



**Коммутаторы для Центров Обработки Данных**

**MES5448**

**Руководство по эксплуатации, версия ПО 8.4.0.3**

<b>Версия документа</b>	<b>Дата выпуска</b>	<b>Содержание изменений</b>
Версия 1.0	12.10.2018	Первая публикация.
<b>Версия программного обеспечения</b>	<b>8.4.0.3</b>	

## СОДЕРЖАНИЕ

1	ВВЕДЕНИЕ.....	42
2	ОПИСАНИЕ ИЗДЕЛИЯ.....	43
2.1	Назначение.....	43
2.2	Функции коммутатора.....	43
2.2.1	Базовые функции.....	43
2.2.2	Функции при работе с MAC-адресами.....	43
2.2.3	Функции второго уровня сетевой модели OSI.....	44
2.2.4	Функции третьего уровня сетевой модели OSI.....	46
2.2.5	Функции QoS.....	47
2.2.6	Функции обеспечения безопасности.....	47
2.2.7	Функции управления коммутатором.....	48
2.2.8	Функции ЦОД.....	49
2.2.9	Дополнительные функции.....	50
2.3	Основные технические характеристики.....	50
2.4	Конструктивное исполнение.....	52
2.4.1	Внешний вид и описание передней панели MES5448.....	52
2.4.2	Задняя панель устройства.....	53
2.4.3	Боковые панели устройства.....	54
2.4.4	Световая индикация.....	54
2.5	Комплект поставки.....	56
3	УСТАНОВКА И ПОДКЛЮЧЕНИЕ.....	57
3.1	Крепление кронштейнов.....	57
3.2	Установка устройства в стойку.....	57
3.3	Установка модулей питания.....	59
3.4	Подключение питающей сети.....	59
3.5	Установка и удаление SFP-трансиверов.....	60
4	ИСПОЛЬЗОВАНИЕ ИНТЕРФЕЙСА КОМАНДНОЙ СТРОКИ (CLI).....	62
4.1	Синтаксис команд.....	62
4.2	Условные обозначения в описании команд.....	62
4.3	Общие значения параметров.....	63
4.4	Unit/slot/port, правила именования.....	64
4.5	Использование отрицательной формы команд.....	65
4.6	Выполнение команд show.....	65
4.7	Фильтрация вывода данных CLI.....	65
4.8	Модули программного обеспечения.....	66
4.9	Режим ввода команд.....	67
4.10	Автоматическое дополнение и сокращение команд.....	71
4.11	Сообщения об ошибках в командном интерфейсе.....	71
4.12	Правила редактирования командной строки.....	72
4.13	Использование справки командного интерфейса.....	73
4.14	Доступ к командному интерфейсу.....	73
4.15	Программное управление кнопкой F.....	74
reset-button enable.....	74	
reset-button disable.....	74	
reset-button reload-only.....	74	
no reset-button.....	74	
5	КОМАНДЫ БАЗОВОЙ РАБОТЫ СИСТЕМЫ.....	76
5.1	Команды автоматической установки.....	76
boot autoinstall.....	77	
boot host retrycount.....	77	
boot host dhcp.....	77	

boot host autosave.....	77
boot host autoreboot.....	78
erase startup-config .....	78
erase factory-defaults .....	78
copy <url> backup .....	79
boot system backup .....	79
exception protocol .....	79
exception switch-chip-register.....	79
exception dump stack-ip-address protocol.....	80
no debug crashlog verbose .....	80
5.2 Фильтрация вывода CLI.....	80
show xxx include "string" .....	80
show xxx include "string" exclude "string2" .....	80
show xxx exclude "string" .....	80
show xxx begin "string" .....	80
show xxx section "string" .....	81
show xxx section "string" "string2" .....	81
show xxx section "string" include "string2" .....	81
show xxx no-more .....	81
5.3 Команды работы с ПО.....	81
delete .....	81
boot system.....	82
show bootvar.....	82
filedescr .....	82
5.4 Вывод информации о системе и статистики.....	82
load-interval .....	82
show arp switch.....	83
show eventlog .....	83
show hardware.....	83
show version.....	84
show platform vpd .....	84
show interface .....	85
show interfaces status.....	87
show interfaces traffic.....	88
show interface counters.....	88
show interfaces description .....	89
show interface ethernet.....	89
show interface ethernet switchport .....	97
show fiber-ports optical-transceiver .....	97
show fiber-ports optical-transceiver-info .....	98
show mac-addr-table .....	99
process cpu threshold .....	100
show process app-list.....	101
show process app-resource-list.....	102
show process cpu .....	102
show process proc-list.....	103
show running-config.....	103
show running-config interface .....	104
show .....	105
dir .....	105
show sysinfo .....	105
show tech-support .....	106
length value.....	106
terminal length.....	106

show terminal length.....	107
memory free low-watermark processor.....	107
clear mac-addr-table.....	107
5.5 Команды бокс-сервисов.....	108
environment temprange.....	108
environment trap.....	108
show environment.....	109
5.6 Настройка системного журнала .....	109
logging buffered.....	109
logging buffered wrap.....	109
logging cli-command.....	110
logging console .....	110
logging host.....	110
logging host reconfigure .....	111
logging host remove .....	111
logging protocol .....	111
logging syslog.....	112
logging syslog port.....	112
logging syslog source-interface.....	112
show logging .....	113
show logging buffered .....	114
show logging hosts.....	114
show logging persistent .....	115
show logging traplogs .....	115
clear logging buffered.....	116
5.7 Настройка оповещений по электронной почте и почтового сервера .....	116
logging email.....	116
logging email urgent .....	116
logging email message-type to-addr .....	117
logging email from-addr .....	117
logging email message-type subject.....	117
logging email logtime.....	118
logging traps .....	118
logging email test message-type .....	119
show logging email config.....	119
show logging email statistics .....	119
clear logging email statistics .....	120
mail-server .....	120
security.....	120
port .....	121
username (в режиме конфигурирования почтового сервера) .....	121
password.....	121
show mail-server config.....	121
5.8 Служебные утилиты и команды очистки .....	122
traceroute .....	122
clear config.....	124
clear counters .....	124
clear igmpsnooping.....	124
clear ip access-list counters .....	124
clear ipv6 access-list counters .....	125
clear mac access-list counters .....	125
clear pass .....	125
clear traplog.....	125
clear vlan.....	125

logout .....	125
ping .....	126
quit .....	127
reload .....	127
copy .....	128
file verify .....	132
write memory .....	133
5.9 Управление лицензиями для расширенных функций .....	133
copy <url> nvram:license-key .....	133
delete license-key .....	133
show license .....	133
show license features .....	133
5.10 Настройка SNTP протокола .....	134
sntp broadcast client poll-interval .....	134
sntp client mode .....	134
sntp client port .....	134
sntp unicast client poll-interval .....	135
sntp unicast client poll-timeout .....	135
sntp unicast client poll-retry .....	135
sntp source-interface .....	136
show sntp .....	137
show sntp client .....	137
show sntp server .....	138
show sntp source-interface .....	138
5.11 Настройка часов реального времени .....	139
clock set .....	139
clock summer-time date .....	139
clock summer-time recurring .....	140
clock timezone .....	140
show clock .....	141
show clock detail .....	141
5.12 Настройка DHCP-сервера .....	141
ip dhcp pool .....	141
client-identifier .....	142
client-name .....	142
default-router .....	142
dns-server .....	143
hardware-address .....	143
host .....	143
lease .....	144
network (в режиме конфигурации пула DHCP) .....	144
bootfile .....	145
domain-name .....	145
domain-name enable .....	145
netbios-name-server .....	146
netbios-node-type .....	146
next-server .....	146
option .....	147
ip dhcp excluded-address .....	147
ip dhcp ping packets .....	148
service dhcp .....	148
ip dhcp bootp automatic .....	148
ip dhcp conflict logging .....	149
clear ip dhcp binding .....	149

clear ip dhcp server statistics.....	149
clear ip dhcp conflict.....	149
show ip dhcp binding.....	149
show ip dhcp global configuration.....	150
show ip dhcp pool configuration.....	150
show ip dhcp server statistics.....	151
show ip dhcp conflict.....	152
5.13 Настройка DNS-клиента.....	152
ip domain lookup.....	152
ip domain name.....	152
ip domain list.....	153
ip name server.....	153
ip name source-interface.....	154
ip host.....	154
ipv6 host.....	154
ip domain retry.....	155
ip domain timeout.....	155
clear host.....	155
show hosts.....	156
show ip name source-interface.....	156
5.14 Управление конфликтами IP-адресов.....	156
ip address-conflict-detect run.....	157
show ip address-conflict.....	157
clear ip address-conflict-detect.....	157
5.15 Команды отслеживания служебных пакетов.....	157
capture start.....	158
capture stop.....	158
capture file   remote   line.....	158
capture remote port.....	159
capture file size.....	159
capture line wrap.....	160
capture usb.....	160
show capture packets.....	160
cpu-traffic direction interface.....	160
cpu-traffic direction match cust-filter.....	161
cpu-traffic direction match srcip.....	162
cpu-traffic direction match dstip.....	162
cpu-traffic direction match tcp.....	162
cpu-traffic direction match udp.....	163
cpu-traffic mode.....	163
cpu-traffic trace.....	163
show cpu-traffic.....	164
show cpu-traffic interface.....	164
show cpu-traffic summary.....	164
show cpu-traffic trace.....	164
clear cpu-traffic.....	165
debug aaa accounting.....	165
debug arp.....	165
debug authentication.....	165
debug auto-voip.....	166
debug clear.....	166
debug aaa authorization.....	166
debug console.....	167
debug crashlog.....	167

debug dcbx packet.....	168
debug debug-config.....	168
debug dhcp packet .....	168
debug dot1ag .....	168
debug dot1x packet.....	169
debug fip-snooping packet.....	169
debug igmpsnooping packet .....	170
debug igmpsnooping packet transmit.....	171
debug igmpsnooping packet receive.....	171
debug ip acl .....	172
debug ip bgp.....	172
debug ip vrrp .....	173
debug ipv6 dhcp .....	174
debug ipv6 ospfv3 packet.....	174
debug lacp packet.....	174
debug mldsnooping packet .....	175
debug ospf packet .....	175
debug ospfv3 packet .....	176
debug ping packet .....	177
debug rip packet.....	177
debug sflow packet .....	178
debug spanning-tree bpdu .....	178
debug spanning-tree bpdu receive .....	179
debug spanning-tree bpdu transmit .....	179
debug tacacs.....	180
debug telnetd start.....	180
debug telnetd stop .....	181
debug transfer .....	181
debug udd events.....	181
debug udd packet receive .....	181
debug udd packet transmit .....	181
show debugging .....	182
exception protocol .....	182
exception dump tftp-server .....	182
exception dump nfs.....	182
exception dump filepath .....	183
exception core-file.....	183
exception switch-chip-register.....	184
exception dump ftp-server.....	184
exception dump compression .....	184
exception dump stack-ip-address protocol.....	185
exception dump stack-ip-address add .....	185
exception dump stack-ip-address remove .....	185
exception nmi.....	186
write core .....	186
debug exception.....	186
show exception .....	186
show exception core-dump-file .....	186
show exception log.....	187
mbuf .....	187
show mbuf total .....	187
show msg-queue .....	188
debug packet-trace .....	188
session start.....	188



session stop.....	189
5.16 Команды тестирования кабеля .....	189
cablestatus.....	189
5.17 Команды sFlow .....	190
sflow poller .....	190
sflow receiver.....	191
sflow receiver owner timeout .....	192
sflow receiver owner notimeout .....	192
sflow remote-agent ip .....	192
sflow remote-agent monitor-session .....	192
sflow remote-agent port.....	193
no sflow remote-agent port .....	193
sflow sampler.....	193
sflow sampler rate .....	194
sflow sampler remote-agent .....	194
sflow sampler filter ip access-group .....	194
sflow sampler filter mac access-group .....	195
sflow source-interface .....	195
show sflow agent.....	196
show sflow pollers .....	196
show sflow receivers.....	196
show sflow remote-agents .....	197
show sflow source-interface.....	197
5.18 Команды настройки SDM-шаблонов.....	198
5.19 Команды удаленного мониторинга .....	199
rmon alarm .....	200
rmon hcalarm.....	201
rmon event .....	202
rmon collection history.....	203
show rmon .....	203
show rmon collection history .....	204
show rmon events .....	205
show rmon history.....	205
show rmon log .....	206
show rmon statistics interfaces.....	207
show rmon hcalarms .....	208
5.20 Управление приложением статистики .....	209
stats group .....	210
stats flow-based.....	210
stats flow-based reporting.....	211
stats group .....	211
stats flow-based.....	212
show stats group.....	212
show stats flow-based .....	212
5.21 Команды для резервирования конфигурации .....	212
backup url <url> .....	212
backup time-period .....	213
backup auto .....	213
backup write-memory .....	213
6 КОМАНДЫ РЕЖИМА СТЕКИРОВАНИЯ.....	214
6.1 Стекирование .....	214
stack .....	214
member .....	214
switch priority.....	215

switch renumber .....	215
movemanagement .....	215
standby .....	216
slot .....	216
set slot disable .....	217
set slot power .....	217
reload (Stack).....	218
stack-status sample-mode .....	218
show slot .....	218
show stack-status .....	219
show supported cardtype .....	219
show switch.....	220
show supported switchtype .....	221
6.2 Команды настройки стек-портов .....	222
stack-port .....	222
show stack-port.....	222
show stack-port counters.....	222
show stack-port diag .....	223
show stack-port stack-path .....	224
6.3 Команды синхронизации ПО в стеке .....	224
boot auto-copy-sw .....	224
boot auto-copy-sw trap.....	224
boot auto-copy-sw allow-downgrade .....	225
show auto-copy-sw .....	225
Команды безостановочной обработки трафика (NSF) .....	225
nsf (Stack Global Config Mode) .....	226
show nsf .....	227
initiate failover .....	228
show checkpoint statistics.....	228
clear checkpoint statistics .....	229
6.4 Команды смешанного стекирования.....	229
stack-template.....	229
show stack-template list .....	230
show stack-template switch.....	230
7 КОМАНДЫ УПРАВЛЕНИЯ .....	231
7.1 Команды настройки интерфейса удалённого управления.....	231
enable (доступ в привилегированный режим).....	231
do (выполнить команду в привилегированном режиме) .....	231
serviceport ip.....	231
serviceport protocol.....	232
serviceport protocol dhcp .....	232
network parms .....	232
network protocol.....	232
network protocol dhcp.....	232
network mac-address.....	233
network mac-type .....	233
network javamode .....	233
show network.....	234
show serviceport .....	235
7.2 Команды для настройки доступа с помощью консольного порта.....	236
configure.....	236
line .....	236
serial baudrate .....	236
serial timeout .....	236

show serial .....	237
7.3 Команды настройки протокола Telnet.....	237
ip telnet server enable .....	237
ip telnet port .....	238
telnet .....	238
transport input telnet .....	238
transport output telnet.....	239
session-limit .....	239
session-timeout .....	239
telnetcon maxsessions.....	240
telnetcon timeout .....	240
show telnet .....	241
show telnetcon .....	241
7.4 Команды настройки протокола SSH.....	241
ip ssh .....	242
ip ssh port .....	242
ip ssh protocol.....	242
ip ssh server enable .....	242
sshcon maxsessions .....	243
sshcon timeout .....	243
show ip ssh.....	243
7.5 Команды управления ключами безопасности .....	244
crypto certificate generate .....	244
crypto key generate rsa .....	244
crypto key generate dsa .....	245
7.6 Команды настройки протоколов HTTP/HTTPS.....	245
ip http accounting exec, ip https accounting exec .....	245
ip http authentication.....	246
ip https authentication .....	246
ip http server.....	247
ip http secure-server.....	247
ip http java .....	247
ip http port.....	248
ip http rest-api port .....	248
ip http rest-api secure-port .....	248
ip http session hard-timeout .....	249
ip http session maxsessions.....	249
ip http session soft-timeout.....	249
ip http secure-session hard-timeout .....	250
ip http secure-session maxsessions.....	250
ip http secure-session soft-timeout.....	251
ip http secure-port.....	251
ip http secure-protocol .....	251
show ip http .....	251
7.7 Команды доступа.....	252
disconnect.....	252
linuxsh .....	253
show loginsession .....	253
show loginsession long .....	253
7.8 Команды настройки контроля учетных записей пользователя .....	253
aaa authentication login .....	254
aaa authentication enable .....	255
aaa authorization .....	256
authorization commands.....	258

authorization exec.....	258
authorization exec default .....	259
show authorization methods .....	259
enable authentication .....	259
username (Режим глобальной конфигурации).....	259
username nopassword .....	260
username unlock.....	261
username snmpv3 accessmode .....	261
username snmpv3 authentication .....	261
username snmpv3 encryption.....	262
username snmpv3 encryption encrypted .....	262
show users.....	262
show users long.....	263
show users accounts .....	263
show users login-history [long] .....	264
show users login-history [username] .....	264
login authentication .....	264
password .....	264
password (Режим конфигурирования командной строки).....	265
password (Пользовательский режим) .....	265
password (Режим конфигурации пользователя IAS aaa) .....	265
enable password (Привилегированный режим) .....	265
passwords min-length .....	266
passwords history.....	266
passwords aging .....	267
passwords lock-out.....	267
passwords strength-check.....	267
passwords strength maximum consecutive-characters.....	268
passwords strength maximum repeated-characters .....	268
passwords strength minimum uppercase-letters .....	268
passwords strength minimum lowercase-letters.....	268
passwords strength minimum numeric-characters .....	269
passwords strength minimum special-characters.....	269
passwords strength minimum character-classes .....	270
passwords strength exclude-keyword.....	270
show passwords configuration.....	270
show passwords result .....	271
aaa accounting .....	271
accounting .....	273
no accounting .....	273
show accounting.....	273
show accounting methods .....	273
clear accounting statistics .....	273
show domain-name.....	273
aaa ias-user username.....	274
aaa session-id .....	274
password (Режим конфигурации пользователя IAS aaa) .....	274
clear aaa ias-users .....	275
show aaa ias-users.....	275
7.9 Команды настройки протокола SNMP .....	275
snmp-server.....	275
snmp-server community .....	276
snmp-server community-group.....	276
snmp-server enable traps violation.....	277

snmp-server enable traps .....	277
snmp-server enable traps bgp .....	277
snmp-server enable traps fip-snooping .....	278
snmp-server port .....	278
snmp trap link-status .....	279
snmp trap link-status all .....	279
snmp-server enable traps linkmode .....	280
snmp-server enable traps multiusers .....	280
snmp-server enable traps stpmode .....	280
snmp-server engineID local .....	281
snmp-server filter .....	281
snmp-server group .....	282
snmp-server host .....	283
snmp-server user .....	283
snmp-server view .....	284
snmp-server v3-host .....	285
snmptrap source-interface .....	285
snmptrap ipaddr snmpversion .....	286
snmptrap ip6addr snmpversion <sup>1</sup> .....	286
show snmp .....	286
show snmp engineID .....	287
show snmp filters .....	287
show snmp group .....	288
show snmp-server .....	288
show snmp source-interface .....	288
show snmp user .....	288
show snmp views .....	289
show trapflags .....	289
7.10 Команды настройки протокола RADIUS .....	290
aaa server radius dynamic-author .....	290
authentication command bounce-port ignore .....	290
auth-type .....	291
authorization network radius .....	291
clear radius dynamic-author statistics .....	291
client .....	291
debug aaa coa .....	292
debug aaa pod .....	292
ignore server-key .....	292
ignore session-key .....	292
port .....	293
radius accounting mode .....	293
radius server attribute 4 .....	293
radius server attribute 95 .....	294
radius server attribute 31 .....	294
radius server host .....	295
radius server key .....	296
radius server msgauth .....	297
radius server primary .....	297
radius server retransmit .....	297
radius source-interface .....	298
radius server timeout .....	298
server-key .....	299
no server-key .....	299
show radius servers .....	299

show radius .....	299
show radius servers.....	300
show radius accounting.....	301
show radius accounting statistics.....	301
show radius source-interface .....	302
show radius statistics .....	302
7.11 Команды настройки протокола TACACS+ .....	303
tacacs-server host .....	304
tacacs-server key .....	304
tacacs-server keystring.....	304
tacacs-server source-interface .....	305
tacacs-server timeout.....	305
key .....	306
keystring .....	306
port .....	306
priority (Режим конфигурации TACACS).....	306
timeout.....	306
show tacacs .....	307
show tacacs source-interface .....	307
7.12 Команды сценариев конфигурации.....	307
script apply .....	308
script delete.....	308
script list .....	308
script show .....	309
script validate .....	309
7.13 Команды настройки баннера, подсказки командной строки и имени устройства.....	309
copy (pre-login banner).....	309
set prompt.....	310
hostname.....	310
show clibanner .....	310
set clibanner .....	310
8 КОМАНДЫ НАСТРОЙКИ КОММУТАЦИИ .....	311
8.1 Команды настройки порта.....	311
interface .....	311
auto-negotiate.....	311
auto-negotiate all.....	312
description.....	312
media-type .....	312
mtu .....	313
shutdown.....	313
shutdown all .....	314
speed .....	314
speed all.....	315
show interface media-type .....	315
show interfaces status.....	315
show port .....	316
show port advertise.....	317
show port description .....	317
8.2 Команды настройки протокола STP.....	318
spanning-tree .....	318
spanning-tree auto-edge.....	318
spanning-tree backbonefast.....	319
spanning-tree bpdudfilter .....	320
spanning-tree bpdudfilter default.....	320

spanning-tree bpduflood .....	320
spanning-tree bpduguard .....	321
spanning-tree bpdumigrationcheck.....	321
spanning-tree configuration name .....	321
spanning-tree configuration revision .....	322
spanning-tree cost .....	322
spanning-tree edgeport .....	322
spanning-tree forward-time .....	323
spanning-tree guard .....	323
spanning-tree max-age .....	323
spanning-tree max-hops .....	324
spanning-tree mode .....	324
spanning-tree mst.....	325
spanning-tree mst instance .....	326
spanning-tree mst priority.....	326
spanning-tree mst vlan .....	327
spanning-tree port mode.....	327
spanning-tree port mode all .....	327
spanning-tree port-priority.....	328
spanning-tree tcnguard .....	328
spanning-tree transmit .....	328
spanning-tree uplinkfast.....	329
spanning-tree vlan .....	329
spanning-tree vlan cost.....	330
spanning-tree vlan forward-time.....	330
spanning-tree vlan hello-time.....	330
spanning-tree vlan max-age .....	330
spanning-tree vlan root .....	331
spanning-tree vlan port-priority .....	331
spanning-tree vlan priority .....	332
show spanning-tree .....	332
show spanning-tree active.....	333
show spanning-tree backbonefast.....	333
show spanning-tree brief.....	333
show spanning-tree interface.....	334
show spanning-tree mst detailed .....	335
show spanning-tree mst port detailed .....	335
show spanning-tree mst port summary .....	337
show spanning-tree mst port summary active.....	338
show spanning-tree mst summary .....	338
show spanning-tree summary .....	338
show spanning-tree uplinkfast .....	339
show spanning-tree vlan.....	339
spanning-tree mac-address dot1d.....	340
spanning-tree mac-address dot1ad.....	340
spanning-tree mac-address auto .....	340
8.3 Команды настройки защиты от петель.....	341
keepalive (режим глобальной конфигурации) .....	341
keepalive (режим конфигурирования интерфейса).....	341
keepalive action .....	341
keepalive disable-timer.....	342
keepalive disable-timer.....	342
keepalive retry .....	342
show keepalive .....	343

show keepalive statistics .....	343
clear counters keepalive.....	343
8.4 Команды настройки VLAN .....	343
vlan database .....	343
network mgmt_vlan .....	344
vlan .....	344
vlan acceptframe.....	344
vlan ingressfilter .....	345
vlan internal allocation.....	345
vlan makestatic.....	346
vlan name .....	346
vlan participation.....	346
vlan participation all.....	346
vlan port acceptframe all .....	347
vlan port ingressfilter all.....	348
vlan port pvid all.....	348
vlan port tagging all.....	348
vlan protocol group .....	349
vlan protocol group name .....	349
vlan protocol group add protocol .....	349
protocol group.....	350
protocol vlan group .....	350
protocol vlan group all .....	350
show port protocol.....	351
vlan pvid .....	351
vlan tagging .....	352
vlan association subnet .....	352
vlan association mac .....	352
remote-span .....	352
show vlan.....	353
show vlan tag.....	354
show vlan internal usage.....	354
show vlan brief .....	354
show vlan port.....	355
show vlan association subnet.....	356
show vlan association mac .....	356
8.5 Команды настройки Double VLAN .....	357
dvlan-tunnel ethertype (режим конфигурирования интерфейса) .....	357
dvlan-tunnel ethertype primary-tpid .....	357
mode dot1q-tunnel .....	358
mode dvlan-tunnel .....	358
show dot1q-tunnel .....	359
8.6 Команды настройки Private VLAN .....	359
switchport private-vlan .....	359
switchport mode private-vlan .....	360
private-vlan.....	361
8.7 Настройка портов коммутатора .....	361
switchport mode .....	361
switchport trunk allowed vlan.....	362
switchport trunk native vlan .....	363
switchport access vlan.....	363
show interfaces switchport .....	364
show interfaces switchport .....	364
8.8 Команды настройки Voice VLAN.....	364



voice vlan (режим глобальной конфигурации) .....	364
voice vlan (режим конфигурирования интерфейса) .....	365
voice vlan data priority .....	365
show voice vlan .....	365
8.9 Команды настройки моста провайдера .....	366
Команды настройки туннелирования данных .....	366
dot1ad mode .....	367
dot1ad service .....	367
subscribe match untagged-pkt .....	369
subscribe match priority .....	369
subscribe match cvid .....	369
subscribe match cvid priority .....	370
subscribe match svid .....	370
subscribe match svid cvid .....	370
subscribe .....	370
show dot1ad service .....	370
show dot1ad service-subscription .....	370
Команды настройки туннелирования протоколов L2 .....	372
dot1ad l2tunnel .....	372
no dot1ad l2tunnel .....	373
show dot1ad mode .....	373
show dot1ad l2tunnel .....	373
8.10 Команды настройки распределения ресурсов (IEEE 802.1p) .....	373
vlan port priority all .....	374
vlan priority .....	374
8.11 Команды настройки сквозного режима (ASF) .....	374
cut-through mode .....	374
show cut-through mode .....	374
8.12 Настройки асимметричного управление потоком .....	375
flowcontrol {symmetric   asymmetric} .....	375
flowcontrol .....	375
show flowcontrol .....	376
8.13 Настройка защищенных портов .....	376
switchport protected (режим глобальной конфигурации) .....	376
switchport protected (режим конфигурирования интерфейса) .....	377
show switchport protected .....	377
show interfaces switchport .....	377
8.14 Команды настройки протокола GARP .....	378
set garp timer join .....	378
set garp timer leave .....	378
set garp timer leaveall .....	379
show garp .....	379
8.15 Команды настройки протокола GVRP .....	380
set gvrp adminmode .....	380
set gvrp interfacemode .....	380
show gvrp configuration .....	380
show mac-address-table gmrp .....	381
8.16 Команды настройки управления сетевым доступом на основе портов .....	382
aaa authentication dot1x default .....	382
clear dot1x statistics .....	382
clear dot1x authentication-history .....	382
clear radius statistics .....	382
dot1x eapolflood .....	383
dot1x dynamic-vlan enable .....	383

dot1x guest-vlan.....	383
dot1x initialize .....	384
dot1x max-req .....	384
dot1x max-users .....	384
dot1x port-control.....	384
dot1x port-control all .....	385
dot1x mac-auth-bypass.....	385
dot1x re-authenticate .....	386
dot1x re-authentication .....	386
dot1x system-auth-control.....	386
dot1x system-auth-control monitor.....	387
dot1x timeout.....	387
dot1x unauthenticated-vlan.....	388
dot1x user.....	389
authentication enable .....	389
authentication order .....	389
authentication priority .....	390
authentication timer restart.....	390
show authentication authentication-history .....	390
show authentication interface .....	391
show authentication statistics.....	391
show authentication methods .....	392
show authentication statistics.....	392
clear authentication statistics .....	392
clear authentication authentication-history .....	393
show dot1x .....	393
show dot1x authentication-history .....	397
show dot1x clients.....	397
show dot1x users.....	398
8.17 Команды клиента 802.1X .....	398
dot1x pae.....	398
dot1x supplicant port-control .....	398
dot1x supplicant max-start.....	399
dot1x supplicant timeout start-period .....	399
dot1x supplicant timeout held-period .....	400
dot1x supplicant timeout auth-period .....	400
dot1x supplicant user .....	400
show dot1x statistics .....	400
8.18 Авторизация на основе задач .....	401
usergroup .....	401
taskgroup.....	402
username usergroup .....	402
description (режим настройки групп пользователей).....	402
inherit usergroup.....	402
taskgroup (режим настройки групп пользователей).....	403
description (режим настройки групп задач) .....	403
inherit taskgroup .....	403
task [read] [write] [debug] [execute] .....	403
show aaa usergroup .....	404
show aaa taskgroup.....	404
show aaa userdb.....	404
8.19 Команды настройки контроля шторма .....	404
storm-control broadcast .....	405
storm-control broadcast action.....	405

storm-control broadcast level .....	406
storm-control broadcast rate .....	406
storm-control multicast .....	407
storm-control multicast action .....	407
storm-control multicast level.....	408
storm-control multicast rate.....	408
storm-control unicast .....	409
storm-control unicast action .....	409
storm-control unicast level.....	410
storm-control unicast rate.....	410
show storm-control .....	411
8.20 Команды настройки установления зависимости состояния соединений .....	411
no link state track .....	411
link state group .....	412
link state group downstream.....	412
link state group upstream.....	412
show link state group.....	413
show link state group detail.....	413
8.21 Команды настройки LLPF .....	413
llpf .....	413
show llpf interface .....	413
8.22 Команды настройки MVR.....	414
mvr .....	414
mvr group .....	414
mvr immediate.....	414
mvr mode.....	415
mvr querytime .....	415
mvr type.....	415
mvr vlan .....	416
mvr vlan group.....	416
show mvr .....	416
show mvr members .....	416
show mvr interface .....	417
show mvr traffic.....	417
debug mvr trace.....	417
debug mvr packet .....	417
8.23 Команды настройки агрегированного интерфейса (802.3ad).....	417
port-channel .....	418
addport .....	418
deleteport (режим конфигурирования интерфейса).....	418
deleteport (Global Config).....	419
lacp admin key .....	419
lacp collector max-delay .....	419
lacp actor admin key.....	420
lacp actor admin state individual.....	420
lacp actor admin state longtimeout .....	420
lacp actor admin state passive.....	421
lacp actor admin state .....	421
lacp actor port priority.....	422
lacp partner admin key .....	422
lacp partner admin state individual.....	423
lacp partner admin state longtimeout.....	423
lacp partner admin state passive.....	423
lacp partner port id.....	424

lacp partner port priority.....	424
lacp partner system-id.....	425
lacp partner system priority .....	425
interface lag.....	425
port-channel static .....	426
port lacpmode .....	426
port lacpmode enable all.....	426
port lacptimeout (Interface Config) .....	427
port lacptimeout (Global Config).....	427
port-channel adminmode .....	427
port-channel linktrap.....	428
port-channel load-balance .....	428
port-channel local-preference .....	429
port-channel min-links .....	429
port-channel name.....	430
port-channel system priority.....	430
show hashdest.....	430
show lacp actor .....	431
show lacp partner.....	431
show port-channel brief.....	432
show port-channel .....	432
show port-channel system priority .....	433
show port-channel counters .....	433
clear port-channel counters.....	434
clear port-channel all counters .....	434
8.24 Команды настройки протокола VPC .....	434
vpc domain .....	434
feature vpc .....	435
peer detection enable .....	435
peer detection interval.....	435
peer-keepalive destination.....	436
peer-keepalive enable .....	436
peer-keepalive timeout.....	436
role priority.....	437
system-mac .....	437
system-priority .....	438
vpc .....	438
vpc peer-link.....	439
show running-config vpc .....	439
show vpc.....	439
show vpc brief .....	439
show vpc consistency-parameters .....	439
show vpc peer-keepalive .....	439
show vpc role .....	440
show vpc statistics.....	440
clear vpc statistics .....	440
debug vpc peer-keepalive .....	440
debug vpc peer-link data-message.....	440
debug vpc peer-link control-message async .....	440
debug vpc peer-link control-message bulk .....	441
debug vpc peer-link control-message ckpt .....	441
debug vpc peer detection .....	441
8.25 Команды настройки зеркалирования интерфейсов .....	441
monitor session source .....	441

monitor session destination .....	442
monitor session filter .....	443
monitor session mode .....	443
no monitor session .....	443
no monitor .....	443
show monitor session .....	444
show vlan remote-span .....	444
8.26 Команды настройки статичной MAC-фильтрации .....	445
macfilter .....	445
macfilter adddest .....	445
macfilter adddest all .....	446
macfilter addsrc .....	446
macfilter addsrc all .....	446
show mac-address-table static .....	447
show mac-address-table staticfiltering .....	447
8.27 Настройка агента DHCP-ретранслятора уровня 2 .....	448
dhcp l2relay .....	448
dhcp l2relay circuit-id subscription .....	448
dhcp l2relay remote-id subscription .....	449
dhcp l2relay subscription .....	450
dhcp l2relay trust .....	450
dhcp l2relay vlan .....	450
dhcp l2relay remote-id vlan .....	450
show dhcp l2relay all .....	451
show dhcp l2relay circuit-id vlan .....	451
dhcp l2relay circuit-id vlan .....	451
show dhcp l2relay interface .....	451
show dhcp l2relay remote-id vlan .....	451
show dhcp l2relay stats interface .....	452
show dhcp l2relay subscription interface .....	452
show dhcp l2relay agent-option vlan .....	452
show dhcp l2relay vlan .....	452
clear dhcp l2relay statistics interface .....	452
8.28 Команды настройки DHCP-клиента .....	453
dhcp client vendor-id-option .....	453
dhcp client vendor-id-option-string .....	453
show dhcp client vendor-id-option .....	453
8.29 Команды настройки DHCP Snooping .....	453
ip dhcp snooping .....	453
ip dhcp snooping vlan .....	454
ip dhcp snooping verify mac-address .....	454
ip dhcp snooping database .....	454
ip dhcp snooping database write-delay .....	455
ip dhcp snooping binding .....	455
ip dhcp filtering trust .....	455
ip verify binding .....	455
ip dhcp snooping limit .....	456
ip dhcp snooping log-invalid .....	456
ip dhcp snooping trust .....	456
ip verify source .....	457
show ip dhcp snooping .....	457
show ip dhcp snooping binding .....	457
show ip dhcp snooping database .....	458
show ip dhcp snooping interfaces .....	458

show ip dhcp snooping statistics.....	458
clear ip dhcp snooping binding.....	459
clear ip dhcp snooping statistics .....	459
show ip verify source.....	459
show ip verify interface.....	459
show ip source binding.....	460
<b>8.30 Команды настройки Dynamic ARP Inspection .....</b>	<b>460</b>
ip arp inspection vlan .....	460
ip arp inspection validate .....	461
ip arp inspection vlan logging.....	461
ip arp inspection trust .....	461
ip arp inspection limit.....	462
ip arp inspection filter .....	462
arp access-list .....	463
permit ip host mac host .....	463
show ip arp inspection .....	463
show ip arp inspection statistics .....	464
clear ip arp inspection statistics .....	464
show ip arp inspection interfaces .....	464
show arp access-list.....	465
<b>8.31 Команды настройки IGMP Snooping .....</b>	<b>465</b>
set igmp .....	465
set igmp header-validation .....	466
set igmp interfacemode .....	466
set igmp fast-leave .....	467
set igmp groupmembership-interval.....	467
set igmp maxresponse.....	468
set igmp mcrtextpiretime.....	468
set igmp mrouter.....	469
set igmp mrouter interface .....	469
set igmp report-suppression .....	469
show igmpsnooping .....	470
show igmpsnooping mrouter interface.....	471
show igmpsnooping mrouter vlan .....	471
show igmpsnooping ssm .....	472
show mac-address-table igmpsnooping .....	472
<b>8.32 Команды настройки опрашивающего устройства IGMP Snooping.....</b>	<b>472</b>
set igmp querier .....	473
set igmp querier query-interval .....	473
set igmp querier timer expiry.....	474
set igmp querier version.....	474
set igmp querier election participate.....	474
show igmpsnooping querier.....	475
<b>8.33 Команды настройки MLD Snooping.....</b>	<b>476</b>
set mld.....	476
set mld interfacemode .....	477
set mld fast-leave .....	477
set mld groupmembership-interval .....	478
set mld maxresponse .....	478
set mld mcrtextpiretime .....	479
set mld mrouter.....	479
set mld mrouter interface .....	479
show mldsnooping .....	480
show mldsnooping mrouter interface.....	480

show mldsnoothing mrouter vlan.....	481
show mldsnoothing ssm entries .....	481
show mldsnoothing ssm stats .....	482
show mldsnoothing ssm groups.....	482
show mac-address-table mldsnoothing.....	482
clear mldsnoothing .....	483
8.34 Команды настройки опрашивающего устройства MLD Snooping.....	483
set mld querier.....	483
set mld querier query_interval .....	484
set mld querier timer expiry .....	484
set mld querier election participate .....	484
show mldsnoothing querier .....	485
8.35 Команды настройки Port Security .....	486
port-security .....	486
port-security max-dynamic.....	487
port-security max-static.....	487
port-security mac-address.....	487
port-security mac-address move .....	488
port-security mac-address sticky .....	488
mac-address-table limit .....	488
show port-security.....	489
show port-security dynamic .....	489
show port-security static .....	490
show port-security violation .....	490
show mac-address-table limit.....	490
8.36 Команды настройки протокола LLDP (802.1AB) .....	491
lldp transmit.....	491
lldp receive.....	491
lldp timers .....	491
lldp transmit-tlv .....	492
lldp transmit-mgmt.....	492
lldp notification.....	493
lldp notification-interval .....	493
clear lldp statistics .....	493
clear lldp remote-data .....	493
show lldp.....	494
show lldp interface .....	494
show lldp statistics.....	494
show lldp remote-device .....	495
show lldp remote-device detail .....	495
show lldp local-device.....	496
show lldp local-device detail.....	496
8.37 Команды настройки LLDP-MED .....	497
lldp med .....	497
lldp med confignotification.....	497
lldp med transmit-tlv .....	498
lldp med all .....	498
lldp med confignotification all .....	498
lldp med faststartrepeatcount.....	498
lldp med transmit-tlv all.....	499
show lldp med.....	499
show lldp med interface .....	499
show lldp med local-device detail .....	499
show lldp med remote-device .....	499

show lldp med remote-device detail.....	500
8.38 Команды настройки управления DoS.....	500
dos-control all.....	501
dos-control sipdip.....	501
dos-control firstfrag.....	501
dos-control tcpfrag.....	502
dos-control tcpflag.....	502
dos-control l4port.....	502
dos-control smacdmac.....	503
dos-control tcpport.....	503
dos-control udpport.....	503
dos-control tcpflagseq.....	504
dos-control tcpoffset.....	504
dos-control tcpsyn.....	504
dos-control tcpsynfin.....	505
dos-control tcpfinurgpsh.....	505
dos-control icmpv4.....	505
dos-control icmpv6.....	506
dos-control icmpfrag.....	506
show dos-control.....	506
8.39 Команды настройки таблиц MAC-адресов.....	508
bridge aging-time.....	508
show forwardingdb agetime.....	508
show mac-address-table multicast.....	508
show mac-address-table stats.....	509
8.40 Команды настройки ISDP.....	509
isdip run.....	509
isdip holdtime.....	510
isdip timer.....	510
isdip advertise-v2.....	510
isdip enable.....	510
clear isdip counters.....	511
clear isdip table.....	511
show isdip.....	511
show isdip interface.....	512
show isdip entry.....	512
show isdip traffic.....	512
debug isdip packet.....	513
8.41 Команды настройки протокола EFM OAM.....	513
ethernet oam.....	514
ethernet oam timeout.....	514
ethernet oam min-rate.....	514
ethernet oam max-rate.....	514
ethernet oam mode.....	515
ethernet oam remote-loopback.....	515
ethernet oam remote-loopback start.....	515
ethernet oam remote-loopback stop.....	515
ethernet oam link-monitor supported.....	516
ethernet oam link-monitor.....	516
ethernet oam link-monitor frame.....	516
ethernet oam link-monitor frame-period.....	517
ethernet oam link-monitor frame-seconds.....	517
show ethernet oam statistics.....	518
show ethernet oam interface.....	518



show ethernet oam discovery .....	518
show ethernet oam status.....	518
show ethernet oam mode .....	518
show ethernet oam link-monitor.....	518
show ethernet oam summary .....	518
debug dot3ah packet .....	519
clear ethernet oam statistics .....	519
loopback-test .....	519
8.42 Команды настройки протокола CFM.....	519
ethernet cfm domain.....	520
service vlan .....	520
ethernet cfm enable .....	520
ethernet cfm cc level vlan interval .....	520
ethernet cfm mep archive-hold-time .....	521
ethernet cfm mep level .....	521
ethernet cfm mep enable .....	522
ethernet cfm mep active .....	523
ethernet cfm mip level.....	523
ping ethernet cfm mac.....	524
ping ethernet cfm remote-mpid .....	524
traceroute ethernet cfm mac .....	525
traceroute ethernet cfm remote-mpid.....	525
show ethernet cfm domain .....	526
show ethernet cfm domain brief.....	526
show ethernet cfm maintenance-points local domain.....	526
show ethernet cfm maintenance-points local interface .....	527
show ethernet cfm errors.....	528
show ethernet cfm errors domain.....	528
show ethernet cfm errors level .....	529
show ethernet cfm maintenance-points remote domain .....	529
show ethernet cfm maintenance-points remote level.....	530
show ethernet cfm maintenance-points remote detail mac.....	530
show ethernet cfm maintenance-points remote detail mpid .....	531
show ethernet cfm traceroute-cache.....	531
show ethernet cfm statistics.....	531
clear ethernet cfm maintenance-points remote .....	532
clear ethernet cfm traceroute-cache.....	532
8.43 Команды настройки функции Interface Error Disable и Auto Recovery .....	532
errdisable recovery cause .....	532
errdisable recovery interval.....	533
show errdisable recovery.....	533
show interfaces status err-disabled.....	534
8.44 Команды настройки UDLD.....	534
udld enable (Global Config) .....	535
udld message time.....	535
udld timeout interval .....	535
udld reset.....	535
udld enable (Interface Config) .....	535
udld port .....	536
show udld.....	536
show udld.....	536
9 КОМАНДЫ НАСТРОЙКИ ФУНКЦИОНАЛА DATA CENTER .....	538
9.1 Команды настройки протокола DCBX .....	538
lldp dcbx version .....	538

lldp tlv-select dcbxp.....	539
lldp dcbx port-role.....	539
show lldp tlv-select.....	540
show lldp dcbx interface.....	541
traffic-class-group max-bandwidth.....	541
traffic-class-group min-bandwidth.....	542
traffic-class-group strict.....	543
traffic-class-group weight.....	544
show classofservice traffic-class-group.....	544
Расширенный выбор режима передачи и Traffic Class Group.....	544
classofservice traffic-class-group.....	544
9.2 Команды настройки FIP Snooping.....	545
feature fip-snooping.....	546
fip-snooping enable.....	546
fip-snooping fc-map.....	547
fip-snooping port-mode.....	547
show fip-snooping.....	548
show fip-snooping enode.....	548
show fip-snooping fcf.....	549
show fip-snooping sessions.....	550
show fip-snooping statistics.....	552
show fip-snooping vlan.....	553
clear fip-snooping statistics.....	554
9.3 Команды настройки протокола OpenFlow.....	554
openflow enable.....	554
openflow static-ip.....	555
openflow controller.....	555
openflow default-table.....	556
openflow ip-mode.....	556
openflow passive-mode.....	556
openflow variant.....	557
clear openflow ca-cert.....	557
show openflow.....	557
show openflow configured controller.....	558
show openflow installed flows.....	558
show openflow installed groups.....	559
show openflow table-status.....	559
9.4 Команды настройки управления потоком на основании приоритета.....	560
priority-flow-control mode.....	560
priority-flow-control priority.....	561
clear priority-flow-control statistics.....	562
show interface priority-flow-control.....	562
9.5 Команды настройки QCN.....	563
qcn enable.....	563
qcn cnm-transmit-priority.....	563
qcn snpv-priority (datacenter bridging config).....	564
qcn snpv-priority alternate-priority.....	564
qcn snpv-priority cp-creation.....	565
qcn snpv-priority defense-mode-choice.....	565
qcn snpv-priority.....	565
qcn snpv-priority alternate-priority.....	566
qcn transmit-tlv enable.....	566
clear qcn statistics.....	567
show qcn priority.....	567

show qcn active priority.....	567
show qcn interface.....	568
show qcn statistics.....	568
10 КОМАНДЫ НАСТРОЙКИ МАРШРУТИЗАЦИИ.....	569
10.1 Команды настройки протокола ARP.....	569
arp.....	569
ip proxy-arp.....	570
ip local-proxy-arp.....	570
arp cachesize.....	570
arp dynamicrenew.....	571
arp purge.....	571
arp resptime.....	572
arp retries.....	572
arp timeout.....	572
clear arp-cache.....	573
clear arp-switch.....	573
show arp.....	573
show arp brief.....	574
show arp switch.....	574
10.2 Команды настройки IP-маршрутизации.....	575
routing.....	575
ip routing.....	575
ip address.....	575
ip address dhcp.....	576
ip default-gateway.....	576
ip load-sharing.....	577
ip route.....	578
ip route default.....	578
ip route distance.....	579
ip route net-prototype.....	579
ip netdirbcast.....	580
ip mtu.....	580
release dhcp.....	581
renew dhcp.....	581
renew dhcp network-port.....	581
renew dhcp service-port.....	581
encapsulation.....	581
show dhcp lease.....	582
show ip brief.....	582
show ip interface.....	583
show ip interface brief.....	584
show ip load-sharing.....	584
show ip protocols.....	584
show ip route.....	587
show ip route ecmp-groups.....	588
show ip route hw-failure.....	589
show ip route net-prototype.....	589
show ip route summary.....	589
clear ip route counters.....	591
show ip route preferences.....	591
show ip stats.....	592
show routing heap summary.....	592
10.3 Команды настройки политик маршрутизации.....	593
ip policy route-map.....	593

ip prefix-list.....	593
ip prefix-list description.....	595
ipv6 prefix-list.....	595
route-map.....	597
match as-path.....	597
match community.....	598
match ip address.....	598
match ip address <access-list-number   access-list-name>.....	599
match ipv6 address.....	600
match length.....	600
match mac-list.....	600
set as-path.....	601
set comm-list delete.....	602
set community.....	602
set interface.....	603
set ip next-hop.....	603
set ip default next-hop.....	603
set ip precedence.....	604
set ipv6 next-hop (BGP).....	605
set local-preference.....	605
set metric (BGP).....	606
show ip policy.....	606
show ip prefix-list.....	606
show ipv6 prefix-list.....	607
show route-map.....	608
clear ip prefix-list.....	609
clear ipv6 prefix-list.....	609
10.4 Команды Router Discovery Protocol.....	609
ip irdp.....	609
ip irdp address.....	610
ip irdp holdtime.....	610
ip irdp maxadvertinterval.....	610
ip irdp minadvertinterval.....	611
ip irdp multicast.....	611
ip irdp preference.....	611
show ip irdp.....	612
10.5 Команды настройки виртуального маршрутизатора.....	613
ip vrf.....	613
maximum routes.....	613
description.....	614
ip vrf forwarding.....	614
show ip vrf.....	614
10.6 Команды настройки маршрутизации сети VLAN.....	615
vlan routing.....	615
interface vlan.....	615
show ip vlan.....	615
10.7 Команды настройки протокола VRRP.....	616
ip vrrp (режим глобальной конфигурации).....	616
ip vrrp (режим конфигурирования интерфейса).....	616
ip vrrp mode.....	617
ip vrrp ip.....	617
ip vrrp accept-mode.....	618
ip vrrp authentication.....	618
ip vrrp preempt.....	618

ip vrrp priority .....	619
ip vrrp timers advertise.....	619
ip vrrp track interface .....	620
ip vrrp track ip route .....	620
show ip vrrp interface stats .....	621
show ip vrrp .....	622
show ip vrrp interface.....	622
show ip vrrp interface brief .....	623
10.8 Команды настройки протокола VRRPv3.....	623
fhrp version vrrp v3 .....	624
snmp-server enable traps vrrp .....	624
vrrp .....	624
preempt .....	625
accept-mode .....	625
priority .....	626
timers advertise .....	626
shutdown .....	627
address.....	627
track interface.....	628
track ip route .....	628
clear vrrp statistics.....	629
show vrrp .....	629
show vrrp brief.....	630
show vrrp statistics .....	630
10.9 Команды настройки DHCP- и BOOTP-ретрансляторов.....	631
bootpdhcprelay cidoptmode .....	631
bootpdhcprelay maxhopcount .....	631
bootpdhcprelay minwaittime .....	632
bootpdhcprelay serverip.....	632
bootpdhcprelay enable.....	632
show bootpdhcprelay .....	633
show ip bootpdhcprelay .....	633
10.10 Команды настройки IP Helper .....	634
clear ip helper statistics .....	635
ip helper-address (глобальная конфигурация) .....	636
ip helper-address (конфигурирование интерфейса) .....	637
ip helper enable .....	638
show ip helper-address.....	638
show ip helper statistics .....	639
10.11 Команды настройки протокола OSPF.....	640
Общие команды настройки OSPF .....	640
router ospf .....	640
enable .....	641
network area.....	641
1583compatibility .....	641
area default-cost.....	642
area nssa .....	642
area nssa default-info-originate .....	642
area nssa no-redistribute.....	642
area nssa no-summary.....	643
area nssa translator-role.....	643
area nssa translator-stab-intv.....	643
area range .....	644
area stub .....	645

area stub no-summary .....	645
area virtual-link .....	646
area virtual-link authentication .....	646
area virtual-link dead-interval .....	646
area virtual-link hello-interval .....	647
area virtual-link retransmit-interval .....	647
area virtual-link transmit-delay .....	647
auto-cost .....	648
capability opaque .....	648
clear ip ospf .....	649
clear ip ospf configuration .....	649
clear ip ospf counters .....	649
clear ip ospf neighbor .....	649
clear ip ospf neighbor interface .....	649
clear ip ospf redistribution .....	650
default-information originate .....	650
default-metric .....	650
distance ospf .....	650
distribute-list out .....	651
exit-overflow-interval .....	651
external-lsdb-limit .....	652
log-adjacency-changes .....	652
prefix-suppression .....	653
prefix-suppression .....	653
router-id .....	653
redistribute .....	654
maximum-paths .....	654
passive-interface default .....	654
passive-interface .....	655
timers pacing flood .....	655
timers pacing lsa-group .....	656
timers spf .....	656
trapflags .....	656
Команды настройки протокола на OSPF-интерфейсе .....	658
ip ospf area .....	658
bandwidth .....	658
ip ospf authentication .....	658
ip ospf cost .....	659
ip ospf database-filter all out .....	659
ip ospf dead-interval .....	660
ip ospf hello-interval .....	660
ip ospf network .....	660
ip ospf prefix-suppression .....	661
ip ospf priority .....	661
ip ospf retransmit-interval .....	662
ip ospf transmit-delay .....	662
ip ospf mtu-ignore .....	663
Команды настройки функции IP Event Dampening .....	663
dampening .....	663
show dampening interface .....	664
show interface dampening .....	664
Команды настройки OSPF Graceful Restart .....	665
nsf .....	665
nsf restart-interval .....	666

nsf helper .....	666
nsf ietf helper disable .....	667
nsf helper strict-lsa-checking .....	667
Команды настройки функции OSPFv2 Stub Router .....	667
max-metric router-lsa .....	667
clear ip ospf stub-router .....	668
Команды просмотра оперативного состояния устройства для протокола OSPF .....	669
show ip ospf .....	669
show ip ospf abr .....	672
show ip ospf area .....	672
show ip ospf asbr .....	674
show ip ospf database .....	674
show ip ospf database database-summary .....	675
show ip ospf interface .....	676
show ip ospf interface brief .....	677
show ip ospf interface stats .....	678
show ip ospf lsa-group .....	680
show ip ospf neighbor .....	680
show ip ospf range .....	683
show ip ospf statistics .....	684
show ip ospf stub table .....	685
show ip ospf traffic .....	685
show ip ospf virtual-link .....	686
show ip ospf virtual-link brief .....	686
10.12 Команды настройки протокола RIP .....	687
router rip .....	687
enable (RIP) .....	687
ip rip .....	687
auto-summary .....	688
default-information originate (RIP) .....	688
default-metric (RIP) .....	688
distance rip .....	689
distribute-list out (RIP) .....	689
ip rip authentication .....	689
ip rip receive version .....	690
ip rip send version .....	690
hostroutesaccept .....	690
split-horizon .....	691
redistribute (RIP) .....	691
show ip rip .....	692
show ip rip interface brief .....	692
show ip rip interface .....	693
10.13 Команды регулирования ICMP-сообщений .....	694
ip unreachable .....	694
ip redirects .....	694
ipv6 redirects .....	695
ip icmp echo-reply .....	695
ip icmp error-interval .....	695
10.14 Команды настройки BFD .....	696
feature bfd .....	696
bfd .....	696
bfd echo .....	697
bfd interval .....	697
bfd slow-timer .....	698

ip ospf bfd.....	698
ip ospf bfd.....	699
neighbor fall-over bfd.....	699
show bfd neighbors.....	699
debug bfd event .....	700
debug bfd packet.....	700
11 КОМАНДЫ BGP .....	701
address-family ipv4 .....	701
address-family ipv6 .....	702
address-family vpv4 unicast .....	702
aggregate-address.....	703
bgp aggregate-different-meds .....	704
bgp always-compare-med.....	704
bgp bestpath as-path ignore .....	705
bgp client-to-client reflection.....	706
bgp cluster-id.....	706
bgp default local-preference .....	707
bgp fast-external-failover .....	708
bgp fast-internal-failover.....	708
bgp listen .....	708
bgp log-neighbor-changes.....	710
bgp maxas-limit .....	710
bgp router-id .....	711
default-information originate .....	711
default metric.....	712
distance (конфигурирование BGP-маршрутизатора) .....	712
distance BGP.....	713
distribute-list prefix in .....	714
distribute-list prefix out.....	715
enable (BGP).....	715
ip bgp fast-external-failover .....	716
ip bgp fast-external-failover .....	716
maximum-paths .....	717
maximum-paths igbp.....	718
neighbor activate (конфигурирование семейства адресов IPv4 VRF).....	718
neighbor activate (конфигурирование семейства адресов IPv6).....	719
neighbor advertisement-interval .....	720
neighbor connect-retry-interval.....	720
neighbor default-originate .....	721
neighbor description .....	722
neighbor ebgp-multihop .....	723
neighbor filter-list.....	724
neighbor filter-list (конфигурирование семейства адресов IPv6).....	725
neighbor inherit peer .....	725
neighbor local-as .....	726
neighbor maximum-prefix (конфигурирование BGP-маршрутизатора).....	727
neighbor next-hop-self.....	728
neighbor password.....	728
neighbor prefix-list .....	729
neighbor remote-as.....	730
neighbor remove-private-as.....	731
neighbor rfc5549-support .....	731
neighbor route-map .....	732
neighbor route-reflector-client (конфигурирование BGP-маршрутизатора).....	733



neighbor send-community.....	733
neighbor send-community extended .....	734
neighbor shutdown.....	734
neighbor timers .....	735
neighbor update-source .....	736
network (конфигурирование BGP-маршрутизатора).....	737
rd .....	738
redistribute (конфигурирование BGP-маршрутизатора) .....	739
route-target .....	740
template peer .....	741
address-family.....	742
activate .....	743
connect-retry-interval.....	743
description .....	744
password.....	744
shutdown .....	745
no shutdown .....	745
timers .....	745
update-source.....	746
timers bgp.....	746
timers policy-apply delay .....	747
clear ip bgp.....	748
clear ip bgp counters .....	749
debug ip bgp .....	749
show ip bgp.....	750
show ip bgp aggregate-address .....	752
show ip bgp community.....	752
show ip bgp community-list.....	752
show ip bgp extcommunity-list.....	753
show ip bgp listen range .....	753
show ip bgp neighbors.....	753
show ip bgp neighbors advertised-routes .....	757
show ip bgp neighbors policy .....	758
show ip bgp neighbors {received-routes   routes   rejected-routes}.....	758
show ip bgp route-reflection .....	759
show ip bgp statistics.....	760
show ip bgp summary.....	761
show ip bgp template .....	762
show ip bgp traffic .....	763
show ip bgp update-group.....	763
show ip bgp vpv4 .....	765
show bgp ipv6 .....	767
show bgp ipv6 aggregate-address .....	768
show bgp ipv6 community.....	768
show bgp ipv6 community-list.....	769
show bgp ipv6 listen range .....	769
show bgp ipv6 neighbors advertised-routes .....	769
show bgp ipv6 neighbors .....	770
show bgp ipv6 neighbors policy.....	770
show bgp ipv6 route-reflection .....	770
show bgp ipv6 statistics .....	771
show bgp ipv6 summary .....	771
show bgp ipv6 update-group.....	771
11.1 Команды настройки политики маршрутизации.....	772

ip as-path access-list.....	772
ip bgp-community new-format .....	774
ip community-list.....	774
show ip as-path-access-list.....	775
show ip community-list .....	775
clear ip community-list.....	775
12 КОМАНДЫ УПРАВЛЕНИЯ ПРОТОКОЛОМ IPV6.....	777
12.1 Команды настройки управления через протокол IPv6 .....	777
serviceport ipv6 enable .....	777
network ipv6 enable.....	777
serviceport ipv6 address .....	778
serviceport ipv6 gateway .....	779
serviceport ipv6 neighbor .....	779
network ipv6 address .....	780
network ipv6 gateway .....	780
network ipv6 neighbor .....	781
show network ipv6 neighbors .....	781
show serviceport ipv6 neighbors .....	782
ping ipv6 .....	782
ping ipv6 interface.....	783
12.2 Команды настройки туннельного интерфейса .....	784
interface tunnel.....	784
tunnel source.....	784
tunnel destination .....	784
tunnel mode ipv6ip .....	784
show interface tunnel .....	785
12.3 Команды настройки loopback-интерфейса .....	785
interface loopback.....	785
show interface loopback .....	786
12.4 Команды IPv6-маршрутизации .....	786
ipv6 hop-limit .....	786
ipv6 unicast-routing.....	787
ipv6 enable .....	787
ipv6 address.....	787
ipv6 address autoconfig .....	788
ipv6 address dhcp.....	789
ipv6 route .....	789
ipv6 route distance.....	790
ipv6 route net-prototype .....	790
ipv6 mtu.....	791
ipv6 nd dad attempts .....	791
ipv6 nd managed-config-flag.....	792
ipv6 nd ns-interval.....	792
ipv6 nd other-config-flag.....	792
ipv6 nd ra-interval .....	793
ipv6 nd ra-lifetime .....	793
ipv6 nd ra hop-limit unspecified.....	793
ipv6 nd reachable-time .....	794
ipv6 nd router-preference.....	794
ipv6 nd suppress-ra .....	795
ipv6 nd prefix.....	795
ipv6 neighbor.....	796
ipv6 neighbors dynamicrenew .....	796
ipv6 nud.....	797

ipv6 prefix-list .....	797
no ipv6 prefix-list .....	798
ipv6 unreachable .....	799
ipv6 unresolved-traffic .....	799
ipv6 icmp error-interval .....	799
show ipv6 brief .....	800
show ipv6 interface .....	801
show ipv6 interface vlan .....	803
show ipv6 dhcp interface .....	803
show ipv6 nd rguard policy .....	804
show ipv6 neighbors .....	804
clear ipv6 neighbors .....	805
show ipv6 protocols .....	805
show ipv6 route .....	807
show ipv6 route ecmp-groups .....	808
show ipv6 route hw-failure .....	808
show ipv6 route net-prototype .....	808
show ipv6 route preferences .....	809
show ipv6 route summary .....	809
show ipv6 snooping counters .....	811
show ipv6 vlan .....	811
show ipv6 traffic .....	812
clear ipv6 route counters .....	816
clear ipv6 snooping counters .....	816
clear ipv6 statistics .....	817
12.5 Команды настройки OSPFv3 .....	817
Команды глобальной настройки OSPFv3 .....	817
ipv6 router ospf .....	817
area default-cost .....	817
area nssa .....	818
area nssa default-info-originate .....	818
area nssa no-redistribute .....	818
area nssa no-summary .....	818
area nssa translator-role .....	819
area nssa translator-stab-intv .....	819
area range .....	819
area stub .....	820
area stub no-summary .....	821
area virtual-link .....	821
area virtual-link dead-interval .....	821
area virtual-link hello-interval .....	822
area virtual-link retransmit-interval .....	822
area virtual-link transmit-delay .....	823
auto-cost .....	823
clear ipv6 ospf .....	824
clear ipv6 ospf configuration .....	824
clear ipv6 ospf counters .....	824
clear ipv6 ospf neighbor .....	824
clear ipv6 ospf neighbor interface .....	824
clear ipv6 ospf redistribution .....	824
default-information originate .....	825
default-metric .....	825
distance ospf .....	825
enable 826	

exit-overflow-interval.....	826
external-lsdb-limit.....	826
maximum-paths.....	827
passive-interface default.....	827
passive-interface.....	827
redistribute.....	828
router-id.....	828
timers pacing lsa-group.....	829
timers throttle spf.....	829
trapflags.....	830
no trapflags.....	831
Команды OSPFv3-интерфейса.....	831
ipv6 ospf area.....	831
ipv6 ospf cost.....	831
ipv6 ospf dead-interval.....	832
ipv6 ospf hello-interval.....	832
ipv6 ospf link-lsa-suppression.....	833
ipv6 ospf mtu-ignore.....	833
ipv6 ospf network.....	833
ipv6 ospf prefix-suppression.....	834
ipv6 ospf priority.....	834
ipv6 ospf retransmit-interval.....	835
ipv6 ospf transmit-delay.....	835
Команды настройки Graceful Restart в OSPFv3.....	836
nsf.....	836
nsf restart-interval.....	836
nsf helper.....	837
nsf ietf helper disable.....	838
nsf helper strict-lsa-checking.....	838
clear ipv6 ospf stub-router.....	839
Команды просмотра оперативного состояния OSPFv3.....	839
show ipv6 ospf.....	839
show ipv6 ospf abr.....	843
show ipv6 ospf area.....	843
show ipv6 ospf asbr.....	844
show ipv6 ospf database.....	845
show ipv6 ospf database database-summary.....	846
show ipv6 ospf interface.....	847
show ipv6 ospf interface brief.....	848
show ipv6 ospf interface stats.....	849
show ipv6 ospf lsa-group.....	850
show ipv6 ospf max-metric.....	850
show ipv6 ospf neighbor.....	851
show ipv6 ospf range.....	853
show ipv6 ospf statistics.....	853
show ipv6 ospf stub table.....	854
show ipv6 ospf virtual-link.....	855
show ipv6 ospf virtual-link brief.....	855
12.6 Команды настройки DHCPv6.....	856
service dhcpv6.....	856
ipv6 dhcp client pd.....	856
ipv6 dhcp server.....	857
ipv6 dhcp relay destination.....	857
ipv6 dhcp pool.....	857

address prefix (IPv6) .....	858
domain-name (IPv6) .....	858
dns-server (IPv6) .....	859
prefix-delegation (IPv6) .....	859
show ipv6 dhcp .....	860
show ipv6 dhcp statistics .....	860
show ipv6 dhcp interface.....	861
show ipv6 dhcp binding .....	862
show ipv6 dhcp pool .....	862
show network ipv6 dhcp statistics.....	863
show serviceport ipv6 dhcp statistics.....	863
clear ipv6 dhcp.....	864
clear ipv6 dhcp binding.....	864
clear network ipv6 dhcp statistics .....	865
clear serviceport ipv6 dhcp statistics.....	865
12.7 Команды настройки DHCPv6 Snooping.....	865
ipv6 dhcp snooping.....	865
ipv6 dhcp snooping vlan .....	865
ipv6 dhcp snooping verify mac-address .....	866
ipv6 dhcp snooping database .....	866
ip dhcp snooping database write-delay.....	866
ipv6 dhcp snooping binding .....	867
ipv6 dhcp snooping trust .....	867
ipv6 dhcp snooping log-invalid .....	867
ipv6 dhcp snooping limit.....	868
ipv6 verify source.....	868
ipv6 verify binding .....	868
show ipv6 dhcp snooping .....	869
show ipv6 dhcp snooping binding .....	869
show ipv6 dhcp snooping database.....	870
show ipv6 dhcp snooping statistics .....	870
clear ipv6 dhcp snooping binding .....	870
clear ipv6 dhcp snooping statistics .....	871
show ipv6 verify .....	871
show ipv6 verify source .....	871
show ipv6 source binding .....	872
13 КОМАНДЫ НАСТРОЙКИ QUALITY OF SERVICE.....	873
13.1 Команды управления Class of Service.....	873
classofservice dot1p-mapping .....	873
classofservice ip-dscp-mapping .....	873
classofservice trust .....	874
cos-queue max-bandwidth .....	874
cos-queue min-bandwidth.....	875
cos-queue random-detect .....	875
cos-queue strict .....	876
random-detect.....	876
random-detect exponential weighting-constant.....	876
random-detect queue-parms .....	877
traffic-shape.....	878
show classofservice dot1p-mapping.....	878
show classofservice ip-dscp-mapping.....	878
show classofservice trust.....	879
show interfaces cos-queue .....	879
show interfaces random-detect .....	880

show interfaces tail-drop-threshold.....	880
13.2 Команды настройки Differentiated Services .....	880
diffserv.....	881
13.3 Команды настройки класса DiffServ.....	882
class-map.....	882
class-map rename .....	883
match ethertype.....	883
match any.....	883
match class-map.....	883
match cos .....	884
match secondary-cos.....	884
match destination-address mac .....	884
match dstip.....	885
match dstip6.....	885
match dstl4port .....	885
match ip dscp .....	885
match ip precedence.....	886
match ip tos.....	886
match ip6flowlbl.....	887
match protocol.....	887
match source-address mac .....	887
match srcip.....	888
match srcip6 .....	888
match srcl4port .....	888
match vlan .....	888
match secondary-vlan .....	889
13.4 Команды настройки политики DiffServ.....	889
assign-queue .....	889
drop .....	890
mirror .....	890
redirect.....	890
conform-color.....	890
class .....	890
mark cos .....	891
mark secondary-cos .....	891
mark cos-as-sec-cos.....	891
mark ip-dscp.....	892
mark ip-precedence .....	892
police-simple .....	892
police-single-rate.....	893
police-two-rate.....	893
policy-map.....	893
policy-map rename.....	894
13.5 Команды настройки сервисов DiffServ .....	894
service-policy.....	894
13.6 Команды просмотра оперативного состояния DiffServ .....	895
show class-map .....	895
show diffserv .....	896
show policy-map .....	896
show diffserv service .....	898
show diffserv service brief .....	899
show policy-map interface .....	899
show service-policy .....	900
13.7 Команды настройки MAC ACL .....	900

mac access-list extended .....	900
mac access-list extended rename.....	901
mac access-list resequence.....	901
{deny   permit} (MAC ACL) .....	901
mac access-group .....	903
remark .....	904
show mac access-lists .....	905
13.8 Команды настройки IP ACL.....	906
access-list.....	906
ip access-list.....	909
ip access-list rename.....	910
ip access-list resequence .....	910
{deny   permit} (IP ACL).....	910
ip access-group .....	914
acl-trapflags .....	915
show ip access-lists.....	915
show access-lists.....	917
show access-lists vlan .....	917
13.9 Команды настройки IPv6 ACL.....	918
IPv6 access-list .....	918
IPv6 access-list rename.....	918
IPv6 access-list resequence .....	919
{deny   permit} (IPv6) .....	919
IPv6 traffic-filter .....	923
show IPv6 access-lists .....	924
13.10 Команды управления функцией Management Access Control and Administration List ....	925
management access-list.....	925
{deny   permit} (Management ACAL).....	925
management access-class.....	926
show management access-list .....	926
show management access-class .....	926
13.11 Команды настройки временного диапазона для ACL с ограничением по времени .....	927
time-range .....	927
absolute .....	927
periodic .....	928
show time-range .....	929
13.12 Команды Auto-Voice over IP .....	929
auto-voip.....	929
auto-voip oui.....	930
auto-voip oui-based priority .....	930
auto-voip protocol-based .....	931
auto-voip vlan .....	931
show auto-voip .....	932
show auto-voip oui-table.....	932
13.13 Команды оптимизации iSCSI .....	933
iscsi aging time.....	933
iscsi cos .....	933
iscsi enable.....	934
iscsi target port .....	934
show iscsi .....	935
show iscsi sessions.....	935
14 СИСТЕМНЫЕ СООБЩЕНИЯ .....	936
14.1 База .....	936
14.2 Утилиты.....	937

---

14.3 Управление .....	940
14.4 Коммутация .....	942
14.5 Качество обслуживания .....	948
14.6 Маршрутизация/Маршрутизация IPv6 .....	949
14.7 Многоадресная рассылка .....	951
14.8 Стекирование .....	955
14.9 Технологии .....	955
14.10 Поддержка ОС .....	956



## УСЛОВНЫЕ ОБОЗНАЧЕНИЯ

Обозначение	Описание
[ ]	В квадратных скобках в командной строке указываются необязательные параметры, но их ввод предоставляет определенные дополнительные опции.
{ }	В фигурных скобках в командной строке указываются возможные обязательные параметры. Необходимо выбрать один из параметров.
«,» «-»	Данные знаки в описании команды используются для указания диапазонов.
«   »	Данный знак в описании команды обозначает «или».
« / »	Данный знак в описании команды указывает на значение по умолчанию.
<i>Курсив Calibri</i>	Курсивом Calibri указываются переменные или параметры, которые необходимо заменить соответствующим словом или строкой.
<b>Полужирный курсив</b>	Полужирным шрифтом выделены примечания и предупреждения.
<b>&lt;Полужирный курсив&gt;</b>	Полужирным курсивом в угловых скобках указываются названия клавиш на клавиатуре.
<b>Courier New</b>	Полужирным Шрифтом Courier New записаны примеры ввода команд.
<code>Courier New</code>	Шрифтом Courier New в рамке с тенью указаны результаты выполнения команд.

### Примечания и предупреждения



Примечания содержат важную информацию, советы или рекомендации по использованию и настройке устройства.



Предупреждения информируют пользователя о ситуациях, которые могут нанести вред устройству или человеку, привести к некорректной работе устройства или потере данных.

## 1 ВВЕДЕНИЕ

Коммутаторы Eltex MES5448 обеспечивают функциональность Layer 2 и Layer 3, позволяющую использовать их в качестве коммутаторов агрегации, а также в Центрах Обработки Данных. Программное обеспечение коммутаторов оптимизировано для масштабирования и повышения производительности ЦОД.

Устройства MES5448 отвечают требованиям Центров Обработки Данных к Top-of-Rack и End-of-Row коммутаторам и требованиям операторов к оборудованию сетей агрегации и магистральных сетей, обеспечивая высокую производительность и экономически эффективное решение.

## 2 ОПИСАНИЕ ИЗДЕЛИЯ

### 2.1 Назначение

Коммутаторы MES5448 – это высокопроизводительные устройства, оснащенные интерфейсами 10GBASE-R/1000BASE-X и 40GBASE-R и предназначенные для использования в центрах обработки данных (ЦОД) в качестве Top-of-Rack или End-of-Row коммутаторов, а также в сетях агрегации и магистральных сетях операторов связи.

Неблокируемая коммутационная матрица устройства позволяет осуществлять корректную обработку пакетов на максимальных скоростях, сохраняя при этом минимальные и предсказуемые задержки на всех типах трафика.

Схема вентиляции front-to-back обеспечивает эффективное охлаждение при использовании устройств в условиях современных ЦОД.

Коммутатор имеет возможность горячей замены модулей питания и вентиляции, обеспечивая бесперебойность функционирования сети.

### 2.2 Функции коммутатора

#### 2.2.1 Базовые функции

В таблице 2.1 приведен список базовых функций коммутатора, доступных для администрирования.

**Таблица 2.1 – Базовые функции устройства**

<i>Защита от блокировки очереди (HOL)</i>	Блокировка возникает в случаях перегрузки выходных портов устройства трафиком от нескольких входных портов. Это приводит к задержкам передачи данных и потере пакетов.
<i>Поддержка сверхдлинных кадров (Jumbo frames)</i>	Способность поддерживать передачу сверхдлинных кадров, что позволяет передавать данные меньшим числом пакетов. Это снижает объем служебной информации и, как следствие, время обработки пакетов.
<i>Управление потоком (IEEE 802.3X)</i>	Управление потоком позволяет соединять низкоскоростное устройство с высокоскоростным. Для предотвращения переполнения буфера низкоскоростное устройство имеет возможность отправлять пакет PAUSE, тем самым информируя высокоскоростное устройство о необходимости сделать паузу при передаче пакетов.
<i>Работа в стеке устройств</i>	Коммутатор поддерживает объединение нескольких устройств в стек. В этом случае коммутаторы рассматриваются как единое логическое устройство с общими настройками. Возможны две топологии построения стека – кольцо и цепочка. При этом параметры портов всех устройств, включенных в стек можно задать с коммутатора, работающего в режиме «мастер». Стекирование устройств позволяет снизить трудоемкость управления сетью и повысить ее отказоустойчивость.

#### 2.2.2 Функции при работе с MAC-адресами

В таблице 2.2 приведены функции устройств при работе с MAC-адресами.

**Таблица 2.2 – Функции работы с MAC-адресами**

<i>Таблица MAC-адресов</i>	Коммутатор составляет в памяти таблицу, в которой устанавливается соответствие между MAC-адресами и портами коммутатора.
<i>Режим обучения</i>	В отсутствие обучения, данные, поступающие на какой-либо порт, передаются на все остальные порты коммутатора. В режиме обучения коммутатор анализирует кадры и, определив MAC-адрес отправителя, заносит его в таблицу коммутации. Впоследствии, кадр Ethernet, предназначенный для хоста, MAC-адрес которого уже есть в таблице, перенаправляется на указанный в таблице порт.
<i>Поддержка передачи на несколько MAC-адресов (MAC Multicast Support)</i>	Данная функция позволяет устанавливать соединения «один ко многим» и «многие ко многим». Таким образом, кадр, адресованный многоадресной группе, передается на каждый порт, входящий в группу.
<i>Автоматическое время хранения MAC-адресов (Automatic Aging for MAC Addresses)</i>	Если от устройства с определенным MAC-адресом за определенный период времени не поступают пакеты, то запись для данного адреса устаревает и удаляется. Это позволяет поддерживать таблицу коммутации в актуальном состоянии.

### 2.2.3 Функции второго уровня сетевой модели OSI

В таблице 2.3 приведены функции и особенности *второго уровня (уровень 2 OSI)*

**Таблица 2.3 – Описание функций второго уровня (уровень 2 OSI)**

<i>Функция IGMP Snooping</i>	Реализация протокола IGMP позволяет на основе информации, полученной при анализе содержимого IGMP-пакетов, определить, какие устройства в сети участвуют в группах многоадресной рассылки, и адресовать трафик на соответствующие порты.
<i>Функция MLD Snooping</i>	Реализация протокола MLD позволяет устройству минимизировать многоадресный IPv6-трафик.
<i>Функция MVR</i>	Функция, позволяющая перенаправлять многоадресный трафик из одной VLAN в другую на основании IGMP-сообщений, что позволяет уменьшить нагрузку на uplink-порту. Применяется в решениях III-play.
<i>Защита от широковещательного «шторма» (Broadcast Storm Control)</i>	Широковещательный шторм – это размножение широковещательных сообщений в каждом узле, которое приводит к лавинообразному росту их числа и парализует работу сети. Коммутаторы имеют функцию, позволяющую ограничить скорость передачи многоадресных и широковещательных кадров, принятых и переданных коммутатором.
<i>Зеркалирование портов (Port Mirroring)</i>	Зеркалирование портов позволяет дублировать трафик наблюдаемых портов, пересылая входящие и/или исходящие пакеты на контролирующий порт. У пользователя коммутатора есть возможность задать контролирующий и контролируемые порты и выбрать тип трафика (входящий и/или исходящий), который будет передан на контролирующий порт.
<i>Изоляция портов (Protected ports)</i>	Данная функция позволяет создать изолированную группу портов, которые могут обмениваться трафиком только друг с другом. За пределы группы трафик выйти не может.
<i>Поддержка Private VLAN</i>	Технология Private VLAN (PVLAN) позволяет производить разграничение трафика на втором уровне модели OSI между портами коммутатора, которые находятся в одном широковещательном домене.

<p><i>Поддержка протокола STP (Spanning Tree Protocol)</i></p>	<p>Spanning Tree Protocol — сетевой протокол, основной задачей которого является приведение сети Ethernet с избыточными соединениями к древовидной топологии, исключающей петли. Коммутаторы обмениваются конфигурационными сообщениями, используя кадры специального формата, на основе которых включают и отключают передачу трафика через порты.</p>
<p><i>Поддержка протокола RSTP (IEEE 802.1w Rapid spanning tree protocol)</i></p>	<p>Rapid (быстрый) STP (RSTP) — является усовершенствованием протокола STP, характеризуется меньшим временем приведения сети к древовидной топологии.</p>
<p><i>Поддержка протокола MSTP (IEEE 802.1w Rapid spanning tree protocol)</i></p>	<p>Протокол Multiple Spanning Tree Protocol (MSTP) — является усовершенствованием протокола RSTP, который позволяет настраивать отдельное связующее дерево для отдельных VLAN или групп VLAN.</p>
<p><i>Поддержка протокола PVSTP (Per-VLAN Spanning Tree protocol)</i></p>	<p>Per-VLAN Spanning Tree protocol (PVSTP) — является усовершенствованием протокола STP, позволяющий запускать отдельные экземпляры протокола STP в отдельных VLAN.</p>
<p><i>Поддержка VLAN</i></p>	<p>VLAN — это виртуальная группа портов коммутатора, образующих один широковещательный домен. Коммутатор поддерживает различные средства классификации пакетов для определения их принадлежности к определенной VLAN.</p>
<p><i>Поддержка 802.1Q</i></p>	<p>IEEE 802.1Q — открытый стандарт, который описывает процедуру тегирования трафика для передачи информации о принадлежности к VLAN. Позволяет использовать несколько групп VLAN на одном порту.</p>
<p><i>Поддержка протокола OAM (Operation, Administration, and Maintenance, IEEE 802.3ah)</i></p>	<p>Ethernet OAM (Operation, Administration, and Maintenance), IEEE 802.3ah — функции уровня канала передачи данных представляют собой протокол мониторинга состояния канала. В этом протоколе для передачи информации о состоянии канала между непосредственно подключенными устройствами Ethernet используются блоки данных протокола OAM (OAMPDU). Оба устройства должны поддерживать стандарт IEEE 802.3ah.</p>
<p><i>Поддержка GVRP (GARP VLAN)</i></p>	<p>Протокол регистрации GARP VLAN обеспечивает динамическое добавление/удаление групп VLAN на портах коммутатора. Если включен протокол GVRP, коммутатор определяет, а затем распространяет данные о принадлежности к VLAN на все порты, являющиеся частью активной топологии.</p>
<p><i>Поддержка VLAN на основе физических портов (Port-Based VLAN)</i></p>	<p>Функция позволяет назначить пакету метку VLAN на основе физического порта, с которого он был принят.</p>
<p><i>Создание групп LAG</i></p>	<p>В устройствах поддерживается функция создания групп каналов. Агрегация каналов (Link aggregation, trunking) — технология объединения нескольких физических каналов в один логический. Это способствует не только увеличению пропускной способности магистральных каналов коммутатор—коммутатор или коммутатор—сервер, но и повышению их надежности. Возможны варианты балансировки трафика на основе MAC-адресов, IP-адресов, VLAN, TCP/UDP-портов. Группа LAG состоит из портов с одинаковой скоростью, работающих в дуплексном режиме.</p>
<p><i>Объединение каналов с использованием LACP</i></p>	<p>Протокол LACP (IEEE 802.3ad) обеспечивает автоматическое объединение нескольких физических портов коммутатора в единый канал передачи данных. В протоколе постоянно определяется возможность объединения каналов, и в случае отказа порта, входящего в объединенный канал, его трафик автоматически перераспределяется по не отказавшим компонентам объединенного канала.</p>

<i>Поддержка Auto Voice VLAN</i>	Предоставляет возможность идентифицировать голосовой трафик на основании OUI (Organizationally Unique Identifier – первые 24 бита MAC-адреса) либо L4-порта. Если в MAC-таблице коммутатора присутствует MAC-адрес с OUI голосового шлюза или же IP-телефона, то данный порт автоматически добавляется в voice vlan (идентификация по протоколу SIP или же по MAC-адресу получателя не поддерживается).
<i>Dot1ad</i>	Реализация QinQ-туннелей, согласно которой трафик, идущий от пользователя в сеть провайдера, тегируется двумя VLAN-тегами. Внутренним тэгом является пользовательский тэг (C-tag), а внешним - провайдерский (S-tag).

## 2.2.4 Функции третьего уровня сетевой модели OSI

В таблице 2.4 приведены функции третьего уровня (уровень 3 OSI)

**Таблица 2.4 – Описание функций третьего уровня (Layer 3)**

<i>Клиенты BootP и DHCP (Dynamic Host Configuration Protocol)</i>	Устройства способны автоматически получать IP-адрес по протоколу BootP/DHCP.
<i>Статические IP-маршруты</i>	Администратор коммутатора имеет возможность добавлять и удалять статические записи в таблицу маршрутизации.
<i>Протокол ARP (Address Resolution Protocol)</i>	ARP – протокол сопоставления IP-адреса и физического адреса устройства. Соответствие устанавливается на основе анализа ответа от узла сети, адрес узла запрашивается в широковещательном пакете.
<i>Протокол RIP (Routing Information Protocol)</i>	Протокол динамической маршрутизации, который позволяет маршрутизаторам обновлять маршрутную информацию, получая ее от соседних маршрутизаторов. В задачи протокола входит определение оптимального маршрута на основании данных о количестве промежуточных узлов.
<i>Протокол OSPF</i>	Протокол динамической маршрутизации, основанный на технологии отслеживания состояния канала (link-state technology) и использующий для нахождения кратчайшего пути Алгоритм Дейкстры. Протокол OSPF распространяет информацию о доступных маршрутах между маршрутизаторами одной автономной системы.
<i>Протокол VRRP</i>	Протокол VRRP предназначен для резервирования маршрутизаторов, выполняющих роль шлюза по умолчанию. Это достигается путём объединения IP-интерфейсов группы маршрутизаторов в один виртуальный, который будет использоваться как шлюз по умолчанию для компьютеров в сети.
<i>BFD (Bidirectional Forwarding Detection)</i>	Протокол BFD обеспечивает двунаправленную связность между маршрутизаторами, которые могут отстоять друг от друга более чем на один хоп. BFD имеет очень низкое время (гибко настраиваемое) определения неисправности канала связи и, как следствие, быстрое переключение на резервный маршрут.
<i>Протокол BGP</i>	BGP (Border Gateway Protocol, протокол граничного шлюза) — динамический протокол маршрутизации, относящийся к классу протоколов маршрутизации внешнего шлюза. Протокол BGP предназначен для обмена информацией о достижимости подсетей между автономными системами, то есть группами маршрутизаторов под единым техническим и административным управлением, использующими протокол внутридоменной маршрутизации для определения маршрутов внутри себя и протокол междоменной маршрутизации для определения маршрутов доставки пакетов в другие автономные системы.

## 2.2.5 Функции QoS

В таблице 2.5 приведены основные функции качества обслуживания (Quality of Service)

**Таблица 2.5 – Основные функции качества обслуживания**

<i>Поддержка приоритетных очередей</i>	Устройство поддерживает приоритизацию исходящего трафика по очередям на каждом порту. Распределение пакетов по очередям может производиться в результате классификации пакетов по различным полям в заголовках пакетов.
<i>Поддержка класса обслуживания 802.1p</i>	Стандарт 802.1p специфицирует метод указания приоритета кадра и алгоритм использования приоритета в целях своевременной доставки чувствительного к временным задержкам трафика. Стандарт 802.1p определяет восемь уровней приоритетов. Коммутаторы могут использовать значение приоритета 802.1p для распределения кадров по приоритетным очередям.

## 2.2.6 Функции обеспечения безопасности

**Таблица 2.6 – Функции обеспечения безопасности**

<i>DHCP snooping</i>	Функция коммутатора, предназначенная для защиты от атак с использованием протокола DHCP. Обеспечивает фильтрацию DHCP-сообщений, поступивших с ненадежных портов путем построения и поддержания базы данных привязки DHCP (DHCP snooping binding database). DHCP snooping выполняет действия брандмауэра между ненадежными портами и серверами DHCP.
<i>UDP relay</i>	Перенаправление широковещательного UDP-трафика на указанный IP-адрес
<i>Функции DHCP-сервера</i>	DHCP-сервер осуществляет централизованное управление сетевыми адресами и соответствующими конфигурационными параметрами, автоматически предоставляя их клиентам.
<i>IP Source address guard</i>	Функция коммутатора, которая ограничивает IP-трафик, фильтруя его на основании таблицы соответствий IP- и MAC-адресов в базе данных DHCP snooping либо статически сконфигурированных связей. Функция используется для борьбы с подменой IP-адресов.
<i>Dynamic ARP Inspection (Protection)</i>	Функция коммутатора, предназначенная для защиты от атак с использованием протокола ARP. Сообщение, которое поступает с ненадежного порта, подвергается проверке – соответствует ли IP-адрес в теле принятого ARP-пакета IP-адресу отправителя. Если адреса не совпадают, то коммутатор отбрасывает пакет.
<i>L2 – L3 – L4 ACL (Access Control List)</i>	На основе информации, содержащейся в заголовках уровней 2, 3 и 4, у администратора есть возможность настроить политики, согласно которым пакет будет обработан, либо отброшен.
<i>Time-Based ACL</i>	Позволяет сконфигурировать временные рамки, в течение которых данный ACL будет действовать.
<i>Port Security</i>	Функция коммутатора, позволяющая указать MAC-адреса хостов, которым разрешено передавать данные через порт. После этого порт передает пакеты, если MAC-адрес отправителя не указан как разрешенный.
<i>Проверка подлинности на основе порта (802.1x)</i>	Проверка подлинности IEEE 802.1x представляет собой механизм контроля доступа к ресурсам через внешний сервер. Прошедшие проверку подлинности пользователи получают доступ к ресурсам сети.

## 2.2.7 Функции управления коммутатором

Таблица 2.7 – Основные функции управления коммутаторами

<i>Загрузка и выгрузка файла конфигурации</i>	Параметры устройства сохраняются в файле настройки, который содержит данные конфигурации как всей системы в целом, так и определенного порта устройства.
<i>Протокол TFTP (Trivial File Transfer Protocol)</i>	Протокол TFTP используется для операций записи и чтения файлов. Протокол основан на транспортном протоколе UDP. Устройства поддерживают загрузку и выгрузку по данному протоколу файлов конфигурации и образов программного обеспечения.
<i>Протокол SCP (Secure Copy)</i>	Протокол SCP используется для операций записи и чтения файлов. Протокол основан на сетевом протоколе SSH. Устройства поддерживают загрузку и передачу по данному протоколу файлов настройки и образов программного обеспечения.
<i>Протокол FTP (File Transfer Protocol)</i>	Протокол FTP используется для операций записи и чтения файлов. Протокол основан на транспортном протоколе TCP. Устройства поддерживают загрузку и выгрузку по данному протоколу файлов конфигурации и образов программного обеспечения.
<i>Протокол SFTP (SSH File Transfer Protocol)</i>	SFTP - протокол прикладного уровня, предназначенный для копирования и выполнения других операций с файлами поверх надёжного и безопасного соединения. Устройства поддерживают загрузку и выгрузку по данному протоколу файлов конфигурации и образов программного обеспечения.
<i>Удаленный мониторинг (RMON)</i>	Удаленный мониторинг (RMON) – средство мониторинга компьютерных сетей, расширение SNMP. Совместимые устройства позволяют собирать диагностические данные с помощью станции управления сетью. RMON – это стандартная база MIB, в которой определены текущая и предыдущая статистика уровня MAC и объекты управления, предоставляющие данные в реальном времени.
<i>Протокол SNMP</i>	Протокол SNMP используется для мониторинга и управления сетевым устройством. Он состоит из набора стандартов для сетевого управления, включая протокол прикладного уровня, схему баз данных и набор объектов данных.
<i>Интерфейс командной строки (CLI)</i>	Управление коммутаторами посредством CLI осуществляется локально через последовательный порт RS-232, либо удаленно через Telnet/SSH. Интерфейс командной строки консоли (CLI) является промышленным стандартом. Интерпретатор CLI предоставляет список команд и ключевых слов для помощи пользователю и сокращению объема вводимых данных.
<i>Syslog</i>	<i>Syslog</i> – протокол, обеспечивающий передачу сообщений о происходящих в системе событиях, а также уведомлений об ошибках удаленным серверам.
<i>SNTP (Simple Network Time Protocol)</i>	Протокол <i>SNTP</i> – протокол синхронизации времени. Гарантирует точность синхронизации времени сетевого устройства с сервером до миллисекунды.
<i>Traceroute</i>	<i>Traceroute</i> – служебная функция, предназначенная для определения маршрутов передачи данных в IP-сетях.
<i>Управление контролируемым доступом – уровни привилегий</i>	Администратор может определить уровни привилегий доступа для пользователей устройства и характеристики для каждого уровня привилегий (только для чтения – 1 уровень, полный доступ – 15 уровень).



<i>Блокировка интерфейса управления</i>	Коммутатор способен устанавливать запрет доступа к каждому интерфейсу управления (SNMP, CLI). Запрет может быть установлен отдельно для каждого интерфейса доступа: Telnet (CLI over Telnet Session) Secure Shell (CLI over SSH) TFTP HTTP HTTPS SNMP SNTP
<i>Локальная аутентификация</i>	Для локальной аутентификации поддерживается хранение паролей в базе данных коммутатора.
<i>Клиент RADIUS</i>	Протокол RADIUS используется для аутентификации, авторизации и учета. Сервер RADIUS использует базу данных пользователей, которая содержит данные проверки подлинности для каждого пользователя. Коммутаторы содержат клиентскую часть протокола RADIUS.
<i>TACACS+ (Terminal Access Controller Access Control System)</i>	Устройство предоставляет поддержку проверки подлинности клиентов посредством протокола TACACS+. Протокол TACACS+ обеспечивает централизованную систему безопасности для проверки пользователей, получающих доступ к устройству, а также централизованную систему управления при соблюдении совместимости с RADIUS и другими процессами проверки подлинности.
<i>Сервер SSH</i>	Функция сервера SSH позволяет клиенту SSH установить с устройством защищенное соединение для управления им.
<i>Поддержка макрокоманд</i>	Данная функция предоставляет возможность создавать макрокоманды, представляющие собой набор команд, и применять их для конфигурации устройства.

## 2.2.8 Функции ЦОД

Таблица 2.8 – Основные функции для Центров Обработки Данных

<i>FIP Snooping</i>	Fibre Channel over Ethernet (FCoE) Initialization Protocol (FIP) – это функция безопасности, предназначенная для предотвращения неавторизованного доступа и передачи данных в сетях Fibre Channel (FC). Функция фильтрует трафик, разрешая только те серверы хранения данных, которые имеют на это право.
<i>LLDP DCBX</i>	Протокол Data Center Bridging Exchange (DCBX) используется устройствами для обмена конфигурационной информацией с напрямую подключенными узлами. Является расширением протокола LLDP.
<i>PFC (Priority Flow Control)</i>	Функция Priority-based flow control (PFC) предоставляет средства для приостановки трафика определенного приоритета (802.1p) при наступлении переполнения (congestion) в исходящей очереди.
<i>QCN (Quantized Congestion Notification)</i>	Стандарт 802.1Qau решает проблему переполнения исходящих очередей с помощью протокола Quantized Congestion Notification (QCN). Коммутаторы постоянно анализируют загрузку своих исходящих очередей. Когда размер очереди превышает определённый порог и продолжает увеличиваться, коммутатор отправляет источнику трафика с определённой частотой специальные служебные сообщения.
<i>ETS (Enhanced Transmission Selection)</i>	Данный протокол предоставляет возможность гибкой настройки полосы пропускания для трафика определённого приоритета.

<i>Cut-Through</i>	Режим Cut-Through позволяет коммутатору начать пересылку пакета еще до того, как его приём был полностью завершён. Это позволяет сократить задержки при пересылке больших и сверхбольших пакетов.
<i>Openflow</i>	Протокол Openflow позволяет управлять коммутатором с центрального Openflow-контроллера.

### 2.2.9 Дополнительные функции

В таблице Таблица 2.9 приведены дополнительные функции устройства.

**Таблица 2.9 – Дополнительные функции устройства**

<i>Виртуальное тестирование кабеля (VCT)</i>	Сетевые коммутаторы имеют в своём составе программные и аппаратные средства, позволяющие выполнять функции виртуального тестера кабеля – VCT. Тестер позволяет определить состояние медного кабеля связи.
<i>Диагностика оптического трансивера</i>	Устройство позволяет тестировать оптический трансивер (DDM). При тестировании отслеживаются такие параметры, как ток и напряжение питания, температура трансивера, мощность сигнала. Для реализации требуется поддержка этих функций в трансивере.

## 2.3 Основные технические характеристики

Основные технические параметры коммутатора приведены в таблице 2.10.

**Таблица 2.10 – Основные технические характеристики**

Общие параметры	
Пакетный процессор	Broadcom BCM56846A1
Интерфейсы	48x10GBASE-R (SFP+)/1000BASE-X (SFP) 4x40GBASE-SR4/LR4 (QSFP)
Пропускная способность	1,28 Тбит/с
Объем буферной памяти	9 МБ
Таблица MAC-адресов	131072 (128K)
Объем TCAM (количество правил ACL)	2K Ingress, 1K Egress
Количество ARP-записей	6K
Количество IPv4 Unicast-маршрутов	16K

Количество IPv6 Unicast-маршрутов	8К
Количество групп Multicast	2К
Таблица VLAN	4094
Количество правил SQinQ	4094
Качество обслуживания QoS	7 очередей
Количество VRRP-маршрутизаторов	20
Количество L3 интерфейсов	128
Количество виртуальных Loopback-интерфейсов	64
Агрегация каналов (LAG)	64, по 32 члена в каждом LAG
Количество экземпляров MSTP	64
Сверхдлинные кадры (jumbo frames)	12270 байт
Стекирование	Не более 8 юнитов
Соответствие стандартам	<p>IEEE 802.3ac  IEEE 802.3ad – агрегация каналов  IEEE 802.3ae – 10 GbE  IEEE 802.1ak – MRP  IEEE 802.1S – множество связующих деревьев (MST)  IEEE 802.1W – быстрое связующее дерево (RSTP)  IEEE 802.1D – связующее дерево (STP)  IEEE 802.1Qat – MSRP  IEEE 802.1Qav – Time-Sensitive Streams  IEEE 801.1Qbb  IEEE 802.1v – классификация VLAN  IEEE 802.1p – приоритизация трафика  IEEE 802.1X  IEEE 802.3x – Flow Control  IEEE 802.1AB – LLDP  IEEE 802.1Qbb – Priority-based Flow Control  IEEE 802.1ad – Double VLAN tagging  IEEE 802.1ag – Connectivity Fault Management (CFM)  IEEE 802.3ah – Operations, Administration, and Maintenance (OAM)  IEEE 802.1Qau – Congestion Notification  IEEE 802.1Qaz – Enhanced Transmission Selection (ETS)</p>

Управление	
Локальное управление	Console
Удаленное управление	Telnet, SSH, SNMP, Netconf, HTTP/HTTPS, OpenFlow
Физические характеристики и условия окружающей среды	
Источники питания	сеть переменного тока: 220В+-20%, 50 Гц сеть постоянного тока: -36.. -72В варианты питания: - один источник питания постоянного или переменного тока; - два источника питания постоянного или переменного тока, с возможностью горячей замены.
Потребляемая мощность	не более 150 Вт
Габаритные размеры	440 x 425 x 44
Рабочая температура	От 0 до +50°C
Температура хранения	От -40 до +70°C
Относительная влажность при эксплуатации (без образования конденсата)	Не более 80%.
Средний срок службы	20 лет

## 2.4 Конструктивное исполнение

В данном разделе описано конструктивное исполнение коммутатора MES5448, представлены изображения передней, задней и боковых панелей устройства, описаны разъемы, светодиодные индикаторы и органы управления.

Коммутатор MES5448 выполнен в металлическом корпусе с возможностью установки в 19" каркас, высота корпуса 1U.

### 2.4.1 Внешний вид и описание передней панели MES5448

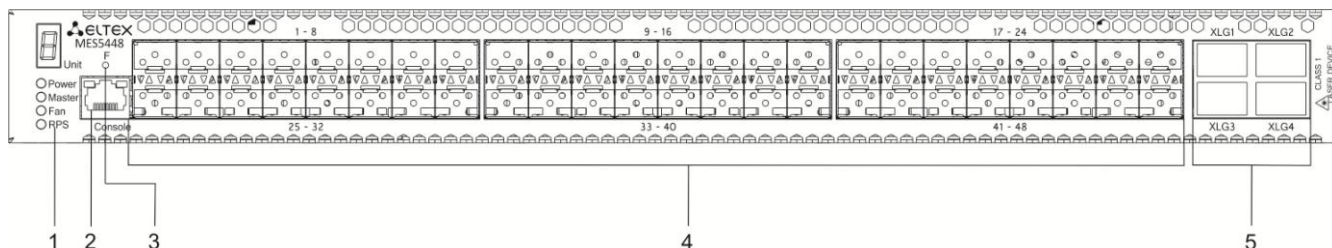


Рисунок 1– MES5448, передняя панель

В таблице 2.11 приведен перечень разъемов, светодиодных индикаторов и органов управления, расположенных на передней панели коммутатора.

Таблица 2.11 – Описание разъемов, индикаторов и органов управления передней панели MES5448

№	Элемент передней панели	Описание
1	Unit ID	Индикатор номера устройства в стеке.
	Power	Индикатор питания устройства.
	Master	Индикатор режима работы устройства (ведущий/ведомый).
	Fan	Индикатор работы вентиляторов.
	RPS	Индикатор резервного электропитания.
2	Console	Консольный порт для локального управления устройством. Распиновка разъема следующая: 1 не используется 2 не используется 3 RX 4 GND 5 GND 6 TX 7 не используется 8 не используется 9 не используется
3	F	Функциональная кнопка для перезагрузки устройства и сброса к заводским настройкам: - при нажатии на кнопку длительностью менее 10 с. происходит перезагрузка устройства; - при нажатии на кнопку длительностью более 10 с. происходит сброс настроек устройства до заводской конфигурации.
4	[1-48]	Слоты для установки трансиверов 10G SFP+/ 1G SFP.
5	XLG1, XLG2 XLG3, XLG4	Слоты XLG1-XLG4 для установки трансиверов 40G QSFP.

### 2.4.2 Задняя панель устройства

Внешний вид задней панели коммутаторов серии MES5448 приведен на Рисунок 1.

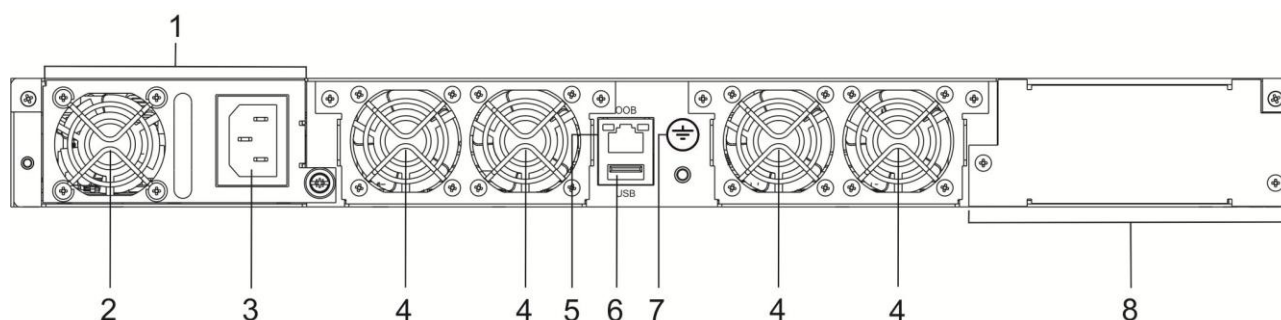


Рисунок 2 – MES5448, задняя панель

В таблице Таблица 2.12 приведен перечень разъемов, расположенных на задней панели коммутатора.

Таблица 2.12 – Описание разъемов задней панели коммутатора

№	Элемент задней панели	Описание
1		Источник питания PM350-220/12
2		Вентилятор источника питания
3	~220 VAC 50 Hz max 1A	Разъем для подключения к источнику электропитания переменного тока.
4	Съемные вентиляторы	Съемные вентиляционные модули с возможностью горячей замены
5	OOB	Порт (out-of-band) 10/100/1000BASE-T (RJ-45) для удаленного управления устройством. Управление осуществляется по сети, изолированной от канала передачи данных.
6	USB	USB-порт.
7	Клемма заземления 	Клемма для заземления устройства.
8		Слот для резервного источника питания

### 2.4.3 Боковые панели устройства



Рисунок 3 – Правая боковая панель MES5448



Рисунок 4 – Левая боковая панель MES5448

На боковых панелях устройства расположены вентиляционные решетки, которые служат для отвода тепла. Не закрывайте вентиляционные отверстия посторонними предметами. Это может привести к перегреву компонентов устройства и вызвать нарушения в его работе. Рекомендации по установке устройства расположены в разделе «Установка и подключение».

### 2.4.4 Световая индикация

Состояние интерфейсов Ethernet индицируется двумя светодиодными индикаторами, *LINK/ACT* зеленого цвета и *SPEED* янтарного цвета. Расположение светодиодов показано на рисунках 15, 16, 17.

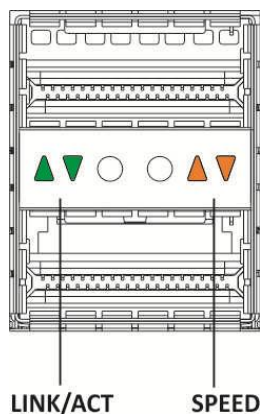


Рисунок 5 – Внешний вид разъема QSFP

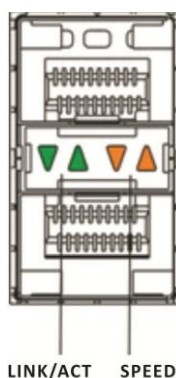


Рисунок 6 – Внешний вид разъема SFP/SFP+

Таблица 2.13 – Световая индикация состояния XLG портов

Свечение индикатора SPEED	Свечение индикатора LINK/ACT	Состояние интерфейса Ethernet
Выключен	Выключен	Порт выключен или соединение не установлено
Горит постоянно	Горит постоянно	Установлено соединение на скорости 40 Гбит/с
Горит постоянно	Мигание	Идет передача данных

Таблица 2.14– Световая индикация состояния XG портов

Свечение индикатора SPEED	Свечение индикатора LINK/ACT	Состояние интерфейса Ethernet
Выключен	Выключен	Порт выключен или соединение не установлено
Выключен	Горит постоянно	Установлено соединение на скорости 1 Гбит/с
Горит постоянно	Горит постоянно	Установлено соединение на скорости 10 Гбит/с
X	Мигание	Идет передача данных

Индикатор *Unit ID* (1-8) служит для обозначения номера устройства в стеке.

Системные индикаторы (Power, Master, Fan, RPS) служат для определения состояния работы узлов коммутатора.

Таблица 2.15– Световая индикация системных индикаторов

Название индикатора	Функция индикатора	Состояние индикатора	Состояние устройства
<i>Power</i>	Состояние источников питания	Выключен	Питание выключено
		Зеленый, горит постоянно	Питание включено, нормальная работа устройства
		Оранжевый, горит постоянно	Отсутствует первичное питание основного источника при питании от резервного источника либо отказ вентилятора первичного источника питания
		Красный, горит постоянно	Неисправность системы питания устройства
<i>Master</i>	Признак ведущего устройства при работе в стеке	Зеленый, горит постоянно	Устройство является «мастером» стека
		Выключен	Устройство не является «мастером» в стеке или не задан режим стекирования
<i>Fan</i>	Состояние вентилятора охлаждения	Зеленый, горит постоянно	Все вентиляторы исправны
		Красный, горит постоянно	Отказ одного или более вентиляторов
<i>RPS</i>	Режим работы резервного источника питания	Зеленый, горит постоянно	Резервный источник подключен и работает нормально
		Красный, горит постоянно	Отсутствие первичного питания резервного источника либо его неисправность, либо отказ вентилятора.
		Выключен	Резервный источник не подключен

## 2.5 Комплект поставки

В базовый комплект поставки входят:

- Ethernet-коммутатор;
- Комплект крепежа в стойку;
- Консольный кабель;
- Руководство по эксплуатации (поставляется на CD-диске);
- Сертификат соответствия;
- Паспорт.



По заказу покупателя в комплект поставки могут быть включены:

- Модули питания PM350-48/12 или PM350-220/12;
- Шнур питания (в случае комплектации модулем питания PM350-220/12);
- SFP, SFP+, QSFP трансиверы и QSFP Direct attach cable.



### 3 УСТАНОВКА И ПОДКЛЮЧЕНИЕ

В данном разделе описаны процедуры установки оборудования в стойку и подключения к питающей сети.

#### 3.1 Крепление кронштейнов

В комплект поставки устройства входят кронштейны для установки в стойку и винты для крепления кронштейнов к корпусу устройства. Для установки кронштейнов:

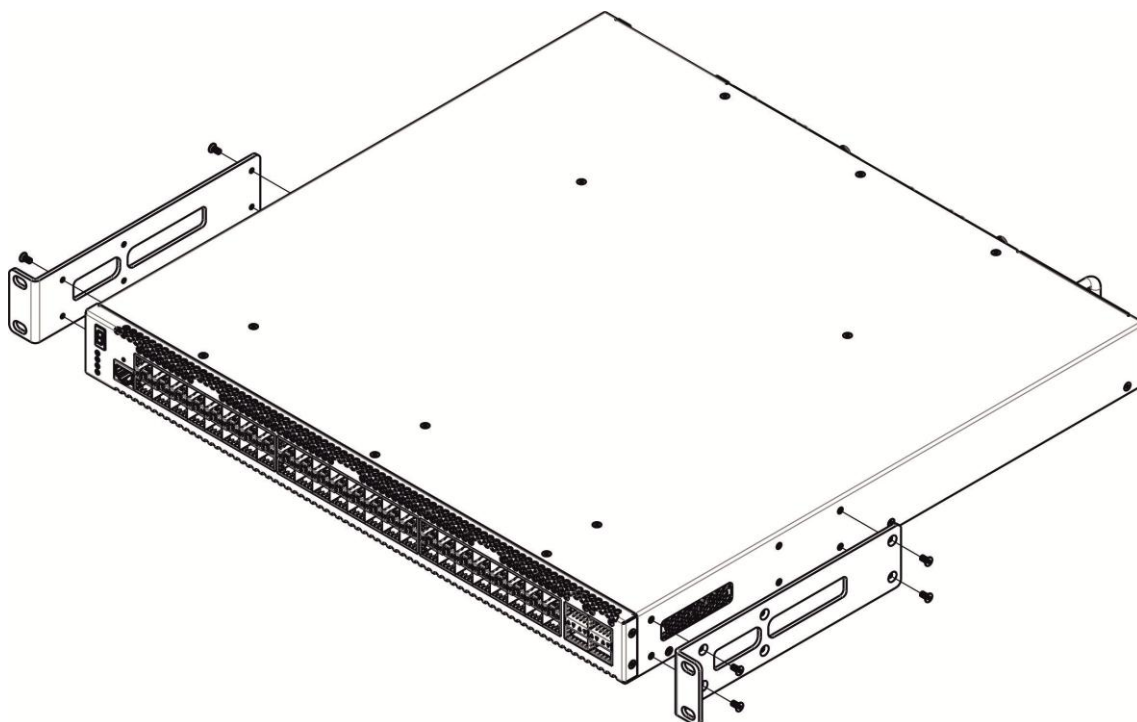


Рисунок 7 – Крепление кронштейнов

1. Совместите четыре отверстия для винтов на кронштейне с такими же отверстиями на боковой панели устройства.
2. С помощью отвертки прикрепите кронштейн винтами к корпусу.
3. Повторите действия 1,2 для второго кронштейна.

#### 3.2 Установка устройства в стойку

Для установки устройства в стойку:

1. Приложите устройство к вертикальным направляющим стойки.
2. Совместите отверстия кронштейнов с отверстиями на направляющих стойки. Используйте отверстия в направляющих на одном уровне с обеих сторон стойки, для того чтобы устройство располагалось горизонтально.
3. С помощью отвертки прикрепите коммутатор к стойке винтами.

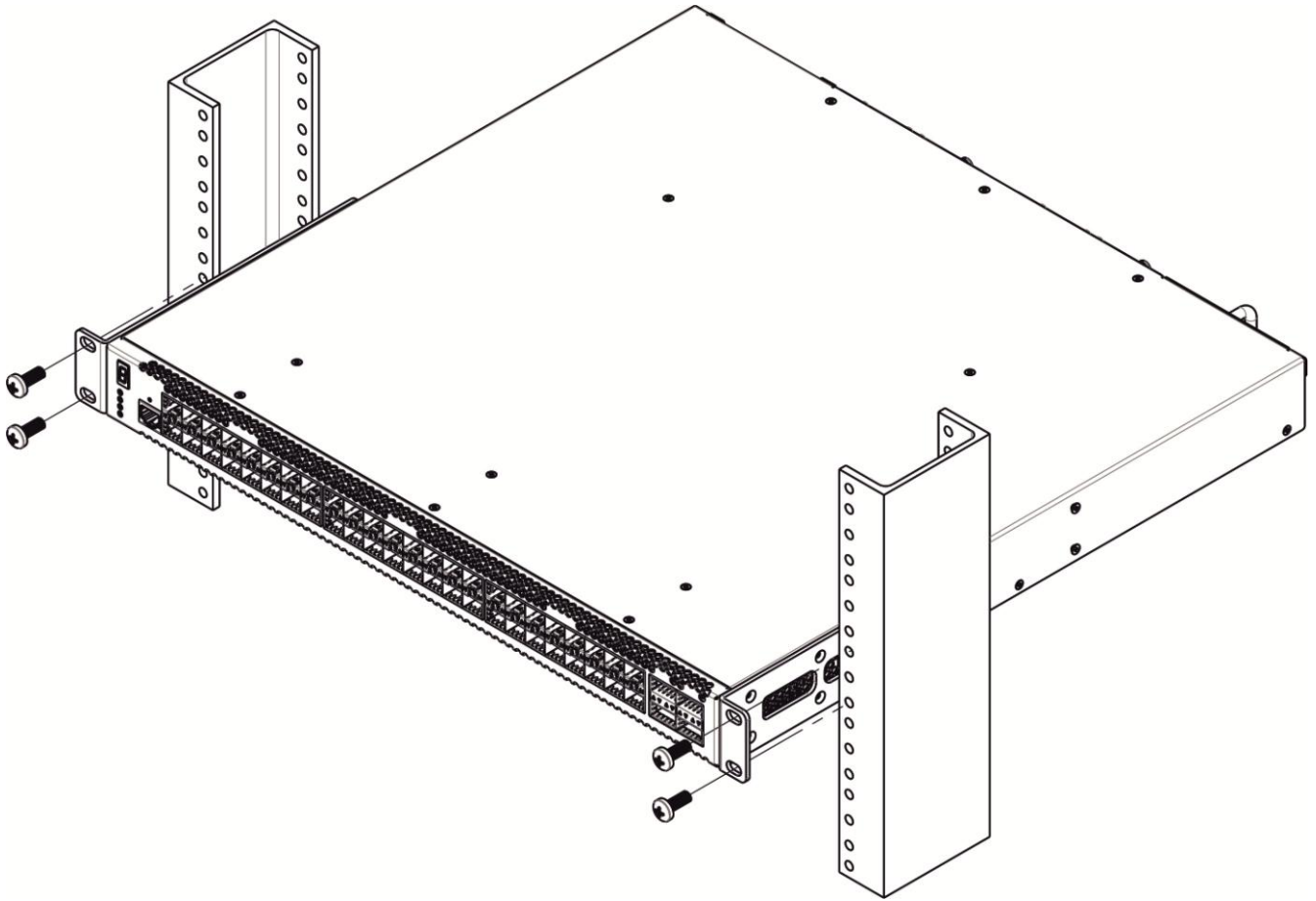


Рисунок 8– Установка устройства в стойку

На рисунке 9 приведен пример размещения коммутаторов MES5448 в стойке.

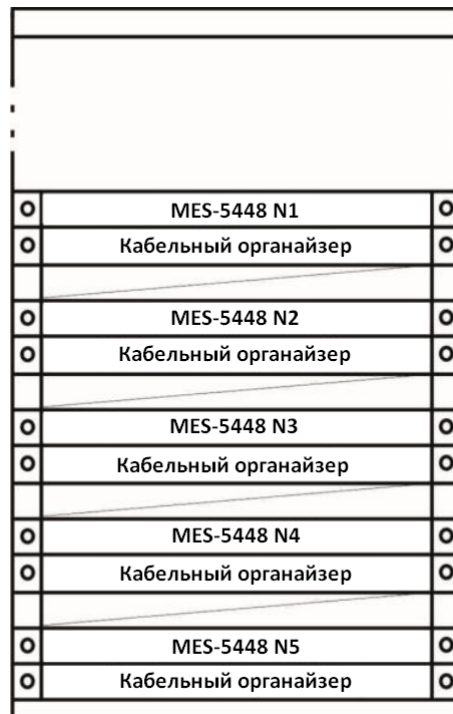


Рисунок 9 – Размещение коммутаторов MES5448 в стойке



Не закрывайте вентиляционные отверстия, а также вентиляторы, расположенные на задней панели, посторонними предметами во избежание перегрева компонентов коммутатора и нарушения его работы.

### 3.3 Установка модулей питания

Коммутатор может работать с одним или двумя модулями питания. Установка второго модуля питания необходима в случае использования устройства в условиях, требующих повышенной надежности.

Места для установки модулей питания с электрической точки зрения равноценны. С точки зрения устройства, модуль питания, находящийся слева (если смотреть на заднюю стенку коммутатора), считается основным, справа – резервным. Модули питания могут устанавливаться и извлекаться без выключения устройства. При установке или извлечении дополнительного модуля питания коммутатор продолжает работу без перезапуска.

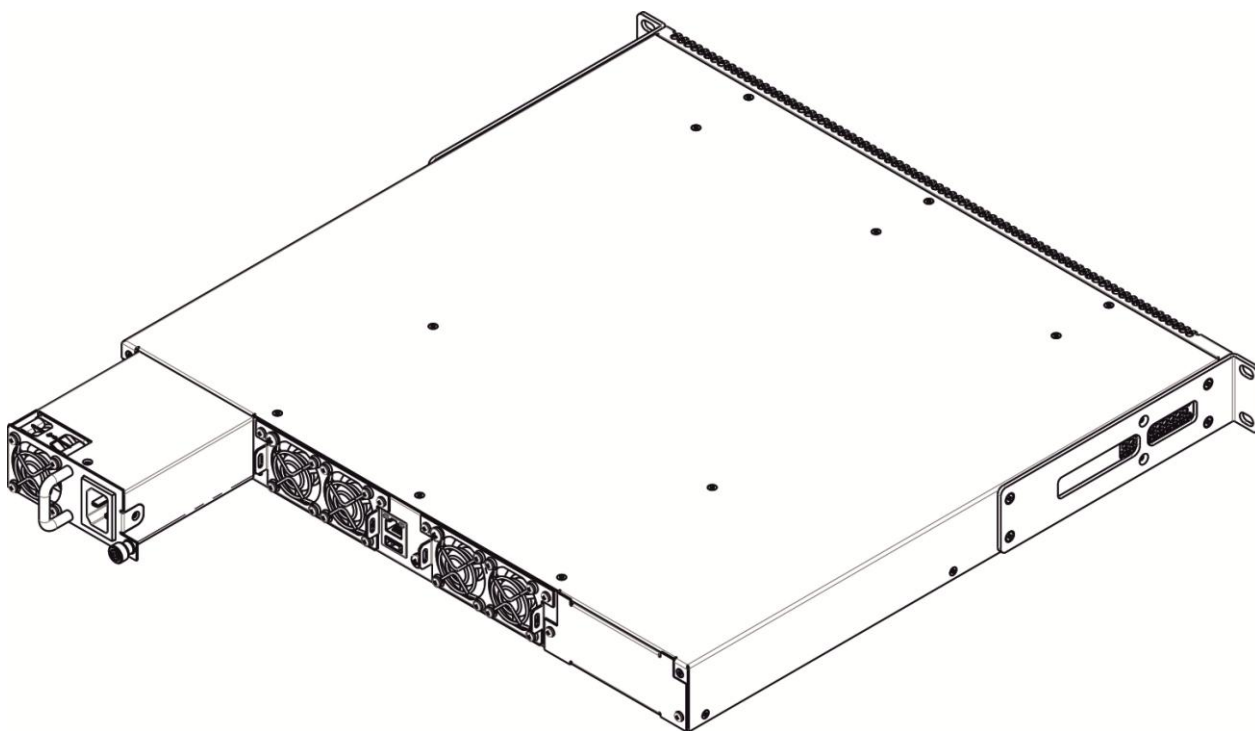


Рисунок 10 – Установка модулей питания.

Состояние модулей питания может быть проверено по индикации на передней панели коммутатора (см. раздел 2.4.4) или по диагностике, доступной через интерфейсы управления коммутатором.



Индикация аварии модуля питания может быть вызвана не только отказом модуля, но и отсутствием первичного питания.

### 3.4 Подключение питающей сети

1. Прежде, чем к устройству будет подключена питающая сеть, необходимо заземлить корпус устройства. Заземление необходимо выполнять изолированным многожиль-

ным проводом. Устройство заземления и сечение заземляющего провода должны соответствовать требованиями ПУЭ.

2. Если предполагается подключение компьютера или иного оборудования к консольному порту коммутатора, это оборудование также должно быть надежно заземлено.
3. Подключите к устройству кабель питания. В зависимости от комплектации устройства, питание может осуществляться от сети переменного тока, либо от сети постоянного тока. При подключении сети переменного тока следует использовать кабель, входящий в комплект устройства. Для подключения к сети постоянного тока используйте провод сечением не менее 1 мм<sup>2</sup>.
4. Включите питание устройства и убедитесь в отсутствии аварий по состоянию индикаторов на передней панели.

### 3.5 Установка и удаление SFP-трансиверов



**Установка оптических модулей может производиться как при выключенном, так и при включенном устройстве.**

1. Вставьте верхний SFP-модуль в слот открытой частью разъема вниз, а нижний SFP-модуль открытой частью разъема вверх.

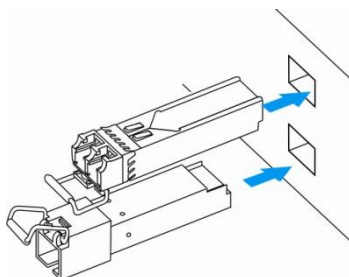


Рисунок 11 – Установка SFP-трансиверов

2. Надавите на модуль. Когда он встанет на место, вы услышите характерный щелчок.

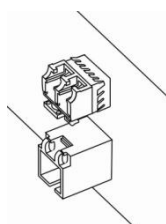


Рисунок 12 – Установленные SFP-трансиверы

Для удаления трансивера:

1. Откройте защелку модуля.

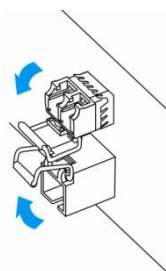
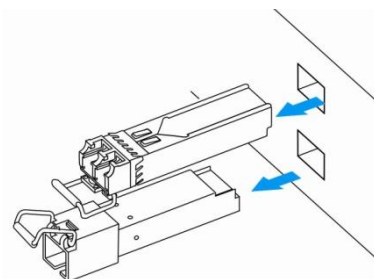


Рисунок 13 – Открытие защелки SFP-трансиверов

2. Извлеките модуль из слота.



*Рисунок 14 – Извлечение SFP-трансиверов*

## 4 ИСПОЛЬЗОВАНИЕ ИНТЕРФЕЙСА КОМАНДНОЙ СТРОКИ (CLI)

Интерфейс командной строки (Command Line Interface, CLI) – это средство для управления и мониторинга системы, основанное на текстовых командах. Вы можете получить доступ к CLI с помощью прямого подключения через последовательный интерфейс, либо с помощью удаленного логического подключения с использованием Telnet или SSH.

В данном разделе описаны синтаксис CLI, условные обозначения и режимы.

### 4.1 Синтаксис команд

Команда – одно или несколько слов, которые могут сопровождаться одним или несколькими параметрами. Параметры могут быть обязательными и опциональными..

Некоторые команды, как, например, `show network` или `clear vlan`, не требуют параметров. Другие команды, как `network parms`, требуют ввода значений после команды. Значения параметров необходимо вводить в определенном порядке: вначале обязательные, затем опциональные параметры. Так, следующий пример описывает синтаксис команды `network parms` :

```
network parms ipaddr netmask [gateway]
```

`network parms` имя команды.

`ipaddr` и `netmask` – обязательные параметры, представляющие собой значения, которые необходимо ввести после введения ключевых слов команды.

`[gateway]` - опциональный параметр, который не является необходимым для выполнения команды.

*Справочник команд CLI* содержит список команд (упорядоченный по имени команды) и предоставляет краткое описание каждой команды. В описании каждой команды также содержится следующая информация:

- «Формат» - ключевые слова команды, а также обязательные и опциональные параметры.
- «Режим ввода команд» - режим ввода команд, в котором появляется доступ к данной команде.
- «Значение по умолчанию» - значение конфигурируемых настроек по умолчанию (если есть) на данном устройстве.

Описание команд `show` также содержит указание на информацию, выводимую каждой такой командой.

### 4.2 Условные обозначения в описании команд

Параметры команды могут включать в себя обязательные и опциональные значения, а также список ключевых слов. Параметры вводятся в определенном порядке. **Таблица 4.1** описывает условные обозначения, используемые в этом документе для различия между типами значений.

Таблица 4.1 - Условные обозначения параметров

<i>Символ</i>	<i>Пример</i>	<i>Описание</i>
[] квадратные скобки	[value]	Опциональный параметр.
параметр, написанный курсивом.	value или [value]	Переменное значение. Вместо текста курсивом и скобок необходимо ввести соответствующее значение (имя или число).
{ } фигурные скобки	{choice1   choice2}	Требуется выбрать параметр из списка вариантов.
Вертикальная черта	choice1   choice2	Взаимоисключающие варианты.
[{ }] Фигурные скобки в квадратных	[{choice1   choice2}]	Выбор опционального элемента из предложенных.

### 4.3 Общие значения параметров

Значения параметров могут быть именами (последовательностями букв) или числами. При использовании пробела в качестве части параметра следует заключить значение в двойные кавычки. Например, система будет учитывать пробелы, если Вы используете выражение “System Name with Spaces”. Задание пользователем пустых последовательностей (“”) недопустимо. **Таблица 4.2** описывает общие значения параметров и правила задания формата значений.

Таблица 4.2 - Описание параметров

<i>Параметр</i>	<i>Описание</i>
<b>ipaddr</b>	Допустимый IP-адрес. IP-адрес может быть задан следующими способами: a (32 бит) a.b (8.24 бит) a.b.c (8.8.16 бит) a.b.c.d (8.8.8.8) Помимо вышеперечисленных форматов CLI допускает десятичный, шестнадцатеричный и восьмеричный форматы ввода (где n - любое действительное шестнадцатеричное, восьмеричное или десятичное число), осуществляемые следующим образом: 0xn (CLI предполагает шестнадцатеричный формат.) 0n (CLI предполагает восьмеричный формат с ведущими нулями.) n (CLI предполагает десятичный формат.)
<b>ipv6-address</b>	FE80:0000:0000:020F:24FF:FEBF:DBCВ, или FE80:0:0:0:20F:24FF:FEBF:DBCВ, или FE80::20F24FF:FEBF:DBCВ, или FE80:0:0:0:20F:24FF:128:141:49:32
<b>Интерфейс или unit/slot/port</b>	Допустимые номера слота и порта, разделенные косой чертой. Например, 0/1 означает номер слота 0 и номер порта 1.
<b>Логический интерфейс</b>	Логический номер слота и порта. Применимо для агрегированного интерфейса (LAG). Логические unit/slot/port могут использоваться для конфигурирования агрегированного интерфейса

<b>Последовательности символов</b>	Двойные кавычки используются для оформления последовательности символов, например, "System Name with Spaces". Пустая последовательность ("") недопустима.
------------------------------------	---

#### 4.4 Unit/slot/port, правила именования

Программное обеспечение обращается к физическим объектам (карты и порты), используя правило именования unit/slot/port. ПО также использует это сокращение для идентификации определенных логических объектов, таких как логический интерфейс агрегированного типа.

Номер слота может использоваться двумя способами. При обращении к физическому порту он идентифицирует карту, содержащую порты. При обращении к логическому порту и порту CPU он также идентифицирует тип интерфейса или порта.

Таблица 4.3 - Типы слотов

<i>Тип слота</i>	<i>Описание</i>
Номера физических слотов	Номера физических слотов начинаются с нуля и присваиваются до достижения максимального количества физических слотов.
Номера логических слотов	Логические слоты следуют за физическими слотами и идентифицируют логический агрегированный интерфейс (LAG) или интерфейсы маршрутизаторов. Значение номера логического слота зависит от типа логического интерфейса и может различаться в зависимости от платформы.
Номера слотов CPU	Слоты CPU следуют сразу за логическими слотами.

Порт определяет либо физический порт устройства, либо логический интерфейс, управление которым осуществляется в данном слоте.

Таблица 4.4 - Типы портов

<i>Тип порта</i>	<i>Описание</i>
Физические порты	Физические порты для каждого слота последовательно пронумерованы, начиная с единицы. Так, порт 1 на слоте 0 (внутренний порт) для коммутатора в автономном режиме (вне стека) - 1/0/1, порт 2 - 1/0/2, порт 3 - 1/0/3 и т.д.
Логические интерфейсы	Интерфейсы группы агрегации каналов (Link Aggregation Group, LAG) - логические интерфейсы, которые используются только для функций коммутации трафика. Интерфейсы маршрутизации VLAN используются только для функций маршрутизации. Loopback-интерфейсы - логические интерфейсы, которые всегда включены. Туннельные интерфейсы - логические двухточечные (p2p) соединения, которые пропускают инкапсулированные пакеты.
Порты CPU	Порты CPU обрабатываются драйвером как один или несколько физических объектов, расположенных на физических слотах.



**CLI не использует формат unit/slot/port для loopback- и туннельных интерфейсов. Чтобы задать loopback-интерфейс, используйте loopback-идентификатор. Чтобы задать туннельный интерфейс – туннельный идентификатор.**



## 4.5 Использование отрицательной формы команд

Ключевое слово `no` представляет собой отрицательную форму существующей команды и не является самостоятельной командой. Почти у каждой команды конфигурации есть отрицательная форма. В основном она используется, чтобы отменить действие команды или вернуться к значению по умолчанию. Например, команда конфигурации `no shutdown` отменяет завершение работы интерфейса. Используйте команду без ключевого слова `no` для повторного включения отключенной опции или активации опции, отключенной по умолчанию. Отрицательная форма доступна только для команд конфигурации.

## 4.6 Выполнение команд `show`

Все команды просмотра оперативного состояния устройства (команды `show`) выполняются в любом режиме конфигурации (режимы глобальной конфигурации, конфигурирования интерфейса, конфигурирования VLAN и т.д.). Команды `show` предоставляют информацию о системе и особенностях конкретной конфигурации, ее состоянии и статистике. Ранее команды `show` были доступны только в пользовательском или привилегированном режимах.

## 4.7 Фильтрация вывода данных CLI

Многие `Show`-команды CLI выводят значительные объемы данных, что может осложнить поиск желаемой информации. Функция "Фильтрация вывода данных CLI" позволяет пользователю при выполнении команд CLI "`show display`" дополнительно определить параметры фильтрации выходных данных с целью вывода только необходимой информации. Суть состоит в том, чтобы уменьшить объемы выводимых на дисплей данных и упростить поиск интересующей пользователя информации.

Основные функции фильтрации вывода данных CLI:

- Управление постраничным выводом
  - Поддержка включения/отключения постраничного вывода данных для всех команд просмотра CLI. Когда функция отключена, производится вывод всей совокупности данных. Когда функция включена, вывод данных на экран идет постранично, для просмотра дальнейшей информации требуется нажать клавишу. В конце каждой страницы отображается --More-- (Дальше) или (q)uit (Q, выход).
  - При включенном постраничном выводе: нажмите клавишу Enter, чтобы продвинуться по одной строке; нажмите "q" или "Q", чтобы отменить постраничный вывод; нажмите любую другую клавишу, чтобы перейти на следующую страницу. Изменить эти клавиши нельзя.



**Некоторые команды `show` уже поддерживают функцию постраничного вывода, некоторые – нет, и она применима не ко всем командам.**

- Фильтрация вывода данных

- Управление отображением данных по принципу grep для вывода желаемой информации.
  - Отфильтровать отображаемые данные, включив только строки, содержащие заданную последовательность.
  - Отфильтровать отображаемые данные, исключив строки, содержащие заданную последовательность.
  - Отфильтровать отображаемые данные, включив только строки, включающие в себя заданную последовательность, и все, следующие за ними.
  - Отфильтровать отображаемые данные, включив заданный раздел содержимого вывода (например, "interface 0/1") с конфигурируемым ограничителем.
  - При нахождении последовательности регистр не учитывается.
  - Включенный постраничный вывод также применяется к фильтрации выходных данных.

## 4.8 Модули программного обеспечения

ПО состоит из множества независимых друг от друга модулей, которые можно компоновать в произвольной комбинации для разработки передовых продуктов уровней 2/3/4+. Команды и режимы ввода команд, доступные на Вашем коммутаторе, зависят от установленных модулей. Кроме того, для некоторых show-команд поля вывода могут меняться в зависимости от модулей, включенных в конкретную сборку.

Комплект программного обеспечения включает следующие модули:

- Коммутация (уровень 2)
- Маршрутизация (уровень 3)
- IPv6-маршрутизация
- Multicast (мультикаст, мультивещание)
- BGP-4
- Качество обслуживания (QoS)
- Управление (CLI, Web UI и SNMP)
- IPv6-управление — позволяет управлять устройством через протокол IPv6 (не требует наличия модуля IPv6-маршрутизации в системе). Адрес управления IPv6 может быть привязан к сетевому порту (порты передней панели коммутатора), интерфейсу VLAN и служебному порту.
- Metro
- Стекирование
- Центр обработки и хранения данных (DataCenter)
- Secure Management (безопасное управление)

Некоторые модули недоступны для некоторых платформ или версий программного обеспечения.

## 4.9 Режим ввода команд

Команды CLI сгруппированы по режимам ввода в соответствии с функцией команды. Каждый из режимов ввода команд поддерживает определенные команды программного обеспечения. Команды того или иного режима будут недоступны, пока Вы не переключитесь на этот режим, за исключением команд пользовательского режима. Команды пользовательского режима выполняются и в привилегированном режиме.

В каждом режиме подсказки командной строки изменяются, чтобы помочь Вам определить текущий режим. **Таблица 4.5** содержит режимы ввода команд и подсказки, видимые в этих режимах.



**Режимы ввода команд, доступные на Вашем коммутаторе, зависят от установленных модулей ПО. Например, коммутатор, который не поддерживает BGPv4, не имеет режима ввода команд BGPv4-маршрутизатора.**

Таблица 4.5 - Командные режимы CLI

<i>Режим ввода команд</i>	<i>Подсказка</i>	<i>Описание режима</i>
Пользовательский режим	Switch>	Содержит ограниченный набор команд для просмотра базовой информации о системе.
Привилегированный режим	Switch#	Позволяет выполнить любую команду пользовательского/привилегированного режима, войти в режим VLAN или в режим глобальной конфигурации
Режим глобальной конфигурации	Switch (Config)#	Объединяет общие команды установки и позволяет вносить изменения в текущую конфигурацию.
Режим конфигурации VLAN	Switch (Vlan)#	Объединяет все команды VLAN.
Режим конфигурирования интерфейса	Switch (Interface <i>unit/slot/ port</i> )# Switch (Interface Loopback <i>id</i> )# Switch (Interface Tunnel <i>id</i> )# Switch (Interface <i>unit/slot/port (startrange)-unit/slot/port(endrange)</i> )# Switch (Interface lag <i>lag-intf-num</i> )# Switch (Interface <i>vlan vlan-id</i> )#	Управляет работой интерфейса и обеспечивает доступ к командам конфигурирования интерфейса коммутатора. Используйте этот режим, чтобы настроить физический порт для операций через логическое соединение. Также этот режим используется для настройки диапазона интерфейсов. Подсказка может отобразиться так: Switch (Interface 1/0/1-1/0/4) # Вход в режим конфигурирования интерфейса LAG для заданного LAG. Вход в режим конфигурирования интерфейса маршрутизации VLAN для заданного идентификатора VLAN.

Line Console	Switch (config-line)#	Содержит команды конфигурирования настроек исходящего трафика telnet и интерфейса консоли, а также настройки аутентификации пользователя при входе/запуске консоли.
Line SSH	Switch (config-ssh)#	Содержит команды конфигурирования аутентификации при входе/включении SSH.
Line Telnet	Switch (config-telnet)#	Содержит команды конфигурирования аутентификации при входе/включении telnet.
Конфигурирование пользователя IAS AAA	Switch (Config-IAS-User)#	Позволяет сконфигурировать пароль для пользователя в базе данных IAS.
Конфигурирование почтового сервера	Switch (Mail-Server)#	Позволяет сконфигурировать сервер электронной почты.
Конфигурирование Policy Map	Switch (Config-policy-map)#	Содержит команды конфигурирования QoS Policy-Map
Конфигурирование Policy Class	Switch (Config-policy-class-map)#	Состоит из команд создания класса, удаления и соответствия. Команды соответствия класса задают L2, L3 и общие критерии соответствия.
Конфигурирование Class Map	Switch (Config-class-map)#	Содержит команды конфигурирования карты класса QoS для IPv4.
Конфигурирование Ipv6_Class-Map	Switch (Config-class-map)#	Содержит команды конфигурирования карты класса QoS для IPv6.
Конфигурирование OSPF маршрутизатора	Switch (Config-router)#	Содержит команды конфигурирования OSPF.
Конфигурирование OSPFv3 маршрутизатора	Switch (Config rtr)#	Содержит команды конфигурирования OSPFv3.
Конфиг. RIP маршр.	Switch (Config-router)#	Содержит команды конфигурирования RIP.
Конфиг. BGP маршр.	Switch (Config-router)#	Содержит команды конфигурирования BGP4.
Конфигурирование маршрутной карты	Switch (config-route-map)#	Содержит команды конфигурирования маршрутной карты.
Конфигурирование семейства адресов IPv6	Switch (Config-router-af)#	Содержит команды конфигурирования семейства IPv6-адресов.
Конфиг. шаблона узла сети (Peer Template)	(Config-rtr-templt)#	Содержит команды конфигурирования шаблона BGP-узла.
Конфиг. динамической авторизации RADIUS	(Config-radius-da)	Содержит команды динамической авторизации Radius.

Конфиг. MAC Access-list	Switch (Config-mac-access-list)#	Позволяет создавать ACL MAC и использовать команды конфигурирования списка доступа MAC.
Конфиг. IPv4 Access-list	Switch (Config-ipv4-acl)#	Позволяет Вам создавать именованный или расширенный список доступа IPv4 и использовать команды конфигурации списка доступа IPv4.
Конфиг. IPv6Access-list	Switch (Config-ipv6-acl)#	Позволяет Вам создавать список доступа IPv6 и использовать команды конфигурации списка доступа IPv6.
Конфиг. списка доступа управления (Management Access-list)	Switch (config-macal)#	Позволяет Вам создавать список доступа управления и использовать команды конфигурации списка доступа управления.
Конфиг. TACACS	Switch (Tacacs)#	Содержит команды конфигурации свойств TACACS-серверов
Режим конфиг. группы пользователей	Switch (config-usergroup)	Содержит команды группы пользователей
Режим конфиг. группы заданий	Switch (config-taskgroup)	Содержит команды группы заданий
Конфиг. пула DHCP (DHCP Pool)	Switch (Config dhcp-pool)#	Содержит команды конфигурирования пула IP-адреса сервера DHCP.
Конфиг. пула DHCPv6	Switch (Config dhcp6-pool)#	Содержит команды конфигурирования пула адресов IPv6 сервера DHCPv6.
Режим глобальной конфигурации стека	Switch (Config stack)#	Позволяет Вам получать доступ к режиму глобальной конфигурации стека.
Режим конфиг. списка доступа ARP	Switch (Config-arp-access-list)#	Содержит команды для добавления правил в список доступа ARP.
Режим поддержки (Support Mode)	Switch (Support)#	Позволяет получить доступ к командам поддержки, которые должны использоваться только персоналом технической поддержки производителя, поскольку неправильное использование может вызвать сбой системы и/или аннулировать гарантию продукта.


**Таблица 4.6** объясняет, как войти/выйти из любого режима. Чтобы выйти из режима и возвратиться к предыдущему режиму, введите «exit». Чтобы перейти к привилегированному режиму, используйте сочетание клавиш CTRL+Z.



Нажатие CTRL+Z позволяет перейти из привилегированного режима в пользовательский режим. Чтобы выйти из пользовательского режима, воспользуйтесь "выходом из системы".

Таблица 4.6 - Режимы ввода команд CLI (Доступ и выход)

<i>Режим ввода команд</i>	<i>Как получить доступ</i>
Пользовательский режим	Это первый уровень доступа.
Привилегированный режим	В пользовательском режиме введите <b>enable</b>
Режим глобальной конфигурации	В привилегированном режиме введите <code>configure</code>
Конфигурация VLAN	В привилегированном режиме введите <code>vlan database</code>
Конфигурация интерфейса	В режиме глобальной конфигурации введите: <code>interface unit/slot/port or</code> <code>interface loopback id or</code> <code>interface tunnel id</code> <code>interface unit/slot/port(startrange)-unit/slot/port(endrange)</code> <code>interface lag lag-intf-num</code> <code>interface vlan vlan-id</code>
Line Console	В режиме глобальной конфигурации введите <code>line console.</code>
Line SSH	В режиме глобальной конфигурации введите <code>line ssh.</code>
Line Telnet	В режиме глобальной конфигурации введите <code>line telnet.</code>
AAA IAS User Config	В режиме глобальной конфигурации введите <code>aaa ias-user username name</code>
Конфигурация почтового сервера	В режиме глобальной конфигурации введите <code>mail-server address</code>
Конфигурация Policy-Map	В режиме глобальной конфигурации введите <code>policy-map</code>
Конфигурация Policy-Class-Map	В режиме глобальной конфигурации введите <code>class-map</code> , и укажите дополнительное ключевое слово <code>ipv4</code> , чтобы задать протокол уровня 3 для этого класса.
VPC	В режиме глобальной конфигурации введите <code>vpc</code>
Конфигурация Ipv6-Class-Map	В режиме глобальной конфигурации введите <code>class-map</code> и укажите дополнительное ключевое слово <code>ipv6</code> чтобы задать протокол уровня 3 для этого класса.
Конфигурация OSPF Маршр.	В режиме глобальной конфигурации введите <code>router ospf</code>
Конфигурация OSPFv3 Маршр.	В режиме глобальной конфигурации введите <code>ipv6 router ospf</code>
Конфигурация RIP маршр.	В режиме глобальной конфигурации введите <code>router rip</code>
Конфигурация BGP маршр.	В режиме глобальной конфигурации введите <code>router bgp</code>
Конфигурация карты маршрутизации	В режиме глобальной конфигурации введите <code>route-map map-tag</code>
Конфигурация семейства	В режиме конфигурирования BGP маршрутизатора введите

адресов IPv6	address-family ipv6
Конфигурация шаблона узла	В режиме конфигурирования BGP маршрутизатора введите <code>template peer name</code> для создания шаблона BGP-узла
Конфигурация MAC Access-list	В режиме глобальной конфигурации введите <code>mac access-list extended name</code>
Конфигурация IPv4 Access-list	В режиме глобальной конфигурации введите <code>ip access-list name</code>
Конфигурация IPv6 Access-list	В режиме глобальной конфигурации введите <code>ipv6 access-list name</code>
Конфигурация Management Access-list	В режиме глобальной конфигурации введите <code>management access-list name</code>
Конфигурация TACACS	В режиме глобальной конфигурации введите <code>tacacs-server host ip-addr</code> , где <code>ip-addr</code> – IP-адрес сервера TACACS Вашей сети.
Режим конфигурации пользовательской группы	В режиме глобальной конфигурации введите команду <code>usergroup &lt;usergroup-name&gt;</code>
Режим конфигурации группы заданий	В режиме глобальной конфигурации введите <code>taskgroup &lt;taskgroup-name&gt;</code>
Конфигурация пула DHCP	В режиме глобальной конфигурации введите <code>ip dhcp pool pool-name</code>
Конфигурация пула DHCPv6	В режиме глобальной конфигурации введите <code>ip dhcpv6 pool pool-name</code>
Режим глобальной конфигурации стека	В режиме глобальной конфигурации введите команду <code>stack</code>
Режим конфигурации ARP Access-List	В режиме глобальной конфигурации введите команду <code>arp access-list</code>
Режим поддержки	В привилегированном режиме введите <code>support</code>  <b>Команда <code>support</code> доступна только при выполненной команде <code>techsupport enable</code></b>

#### 4.10 Автоматическое дополнение и сокращение команд

Автоматическое дополнение команды завершает ее ввод, когда Вы вводите достаточное количество букв для однозначной идентификации ключевого слова команды. Как только Вы набрали достаточное количество символов, нажмите клавишу ПРОБЕЛ (SPACEBAR) или клавишу TAB, чтоб дополнить слово до его полной формы.

Сокращенные команды могут быть выполнены, когда Вами введено достаточное количество символов для однозначной идентификации команды. Вы должны ввести все необходимые ключевые слова и параметры перед отправкой команды на исполнение (нажатием клавиши ENTER).

#### 4.11 Сообщения об ошибках в командном интерфейсе

Сообщение об ошибке появляется в случае введения команды, которую система не может выполнить. **Таблица 4.7** описывает наиболее распространенные сообщения об ошибках в CLI.

Таблица 4.7 - Сообщения об ошибках в командном интерфейсе

<i>Текст сообщения</i>	<i>Описание</i>
% Invalid input detected at '^' marker.	Команда введена неверно или невыполнима. Знак (^) показывает, где был введен недопустимый текст. Также это сообщение появляется, если распознаны не все параметры или значения.
Command not found/ Incomplete command. Use ? to list commands.	Не введены требуемые ключевые слова или значения.
Ambiguous command	Не введено достаточное количество знаков для однозначной идентификации команды

## 4.12 Правила редактирования командной строки

Таблица 4.8 содержит сочетания клавиш, которые Вы можете использовать для редактирования команд или увеличения скорости ввода команды. Вы можете получить доступ к данному списку через CLI, введя help в пользовательском или привилегированном режиме.

Таблица 4.8 - Правила редактирования командной строки

<i>Сочетание клавиш</i>	<i>Описание</i>
DEL or Backspace	Удалить предыдущий символ.
Ctrl-A	Вернуться к началу строки.
Ctrl-E	Вернуться к концу строки.
Ctrl-F	Продвинуться вперед на один символ.
Ctrl-B	Продвинуться назад на один символ
Ctrl-D	Удалить данный символ.
Ctrl-U, X	Удалить начало строки до символа.
Ctrl-K	Удалить конец строки после символа.
Ctrl-W	Удалить предыдущее слово.
Ctrl-T	Переместить предыдущий символ.
Ctrl-P	Перейти к предыдущей строке в истории команд.
Ctrl-R	Перезаписать или вставить строку.
Ctrl-N	Перейти к следующей строке в истории команд.
Ctrl-Y	Ввести последний удаленный символ.
Ctrl-Q	Включить последовательный поток
Ctrl-S	Выключить последовательный поток.
Ctrl-Z	Возврат к корневому режиму CLI.
Tab, <SPACE>	Дополнить команду.
Exit	Переход к предыдущему режиму конфигурирования CLI
?	Вывести список доступных команд, ключевых слов или параметров.



## 4.13 Использование справки командного интерфейса

Введите вопросительный знак (?) в поле командной строки для отображения команд, доступных в текущем режиме.

```
(switch) >?
```

enable	Enter into user privilege mode.
help	Display help for various special keys.
logout	Exit this session. Any unsaved changes are lost.
password	Change an existing user's password.
ping	Send ICMP echo packets to a specified IP address.
quit	Exit this session. Any unsaved changes are lost.
show	Display Switch Options and Settings.
telnet	Telnet to a remote host.

Введите вопросительный знак (?) после любого введенного слова, чтобы отобразить доступные ключевые слова и параметры команды.

```
(switch) #network ?
```

ipv6	Configure IPv6 parameters for system network.
javamode	Enable/Disable.
mac-address	Configure MAC Address.
mac-type	Select the locally administered or burnedin MAC address.
mgmt_vlan	Configure the Management VLAN ID of the switch.
parms	Configure Network Parameters of the device.
protocol	Select DHCP, BootP, or None as the network config protocol.

Если при выводе справки параметр указан в угловых скобках, необходимо заменить данный параметр значением.

```
(Routing) #network parms ?
```

<ipaddr>	Enter the IP Address.
none	Reset IP address and gateway on management interface

Если нет никаких дополнительных ключевых слов или параметров команды, либо дополнительные параметры необязательны, появляется следующее сообщение:

```
<cr> Press Enter to execute the command
```

Вы можете также ввести вопросительный знак (?) после набора одной или более букв слова, чтобы отобразить список доступных команд или параметров, начинающихся с этих букв, как показано ниже:

```
(switch) #show m?
```

mac	mac-addr-table	mac-address-table
mail-server	mbuf	monitor

## 4.14 Доступ к командному интерфейсу

Вы можете получить доступ к CLI с помощью прямого подключения через консоль или с помощью соединения через Telnet или SSH с устройства удаленного управления.

При первом подключении Вы должны использовать прямое подключение к порту консоли. Нельзя получить удаленный доступ к системе, пока она не имеет IP-адрес, маску подсети и шлюз по умолчанию. Вы можете установить информацию о конфигурации сети вручную или сконфигурировать систему для приема этих настроек с сервера BOOTP или DHCP в Вашей сети. Для получения дополнительной информации см. раздел "Команды настройки интерфейса удалённого управления".

## 4.15 Программное управление кнопкой F

### *reset-button enable*

Программное включение кнопки F. Удерживанием кнопки F в течении 10 секунд можно произвести сброс конфигурации устройства к заводским настройкам.

<b>Значение по умолчанию</b>	Включено
<b>Формат</b>	reset-button enable
<b>Режим ввода команды</b>	Режим глобальной конфигурации

### *reset-button disable*

Программное отключение кнопки F.

<b>Значение по умолчанию</b>	Выключено
<b>Формат</b>	reset-button disable
<b>Режим ввода команды</b>	Режим глобальной конфигурации

### *no reset-button*

Программно активировать кнопку F.

<b>Формат</b>	no reset-button
<b>Режим ввода команд</b>	Привилегированный режим

### *reset-button reload-only*

Программное отключение кнопки F. После того, как отпустить кнопку, или после 10 секунд, произойдет перезагрузка. Конфигурация останется без изменений.

<b>Значение по умолчанию</b>	Выключено
<b>Формат</b>	reset-button reload-only
<b>Режим ввода команды</b>	Режим глобальной конфигурации

### *no reset-button*

Программно активировать кнопку F.

<b>Формат</b>	no reset-button
---------------	-----------------



## 5 КОМАНДЫ БАЗОВОЙ РАБОТЫ СИСТЕМЫ

В этой главе описываются команды работы с системой и настройками мониторинга, доступные в CLI.



Команды этого раздела делятся на 2 функциональные группы:

- Команды просмотра оперативного состояния (команды `show`) отображают настройки коммутации, статистику и другую информацию.
- Команды конфигурации настраивают функции и параметры коммутатора. Каждой команде конфигурации соответствует команда `show`, которая показывает настройки конфигурации.

### 5.1 Команды автоматической установки

Функция автоматической установки (AutoInstall) позволяет автоматически обновлять образ ПО и конфигурацию коммутатора. Она дает возможность производить автоматическое обновление ПО и загрузку конфигурации коммутатора без участия пользователя либо с минимальным участием.

Автоматическая установка включает в себя следующие возможности:

- Загрузка образа ПО с TFTP-сервера с использованием DHCP-опции 125. В результате обновления образа программное обеспечение коммутатора может быть обновлено либо возвращено к более ранней версии.
- Автоматическая загрузка файла конфигурации с TFTP-сервера при загрузке коммутатора без сохраненного в постоянной памяти файла конфигурации.
- Автоматическая загрузка образа ПО с TFTP-сервера в следующих случаях:
  - если при загрузке коммутатора не найдена сохраненная конфигурация;
  - при загрузке коммутатора, в сохраненной конфигурации которого включена функция автоматического обновления.

Если при загрузке коммутатора не найден файл конфигурации, выполняется попытка получить IP-адрес от DHCP-сервера сети. Ответ от DHCP-сервера включает в себя IP-адрес TFTP-сервера, где хранится образ ПО и файлы конфигурации.

После получения от DHCP-сервера IP-адреса и сопутствующей информации коммутатор загружает с TFTP-сервера образ ПО или файл конфигурации. Загруженный образ устанавливается автоматически. Загруженный файл конфигурации сохраняется в энергонезависимой памяти коммутатора.



Автоматическая установка с использованием TFTP-сервера может выполняться на любом IP-интерфейсе, включая сетевой порт, сервисный порт и интерфейсы маршрутизации. Для поддержки автоматической установки DHCP-клиент включается по ходу работы на сервисном порте либо на сетевом порте.

### ***boot autoinstall***

Команда предназначена для оперативного запуска или остановки процесса автоматической установки на коммутаторе. Не является конфигурационной, поэтому не сохраняется в текущем или загрузочном файле конфигурации.

**Значение по умолчанию:** остановлено  
**Формат:** `boot autoinstall {start | stop}`  
**Режим ввода команд:** привилегированный

### ***boot host retrycount***

Эта команда устанавливает количество попыток загрузки файла конфигурации с TFTP-сервера.

**Значение по умолчанию:** 3  
**Формат:** `boot host retrycount 1-3`  
**Режим ввода команд:** привилегированный

### ***no boot host retrycount***

Команда используется, чтобы установить количество попыток загрузки файла конфигурации в значение по умолчанию.

**Формат:** `no boot host retrycount`  
**Режим ввода команд:** привилегированный

### ***boot host dhcp***

Эта команда включает функцию автоматической установки на коммутаторе при следующей перезагрузке. Команда не влияет на текущие настройки автоматической установки и сохраняется в энергонезависимой памяти коммутатора.

**Значение по умолчанию:** включено  
**Формат:** `boot host dhcp`  
**Режим ввода команд:** привилегированный

### ***no boot host dhcp***

Данная команда выключает функцию автоматической установки на коммутаторе при следующей перезагрузке.

**Формат:** `no boot host dhcp`  
**Режим ввода команд:** привилегированный

### ***boot host autosave***

Команда для автоматического сохранения загруженного файла конфигурации в качестве файла стартовой конфигурации коммутатора. Если автоматическое сохранение выключено, требуется явным образом сохранять загруженную конфигурацию в энергонезависимой памяти с помощью команды `write memory` или `copy system:running-config nvram:startup-config`. Если загруженная конфигурация не была сохранена, после перезагрузки коммутатора с включенной функцией AutoInstall опять начинается процесс автоматической установки.

---

**Значение по умолчанию:** выключено  
**Формат:** boot host autosave  
**Режим ввода команд:** привилегированный

*no boot host autosave*

Данная команда используется для отмены автоматического сохранения загруженного файла конфигурации на коммутаторе.

**Формат:** no boot host autosave  
**Режим ввода команд:** привилегированный

### ***boot host autoreboot***

Команда разрешает автоматическую перезагрузку коммутатора после успешной загрузки образа ПО. Разрешение на автоматическую перезагрузку позволяет активировать образ ПО и перезагрузить коммутатор без дополнительных административных действий.

**Значение по умолчанию:** включено  
**Формат:** boot host autoreboot  
**Режим ввода команд:** привилегированный

*no boot host autoreboot*

Данная команда используется для запрета автоматической перезагрузки коммутатора после загрузки образа ПО с использованием функции автоматической установки.

**Формат:** no boot host autoreboot  
**Режим ввода команд:** привилегированный

### ***erase startup-config***

Команда, которая удаляет текстовый файл конфигурации, сохраненный в энергонезависимой памяти. Если при загрузке коммутатора не найден файл стартовой конфигурации, запускается процесс автоматической установки.

**Формат:** erase startup-config  
**Режим ввода команд:** привилегированный

### ***erase factory-defaults***

Данная команда удаляет текстовый файл с заводскими настройками конфигурации, сохраненный в энергонезависимой памяти.

**Значение по умолчанию:** выключено  
**Формат:** erase factory-defaults  
**Режим ввода команд:** привилегированный

### ***show autoinstall***

Команда для отображения текущего состояния процесса автоматической установки.

**Формат:** show autoinstall  
**Режим ввода команд:** привилегированный

### ***copy <url> backup***

Загрузить новый резервный образ ПО. Загрузка устройства осуществляется из файла системного программного обеспечения (ПО), который хранится во флэш-памяти. При обновлении новый файл системного ПО сохраняется в специально выделенной области памяти.

**Значение по умолчанию** Выключено  
**Формат** copy<tftp|ftp|scp|sftp|usb://<ipaddr>/<filepath>/<filename>>|xmodem | ymodem | zmodem | backup  
**Режим ввода команды** Привилегированный режим

### ***boot system backup***

Переключиться на резервный образ после перезагрузки. При загрузке устройство запускает активный файл системного ПО.

**Значение по умолчанию** Выключено  
**Формат** boot system backup  
**Режим ввода команды** Привилегированный режим

### ***exception protocol***

Используйте эту команду, чтобы указать протокол, используемый для хранения файла coredump. Всего локально может быть сохранено не более 4 coredump-файлов

**Значение по умолчанию** Выключено  
**Формат** exception protocol {nfs| tftp | ftp | local | usb | none}  
**Режим ввода команды** Режим глобальной конфигурации

### ***no exception protocol***

Отключить сохранение coredump-файла.

**Значение по умолчанию** Выключено  
**Формат** exception protocol {nfs| tftp | ftp | local | usb | none}  
**Режим ввода команды** Режим глобальной конфигурации

### ***exception switch-chip-register***

Включает сохранение при падении дампа регистров свитча. Дамп сохраняется отдельно в файл reg\_core\_<timestamp>.x.{bz2,bin} Регистрация дампа берется только для ведущего устройства, а не для backup.

---

Значение по умолчанию	Выключено
Формат	exception switch-chip-register {enable   disable}
Режим ввода команды	Режим глобальной конфигурации

### ***exception dump stack-ip-address protocol***

Эта команда настраивает протокол (dhcp или static), который будет использоваться для настройки служебного порта при сбое устройства. Если он настроен как dhcp, то устройство получает IP-адрес с сервера dhcp, доступного в сети.

Значение по умолчанию	Выключено
Формат	exception dump stack-ip-address protocol {dhcp   static}
Режим ввода команды	Режим глобальной конфигурации

### ***no debug crashlog verbose***

Отключить генерацию файла о потоках и системе.

Значение по умолчанию	Выключено
Формат	copy nvram:errorlog <tftp ftp scp sftp usb:// <ipaddr>/<filepath>/<filename>>  xmodem   ymodem   zmodem
Режим ввода команды	Режим глобальной конфигурации

## **5.2 Фильтрация вывода CLI**

### ***show xxx|include "string"***

Команда **xxx** выполняется, и при выводе результаты фильтруются следующим образом: отображаются только строки, содержащие совпадение **string**. Строки, не соответствующие этому условию, при выводе скрываются.

### ***show xxx|include "string" exclude "string2"***

Команда **xxx** выполняется, и при выводе результаты фильтруются следующим образом: отображаются только строки, содержащие совпадение **string** и не содержащие совпадение **string2**. Строки, не соответствующие этим условиям, при выводе скрываются. Если строка вывода соответствует только одному из условий и не соответствует другому, она будет скрыта.

### ***show xxx|exclude "string"***

Команда **xxx** выполняется, и при выводе результаты фильтруются следующим образом: отображаются только строки, не содержащие совпадение **string**. Строки, содержащие выражение **string**, при выводе скрываются.

### ***show xxx|begin "string"***

Команда **xxx** выполняется, и при выводе результаты фильтруются следующим образом: отображаются только строки, начинающиеся с совпадения **string**, а также следующие за первой строкой, соответствующей данному условию. Все предшествующие строки при выводе скрываются.



### ***show xxx|section "string"***

Команда **xxx** выполняется, и при выводе результаты фильтруются следующим образом: отображаются только строки, которые входят в определенные разделы. Разделы (один или несколько) определяются по наличию строк, содержащих совпадение **string**, и заканчиваются первой строкой с идентификатором конечной позиции по умолчанию (например, exit).

### ***show xxx|section "string" "string2"***

Команда **xxx** выполняется, и при выводе результаты фильтруются следующим образом: отображаются только строки, которые входят в определенные разделы. Разделы (один или несколько) определяются по наличию строк, содержащих совпадение **string**, и заканчиваются первой строкой, содержащей совпадение **string2**. Если заданным условиям для строк соответствует несколько сессий, являющихся частью базового вывода, отображаются все копии.

### ***show xxx|section "string" include "string2"***

Команда **xxx** выполняется, и при выводе результаты фильтруются следующим образом: отображаются только строки, которые входят в определенные разделы. Разделы (один или несколько) определяются по наличию строк, содержащих совпадение **string**, и заканчиваются первой строкой с идентификатором конечной позиции по умолчанию (например, exit), содержащей также совпадение **string2**. Данный тип команд фильтрации также может включать параметр exclude или заданный пользователем идентификатор конца раздела.

### ***show xxx|no-more***

Команда **xxx** выполняется, и при выводе результаты отображаются в консоли не порционно, а в полном объеме, без потребности в нажатии дополнительных клавиш для полного отображения необходимой информации.

## **5.3 Команды работы с ПО**

Программное обеспечение поддерживает функцию использования двух образов ПО, что позволяет коммутатору хранить в энергонезависимой памяти сразу два образа. При этом можно указать, какой из образов будет активен при последующих перезагрузках. Эта функция позволяет сократить время простоя при обновлении или возврате к более ранней версии ПО.

### ***delete***

Команда удаляет файл резервного образа из энергонезависимой памяти коммутатора или файл с дампом памяти из локальной файловой системы. Необязательный параметр unit работает только для стека. Если использовать данный параметр для систем в автономном режиме, команда возвратит сообщение об ошибке. В стеке параметр unit определяет, на каком узле будет выполнена команда. Если данный параметр не указан, команда будет выполнена на всех узлах стека.

**Формат:** `delete [unit] backup`  
`delete core-dump-file file-name | all`

**Режим ввода команд:** привилегированный

## ***boot system***

Эта команда активирует определенный образ ПО. Данный образ при последующих перезагрузках будет оставаться активным и загружаться начальным загрузчиком. Текущий активный образ ПО отмечается как резервный образ для последующих перезагрузок. Если указанный образ в системе отсутствует, команда возвращает сообщение об ошибке. Необязательный параметр *unit* работает только для стеков. При наличии стека параметр *unit* определяет узел, на котором будет выполнена команда. Если данный параметр не указан, команда будет выполнена на всех узлах стека.

**Формат:** `boot system [unit] {active | backup}`

**Режим ввода команд:** привилегированный

## ***show bootvar***

Команда для вывода информации о версии и статусе активации для текущего активного образа ПО и резервного образа на поставляемом элементе (узле) стека. Если номер узла не указан, команда отображает сведения об образах ПО всех узлов стека. Данная команда также выводит текстовое описание, связанное с образом ПО. При использовании в автономном режиме команда отображает статус активации коммутатора. В автономном режиме параметр *unit* не работает.

**Формат:** `show bootvar [unit]`

**Режим ввода команд:** привилегированный

## ***filedescr***

Данная команда связывает заданное текстовое описание с образом ПО. Заданное описание заменяет любое ранее существовавшее. Команда выполняется на всех узлах стека.

**Формат:** `filedescr {active | backup} text-description`

**Режим ввода команд:** привилегированный

## **5.4 Вывод информации о системе и статистики**

В этой части описаны команды, которые можно использовать для просмотра системных функций, компонентов и конфигураций.

### ***load-interval***

Команда изменяет период времени, в течение которого измеряется загрузка (утилизация) интерфейса. Значение задается в секундах и должно быть кратно 30. Допустимый диапазон значений для параметра *interval* составляет от 30 до 600 секунд. Чем меньше значение интервала загрузки, тем точнее определяется мгновенная утилизация. При этом слишком маленькое значение интервала может снизить производительность системы.

**Значение по умолчанию:** 300 секунд

**Формат:** `load-interval interval`

**Режим ввода команд:** конфигурирование интерфейса

### *no load-interval*

Данная команда возвращает значение интервала загрузки на интерфейсе к значению по умолчанию.

**Формат:** no load-interval  
**Режим ввода команд:** конфигурирование интерфейса

### *show arp switch*

Команда для отображения содержимого ARP-таблицы (Address Resolution Protocol). IP-стек изучает только записи ARP, связанные с интерфейсами управления (сетевыми или сервисными портами). Записи ARP, связанные с интерфейсами маршрутизации, не выводятся.

**Формат:** show arp switch  
**Режим ввода команд:** привилегированный

<i>Термин</i>	<i>Значение</i>
<b>IP Address</b>	IP-адрес интерфейса управления или другого устройства в сети управления.
<b>MAC Address</b>	Физический MAC-адрес данного устройства.
<b>Interface</b>	Вывод для сервисного порта — <i>Management</i> . Вывод для сетевого порта — <i>unit/slot/port</i> физического интерфейса.

### *show eventlog*

Команда для отображения журнала событий, который содержит сообщения об ошибках в системе. При перезагрузке системы журнал событий не очищается. Параметр *unit* представляет собой идентификатор коммутатора.

**Формат:** show eventlog [*unit*]  
**Режим ввода команд:** привилегированный

<i>Термин</i>	<i>Значение</i>
<b>File</b>	Файл, в котором произошло событие
<b>Line</b>	Номер строки события
<b>Task ID</b>	Идентификатор задачи события
<b>Code</b>	Код события
<b>Time</b>	Время, когда произошло событие
<b>Unit</b>	Связанный с событием элемент



При сбросе настроек, перезагрузке коммутатора журнал событий сохраняется.

### *show hardware*

Эта команда отображает инвентарную информацию о коммутаторе.



Команда `show version` и команда `show hardware` отображают одинаковую информацию. В новых версиях программного обеспечения команда `show hardware` будет недоступна.

**Формат:** `show hardware`

**Режим ввода команд:** привилегированный

### *show version*

Эта команда отображает инвентарную информацию о коммутаторе.



В новых версиях программного обеспечения команда `show version` заменит команду `show hardware`

**Формат:** `show version`

**Режим ввода команд:** привилегированный

<i>Термин</i>	<i>Значение</i>
<b>System Description</b>	Текст для идентификации названия коммутатора и его типа.
<b>Machine Type</b>	Тип устройства в соответствии с Vital Product Data.
<b>Machine Model</b>	Модель устройства в соответствии с Vital Product Data.
<b>Serial Number</b>	Уникальный серийный номер коммутатора, указанный на корпусе.
<b>FRU Number</b>	Номер сборочного узла элемента.
<b>Part Number</b>	Заводской номер детали.
<b>Maintenance Level</b>	Аппаратные изменения, значимые для ПО
<b>Manufacturer</b>	Поле дескриптора производителя
<b>Burned in MAC Address</b>	Общий назначаемый сетевой адрес
<b>Software Version</b>	Номер (релиз.версия.редакция) текущего ПО коммутатора
<b>Operating System</b>	Текущая ОС на коммутаторе
<b>Network Processing Device</b>	Тип микрокода процессора.
<b>Additional Packages</b>	Дополнительные пакеты, включенные в систему

### *show platform vpd*

Данная команда отображает Vital Product Data (VPD) для коммутатора.

**Формат:** `show platform vpd`

**Режим ввода команд:** пользовательский привилегированный

Отображается информация, представленная ниже.

<i>Термин</i>	<i>Значение</i>
<b>Operational Code Image File Name</b>	Подпись сборки ПО, загруженного в коммутатор
<b>Software Version</b>	Информация о версии ПО, уровне обслуживания и сборке коммутатора.
<b>Timestamp</b>	Временная метка данной сборки образа ПО.

### **show interface**

Данная команда отображает сводную статистику определенного интерфейса или подсчет всего трафика CPU в зависимости от аргумента.

**Формат:** `show interface {unit/slot/port | switchport | lag Lag-id}`

**Режим ввода команд:** привилегированный

При значении аргумента `unit/slot/port` или указании `lag Lag-id` отображаются следующие параметры.

<i>Термин</i>	<i>Значение</i>
<b>Interface index</b>	Идентификатор интерфейса в системе
<b>Hardware</b>	Тип интерфейса
<b>Interface MTU</b>	Максимальный MTU поддерживаемый на данном интерфейсе
<b>Link type</b>	<p>Пропускная способность интерфейса и состояние дуплекса.</p> <p>Если в качестве аргумента указан lag выводится следующая информация:</p> <ul style="list-style-type: none"> <li>• Link aggregation type - Тип LAG</li> <li>• No. of members in this port-channel – Количество интерфейсов входящих в LAG</li> <li>• No. of active members in this port-channel - Количество активных интерфейсов входящих в состав LAG</li> <li>• Active bandwidth- суммарная пропускная способность LAG</li> <li>• Member- информация о конкретных интерфейсах входящих в состав LAG</li> </ul>
<b>Media type</b>	Тип среды передачи для интерфейса. Не выводится для LAG интерфейса.
<b>Link downs</b>	Количество переходов в состояние Down. Не учитывает переходы по команде shutdown. Не выводится для LAG интерфейса.
<b>Time since counters last cleared</b>	Время с момента последней очистки статистики интерфейса
<b>Flow control</b>	Состояние контроля потока на интерфейсе. Не выводится для LAG интерфейса.

<b>Input rate</b>	Средняя скорость входящего потока за указанный интервал времени (Load Interval)
<b>Output rate</b>	Средняя скорость исходящего потока за указанный интервал времени (Load Interval)
<b>Packets input</b>	Количество входящих пакетов
<b>Bytes received</b>	Количество принятых данных в Байтах
<b>Oversize errors</b>	Количество пакетов принятых интерфейсом, превышающих предельно допустимый MTU
<b>Internal MAC errors</b>	Количество пакетов принятых с ошибками
<b>Broadcast frames</b>	Общее количество широковещательных пакетов принятых и переданных данным интерфейсом
<b>Multicast frames</b>	Общее количество многоадресных пакетов принятых и переданных данным интерфейсом
<b>Total input errors</b>	Общее количество пакетов принятых с ошибками
<b>FCS errors</b>	Количество принятых пакетов с ошибками контрольной суммы и целым числом октетов
<b>Alignment errors</b>	Количество принятых пакетов с ошибками контрольной суммы и не целым числом октетов
<b>Pause frames received</b>	Количество принятых запросов остановки передачи потока
<b>Snmp input frames discarded</b>	Количество отброшенных входящих SNMP пакетов
<b>Packets output</b>	Количество исходящих пакетов
<b>Bytes sent</b>	Количество переданных данных в Байтах
<b>Broadcast errors</b>	Общее количество широковещательных пакетов принятых и переданных данным интерфейсом с ошибками
<b>Multicast errors</b>	Общее количество многоадресных пакетов принятых и переданных данным интерфейсом с ошибками
<b>Output errors</b>	Общее количество пакетов переданных с ошибками
<b>Total collisions</b>	Общее количество коллизий
<b>Excessive collisions</b>	Общее количество символов переданных с коллизиями
<b>Late collisions</b>	Количество пакетов переданных с коллизиями на последних этапах передачи
<b>Pause frames transmitted</b>	Количество отправленных запросов остановки передачи потока
<b>Snmp out frames discarded</b>	Количество отброшенных исходящих SNMP пакетов
<b>Output queues</b>	QoS статистика исходящих очередей интерфейса (передано/отброшено). Не выводится для LAG интерфейса.

Параметры отображения при аргументе switchport.

<i>Термин</i>	<i>Значение</i>
<b>Packets Received Without Error</b>	Общее количество пакетов (включая широковещательные и многоадресные пакеты), принятых процессором
<b>Broadcast Packets Received</b>	Общее количество принятых пакетов, направленных на широковещательный адрес. Многоадресные пакеты в данный параметр не включаются.
<b>Packets Received With Error</b>	Количество входящих пакетов, которые содержат ошибки, препятствующие их доставке на протокол более высокого уровня.
<b>Packets Transmitted Without Error</b>	Общее количество пакетов, переданных из интерфейса.
<b>Broadcast Packets Transmitted</b>	Общее количество пакетов, запрашиваемых протоколами более высокого уровня для передачи на широковещательный адрес, включая удаленные или не отправленные.
<b>Transmit Packet Errors</b>	Число исходящих пакетов, которые не могут быть переданы из-за ошибок
<b>Time Since Counters Last Cleared</b>	Истекшее время (дни, часы, минуты и секунды) с момента последнего обнуления статистики данного коммутатора.

### **show interfaces status**

Команда для отображения информации об интерфейсе, включая описание, состояние порта, скорость и функцию автосогласования. Данная команда похожа на команду `show port all`, но она выводит дополнительные поля, такие как описание интерфейса и возможности порта.

Описание интерфейса можно настроить с помощью существующей команды `description <name>`. Максимальная длина — 64 символа, при выводе сокращается до 28 символов. Полную форму описания можно отобразить с помощью команды `show port description`. Данная команда отображает физические интерфейсы, LAG-интерфейсы и интерфейсы маршрутизации VLAN.

**Формат:** `show interfaces status [{unit/slot/port | vlan id}]`

**Режим ввода команд:** привилегированный

<i>Поле</i>	<i>Описание</i>
<b>Port</b>	Интерфейс, связанный с остальными данными в строке.
<b>Name</b>	Настраиваемое пользователем описание для интерфейса
<b>Admin Mode</b>	Административное состояние порта
<b>Link State</b>	Оперативное состояние порта
<b>Physical Mode</b>	Настройки скорости и дуплекса на интерфейсе.
<b>Physical Status</b>	Показывает скорость порта и режим дуплекса для физических интерфейсов. Физический статус LAG ин-

	терфейсов не отображается. Если порт не поднят, физический статус неизвестен.
<b>Media Type</b>	Тип среды передачи для интерфейса.
<b>Flow Control Status</b>	Статус управления потоком 802. 3х.
<b>Flow Control</b>	Настраиваемый режим управления потоком 802. 3х

### ***show interfaces traffic***

Команда используется для отображения информации о прохождении трафика через интерфейс.

**Формат:** `show interfaces traffic [unit/slot/port]`

**Режим ввода команд:** привилегированный

<i>Поле</i>	<i>Описание</i>
<b>Interface Name</b>	Интерфейс, связанный с остальными данными в строке
<b>Queue</b>	Номер очереди
<b>Total Pass (Pkts)</b>	Общее количество пакетов переданных для указанной очереди
<b>Congestion Drops</b>	Количество пакетов, отброшенных в очереди по причине перегрузки.
<b>TX Queue</b>	Количество ячеек в исходящей очереди.
<b>RX Queue</b>	Количество ячеек во входящей очереди
<b>Color Drops: Yellow</b>	Количество отброшенных желтых (подтвержденных) пакетов.
<b>Color Drops: Red</b>	Количество отброшенных красных (избыточных) пакетов
<b>WRED TX Queue</b>	Количество пакетов в исходящей очереди WRED.

### ***show interface counters***

Данная команда отображает сводные данные об основной статистике для всех портов (физических, CPU, агрегированного интерфейса).

**Формат:** `show interface counters`

**Режим ввода команд:** привилегированный

<i>Поле</i>	<i>Описание</i>
<b>Port</b>	Интерфейс, связанный с остальными данными в строке.
<b>InOctects</b>	Общее количество октетов, принятых на интерфейсе.
<b>InUcastPkts</b>	Общее количество одноадресных пакетов, принятых на интерфейсе.



<b>InMcastPkts</b>	Общее количество многоадресных пакетов, принятых на интерфейсе.
<b>InBcastPkts</b>	Общее количество широковещательных пакетов, принятых на интерфейсе.
<b>OutOctets</b>	Общее количество октетов, переданных через интерфейс.
<b>OutUcastPkts</b>	Общее количество одноадресных пакетов, переданных через интерфейс.
<b>OutMcastPkts</b>	Общее количество многоадресных пакетов, переданных через интерфейс.
<b>OutBcastPkts</b>	Общее количество широковещательных пакетов, переданных через интерфейс.

### *show interfaces description*

Эта команда отображает описание интерфейсов, их административное и текущее состояние.

**Формат:** `show interfaces description {unit/slot/port | all | lag | vlan}`

**Режим ввода команд:** привилегированный

### *show interface ethernet*

Данная команда отображает подробную статистику определенного интерфейса или весь трафик через CPU в зависимости от аргумента.

**Формат:** `show interface ethernet {unit/slot/port | switchport | all}`

**Режим ввода команд:** привилегированный

Если задано значение для `unit/slot/port`, на выходе отображается следующая информация.

<i>Термин</i>	<i>Значение</i>
<b>Packets Received</b>	<p><b>Total Packets Received (Octets).</b> Общее количество октетов данных (включая поврежденные пакеты), принятых по сети (исключая кодирующие биты, но с учетом октетов контрольной суммы пакета). Данный объект может использоваться для практической оценки использования Ethernet. Если требуется более высокая точность, следует оценить объекты <code>etherStatsPkts</code> и <code>etherStatsOctets</code> по состоянию до и после стандартного интервала. Результатом такой оценки станет значение <code>Utilization</code>, представляющее собой процентное выражение утилизации данного сегмента Ethernet (от 0 до 100 процентов).</p> <p><b>Packets Received 64 Octets.</b> Общее количество принятых пакетов (включая поврежденные пакеты) длиной в 64 октета (без учёта межкадрового интервала, но с учетом октетов контрольной суммы пакета).</p> <p><b>Packets Received 65–127 Octets.</b> Общее количество</p>

	<p>принятых пакетов (включая поврежденные пакеты) длиной от 65 до 127 октетов включительно (без учёта межкадрового интервала, но с учетом октетов контрольной суммы пакета).</p> <p><b>Packets Received 128–255 Octets.</b> Общее количество принятых пакетов (включая поврежденные пакеты) длиной от 128 до 255 октетов включительно (без учёта межкадрового интервала, но с учетом октетов контрольной суммы пакета).</p> <p><b>Packets Received 256–511 Octets.</b> Общее количество принятых пакетов (включая поврежденные пакеты) длиной от 256 до 511 октетов включительно (без учёта межкадрового интервала, но с учетом октетов контрольной суммы пакета).</p> <p><b>Packets Received 512–1023 Octets.</b> Общее количество принятых пакетов (включая поврежденные пакеты) длиной от 512 до 1023 октетов включительно (без учёта межкадрового интервала, но с учетом октетов контрольной суммы пакета).</p> <p><b>Packets Received 1024–1518 Octets.</b> Общее количество принятых пакетов (включая поврежденные пакеты) длиной от 1024 до 1518 октетов включительно (без учёта межкадрового интервала, но с учетом октетов контрольной суммы пакета).</p> <p><b>Packets Received &gt; 1518 Octets.</b> Общее количество принятых пакетов длиной более 1518 октетов (без учёта межкадрового интервала, но с учетом октетов контрольной суммы пакета), не содержащих ошибок.</p> <p><b>Packets RX and TX 64 Octets.</b> Общее количество принятых и отправленных пакетов (включая поврежденные пакеты) длиной в 64 октета (без учёта межкадрового интервала, но с учетом октетов контрольной суммы пакета).</p> <p><b>Packets RX and TX 65–127 Octets.</b> Общее количество принятых и отправленных пакетов (включая поврежденные пакеты) длиной от 65 до 127 октетов включительно (без учёта межкадрового интервала, но с учетом октетов контрольной суммы пакета).</p> <p><b>Packets RX and TX 128–255 Octets.</b> Общее количество принятых и отправленных пакетов (включая поврежденные пакеты) длиной от 128 до 255 октетов включительно (без учёта межкадрового интервала, но с учетом октетов контрольной суммы пакета).</p> <p><b>Packets RX and TX 256–511 Octets.</b> Общее количество принятых и отправленных пакетов (включая поврежденные пакеты) длиной от 256 до 511 октетов включительно (без учёта межкадрового интервала, но с учетом октетов контрольной суммы пакета).</p> <p><b>Packets RX and TX 512–1023 Octets.</b> Общее количество принятых и отправленных пакетов (включая поврежденные пакеты) длиной от 512 до 1023 октетов включительно (без учёта межкадрового интервала, но с учетом октетов контрольной суммы пакета).</p> <p><b>Packets RX and TX 1024–1518 Octets.</b> Общее количе-</p>
--	--

	<p>ство принятых и отправленных пакетов (включая поврежденные пакеты) длиной от 1024 до 1518 октетов включительно (без учёта межкадрового интервала, но с учетом октетов контрольной суммы пакета).</p> <p><b>Packets RX and TX 1519–2047 Octets.</b> Общее количество принятых и отправленных пакетов длиной от 1519 до 2047 октетов включительно (без учёта межкадрового интервала, но с учетом октетов контрольной суммы пакета), не содержащих ошибок.</p> <p><b>Packets RX and TX 1523–2047 Octets.</b> Общее количество принятых и отправленных пакетов длиной от 1523 до 2047 октетов включительно (без учёта межкадрового интервала, но с учетом октетов контрольной суммы пакета), не содержащих ошибок.</p> <p><b>Packets RX and TX 2048–4095 Octets.</b> Общее количество принятых пакетов длиной от 2048 до 4095 октетов включительно (без учёта межкадрового интервала, но с учетом октетов контрольной суммы пакета), не содержащих ошибок.</p>
<p><b>Packets Received Successfully</b></p>	<p><b>Packets RX and TX 4096–9216 Octets.</b> Общее количество принятых пакетов длиной от 4096 до 9216 октетов включительно (без учёта межкадрового интервала, но с учетом октетов контрольной суммы пакета), не содержащих ошибок.</p> <p><b>Total Packets Received Without Error.</b> Общее количество принятых пакетов, не содержащих ошибок.</p> <p><b>Unicast Packets Received.</b> Количество одноадресных пакетов подсети, доставленных на протокол более высокого уровня.</p> <p><b>Multicast Packets Received.</b> Общее количество принятых неповрежденных пакетов, переданных на групповой адрес. Примечание. В это количество не входят пакеты, переданные на широковещательный адрес.</p> <p><b>Broadcast Packets Received.</b> Общее количество принятых неповрежденных пакетов, переданных на широковещательный адрес. Многоадресные пакеты в данный параметр не включаются</p>
<p><b>Receive Packets Discarded</b></p>	<p>Многоадресные пакеты в данный параметр не включаются. Количество полученных пакетов, помеченных для удаления, несмотря на отсутствие в них обнаруженных ошибок, которые могли бы препятствовать их доставке на протокол более высокого уровня. Одной из возможных причин для удаления таких пакетов может быть освобождение пространства буфера.</p>
<p><b>Packets Received with MAC Errors</b></p>	<p><b>Total Packets Received with MAC Errors.</b> Общее количество входящих пакетов, которые содержат ошибки, препятствующие их доставке на протокол более высокого уровня.</p> <p><b>Jabbers Received.</b> Общее количество полученных пакетов длиной более 1518 октетов (без учёта межкадрового интервала, но с учетом октетов контрольной суммы пакета).</p>

	<p>ной суммы пакета), в которых содержалась либо ошибочная контрольная сумма с целым количеством октетов (ошибка FCS) либо ошибочная контрольная сумма с нецелым числом октетов (ошибка выравнивания).</p> <p><b>Примечание:</b> Данное определение сбойных пакетов отличается от определения в IEEE-802.3, раздел 8.2.1.5 (10BASE5) и раздел 10.3.1.4 (10BASE2). Указанные документы определяют сбой пакета как состояние, когда пакет превышает 20 мс. Допустимые значения для определения сбоя пакета — от 20 до 150 мс.</p> <p><b>Fragments/Undersize Received.</b> Общее количество принятых пакетов данных длиной менее 64 октетов (без учёта межкадрового интервала, исключая кодирующие биты, но с учетом октетов контрольной суммы пакета).</p> <p><b>Alignment Errors.</b> Общее количество принятых пакетов длиной от 64 до 1518 октетов включительно (без учёта межкадрового интервала исключая кодирующие биты, но с учетом октетов контрольной суммы пакета), в которых содержалась ошибочная контрольная сумма пакета представляла собой дробное число с нецелым числом октетов.</p> <p><b>FCS Errors.</b> Общее количество принятых пакетов длиной от 64 до 1518 октетов включительно (без учёта межкадрового интервала, исключая кодирующие биты, но с учетом октетов контрольной суммы пакета), в которых содержалась ошибочная контрольная сумма пакета с целым количеством октетов.</p> <p><b>Overruns.</b> Общее количество кадров, отклоненных по причине того, что данный порт был перегружен входящими пакетами и не справлялся с нагрузкой.</p>
<p><b>Received Packets Not Forwarded</b></p>	<p><b>Total Received Packets Not Forwarded.</b> Количество полученных кадров без ошибок, которые были отклонены (отфильтрованы) в процессе передачи.</p> <p>802.3x Pause Frames Received. Количество принятых через интерфейс контрольных кадров MAC с кодом операции PAUSE. Данное значение не фиксируется при работе интерфейса в полудуплексном режиме.</p> <p>Unacceptable Frame Type. Количество кадров, удаленных на данном порте из-за неприемлемого типа кадра.</p>
<p><b>Packets Transmitted Octets</b></p>	<p><b>Total Packets Transmitted (Octets).</b> Общее количество октетов данных (включая поврежденные пакеты), переданных по сети (без учёта межкадрового интервала, но с учетом октетов контрольной суммы пакета). Данный объект может использоваться для практической оценки использования Ethernet. Если требуется более высокая точность, следует использовать объекты etherStatsPkts и etherStatsOctets по состоянию до и после стандартного интервала. ---</p> <p><b>Packets Transmitted 64 Octets.</b> Общее количество переданных пакетов (включая поврежденные пакеты) длиной в 64 октета (без учёта межкадрового ин-</p>

	<p>тервала, но с учетом октетов контрольной суммы пакета).</p> <p><b>Packets Transmitted 65–127 Octets.</b> Общее количество переданных пакетов (включая поврежденные пакеты) длиной от 65 до 127 октетов включительно (без учёта межкадрового интервала, но с учетом октетов контрольной суммы пакета).</p> <p><b>Packets Transmitted 128–255 Octets.</b> Общее количество переданных пакетов (включая поврежденные пакеты) длиной от 128 до 255 октетов включительно (без учёта межкадрового интервала, но с учетом октетов контрольной суммы пакета).</p> <p><b>Packets Transmitted 256–511 Octets.</b> Общее количество переданных пакетов (включая поврежденные пакеты) длиной от 256 до 511 октетов включительно (без учёта межкадрового интервала, но с учетом октетов контрольной суммы пакета).</p> <p><b>Packets Transmitted 512–1023 Octets.</b> Общее количество переданных пакетов (включая поврежденные пакеты) длиной от 512 до 1023 октетов включительно (без учёта межкадрового интервала, но с учетом октетов контрольной суммы пакета).</p> <p><b>Packets Transmitted 1024–1518 Octets.</b> Общее количество переданных пакетов (включая поврежденные пакеты) длиной от 1024 до 1518 октетов включительно (без учёта межкадрового интервала, но с учетом октетов в контрольной суммы пакета)</p> <p><b>Packets Transmitted &gt; 1518 Octets.</b> Общее количество переданных пакетов длиной более 1518 октетов (без учёта межкадрового интервала, но с учетом октетов контрольной суммы пакета), не содержащих ошибок.</p> <p><b>Max Frame Size.</b> Максимальный размер полезной нагрузки (не включая MAC-заголовок), который может быть принят или передан портом.</p> <p><b>Maximum Transmit Unit.</b> Максимальный объем полезной нагрузки Ethernet.</p>
<p><b>Packets Transmitted Successfully</b></p>	<p><b>Total Packets Transmitted Successfully.</b> Количество кадров, переданных через данный порт в соответствующий сегмент.</p> <p><b>Unicast Packets Transmitted.</b> Общее число одноадресных пакетов, которые протокол верхнего уровня отправил, включая удаленные и неотправленные пакеты.</p> <p><b>Multicast Packets Transmitted.</b> Общее количество пакетов, которые протокол верхнего уровня должен был передать по групповым адресам (включая отклоненные и неотправленные пакеты).</p> <p><b>Broadcast Packets Transmitted.</b> Общее количество пакетов, которые протокол верхнего уровня должен был передать по широковещательным адресам (включая отклоненные и неотправленные пакеты).</p>
<p><b>Transmit Packets Discarded</b></p>	<p>Общее количество исходящих пакетов, помеченных</p>

	<p>для удаления, несмотря на отсутствие в них обнаруженных ошибок, которые могли бы препятствовать их доставке на протокол более высокого уровня. Одной из возможных причин удаления пакета может быть освобождение пространства буфера.</p>
<p><b>Transmit Errors</b></p>	<p><b>Total Transmit Errors.</b> Общее количество единичных, множественных и частых коллизий.</p> <p><b>FCS Errors.</b> Общее количество переданных пакетов длиной от 64 до 1518 октетов включительно (без учёта межкадрового интервала, но с учетом октетов контрольной суммы пакета), в которых содержалась ошибочная контрольная сумма пакета с целым количеством октетов</p> <p><b>Underrun Errors.</b> Общее количество кадров, отклоненных из-за того, что передающий буфер FIFO в процессе передачи кадра оказался пустым</p>
<p><b>Transmit Discards</b></p>	<p><b>Total Transmit Packets Discards.</b> Общее количество кадров, отклоненных в силу единичных и множественных коллизий, а также избыточных пакетов.</p> <p><b>Single Collision Frames.</b> Счетчик количества успешно переданных через конкретный интерфейс кадров, передача которых была приостановлена в силу одной коллизии.</p> <p><b>Multiple Collision Frames.</b> Счетчик количества успешно переданных через конкретный интерфейс кадров, передача которых была приостановлена в силу нескольких коллизий.</p> <p><b>Excessive Collisions.</b> Счетчик количества кадров, передача которых через конкретный интерфейс не удается из-за частых коллизий.</p> <p><b>Port Membership Discards.</b> Количество кадров, отклоненных на выходе данного порта в силу включенной фильтрации.</p> <p><b>Total Transmit Packets Discards.</b> Общее количество кадров, отклоненных в силу единичных и множественных коллизий, а также избыточных пакетов.</p> <p><b>Single Collision Frames.</b> Счетчик количества успешно переданных через конкретный интерфейс кадров, передача которых была приостановлена в силу одной коллизии.</p> <p><b>Multiple Collision Frames.</b> Счетчик количества успешно переданных через конкретный интерфейс кадров, передача которых была приостановлена в силу нескольких коллизий.</p> <p><b>Excessive Collisions.</b> Счетчик количества кадров, передача которых через конкретный интерфейс не удается из-за частых коллизий.</p> <p><b>Port Membership Discards.</b> Количество кадров, отклоненных на выходе данного порта в силу включенной фильтрации.</p>
<p><b>Protocol Statistics</b></p>	<p><b>802.3x Pause Frames Transmitted.</b> Счетчик контрольных кадров MAC с кодом операции PAUSE, передан-</p>

	<p>ных через конкретный интерфейс. Данное значение не фиксируется при работе интерфейса в полудуплексном режиме.</p> <p><b>GVRP PDUs Received.</b> Счетчик пакетов GVRP PDU, принятых на уровне GARP.</p> <p><b>GVRP PDUs Transmitted.</b> Счетчик пакетов GVRP PDU, переданных с уровня GARP.</p> <p><b>GVRP Failed Registrations.</b> Количество попыток регистрации GVRP, которые не удалось завершить.</p> <p><b>GMRP PDUs Received.</b> Счетчик пакетов GMRP PDU, принятых на уровне GARP.</p> <p><b>GMRP PDUs Transmitted.</b> Счетчик пакетов GMRP PDU, переданных с уровня GARP.</p> <p><b>GMRP Failed Registrations.</b> Количество попыток регистрации GMRP, которые не удалось завершить.</p> <p><b>STP BPDUs Transmitted.</b> Отправленные пакеты Spanning Tree Protocol Bridge Protocol Data Units.</p> <p><b>STP BPDUs Received.</b> Принятые пакеты Spanning Tree Protocol Bridge Protocol Data Units.</p> <p><b>RST BPDUs Transmitted.</b> Отправленные пакеты Rapid Spanning Tree Protocol Bridge Protocol Data Units.</p> <p><b>RSTP BPDUs Received.</b> Принятые пакеты Rapid Spanning Tree Protocol Bridge Protocol Data Units.</p> <p><b>MSTP BPDUs Transmitted.</b> Отправленные пакеты Multiple Spanning Tree Protocol Bridge Protocol Data Units.</p> <p><b>MSTP BPDUs Received.</b> Принятые пакеты Multiple Spanning Tree Protocol Bridge Protocol Data Units.</p> <p><b>SSTP BPDUs Transmitted.</b> Отправленные пакеты Shared Spanning Tree Protocol Bridge Protocol Data Units.</p> <p><b>SSTP BPDUs Received.</b> Принятые пакеты Shared Spanning Tree Protocol Bridge Protocol Data Units.</p>
<p><b>Dot1x Statistics</b></p>	<p><b>EAPOL Frames Transmitted.</b> Количество кадров EAPOL любого типа, которые были переданы данным аутентификатором.</p> <p><b>EAPOL Start Frames Received.</b> Количество стартовых кадров EAPOL без ошибок, которые были приняты данным аутентификатором</p>
<p><b>Traffic Load Statistics</b></p>	<p><b>Load Interval.</b> Период времени, в течение которого вычисляется загрузка интерфейса. Значение задается в секундах и должно быть кратно 30. Допустимый диапазон значений — от 30 до 600 секунд.</p> <p><b>Bits Per Second Received.</b> Приблизительное количество битов, принятых за секунду. Это экспоненциально взвешенное среднее значение, которое зависит от настроенного интервала загрузки.</p> <p><b>Bits Per Second Transmitted.</b> Приблизительное количество битов, переданных за секунду. Это экспоненциально взвешенное среднее значение, которое зависит от настроенного интервала загрузки.</p>

	<p><b>Packets Per Second Received.</b> Приблизительное количество пакетов, полученных за секунду. Это экспоненциально взвешенное среднее значение, которое зависит от настроенного интервала загрузки.</p> <p><b>Packets Per Second Transmitted.</b> Приблизительное количество пакетов, переданных за секунду. Это экспоненциально взвешенное среднее значение, которое зависит от настроенного интервала загрузки.</p> <p><b>Percent Utilization Received.</b> Значение загруженности соединения для RX-линии, представленное в процентах.</p> <p><b>Percent Utilization Transmitted.</b> Значение загруженности соединения для TX-линии, представленное в процентах.</p>
<b>Time Since Counters Last Cleared</b>	Истекшее время (дни, часы, минуты и секунды) с момента последнего обнуления статистики данного порта.

При использовании ключевого слова `switchport` появится следующая информация.

<i>Термин</i>	<i>Значение</i>
<b>Packets Received Without Error</b>	Общее количество пакетов (включая широковещательные и многоадресные пакеты), принятых процессором.
<b>Broadcast Packets Received</b>	Общее количество принятых пакетов, которые были направлены на широковещательный адрес. Многоадресные пакеты в данный параметр не включаются
<b>Packets Received With Error</b>	Общее количество пакетов с ошибками (включая широковещательные и многоадресные пакеты), принятых процессором.
<b>Packets Transmitted without Errors</b>	Общее количество пакетов, переданных из интерфейса.
<b>Broadcast Packets Transmitted</b>	Общее количество пакетов, отправленных протоколами верхнего уровня для передачи на широковещательный адрес, включая отброшенные или неотправленные
<b>Transmit Packet Errors</b>	Количество исходящих пакетов, которые не могут быть переданы из-за ошибок.
<b>Time Since Counters Last Cleared</b>	Истекшее время (дни, часы, минуты и секунды) с момента последнего обнуления статистики данного коммутатора

При использовании ключевого слова `all` для всех интерфейсов коммутатора выводится следующая информация.

<i>Термин</i>	<i>Значение</i>
<b>Port</b>	Идентификатор интерфейса.
<b>Bytes Tx</b>	Общее количество байтов, переданных через интерфейс.



<b>Bytes Rx</b>	Общее количество байтов, принятых через интерфейс.
<b>Packets Tx</b>	Общее количество пакетов, переданных через интерфейс.
<b>Packets Rx</b>	Общее количество пакетов, принятых через интерфейс.
<b>Utilization Tx (%)</b>	Общая загрузка передачи интерфейса за интервал времени <code>load interval</code>
<b>Utilization Rx (%)</b>	Общая загрузка приёма интерфейса за интервал времени <code>load interval</code>

### ***show interface ethernet switchport***

Данная команда отображает настройки private VLAN для интерфейсов коммутатора.

**Формат:** `show interface ethernet interface-id switchport`

**Режим ввода команд:** привилегированный

Команда отображает следующую информацию

<b><i>Термин</i></b>	<b><i>Значение</i></b>
<b>Private-vlan host association</b>	Настройки ассоциаций для host-портов private VLAN
<b>Private-vlan mapping</b>	Настройки соответствий для promiscuous-портов private VLAN.

### ***show fiber-ports optical-transceiver***

Данная команда отображает диагностическую информацию SFP: температура, напряжение, ток, входная мощность, выходная мощность, ошибка передатчика, потеря сигнала (LOS). Значения берутся из SFP-трансивера по адресу A2 (Diagnostics) по интерфейсу I2C.

**Формат:** `show fiber-ports optical-transceiver {all | unit/slot/port}`

**Режим ввода команд:** привилегированный

<b><i>Поле</i></b>	<b><i>Описание</i></b>
<b>Temp</b>	Температура трансивера, измеренная внутренним датчиком
<b>Voltage</b>	Напряжение питания, измеренное внутренним датчиком
<b>Current</b>	Данные о текущем токе смещения.
<b>Output Power</b>	Выходная мощность оптического сигнала по отношению к 1 мВт
<b>Input Power</b>	Входная мощность оптического сигнала по отношению к 1 мВт.

TX Fault	Отказ трансмиттера
LOS	Потеря сигнала.

### **show fiber-ports optical-transceiver-info**

Команда для вывода информации о производителе SFP, такой как наименование производителя, серийный номер SFP, номер компонента SFP. Значения берутся из SFP-трансивера по адресу A0 по интерфейсу I2C.

**Формат:** `show fiber-ports optical-transceiver-info {all | slot/port}`

**Режим ввода команд:** привилегированный

<i>Поле</i>	<i>Описание</i>
<b>Vendor Name</b>	Наименование производителя состоит из 16 символов ASCII, выровненных по левому краю дополненных справа пробелами ASCII (20h). Наименование производителя должно представлять собой полное наименование компании, его узнаваемую аббревиатуру, SCSI-код или биржевой код компании
<b>Length (50um, OM2)</b>	Данное значение указывает длину канала, поддерживаемого трансивером при работе в рамках применимых стандартов с использованием 50-микронного многомодового оптоволоконного подключения OM2 [500 МГц*км при 850 нм]. Ноль в данном поле означает, что трансивер не поддерживает 50-микронное многомодовое оптоволоконное подключение или что информация о длине канала определяется в соответствии с технологией трансивера
<b>Length (62.5um, OM1)</b>	Данное значение указывает длину канала, поддерживаемого трансивером при работе в рамках применимых стандартов с использованием 62,5-микронного многомодового оптоволоконного подключения OM1 [200 МГц*км при 850 нм, 500 МГц*км при 1310 нм]. Ноль в данном поле означает, что трансивер не поддерживает 62,5-микронное многомодовое оптоволоконное подключение или что информация о длине канала определяется в соответствии с технологией трансивера
<b>Vendor SN</b>	Серийный номер производителя располагается в поле из 16 символов, содержащем выравненные по левому краю символы ASCII, дополненные справа пробелами ASCII (20h). Значение поля определяет серийный номер производителя трансивера. Ноль в данном поле означает, что серийный номер производителя не указан
<b>Vendor PN</b>	Номер компонента производителя располагается в поле из 16 символов, содержащем выравненные по левому краю символы ASCII, дополненные справа пробелами ASCII (20h). Значение поля определяет производственный номер компонента или наименование продукта. Ноль в данном поле означает, что номер компонента не указан

<b>BR, nominal</b>	Номинальная скорость передачи данных определяется в единицах по 100 MBD и округляется до ближайшего значения, кратного 100 MBD. Скорость передачи данных включает не только биты полезной нагрузки, но и биты, необходимые для кодирования и ограничения сигнала. Нулевая величина параметра означает, что скорость цифрового потока не указана и должна определяться в соответствии с технологией трансивера. Фактическая скорость передачи данных будет зависеть от кодирования данных, как определено в значении кодирования.
<b>Vendor Rev</b>	Номер редакции производителя содержит символы ASCII с выравниванием по левому краю, дополненные справа пробелами ASCII (20h). и определяет номер редакции продукта, присвоенный производителем. Ноль в данном поле означает, что номер редакции не указан.

### **show mac-addr-table**

Команда для отображения записей таблицы коммутации. Эти записи используются при прозрачной коммутации трафика для определения, куда требуется переслать принятый кадр.

Чтобы отобразить всю таблицу, введите `all` или не указывайте дополнительные параметры. Чтобы отобразить записи таблицы с запрашиваемым MAC-адресом в определенной VLAN, укажите значение параметров `MAC Address` и `VLAN ID`. Для просмотра обзорной информации о таблице коммутации введите параметр `count`. Для просмотра MAC-адресов, связанных с определенным интерфейсом, используйте параметр `interface unit/slot/port`.

Вместо параметра `unit/slot/port` можно использовать `lag lag-intf-num` для указания LAG-интерфейса, где `lag-intf-num` — это номер LAG-интерфейса. Для отображения информации о MAC-адресах в определенной VLAN используется параметр `vlan vlan_id`.

**Формат:** `show mac-addr-table [{macaddr vlan_id | all | count | interface {unit/slot/port | lag lag-id | vlan vlan_id} }]`

**Режим ввода команд:** привилегированный

Если параметры, ключевое слово `all` или значения MAC-адреса и VLAN ID не указаны, команда выводит следующую информацию.

<b>Поле</b>	<b>Описание</b>
<b>VLAN ID</b>	VLAN, в рамках которой определен MAC-адрес
<b>MAC Address</b>	MAC-адрес одноадресной передачи, для которого на коммутаторе есть данные для отправки или фильтрации. Формат представляет собой 6 шестнадцатеричных чисел из двух цифр, разделенных двоеточиями, например 01:23:45:67:89:AB.
<b>Interface</b>	Порт, на котором был изучен адрес.
<b>Interface Index</b>	Указывает индекс записи таблицы интерфейса, связанной с данным портом
<b>Status</b>	Статус записи. Значения могут быть следующими:

	<p><b>Static</b> — значение было добавлено системой или пользователем в процессе определения статического MAC-фильтра. Переобучению не подлежит.</p> <p><b>Learned</b> — значение было определено в процессе наблюдения исходных MAC-адресов входящего трафика и используется в данный момент.</p> <p><b>Management</b> — значение (системный MAC-адрес) также является значением для существующего параметра dot1dStaticAddress. Этот адрес определён на интерфейсе и используется для сетевой маршрутизации.</p> <p><b>Self</b> — значение представляет собой адрес одного из физических интерфейсов коммутатора (собственный MAC-адрес системы).</p> <p><b>GMRP Learned</b> — значение было определено посредством GMRP и применяется для многоадресной рассылки</p> <p><b>Other</b> — значение не подходит ни под одну из указанных категорий</p>
--	---

При указании vlan vlan\_id будут отображены только поля MAC Address, Interface и Status. При указании параметра interface.

unit/slot/port в дополнение к полям MAC Address и Status будет отображаться поле VLAN ID. При использовании параметра count отобразится следующая информация.

<i>Поля</i>	<i>Описание</i>
<b>Dynamic Address count</b>	Количество MAC-адресов в таблицах коммутации, определенных автоматически
<b>Static Address (User-defined) count</b>	Количество MAC-адресов в таблицах коммутации, введенных пользователем вручную
<b>Total MAC Addresses in use</b>	Количество MAC-адресов, в настоящее время находящихся в таблицах коммутации
<b>Total MAC Addresses available</b>	Количество MAC-адресов, допустимое для таблиц коммутации

### ***process cpu threshold***

Используйте данную команду для настройки порогов использования CPU. Значения порогов Rising (порог при повышении) и Falling (порог при понижении) указываются в процентах от ресурсов CPU. Время наблюдения за использованием CPU можно настроить в диапазоне от 5 до 86400 секунд с шагом в 5 секунд. Конфигурация порога утилизации CPU сохраняется при перезагрузке коммутатора. Настройка порога при понижении не обязательна, если он не настроен, то он принимает то же значение, что и порог при повышении.

**Формат:** process cpu threshold type total rising 1-100 interval

**Режим ввода команд:** глобальная конфигурация

<i>Поле</i>	<i>Описание</i>
<b>rising threshold</b>	Настроенный верхний порог утилизации CPU в про-

	центах, при пересечении которого в течение времени rising interval генерируется уведомление. От 1 до 100%. Значение по умолчанию — 0 (выключено).
<b>rising interval</b>	Время в секундах, в течение которого загрузка CPU должны быть выше порога rising threshold, чтобы сгенерировалось уведомление. От 5 до 86400 секунд. Значение по умолчанию — 0 (выключено).
<b>falling threshold</b>	<p>Нижний порог утилизации CPU в процентах, при понижении до которого в течение времени falling interval генерируется уведомление. От 1 до 100%. Значение по умолчанию — 0 (выключено).</p> <p>Уведомление создается, когда использование CPU падает ниже заданного уровня на установленный период времени. Уведомление о достижении нижнего порога при понижении использования создается генерируется только в случае, если ранее было настроено сгенерировано уведомление о превышении верхнего порога использования. Нижний порог использования необходимо всегда устанавливать на уровне не выше верхнего порога. CLI не позволяет настроить нижний порог использования, превышающий значение верхнего порога.</p>
<b>falling interval</b>	Время в секундах, в течение которого загрузка CPU должна быть ниже порогового falling threshold, чтобы сгенерировалось уведомление. От 5 до 86400 секунд. Значение по умолчанию — 0 (выключено).

### **show process app-list**

Команда для отображения пользовательских и системных приложений.

**Формат:** show process app-list

**Режим ввода команд:** привилегированный

<i>Поле</i>	<i>Описание</i>
<b>ID</b>	Идентификатор приложения.
<b>Name</b>	Имя, идентифицирующее процесс.
<b>PID</b>	Номер, который программное обеспечение использует для идентификации процесса.
<b>Admin Status</b>	Административный статус процесса.
<b>Auto Restart</b>	Показывает, требуется ли автоматически перезапустить процесс в случае остановки.
<b>Running Status</b>	Показывает активен ли процесс в данный момент.

### *show process app-resource-list*

Данная команда отображает настроенные и потребляемые ресурсы для каждого приложения.

**Формат:** `show process app-resource-list`

**Режим ввода команд:** привилегированный

<i>Параметр</i>	<i>Описание</i>
<b>ID</b>	Идентификатор приложения.
<b>Name</b>	Имя, идентифицирующее процесс.
<b>PID</b>	Номер, который программное обеспечение использует для идентификации процесса.
<b>Memory Limit</b>	Максимальный объем памяти для использования процессом.
<b>CPU Share</b>	Максимальный уровень использования CPU (в процентах) для процесса
<b>Memory Usage</b>	Объем памяти, потребляемый процессом в данный момент.
<b>Max Mem Usage</b>	Максимальный объем памяти, который был использован процессом когда-либо с момента запуска.

### *show process cpu*

Эта команда предоставляет процентные сведения об использовании CPU различными задачами.



**Высокая загрузка CPU не обязательно вызвана трафиком на CPU — это могут быть различные задачи, создающие нагрузку на CPU.**

**Формат:** `show process cpu [1-n | all]`

**Режим ввода команд:** привилегированный

<i>Ключевое слово</i>	<i>Описание</i>
<b>Free</b>	Свободная память системы.
<b>Alloc</b>	Выделенная память всей системы (за исключением объема кэша, используемого файловой системой).
<b>Pid</b>	Идентификатор процесса или потока.
<b>Name</b>	Имя процесса или потока.
<b>5Secs</b>	Процент использования CPU за 5-секундный интервал.
<b>60Secs</b>	Процент использования CPU за 60-секундный интервал.

<b>300Secs</b>	Процент использования CPU за 300-секундный интервал.
<b>Total CPU Utilization</b>	Общий процент использования CPU за промежутки времени продолжительностью 5, 60 и 300 секунд.

### ***show process proc-list***

Отображает процессы приложений, созданных менеджером процессов.

**Формат:** `show process proc-list`

**Режим ввода команд:** привилегированный

<i>Параметр</i>	<i>Описание</i>
<b>PID</b>	Номер, который программное обеспечение, использует для идентификации процесса
<b>Process Name</b>	Имя, идентифицирующее процесс.
<b>Application ID- Name</b>	Идентификатор приложения и связанное с ним имя
<b>Child</b>	Показывает, был ли запущен дочерний процесс.
<b>VM Size</b>	Объем виртуальной памяти.
<b>VM Peak</b>	Максимальное число виртуальной памяти, использованное процессом за всё время.
<b>FD Count</b>	Количество файловых дескрипторов процесса

### ***show running-config***

Команда для отображения или сохранения текущих настроек протоколов, поддерживаемых коммутатором. Данная команда отображает или сохраняет команды с конфигурацией и настройками, отличными от значений по умолчанию. Для отображения или сохранения команд с настройками и конфигурацией по умолчанию включите опцию `all`.



**Команда `show running-config` не отображает пароль пользователя, даже если пароль отличен от значения по умолчанию.**

Вывод отображается в виде сценария, который можно использовать для настройки другого коммутатора с такой же конфигурацией. Если указан необязательный параметр `scriptname` с определенным именем файла и расширением `.scr`, вывод команды сохраняется в виде файла сценария.



**При запуске команды `show running-config` через последовательный интерфейс управления, доступ к коммутатору через удаленные соединения (например, Telnet) будет заблокирован на время исполнения команды и вывода результатов.**



При использовании текстового файла конфигурации команда `show running-config` отобразит только настроенные физические интерфейсы (т. е. если интерфейс содержит только значения по умолчанию, он будет пропущен в выводе команды `show running-config`). Это касается всех режимов конфигурирования, где не содержится ничего, кроме конфигурации по умолчанию. Таким образом, если за командой входа в определенный режим конфигурации сразу следует команда выхода из него, в выводе команды `show running-config` обе команды будут пропущены (и, следовательно, они не будут добавлены в файл стартовой конфигурации при сохранении системных настроек).

Используйте следующие ключи для навигации по выводу команды.

<i>Ключ</i>	<i>Действие</i>
Enter	На одну строку вперед.
Space Bar	На одну страницу вперед
q	Остановить вывод и вернуться к командной строке

Обратите внимание, что строка `--More--` or `(q)uit` отображается внизу экрана вывода, пока он не дойдет до конца.

**Формат:** `show running-config [all | scriptname]`

**Режим ввода команд:** привилегированный

### ***show running-config interface***

Команда для отображения текущей конфигурации определенного интерфейса, например физического, туннельного, LAG-интерфейса, loopback-интерфейса или VLAN-интерфейса.

**Формат:** `show running-config interface {interface | lag {lag-intf-num} | loopback {loopback-id} | tunnel {tunnel-id} | vlan {vlan-id}}`

**Режим ввода команд:** привилегированный

<i>Параметр</i>	<i>Описание</i>
interface	Текущая конфигурация указанного интерфейса
lag-intf-num	Текущая конфигурация LAG-интерфейса
loopback-id	Текущая конфигурация loopback-интерфейса
tunnel-id	Текущая конфигурация туннельного интерфейса
vlan-id	Текущая конфигурация виртуального интерфейса маршрутизации

В рамках данной команды отображается следующая информация.

<i>Параметр</i>	<i>Описание</i>
unit slot port	Интерфейс в формате unit/slot/port.
lag	Отображает текущую конфигурацию указанного LAG-интерфейса
loopback	Отображает текущую конфигурацию указанного loopback-интерфейса.



<b>tunnel</b>	Отображает текущую конфигурацию указанного туннельного интерфейса.
<b>vlan</b>	Отображает текущую конфигурацию указанного виртуального интерфейса маршрутизации

### **show**

Данная команда выводит содержимое текстовых файлов конфигурации в CLI. Текстовые файлы конфигурации (стартовой и резервной конфигурации, а также заводских настроек) в сжатом виде хранятся в памяти. С помощью данной команды можно распаковать данные файлы и сразу отобразить их содержимое.

**Формат:** `show { startup-config | backup-config | factory-defaults }`

**Режим ввода команд:** привилегированный

<i>Параметр</i>	<i>Описание</i>
<b>startup-config</b>	Отображает содержимое файла стартовой конфигурации.
<b>backup-config</b>	Отображает содержимое файла резервной конфигурации.
<b>factory-defaults</b>	Отображает содержимое файла заводских настроек.

### **dir**

Команда выводит список файлов сохранённых во флеш-памяти

**Формат:** `dir`

**Режим ввода команд:** привилегированный

### **show sysinfo**

Команда отображает информацию о коммутаторе.

**Формат:** `show sysinfo`

**Режим ввода команд:** привилегированный

<i>Термин</i>	<i>Значение</i>
<b>System Description</b>	Текстовое описание коммутатора
<b>System Name</b>	Наименование для идентификации данного коммутатора. По умолчанию пустое.
<b>System Location</b>	Текстовое описание местоположения коммутатора. По умолчанию пустое.
<b>System Contact</b>	Информация о контактном лице для данного коммутатора. По умолчанию пустое.
<b>System ObjectID</b>	Базовый MIB ObjectID данного коммутатора
<b>System Up Time</b>	Время (дни, часы и минуты) с момента последней перезагрузки коммутатора

<b>Current SNTP Synchronized Time</b>	Системное время, полученное от SNTP-сервера сети.
<b>MIBs Supported</b>	Список MIB, поддерживаемых данным агентом

### ***show tech-support***

Команда `show tech-support` используется для отображения системной и конфигурационной информации во время общения с технической поддержкой. Вывод команды `show tech-support` представляет собой комбинацию выводов перечисленных ниже команд и включает файлы журналов их прошлого выполнения.

- `show version`
- `show sysinfo`
- `show port all`
- `show isdp neighbors`
- `show logging`
- `show event log`
- `show logging buffered`
- `show msg-queue`
- `show trap log`
- `show running-config`

**Формат:** `show tech-support [bgp|bgp-ipv6|ospf|ospfv3]`

**Режим ввода команд:** привилегированный

### ***length value***

Команда устанавливает количество строк на страницу при постраничном выводе для разных видов консольных сессий (telnet/ssh/console) Это команда сохраняется в текущей конфигурации.

**Значение по умолчанию:** 24

**Формат:** `length value`

**Режим ввода команд:** Line-конфигурация

### ***no length value***

Эта команда возвращает количеством строк на страницу при постраничном выводе в значение по умолчанию.

**Формат:** `no length value`

**Режим ввода команд:** Line-конфигурация

### ***terminal length***

Команда устанавливает количество строк на страницу при постраничном выводе для текущей сессии в значение `value`. Применяется мгновенно для текущей сессии и не сохраняется в текущей конфигурации.

**Значение по умолчанию:** 24 строки на страницу

**Формат:** terminal length value

**Режим ввода команд:** привилегированный

### *no terminal length*

Команда возвращает количество строк на страницу при постраничном выводе в текущей сессии в значение по умолчанию.

**Формат:** no terminal length value

**Режим ввода команд:** привилегированный

### *show terminal length*

Команда для отображения всех настроенных значений количества строк на страницу.

**Формат:** show terminal length

**Режим ввода команд:** привилегированный

### *memory free low-watermark processor*

Команда для настройки уведомлений в случае, когда объем свободной памяти CPU оказывается ниже указанного порога. Уведомление создается, когда объем свободной памяти оказывается ниже настроенного порога. Еще одно уведомление создается, как только объем свободной памяти оказывается на 10% выше настроенного порога. Чтобы предотвратить чрезмерное количество уведомлений в ситуациях, когда объем свободной памяти CPU колеблется на близком к порогу уровне, в течение 60 секунд может быть создано только одно уведомление об увеличении или уменьшении объема памяти. Пороговое значение указывается в килобайтах. Конфигурация порога свободной памяти CPU при перезагрузке коммутатора сохраняется.

**Формат:** memory free low-watermark processor 1-1034956

**Режим ввода команд:** глобальная конфигурация

<i>Параметр</i>	<i>Описание</i>
low-watermark	Когда объем свободной памяти CPU оказывается ниже этого порога, инициируется уведомление. Диапазон значения: от 1 до максимального объема доступной памяти на коммутаторе. Значение по умолчанию — 0 (выключено).

### *clear mac-addr-table*

Используйте команду, чтобы динамически удалять изученные записи из таблиц коммутации. Используя следующие опции, можно задать группу динамически изученных записей таблиц коммутации для удаления.

**Значение по умолчанию:** отсутствует

**Формат:** clear mac-addr-table {all | vlan vlanId | interface unit/slot/port | macAddr [macMask]}

Режим ввода команд: привилегированный

<i>Параметр</i>	<i>Описание</i>
<b>all</b>	Удаляет динамически изученные записи в таблице коммутации
<b>vlan vlanId</b>	Удаляет динамически изученные записи таблиц коммутации, связанные с указанным vlanId.
<b>interface unit/slot/port</b>	Удаляет записи таблиц коммутации, изученные для указанного интерфейса
<b>macAddr</b> <b>macMask</b>	Удаляет динамически изученные записи таблиц коммутации, связанные с диапазоном, который определен маской MAC и MAC-адресом. Если маска MAC не указана, из таблиц коммутации удаляется только указанный MAC-адрес

## 5.5 Команды бокс-сервисов

Ниже описаны команды бокс-сервисов. Бокс-сервисы обеспечивают поддержку таких функций, как контроль температуры и состояния источника питания, управление вентилятором и другие.

### *environment temprange*

Эта команда позволяет задать допустимый диапазон температур для нормальной работы.

**Формат:** `environment temprange min -100-100 max -100-100`

**Режим ввода команд:** глобальная конфигурация

<i>Параметр</i>	<i>Значение</i>
<b>min</b>	Устанавливает минимально допустимую температуру. Диапазон значений: от -100°C до 100°C. По умолчанию: 0°C
<b>max</b>	Устанавливает максимально допустимую температуру. Диапазон значений: от -100°C до 100°C. По умолчанию: 0°C

### *environment trap*

Команда для настройки трапов, основанных на состоянии среды.

**Формат:** `environment trap {fan | powersupply | temperature}`

**Режим ввода команд:** глобальная конфигурация

<i>Параметр</i>	<i>Значение</i>
<b>fan</b>	Включает или выключает отправку трапов при смене состояния вентиляторов. По умолчанию: включено
<b>powersupply</b>	Включает или выключает отправку трапов при смене состояния источников питания. По умолчанию: вклю-

	чено
<b>temperature</b>	Включает или выключает отправку трапов при изменении показателей температуры. По умолчанию: включено

### ***show environment***

Команда для отображения сводной информации об объеме системного диска и его использовании, показаний датчиков температуры, состояния вентиляторов и блоков питания

**Формат:** show environment  
**Режим ввода команд:** привилегированный

## **5.6 Настройка системного журнала**

В этой части описываются команды для настройки системного журнала, а также просмотра как самого журнала, так и его настроек.

### ***logging buffered***

Команда включает ведение журнала в памяти.

**Значение по умолчанию:** включено; уровень notice  
**Формат:** logging buffered  
**Режим ввода команд:** глобальная конфигурация

### ***no logging buffered***

Выключение ведения журнала в памяти.

**Формат:** no logging buffered  
**Режим ввода команд:** глобальная конфигурация

### ***logging buffered wrap***

Данная команда разрешает постепенную перезапись информации, когда файл журнала достигает предельного объема. Если перезапись не разрешена, при достижении предельного объема файла запись журнала останавливается.

**Значение по умолчанию:** включено  
**Формат:** logging buffered wrap  
**Режим ввода команд:** привилегированный

### ***no logging buffered wrap***

Команда выключает постепенную перезапись информации и отключает ведение журнала, когда файл достигает предельного объема.

---

**Формат:** no logging buffered wrap  
**Режим ввода команд:** привилегированный

### ***logging cli-command***

Команда для включения функции ведения журнала CLI, которая позволяет ПО фиксировать все команды, переданные в систему. Журнал команд сохраняется в постоянном хранилище. Для отображения сохраненной истории команд CLI используйте команду show logging persistent.

**Значение по умолчанию:** выключено  
**Формат:** logging cli-command  
**Режим ввода команд:** глобальная конфигурация

### ***no logging cli-command***

Эта команда выключает функцию ведения журнала CLI.

**Формат:** no logging cli-command  
**Режим ввода команд:** глобальная конфигурация

### ***logging console***

Команда включает ведение журнала в консоли. Значение severitylevel можно задать как целыми числами от 0 до 7, так и описательно, с использованием следующих ключевых слов: emergency (0), alert (1), critical (2), error (3), warning (4), notice (5), info (6) или debug (7).

**Значение по умолчанию:** включено; уровень info  
**Формат:** logging console [severityLevel]  
**Режим ввода команд:** глобальная конфигурация

### ***no logging console***

Эта команда выключает ведение журнала в консоли.

**Формат:** no logging console  
**Режим ввода команд:** глобальная конфигурация

### ***logging host***

Команда для настройки параметров серверов syslog. Настроить можно до 8 серверов.

**Значение по умолчанию:** port: 514 (для UDP) и 6514 (для TLS)  
authentication mode: анонимно  
certificate index: 0  
level: critical (2)

**Формат:** `logging host {hostaddress | hostname} address-type tls [anon|x509name] certificate-index {port severitylevel}`

**Режим ввода команд:** глобальная конфигурация

<i>Параметр</i>	<i>Описание</i>
<code>hostaddress   hostname</code>	IP-адрес сервера syslog
<code>address-type</code>	Указывает тип указанного адреса: DNS или IPv4.
<code>tls</code>	Включает защищённый протокол TLS
<code>anon x509name</code>	Тип режима аутентификации: анонимный или x509name
<code>certificate-index</code>	Номер сертификата, который будет использоваться для аутентификации. Диапазон допустимых значений: 0–8. Индекс 0 используется для файла по умолчанию.
<code>port</code>	Номер порта от 1 до 65535
<code>severitylevel</code>	Значение можно задать как целыми числами от 0 до 7, так и описательно, с использованием следующих ключевых слов: emergency (0), alert (1), critical (2), error (3), warning (4), notice (5), info (6) или debug (7)

### ***logging host reconfigure***

Эта команда разрешает изменение адреса сервера syslog.

**Формат:** `logging host reconfigure hostindex`

**Режим ввода команд:** глобальная конфигурация

<i>Параметр</i>	<i>Описание</i>
<code>hostindex</code>	Укажите индекс сервера syslog, для которого требуется изменить IP-адрес.

### ***logging host remove***

Команда для выключения ведения журнала для указанного сервера syslog. См. команду `show logging hosts` для вывода списка индексов серверов.

**Формат:** `logging host remove hostindex`

**Режим ввода команд:** глобальная конфигурация

### ***logging protocol***

Используйте команду для настройки версии протокола syslog (0 или 1). RFC 3164 использует версию 0, а RFC 5424 — версию 1.

**Значение по умолчанию:** Версия 0 (RFC 3164).

**Формат:** `logging protocol {0|1}`

**Режим ввода команд:** глобальная конфигурация

### ***logging syslog***

Команда включает отправку журнала на сервер syslog. Необязательный параметр facility назначает объект по умолчанию для использования в сообщениях тех компонентов, что не имеют встроенной привязки к объекту. Значение facility может быть задано одним из следующих ключевых слов: kernel, user, mail, system, security, syslog, lpr, nntp, uucp, cron, auth, ftp, ntp, audit, alert, clock, local0, local1, local2, local3, local4, local5, local6, local7. Объект по умолчанию: local7.

**Значение по умолчанию:** выключено  
**Формат:** logging syslog [facility facility]  
**Режим ввода команд:** глобальная конфигурация

### ***no logging syslog***

Выключает отправку журнала на сервер syslog.

**Формат:** no logging syslog [facility]  
**Режим ввода команд:** глобальная конфигурация

### ***logging syslog port***

Команда включает отправку журнала на сервер syslog. Параметр portid представляет собой целое число в диапазоне от 1 до 65535.

**Значение по умолчанию:** выключено  
**Формат:** logging syslog port portid  
**Режим ввода команд:** глобальная конфигурация

### ***no logging syslog port***

Выключает отправку журнала на сервер syslog.

**Формат:** no logging syslog port  
**Режим ввода команд:** глобальная конфигурация

### ***logging syslog source-interface***

Эта команда настраивает интерфейс, IP-адрес которого будет использоваться в качестве IP-адреса источника для сообщений syslog. Выбранный IP-адрес источника используется для заполнения заголовка IP-пакетов протокола управления. Это позволяет устройствам безопасности (брандмауэрам) идентифицировать исходные пакеты, идущие от определенного коммутатора. Если указан интерфейс, в качестве адреса источника используется основной IP-адрес иницирующего (исходящего) интерфейса.

**Формат:** logging syslog source-interface {unit/slot/port|{loopback Loopback-id}|{vlan vlan-id}}  
**Режим ввода команд:** глобальная конфигурация



<i>Параметр</i>	<i>Описание</i>
<b>unit/slot/port</b>	VLAN или интерфейс маршрутизации на базе порта
<b>loopback-id</b>	Настраивает loopback-интерфейс в качестве IP-адреса источника. Диапазон идентификатора loopback-интерфейса: от 0 до 7.
<b>tunnel-id</b>	Настраивает туннельный интерфейс в качестве IP-адреса источника. Диапазон идентификатора туннельного интерфейса: от 0 до 7.
<b>vlan-id</b>	Настраивает интерфейс VLAN в качестве IP-адреса источника. Диапазон идентификатора VLAN: 1–4094

### *no logging syslog source-interface*

Выключает отправку журнала на сервер syslog.

**Формат:** no logging syslog  
**Режим ввода команд:** глобальная конфигурация

### *show logging*

Команда показывает информацию о настройках журнала.

**Формат:** show logging  
**Режим ввода команд:** привилегированный

<i>Термин</i>	<i>Значение</i>
<b>Logging Client Local Port</b>	Порт для отправки сообщений syslog
<b>Logging Client USB File Name</b>	Имя файла на USB-носителе, для хранения журнала
<b>Logging Client Source Interface</b>	Показывает интерфейс, адрес которого используется в качестве IP-адреса источника для syslog.
<b>CLI Command Logging</b>	Показывает, включено ли ведение журнала вводимых команд
<b>Logging Protocol</b>	Номер версии протокола syslog. 0: RFC 3164 1: RFC 5424
<b>Console Logging</b>	Показывает, включено ли ведение журнала в консоли.
<b>Console Logging Severity Filter</b>	Минимальный уровень критичности для регистрации в журнале в консоли. Регистрируются сообщения с равным или меньшим числовым значением уровня критичности.
<b>Buffered Logging</b>	Показывает, включен ли журнал в памяти.

<b>Persistent Logging</b>	Показывает, включено ли ведение журнала с сохранением в память.
<b>Persistent Logging Severity Filter</b>	Минимальный уровень критичности для регистрации в журнале с постоянным сохранением в память.
<b>Syslog Logging</b>	Показывает, включена ли отправка журнала на сервер syslog.
<b>Syslog Logging Facility</b>	Показывает значение для объекта syslog.
<b>Log Messages Received</b>	Количество записей, полученных в процессе ведения журнала. Включает сообщения, которые были отброшены или проигнорированы.
<b>Log Messages Dropped</b>	Количество сообщений, которые не удалось обработать из-за ошибки или отсутствия ресурсов.
<b>Log Messages Relayed</b>	Количество сообщений, отправленных на коллектор/реле.

### ***show logging buffered***

Команда отображает журналы в буфере (журналы запуска и работы системы).

**Формат:** `show logging buffered`

**Режим ввода команд:** привилегированный

<i>Термин</i>	<i>Значение</i>
<b>Buffered (In- Memory) Logging</b>	Показывает, включен ли журнал в памяти.
<b>Buffered Logging Wrapping Behavior</b>	Действия журнала в памяти при достижении максимального объема.
<b>Buffered Log Count</b>	Количество действительных записей журнала в буфере.

### ***show logging hosts***

Команда вывода всех настроенных серверов syslog.

**Формат:** `show logging hosts`

**Режим ввода команд:** привилегированный

<i>Термин</i>	<i>Значение</i>
<b>Host Index</b>	Используется для удаления серверов
<b>IP Address / Hostname</b>	IP-адрес или имя сервера syslog
<b>Severity Level</b>	Минимальный уровень критичности для регистрации по указанному адресу. Возможные значения: emergency (0), alert (1), critical (2), error (3), warning (4), notice (5), info (6) или debug (7).
<b>Port</b>	Номер порта удалённого коллектора/реле, на кото-

	рый отправляются сообщения журнала syslog
<b>Status</b>	Поле статуса, которое показывает текущий статус. (Active, Not in Service, Not Ready).
<b>Mode</b>	Тип безопасности: UDP или TLS.
<b>Auth</b>	Тип аутентификации: anonymous или x509name
<b>Cert #</b>	Номер сертификата, используемый для аутентификации. Диапазон допустимых значений: 0–8. Индекс 0 используется по умолчанию.

### ***show logging persistent***

Команда отображает записи в журнале постоянного хранения. Если указан параметр log-files, выводятся список файлов журналов постоянного хранения.

**Формат:** `show logging persistent [log-files]`

**Режим ввода команд:** привилегированный

<i>Параметр</i>	<i>Описание</i>
<b>Persistent Logging</b>	Показывает, включено или выключено ведение журнала с постоянным хранением
<b>Persistent Log Count</b>	Количество записей в журнале постоянного хранения.
<b>Persistent Log Files</b>	Список файлов журналов постоянного хранения в системе. Отображается, если указан параметр log-files.

### ***show logging traplogs***

Команда отображает события и статистику SNMP-трапов.

**Формат:** `show logging traplogs`

**Режим ввода команд:** привилегированный

<i>Параметр</i>	<i>значение</i>
<b>Number of Traps Since Last Reset</b>	Количество трапов с момента последней загрузки.
<b>Trap Log Capacity</b>	Количество трапов, которые система может хранить
<b>Number of Traps Since Log Last Viewed</b>	Количество новых трапов с прошлого исполнения данной команды
<b>Log</b>	Номер журнальной записи.
<b>System Time Up</b>	Время работы системы на момент отправки трапа
<b>Trap</b>	Текст сообщения трапа

## *clear logging buffered*

Команда очищает журналы в буфере (журналы запуска и работы системы).

**Формат:** `clear logging buffered`

**Режим ввода команд:** привилегированный

## 5.7 Настройка оповещений по электронной почте и почтового сервера

### *logging email*

Эта команда включает оповещения по электронной почте и устанавливает минимальный уровень критичности для отправки системных сообщений. Если уровень критичности задан, системные сообщения с критичностью выше этого уровня, но ниже уровня срочной отправки будут отправляться в рабочем порядке, объединенные за определенное время. Значение `severitylevel` можно задать как целыми числами от 0 до 7, так и описательно, с использованием следующих ключевых слов: `emergency (0)`, `alert (1)`, `critical (2)`, `error (3)`, `warning (4)`, `notice (5)`, `info (6)` или `debug (7)`.

**Значение по умолчанию:** выключено; если включено, ведется отправка сообщений уровня `Warning (4)` или выше

**Формат:** `logging email [severitylevel]`

**Режим ввода команд:** глобальная конфигурация

### *no logging email*

Команда выключает почтовые оповещения.

**Формат:** `no logging email`

**Режим ввода команд:** глобальная конфигурация

### *logging email urgent*

Команда устанавливает минимальный уровень критичности, на котором системные сообщения отправляются по электронной почте мгновенно, отдельными письмами. Значение `severitylevel` можно задать как целыми числами от 0 до 7, так и описательно, с использованием следующих ключевых слов: `emergency (0)`, `alert (1)`, `critical (2)`, `error (3)`, `warning (4)`, `notice (5)`, `info (6)` или `debug (7)`. Значение `none` указывает, что системные сообщения будут отправляться в объединенном виде с указанным интервалом.

**Значение по умолчанию:** мгновенно отправляются сообщения уровня `alert (1)` и `emergency (0)`.

**Формат:** `logging email urgent {severitylevel | none}`

**Режим ввода команд:** глобальная конфигурация

### *no logging email urgent*

Эта команда устанавливает уровень критичности для срочных сообщений в значение по умолчанию.

**Формат:** no logging email urgent  
**Режим ввода команд:** глобальная конфигурация

### ***logging email message-type to-addr***

Команда позволяет настроить адрес электронной почты для отправки сообщений. Типы сообщений можно задать как *urgent*, *non-urgent* и *both*. Для каждого уровня критичности можно указать несколько адресов электронной почты. Переменная *to-email-addr* — стандартный адрес электронной почты, например *admin@yourcompany.com*.

**Формат:** logging email message-type {urgent |non-urgent |both} to-addr *to-email-addr*  
**Режим ввода команд:** глобальная конфигурация

### ***no logging email message-type to-addr***

Эта команда удаляет настроенное значение электронной почты для отправки.

**Формат:** no logging email message-type {urgent |non-urgent |both} to-addr *to-email-addr*  
**Режим ввода команд:** глобальная конфигурация

### ***logging email from-addr***

Настройка адреса электронной почты отправителя (коммутатора).

**Значение по умолчанию:** switch@eltex-co.ru  
**Формат:** logging email from-addr *from-email-addr*  
**Режим ввода команд:** глобальная конфигурация

### ***no logging email from-addr***

Команда для удаления настроенного адреса отправителя.

**Формат:** no logging email from-addr *from-email-addr*  
**Режим ввода команд:** глобальная конфигурация

### ***logging email message-type subject***

Команда позволяет настроить тему отправляемых писем по типам.

**Значение по умолчанию:** Для срочных сообщений: Urgent Log Messages  
 Для несрочных сообщений: Non Urgent Log Messages  
**Формат:** logging email message-type {urgent |non-urgent |both} subject *subject*  
**Режим ввода команд:** глобальная конфигурация

### *no logging email message-type subject*

Эта команда удаляет настроенные значения тем для отправляемых писем и возвращает настройки тем по умолчанию.

**Формат:** no logging email message-type {urgent |non-urgent |both}  
subject

**Режим ввода команд:** глобальная конфигурация

### *logging email logtime*

Позволяет настроить частоту отправки несрочных сообщений электронной почты. Несрочные системные сообщения отправляются в объединенном виде одним письмом с указанным интервалом. Допустимый диапазон значений: от 30 до 1440 минут.

**Значение по умолчанию:** 30 минут

**Формат:** logging email logtime *minutes*

**Режим ввода команд:** глобальная конфигурация

### *no logging email logtime*

Эта команда возвращает частоту отправки несрочных сообщений электронной почты в значение по умолчанию.

**Формат:** no logging email logtime

**Режим ввода команд:** глобальная конфигурация

### *logging traps*

Команда устанавливает уровень критичности, при котором SNMP-трапы заносятся в журнал и отправляются по электронной почте. Значение *severityLevel* можно задать как целыми числами от 0 до 7, так и описательно, с использованием следующих ключевых слов: emergency (0), alert (1), critical (2), error (3), warning (4), notice (5), info (6) или debug (7).

**Значение по умолчанию:** фиксируются сообщения уровня Info (6) и выше.

**Формат:** logging traps *severityLevel*

**Режим ввода команд:** глобальная конфигурация

### *no logging traps*

Возвращает значение уровня критичности, при котором SNMP-трапы заносятся в журнал, в значение по умолчанию.

**Формат:** no logging traps

**Режим ввода команд:** глобальная конфигурация

### ***logging email test message-type***

Команда для отправки сообщения электронной почты на сервер SMTP с целью тестирования функции отправки оповещений.

**Формат:** `logging email test message-type {urgent |non-urgent |both} message-body message-body`

**Режим ввода команд:** глобальная конфигурация

### ***show logging email config***

Данная команда выводит информацию о настройках оповещений по электронной почте.

**Формат:** `show logging email config`

**Режим ввода команд:** привилегированный

<i>Термин</i>	<i>Значение</i>
<b>Email Alert Logging</b>	Административное состояние функции: включена или выключена.
<b>Email Alert From Address</b>	Электронная почта отправителя (коммутатора).
<b>Email Alert Urgent Severity Level</b>	Минимальный уровень критичности, который считается срочным. Сообщения этого типа отправляются сразу.
<b>Email Alert Non Urgent Severity Level</b>	Минимальный уровень критичности, который считается несрочным. Сообщения этого типа, за исключением сообщений срочного уровня, отправляются в объединенном письме. Системные сообщения более низкого уровня не отправляются совсем
<b>Email Alert Trap Severity Level</b>	Минимальный уровень критичности для регистрации трапов в журнале.
<b>Email Alert Notification Period</b>	Интервал времени между отправками несрочных сообщений
<b>Email Alert To Address Table</b>	Настроенные получатели электронной почты
<b>Email Alert Subject Table</b>	Строки тем для срочных (Type 1) и несрочных (Type 2) сообщений электронной почты
<b>For Msg Type urgent, subject is</b>	Настроенная тема для отправки срочных сообщений
<b>For Msg Type non-urgent, subject is</b>	Настроенная тема для отправки несрочных сообщений

### ***show logging email statistics***

Команда вывода статистики оповещений по электронной почте.

**Формат:** `show logging email statistics`

**Режим ввода команд:** привилегированный

<i>Термин</i>	<i>Значение</i>
<b>Email Alert Operation Status</b>	Оперативный статус функции оповещений по электронной почте
<b>No of Email Failures</b>	Количество писем, при отправке которых произошли ошибки
<b>No of Email Sent</b>	Количество писем, отправленных с коммутатора с момента последнего сброса счетчика
<b>Time Since Last Email Sent</b>	Время, прошедшее с момента отправки последнего письма с коммутатора

### ***clear logging email statistics***

Команда для сброса статистики почтовых оповещений.

**Формат:** `clear logging email statistics`

**Режим ввода команд:** привилегированный

### ***mail-server***

Эта команда настраивает SMTP-сервер, через который коммутатор отправляет оповещения по электронной почте. Режим при этом меняется на режим конфигурирования почтового сервера. Адрес сервера может быть указан в формате IPv4, IPv6 или DNS.

**Формат:** `mail-server {ip-address | ipv6-address | hostname}`

**Режим ввода команд:** глобальная конфигурация

### ***no mail-server***

Команда для удаления указанного SMTP-сервера из конфигурации.

**Формат:** `no mail-server {ip-address | ipv6-address | hostname}`

**Режим ввода команд:** глобальная конфигурация

### ***security***

Команда для установки протокола безопасности для отправки оповещений по электронной почте: включает на коммутаторе аутентификацию TLS для SMTP-сервера. Если TLS на коммутаторе включен, а SMTP-сервер не поддерживает режим TLS, отправка электронной почты будет невозможна.

**Значение по умолчанию:** отсутствует

**Формат:** `security {tlsv1 | none}`

**Режим ввода команд:** конфигурирование почтового сервера



## **port**

Команда настройки TCP-порта для связи с SMTP-сервером. Рекомендуемый порт для TLS версии 1 — 465, при отсутствии настроек безопасности — 25. Допустимо также использовать любой нестандартный порт в диапазоне 1–65535.

**Значение по умолчанию:** 25  
**Формат:** port {465 | 25 | 1–65535}  
**Режим ввода команд:** конфигурирование почтового сервера

## **username (в режиме конфигурирования почтового сервера)**

Настраивает идентификатор логина, который коммутатор использует при аутентификации на SMTP-сервере.

**Значение по умолчанию:** admin  
**Формат:** username *name*  
**Режим ввода команд:** конфигурирование почтового сервера

## **password**

Настраивает пароль, который коммутатор использует при аутентификации на SMTP-сервере.

**Значение по умолчанию:** admin  
**Формат:** password *password*  
**Режим ввода команд:** конфигурирование почтового сервера

## **show mail-server config**

Данная команда выводит информацию о настройках оповещений по электронной почте.

**Формат:** show mail-server {*ip-address* | *hostname* | all} config  
**Режим ввода команд:** привилегированный

<b>Термин</b>	<b>Значение</b>
<b>No of mail servers configured</b>	Количество SMTP-серверов, настроенных на коммутаторе
<b>Email Alert Mail Server Address</b>	Настройка адреса IPv4/IPv6 или имени узла DNS для SMTP-сервера
<b>Email Alert Mail Server Port</b>	Порт TCP, используемый коммутатором для отправки электронной почты SMTP-серверу
<b>Email Alert Security Protocol</b>	Протокол безопасности (TLS или отсутствует), используемый коммутатором при аутентификации на SMTP-сервере
<b>Email Alert Username</b>	Имя пользователя (логин), которое коммутатор использует при аутентификации на SMTP-сервере

Email Alert Password	Пароль, который коммутатор использует при аутентификации на SMTP-сервере
----------------------	--

## 5.8 Служебные утилиты и команды очистки

В этой части описаны команды для диагностики проблем связи, а также для сброса конфигурации к заводским настройкам.

### *traceroute*

Команда `traceroute` используется для поэтапного обнаружения маршрутов, которыми в действительности следуют пакеты IPv4 или IPv6 при перемещении по сети в место назначения. Данная команда продолжает выводить синхронный ответ, когда иницируется в CLI.

Для проверки с помощью этой команды можно задать IP-адрес источника или виртуальный маршрутизатор. Следует помнить, что команда `traceroute` отправляет пакеты, которые заведомо не должны достигать места назначения, вызывая вместо этого сообщения об ошибках ICMP, которые на каждом хопе маршрута к месту назначения возвращаются в адрес источника. Задавая адрес источника, можно определить, на каком участке маршрута к месту назначения отсутствует обратная связь с адресом источника. Это применимо лишь в тех случаях, когда маршрут от источника до места назначения и обратно является симметричным. К примеру, часто команду `traceroute` запускают на периферийном маршрутизаторе, чтобы получить отклик от целевого узла более высокого уровня, при этом в качестве адреса источника используется узел в подсети периферийного маршрутизатора. Это позволяет протестировать доступность маршрутов из сети к узлам, подключенным к периферийному маршрутизатору. Как вариант, можно выполнить команду `traceroute` с адресом источника в `loopback`-интерфейсе, чтобы протестировать доступность обратного маршрута к адресу `loopback`-интерфейса.

Источник в CLI можно определить как адрес IPv4 или IPv6, виртуальный маршрутизатор или как интерфейс маршрутизации. Когда источник задан как интерфейс маршрутизации, `traceroute` отправляется с использованием основного адреса IPv4 заданного интерфейса. При использовании SNMP необходимо задать источник как адрес. При работе через веб-интерфейс источник задать нельзя.

ПО не примет входящий пакет, например ответ `traceroute`, на интерфейсе маршрутизации, если адрес назначения пакета относится к сервисному (`out-of-band`) интерфейсу управления (сервисный или сетевой порт). Аналогичным образом ПО не примет пакет в сервисном интерфейсе, если его адрес назначения принадлежит к интерфейсу маршрутизации. Соответственно, бесполезно отправлять `traceroute` на интерфейс управления, используя в качестве источника адрес интерфейса маршрутизации, или отправлять `traceroute` на интерфейсе маршрутизации, используя в качестве источника интерфейс управления. При отправке `traceroute` на интерфейс маршрутизации источник должен принадлежать этому или иному интерфейсу маршрутизации. При отправке `traceroute` на интерфейс управления источник должен принадлежать этому интерфейсу управления. Соответственно, нельзя задать источник как интерфейс управления или принадлежащий к нему адрес. При отправке `traceroute` на интерфейсе управления указывать адрес источника не нужно, система сама выбирает адрес источника на основании исходящего интерфейса.

**Значение по умолчанию:**  
count: 3 попытки  
interval: 3 секунды  
size: 0 байт  
port: 33434  
maxTtl: 30 хопов

maxFail: 5 попыток  
initTtl: 1 хоп

**Формат:** `traceroute [vrf vrf-name] {ip-address | [ipv6] {ipv6-address | hostname}} [initTtl initTtl][maxTtl maxTtl] [maxFail maxFail] [interval interval] [count count] [port port] [size size] [source {ip-address | | ipv6-address | unit/slot/port}]`

**Режим ввода команд:** привилегированный

Используя опции, описанные ниже, можно указать стартовое и максимальное значение TTL для тестовых пакетов, максимальное количество отказов до завершения, количество попыток отправки на каждом TTL и размер тестового пакета.

<i>Параметр</i>	<i>Описание</i>
<b>vrf-name</b>	Имя объекта виртуальной маршрутизации (VRF), с которого происходит запуск traceroute. Запускать traceroute можно только для узлов, доступных для данного объекта VRF. Если в дополнение к параметру vrf также указан параметр source, то источник также должен относиться к указанному VRF. Параметры ipv6 нельзя использовать в сочетании с настройками VRF.
<b>ipaddress</b>	Значение ipaddress должно быть действительным IP-адресом
<b>ipv6-address</b>	Значение ipv6-address должно быть действительным IPv6-адресом.
<b>hostname</b>	Значение hostname должно быть действительным именем узла
<b>ipv6</b>	Необязательное ключевое слово ipv6 можно использовать перед параметрами ipv6-address или hostname. При указании ключевого слова ipv6 перед hostname команда пытается разрешить указанное имя узла как IPv6-адрес.
<b>initTtl</b>	Задаёт начальное время жизни (TTL), максимальное количество хопов маршрутизатора между локальной и удаленной системой. Допустимые значения: от 0 до 255.
<b>maxTtl</b>	Задаёт максимальное значение TTL. Допустимые значения: от 1 до 255
<b>maxFail</b>	Завершает выполнение traceroute после заданного количества неудачных попыток получить ответ подряд. Допустимые значения: от 0 до 255.
<b>interval</b>	Необязательный параметр interval определяет время между попытками в секундах. Если ответ не получен за указанное время, traceroute считает попытку неудачной (отображает знак *) и отправляет следующий тестовый пакет. Если traceroute получает ответ в заданном интервале, сразу же происходит отправка следующего пакета. Допустимые значения: от 1 до 60 секунд.
<b>count</b>	Необязательный параметр count определяет количество попыток для каждого значения TTL. Допустимые

	значения: 1–10 попыток
<b>port</b>	Необязательный параметр port определяет целевой UDP-порт для отправки тестовых пакетов. Это должен быть неиспользуемый порт в удаленной системе назначения. Допустимые значения: от 1 до 65535.
<b>size</b>	Необязательный параметр size определяет размер полезной нагрузки (в байтах) для отправляемых запросов. Допустимые значения от 0 до 65507 байт
<b>source</b>	Необязательный параметр source определяет IP-адрес или интерфейс источника для traceroute.

### ***clear config***

Эта команда сбрасывает конфигурацию к заводским настройкам, не выключая коммутатор. При выполнении данной команды выводится запрос на подтверждение сброса конфигурации. При ответе у (да) текущая конфигурация на коммутаторе сбрасывается до значений по умолчанию. Перезагрузка коммутатора не происходит.

**Формат:** `clear config`  
**Режим ввода команд:** привилегированный

### ***clear counters***

В зависимости от используемых аргументов данная команда сбрасывает статистику (включая счетчики функции защиты от петель) для конкретного объекта unit/slot/port, для всех портов или для интерфейса VLAN. Если указан виртуальный маршрутизатор, сбрасывается статистика портов на виртуальном маршрутизаторе. Если маршрутизатор не указан, будет использован маршрутизатор по умолчанию.

**Формат:** `clear counters {unit/slot/port | all [vrf vrf-name] | vlan id}`  
**Режим ввода команд:** привилегированный

### ***clear igmpsnooping***

Данная команда очищает таблицы, которыми управляет функция IGMP Snooping, и пытается удалить эти записи из таблицы коммутации многоадресного трафика.

**Формат:** `clear igmpsnooping`  
**Режим ввода команд:** привилегированный

### ***clear ip access-list counters***

Команда сброса счетчиков списка ACL для указанного имени IP ACL и номера правила IP ACL.

**Формат:** `clear ip access-list counters acl-ID | acl-name rule-id`  
**Режим ввода команд:** привилегированный

### ***clear ipv6 access-list counters***

Команда сброса счетчиков списка ACL для указанного имени IP ACL и номера правила IP ACL.

**Формат:** `clear ipv6 access-list counters acl-name rule-id`

**Режим ввода команд:** привилегированный

### ***clear mac access-list counters***

Команда сброса счетчиков списка ACL для указанного имени MAC ACL и номера правила MAC ACL.

**Формат:** `clear mac access-list counters acl-name rule-id`

**Режим ввода команд:** привилегированный

### ***clear pass***

Команда сбрасывает все пользовательские пароли к заводским настройкам, не выключая коммутатор. При исполнении выводится запрос на подтверждение сброса паролей.

**Формат:** `clear pass`

**Режим ввода команд:** привилегированный

### ***clear traplog***

Команда очищает журнал трапов.

**Формат:** `clear traplog`

**Режим ввода команд:** привилегированный

### ***clear vlan***

Эта команда сбрасывает параметры конфигурации VLAN к заводским настройкам. У сброса конфигурации VLAN есть несколько последствий, касающихся GVRP:

1. Статические VLAN удаляются.
2. GVRP восстанавливается до заводских настроек в результате обработки события VLAN RESTORE NOTIFY. Так как GVRP по умолчанию выключен, в результате GVRP выключается, а все его динамические VLAN — удаляются.

**Формат:** `clear vlan`

**Режим ввода команд:** привилегированный

### ***logout***

Эта команда закрывает текущее соединение Telnet или сбрасывает текущее последовательное соединение.



Перед выполнением команды сохраните изменения конфигурации.

**Формат:** `logout`  
**Режимы ввода команд:** привилегированный  
пользовательский

### *ping*

Используйте эту команду, чтобы определить, есть ли другой компьютер в сети. Ping выводит синхронный ответ при запуске в CLI и веб-интерфейсах.

**Значение по умолчанию:** количество по умолчанию: 1;  
**Интервал по умолчанию:** 3 секунды;  
**Размер по умолчанию:** 0 байт.

**Формат:** `ping [vrf vrf-name] {ip-address| hostname | {ipv6 {interface {unit/slot/port | vlan 1-4093 | loopback loopback-id | network | serviceport | tunnel tunnel-id } link-local-address} | ipbaddr | hostname} [count count] [interval 1-60] [size size] [source ip- address | ipbaddr | {unit/slot/port | vlan 1-4093 | serviceport | network}] [outgoing- interface {unit/slot/port | vlan 1-4093 | serviceport | network}]`

**Режимы ввода команд:** привилегированный  
пользовательский

Используя описанные ниже опции, можно задать количество и размер запросов, а также интервал между ними.

<i>Параметр</i>	<i>Описание</i>
<b>vrf-name</b>	Имя виртуального маршрутизатора, на котором будет инициирована команда ping. Если виртуальный маршрутизатор не указан, команда инициируется на маршрутизаторе по умолчанию
<b>address</b>	IPv4- или IPv6-адреса для отправки запроса
<b>count</b>	Параметр count используется, чтобы задать количество пакетов ping (запросов ICMP) для отправки по адресу назначения, который указан в поле ip-address. Диапазон значений: 1–15 запросов.
<b>interval</b>	Параметр interval определяет время между запросами в секундах. Допустимые значения: от 1 до 60 секунд.
<b>size</b>	Параметр size определяет размер полезной нагрузки (в байтах) для отправляемых запросов. Допустимые значения от 0 до 65507 байт.
<b>source</b>	Параметр source задает IP/IPv6-адрес или интерфейс источника, который будет использован при отправке запросов.

<b>hostname</b>	Параметр <code>hostname</code> используется для разрешения адреса IPv6 или IPv4. Ключевое слово <code>ipv6</code> указывает, что имя узла требуется разрешить к IPv6-адресу. Адрес IPv4 используется, если ключевое слово не задано.
<b>ipv6</b>	Необязательное ключевое слово <code>ipv6</code> может использоваться перед параметрами <code>ipv6-address</code> или <code>hostname</code> . Если необязательное ключевое слово <code>ipv6</code> стоит перед <code>hostname</code> , имя узла требуется разрешить к IPv6-адресу. Ключевое слово также используется для проверки <code>link-local</code> IPv6-адреса.
<b>interface</b>	Ключевое слово <code>interface</code> используется для проверки с помощью <code>ping</code> -запросов <code>link-local</code> IPv6-адреса через данный интерфейс
<b>link-local- address</b>	<code>link-local</code> IPv6-адрес для проверки с помощью <code>ping</code> -запросов.
<b>outgoing- interface</b>	Используйте параметр <code>outgoing-interface</code> , чтобы определить исходящий интерфейс при отправке запросов <code>ping</code> на многоадресный IP/IPv6-адрес

### **quit**

Эта команда закрывает текущее соединение Telnet или сбрасывает текущее последовательное соединение. Система выдает запрос на сохранение изменений конфигурации перед выходом.

**Формат:** `quit`  
**Режимы ввода команд:** привилегированный  
пользовательский

### **reload**

Эта команда перезагружает коммутатор. Перезагрузка означает, что все сетевые соединения завершаются и выполняется начальный загрузчик. Коммутатор использует для инициализации сохраненную конфигурацию. При выполнении без параметров выводится запрос на подтверждение сохранения конфигурации и подтверждение перезагрузки.

**Формат:** `reload [configuration [scriptname]]`  
**Режим ввода команд:** привилегированный

<b>Параметр</b>	<b>Описание</b>
<b>configuration</b>	Перезагружает конфигурацию без перезагрузки коммутатора. Если имя файла конфигурации не определен, загружается файл стартовой конфигурации
<b>scriptname</b>	Имя файла конфигурации для загрузки. Имя файла должно включать расширение <code>scr</code>

## copy

Команда загружает файлы на коммутатор и выгружает их с него. Использовать команду `copy` можно для управления в файловой системе двойными образами ПО (активным и резервным). Выгрузка и загрузка файлов с сервера происходит с использованием FTP, TFTP, Xmodem, Ymodem или Zmodem. SFTP и SCP доступны как дополнительные методы передачи, если пакет программного обеспечения поддерживает безопасное управление. Если используется FTP, требуется пароль.

**Формат:** `copy source destination {verify | noverify}`

**Режим ввода команд:** привилегированный

Замените параметры `source` и `destination` опциями из таблицы ниже. Для url источника или места назначения используйте одно из следующих значений:

```
{xmodem | ymodem | zmodem |  
tftp://<ipaddress|hostname>/<filepath>/<filename> |  
ftp://<username>@<ipaddr|hostname>/< filepath>/<filename> |  
scp://<username>@<ipaddr|hostname>/< filepath>/<filename> |  
sftp://<username >@<ipaddr|hostname>/< filepath>/<filename>  
| usb://<filepath>/<filename>}
```

Параметр `verify | noverify` доступен, только если для образа ПО/конфигурации включена функция проверки цифровой подписи (см. «file verify»). `verify` определяет, что для указанного загруженного образа или файла конфигурации будет выполняться проверка цифровой подписи. `noverify` определяет, что проверка не будет выполняться.

Ключевое слово `ias-users` поддерживает загрузку пользовательского файла базы данных IAS. После загрузки этого файла пользовательская база данных для IAS коммутатора будет заменена пользователями и связанными атрибутами из загруженного файла. В команде `copy url ias-users` используется для одно из следующих значений URL пользовательского файла IAS:

```
{ tftp://<ipaddress|hostname>/<filepath>/<filename> |  
ftp://<username >@<ipaddr|hostname>/<filepath>/<filename> |  
scp://<username >@<ipaddr|hostname>/<filepath>/<filename> |  
sftp://<username >@<ipaddr|hostname>/<filepath>/<filename> |  
usb://<filepath>/<filename>}
```



**Максимальная длина пути к файлу — 160 символов, максимальная длина для имени файла — 128 символов.**

Для FTP, TFTP, SFTP и SCP параметр `ipaddr|hostname` — это IP-адрес или имя сервера, `filepath` — путь к файлу, `filename` — имя файла, который требуется выгрузить или загрузить. Для SFTP и SCP параметр `username` — это имя пользователя для входа на удаленный сервер по SSH.



В стеке можно использовать необязательный параметр [unit unit id] (если доступен), чтобы указать юнит стека, используемый в качестве источника при копировании. Если юнит не задан, элемент копируется с главного юнита стека.

Чтобы скопировать в коммутатор сертификаты OpenFlow SSL, используя TFTP или XMODEM, используйте следующие опции, подходящие для сертификатов OpenFlow SSL.

**Формат:** copy [<mode/file>] nvram:{openflow-ssl-ca-cert | openflow-ssl-cert | openflow-ssl-priv-key}

**Режим ввода команд:** привилегированный



**В целях резервного копирования не забудьте выгрузить существующий файл конфигурации с коммутатора до загрузки образа нового релиза.**

<i>Source</i>	<i>Destination</i>	<i>Описание</i>
nvram:application:sourcefilename	url	Исходное имя файла приложения
nvram:backup-config	nvram:startup-config	Копирование резервной конфигурации в стартовую конфигурацию
nvram:clibanner	url	Копирует баннер CLI на сервер.
nvram:core-dump [unit unit id]	tftp:// <ipaddress hostname>/ <filepath>/<filename>  ftp:// <user>@<ipaddr hostname>/<path>/<filename>   scp:// <user>@<ipaddr hostname>/<path>/<filename>   sftp:// <user>@<ipaddr hostname>/<path>/<filename>}	Выгружает файл дампа памяти локальной системы на внешний сервер TFTP/FTP/SCP/SFTP
nvram:cpupktcapture.pcap [unit unit id]	url	Выгружает файл захвата пакетов CPU
nvram:crash-log	url	Копирует журнал сбоев на сервер.
nvram:errorlog	url	Копирует журнал ошибок на сервер
nvram:factory-defaults	url	Выгружает файл заводских настроек
nvram:fastpath.cfg	url	Выгружает двоичный файл конфигурации на сервер
nvram:log	url	Копирует файл журнала на сервер.
nvram:operational-log [unit unit id]	url	Копирует файл операционного журнала на сервер
nvram:script	url	Копирует указанный файл сценария

scriptname		рия конфигурации на сервер
nvrn:startup-config	nvrn:backup-config	Копирует стартовую конфигурацию в резервную конфигурацию
nvrn:startup-config	url	Копирует стартовую конфигурацию на сервер
nvrn:startup-log [unit unit id]	url	Выгружает файл журнала запусков
nvrn: tech-support [unit unit id]	url	Выгружает системную и конфигурационную информацию для технической поддержки
nvrn:traplog	url	Копирует файл журнала трапов на сервер
system:running-config	nvrn:startup-config	Сохраняет текущую конфигурацию в энергонезависимой памяти
system:running-config	nvrn:factory-defaults	Сохраняет текущую конфигурацию в энергонезависимой памяти в файл заводских настроек.
system:image	url	Сохраняет образ системы на сервер.
tftp:// <ipaddress>/<filename>	system:packet.pcap	Копирует файл PCAP в RAM. Файл PCAP используется для инъекции пакетов в микросхему в целях трассировки
url	nvrn:application destfilename	Имя целевого файла для файла приложения.
url	nvrn:backup-config	Загружает файл резервной конфигурации
url	nvrn:ca-root index	Загружает файл сертификата CA во флеш-память и устанавливает имя сохранённого файла в CAindex.pem
url	nvrn:clibanner	Загружает баннер CLI в систему.
url	nvrn:client-key index	Загружает клиентский файл ключей во флеш-память и устанавливает имя сохранённого файла в CAindex.key
url	nvrn:client-ssl-cert 1-8	Загружает клиентский сертификат во флеш-память и устанавливает имя
url	nvrn:debug-key	Загружает ключ доступа к подсистеме linux
url	nvrn:factory-defaults	Загружает файл заводских настроек
url	nvrn:fastpath.cfg	Загружает в систему двоичный файл конфигурации
url	nvrn:license-key	Загружает файл лицензии

url	nvrn:openflow-ssl-ca-cert	Загружает сертификаты OpenFlow SSL
url	nvrn:openflow-ssl-cert	Загружает сертификаты OpenFlow SSL
url	nvrn:openflow-ssl-priv-key	Загружает сертификаты OpenFlow SSL
url	nvrn:publickey-config	Загружает публичный ключ для проверки сценария конфигурации.
url	nvrn:publickey-image	Загружает публичный ключ для проверки образа ПО
url	nvrn:script destfilename	Загружает файл сценария конфигурации в систему. Во время загрузки сценария конфигурации команда копирования проверяет сценарий. В случае любой ошибки команда составляет список всех строк в конце процесса проверки и запрашивает подтверждение перед копированием файла сценария.
url	nvrn:script <i>destfilename</i> noval	При использовании этой опции команда копирования не будет проверять загруженный файл сценария. Пример команды CLI:  (Routing) #copy tftp://1.1.1.1/file.scr nvrn:script file.scr noval
url	nvrn:sshkey-dsa	Загружает файл SSH-ключей
url	nvrn:sshkey-rsa1	Загружает файл SSH-ключей
url	nvrn:sshkey-rsa2	Загружает файл SSH-ключей
url	nvrn:sslpem-dhweak	Загружает сертификат защищенного HTTP-сервера
url	nvrn:sslpem-dhstrong	Загружает сертификат защищенного HTTP-сервера
url	nvrn:sslpem-root	Загружает сертификат защищенного HTTP-сервера
url	nvrn:sslpem-server	Загружает сертификат защищенного HTTP-сервера
url	nvrn:startup-config	Загружает в систему файл стартовой конфигурации
url	ias-users	Загружает в систему пользовательский файл базы данных IAS. Когда пользовательский файл IAS загружен, база данных IAS на коммутаторе заменяется пользователями и их атрибутами, доступными в загруженном файле

url	nvrn:tech-support-cmds	Загружает файл со списком команд, которые будут выводиться при выполнении команды show tech-support.
url	{active   backup}	Загружает с удаленного сервера образ в качестве любого из образов ПО. В среде стекирования загруженный образ ПО распространяется на все узлы стека
{active   backup}	url	Выгружает любой из образов ПО на удаленный сервер.
active	backup	Копирует активный образ ПО в резервный образ
backup	active	Копирует резервный образ ПО в активный образ
{active   backup}	unit://unit/{active   backup}	Копирует образ ПО с узла управления в определенный узел стека. Используйте параметр unit, чтобы задать узел, в который требуется скопировать образ.
{active   backup}	unit://unit/{active   backup}	Копирует образ ПО с узла управления на все узлы стека

### **file verify**

Эта команда включает проверку цифровой подписи в процессе загрузки образа ПО и/или файла конфигурации на коммутатор.

**Формат:** file verify {all | image | none | script}

**Режим ввода команд:** глобальная конфигурация

<b>Параметр</b>	<b>Описание</b>
<b>All</b>	Проверяет цифровую подпись образа ПО и файлов конфигурации.
<b>Image</b>	Проверяет только цифровую подпись файлов образов.
<b>None</b>	Выключает проверку цифровой подписи для образов ПО и файлов конфигурации.
<b>Script</b>	Проверяет только цифровую подпись файлов конфигурации.

### **no file verify**

Сбрасывает настройку проверки цифровой подписи к значению по умолчанию.

**Формат:** no file verify

**Режим ввода команд:** глобальная конфигурация

### ***write memory***

Команда позволяет сохранить текущие изменения конфигурации в энергонезависимую память, чтобы все изменения сохранились после перезагрузки. Результат выполнения совпадает с командой `copy system:running-config nvram:startup-config`. Используйте ключевое слово `confirm`, чтобы сохранить конфигурацию в энергонезависимую память без подтверждения.

**Формат:** `write memory [confirm]`

**Режим ввода команд:** привилегированный

## **5.9 Управление лицензиями для расширенных функций**

В этой части описаны команды, которые используются для загрузки лицензионных ключей и доступа к расширенным функциям. Доступ к расширенным функциям без лицензионного ключа невозможен. Возможно лицензирование следующих компонентов: OSPF, OSPFV3, RIP, VRRP, BGP, DCBX, FIP SNOOPING, QCN, DOT1AD, DOT3AH/EFM-OAM, DOT1AG/CFM-OAM, TR069. Без файла лицензии данные компоненты использовать нельзя.

### ***copy <url> nvram:license-key***

Загрузить файл лицензии на устройство.

**Значение по умолчанию** Отсутствует

**Формат** `copy`  
`<tftp|ftp|scp|sftp|usb://<ipaddr>/<filepath>/<filename>>`  
`|xmodem|ymodem|zmodem nvram:license-key`

**Режим ввода команды** Привилегированный режим

### ***delete license-key***

С помощью этой команды можно удалить файл лицензии

**Значение по умолчанию** Выключено

**Формат** `delete license-key`

**Режим ввода команды** Режим глобальной конфигурации

### ***show license***

Просмотреть состояние лицензии на текущий момент

**Формат** `show license`

**Режим ввода команды** Привилегированный режим

### ***show license features***

Просмотреть список лицензируемых компонентов

**Формат** `show license features`

**Режим ввода команды** Привилегированный режим

## 5.10 Настройка SNTP протокола

В этой части приведены команды автоматической настройки системного времени и даты с помощью Simple Network Time Protocol (SNTP).

### *sntp broadcast client poll-interval*

Команда задает интервал опроса широковещательного клиента SNTP в секундах, равный двум в степени poll-interval. Значение poll-interval может быть от 6 до 10.

**Значение по умолчанию:** 6

**Формат:** sntp broadcast client poll-interval *poll-interval*

**Режим ввода команд:** глобальная конфигурация

### *no sntp broadcast client poll-interval*

Сброс интервал опроса широковещательного клиента SNTP к значению по умолчанию.

**Формат:** no sntp broadcast client poll-interval

**Режим ввода команд:** глобальная конфигурация

### *sntp client mode*

Команда включает режим SNTP-клиента и может установить режим широковещательной или одноадресной передачи.

**Значение по умолчанию:** выключено

**Формат:** sntp client mode [*broadcast* | *unicast*]

**Режим ввода команд:** глобальная конфигурация

### *no sntp client mode*

Команда выключает режим SNTP-клиента.

**Формат:** no sntp client mode

**Режим ввода команд:** глобальная конфигурация

### *sntp client port*

Команда устанавливает идентификатор порта SNTP-клиента в значение 0, 123 или иное значение между 1025 и 65535. Значение по умолчанию 0 (порт SNTP не настроен пользователем). В этом случае фактическое значение порта клиента, используемое в пакетах SNTP будет назначено ОС.

**Значение по умолчанию:** 0

**Формат:** sntp client port *portid*

**Режим ввода команд:** глобальная конфигурация

---

### *no sntp client port*

Сброс клиентского порта SNTP к значению по умолчанию.

**Формат:** no sntp client port  
**Режим ввода команд:** глобальная конфигурация

### *sntp unicast client poll-interval*

Команда задает интервал опроса одноадресного клиента SNTP в секундах, равный двум в степени poll-interval. Значение poll-interval может быть от 6 до 10.

**Значение по умолчанию:** 6  
**Формат:** sntp unicast client poll-interval *poll-interval*  
**Режим ввода команд:** глобальная конфигурация

### *no sntp unicast client poll-interval*

Эта команда сбрасывает интервал опроса для одноадресного SNTP-клиента к значению по умолчанию.

**Формат:** no sntp unicast client poll-interval  
**Режим ввода команд:** глобальная конфигурация

### *sntp unicast client poll-timeout*

Команда устанавливает интервал опроса для одноадресного SNTP-клиента в секундах. Значение poll-timeout может быть от 1 до 30.

**Значение по умолчанию:** 5  
**Формат:** sntp unicast client poll-timeout *poll-timeout*  
**Режим ввода команд:** глобальная конфигурация

### *no sntp unicast client poll-timeout*

Команда для сброса интервала опроса к значению по умолчанию.

**Формат:** no sntp unicast client poll-timeout  
**Режим ввода команд:** глобальная конфигурация

### *sntp unicast client poll-retry*

Команда устанавливает количество повторных попыток опроса для одноадресного SNTP-клиента в значение от 0 до 10.

**Значение по умолчанию:** 1  
**Формат:** sntp unicast client poll-retry *poll-retry*

**Режим ввода команд:** глобальная конфигурация

### *no sntp unicast client poll-retry*

Эта команда сбрасывает количество повторных попыток опроса для одноадресного SNTP-клиента к значению по умолчанию.

**Формат:** `no sntp unicast client poll-retry`

**Режим ввода команд:** глобальная конфигурация

### *sntp server*

Команда настраивает сервер SNTP (максимум три). Адрес сервера может быть адресом IPv4 или IPv6 или Hostname. Необязательный приоритет может иметь значение от 1 до 3; значение версии — 1–4; идентификатор порта — 1–65535.

**Формат:** `sntp server {ipaddress | ipv6address | hostname} [priority [version [portid]]]`

**Режим ввода команд:** глобальная конфигурация

### *no sntp server*

Эта команда удаляет сервер из числа настроенных серверов SNTP.

**Формат:** `no sntp server remove {ipaddress | ipv6address | hostname}`

**Режим ввода команд:** глобальная конфигурация

### *sntp source-interface*

Используйте эту команду, чтобы задать физический или логический интерфейс, адрес которого будет использоваться в качестве IP-адреса источника в настройке одноадресного SNTP-сервера. Настроенный адрес источника используется в любом SNTP-соединении между сервером и клиентом SNTP. Выбранный IP-адрес источника используется для заполнения заголовка IP-пакетов протокола управления. Это позволяет устройствам безопасности (брандмауэрам) идентифицировать исходные пакеты, идущие от определенного коммутатора. Если интерфейс не задан, в качестве адреса источника используется основной IP-адрес иницилирующего (исходящего) интерфейса. При сбое настроенного интерфейса SNTP-клиент возвращается к алгоритму действий по умолчанию.

**Формат:** `sntp source-interface {unit/slot/port | loopback Loopback-id | vlan vlan-id}`

**Режим ввода команд:** глобальная конфигурация

<i>Параметр</i>	<i>Описание</i>
<b>unit/slot/port</b>	Идентификатор юнита, присвоенный коммутатору
<b>loopback-id</b>	Конфигурирует loopback-интерфейс. Диапазон идентификатора loopback от 0 до 7
<b>tunnel-id</b>	Конфигурирует туннельный интерфейс IPv6. Диапазон туннельного ID от 0 до 7



<b>vlan-id</b>	Конфигурирует VLAN-интерфейс, чтобы использовать в качестве исходного IP-адреса. Диапазон ID VLAN: 1-4093
----------------	---

### *no sntp source-interface*

Команда используется, чтобы сбросить IP-адрес источника SNTP к значениям по умолчанию.

**Формат:** no sntp source-interface

**Режим ввода команд:** глобальная конфигурация

### *show sntp*

Команда отображения настроек SNTP и его состояния.

**Формат:** show sntp

**Режим ввода команд:** привилегированный

<i>Термин</i>	<i>Значение</i>
<b>Last Update Time</b>	Время последнего обновления часов.
<b>Last Attempt Time</b>	Время последнего запроса передачи (в одноадресном режиме).
<b>Last Attempt Status</b>	Состояние последнего запроса SNTP (в одноадресном режиме) или не запрошенного сообщения (в широковещательном режиме).
<b>Broadcast Count</b>	Текущее количество не запрошенных широковещательных сообщений, которые были получены и обработаны SNTP-клиентом с момента последней перезагрузки.

### *show sntp client*

Команда отображения настроек SNTP-клиента.

**Формат:** show sntp client

**Режим ввода команд:** привилегированный

<i>Термин</i>	<i>Значение</i>
<b>Client Supported Modes</b>	Поддерживаемые режимы SNTP (широковещательная или одноадресная передача).
<b>SNTP Version</b>	Последняя версия SNTP, поддерживаемая клиентом.
<b>Port</b>	Порт SNTP-клиента. Значение 0 является значением по умолчанию. Когда значение порта клиента 0, если клиент находится в широковещательном режиме, связывается с портом 123; если клиент находится в одноадресном режиме, значение связывается с портом, назначенным ОС.

<b>Client Mode</b>	Настроенный режим SNTP-клиента.
--------------------	---------------------------------

### **show sntp server**

Эта команда используется, чтобы отобразить настройки SNTP-сервера и сконфигурированные серверы.

**Формат:** `show sntp server`

**Режим ввода команд:** привилегированный

<i>Термин</i>	<i>Значение</i>
<b>Server Host Address</b>	IP-адрес или имя узла сконфигурированного SNTP-сервера
<b>Server Type</b>	Тип адреса сервера (IPv4, IPv6 или DNS).
<b>Server Stratum</b>	Заявленный уровень часовой слой сервера для последнего полученного действительного пакета.
<b>Server Reference ID</b>	Справочный идентификатор часов сервера для последнего полученного допустимого пакета
<b>Server Mode</b>	Режим SNTP-сервера.
<b>Server Maximum Entries</b>	Максимальное количество SNTP-серверов
<b>Server Current Entries</b>	Общее количество сконфигурированных SNTP-серверов.

Параметры для каждого сконфигурированного сервера:

<i>Термин</i>	<i>Значение</i>
<b>IP Address / Hostname</b>	IP-адрес или имя узла сконфигурированного SNTP-сервера.
<b>Address Type</b>	Тип адреса сконфигурированного SNTP-сервера (IPv4, IPv6 или DNS).
<b>Priority</b>	Значение приоритета сконфигурированного сервера
<b>Version</b>	Номер версии SNTP-сервера. Версия протокола, используемая при опросах сервера в одноадресном режиме.
<b>Port</b>	Номер порта сервера
<b>Last Attempt Time</b>	Время последней попытки для указанного сервера
<b>Last Update Status</b>	Статус последней попытки для указанного сервера.
<b>Total Unicast Requests</b>	Количество запросов к серверу.
<b>Failed Unicast Requests</b>	Число неудачных запросов к серверу

### **show sntp source-interface**

Команда отображения адреса источника SNTP-клиента, настроенного на коммутаторе.

**Формат:** `show sntp source-interface`

Режим ввода команд: привилегированный

<i>Поле</i>	<i>Описание</i>
<b>SNTP Client Source Interface</b>	Идентификатор физического или логического интерфейса, адрес которого используется, как IP-адрес источника SNTP-клиента
<b>SNTP Client Source IPv4 Address</b>	IP-адрес источника SNTP-клиента

## 5.11 Настройка часов реального времени

Команды настройки часовых поясов позволяют настроить системное время и дату, часовой пояс и переход на летнее время. Переход на летнее время может выполняться периодически или нет.

### *clock set*

Команда устанавливает системное время и дату.

**Формат:** `clock set hh:mm:ss`  
`clock set mm/dd/yyyy`

**Режим ввода команд:** глобальная конфигурация

<i>Параметр</i>	<i>Описание</i>
<b>hh:mm:ss</b>	Текущее системное время в 24-часовом формате (часы, минуты, секунды) Диапазон для часов: от 0 до 23, для минут: от 0 до 59, для секунд: от 0 до 59
<b>mm/dd/yyyy</b>	Текущая системная дата. (месяц, день, год). Диапазон для месяца: от 1 до 12. Диапазон для дня: от 1 до 31. Диапазон для года: от 2010 до 2079.

### *clock summer-time date*

Данная команда позволяет установить смещение летнего времени относительно UTC. Если необязательные параметры не определены, они считаются как 0 или как \0.

**Формат:** `clock summer-time date {date month year hh:mm date month year hh:mm}[offset offset] [zone acronym]`

**Режим ввода команд:** глобальная конфигурация

<i>Параметр</i>	<i>Описание</i>
<b>date</b>	День месяца. Допустимые значения: от 1 до 31.
<b>month</b>	Месяц. Указываются первые три буквы месяца (например, Jan).
<b>year</b>	Год. Допустимые значения: от 2000 до 2097.
<b>hh:mm</b>	Время в 24-часовом формате (час:мин). Диапазон для часов: от 0 до 23, для минут: от 0 до 59

<b>offset</b>	Число дополнительных минут к летнему времени. Допустимые значения: от 1 до 1440
<b>acronym</b>	Обозначение летнего времени для отображения в период действия летнего времени. Длина: до четырех символов

### ***clock summer-time recurring***

Команда устанавливает параметры циклического включения летнего времени.

**Формат:** `clock summer-time recurring {week day month hh:mm week day month hh:mm} [offset offset] [zone acronym]`

**Режим ввода команд:** глобальная конфигурация

<b>Параметр</b>	<b>Описание</b>
<b>EU</b>	Системные часы используют стандартные повторяющиеся настройки летнего времени, используемые в странах Евросоюза
<b>USA</b>	Системные часы используют стандартные повторяющиеся настройки летнего времени, используемые в США
<b>week</b>	Неделя месяца. Диапазон значений: 1–5, first, last.
<b>day</b>	День недели. Обозначение: первые три буквы (например, «sun»).
<b>month</b>	Месяц. Обозначение: первые три буквы (например, «jan»).
<b>hh:mm</b>	Время в 24-часовом формате (час:мин). Диапазон для часов: от 0 до 23, для минут: от 0 до 59
<b>offset</b>	Число дополнительных минут к летнему времени. Допустимые значения: от 1 до 1440
<b>acronym</b>	Обозначение летнего времени для отображения в период действия летнего времени. Длина: до четырех символов

### ***no clock summer-time***

Эта команда выключает настройки летнего времени.

**Формат:** `no clock summer-time`

**Режим ввода команд:** глобальная конфигурация

### ***clock timezone***

Используйте эту команду, чтобы установить смещение относительно UTC. Если дополнительные параметры не будут определены, они считываются как 0 или как \0.

**Формат:** `clock timezone {hours} [minutes minutes] [zone acronym]`

**Режим ввода команд:** глобальная конфигурация

*no clock timezone*

Команда для сброса настроек часового пояса.

**Формат:** `no clock timezone`

**Режим ввода команд:** глобальная конфигурация

### ***show clock***

Команда отображает время и дату системных часов.

**Формат:** `show clock`

**Режим ввода команд:** привилегированный

### ***show clock detail***

Эта команда отображает подробное системное время вместе с часовым поясом и конфигурацией летнего времени.

**Формат:** `show clock detail`

**Режим ввода команд:** привилегированный

## **5.12 Настройка DHCP-сервера**

В этой части показаны команды конфигурирования настроек DHCP-сервера для коммутатора. DHCP-сервер в качестве транспортного протокола использует UDP и поддерживает функции, которые упрощают распределение административных адресов.

### ***ip dhcp pool***

Эта команда настраивает имя пула DHCP-адресов на DHCP-сервере и выполняет вход в режим конфигурирования DHCP-пула. Максимальное количество пулов адресов – 32.

**Значение по умолчанию:** отсутствует

**Формат:** `ip dhcp pool name`

**Режим ввода команд:** глобальная конфигурация

*no ip dhcp pool*

Данная команда удаляет пул DHCP адресов. Используемое имя пула должно быть одним из ранее настроенных.

**Формат:** `no ip dhcp pool name`

**Режим ввода команд:** глобальная конфигурация

### ***client-identifier***

Команда для установки уникального идентификатора DHCP-клиента. Уникальный идентификатор представляет собой действительное выражение в шестнадцатеричном формате. Некоторые системы, например DHCP-клиенты Microsoft, запрашивают идентификатор клиента вместо аппаратных адресов. Уникальный идентификатор устанавливает связь между типом носителя и MAC-адресом. Например, идентификатор клиента Microsoft для Ethernet-адреса c819.2488.f177 выглядит как 01c8.1924.88f1.77, где 01 обозначает тип носителя (Ethernet). Подробнее об этом см. в разделе «Address Resolution Protocol Parameters» стандарта RFC 1700, где приводится список номерных кодов по типам носителей.

**Значение по умолчанию:** отсутствует  
**Формат:** `client-identifier uniqueidentifier`  
**Режим ввода команд:** конфигурация пула DHCP

### ***no client-identifier***

Удаляет идентификатор клиента.

**Формат:** `no client-identifier`  
**Режим ввода команд:** конфигурация пула DHCP

### ***client-name***

Команда задает имя для DHCP-клиента. Имя должно представлять собой строку из стандартных символов ASCII.

**Значение по умолчанию:** отсутствует  
**Формат:** `client-name name`  
**Режим ввода команд:** конфигурация пула DHCP

### ***no client-name***

Удаляет имя клиента.

**Формат:** `no client-name`  
**Режим ввода команд:** конфигурация пула DHCP

### ***default-router***

Данная команда задает список маршрутизаторов по умолчанию для DHCP-клиента. {*address1*, *address2*... *address8*} — действительные IP-адреса, каждый из которых составлен из четырех десятичных байтов в пределах от 0 до 255. IP-адрес 0.0.0.0 не является действительным.

**Значение по умолчанию:** отсутствует  
**Формат:** `default-router address1 [address2...address8]`  
**Режим ввода команд:** конфигурация пула DHCP

### *no default-router*

Команда удаляет список маршрутизаторов по умолчанию.

**Формат:** no default-router  
**Режим ввода команд:** конфигурация пула DHCP

### *dns-server*

Эта команда задает DNS-серверы, доступные для DHCP-клиента. Параметры адреса — действительные IP-адреса, каждый из которых составлен из четырех десятичных байтов в пределах от 0 до 255. IP-адрес 0.0.0.0 не является действительным.

**Значение по умолчанию:** отсутствует  
**Формат:** dns-server address1 [address2...address8]  
**Режим ввода команд:** конфигурация пула DHCP

### *no dns-server*

Команда для удаления списка DNS-серверов.

**Формат:** no dns-server  
**Режим ввода команд:** конфигурация пула DHCP

### *hardware-address*

Данная команда задает аппаратный адрес DHCP-клиента. Аппаратный адрес — это MAC-адрес аппаратной платформы клиента, состоящий из 6 байт в шестнадцатеричном формате с точками. Тип указывает протокол, используемый аппаратной платформой. (1 для Ethernet 10 МБ и 6 для IEEE 802).

**Значение по умолчанию:** Ethernet  
**Формат:** hardware-address hardwareaddress type  
**Режим ввода команд:** конфигурация пула DHCP

### *no hardware-address*

Команда удаляет аппаратный адрес DHCP-клиента.

**Формат:** no hardware-address  
**Режим ввода команд:** конфигурация пула DHCP

### *host*

С помощью этой команды можно указать IP-адрес и маску сети для привязки к DHCP-клиенту вручную. Адрес и маска должны представлять собой действительные IP-адреса; каждый из которых составлен из четырех десятичных байтов в пределах от 0 до 255. IP-адрес 0.0.0.0 не является действительным. Префикс — целое число от 0 до 32.

---

**Значение по умолчанию:** отсутствует  
**Формат:** `host address [{mask | prefix-length}]`  
**Режим ввода команд:** конфигурация пула DHCP

### *no host*

Команда удаляет IP-адрес DHCP-клиента.

**Формат:** `no host`  
**Режим ввода команд:** конфигурация пула DHCP

### *lease*

Эта команда настраивает срок аренды для IP-адреса, который DHCP-сервер назначил DHCP-клиенту. Срок аренды должен быть установлен в пределах от 1 до 86400 минут. При указании значения `infinite` срок аренды устанавливается на 60 дней. Можно указать точный срок действия аренды с помощью следующих параметров. `Days` — целое число от 0 до 59. `Hours` — целое число от 0 до 23. `Minutes` — целое число от 0 до 59.

**Значение по умолчанию:** 1 (день)  
**Формат:** `lease [{days [hours] [minutes] | infinite}]`  
**Режим ввода команд:** конфигурация пула DHCP

### *no lease*

Эта команда восстанавливает значение по умолчанию для срока аренды DHCP-сервера.

**Формат:** `no lease`  
**Режим ввода команд:** конфигурация пула DHCP

### *network (в режиме конфигурации пула DHCP)*

Команду для настройки номера подсети и маски для пула DHCP-адресов на сервере. Номер сети — действительный IP-адрес из четырех десятичных байтов в пределах от 0 до 255. IP-адрес 0.0.0.0 не является действительным. Маска — маска подсети IP для указанного пула адресов. Префикс — целое число от 0 до 32.

**Значение по умолчанию:** отсутствует  
**Формат:** `network networknumber [{mask | prefixLength}]`  
**Режим ввода команд:** конфигурация пула DHCP

### *no network*

Удаляет номер подсети и маску.

**Формат:** `no network`  
**Режим ввода команд:** конфигурация пула DHCP



### ***bootfile***

Команда задает имя загрузочного образа ПО по умолчанию для DHCP-клиента. Параметр `filename` задает имя загрузочного образа ПО.

**Формат:** `bootfile filename`  
**Режим ввода команд:** конфигурация пула DHCP

### ***no bootfile***

Команда удаляет имя загрузочного образа ПО.

**Формат:** `no bootfile`  
**Режим ввода команд:** конфигурация пула DHCP

### ***domain-name***

Эта команда задает доменное имя для DHCP-клиента. Строка доменного имени определяется в параметре `domain`.

**Значение по умолчанию:** отсутствует  
**Формат:** `domain-name domain`  
**Режим ввода команд:** конфигурация пула DHCP

### ***no domain-name***

Команда удаления доменного имени.

**Формат:** `no domain-name`  
**Режим ввода команд:** конфигурация пула DHCP

### ***domain-name enable***

Эта команда включает возможность использования доменного имени.

**Формат:** `domain-name enable [name name]`  
**Режим ввода команд:** глобальная конфигурация

### ***no domain-name enable***

Команда выключает возможность использования доменного имени.

**Формат:** `no domain-name enable`  
**Режим ввода команд:** глобальная конфигурация

### ***netbios-name-server***

Команда позволяет настроить NetBIOS серверы имен Windows Internet Naming Service (WINS), доступные DHCP-клиентам.

Один IP-адрес обязателен; в одной командной строке можно определить до восьми адресов. Серверы перечисляются в порядке предпочтения (*address1* — самый предпочтительный сервер, *address2* — следующий по предпочтению и т. д.).

**Значение по умолчанию:** отсутствует  
**Формат:** `netbios-name-server address [address2...address8]`  
**Режим ввода команд:** конфигурация пула DHCP

### ***no netbios-name-server***

Эта команда удаляет список серверов имен NetBIOS.

**Формат:** `no netbios-name-server`  
**Режим ввода команд:** конфигурация пула DHCP

### ***netbios-node-type***

Команда настраивает тип узла NetBIOS для DHCP-клиентов. Допустимые типы:

- *b-node* — широковещательная сеть
- *p-node* — одноранговая сеть
- *m-node* — смешанная сеть
- *h-node* — гибридная сеть (рекомендуемое значение)

**Значение по умолчанию:** отсутствует  
**Формат:** `netbios-node-type type`  
**Режим ввода команд:** конфигурация пула DHCP

### ***no netbios-node-type***

Команда удаляет тип узла NetBIOS.

**Формат:** `no netbios-node-type`  
**Режим ввода команд:** конфигурация пула DHCP

### ***next-server***

Эта команда настраивает следующий сервер в процессе загрузки клиента DHCP. Параметр *address* — это IP-адрес следующего сервера в процессе загрузки (обычно это TFTP-сервер).

**Значение по умолчанию:** `inbound interface helper addresses`  
**Формат:** `next-server address`  
**Режим ввода команд:** конфигурация пула DHCP

### *no next-server*

Команда удаляет список серверов начальной загрузки.

**Формат:** `no next-server`  
**Режим ввода команд:** конфигурация пула DHCP

### *option*

Команда `option` настраивает опции DHCP-сервера. Параметр `code` определяет код опции DHCP в диапазоне от 1 до 254. Параметр `ascii string` определяет строку символов NVT ASCII. Строки символов ASCII, в которых содержится пробел, необходимо заключать в кавычки. Параметр `hex string` определяет шестнадцатеричные данные. Шестнадцатеричные символьные строки содержат два шестнадцатеричных знака. Разделить байты между собой можно с помощью точки (например, `a3.4f.22.0c`), двоеточия (например, `a3:4f:22:0c`) или пробела (например, `a3 4f 22 0c`).

**Значение по умолчанию:** отсутствует  
**Формат:** `option code {ascii string | hex string1 [string2...string8] | ip address1[address2...address8]}`  
**Режим ввода команд:** конфигурация пула DHCP

### *no option*

Команда удаляет опции DHCP-сервера. Параметр `code` определяет код удаляемой опции DHCP.

**Формат:** `no option code`  
**Режим ввода команд:** конфигурация пула DHCP

### *ip dhcp excluded-address*

Данная команда определяет IP-адреса, которые DHCP-сервер не должен назначать DHCP-клиентам. Параметры `low-address` и `high-address` должны представлять собой действительные IP-адреса; каждый из которых составлен из четырех десятичных байтов в пределах от 0 до 255. IP-адрес 0.0.0.0 не является действительным.

**Значение по умолчанию:** отсутствует  
**Формат:** `ip dhcp excluded-address lowaddress [highaddress]`  
**Режим ввода команд:** глобальная конфигурация

### *no ip dhcp excluded-address*

Команда для удаления списка исключенных IP-адресов для DHCP-клиента. Параметры `low-address` и `high-address` должны представлять собой действительные IP-адреса; каждый из которых составлен из четырех десятичных байтов в пределах от 0 до 255. IP-адрес 0.0.0.0 не является действительным.

**Формат:** `no ip dhcp excluded-address lowaddress [highaddress]`  
**Режим ввода команд:** глобальная конфигурация

### ***ip dhcp ping packets***

Команда задает количество пакетов (в диапазоне от 2 до 10), которые DHCP-сервер отправляет на адрес пула в процессе выполнения операции ping. По умолчанию количество пакетов равно 2 (наименьшее допустимое количество пакетов для отправки). При установке числа пакетов, равного 0, команда выключается.

**Значение по умолчанию:** 2  
**Формат:** ip dhcp ping packets 0,2-10  
**Режим ввода команд:** глобальная конфигурация

### ***no ip dhcp ping packets***

Эта команда восстанавливает количество пакетов для операции ping до значения по умолчанию.

**Формат:** no ip dhcp ping packets  
**Режим ввода команд:** глобальная конфигурация

### ***service dhcp***

Команда включает DHCP-сервер.

**Значение по умолчанию:** выключено  
**Формат:** service dhcp  
**Режим ввода команд:** глобальная конфигурация

### ***no service dhcp***

Команда выключает DHCP-сервер.

**Формат:** no service dhcp  
**Режим ввода команд:** глобальная конфигурация

### ***ip dhcp bootp automatic***

Эта команда включает выделение адресов клиентам протокола BOOTP. Адреса берутся из автоматического пула адресов.

**Значение по умолчанию:** выключено  
**Формат:** ip dhcp bootp automatic  
**Режим ввода команд:** глобальная конфигурация

### ***no ip dhcp bootp automatic***

Команда выключает выделение адресов клиентам протокола BOOTP. Адреса берутся из автоматического пула адресов.

**Формат:** no ip dhcp bootp automatic

**Режим ввода команд:** глобальная конфигурация

### ***ip dhcp conflict logging***

Данная команда включает ведение журнала конфликтов на DHCP-сервере.

**Значение по умолчанию:** включено  
**Формат:** ip dhcp conflict logging  
**Режим ввода команд:** глобальная конфигурация

### ***no ip dhcp conflict logging***

Команда выключает ведение журнала конфликтов на DHCP-сервере.

**Формат:** no ip dhcp conflict logging  
**Режим ввода команд:** глобальная конфигурация

### ***clear ip dhcp binding***

Эта команда удаляет автоматическую привязку адресов из базы данных DHCP-сервера. Если указан параметр \*, удаляется привязка для всех адресов. address — действительный IP-адрес из четырех десятичных байтов в пределах от 0 до 255. IP-адрес 0.0.0.0 не является действительным.

**Формат:** clear ip dhcp binding {address | \*}  
**Режим ввода команд:** привилегированный

### ***clear ip dhcp server statistics***

Сброс счетчиков статистики DHCP-сервера.

**Формат:** clear ip dhcp server statistics  
**Режим ввода команд:** привилегированный

### ***clear ip dhcp conflict***

Команда для удаления конфликта адресов от базы данных DHCP-сервера. Сервер обнаруживает конфликты с помощью операции ping. Если в качестве параметра адреса используется символ звездочки (\*), DHCP-сервер удаляет все конфликты.

**Значение по умолчанию:** отсутствует  
**Формат:** clear ip dhcp conflict {address | \*}  
**Режим ввода команд:** привилегированный

### ***show ip dhcp binding***

Команда отображает привязки адресов для определенного IP-адреса на DHCP-сервере. Если IP-адрес не указан, отображается привязка для всех адресов.

**Формат:** `show ip dhcp binding [address]`

**Режимы ввода команд:** привилегированный  
пользовательский

<i>Термин</i>	<i>Значение</i>
<b>IP address</b>	IP-адрес клиента
<b>Hardware Address</b>	MAC-адрес или идентификатор клиента
<b>Lease expiration</b>	Срок аренды IP-адреса, присвоенного клиенту
<b>Type</b>	Способ, которым IP-адрес был назначен клиенту

### ***show ip dhcp global configuration***

Команда отображает привязки адресов для определенного IP-адреса на DHCP-сервере. Если IP-адрес не указан, отображается привязка для всех адресов.

**Формат:** `show ip dhcp global configuration`

**Режимы ввода команд:** привилегированный  
пользовательский

<i>Термин</i>	<i>Значение</i>
<b>Service DHCP</b>	Поле указывает состояние DHCP-протокола
<b>Number of Ping Packets</b>	Максимальное количество пакетов, которые будут отправлены в ходе операции ping, чтобы проверить что данный идентификатор IP-адреса еще не используется
<b>Conflict Logging</b>	Показывает, включено ли ведение журнала конфликтов.
<b>BootP Automatic</b>	Показывает, включен ли BootP для динамических пулов

### ***show ip dhcp pool configuration***

Команда отображает конфигурацию пула. При указании all отображается конфигурация для всех пулов.

**Формат:** `show ip dhcp pool configuration {name | all}`

**Режимы ввода команд:** привилегированный  
пользовательский

<i>Поле</i>	<i>Значение</i>
<b>Pool Name</b>	Имя настроенного пула
<b>Pool Type</b>	Тип пула
<b>Lease Time</b>	Срок аренды IP-адреса, присвоенного клиенту
<b>DNS Servers</b>	Список DNS-серверов, доступных DHCP-клиенту
<b>Default Routers</b>	Список маршрутизаторов по умолчанию, доступных DHCP-клиенту

Для динамического типа пулов отображается следующее дополнительное поле.

<i>Поле</i>	<i>Значение</i>
<b>Network</b>	Номер и маска сети для пула адресов DHCP

Для пулов ручной настройки отображаются следующие дополнительные поля

<i>Поле</i>	<i>Значение</i>
<b>Client Name</b>	Имя DHCP-клиента
<b>Client Identifier</b>	Уникальный идентификатор DHCP-клиента.
<b>Hardware Address</b>	Аппаратный адрес DHCP-клиента
<b>Hardware Address Type</b>	Протокол аппаратной платформы
<b>Host</b>	IP-адрес и маска для привязки к DHCP-клиенту вручную

### *show ip dhcp server statistics*

Команда отображает статистику DHCP-сервера.

**Формат:** `show ip dhcp server statistics`

**Режимы ввода команд:** привилегированный  
пользовательский

<i>Поле</i>	<i>Значение</i>
<b>Automatic Bindings</b>	Количество IP-адресов, которые были автоматически распределены по MAC-адресам узлов, найденных в базе данных DHCP.
<b>Expired Bindings</b>	Количество IP-адресов с истекшим сроком аренды.
<b>Malformed Bindings</b>	Количество неполных или поврежденных сообщений, полученных DHCP-сервером

Полученные сообщения

<i>Сообщение</i>	<i>Значение</i>
<b>DHCP DISCOVER</b>	Количество сообщений DHCPDISCOVER, полученных сервером
<b>DHCP REQUEST</b>	Количество сообщений DHCPREQUEST, полученных сервером
<b>DHCP DECLINE</b>	Количество сообщений DHCPDECLINE, полученных сервером
<b>DHCP RELEASE</b>	Количество сообщений DHCPRELEASE, полученных сервером
<b>DHCP INFORM</b>	Количество сообщений DHCPINFORM, полученных сервером
<b>DHCP OFFER</b>	Количество сообщений DHCPOFFER, отправленных сервером
<b>DHCP ACK</b>	Количество сообщений DHCPACK, отправленных сервером
<b>DHCP NACK</b>	Количество сообщений DHCPNACK, отправленных сервером

## ***show ip dhcp conflict***

Команда отображает конфликты адресов, попавшие в журнал DHCP-сервера. Если конкретный IP-адрес не указан, отображаются все конфликтующие адреса.

**Формат:** `show ip dhcp conflict [ip-address]`

**Режимы ввода команд:** привилегированный  
пользовательский

<i>Термин</i>	<i>Значение</i>
<b>IP address</b>	IP-адрес узла, зарегистрированный на DHCP-сервере
<b>Detection Method</b>	Способ, которым IP-адреса узлов были найдены на DHCP-сервере
<b>Detection time</b>	Время обнаружения конфликта

## **5.13 Настройка DNS-клиента**

Ниже приведены команды, которые используются в Domain Name System (DNS), интернет-сервисе каталогов. DNS определяет, как доменные имена превращаются в IP-адреса. Когда функция включена, DNS-клиент предоставляет сервис поиска имени узла другим компонентам ПОН.

### ***ip domain lookup***

Команда включения DNS-клиента.

**Значение по умолчанию:** включено  
**Формат:** `ip domain lookup`  
**Режим ввода команд:** глобальная конфигурация

### ***no ip domain lookup***

Команда выключения DNS-клиента.

**Формат:** `no ip domain lookup`  
**Режим ввода команд:** глобальная конфигурация

### ***ip domain name***

Эта команда задает доменное имя по умолчанию, которое ПО использует для дополнения неполных имен узлов (имен без доменного имени).. По умолчанию в системе нет настроенных доменных имен. Параметр name может включать не более 255 символов и не должен начинаться с точки. Это значение name используется, только когда список доменных имен по умолчанию, настраиваемый командой `ip domain list`, пуст.

**Значение по умолчанию:** отсутствует  
**Формат:** `ip domain name name`  
**Режим ввода команд:** глобальная конфигурация

#### ***Пример***



Команда CLI `ip domain name yahoo.com` настроит `yahoo.com` как имя домена по умолчанию. Для неполного имени узла `xxx` будет выполняться запрос DNS на поиск IP-адреса, соответствующего `xxx.yahoo.com`.

### *no ip domain name*

Удаляет доменное имя по умолчанию, настроенное с помощью команды `ip domain name`.

**Формат:** `no ip domain name`  
**Режим ввода команд:** глобальная конфигурация

### *ip domain list*

Эта команда задает список доменных имен по умолчанию, используемых для дополнения неполных имен. По умолчанию список пуст. Каждое имя может включать не более 256 символов и не должно начинаться с точки. Доменное имя по умолчанию, заданное командой `ip domain name`, используется только тогда, когда список доменных имен по умолчанию пуст. Максимальное количество имен в списке — 32.

**Значение по умолчанию:** отсутствует  
**Формат:** `ip domain list name`  
**Режим ввода команд:** глобальная конфигурация

### *no ip domain list*

Команда удаляет имя из списка.

**Формат:** `no ip domain list name`  
**Режим ввода команд:** глобальная конфигурация

### *ip name server*

Команда позволяет настроить доступные серверы имен. Настроить можно до 8 серверов, используя одну команду или несколько последовательных команд. Параметр `server-address` — действительный адрес сервера (IPv4 или IPv6). Приоритет серверов определяется последовательностью ввода.

**Формат:** `ip name-server server-address1 [server-address2...server-address8]`  
**Режим ввода команд:** глобальная конфигурация

### *no ip name server*

Команда для удаления сервера имен.

**Формат:** `no ip name-server [server-address1...server-address8]`  
**Режим ввода команд:** глобальная конфигурация

## *ip name source-interface*

Команда позволяет указать физический или логический интерфейс, адрес которого будет использоваться в качестве IP-адреса источника для DNS. Настроенный адрес источника используется для всех DNS-соединений между сервером и клиентом DNS. Выбранный IP-адрес источника используется для заполнения заголовка IP-пакетов протокола управления. Это позволяет устройствам безопасности (брандмауэрам) идентифицировать исходные пакеты, идущие от определенного коммутатора. Если интерфейс не задан, в качестве адреса источника используется основной IP-адрес иницилирующего (исходящего) интерфейса. При сбое настроенного интерфейса DNS-клиент возвращается к алгоритму действий по умолчанию.

**Формат:** `ip name source-interface {unit/slot/port | loopback loopback-id | tunnel tunnel-id | vlan vlan-id}`

**Режим ввода команд:** глобальная конфигурация

## *no ip name source-interface*

Команда используется, чтобы сбросить адрес источника DNS к настройкам по умолчанию.

**Формат:** `no ip name source-interface`

**Режим ввода команд:** глобальная конфигурация

## *ip host*

Команда, которая определяет статическую привязку имени узла к адресу в кэше узлов. Параметр `name` является именем хоста, `ip address` — это IP-адрес узла. Имя узла может включать 1–255 буквенно-цифровых символов, точки, дефисы, подчеркивания и одиночные пробелы. Имена узлов, в которые входит один или несколько пробелов, должны быть заключены в кавычки, например “lab-pc 45”.

**Значение по умолчанию:** отсутствует

**Формат:** `ip host name ipaddress`

**Режим ввода команд:** глобальная конфигурация

## *no ip host*

Эта команда удаляет привязку имени узла к адресу.

**Формат:** `no ip host name`

**Режим ввода команд:** глобальная конфигурация

## *ipv6 host*

Команда, которая определяет статическую привязку имени узла к IPv6-адресу в кэше узлов. Параметр `name` является именем хоста, `v6 address` — это IPv6-адрес узла. Имя узла может включать 1–255 буквенно-цифровых символов, точки, дефисы и пробелы. Имена узлов, в которые входит один или несколько пробелов, должны быть заключены в кавычки, например “lab-pc 45”.

**Значение по умолчанию:** отсутствует

**Формат:** `ipv6 host name v6 address`

**Режим ввода команд:** глобальная конфигурация

*no ipv6 host*

Команда позволяет удалить статическую привязку имени узла к IPv6-адресу в кэше узлов.

**Формат:** `no ipv6 host name`

**Режим ввода команд:** глобальная конфигурация

### ***ip domain retry***

Используйте эту команду, чтобы определить количество попыток отправки запросов DNS. Параметр `number` задает количество попыток отправить запрос DNS к DNS-серверу. Диапазон значений: от 0 до 100.

**Значение по умолчанию:** 2

**Формат:** `ip domain retry number`

**Режим ввода команд:** глобальная конфигурация

*no ip domain retry*

Команда возврата к настройкам по умолчанию.

**Формат:** `no ip domain retry number`

**Режим ввода команд:** глобальная конфигурация

### ***ip domain timeout***

Эта команда задает время ожидания ответа на запрос DNS. Параметр `seconds` определяет время (в секундах) ожидания ответа на запрос DNS. Значение параметра: от 0 до 3600.

**Значение по умолчанию:** 3

**Формат:** `ip domain timeout seconds`

**Режим ввода команд:** глобальная конфигурация

*no ip domain timeout*

Команда возвращает время ожидания к настройке по умолчанию.

**Формат:** `no ip domain timeout seconds`

**Режим ввода команд:** глобальная конфигурация

### ***clear host***

Команда для удаления записей из кэша привязки имен к адресам. Эта команда очищает записи программно обслуживаемого кэша DNS. Удаление касается адресов IPv4 и IPv6.

**Формат:** `clear host {name | all}`

**Режим ввода команд:** привилегированный

<i>Поле</i>	<i>Описание</i>
<b>Name</b>	Удаление записи определенного узла. Параметр name может иметь значение от 1 до 255 символов
<b>all</b>	Удаление всех записей

### ***show hosts***

Команда отображает доменное имя по умолчанию, список узлов сервера имен, а также статический и кэшируемый список имен узлов и адресов. Параметр name может иметь значение от 1 до 255 символов. Эта команда отображает записи IPv4 и IPv6.

**Формат:** `show hosts [name]`

**Режим ввода команд:** привилегированный, пользовательский

<i>Поле</i>	<i>Описание</i>
<b>Host Name</b>	Доменное имя узла.
<b>Default Domain</b>	Доменное имя по умолчанию
<b>Default Domain List</b>	Список доменов по умолчанию
<b>Domain Name Lookup</b>	Состояние DNS-клиента (включен/выключен).
<b>Number of Retries</b>	Количество повторов при отправке DNS
<b>Retry Timeout Period</b>	Время ожидания ответа на запрос DNS
<b>Name Servers</b>	Настроенные серверы имен
<b>DNS Client Source Interface</b>	Показывает настроенный интерфейс, IP-адрес которого используется в качестве адреса источника для DNS-клиента. IP-адрес выбранного интерфейса используется в качестве IP-адреса источника для всех соединений с сервером

### ***show ip name source-interface***

Эта команда отображает подробные настройки адреса источника, используемого DNS-клиентом. IP-адрес выбранного интерфейса используется в качестве IP-адреса источника для всех соединений с сервером.

**Формат:** `show ip name source-interface`

**Режим ввода команд:** привилегированный

## **5.14 Управление конфликтами IP-адресов**

В этой части приведены команды, которые помогают выявлять и устранять конфликты IP-адресов.

### ***ip address-conflict-detect run***

Команда инициирует на коммутаторе запуск операции по обнаружению конфликтов активных адресов путем отправки Gratuitous ARP-пакетов на IPv4-адреса коммутатора.

**Формат:** `ip address-conflict-detect run`

**Режим ввода команд:** глобальная конфигурация  
Virtual Router Config

### ***show ip address-conflict***

Эта команда отображает информацию о состоянии последнего обнаруженного конфликта адресов.

**Формат:** `show ip address-conflict`

**Режим ввода команд:** привилегированный

<i>Термин</i>	<i>Значение</i>
<b>Address Conflict Detection Status</b>	Показывает, были ли обнаружены конфликты адресов по какому-либо IP-адресу
<b>Last Conflicting IP Address</b>	Последний IP-адрес, который был обнаружен как конфликтующий в любом из интерфейсов
<b>Last Conflicting MAC Address</b>	MAC-адрес последнего конфликтующего узла, который был обнаружен как конфликтующий в любом из интерфейсов
<b>Time Since Conflict Detected</b>	Время в днях, часах, минутах и секундах с момента обнаружения последнего конфликта адресов

### ***clear ip address-conflict-detect***

Эта команда очищает информацию о статусах обнаруженных конфликтов адресов для указанного виртуального маршрутизатора. Если маршрутизатор не указан, команда выполняется для маршрутизатора по умолчанию.

**Формат:** `clear ip address-conflict-detect [vrf vrf-name]`

**Режим ввода команд:** привилегированный

## **5.15 Команды отслеживания служебных пакетов**

Эти команды упрощают для сетевых администраторов диагностику возможных проблем в работе ПО.



**Вывод команд группы debug может занимать много времени и отрицательно сказываться на производительности системы.**

## capture start

Команда используется, чтобы вручную запустить захват пакетов CPU для отслеживания.

Захват пакетов может выполняться в трех режимах:

- захват в файл;
- удаленный захват;
- захват в виде строк.

Команда не является конфигурационной и не сохраняется при перезагрузке.

**Формат:** `capture start [{all | receive | transmit}]`

**Режим ввода команд:** привилегированный

Параметр	Описание
all	Захват всего трафика
receive	Захват только принятого трафика
transmit	Захват только переданного трафика

## capture stop

Команда позволяет вручную остановить захват пакетов CPU для отслеживания.

**Формат:** `capture stop`

**Режим ввода команд:** привилегированный

## capture file | remote | line

Команда для настройки опций захвата. Является конфигурационной и сохраняется при перезагрузке.

**Формат:** `capture {file|remote|line|usb}`

**Режим ввода команд:** глобальная конфигурация

Параметр	Описание
file	<p>В режиме файла захвата в файл захваченные пакеты сохраняются в файле в энергонезависимой памяти. По умолчанию максимальный размер такого файла составляет 524288 байт. Коммутатор может передать файл на сервер по протоколам TFTP, SFTP, SCP через CLI или SNMP.</p> <p>Файл сохраняется в формате pcap (с именем sruPktCapture.pcap) и может быть просмотрен с помощью инструментов сетевого анализа (Wireshark или Ethereal). Запуск захвата в файл автоматически останавливает любые удаленные сессии захвата и захвата в виде строк. После того, как захват пакетов активирован, он продолжается до тех пор, пока файл захвата не достигнет максимального размера или</p>

	пока захват не будет остановлен вручную (команда CLI capture stop).
<b>remote</b>	<p>В режиме удаленного захвата захваченные пакеты в режиме реального времени перенаправляются на внешний PC, где работает инструмент Wireshark для Microsoft Windows. Сервер захвата пакетов работает на коммутаторе и отправляет захваченные пакеты через TCP-соединение в инструмент Wireshark.</p> <p>Режим удаленного захвата можно включить или выключить через CLI. Чтобы просмотреть полученный файл, требуется PC с ОС Windows и установленным инструментом Wireshark. При использовании режима удаленного захвата коммутатор не сохраняет захваченные данные в файловой системе.</p> <p>Можно настроить номер порта IP для подключения Wireshark к коммутатору. Номер порта по умолчанию — 2002. Если между PC с Wireshark и коммутатором установлен брандмауэр, необходимо открыть используемые порты для передачи данных. Настройки брандмауэра должны позволять инструменту Wireshark инициировать TCP-соединение с коммутатором.</p> <p>Если клиент успешно соединяется с коммутатором, пакеты CPU отправляются на PC-клиент, а Wireshark получает пакеты и может отображать их. Такое взаимодействие продолжается до тех пор, пока сессия не остановлена одной из сторон. Запуск сессии удаленного захвата автоматически останавливает работу захвата в файл и захвата в виде строк</p>
<b>line</b>	<p>В режиме захвата в виде строк захваченные пакеты сохраняются в памяти коммутатора и могут быть отображены средствами CLI. Запуск захвата в виде строк автоматически завершает любую удаленную сессию захвата и работу захвата в файл. В режиме захвата в виде строк можно принять и отобразить до 128 пакетов максимальным размером 128 байт.</p>
<b>usb</b>	<p>В режиме файла захвата на USB, захваченные пакеты сохраняются в файле на USB носителе.</p>

### **capture remote port**

Команда для настройки опций удалённого захвата. Является конфигурационной и сохраняется при перезагрузке. Параметр `id` представляет собой номер TCP-порта (1024–49151).

**Формат:** `capture remote port id`

**Режим ввода команд:** глобальная конфигурация

### **capture file size**

Команда для настройки опций захвата в файл. Является конфигурационной и сохраняется при перезагрузке. Параметр `max-file-size` задает максимальный размер, которого может достигнуть файл .pcap (2–512 КБ).

**Формат:** capture file size *max file size*

**Режим ввода команд:** глобальная конфигурация

### ***capture line wrap***

Эта команда позволяет перезапись захваченных пакетов в режиме строк, когда количество пакетов достигает максимума.

**Формат:** capture line wrap

**Режим ввода команд:** глобальная конфигурация

### ***no capture line wrap***

Команда выключает перезапись захваченных пакетов и включает остановку захвата при достижении предельно допустимого количества пакетов.

**Формат:** no capture line wrap

**Режим ввода команд:** глобальная конфигурация

### ***capture usb***

Команда для настройки опций захвата на USB носитель. Является конфигурационной и сохраняется при перезагрузке. Параметр <file-name> задает имя файла на USB носителе, в который записываются захваченные пакеты.

**Формат:** capture usb <file-name>

**Режим ввода команд:** глобальная конфигурация

### ***show capture packets***

Команда отображения пакетов, полученных и сохраненных в RAM. Получить и сохранить в RAM можно пакеты, полученные или переданные CPU. Максимальное количество пакетов для сохранения за одну сессию — 128. Максимальный размер сохраняемого в RAM пакета — 128 байт. Если объем пакета более 128 байт, сохраняются только первые 128 байт; остальные данные пропускаются и не отображаются в CLI.

Захват пакетов останавливается автоматически, когда 128 пакетов были получены, но еще не выведены на экран. Захваченные пакеты после перезагрузки не сохраняются.

**Формат:** show capture packets

**Режим ввода команд:** привилегированный

### ***cpu-traffic direction interface***

Команда для привязки фильтров CPU к интерфейсу или списку интерфейсов. Использовать можно физические или логические LAG-интерфейсы. Счетчики статистики обновляются только для настроенных интерфейсов. Результаты трассировки могут также быть получены только для настроенных интерфейсов.





**Необходимо учитывать смещение заголовков тега VLAN, поскольку получаемые пакеты CPU всегда содержат теги.**

**Значение по умолчанию:** отсутствует  
**Формат:** `cpu-traffic direction {tx|rx|both} interface interface-range`  
**Режим ввода команд:** глобальная конфигурация

*no cpu-traffic direction interface*

Используйте эту команду, чтобы удалить все интерфейсы из фильтров CPU.

**Формат:** `no cpu-traffic direction {tx|rx|both} interface interface-range`  
**Режим ввода команд:** глобальная конфигурация

### ***cpu-traffic direction match cust-filter***

Команда для настройки пользовательского фильтра. Статистика и/или результаты трассировки для настроенных фильтров выводятся для пакетов, содержащих настроенные данными по определенному смещению. Если иная маска не определена, маска по умолчанию — 0xFF. В качестве условий соответствия можно использовать три различных смещения. При каждой настройке пользовательского фильтра коммутатор выполняет перезапись предыдущей конфигурации.



**Необходимо учитывать смещение заголовков тега VLAN, поскольку получаемые пакеты CPU всегда содержат теги.**

**Значение по умолчанию:** отсутствует  
**Формат:** `cpu-traffic direction {tx|rx|both} match cust-filter offset1 data1 [mask1 mask1] offset2 data2 [mask2 mask2] offset3 data3 [mask3 mask3]`  
**Режим ввода команд:** глобальная конфигурация

*no cpu-traffic direction match cust-filter*

Команда для удаления настроенного пользовательского фильтра.

**Формат:** `no cpu-traffic direction {tx|rx|both} match cust-filter offset1 data1 [mask1 mask1] offset2 data2 [mask2 mask2] offset3 data3 [mask3 mask3]`  
**Режим ввода команд:** глобальная конфигурация

### ***cpu-traffic direction match srcip***

Команда для настройки фильтра на основе IP-адреса источника. Статистика и/или результаты трассировки для настроенных фильтров выводятся для пакетов с соответствующим IP-адресом/маской источника.

**Значение по умолчанию:** отсутствует

**Формат:** `cpu-traffic direction {tx|rx|both} match srcip ipaddress [mask mask]`

**Режим ввода команд:** глобальная конфигурация

### ***no cpu-traffic direction match srcip***

Эта команда выключает фильтр на основе IP-адреса источника.

**Формат:** `no cpu-traffic direction {tx|rx|both} match srcip ipaddress [mask mask]`

**Режим ввода команд:** глобальная конфигурация

### ***cpu-traffic direction match dstip***

Команда для настройки фильтра на основе IP-адреса адресата. Статистика и/или результаты трассировки для настроенных фильтров выводятся для пакетов с соответствующим IP-адресом/маской адресата.

**Значение по умолчанию:** отсутствует

**Формат:** `cpu-traffic direction {tx|rx|both} match dstip ipaddress [mask mask]`

**Режим ввода команд:** глобальная конфигурация

### ***no cpu-traffic direction match dstip***

Эта команда выключает фильтр на основе IP-адреса адресата.

**Формат:** `no cpu-traffic direction {tx|rx|both} match dstip ipaddress [mask mask]`

**Режим ввода команд:** глобальная конфигурация

### ***cpu-traffic direction match tcp***

Команда для настройки фильтра на основе TCP-порта источника или адресата. Статистика и/или результаты трассировки для настроенных фильтров выводятся для пакетов с соответствующим TCP-портом источника или адресата.

**Значение по умолчанию:** отсутствует

**Формат:** `cpu-traffic direction {tx|rx|both} match {srctcp|dsttcp} port [mask mask]`

**Режим ввода команд:** глобальная конфигурация

### *no cpu-traffic direction match tcp*

Команда для удаления фильтра на основе TCP-порта источника или адресата.

**Формат:** `no cpu-traffic direction {tx|rx|both} match {srctcp|dsttcp} port [mask mask]`

**Режим ввода команд:** глобальная конфигурация

### *cpu-traffic direction match udp*

Команда для настройки фильтра на основе UDP-порта источника или адресата. Статистика и/или результаты трассировки для настроенных фильтров выводятся для пакетов с соответствующим UDP-портом источника или адресата.

**Значение по умолчанию:** отсутствует

**Формат:** `cpu-traffic direction {tx|rx|both} match {srcudp|dstudp} port [mask mask]`

**Режим ввода команд:** глобальная конфигурация

### *no cpu-traffic direction match udp*

Команда для удаления фильтра на основе UDP-порта источника или адресата.

**Формат:** `no cpu-traffic direction {tx|rx|both} match {srcudp|dstudp} port [mask mask]`

**Режим ввода команд:** глобальная конфигурация

### *cpu-traffic mode*

Команда для включения режима фильтрации трафика CPU. При включении пакеты RX/TX проверяются на соответствие установленным фильтрам.

**Значение по умолчанию:** выключено

**Формат:** `cpu-traffic mode`

**Режим ввода команд:** глобальная конфигурация

### *no cpu-traffic mode*

Выключение режима фильтрации трафика CPU.

**Формат:** `no cpu-traffic mode`

**Режим ввода команд:** глобальная конфигурация

### *cpu-traffic trace*

Используйте эту команду, чтобы настроить трассировку пакетов CPU. Пакет может быть получен различными компонентами. Если данная функция активирована и настроена трассировка, пакеты отслеживаются по заданному фильтру. Если включен режим `dump-pkt`, наряду со статистикой трассировки отображаются первые 64 байт пакета.

**Значение по умолчанию:** выключено

**Формат:** `cpu-traffic trace {dump-pkt}`

**Режим ввода команд:** глобальная конфигурация

### *no cpu-traffic trace*

Команда выключает трассировку пакетов CPU и режим dump-pkt (если настроен).

**Формат:** `no cpu-traffic trace {dump-pkt}`

**Режим ввода команд:** глобальная конфигурация

### *show cpu-traffic*

Команда отображает текущие параметры конфигурации.

**Значение по умолчанию:** отсутствует

**Формат:** `show cpu-traffic`

**Режим ввода команд:** привилегированный

### *show cpu-traffic interface*

Команда вывода статистики по интерфейсам для настроенных фильтров. Статистику можно отобразить для определенного фильтра (например, stp, udld, arp и др.). Если фильтр не указан, отображается статистика для всех настроенных фильтров.

Аналогично можно использовать IP-адрес источника/адресата, TCP, UDP или MAC-адрес вместе с пользовательским фильтром в качестве опции команды для вывода статистики.

**Значение по умолчанию:** отсутствует

**Формат:** `show cpu-traffic interface {all | unit/slot/port | cpu }  
filter`

**Режим ввода команд:** привилегированный

### *show cpu-traffic summary*

Команда вывода сводной статистики для настроенных фильтров по всем интерфейсам.

**Значение по умолчанию:** отсутствует

**Формат:** `show cpu-traffic summary`

**Режим ввода команд:** привилегированный

### *show cpu-traffic trace*

Команда для отображения результатов трассировки. Результаты трассировки могут быть выведены как для всех доступных пакетов, так и для определенного фильтра (например, STP, UDLD, ARP и т. д.). Аналогично можно использовать IP-адрес источника/адресата или MAC-адрес вместе с пользовательским фильтром в качестве опции команды для частичного вывода истории трассировки. Если функция включена, информация дампа пакетов отображается вместе со статистикой трассировки пакетов. По умолчанию размер буфера дампа настроен на сохранение первых 64 байт пакета.

**Значение по умолчанию:** отсутствует

**Формат:** `show cpu-traffic trace filter`

**Режим ввода команд:** привилегированный

### ***clear cpu-traffic***

Данная команда удаляет статистику трафика CPU и информацию трассировки для всех интерфейсов.

**Значение по умолчанию:** отсутствует

**Формат:** `clear cpu-traffic {counters | traces}`

**Режим ввода команд:** глобальная конфигурация

### ***debug aaa accounting***

Команда для отладки конфигурации и функционала диспетчера учёта пользователей.

**Формат:** `debug aaa accounting`

**Режим ввода команд:** привилегированный

### ***no debug aaa accounting***

Выключение отладки конфигурации и функционала диспетчера учёта пользователей.

**Формат:** `no debug aaa accounting`

**Режим ввода команд:** привилегированный

### ***debug arp***

Команда включает сообщения отладки протокола ARP. Дополнительно можно определить виртуальный маршрутизатор, в котором выполняется команда.

**Значение по умолчанию:** выключено

**Формат:** `debug arp [vrf vrf-name]`

**Режим ввода команд:** привилегированный

### ***no debug arp***

Выключает сообщения отладки протокола ARP.

**Формат:** `no debug arp`

**Режим ввода команд:** привилегированный

### ***debug authentication***

Команда отображает сообщения отладки аутентификации для отдельного события или для всех событий интерфейса

**Значение по умолчанию:** отсутствует

**Формат:** `debug authentication packet {all | event} interface`

**Режим ввода команд:** привилегированный

### ***debug auto-voip***

Команда включает сообщения отладки функции Auto VOIP. Используйте дополнительные параметры, чтобы отслеживать пакеты H323, SCCP или SIP соответственно.

**Значение по умолчанию:** выключено  
**Формат:** debug auto-voip [H323|SCCP|SIP|oui]  
**Режим ввода команд:** привилегированный

### ***no debug auto-voip***

Эта команда выключает сообщения отладки функции Auto VOIP.

**Формат:** no debug auto-voip  
**Режим ввода команд:** привилегированный

### ***debug clear***

Эта команда выключает все ранее включенные сообщения отладки.

**Значение по умолчанию:** выключено  
**Формат:** debug clear  
**Режим ввода команд:** привилегированный

### ***debug aaa authorization***

Эта команда включает трассировку AAA-функционала диспетчера пользователей. Используется для отладки настроек и функционала авторизации диспетчера пользователей. Каждый из параметров используется для настройки флагов отладки авторизации.

**Формат:** debug aaa authorization commands|exec  
**Режим ввода команд:** привилегированный

### ***no debug aaa authorization***

Команда выключает отладку функционала авторизации диспетчера пользователей.

**Формат:** no debug aaa authorization  
**Режим ввода команд:** привилегированный

<b><i>Параметр</i></b>	<b><i>Описание</i></b>
<b>kernel</b>	Просмотр журнала сбоев для ядра
<b>crashlog-number</b>	Задаёт номер файла для просмотра. Система сохраняет до четырёх копий файла, допустимый диапазон 1–4
<b>upload url</b>	Чтобы выгрузить журнал сбоев (или дамп сбоя) на сервер TFTP, используйте ключевое слово upload и укажите необходимую информацию TFTP-сервера.
<b>proc</b>	Просмотр журнала сбоев в работе приложения.

<b>verbose</b>	Включение подробного журнала
<b>deleteall</b>	Удаление всех файлов журналов сбоев в системе
<b>data</b>	Устройство записи данных журнала
<b>crashdump-number</b>	Номер дампа журнала для просмотра. Диапазон допустимых значений: 0–2
<b>download url</b>	Чтобы загрузить дамп сбоя на коммутатор, используйте ключевое слово <code>download</code> и укажите необходимую информацию TFTP-сервера.
<b>component-id</b>	Идентификатор компонента, который стал причиной сбоя.
<b>item-number</b>	Номер позиции
<b>additional-parameter</b>	Дополнительные параметры для включения

### ***debug console***

Эта команда включает отображение трассировок команды `debug` в текущей сессии, в рамках которой она выполняется. Вывод трассировок команды `debug` появится для всех сессий, для которых включена эта команда. Конфигурация этой команды сохраняется на время сессии. Команда не сохраняется после перезагрузки.

**Значение по умолчанию:** выключено

**Формат:** `debug console`

**Режим ввода команд:** привилегированный

### ***no debug console***

Эта команда выключает отображение вывода трассировок команды `debug` в сессии входа, в рамках которой она выполняется.

**Формат:** `no debug console`

**Режим ввода команд:** привилегированный

### ***debug crashlog***

Используйте эту команду, чтобы просмотреть информацию в файле журнала сбоев, который формирует система, когда происходит непредвиденная перезагрузка. Файл журнала сбоев содержит следующую информацию.

- Информацию о стеке вызовов в простой и подробной форме.
- Состояние журнала
- Журнал в буфере
- Журнал событий
- Сохраняемый журнал
- Системную информация (вывод `sysapiMbufDump`)
- Отладочную информацию об очередях сообщений
- Отладочную информацию о памяти
- Отладочный статус памяти
- Информацию об ОС (вывод `osapiShowTasks`)

- Информацию из /proc (meminfo, cpuinfo, interrupts, version и net/sockstat)

**Значение по умолчанию:** выключено

**Формат:** debug crashlog {[kernel] crashLog-number [upload url] | proc | verbose | deleteall}

**Режим ввода команд:** привилегированный

### ***debug dcbx packet***

Эта команда включает отладочную трассировку для переданных или полученных пакетов DCBX.

**Значение по умолчанию:** выключено

**Формат:** debug dcbx packet {receive | transmit}

**Режим ввода команд:** привилегированный

### ***debug debug-config***

Команда выгрузки/загрузки файла debug-config.ini. Файл debug-config.ini выполняет команды CLI (включая команды devshell и drivshell) при определенных событиях. Данный файл создается вручную и загружается на коммутатор.

**Значение по умолчанию:** выключено

**Формат:** debug debug-config {download <url> | upload <url>}

**Режим ввода команд:** привилегированный

### ***debug dhcp packet***

Команда выводит отладочную информацию о действиях DHCPv4-клиента и трассировки пакетов DHCPv4, поступающих на локальный DHCPv4-клиент и передаваемых с него.

**Значение по умолчанию:** выключено

**Формат:** debug dhcp packet [transmit | receive]

**Режим ввода команд:** привилегированный

### ***no debug dhcp***

Выключает вывод отладочной информации о действиях DHCPv4-клиента.

**Формат:** no debug dhcp packet [transmit | receive]

**Режим ввода команд:** привилегированный

### ***debug dot1ag***

Команда включает отладку сообщений, отправленных между MP и MEP.

**Значение по умолчанию:** выключено

**Формат:** debug dot1ag {all | ccm | events | lbm | lbr | ltm | ltr | pdu}



Режим ввода команд: привилегированный

<i>Параметр</i>	<i>Описание</i>
<b>all</b>	Отладка всех типов сообщений dot1ag
<b>ccm</b>	Включает флаги отладки для получения информации о сообщениях проверки целостности (Continuity Check Message, CCM). Многоадресные PDU CFM периодически передаются MEP, чтобы гарантировать непрерывность по MA, которому принадлежат передающий MEP. В ответ на сообщения CCM MP не отправляет ответ.
<b>ltm</b>	Включает флаги отладки для получения информации о сообщениях Linktrace (LTM). PDU CFM, инициируемых MEP для определения пути к целевому MAC-адресу, передающихся от MIP до MIP, до точки, в которой LTM достигает своей цели или не может передаваться далее. Каждый MP вдоль пути к цели генерирует LTR.
<b>ltr</b>	Включает флаги отладки для получения информации об ответах Linktrace. Одноадресные PDU CFM передаются от MP к MEP в ответ на получение LTM от MEP.
<b>lbr</b>	Включает флаги отладки для получения информации о loorback-сообщениях. Одноадресные PDU CFM передаются MEP, адресованные определенному MP в ожидании получения loorback-ответа
<b>lbr</b>	Включает флаги отладки для получения информации о loorback-ответах. Одноадресный PDU CFM передаются от MP к MEP, в ответ на loorback-сообщение, полученное от MEP.
<b>pdu</b>	Включает флаги отладки для получения информации о всех PDU CFM.

### ***debug dot1x packet***

Включение отладочной трассировки пакетов dot1x.

**Значение по умолчанию:** выключено

**Формат:** debug dot1x

**Режим ввода команд:** привилегированный

### ***no debug dot1x packet***

Выключение отладочной трассировки пакетов dot1x.

**Формат:** no debug dot1x

**Режим ввода команд:** привилегированный

### ***debug fip-snooping packet***

Используйте команду `debug fip-snooping packet` в привилегированном режиме, чтобы включить отладочную трассировку FIP-пакетов в процессе передаче или получения с различными настройками фильтра.

**Значение по умолчанию:** выключено

**Формат:** `debug fip-snooping packet [{transmit | receive | filter {dst-mac mac-addr | fip-proto-code 1-15 | src-intf unit/slot/port | src-mac mac-addr | vlan 1-4093}]`

**Режим ввода команд:** пользовательский  
привилегированный

Параметр	Описание
<b>dst-mac</b>	Если задана опция фильтра <code>dst-mac</code> , вывод трассировки фильтруется на предмет соответствия указанному целевому MAC-адресу.
<b>fip-proto-code</b>	Если задана опция фильтра <code>fip-proto-code</code> , вывод трассировки фильтруется на предмет соответствия поддерживаемым типам
<b>src-intf</b>	Если задана опция фильтра <code>src-intf</code> , вывод трассировки фильтруется на предмет соответствия входящему интерфейсу источника
<b>src-mac</b>	Если задана опция фильтра <code>src-mac</code> , вывод трассировки фильтруется на предмет соответствия указанному MAC-адресу источника
<b>vlan</b>	Если задана опция фильтра <code>vlan</code> , вывод трассировки фильтруется на предмет соответствия указанному идентификатору VLAN

### *no debug fip-snooping packet*

Данная команда используется в привилегированном режиме, чтобы выключить отладочную трассировку FIP-пакетов в процессе передачи или получения с различными настройками фильтра.

**Формат:** `no debug fip-snooping packet [{transmit | receive | filter {dst-mac mac-addr | fip- proto-code 1-15 | src-intf unit/slot/port | src-mac mac-addr | vlan 1-4093}]`

**Режим ввода команд:** пользовательский  
привилегированный

### *debug igmpsnooping packet*

Эта команда включает отслеживание пакетов IGMP Snooping, полученных и переданных коммутатором.

**Значение по умолчанию:** выключено

**Формат:** `debug igmpsnooping packet`

**Режим ввода команд:** привилегированный

### *no debug igmpsnooping packet*

Выключение отслеживания пакетов IGMP Snooping.

**Формат:** `no debug igmpsnooping packet`

**Режим ввода команд:** привилегированный

### ***debug igmpsnooping packet transmit***

Эта команда позволяет отслеживать пакеты IGMP Snooping, переданные коммутатором. Чтобы отслеживать пакеты для определенного интерфейса, функция Snooping должна быть включена на устройстве и интерфейсе.

**Значение по умолчанию:** выключено  
**Формат:** debug igmpsnooping packet transmit  
**Режим ввода команд:** привилегированный

<i>Параметр</i>	<i>Значение</i>
<b>TX</b>	Пакет, отправленный устройством.
<b>Intf</b>	Интерфейс, из которого пакет вышел. Используемый формат — unit/slot/port (внутренний номер интерфейса). Для интерфейсов устройств вне стека юнит всегда отображается как 1.
<b>Src_Mac</b>	MAC-адрес источника пакета
<b>Dest_Mac</b>	Групповой MAC-адрес назначения пакета
<b>Src_IP</b>	IP-адрес источника в IP-заголовке пакета.
<b>Dest_IP</b>	Групповой IP-адрес назначения пакета.
<b>Type</b>	Тип IGMP-пакета. Тип может иметь одно из следующих значений: <ul style="list-style-type: none"> <li>• Membership Query – IGMP Membership Query</li> <li>• V1_Membership_Report – IGMP Membership Report, версия 1</li> <li>• V2_Membership_Report – IGMP Membership Report, версия 2</li> <li>• V3_Membership_Report – IGMP Membership Report, версия 3</li> <li>• V2_Leave_Group – IGMP Leave Group, версия 2</li> </ul>
<b>Group</b>	Групповой адрес многоадресной передачи в заголовке IGMP

### ***no debug igmpsnooping transmit***

Эта команда выключает трассировку переданных пакетов IGMP Snooping.

**Формат:** no debug igmpsnooping transmit  
**Режим ввода команд:** привилегированный

### ***debug igmpsnooping packet receive***

Команда позволяет отслеживать пакеты IGMP Snooping, полученные коммутатором. Чтобы отслеживать пакеты для определенного интерфейса, функция Snooping должна быть включена на устройстве и интерфейсе.

**Значение по умолчанию:** выключено  
**Формат:** debug igmpsnooping packet receive  
**Режим ввода команд:** привилегированный

Параметры, отображаемые в сообщении трассировки

<i>Параметр</i>	<i>Значение</i>
-----------------	-----------------

<b>TX</b>	Пакет, отправленный устройством.
<b>Intf</b>	Интерфейс, из которого пакет вышел. Используемый формат — unit/slot/port (внутренний номер интерфейса). Для интерфейсов устройств вне стека юнит всегда отображается как 1.
<b>Src_Mac</b>	MAC-адрес источника пакета
<b>Dest_Mac</b>	Групповой MAC-адрес назначения пакета
<b>Src_IP</b>	IP-адрес источника в IP-заголовке пакета.
<b>Dest_IP</b>	Групповой IP-адрес назначения пакета.
<b>Type</b>	Тип IGMP-пакета. Тип может иметь одно из следующих значений: <ul style="list-style-type: none"> <li>• Membership Query – IGMP Membership Query</li> <li>• V1_Membership_Report – IGMP Membership Report, версия 1</li> <li>• V2_Membership_Report – IGMP Membership Report, версия 2</li> <li>• V3_Membership_Report – IGMP Membership Report, версия 3</li> <li>• V2_Leave_Group – IGMP Leave Group, версия 2</li> </ul>
<b>Group</b>	Групповой адрес многоадресной передачи в заголовке IGMP

### *no debug igmpsnooping receive*

Эта команда выключает трассировку полученных пакетов IGMP Snooping.

**Формат:** no debug igmpsnooping receive

**Режим ввода команд:** привилегированный

### *debug ip acl*

Команда включения отладки пакетов IP-протокола, соответствующих критериям ACL.

**Значение по умолчанию:** выключено

**Формат:** debug ip acl *acl Number*

**Режим ввода команд:** привилегированный

### *no debug ip acl*

Выключение отладки пакетов IP-протокола, соответствующих критериям ACL.

**Формат:** no debug ip acl *acl Number*

**Режим ввода команд:** привилегированный

### *debug ip bgp*

Используйте команду, чтобы включить отладочную трассировку BGP-пакетов. Сообщения отладки отправляются в системный журнал с уровнем критичности DEBUG. Чтобы вывести сообщения отладки в консоль, включите ведение консольного журнала на уровне DEBUG, используя команду logging console debug. Опции отладки для конкретного соединения являются объединением опций, включенных глобально, и опций, включенных для данного соединения. Включение одной из опций типа пакета включает пакетную трассировку во входящем и в исходящем направлении.

**Значение по умолчанию:** выключено

**Формат:** `debug ip bgp [vrf vrf-name] {ipv4-address|ipv6-address} [ events | in | interface {unit/slot/port | vlan 1-4093} | keepalives | notification | open | out | refresh | updates ]`

**Режим ввода команд:** привилегированный

<i>Параметр</i>	<i>Описание</i>
<b>peer-address</b>	(Необязательно.) Адрес IPv4 BGP-соединения. Отладочные трассировки включены для определенного соединения, когда эта опция задана. Команда может быть выполнена многократно, чтобы включить одновременную трассировку для нескольких соединений.
<b>events</b>	(Необязательно.) Трассировка событий состояния смежности
<b>keepalives</b>	(Необязательно.) Трассировка передачи и получение пакетов KEEPALIVE.
<b>notification</b>	(Необязательно.) Трассировка передачи и получения пакетов NOTIFICATION.
<b>open</b>	(Необязательно.) Трассировка передачи и получения пакетов OPEN.
<b>refresh</b>	(Необязательно.) Трассировка передачи и получения пакетов ROUTE REFRESH
<b>updates</b>	(Необязательно.) Трассировка передачи и получения пакетов UPDATE.

### *no debug bgp*

Команда выключения отладочной трассировки событий BGP.

**Формат:** `no debug ip bgp [peer-address|events|keepalives|notification |open|refresh|updates]`

**Режим ввода команд:** привилегированный

### *debug ip vrrp*

Команда включает отладочные сообщения протокола VRRP.

**Значение по умолчанию:** выключено

**Формат:** `debug ip vrrp`

**Режим ввода команд:** привилегированный

### *no debug ip vrrp*

Выключает отладочные сообщения протокола VRRP.

**Формат:** `no debug ip vrrp`

**Режим ввода команд:** привилегированный

### ***debug ipv6 dhcр***

Команда выводит отладочную информации о действиях DHCPv6-клиента и трассировки пакетов DHCPv6, поступающих на локальный DHCPv6-клиент и передаваемых с него.

**Значение по умолчанию:** выключено  
**Формат:** debug ipv6 dhcр  
**Режим ввода команд:** привилегированный

*no debug ipv6 dhcр*

Выключает вывод отладочной информации о действиях DHCPv6-клиента.

**Формат:** no debug ipv6 dhcр  
**Режим ввода команд:** привилегированный

### ***debug ipv6 ospfv3 packet***

Используйте команду, чтобы включить отладочную трассировку пакетов IPv6 OSPFv3.

**Значение по умолчанию:** выключено  
**Формат:** debug ipv6 ospfv3 packet  
**Режим ввода команд:** привилегированный

*no debug ipv6 ospfv3 packet*

Выключение отладочной трассировки пакетов IPv6 OSPFv3.

**Формат:** no debug ipv6 ospfv3 packet  
**Режим ввода команд:** привилегированный

### ***debug lacp packet***

Эта команда позволяет отследить пакеты LACP, полученные и переданные коммутатором.

**Значение по умолчанию:** выключено  
**Формат:** debug lacp packet  
**Режим ввода команд:** привилегированный

*no debug lacp packet*

Выключает трассировку пакетов LACP.

**Формат:** no debug lacp packet  
**Режим ввода команд:** привилегированный

### ***debug mld Snooping packet***

Используйте эту команду, чтобы отслеживать прием и передачу пакетов MLD Snooping. При использовании ключевого слова **receive** отслеживаются только полученные пакеты MLD Snooping, при использовании **transmit** отслеживаются только переданные пакеты MLD Snooping. Когда ключевое слово не используется, выводятся все трассировки пакетов MLD Snooping. Важная информация (исходный адрес, адрес назначения, тип управляющего пакета, длина пакета и интерфейс, в котором пакет получен или передан) выводится в консоли.

**Значение по умолчанию:** выключено  
**Формат:** debug mld Snooping packet [receive | transmit]  
**Режим ввода команд:** привилегированный

### ***no debug mld Snooping packet***

Команда выключения отладочной трассировки приема и передачи пакета MLD snooping.

### ***debug ospf packet***

Команда позволяет отслеживать пакеты OSPF, полученные и переданные коммутатором. Дополнительно можно задать используемый виртуальный маршрутизатор.

**Значение по умолчанию:** выключено  
**Формат:** debug ospf packet [vrf vrf-name]  
**Режим ввода команд:** привилегированный

Параметры, отображаемые в сообщении трассировки

<b><i>Параметр</i></b>	<b><i>Значение</i></b>
<b>TX/RX</b>	TX — пакеты, переданные устройством. RX — пакеты, полученные устройством
<b>Intf</b>	Интерфейс, через который пакет вошел или из которого вышел. Используемый формат — unit/slot/port (внутренний номер интерфейса).
<b>Srclp</b>	IP-адрес источника в IP-заголовке пакета
<b>DestIp</b>	IP-адрес назначения в IP-заголовке пакета
<b>Areald</b>	Идентификатор зоны в OSPF-заголовке пакета.
<b>Type</b>	<p>Может быть одним из следующих:</p> <ul style="list-style-type: none"> <li>• HELLO – Hello packet</li> <li>• DB_DSCR – Database descriptor</li> <li>• LS_REQ – LS Request</li> <li>• LS_UPD – LS Update</li> <li>• LS_ACK – LS Acknowledge</li> </ul>

Оставшиеся поля в трассировке связаны с типами пакетов OSPF. Описания полей для пакета HELLO.

<b><i>Параметр</i></b>	<b><i>Значение</i></b>
<b>Netmask</b>	Маска сети в пакете hello.
<b>DesignRouter</b>	IP-адрес назначенного маршрутизатора

<b>Backup</b>	IP-адрес резервного маршрутизатора
---------------	------------------------------------

Описания полей для пакета DB\_DSCR:

<i>Поле</i>	<i>Значение</i>
<b>MTU</b>	MTU
<b>Options</b>	Опции в пакете OSPF
<b>Flags</b>	Флаг (или несколько флагов) из приведенных ниже: <ul style="list-style-type: none"> <li>• I – Init</li> <li>• M – More</li> <li>• MS – Master/Slave</li> </ul>
<b>Seq</b>	Порядковый номер пакета DD

Описания полей для пакета LS\_REQ

<i>Поле</i>	<i>Значение</i>
<b>Length</b>	Длина пакета

Описания полей для пакета LS\_UPD

<i>Поле</i>	<i>Значение</i>
<b>Length</b>	Длина пакета

Описания полей для пакета LS\_ACK.

<i>Поле</i>	<i>Значение</i>
<b>Length</b>	Длина пакета

### *no debug ospf packet*

Выключает трассировку пакетов OSPF.

**Формат:** no debug ospf packet

**Режим ввода команд:** привилегированный

### *debug ospfv3 packet*

Используйте команду, чтобы включить отладочную трассировку пакетов OSPFv3.

**Значение по умолчанию:** выключено

**Формат:** debug ospfv3 packet

**Режим ввода команд:** привилегированный

### *no debug ospfv3 packet*

Выключает отладочную трассировку пакетов OSPFv3.

**Формат:** no debug ospfv3 packet

**Режим ввода команд:** привилегированный



### ***debug ping packet***

Эта команда позволяет отслеживать запросы и ответы ICMP. Команда отслеживает операции ping на сетевом/сервисном порте. Возможно отслеживание на виртуальном маршрутизаторе.

**Значение по умолчанию:** выключено  
**Формат:** debug ping packet [vrf vrf-name]  
**Режим ввода команд:** привилегированный

<b>Параметр</b>	<b>Значение</b>
<b>TX/RX</b>	TX — пакеты, переданные устройством. RX — пакеты, полученные устройством
<b>Intf</b>	Интерфейс, через который пакет вошел или из которого вышел. Используемый формат — unit/slot/port (внутренний номер интерфейса). Для интерфейсов устройств вне стека юнит всегда отображается как 1.
<b>SRC_IP</b>	IP-адрес источника в IP-заголовке пакета
<b>DEST_IP</b>	IP-адрес назначения в IP-заголовке пакета
<b>Type</b>	Определяет тип сообщения ICMP (REQUEST или RESPONSE).

### ***no debug ping packet***

Выключает трассировку запросов и ответов ICMP.

**Формат:** no debug ping packet  
**Режим ввода команд:** привилегированный

### ***debug rip packet***

Данная команда включает трассировку запросов и ответов RIP. Дополнительных опций нет. Вывод направлен в файл журнала.

**Значение по умолчанию:** выключено  
**Формат:** debug rip packet  
**Режим ввода команд:** привилегированный

Параметры, отображаемые в сообщении трассировки.

<b>Поле</b>	<b>Значение</b>
<b>TX/RX</b>	TX — пакеты, переданные устройством. RX — пакеты, полученные устройством.
<b>Intf</b>	Интерфейс, через который пакет вошел или из которого вышел. Используемый формат — unit/slot/port (внутренний номер интерфейса). Для интерфейсов устройств вне стека юнит всегда отображается как 1.
<b>SRC_IP</b>	IP-адрес источника в IP-заголовке пакета.
<b>DEST_IP</b>	IP-адрес назначения в IP-заголовке пакета.
<b>Rip_Version</b>	Используемая версия RIP: RIPv1 или RIPv2.
<b>Packet_Type</b>	Тип пакета RIP: RIP_REQUEST или RIP_RESPONSE
<b>Routes</b>	Выводится до 5 маршрутов на пакет в следующем

	формате: Network: a.b.c.d Mask a.b.c.d Next_Hop a.b.c.d Metric a Следующий хоп отображается, если он отличен от 0.0.0.0. Для пакетов RIPv1 маска всегда казана как 0.0.0.0
<b>Number of routes not printed</b>	В трассировку включены только первые пять маршрутов пакета. Это уведомление о количестве дополнительных маршрутов в пакете, которые не были включены в трассировку

### ***no debug rip packet***

Команда выключает трассировку запросов и ответов RIP.

**Формат:** no debug rip packet

**Режим ввода команд:** привилегированный

### ***debug sflow packet***

Включить отладочную трассировку пакетов sFlow.

**Значение по умолчанию:** выключено

**Формат:** debug sflow packet

**Режим ввода команд:** привилегированный

### ***no debug sflow packet***

Выключить отладочную трассировку пакетов sFlow.

**Формат:** no debug sflow packet

**Режим ввода команд:** привилегированный

### ***debug spanning-tree bpdu***

Эта команда позволяет отслеживать BPDU-пакеты протокола STP, полученные и переданные коммутатором.

**Значение по умолчанию:** выключено

**Формат:** debug spanning-tree bpdu

**Режим ввода команд:** привилегированный

### ***no debug spanning-tree bpdu***

Выключение трассировки BPDU-пакетов протокола остовного дерева.

**Формат:** no debug spanning-tree bpdu

**Режим ввода команд:** привилегированный

### ***debug spanning-tree bpdu receive***

Команда отслеживания BPDU-пакетов протокола STP, полученных коммутатором. Чтобы отслеживать пакеты для определенного интерфейса, протокол STP должен быть включен на устройстве и интерфейсе.

**Значение по умолчанию:** выключено  
**Формат:** debug spanning-tree bpdu receive  
**Режим ввода команд:** привилегированный

<i>Поле</i>	<i>Значение</i>
<b>TX/RX</b>	TX — пакеты, переданные устройством. RX — пакеты, полученные устройством
<b>Intf</b>	Интерфейс, через который пакет вошел или из которого вышел. Используемый формат — unit/slot/port (внутренний номер интерфейса). Для интерфейсов устройств вне стека юнит всегда отображается как 1.
<b>Source_Mac</b>	MAC-адрес источника пакета.
<b>Version</b>	Версия протокола остоного дерева (0–3). 0 означает STP, 2 — RSTP, 3 — MSTP
<b>Root_Mac</b>	MAC-адрес корневого моста CIST.
<b>Root_Priority</b>	Приоритет корневого моста CIST. Допустимое значение: от 0 до 61440. Выводится как шестнадцатеричное число, кратное 4096
<b>Path_Cost</b>	Стоимость внешнего корневого пути, указанная в BPDU.

### ***no debug spanning-tree bpdu receive***

Выключить трассировку получаемых BPDU-пакетов протокола остоного дерева.

**Формат:** no debug spanning-tree bpdu receive  
**Режим ввода команд:** привилегированный

### ***debug spanning-tree bpdu transmit***

Эта команда позволяет отслеживать BPDU-пакеты протокола STP, отправленных коммутатором. Чтобы отслеживать пакеты на определенном интерфейсе, протокол STP должен быть включен на устройстве и интерфейсе.

**Значение по умолчанию:** выключено  
**Формат:** debug spanning-tree bpdu transmit  
**Режим ввода команд:** привилегированный

<i>Поле</i>	<i>Значение</i>
<b>TX/RX</b>	TX — пакеты, переданные устройством. RX — пакеты, полученные устройством
<b>Intf</b>	Интерфейс, через который пакет вошел или из которого вышел. Используемый формат — unit/slot/port (внутренний номер интерфейса). Для интерфейсов

	устройств вне стека юнит всегда отображается как 1.
<b>Source_Mac</b>	MAC-адрес источника пакета.
<b>Version</b>	Версия протокола остоного дерева (0–3). 0 означает STP, 2 — RSTP, 3 — MSTP
<b>Root_Mac</b>	MAC-адрес корневого моста CIST
<b>Root_Priority</b>	Приоритет корневого моста CIST. Допустимое значение: от 0 до 61440. Выводится как шестнадцатеричное число, кратное 4096.
<b>Path_Cost</b>	Компонент затрат BPDU: стоимость корневого пути BPDU .

### *no debug spanning-tree bpdu transmit*

Выключение трассировки отправляемых BPDU-пакетов протокола остовного дерева.

**Формат:** `no debug spanning-tree bpdu transmit`

**Режим ввода команд:** привилегированный

### *debug tacacs*

Команда `debug tacacs packet` используется для включения отладки TACACS+.

**Формат:** `debug tacacs {packet [receive | transmit] | accounting | authentication}`

**Режим ввода команд:** глобальная конфигурация

<i>Параметр</i>	<i>Описание</i>
<b>packet receive</b>	Включить отладку для принимаемых пакетов TACACS+.
<b>packet transmit</b>	Включить отладку для передаваемых пакетов TACACS+.
<b>accounting</b>	Включить отладку аутентификации TACACS+.
<b>authentication</b>	Включить отладку авторизации TACACS+.

### *debug telnetd start*

Используйте эту команду, чтобы запустить отладочный демон Telnet. Отладочный демон Telnet предоставляет доступ к командной оболочке Linux. Идентификатор пользователя Telnet: root. Если на момент выполнения команды демон Telnet уже работает, команда останавливает и перезапускает демон. Команда доступна при наличии debug-ключа.

**Формат:** `debug telnetd start [password][port]`

**Режим ввода команд:** привилегированный

<i>Параметр</i>	<i>Описание</i>
<b>password</b>	Необязательный пароль Telnet. Если пароль не задан, используется пароль по умолчанию: lvl7dbg
<b>port</b>	Необязательный номер порта Telnet. Если порт Telnet не указан, используется порт по умолчанию: 2323.

### ***debug telnetd stop***

Команда остановки демона Telnet, ранее запущенного командой `debug telnetd start`.

**Формат:** `debug telnetd stop`

**Режим ввода команд:** привилегированный

### ***debug transfer***

Команда включает отладку передачи файлов.

**Формат:** `debug transfer`

**Режим ввода команд:** привилегированный

### ***no debug transfer***

Выключает отладку передачи файлов.

**Формат:** `no debug transfer`

**Режим ввода команд:** привилегированный

### ***debug udlld events***

Команда включает отладку событий UDLD.

**Значение по умолчанию:** выключено

**Формат:** `debug udlld events`

**Режим ввода команд:** привилегированный

### ***debug udlld packet receive***

Команда включает отладочные сообщения при получении PDU UDLD.

**Значение по умолчанию:** выключено

**Формат:** `debug udlld packet receive`

**Режим ввода команд:** привилегированный

### ***debug udlld packet transmit***

Команда включает отладочные сообщения при отправке PDU UDLD.

**Значение по умолчанию:** выключено

**Формат:** `debug udlld packet transmit`

**Режим ввода команд:** привилегированный

## ***show debugging***

Команда отображает текущую конфигурацию отслеживания пакетов.

**Формат:** `show debugging`  
**Режим ввода команд:** привилегированный

## ***exception protocol***

Команда задает протокол, используемый для хранения файла дампа памяти.

**Значение по умолчанию:** отсутствует  
**Формат:** `exception protocol {nfs | tftp | ftp | local | usb | none}`  
**Режим ввода команд:** глобальная конфигурация

## ***no exception protocol***

Используйте эту команду, чтобы сбросить конфигурацию протокола дампа памяти к заводским настройкам

**Формат:** `no exception protocol`  
**Режим ввода команд:** глобальная конфигурация

## ***exception dump tftp-server***

Используйте эту команду для настройки IP-адреса удаленного TFTP-сервера, чтобы сохранить файлы дампа памяти на внешнем сервере

**Значение по умолчанию:** отсутствует  
**Формат:** `exception dump tftp-server {ip-address}`  
**Режим ввода команд:** глобальная конфигурация

## ***no exception dump tftp-server***

Используйте эту команду, чтобы сбросить конфигурацию удаленного сервера для дампов к заводским настройкам.

**Формат:** `no exception dump tftp-server`  
**Режим ввода команд:** глобальная конфигурация

## ***exception dump nfs***

Используйте эту команду, чтобы настроить точку подключения NFS и сохранение файла дампа памяти в файловой системе NFS.

**Значение по умолчанию:** отсутствует  
**Формат:** `exception dump nfs ip-address/dir`

**Режим ввода команд:** глобальная конфигурация

### *no exception dump nfs*

Сброс конфигурации точки подключения NFS для дампа к заводским настройкам.

**Формат:** no exception dump nfs

**Режим ввода команд:** глобальная конфигурация

### *exception dump filepath*

Команда для настройки пути к файлу при сохранении дампа памяти на TFTP или FTP-сервере, в подключенной системе NFS или подкаталоге USB-устройства.

**Значение по умолчанию:** отсутствует

**Формат:** exception dump filepath dir

**Режим ввода команд:** глобальная конфигурация

### *no exception dump filepath*

Команда сброса конфигурации пути к файлу дампа к заводским настройкам.

**Формат:** exception dump filepath

**Режим ввода команд:** глобальная конфигурация

### *exception core-file*

Настраивает префикс для имени файла дампа памяти. Имя файла дампа памяти генерируется с префиксом следующим образом.

При выборе hostname:

file-name-prefix\_hostname\_Time\_Stamp.bin

Если hostname не выбран:

file-name-prefix\_MAC\_Address\_Time\_Stamp.bin

Если hostname указан, имя файла ядра использует значение hostname, в остальных случаях имя файла ядра использует MAC-адрес при генерации файла дампа ядра. Длина префикса — 15 символов.

**Значение по умолчанию:** core

**Формат:** exception core-file {file-name-prefix | [hostname] | [time-stamp]}

**Режим ввода команд:** глобальная конфигурация

### *no exception core-file*

Команда сброса конфигурации префикса файла дампа памяти исключения к заводским настройкам. Опции имени узла и метки времени также отключаются.

**Значение по умолчанию:** core  
**Формат:** no exception core-file  
**Режим ввода команд:** глобальная конфигурация

### *exception switch-chip-register*

Команда включает или выключает дамп регистров микросхемы коммутатора в случае исключения. Дамп регистров микросхемы коммутатора выполняется только для основного юнита, для остальных юнитов стека не выполняется.

**Значение по умолчанию:** выключено  
**Формат:** exception switch-chip-register {enable | disable}  
**Режим ввода команд:** глобальная конфигурация

### *exception dump ftp-server*

Эта команда настраивает IP-адрес удаленного FTP-сервера, чтобы сохранить файлы дампа памяти на внешнем сервере. Если имя пользователя и пароль не настроены, коммутатор использует анонимное FTP-подключение. (FTP-сервер должен принимать анонимные подключения.)

**Значение по умолчанию:** отсутствует  
**Формат:** exception dump ftp-server ip-address [{username user-name password password}]  
**Режим ввода команд:** глобальная конфигурация

### *no exception dump ftp-server*

Команда сброса настроек удаленного FTP-сервера для дампа исключения к заводским настройкам. Команда также сбрасывает имя пользователя и пароль FTP.

**Значение по умолчанию:** отсутствует  
**Формат:** no exception dump ftp-server  
**Режим ввода команд:** глобальная конфигурация

### *exception dump compression*

Команда включает режим сжатия.

**Значение по умолчанию:** включено  
**Формат:** exception dump compression  
**Режим ввода команд:** глобальная конфигурация



### *no exception dump compression*

Команда выключает режим сжатия.

**Значение по умолчанию:** отсутствует  
**Формат:** `no exception compression`  
**Режим ввода команд:** глобальная конфигурация

### *exception dump stack-ip-address protocol*

Эта команда настраивает протокол (DHCP или статический) для использования при конфигурации сервисного порта в случае отказа юнита. Если настроен DHCP, модуль получает IP-адрес от DHCP-сервера, доступного в сети.

**Значение по умолчанию:** DHCP  
**Формат:** `exception dump stack-ip-address protocol {dhcp | static}`  
**Режим ввода команд:** глобальная конфигурация

### *no exception dump stack-ip-address protocol*

Сброс конфигурации IP-протокола стека (DHCP или статического) к настройкам по умолчанию.

**Значение по умолчанию:** отсутствует  
**Формат:** `no exception dump stack-ip-address protocol`  
**Режим ввода команд:** глобальная конфигурация

### *exception dump stack-ip-address add*

Эта команда добавляет статический IP-адрес, который будет присвоен сервисному порту отдельного юнита в стеке в случае отказа коммутатора. Этот IP-адрес используется для дампа памяти.

**Значение по умолчанию:** отсутствует  
**Формат:** `exception dump stack-ip-address add ip-address netmask [gateway]`  
**Режим ввода команд:** глобальная конфигурация

### *exception dump stack-ip-address remove*

Удаление конфигурации IP-адреса стека. Если данный IP-адрес присвоен какому-либо модулю в стеке, он удаляется из модуля.

**Значение по умолчанию:** отсутствует  
**Формат:** `exception dump stack-ip-address remove ip-address netmask`  
**Режим ввода команд:** глобальная конфигурация

## ***exception nmi***

Эта команда включает или выключает дампы памяти в случае NMI.

<b>Значение по умолчанию:</b>	выключено
<b>Формат:</b>	<code>exception nmi {enable   disable}</code>
<b>Режим ввода команд:</b>	глобальная конфигурация

## ***write core***

Используйте команду `write core`, чтобы создать файл дампа памяти. Команда `write core test` полезна при тестировании настроек дампа памяти. Например, если протокол TFTP сконфигурирован, `write core test` пытается связаться с сервером TFTP и сообщает, можно ли с ним связаться. Аналогичным образом, если протокол сконфигурирован как `nfs`, эта команда подключает и выключает файловую систему и сообщает пользователю о ее состоянии.



**`write core` перезагружает коммутатор, что может быть полезно, если он работает неправильно, но не отказал.**

Для `write core test` целевое имя файла используется для теста TFTP. Дополнительно можно задать целевое имя файла, если протокол сконфигурирован как TFTP.

<b>Значение по умолчанию:</b>	отсутствует
<b>Формат:</b>	<code>write core [test [dest_file_name]]</code>
<b>Режим ввода команд:</b>	привилегированный

## ***debug exception***

Команда отображает поддержку функций дампа памяти.

<b>Значение по умолчанию:</b>	отсутствует
<b>Формат:</b>	<code>debug exception</code>
<b>Режим ввода команд:</b>	привилегированный

## ***show exception***

Эта команда отображает параметры конфигурации для создания файла дампа памяти.

<b>Значение по умолчанию:</b>	отсутствует
<b>Формат:</b>	<code>show exception</code>
<b>Режим ввода команд:</b>	привилегированный

## ***show exception core-dump-file***

Команда отображает файлы дампа памяти, существующие в локальной файловой системе.

**Значение по умолчанию:** отсутствует  
**Формат:** show exception core-dump-file  
**Режим ввода команд:** привилегированный или режим конфигурации

### **show exception log**

Команда отображает результаты трассировки дампа памяти в локальной файловой системе.

**Значение по умолчанию:** отсутствует  
**Формат:** show exception log [previous]  
**Режим ввода команд:** привилегированный или режим конфигурации

### **mbuf**

Используйте эту команду, чтобы настроить пороговые ограничения для буфера памяти (MBUF) и генерировать уведомления при достижении этих пределов.

**Формат:** mbuf {falling-threshold | rising threshold | severity}  
**Режим ввода команд:** глобальная конфигурация

<i>Поле</i>	<i>Описание</i>
<b>Rising Threshold</b>	Уровень использования ресурсов памяти в процентах, при превышении которого отправляется уведомление. Допустимые значения: от 1 до 100. Значение по умолчанию — 0 (выключено).
<b>Falling Threshold</b>	Нижний уровень использования ресурсов памяти в процентах, при потреблении менее которого создается уведомление. Допустимые значения: от 1 до 100. Значение по умолчанию — 0 (выключено).
<b>Severity</b>	Уровень критичности, на котором Mbuf выдает системные сообщения. Допустимые значения: от 1 до 7. Значение по умолчанию: 5 (L7_LOG_SEVERITY_NOTICE).

### **show mbuf total**

Команда отображает информацию буфера памяти (MBUF).

**Формат:** show mbuf total  
**Режим ввода команд:** привилегированный

<i>Поле</i>	<i>Описание</i>
<b>Mbufs Total</b>	Общее количество сообщений в системном буфере
<b>Mbufs Free</b>	Количество доступных буферов сообщений
<b>Mbufs Rx Used</b>	Количество используемых в настоящее время буферов сообщений
<b>Total Rx Norm Alloc Attempts</b>	Число попыток системы выделить буфер под сообщения класса RX Norm
<b>Total Rx Mid2</b>	Число попыток системы выделить буфер под сообщения класса RX Mid2
<b>Total Rx Mid1 Alloc Attempts</b>	Число попыток системы выделить буфер под сообщения класса RX Mid1

<b>Total Rx Mid0 Alloc Attempts</b>	Число попыток системы выделить буфер под сообщения класса RX Mid0
<b>Total Rx High Alloc Attempts</b>	Число попыток системы выделить буфер под сообщения класса RX High.
<b>Total Tx Alloc Attempts</b>	Число попыток системы выделить буфер под сообщения класса TX.
<b>Total Rx Norm Alloc Failures</b>	Количество отказов при выделении буфер под сообщения класса RX Norm
<b>Total Rx Mid2 Alloc Failures</b>	Количество отказов при выделении буфер под сообщения класса RX Mid2
<b>Total Rx Mid1 Alloc Failures</b>	Количество отказов при выделении буфер под сообщения класса RX Mid1
<b>Total Rx Mid0 Alloc Failures</b>	Количество отказов при выделении буфер под сообщения класса RX Mid0
<b>Total Rx High Alloc Failures</b>	Количество отказов при выделении буфер под сообщения класса RX High
<b>Total Tx Alloc Failures</b>	Количество отказов при выделении буфер под сообщения класса TX

### ***show msg-queue***

Команда для отображения очередей сообщений.

**Значение по умолчанию:** отсутствует  
**Формат:** show msg-queue  
**Режим ввода команд:** привилегированный

### ***debug packet-trace***

Используйте эту команду, чтобы включить вывод сообщений функции трассировки пакетов.

**Значение по умолчанию:** отсутствует  
**Формат:** debug packet-trace  
**Режим ввода команд:** привилегированный

### ***session start***

Команда инициирует консольную сессию от ведущего устройства стека к другому юниту в стеке, или от второстепенного юнита до управляющего или другого второстепенного юнита. Во время сессии на задействованном юните могут быть использованы команды для поиска неисправностей и отладки с выводом релевантной информации от задействованного юнита, определенного в сессии. Команды отображаются на задействованном юните с помощью опции help.

**Значение по умолчанию:** выключено  
**Формат:** session start {unit unit-number | manager}  
**Режим ввода команд:** глобальная конфигурация

<b><i>Параметр</i></b>	<b><i>Описание</i></b>
<b>unit</b>	Подключение к указанному юниту от главного юнита

	стека.
<b>manager</b>	Подключение непосредственно к управляющему юниту от любого второстепенного юнита без ввода номера управляющего юнита.

### **session stop**

Используйте эту команду, чтобы завершить сессию, запущенную командой `session start` от управляющего юнита к второстепенному, от второстепенного юнита к такому же юниту или от юнита к управляющему юниту.

**Значение по умолчанию:** выключено  
**Формат:** `session stop`  
**Режим ввода команд:** глобальная конфигурация

## 5.16 Команды тестирования кабеля

Функция тестирования кабеля позволяет определить состояние кабельного соединения на выбранном порту



**Функция тестирования кабеля поддерживается только для медного кабеля. Для оптоволоконного кабеля тестирование не поддерживается.**

**Если у порта есть активное соединение, в процессе тестирования кабеля соединение может быть прервано.**

### **cablestatus**

Эта команда возвращает состояние указанного порта.

**Формат:** `cablestatus unit/slot/port`  
**Режим ввода команд:** привилегированный

<b>Поле</b>	<b>Описание</b>
<b>Cable Status</b>	Возвращает один из следующих статусов. <ul style="list-style-type: none"> <li>• <b>Normal:</b> Кабель работает исправно.</li> <li>• <b>Open:</b> Кабель разъединен или есть неисправный разъем.</li> <li>• <b>Short:</b> Короткое замыкание кабеля.</li> <li>• <b>Cable Test Failed:</b> Состояние кабеля не определено. Не исключено, что он исправен.</li> <li>• <b>Crosstalk:</b> Перекрестные помехи на кабеле.</li> <li>• <b>No Cable:</b> Кабель не найден</li> </ul>
<b>Cable Length</b>	Если эта функция поддерживается РНУ для текущей скорости соединения, длина кабеля отображается как диапазон между самой короткой предполагаемой длиной и самой продолжительно предполагаемой длиной. Обратите внимание: если соединение поднято и кабель присоединен к адаптеру Ethernet 10/100, отображается состояние кабеля Open или

	Short, потому что некоторые адаптеры Ethernet оставляют неиспользованные проводные пары включенными или заземленными. Значение unknown отображается, если длина кабеля не определена.
--	---

## 5.17 Команды sFlow

sFlow - стандарт для мониторинга высокоскоростных коммутируемых и маршрутизируемых сетей. Технология sFlow встроена в сетевое оборудование и обеспечивает полную видимость сетевой активности, обеспечивая эффективное управление и контроль сетевых ресурсов.

### *sflow poller*

Источник данных, настроенный для сбора показаний счётчиков, называется поллером. Используйте эту команду, чтобы включить новый поллер sFlow на интерфейсе или диапазоне интерфейсов, rcvr\_idx должен быть индексом настроенного принимающего устройства.

**Формат:** `sflow poller {rcvr-idx | interval poll-interval}`

**Режим ввода команд:** конфигурирование интерфейса

<i>Поле</i>	<i>Описание</i>
<b>Receiver Index</b>	Принимающее устройство sFlow, связанное с регистратором. Значение 0 означает, что принимающее устройство не настроено. Диапазон: 1–8. Значение по умолчанию: 0
<b>Poll Interval</b>	Интервал опроса счётчиков для поллера sFlow. Интервал опроса 0 выключает встречную выборку показаний счётчиков. Когда установлено нулевое значение (0), все параметры регистраторов поллера принимают значения по умолчанию. Диапазон: 0–86400. Значение по умолчанию: 0. Значение N значит, что встречная выборка показаний счётчиков происходит один раз в N секунд.



Процесс sFlow загружен больше всего, когда интервал опроса sFlow настроен на минимальное значение (т. е. одна секунда для всех поддерживаемых интерфейсов sFlow). В этом случае процесс sFlow постоянно занят сбором показаний счетчиков во всех сконфигурированных интерфейсах. Устройство может зависнуть на некоторое время при попытке конфигурации или использования show-команд для sFlow. Для предотвращения этой ситуации доступные интервалы для интерфейсов ограничены следующим образом:

Максимальное количество допустимых интерфейсов для интервалов опроса от максимального (1, (interval – 10)) до минимального ((interval + 10), 86400): интервал \* 5.

При каждом увеличении интервала опроса на одну секунду количество допустимых интерфейсов, которые могут быть сконфигурированы увеличивается на 5.

### *no sflow poller*

Используйте эту команду, чтобы удалить поллер sFlow с интерфейса или диапазона интерфейсов.

**Формат:** `no sflow poller [interval]`

**Режим ввода команд:** конфигурирование интерфейса

### *sflow receiver*

Команда устанавливает параметры принимающего устройства sFlow.

**Формат:** `no sflow receiver index {ip ip-address | maxdatagram size | owner string timeout interval | port 14-port}`

**Режим ввода команд:** глобальная конфигурация

<i>Параметр</i>	<i>Описание</i>
<b>index</b>	Индекс принимающего устройства. Допустимые значения: от 1 до 8
<b>owner</b>	Строка, идентифицирующая запись таблицы sFlowRcvrTable для данного принимающего устройства. Диапазон: 127 символов. Значение по умолчанию: пустая строка. Пустая строка указывает, что запись не используется и конфигурация принимающего устройства сбрасывается к значениям по умолчанию. Перед использованием записи sFlowRcvrTable необходимо убедиться, что запись еще не используется. Запись считается используемой, если имеет значение, отличное от пустой строки. Запись должна быть создана до того, как принимающее устройство будет связано с поллером или сэмплером.
<b>timeout</b>	Время (в секундах), через которое сэмплер или поллер будет отсоединён и перестанет отсылать информацию. Управляющее устройство, обеспечивающее контроль над сэмплером/поллером, ответственно за установку нового значения, прежде чем истечет старое. Допустимый диапазон: 0–2147483647 секунд. Значение по умолчанию: 0.
<b>notimeout</b>	Настроенная запись сохраняется в конфигурации, пока не будет явно удалена.
<b>maxdatagram</b>	Максимальное количество байтов данных, которые могут быть отправлены в одной дейтаграмме. Управляющее устройство должно установить это значение, чтобы избежать фрагментации sFlow-дейтаграмм. Диапазон: 200–9116. Значение по умолчанию: 1400.
<b>ip</b>	IP-адрес принимающего устройства sFlow. При значении 0.0.0.0 sFlow-дейтаграммы не будут отправлены. Значение по умолчанию: 0.0.0.0.
<b>port</b>	UDP-порт назначения Layer4 для sFlow-дейтаграмм. Диапазон: 1–65535. Значение по умолчанию: 6343.

## *no sflow receiver*

Команда возвращает параметры принимающего устройства sFlow к значениям по умолчанию.

**Формат:** `no sflow receiver indx {ip ip-address | maxdatagram size | owner string timeout interval | port 14-port}`

**Режим ввода команд:** глобальная конфигурация

## *sflow receiver owner timeout*

Используйте эту команду, чтобы настроить принимающее устройство как запись с заданным временем жизни. Если принимающее устройство sFlow настроено с заданным временем жизни, информация, связанная с регистраторами, не отображается в текущей конфигурации и не сохраняется после перезагрузки.

**Формат:** `sflow receiver index owner owner-string timeout`

**Режим ввода команд:** глобальная конфигурация

## *sflow receiver owner notimeout*

Используйте эту команду, чтобы настроить принимающее устройство как запись без заданного времени жизни. В отличие от записей, сконфигурированных с определенным значением времени жизни, эта команда будет отображаться в текущей конфигурации и сохраняться после перезагрузки. Если принимающее устройство sFlow настроено как запись без заданного времени жизни, информация о сэмплерах и поллерах, связанных с этим принимающим устройством также будет отображаться в текущей конфигурации и сохраняться после перезагрузки.

**Формат:** `sflow receiver index owner owner-string notimeout`

**Режим ввода команд:** глобальная конфигурация

## *sflow remote-agent ip*

Команда назначает адрес IPv4 удаленному агенту. Когда включена функция аппаратной выборки sFlow, коммутатор отправляет выбранные пакеты, инкапсулированные в пользовательском пакете sFlow, на этот IP-адрес.

**Значение по умолчанию:** 0.0.0.0

**Формат:** `sflow remote-agent index ip ipv4-address`

**Режим ввода команд:** глобальная конфигурация

## *no sflow remote-agent ip*

Используйте эту команду, чтобы удалить адрес удаленного IPv4-агента.

**Формат:** `no sflow remote-agent index ip`

**Режим ввода команд:** глобальная конфигурация

## *sflow remote-agent monitor-session*

Используйте эту команду, чтобы назначить идентификатор мониторинга (MTP) для сессии удаленного агента. Порт назначения — исходящий интерфейс для пакетов выборки sFlow. Пакеты выборки sFlow отправляются на все сконфигурированные порты назначения, независимо от индекса сессии мониторинга.

**Значение по умолчанию:** 0 для сессии мониторинга и порта назначения



**Формат:** `sflow remote-agent index monitor-session session id range 1-4 destination interface unit/slot/port`

**Режим ввода команд:** глобальная конфигурация

*no sflow remote-agent monitor-session*

Команда удаляет конфигурацию удаленного агента.

**Формат:** `no sflow remote-agent index monitor-session`

**Режим ввода команд:** глобальная конфигурация

### ***sflow remote-agent port***

Эта команда настраивает UDP-порт назначения для удаленного агента.

**Значение по умолчанию:** 16343

**Формат:** `sflow remote-agent index port value`

**Режим ввода команд:** глобальная конфигурация

### ***no sflow remote-agent port***

Очищает конфигурацию UDP-порта назначения удаленного агента.

**Формат:** `no sflow remote-agent port`

**Режим ввода команд:** глобальная конфигурация

### ***sflow sampler***

Источник данных, настроенный для выборки образцов потока, называется сэмплером. Используйте эту команду, чтобы настроить новый сэмплером sFlow на интерфейсе или диапазоне интерфейсов, `rcvr_idx` должен быть индексом настроенного принимающего устройства.

**Формат:** `sflow sampler {rcvr-idx | rate sampling-rate | maxheadersize size}`

**Режим ввода команд:** конфигурирование интерфейса

Поле	Описание
<code>rcvr-idx</code>	Принимающее устройство sFlow для данного sFlow-сэмплера, на который требуется отправлять выборки потока. Значение 0 означает, что принимающее устройство не настроено и пакеты с выборкой пакетов не будут отправляться. Можно настроить только активные принимающие устройства. Если принимающее устройство будет становится неактивным, то все сэмплеры, связанные с этим принимающим устройством, также будут становиться неактивными. Возможные значения: 1–8. Значение по умолчанию: 0.
<code>maxheadersize</code>	Максимальное количество байт, которые требуется копировать из сэмплируемого пакета. Диапазон: 20–256. Значение по умолчанию: 128. Если установлено нулевое значение (0), все параметры сэмплера принимают значения по умолчанию
<code>rate</code>	Частота сэмплирования пакетов из данного источни-

	ка. Значение 0 выключает сэмплирование. Значение N означает, что из N входящих пакетов будет выбран 1 пакет. Диапазон: 1024–65536 и 0. Значение по умолчанию: 0
--	---

### ***no sflow sampler***

Используйте эту команду, чтобы сбросить sFlow-сэмплер к настройкам по умолчанию.

**Формат:** `no sflow sampler {rcvr-idx | rate sampling-rate | maxheadersize size}`

**Режим ввода команд:** конфигурирование интерфейса

### ***sflow sampler rate***

Команда устанавливает частоту сэмплирования входящих/исходящих пакетов или сэмплирования на основе потока на этом интерфейсе.

**Значение по умолчанию:** 0 для частоты сэмплирования входящих пакетов.

**Формат:** `sflow sampler rate value {ingress | egress | flow-based}`

**Режим ввода команд:** конфигурирование интерфейса

### ***no sflow sample rate***

Удаляет частоту сэмплирования входящих/исходящих пакетов или сэмплирования на основе потока на этом интерфейсе.

**Формат:** `no sflow sampler rate value {ingress | egress | flow-based}`

**Режим ввода команд:** конфигурирование интерфейса

### ***sflow sampler remote-agent***

Используйте эту команду, чтобы включить новый удаленный агент sFlow-сэмплера для этого источника данных.

**Значение по умолчанию:** отсутствует

**Формат:** `sflow sampler remote-agent index`

**Режим ввода команд:** конфигурирование интерфейса

### ***no sflow sampler remote-agent***

Используйте эту команду, чтобы выключить удаленный агент sFlow-сэмплера для этого источника данных.

**Формат:** `no sflow sampler remote-agent`

**Режим ввода команд:** конфигурирование интерфейса

### ***sflow sampler filter ip access-group***

Включает на интерфейсе сэмплирование входящих пакетов на основе потока для указанного IP ACL, идентифицированного по имени или идентификатору ACL. Данная настройка позволяет сэмплировать пакеты, соответствующие определенному потоку.

**Значение по умолчанию:** отсутствует

**Формат:** `sflow sampler filter ip access-group {aclid | aclName}`

**Режим ввода команд:** конфигурирование интерфейса

### *no sflow sampler filter ip access-group*

Используйте эту команду, чтобы выключить сэмплирование входящих пакетов на основе потока на интерфейсе для IP ACL.

**Формат:** `no sflow sampler filter ip access-group`

**Режим ввода команд:** конфигурирование интерфейса

### *sflow sampler filter mac access-group*

Включает на интерфейсе сэмплирование на основе потока входящих пакетов для указанного MAC ACL, идентифицированного по имени или идентификатору ACL. Данная настройка позволяет сэмплировать пакеты, соответствующие определенному потоку.

**Значение по умолчанию:** отсутствует

**Формат:** `sflow sampler filter mac access-group aclName`

**Режим ввода команд:** конфигурирование интерфейса

### *no sflow sampler filter mac access-group*

Используйте эту команду, чтобы выключить сэмплирование входящих пакетов на основе потока на интерфейсе для MAC ACL.

**Формат:** `no sflow sampler filter mac access-group`

**Режим ввода команд:** конфигурирование интерфейса

### *sflow source-interface*

Команда для определения физического или логического интерфейса, адрес которого будет использоваться в качестве адреса источника sFlow-клиента. Если настроен, адрес источника используется для любых связей между принимающим устройством sFlow и sFlow-клиентом (если нет, изменения не вносятся). Если настроенный интерфейс не поднят, sFlow-клиент возвращается в режим по умолчанию.

**Формат:** `sflow source-interface {unit/slot/port | loopback Loopback-id | tunnel tunnel-id | vlan vlan-id}`

**Режим ввода команд:** глобальная конфигурация

<i>Параметр</i>	<i>Описание</i>
<b>unit/slot/port</b>	VLAN или интерфейс маршрутизации на базе порта
<b>loopback-id</b>	Настраивает loopback-интерфейс в качестве IP-адреса источника. Диапазон идентификатора обратной петли: от 0 до 7
<b>tunnel-id</b>	Настраивает туннельный интерфейс в качестве IP-адреса источника. Диапазон идентификатора туннеля: от 0 до 7
<b>vlan-id</b>	Настраивает интерфейс VLAN в качестве IP-адреса источника. Диапазон идентификатора VLAN: 1–4093.

### *no sflow source-interface*

Сбрасывает настройки адреса источника sFlow к настройкам по умолчанию.

**Формат:** `no sflow source-interface`

**Режим ввода команд:** глобальная конфигурация

### *show sflow agent*

Используйте эту команду, чтобы отобразить информацию об агенте sFlow.

**Формат:** `show sflow agent`

**Режим ввода команд:** привилегированный

<i>Поле</i>	<i>Описание</i>
sFlow Version	Однозначно определяет версию и реализацию этого MIB. У строки версии должна быть следующая структура: версия MIB; организация; редакция ПО, где версия MIB: 1.3, версия данного MIB. Организация: Corp. Редакция: 1.0
IP address	IP-адрес, связанный с этим агентом

### *show sflow pollers*

Используйте эту команду, чтобы отобразить поллеры sFlow, созданные на коммутаторе.

**Формат:** `show sflow pollers`

**Режим ввода команд:** привилегированный

<i>Поле</i>	<i>Описание</i>
Poller Data Source	sFlowDataSource (slot/port) для этого sFlow-поллера. Этот агент поддерживает только физические порты
Receiver Index	Принимающее устройство sFlow, связанное с этим поллером sFlow
Poller Interval	Время в секундах между последовательными опросами счетчиков, связанных с этим источником данных

### *show sflow receivers*

Используйте эту команду для отображения конфигурационной информации, связанной с принимающими устройствами sFlow.

**Формат:** `show sflow receivers [index]`

**Режим ввода команд:** привилегированный

<i>Параметр</i>	<i>Описание</i>
Receiver Index	Принимающее устройство sFlow, связанное с сэмплером/поллером
Owner String	Строка, идентифицирующая запись таблицы sFlowRcvrTable для данного принимающее устройства

<b>Time Out</b>	Время (в секундах), через которое сэмплер или поллер будет отсоединён и перестанет отсылать информацию. Значение параметра по timeout означает, что принимающее устройство sFlow настроено как запись без заданного времени жизни.
<b>Max Datagram Size</b>	Максимальное количество байтов, которые могут быть отправлены в одной дейтаграмме.
<b>Port</b>	UDP-порт назначения для sFlow-дейтаграмм.
<b>IP address</b>	IP-адрес принимающего устройства sFlow
<b>Address Type</b>	Тип IP-адреса принимающего устройства sFlow. Для IPv4-адреса используется значение 1, для IPv6-адреса — 2.
<b>Datagram Version</b>	Версия протокола sFlow, которая будет использоваться при отправке выборок на принимающее устройство sFlow

### ***show sflow remote-agents***

Команда отображает подробности настройки удаленных агентов sFlow.

**Формат:** `show sflow remote-agents`

**Режим ввода команд:** привилегированный

<i>Поле</i>	<i>Описание</i>
<b>Sampler Data Source</b>	sFlowDataSource (slot/port) для этого sFlow-сэмплера. Этот агент поддерживает только физические порты
<b>Receiver Index</b>	Принимающее устройство sFlow, настроенное для этого sFlow-сэмплера.
<b>Remote Agent</b>	Индекс удаленного агента
<b>Ingress Sampling Rate</b>	Частота дискретизации сэмплирования для входящих пакетов.
<b>Flow Sampling Rate</b>	Частота сэмплирования для сэмплирования на основе потока.
<b>Egress Sampling Rate</b>	Частота сэмплирования исходящих пакетов.
<b>Max Header Size</b>	Максимальное количество байт, которые требуется копировать из сэмплированного пакета
<b>IP ACL</b>	Связанный IP ACL
<b>MAC ACL</b>	Связанный MAC ACL

### ***show sflow source-interface***

Используйте эту команду, чтобы отобразить интерфейс, адрес которого используется в качестве адреса источника sFlow, настроенный на коммутаторе.

**Формат:** `show sflow source-interface`

**Режим ввода команд:** привилегированный

<i>Поле</i>	<i>Описание</i>
<b>sFlow Client Source Interface</b>	Идентификатор физического или логического интерфейса, адрес которого используется в качестве адреса источника sFlow-клиента.
<b>sFlow Client Source IPv4 Address</b>	IP-адрес интерфейса, сконфигурированного как исходный интерфейс использующийся в качестве адреса источника sFlow-клиента.

## 5.18 Команды настройки SDM-шаблонов

Шаблон Switch Database Management (SDM) — это описание максимальных ресурсов, которые коммутатор или маршрутизатор может использовать для различных функций. Различные шаблоны SDM позволяют различные комбинации коэффициентов масштабирования, включая различные примеры распределения ресурсов в зависимости от того, как используется устройство. Другими словами, шаблоны SDM позволяют перераспределить системные ресурсы, чтобы поддерживать различное сочетание функций для конкретных сетевых требований.



При подключении юнита к стеку, если его шаблон не соответствует шаблону стека, новый юнит автоматически перезагружается с использованием шаблона, аналогичного используемому другими юнитами стека. Чтобы избежать автоматической перезагрузки, можно предварительно установить на юните шаблон, используемый существующими юнитами стека. Затем выключите новый юнит, присоедините его к стеку и включите.

### *sdm prefer*

Используйте эту команду, чтобы изменить шаблон, который будет активен после следующей перезагрузки. Ключевые слова:

- **dual-ipv4-and-ipv6**— Ограничивает выбор шаблонов теми шаблонами, что поддерживают и IPv4, и IPv6. Шаблон default увеличивает до максимума количество одноадресных маршрутов IPv4 и IPv6, параллельно ограничивая количество ближайших ESRP на каждом маршруте до 4. Шаблон data-center поддерживает увеличение количества ближайших ESRP до 32.
- **ipv4-routing**— Ограничивает выбор шаблонов теми шаблонами, что поддерживают только IPv4. Шаблон default для IPv4-маршрутизации увеличивает до максимума количество одноадресных маршрутов IPv4, параллельно ограничивая количество ближайших ESRP на каждом маршруте до 4. Шаблон data-center default поддерживает увеличение количества ближайших ESRP до 32 и сокращает количество маршрутов. Шаблон data-center plus увеличивает количество ближайших ESRP до 32 и сохраняет максимальное количество маршрутов IPv4.



После установки шаблона требуется выполнить перезагрузку, чтобы изменения конфигурации вступили в силу.

<b>Значение по умолчанию:</b>	dual-ipv4-and-ipv6
<b>Формат:</b>	sdm prefer {dual-ipv4-and-ipv6 {default   data-center }   ipv4-routing {default   {data-center {default   plus}}}}
<b>Режим ввода команд:</b>	глобальная конфигурация

### *no sdm prefer*

Используйте эту команду, чтобы после следующей перезагрузки вернуться к шаблону по умолчанию.

<b>Формат:</b>	no sdm prefer
<b>Режим ввода команд:</b>	глобальная конфигурация

### *show sdm prefer*

Команда позволяет просмотреть активный SDM-шаблон и его параметры масштабирования или просмотреть параметры масштабирования для неактивного шаблона. Без дополнительных ключевых слов команда выводит активный шаблон и шаблон, который будет активен после перезагрузки, если он отличен от активного шаблона. Если система загружена не с использованием шаблона по умолчанию и выполняется сброс конфигурации шаблона (с помощью `sdm prefer` или удаления стартовой конфигурации), команда `show sdm prefer` выведет шаблон по умолчанию как следующий активный шаблон. Чтобы вывести коэффициенты масштабирования определенного шаблона, используйте ключевое слово этого шаблона в качестве параметра к команде.

Используйте дополнительные ключевые слова, чтобы вывести коэффициенты масштабирования определенного шаблона.

**Формат:** `show sdm prefer [dual-ipv4-and-ipv6 {default | data-center} | ipv4-routing {default | data-center {default | plus}} ]`

**Режим ввода команд:** привилегированный

<i>Параметр</i>	<i>Описание</i>
<b>dual-ipv4-and-ipv6 default</b>	(Не обязательно.) Список коэффициентов масштабирования для шаблона с поддержкой IPv4 и IPv6
<b>dual-ipv4-and-ipv6 data-center</b>	(Не обязательно.) Список коэффициентов масштабирования для шаблона Dual IPv4 и IPv6, поддерживающего больше ближайших ESRP
<b>ipv4-routing default</b>	(Не обязательно.) Список коэффициентов масштабирования для шаблона, поддерживающего только IPv4 с максимальным количеством одноадресных маршрутов
<b>ipv4-routing data-center default</b>	(Не обязательно.) Список коэффициентов масштабирования для шаблона поддержки только IPv4 и большего количества ближайших ESRP.
<b>ipv4-routing data-center plus</b>	(Не обязательно.) Список коэффициентов масштабирования для шаблона, поддерживающего только IPv4 с максимальным количеством одноадресных маршрутов, а также большее количества ближайших ESRP.

<i>Поле</i>	<i>Описание</i>
<b>ARP Entries</b>	Максимальное количество записей в кэше Address Resolution Protocol (ARP) IPv4 для интерфейсов маршрутизации
<b>IPv4 Unicast Routes</b>	Максимальное количество записей таблицы маршрутизации для одноадресного трафика IPv4.
<b>IPv6 NDP Entries</b>	Максимальное количество записей кэша Neighbor Discovery Protocol (NDP) для IPv6
<b>IPv6 Unicast Routes</b>	Максимальное количество записей таблицы маршрутизации для одноадресного трафика IPv6
<b>ESRP Next Hops</b>	Максимальное количество ESRP маршрутов, которые могут быть установлены в одноадресных таблицах маршрутизации IPv4 и IPv6

## 5.19 Команды удаленного мониторинга

Удаленный мониторинг (RMON) является методом сбора разнообразных данных о сетевом трафике. RMON поддерживает 64-разрядные счетчики (RFC 3273) и High Capacity Alarm Table (RFC 3434).



Не существует команды конфигурации для статистики ethernet и статистики ethernet большой разрядности. Источник данных для статистики ethernet и статистики ethernet большой разрядности настраиваются во время инициализации.

### **rmon alarm**

Команда устанавливает запись оповещения RMON в таблице оповещений RMON MIB.

**Формат:** `rmon alarm alarm number variable sample interval {absolute|delta} rising-threshold value [rising-event-index] falling-threshold value [falling-event-index] [startup {rising|falling|rising-falling}] [owner string]`

**Режим ввода команд:** глобальная конфигурация

<i>Параметр</i>	<i>Описание</i>
<b>Alarm Index</b>	Индекс, который однозначно определяет запись в таблице оповещений. Каждая запись определяет диагностическую выборку по определенному интервалу времени для объекта на устройстве. Допустимые значения: от 1 до 65535.
<b>Alarm Variable</b>	Идентификатор объекта переменной для выборки. Допускаются только переменные, которые имеют тип примитивного целого числа ASN.1
<b>Alarm Interval</b>	Интервал в секундах, по которому происходит выборка данных и их сравнение с нижним и верхним порогом. Допустимые значения: от 1 до 2147483647. Значение по умолчанию: 1.
<b>Alarm Rising Threshold</b>	Верхний порог для оповещения. Допустимые значения: от 2147483648 до 2147483647. Значение по умолчанию: 1.
<b>Alarm Rising Event Index</b>	Индекс объекта события eventEntry, используемого при пересечении верхнего порога. Допустимые значения: от 1 до 65535. Значение по умолчанию: 1
<b>Alarm Falling Threshold</b>	Нижний порог для оповещения. Допустимые значения: от 2147483648 до 2147483647. Значение по умолчанию: 1.
<b>Alarm Falling Event Index</b>	Индекс объекта события eventEntry, используемого при пересечении нижнего порога. Допустимые значения: от 1 до 65535. Значение по умолчанию: 2
<b>Alarm Startup Alarm</b>	Оповещение, которое должно быть отправлено. Возможные значения: rising, falling или rising-falling. По умолчанию: rising-falling.
<b>Alarm Owner</b>	Строка имени владельца, связанная с записью оповещения. Значение по умолчанию: monitorAlarm.

### **no rmon alarm**

Удаляет запись оповещения RMON.

**Формат:** `no rmon alarm alarm number`



Режим ввода команд: глобальная конфигурация

### **rmon hcalarm**

Команда устанавливает запись RMON hcalarm в MIB-таблице оповещений RMON для переменных большой разрядности.

**Формат:** `rmon hcalarm alarm number variable sample interval {absolute|delta} rising-threshold high value low value status {positive|negative} [rising-event-index] falling-threshold high value low value status {positive|negative} [falling-event-index] [startup {rising|falling|rising-falling}] [owner string]`

Режим ввода команд: глобальная конфигурация

<i>Параметр</i>	<i>Описание</i>
<b>High Capacity Alarm Index</b>	Произвольное целочисленное значение, определяющее запись оповещения. Допустимые значения: от 1 до 65535.
<b>High Capacity Alarm Variable</b>	Идентификатор объекта переменной для выборки. Допускаются только переменные, которые имеют тип примитивного целого числа ASN.1.
<b>High Capacity Alarm Interval</b>	Интервал в секундах, по которому происходит выборка данных и их сравнение с нижним и верхним порогом. Допустимые значения: от 1 до 2147483647. Значение по умолчанию: 1
<b>High Capacity Alarm Sample Type</b>	Метод выборки переменной и вычисления значения, которое будет сравниваться с порогами. Возможные типы: Absolute Value или Delta Value. По умолчанию: Absolute Value.
<b>High Capacity Alarm Absolute Alarm Status</b>	Знак значения для переменной большой разрядности (hcAlarmAbsValueobject).
<b>High Capacity Alarm Startup Alarm</b>	Возможные типы состояния: valueNotAvailable, valuePositive или valueNegative. По умолчанию: valueNotAvailable. Оповещение, которое должно быть отправлено. Предупреждение большой емкости запускает сигнал, который может быть отправлен. Возможные значения: rising, falling или rising-falling. По умолчанию: rising-falling.
<b>High Capacity Alarm Rising- Threshold Absolute Value Low</b>	Нижние 32 бит абсолютного значения верхнего порога для оповещения. Допустимые значения: от 0 до 4294967295. Значение по умолчанию: 1
<b>High Capacity Alarm Rising- Threshold Absolute Value High</b>	Верхние 32 бита абсолютного значения верхнего порога для оповещения. Допустимые значения: от 0 до 4294967295. Значение по умолчанию: 0
<b>High Capacity Alarm Rising- Threshold Value Status</b>	Знак числа верхнего порога, определенного объектами hcAlarmRisingThresAbsValueLow и hcAlarmRisingThresAbsValueHigh. Возможные значения: valueNotAvailable, valuePositive, или valueNegative. По умолчанию: valuePositive.
<b>High Capacity Alarm Falling- Threshold Absolute Value Low</b>	Нижние 32 бит абсолютного значения нижнего порога для оповещения. Допустимые значения: от 0 до

	4294967295. Значение по умолчанию: 1
<b>High Capacity Alarm Falling- Threshold Absolute Value High</b>	Верхние 32 бита абсолютного значения нижнего порога для оповещения. Допустимые значения: от 0 до 4294967295. Значение по умолчанию: 0
<b>High Capacity Alarm Falling- Threshold Value Status</b>	Знак числа нижнего порога, определенного объектами hcAlarmRisingThresAbsValueLow и hcAlarmRisingThresAbsValueHigh. Возможные значения: valueNotAvailable, valuePositive, или valueNegative. По умолчанию: valuePositive
<b>High Capacity Alarm Rising Event Index</b>	Индекс объекта события eventEntry, используемого при пересечении верхнего порога. Допустимые значения: от 1 до 65535. Значение по умолчанию: 1.
<b>High Capacity Alarm Falling Event Index</b>	Индекс объекта события eventEntry, используемого при пересечении нижнего порога. Допустимые значения: от 1 до 65535. Значение по умолчанию: 2.
<b>High Capacity Alarm Owner</b>	Строка имени владельца, связанная с записью оповещения. Значение по умолчанию: monitorHCAIarm.

### *no rmon hcalarm*

Удаляет запись RMON hcalarm.

**Формат:** `no rmon hcalarm alarm number`

**Режим ввода команд:** глобальная конфигурация

### *rmon event*

Команда устанавливает запись объекта события RMON в таблице объектов событий RMON MIB.

**Формат:** `rmon event event number [description string|log|owner string|trap community]`

**Режим ввода команд:** глобальная конфигурация

<i>Параметр</i>	<i>Описание</i>
<b>Event Index</b>	Индекс, который однозначно определяет запись в таблице событий. Каждая запись определяет одно событие, которое должно быть сгенерировано при определенных условиях. Допустимые значения: от 1 до 65535.
<b>Event Description</b>	Комментарий, описывающий объект события. Значение по умолчанию: alarmEvent
<b>Event Type</b>	Тип уведомления о событии. Возможные значения: None, Log, SNMP Trap, Log и SNMP Trap. Значение по умолчанию: None.
<b>Event Owner</b>	Строка имени владельца, связанная с записью. Значение по умолчанию: monitorEvent.
<b>Event Community</b>	Строка SNMP-сообщества, используемого для отправки SNMP-трапа. Значение по умолчанию: public

### *no rmon event*

Удаляет запись объекта события RMON.

**Формат:** `no rmon event event number`

**Режим ввода команд:** глобальная конфигурация

### *rmon collection history*

Устанавливает параметры контроля сбора истории RMON в соответствующей MIB-таблице.



**Эта команда не поддерживается для диапазона интерфейсов. Каждая запись контроля сбора истории RMON может быть настроена только на одном интерфейсе. При попытке настройки на нескольких интерфейсах коммутатор выдает ошибку.**

**Формат:** `rmon collection history index number [buckets number|interval interval in sec|owner string]`

**Режим ввода команд:** конфигурирование интерфейса

<i>Параметр</i>	<i>Описание</i>
<b>History Control Index</b>	Индекс, который однозначно определяет запись в таблице historyControl. Каждая такая запись описывает ряд выборок по определенному интервалу для интерфейса на устройстве. Допустимые значения: от 1 до 65535.
<b>History Control Data Source</b>	Интерфейс источника, на котором собираются данные.
<b>History Control Buckets Requested</b>	Требуемое количество интервалов времени, для которых должны быть сохранены данные. Допустимые значения: от 1 до 65535. Значение по умолчанию: 50
<b>History Control Interval</b>	Интервал выборки данных в секундах. Допустимые значения: от 1 до 3600. Значение по умолчанию: 1800.
<b>History Control Owner</b>	Строка имени владельца, связанная с записью управления сбора истории. Значение по умолчанию: monitorHistoryControl.

### *no rmon collection history*

Эта команда удаляет запись с указанным индексом в группе управления сбора истории.

**Формат:** `no rmon collection history index number`

**Режим ввода команд:** конфигурирование интерфейса

### *show rmon*

Вывод записей таблицы оповещений RMON.

**Формат:** `show rmon {alarms | alarm alarm-index}`

**Режим ввода команд:** привилегированный

<i>Параметр</i>	<i>Описание</i>
<b>Alarm Index</b>	Индекс, который однозначно определяет запись в таблице оповещений. Каждая запись определяет диагностическую выборку по определенному интервалу времени для объекта на устройстве. Допустимые значения: от 1 до 65535.
<b>Alarm Variable</b>	Идентификатор объекта переменной для выборки. Допускаются только переменные, которые имеют тип примитивного целого числа ASN.1.
<b>Alarm Interval</b>	Интервал в секундах, по которому происходит выборка данных и их сравнение с нижним и верхним порогом. Допустимые значения: от 1 до 2147483647. Значение по умолчанию: 1.
<b>Alarm Absolute Value</b>	Значение измеряемой величины в прошлый период выборки. Объект — знаковое 32-разрядное значение, только для чтения.
<b>Alarm Rising Threshold</b>	Верхний порог для оповещения. Допустимые значения: от 2147483648 до 2147483647. Значение по умолчанию: 1.
<b>Alarm Rising Event Index</b>	Индекс объекта события eventEntry, использующегося при пересечении верхнего порога. Допустимые значения: от 1 до 65535. Значение по умолчанию: 1.
<b>Alarm Falling Threshold</b>	Нижний порог для оповещения. Допустимые значения: от 2147483648 до 2147483647. Значение по умолчанию: 1.
<b>Alarm Falling Event Index</b>	Индекс объекта события eventEntry, который используется при пересечении нижнего порога. Допустимые значения: от 1 до 65535. Значение по умолчанию: 2.
<b>Alarm Startup Alarm</b>	Оповещения, которые должны быть отправлены. Возможные значения: rising, falling или rising-falling. По умолчанию: rising-falling.
<b>Alarm Owner</b>	Строка имени владельца, связанная с записью оповещения. Значение по умолчанию: monitorAlarm

### *show rmon collection history*

Команда вывода записей таблицы управления сбора истории RMON.

**Формат:** `show rmon collection history [interfaces unit/slot/port]`

**Режим ввода команд:** привилегированный

<i>Параметр</i>	<i>Описание</i>
<b>History Control Index</b>	Индекс, который однозначно определяет запись в таблице historyControl. Каждая такая запись описывает ряд выборок по определенному интервалу для интерфейса на устройстве. Допустимые значения: от 1 до 65535
<b>History Control Data Source</b>	Интерфейс источника, на котором собираются данные.
<b>History Control Buckets Requested</b>	Требуемое количество интервалов времени, для которых должны быть сохранены данные. Допустимые значения: от 1 до 65535. Значение по умолчанию: 50.

<b>History Control Buckets Granted</b>	Количество интервалов времени, для которых будут сохранены данные. Объект - только для чтения. Значение по умолчанию: 10
<b>History Control Interval</b>	Интервал выборки данных в секундах. Допустимые значения: от 1 до 3600. Значение по умолчанию: 1800.
<b>History Control Owner</b>	Строка имени владельца, связанная с записью управления историей. Значение по умолчанию: monitorHistoryControl

### **show rmon events**

Команда выводит записи таблицы событий RMON.

**Формат:** show rmon events

**Режим ввода команд:** привилегированный

<b>Параметр</b>	<b>Описание</b>
<b>Event Index</b>	Индекс, который однозначно определяет запись в таблице событий. Каждая запись определяет одно событие, которое должно быть сгенерировано при определенных условиях. Допустимые значения: от 1 до 65535
<b>Event Description</b>	Комментарий, описывающий объект события. Значение по умолчанию: alarmEvent.
<b>Event Type</b>	Тип уведомления о событии. Возможные значения: None, Log, SNMP Trap, Log и SNMP Trap. Значение по умолчанию: None
<b>Owner</b>	Строка имени владельца, связанная с записью. Значение по умолчанию: monitorEvent
<b>Event Community</b>	Строка SNMP-сообщества, используемая для отправки SNMP-трапа. По умолчанию: public.
<b>Last time sent</b>	Время последней записи в журнале или последнего отправленного SNMP-трапа

### **show rmon history**

Команда отображает указанную запись таблицы истории RMON.

**Формат:** show rmon history *index* {errors [*period seconds*]|other [*period seconds*]|throughput [*period seconds*]}

**Режим ввода команд:** привилегированный

<b>Параметр</b>	<b>Описание</b>
<b>History Control Index</b>	Индекс, который однозначно определяет запись в таблице historyControl. Каждая такая запись описывает ряд выборок по определенному интервалу для интерфейса на устройстве. Допустимые значения: от 1 до 65535.
<b>History Control Data Source</b>	Интерфейс источника, на котором собираются данные
<b>History Control Buckets Requested</b>	Требуемое количество интервалов времени, для которых должны быть сохранены данные. Диапазон от 1 до 65535. Значение по умолчанию: 50.
<b>History Control Buckets Granted</b>	Количество интервалов дискретизации, для которых должны быть сохранены данные. Объект только для чтения. Значение по умолчанию: 10

<b>History Control Interval</b>	Интервал выборки данных в секундах. Допустимые значения: от 1 до 3600. Значение по умолчанию: 1800
<b>History Control Owner</b>	Строка имени владельца, связанная с записью управления сбора истории. Значение по умолчанию: monitorHistoryControl
<b>Maximum Table Size</b>	Максимальное количество записей в таблице истории
<b>Time</b>	Время, в которое сделана выборка, отображается в секундах
<b>CRC Align</b>	Количество ошибок CRC align.
<b>Undersize Packets</b>	Общее количество неполных пакетов. Пакеты длиной менее 64 октетов (без учёта межкадрового интервала, но с учетом октетов контрольной суммы пакета).
<b>Oversize Packets</b>	Общее количество пакетов избыточного размера. Пакеты длиной более, чем 1518 октетов (без учёта межкадрового интервала, но с учетом октетов контрольной суммы пакета).
<b>Fragments</b>	Общее количество фрагментированных пакетов. Пакеты, количество октетов в которых не целое, и пакеты с ошибочной контрольной суммой длиной менее 64 октетов (без учёта межкадрового интервала, но с учетом октетов контрольной суммы пакета).
<b>Jabbers</b>	Общее количество сбойных пакетов. Пакеты, количество октетов в которых не целое, и пакеты с ошибочной контрольной суммой длиной более 1518 октетов (без учёта межкадрового интервала, исключая кодирующие биты, но с учетом октетов контрольной суммы пакета).
<b>Octets</b>	Общее количество октетов, полученных на интерфейсе
<b>Packets</b>	Общее количество полученных пакетов (включая ошибочные пакеты) на интерфейсе
<b>Broadcast</b>	Общее количество широковещательных пакетов ошибок, принятых на интерфейсе
<b>Multicast</b>	Общее количество многоадресных пакетов без ошибок, принятых на интерфейсе.
<b>Util</b>	Утилизация интерфейса, в определенный момент времени.
<b>Dropped Collisions</b>	Общее количество отброшенных коллизий

### **show rmon log**

Эта команда отображает записи таблицы журнала RMON.

**Формат:** `show rmon log [event-index]`

**Режим ввода команд:** привилегированный

<b>Параметр</b>	<b>Описание</b>
<b>Maximum table size</b>	Максимальное количество записей, которые может содержать таблица журнала.
<b>Event</b>	Индекс объекта события, для которого создана запись в журнале
<b>Description</b>	Комментарий, описывающий объект события, для

	которой создана запись в журнале.
<b>Time</b>	Время создания события

### *show rmon statistics interfaces*

Вывод статистики RMON для заданного интерфейса.

**Формат:** `show rmon statistics interfaces unit/slot/port`

**Режим ввода команд:** привилегированный

<i>Параметр</i>	<i>Описание</i>
<b>Port</b>	Номер порта в формате unit/slot/port.
<b>Dropped</b>	Общее количество отброшенных пакетов на интерфейсе.
<b>Octets</b>	Общее количество октетов, полученных на интерфейсе.
<b>Packets</b>	Общее количество полученных пакетов (включая ошибочные пакеты) на интерфейсе.
<b>Broadcast</b>	Общее количество широковещательных пакетов без ошибок, принятых на интерфейсе.
<b>Multicast</b>	Общее количество многоадресных пакетов без ошибок, принятых на интерфейсе.
<b>CRC Align Errors</b>	Общее количество полученных пакетов длиной (без учёта межкадрового интервала, но с учетом октетов контрольной суммы) от 64 до 1518 октетов включительно.
<b>Collisions</b>	Общее количество коллизий на интерфейсе.
<b>Undersize Pkts</b>	Общее количество пакетов недостаточного размера. Пакеты длиной менее 64 октетов (без учёта межкадрового интервала, но с учетом октетов контрольной суммы пакета).
<b>Oversize Pkts</b>	Общее количество пакетов избыточного размера. Пакеты более 1518 октетов длиной (без учёта межкадрового интервала, но с учетом октетов контрольной суммы).
<b>Fragments</b>	Общее количество фрагментированных пакетов. Пакеты, количество октетов в которых не целое, и пакеты с ошибочной контрольной суммой длиной менее 64 октетов (без учёта межкадрового интервала, но с учетом октетов контрольной суммы пакета).
<b>Jabbers</b>	Общее количество сбойных пакетов. Пакеты, количество октетов в которых не целое, и пакеты с ошибочной контрольной суммой длиной более 1518 октетов (без учёта межкадрового интервала, исключая кодирующие биты, но с учетом октетов контрольной суммы пакета).
<b>64 Octets</b>	Общее количество пакетов длиной 64 октета (без учёта межкадрового интервала, но с учетом октетов контрольной суммы).
<b>65-127 Octets</b>	Общее количество пакетов длиной 65–127 октетов (без учёта межкадрового интервала, но с учетом октетов контрольной суммы).
<b>128-255 Octets</b>	Общее количество пакетов длиной 128–255 октетов (без учёта межкадрового интервала, но с учетом октетов контрольной суммы).

256-511 Octets	Общее количество пакетов длиной 256–511 октетов (без учёта межкадрового интервала, но с учетом октетов контрольной суммы).
512-1023 Octets	Общее количество пакетов длиной 512–1023 октетов (без учёта межкадрового интервала, но с учетом октетов контрольной суммы).
1024-1518 Octets	Общее количество пакетов длиной 1024–1518 октетов (без учёта межкадрового интервала, но с учетом октетов контрольной суммы).
HC Overflow Pkts	Количество переполнений счётчика пакетов.
HC Overflow Octets	Количество переполнений счётчика октетов.
HC Overflow Pkts 64 Octets	Количество переполнений счётчика пакетов HC длиной 64 октета.
HC Overflow Pkts 65 - 127 Octets	Количество переполнений счётчика пакетов длиной 65–127 октетов.
HC Overflow Pkts 128 - 255 Octets	Количество переполнений счётчика пакетов длиной 128–255 октетов.
HC Overflow Pkts 256 - 511 Octets	Количество переполнений счётчика пакетов длиной 256–511 октетов.
HC Overflow Pkts 512 - 1023 Octets	Количество переполнений счётчика пакетов длиной 512–1023 октетов.
HC Overflow Pkts 1024 - 1518 Octets	Количество переполнений счётчика пакетов длиной 1024–1518 октетов.

### **show rmon hcalarms**

Команда отображает записи таблицы оповещений RMON для объектов большой разрядности.

**Формат:** `show rmon {hcalarms|hcalarm alarm index}`

**Режим ввода команд:** привилегированный

<i>Параметр</i>	<i>Описание</i>
<b>High Capacity Alarm Index</b>	Индекс, который однозначно определяет запись оповещения. Допустимые значения: от 1 до 65535
<b>High Capacity Alarm Variable</b>	Идентификатор объекта переменной для выборки. Допускаются только переменные, которые имеют тип примитивного целого числа ASN.1.
<b>High Capacity Alarm Interval</b>	Интервал в секундах, по которому происходит выборка данных и их сравнение с нижним и верхним порогом. Допустимые значения: от 1 до 2147483647. Значение по умолчанию: 1.
<b>High Capacity Alarm Sample Type</b>	Метод выборки переменной и вычисления значения, которое будет сравниваться с порогами. Возможные типы: Absolute Value или Delta Value. По умолчанию: Absolute Value
<b>High Capacity Alarm Absolute Value</b>	Абсолютное значение (т.е. значение без знака) hcAlarmVariable переменной в прошлый период выборки. Значение не доступно, если период ещё не завершен. Объект — 64-разрядное значение без знака, только для чтения
<b>High Capacity Alarm Absolute Alarm Status</b>	Объект указывает знак числа переменной большой емкости (hcAlarmAbsValueobject). Возможные типы состояния: valueNotAvailable, valuePositive или valueNegative. По умолчанию: valueNotAvailable.
<b>High Capacity Alarm Startup Alarm</b>	Оповещение, которое должно быть отправлено. Возможные значения: rising, falling или



	rising-falling. По умолчанию: rising-falling.
<b>High Capacity Alarm Rising- Threshold Absolute Value Low</b>	Нижние 32 бита абсолютного значения верхнего порога для оповещения. Допустимые значения: от 0 до 4294967295. Значение по умолчанию: 1.
<b>High Capacity Alarm Rising- Threshold Absolute Value High</b>	Верхние 32 бита абсолютного значения верхнего порога для оповещения. Допустимые значения: от 0 до 4294967295. Значение по умолчанию: 0.
<b>High Capacity Alarm Rising- Threshold Value Status</b>	Знак числа верхнего порога, определенного объектами hcAlarmRisingThresAbsValueLow и hcAlarmRisingThresAbsValueHigh. Возможные значения: valueNotAvailable, valuePositive, или valueNegative. По умолчанию: valuePositive.
<b>High Capacity Alarm Falling- Threshold Absolute Value Low</b>	Нижние 32 бит абсолютного значения нижнего порога для оповещения. Допустимые значения: от 0 до 4294967295. Значение по умолчанию: 1.
<b>High Capacity Alarm Falling- Threshold Absolute Value High</b>	Верхние 32 бит абсолютного значения нижнего порога для оповещения. Допустимые значения: от 0 до 4294967295. Значение по умолчанию: 0.
<b>High Capacity Alarm Falling- Threshold Value Status</b>	Знак числа нижнего порога, определенного объектами hcAlarmRisingThresAbsValueLow и hcAlarmRisingThresAbsValueHigh. Возможные значения: valueNotAvailable, valuePositive, или valueNegative. По умолчанию: valuePositive.
<b>High Capacity Alarm Rising Event Index</b>	Индекс объекта события eventEntry, используемого при пересечении верхнего порога. Допустимые значения: от 1 до 65535. Значение по умолчанию: 1.
<b>High Capacity Alarm Falling Event Index</b>	Индекс объекта события eventEntry, используемого при пересечении нижнего порога. Допустимые значения: от 1 до 65535. Значение по умолчанию: 2
<b>High Capacity Alarm Failed Attempts</b>	Сколько раз переменная hcAlarmVariable был опрошена, но значение было недоступно. 32-разрядный счетчик, только для чтения.
<b>High Capacity Alarm Owner</b>	Строка имени владельца, связанная с записью оповещения. Значение по умолчанию: monitorHCArm.
<b>High Capacity Alarm Storage Type</b>	Тип энергонезависимой памяти, настроенной для этой записи. Объект только для чтения. Значение по умолчанию: volatile

## 5.20 Управление приложением статистики

Приложение статистики дает возможность запрашивать статистику утилизации порта, статистику на основе потока или статистику приема пакетов в программируемых временных интервалах. Приложение статистики собирает данные в настраиваемом диапазоне времени. Можно определить номер (номера) порта или диапазон портов для сбора статистики. Настраиваемый диапазон времени применяется ко всем портам. Подробная статистика собирается в диапазон

времени, указанный в формате даты и времени. Вы можете определить диапазон времени как абсолютное время начала и конца или как повторяющийся период. Например, можно указать, чтобы статистика была собрана и отображена между 9:00 12 НОЯ 2011 (START) и 21:00 12 НОЯ 2012 (END) или запланировать сбор на каждые Пн, Ср, Пт 9:00 (START) до 21:00 (END).

Получить статистику можно одним из способов:

- Запросить в CLI набор счетчиков.
- Настроить устройство для отправки статистики, используя протокол syslog или электронную почту. Сообщения протокола syslog или электронной почты отправляются приложением статистики в момент окончания заданного периода времени (END).

Можно настроить устройство для отображения статистики в консоли. Собранная статистика выводится в консоли в момент окончания заданного периода времени (END).

### **stats group**

Команда создает новую группу для определенного идентификатора или имени и настраивает временной диапазон и механизм отчетности для данной группы.

**Формат:** `stats group group id|name timerange time range name reporting list of reporting methods`

**Режим ввода команд:** глобальная конфигурация

<i>Параметр</i>	<i>Описание</i>
<b>group ID, name</b>	Имя группы статистических данных или ее идентификатор для применения на интерфейсе. Возможные варианты: <ul style="list-style-type: none"> <li>• received</li> <li>• received-errors</li> <li>• transmitted</li> <li>• transmitted-errors</li> <li>• received-transmitted</li> <li>• port-utilization</li> <li>• congestion</li> </ul> Значение по умолчанию: отсутствует
<b>time range name</b>	Имя интервала для группы или правила на основе потока. Диапазон: от 1 до 31 буквенно-цифровых символов. Значение по умолчанию: отсутствует
<b>list of reporting methods</b>	Метод отправки сообщений статистики. Возможные значения: <ul style="list-style-type: none"> <li>• none</li> <li>• console</li> <li>• syslog</li> <li>• e-mail</li> </ul> Значение по умолчанию: отсутствует.

### **stats flow-based**

Эта команда настраивает правило сбора статистики на основе потока с указанными параметрами и временным диапазоном. В качестве IP-адреса источника и IP-адреса назначения можно указывать только адрес IPv4.

**Формат:** `stats flow-based rule-id timerange time range name [{srcip ip-address} {dstip ip-address} {srcmac mac-address} {dstmac mac-address} {srctcport portid} {dsttcport portid} {srcudpport portid} {dstudpport portid}]`

**Режим ввода команд:** глобальная конфигурация

Параметр	Описание
rule ID	Идентификатор правила сбора статистики на основе потока. Допустимые значения: от 1 до 16. Значение по умолчанию: отсутствует
time range name	Название временного интервала для группы или правила сбора статистики на основе потока. Диапазон: от 1 до 31 буквенно-цифровых символов. Значение по умолчанию: отсутствует.
srcip ip-address	IP-адрес источника
dstip ip-address	IP-адрес назначения
srcmac mac-address	MAC-адрес источника
dstmac mac-address	MAC-адрес назначения
srctcport portid	Номер TCP-порта источника
dsttcport portid	Номер TCP-порта назначения
srcudpport portid	Номер UDP-порта источника
dstudpport portid	Номер UDP-порта назначения

### *no stats flow-based*

Команда удаляет правило сбора статистики на основе потока.

**Формат:** `stats flow-based rule-id`

**Режим ввода команд:** глобальная конфигурация

### *stats flow-based reporting*

Команда настраивает механизм создания отчетов для всех правил сбора статистики на основе потока в системе. Отдельных механизмов создания отчетов для каждого правила не предусмотрено. Если метод установлен как **none**, все методы отчета сбрасываются.

**Формат:** `stats flow-based reporting list of reporting methods`

**Режим ввода команд:** глобальная конфигурация

### *stats group*

Эта команда применяет указанную группу к интерфейсу или диапазону интерфейсов.

**Формат:** `stats group <group id | name>`

**Режим ввода команд:** конфигурирование интерфейса

Параметр	Описание
group id	Уникальный идентификатор группы
name	Имя группы

### *no stats group*

Эта команда удаляет указанную группу на интерфейс или диапазон интерфейсов.

**Формат:** `no stats group <group id | name>`

**Режим ввода команд:** конфигурирование интерфейса

### ***stats flow-based***

Эта команда применяет указанное правило сбора статистики на основе потока с заданным идентификатором к интерфейсу или диапазону интерфейсов.

**Формат:** `stats flow-based <rule-id>`

**Режим ввода команд:** конфигурирование интерфейса

<i>Параметр</i>	<i>Описание</i>
<b>rule-id</b>	Уникальный идентификатор правила сбора статистики на основе потока

### ***no stats flow-based***

Команда удаляет правило сбора статистики на основе потока с интерфейса или диапазона интерфейсов.

### ***show stats group***

Команда отображает настроенный диапазон времени и список интерфейсов для определенной группы, а также выводит собранную статистику для этого списка интерфейсов по истечении заданного времени.

**Формат:** `show stats group <group id | name>`

**Режим ввода команд:** привилегированный

<i>Параметр</i>	<i>Описание</i>
<b>group id</b>	Уникальный идентификатор группы
<b>name</b>	Имя группы

### ***show stats flow-based***

Данная команда отображает настроенный диапазон времени, параметры правила сбора статистики на основе потока и список интерфейсов для него.

**Формат:** `show stats flow-based rule-id|all`

**Режим ввода команд:** привилегированный

Параметр	Описание
<b>rule-id</b>	Уникальный идентификатор правила сбора статистики на основе потока

## **5.21 Команды для резервирования конфигурации**

В данном разделе описаны команды, предназначенные для настройки резервирования конфигурации по таймеру или при сохранении текущей конфигурации на flash-накопителе.

### ***backup url <url>***

С помощью этой команды задаётся протокол, адрес сервера, путь на сервере и префикс файла для записи конфигурации на удаленном сервере.

---

<b>Значение по умолчанию</b>	Выключено
<b>Формат</b>	backup url <tftp://<ipaddr>/<filepath>/<filename>>
<b>Режим ввода команды</b>	Режим глобальной конфигурации

*no backup url <url>*

Отключить запись конфигурации на удаленном сервере.

<b>Формат</b>	backup url <tftp://<ipaddr>/<filepath>/<filename>>
<b>Режим ввода команды</b>	Режим глобальной конфигурации

### ***backup time-period***

С помощью этой команды задается промежуток времени, по истечении которого будет осуществляться автоматическое резервирование конфигурации.

<b>Значение по умолчанию</b>	720 min
<b>Формат</b>	backup time-period <i>period</i>
<b>Режим ввода команды</b>	Режим глобальной конфигурации

### ***backup auto***

Данная команда включает автоматическое резервирование конфигурации.

<b>Значение по умолчанию</b>	Выключено
<b>Формат</b>	backup auto
<b>Режим ввода команды</b>	Режим глобальной конфигурации

### ***backup write-memory***

Данная команда включает резервирование конфигурации при сохранении пользователем конфигурации на flash-накопитель.

<b>Значение по умолчанию</b>	Выключено
<b>Формат</b>	backup write-memory
<b>Режим ввода команды</b>	Режим глобальной конфигурации

## 6 КОМАНДЫ РЕЖИМА СТЕКИРОВАНИЯ

В этой главе описываются команды стекирования, доступные в CLI.



Команды этого раздела делятся на 2 функциональные группы:

- Команды просмотра оперативного состояния (команды `show`) отображают настройки коммутации, статистику и другую информацию.
- Команды конфигурации настраивают функции и параметры коммутатора. Каждой команде конфигурации соответствует команда `show`, которая показывает настройки конфигурации.



Главный юнит (мастер, ведущий юнит) - юнит, управляющий стеком.

### 6.1 Стекирование

В данном разделе описаны команды настройки стекирования через выделенные интерфейсы.

#### ***stack***

Эта команда осуществляет переход в режим настройки стека (Stack Global Config).

**Формат** `stack`  
**Режим ввода команд** Режим глобальной конфигурации

#### ***member***

Эта команда настраивает коммутатор. Параметр `Unit` – идентификатор коммутатора, который требуется добавить/удалить из стека. Параметр `Switchindex` – индекс в базе данных поддерживаемых типов устройств, указывающий тип предварительно сконфигурированного коммутатора. Индекс коммутатора – 32-битное целое число. Эта команда выполняется на ведущем юните.

**Формат** `member unit switchindex`  
**Режим ввода команд** Режим глобальной конфигурации стека



Индекс коммутатора может быть получен путем выполнения команды `show supported switchtype`.

## *no member*

Эта команда удаляет коммутатор из стека. Параметр *Unit* – идентификатор коммутатора, который надо удалить из стека. Эта команда выполняется на ведущем юните.

**Формат** `no member unit`  
**Режим ввода команд** Режим глобальной конфигурации

## ***switch priority***

Эта команда настраивает способность коммутатора работать в качестве мастер-юнита. Параметр *Unit* – идентификатор коммутатора. *Value* – параметр предпочтения, который позволяет пользователю задать приоритет резервного коммутатора. Диапазон значений: 1-15. Если активный мастер-юнит перестает работать, то взамен выбирается коммутатор с самым высоким приоритетом. Приоритетом по умолчанию является аппаратный приоритет устройства со значением 1. Коммутаторы, у которых нет аппаратной возможности стать ведущим юнитом, не могут получить право на управление.



**После перезагрузки стека коммутаторов мастер-юнитом станет коммутатор с наибольшим значением *priority*.**

**Значение по умолчанию** 1  
**Формат** `switch unit priority value`  
**Режим ввода команд** Режим глобальной конфигурации

## ***switch renumber***

Эта команда изменяет идентификатор коммутатора в стеке. *Oldunit* – текущий идентификатор коммутатора, значение которого необходимо изменить. *Newunit* – обновленное значение идентификатора коммутатора. После выполнения коммутатор будет настроен в соответствии с конфигурационной информацией для нового коммутатора, если таковая имеется. Старая информация о конфигурации коммутатора будет сохранена, однако старый коммутатор будет отключен. Эта команда выполняется на ведущем юните.



**Если юнит управления перенумерован, то текущая конфигурация становится недействительной (т.е. стек работает, как при обнуленной конфигурации).**

**Формат** `switch oldunit renumber newunit`  
**Режим ввода команд** Режим глобальной конфигурации

## ***movemanagement***

Эта команда передает функции главного юнита от одного коммутатора к другому. *Fromunit* – идентификатор текущего мастера. *Tounit* – идентификатор нового мастера. После выполнения команды происходит перенастройка конфигурацией с нового мастера. После завершения рестарта все управление стеком должно происходить через новый мастер-юнит. Чтобы сохранить текущую конфигурацию при перенастройке конфигурации стека, выполните команду `copy system:running-config nvram:startup-config` (в привилегированном режиме) прежде, чем выполнить смену мастера.

При смена мастера все L3-маршруты и записи в MAC-таблице удаляются. Эта команда выполняется на главном юните. Система предложит Вам подтвердить выполнение данной команды.

**Формат** `movemanagement fromunit tounit`

**Режим ввода команд** Режим глобальной конфигурации стека

### **standby**

Используйте эту команду, чтобы сконфигурировать устройство как резервный юнит (Standby Management Unit, STBY).



**Резервный юнит не может быть обычным устройством. Резервный юнит должен поддерживать возможность управления стеком.**

**Формат** `standby unit number`

**Режим ввода команд** Режим глобальной конфигурации стека

<i>Параметр</i>	<i>Описание</i>
<b>Standby Management Unit Number</b>	Указывает номер юнита, который должен стать резервным юнитом. Параметр <b>Unit number</b> должен содержать допустимое значение номера юнита.

### *no standby*

Отрицательная форма этой команды позволяет приложению запускать алгоритм автоматического назначения резервного юнита.

**Формат** `no standby`

**Режим ввода команд** Режим глобальной конфигурации стека

### **slot**

Эта команда конфигурирует слот в системе. *Unit/slot* – идентификатор слота. *Cardindex* – индекс в базе данных поддерживаемых типов карты, указывающий тип карты, предварительно сконфигурированной в указанном слоте. Индекс карты – 32-битное целое число. Если карта в настоящее время находится в не сконфигурированном слоте, её конфигурация будет удалена, и слот будет переконфигурирован с информацией для карты по умолчанию.

**Формат** `slot unit/slot cardindex`

**Режим ввода команд** Режим глобальной конфигурации



**Индекс карты может быть получен путем выполнения команды *show supported cardtype*.**



## *no slot*

Команда удаляет конфигурацию из существующего в системе слота.

**Формат** `no slot unit/slot cardindex`  
**Режим ввода команд** Режим глобальной конфигурации



Индекс карты может быть получен путем выполнения команды *show supported cardtype*.

## ***set slot disable***

Эта команда конфигурирует административный режим слота (слотов). При указании [all], команда применяется ко всем слотам, иначе команда применяется только к слоту, идентифицированному с помощью *unit/slot*.

Если карта или другой модуль находятся в слоте, то административный режим будет применен ко всему содержимому слота. Если слот пуст, административный режим будет применен к любому вставленному в слот модулю. Если карта отключена, все порты на устройстве оперативно отключаются и отображаются на экране как “unplugged”.

**Формат** `set slot disable [unit/slot] | all]`  
**Режим ввода команд** Режим глобальной конфигурации

## *no set slot disable*

Эта команда реконфигурирует административный режим слота (слотов). При указании [all], команда применяется ко всем слотам, иначе команда применяется к слоту, идентифицированному с помощью *unit/slot*.

Если карта или другой модуль находятся в слоте, то административный режим реконфигурирует содержание слота. Если слот пуст, административный режим удалит конфигурацию из любого модуля в слоте. Если карта отключена, все порты на устройстве отключаются и отображаются на экране как “unplugged”.

**Формат** `no set slot disable [unit/slot] | all]`  
**Режим ввода команд** Режим глобальной конфигурации

## ***set slot power***

Эта команда конфигурирует режим питания слота (слотов) и разрешает подачу энергии на расположенную в слоте карту. Если Вы укажете all, команда будет выполнена для всех слотов, если нет, она будет применена к слоту, указанному *unit/slot*.

Используйте эту команду при установке или удалении карт. Если карта или другой модуль находятся в слоте, режим питания применяется к содержанию слота. Если слот пуст, режим питания применится к любой карте, вставленной в слот.

**Формат** `set slot power [unit/slot] | all]`  
**Режим ввода команд** Режим глобальной конфигурации

## *no set slot power*

Эта команда возвращает на исходные значения режим питания слота (слотов) и запрещает подачу энергии на расположенную в слоте карту. Если Вы укажете `all`, команда отключит подачу энергии для всех слотов. Если нет, то подача энергии будет отключена только для слота, указанного в формате `unit/slot`.

Используйте эту команду при установке или удалении карт. Если карта или другой модуль находятся в слоте, отключение питания применится ко всему содержимому слота. Если слот пуст, отключение питания применится к любой карте, вставленной в слот.

**Формат** `no set slot power [unit/slot] | all]`

**Режим ввода команд** Режим глобальной конфигурации

## *reload (Stack)*

Эта команда перезагружает весь стек или конкретный юнит с номером `unit`. `Unit`-идентификатор коммутатора. Система запросит подтверждение на перезагрузку коммутатора.

**Формат** `reload [unit]`

**Режим ввода команд** Привилегированный режим

## *stack-status sample-mode*

Эта команда используется для конфигурирования объема выборки режима управления глобальным состоянием. Параметры объема выборки режима применяются глобально ко всем модулям в стеке. Объем выборки данной операции по умолчанию – накопительное суммирование.



Эта команда конфигурации реализована как часть функциональности обслуживания и, следовательно, не рассчитана на постоянное использование при рестартах. Эта конфигурация никогда не отображается в текущей конфигурации. Пользователь должен самостоятельно переключать демонстрационный режим. Эта конфигурация применима ко всем устройствам, которые включены в стек при запуске команды. Эта конфигурация не воспроизводится на картах, которые присоединяются к стеку после выполнения команды.

**Значение по умолчанию** Cumulative Summing

**Формат** `stack-status sample-mode {cumulative | history} [max-samples 100 - 500]`

**Режим ввода команд** Режим глобальной конфигурации стека

<i>Ключевые слова</i>	<i>Описание</i>
sample-mode	Режим выборки
cumulative	Отслеживает сумму накопления полученных смещений временной метки.
history	Отслеживает историю полученных смещений временной метки
max-samples	Максимальное количество выборок для сохранения

## *show slot*

Эта команда отображает информацию по всем слотам, либо по отдельному слоту в системе.

<b>Формат</b>	<code>show slot [unit/slot]</code>
<b>Режим ввода команд</b>	Пользовательский режим Привилегированный режим

<i>Параметр</i>	<i>Описание</i>
<b>Slot</b>	Идентификатор слота в формате <i>unit/slot</i> .
<b>Slot Status</b>	Слот пуст, занят или обнаружена ошибка
<b>Admin State</b>	Административный режим слота включен/выключен.
<b>Power State</b>	Режим питания слота включен /выключен.
<b>Configured Card Model Identifier</b>	Идентификатор модели карты предварительно сконфигурированной в слоте. Идентификатор модели – строка длиной в 32 символа, используемая для идентификации карты.
<b>Pluggable</b>	Карты в слоте подключаемые или нет.
<b>Power Down</b>	Указывает, может ли слот быть выключен.

Если вы укажете значение для *unit/slot*, появится следующая дополнительная информация:

<i>Параметр</i>	<i>Описание</i>
<b>Inserted Card Model Identifier</b>	Идентификатор модели карты, вставленной в слот. Идентификатор модели - строка длиной в 32 символа, используемая для идентификации карты. Поле выводится на экран, только если слот заполнен.
<b>Inserted Card Description</b>	Описание карты. Поле выводится на экран, только если слот заполнен.
<b>Configured Card Description</b>	Полудуплекс 10BASE-T

### ***show stack-status***

Используйте эту команду, чтобы вывести на экран таймеры полученных НВ-сообщений и статистику сбросов/потерь для указанного юнита стека.

<b>Формат</b>	<code>show stack stack-status [1-n   all] [clear]</code>
<b>Режим ввода команд</b>	Привилегированный режим

<i>Ключевые слова</i>	<i>Описание</i>
Current	Текущее время приема сообщения heartbeat
Average	Среднее время приема сообщения heartbeat
Min	Минимальное время приема сообщения heartbeat
Max	Максимальное время приема сообщения heartbeat
Dropped	Счетчик удаления/потерь сообщений heartbeat

### ***show supported cardtype***

Эта команда выводит на экран информацию обо всех типах карт или определенных типах карт, поддерживаемых в системе.

**Формат** `show supported cardtype [cardindex]`

**Режим ввода команд** Пользовательский режим  
Привилегированный режим

Если не указано значение для *cardindex*, то будет выведена следующая информация:

Параметр	Описание
<b>Card Index (CID)</b>	Индекс в базе данных поддерживаемых типов карт. Этот индекс используется при предварительном конфигурировании слота.
<b>Card Model Identifier</b>	Идентификатор модели для поддерживаемого типа карты.

Если Вы указываете значение для *cardindex*, будет выведена следующая информация:

Параметр	Описание
<b>Card Type</b>	32-разрядный числовой тип карты.
<b>Model Identifier</b>	Идентификатор модели для поддерживаемого типа карты.
<b>Card Description</b>	Описание для поддерживаемого типа карты.

### **show switch**

Эта команда выводит информацию о состоянии всех юнитов в стеке или для одного заданного юнита.

**Формат** `show switch [unit]`

**Режим ввода команд** Привилегированный режим

Параметр	Описание
<b>Switch</b>	Идентификатор юнита, присвоенный данному коммутатору.

Если Вы не указываете значение для *unit*, выводится следующая информация:

Параметр	Описание
<b>Management Status</b>	Указывает, является ли коммутатор главным юнитом, подчиненным, сконфигурированным резервным юнитом, оперативным резервным юнитом или состояние не определено.
<b>Preconfigured Model Identifier</b>	Идентификатор модели предварительно сконфигурированного коммутатора, готового присоединиться к стеку. Идентификатор модели – строка длиной 32 символа, присвоенная устройству производителем для идентификации.
<b>Plugged-In Model Identifier</b>	Идентификатор модели коммутатора в стеке. Идентификатор модели – строка длиной 32 символа, присвоенная устройству производителем для идентификации.
<b>Switch Status</b>	Состояние коммутатора. Возможные значения для этого состояния: <b>OK</b> , <b>Unsupported</b> , <b>Code Mismatch</b> , <b>SDM Mismatch</b> , <b>Config Mismatch</b> , или <b>Not Present</b> . Несоответствие ( <b>Mismatch</b> ) указывает, что на юните стека версия ПО, шаблон SDM или конфигурация отличаются от той/того, что на главном юните. <b>SDM Mismatch</b> указывает, что юнит присоединился к стеку, но на нем выполняется другой шаблон SDM, нежели на главном юните. Это состояние временное; юнит стека должен автоматически перезапуститься, используя шаблон SDM, выполняющийся на мастер-юните. Если в данный момент выполняется процедура синхронизации ПО в стеке (SFS), то состояние отображается как <b>Updating Code</b> .

<b>Code Version</b>	Версия ПО на данном коммутаторе.
---------------------	----------------------------------

Когда Вы указываете значение для *unit*, появляется следующая информация.

<b>Параметр</b>	<b>Описание</b>
<b>Management Status</b>	Указывает, является ли коммутатор главным юнитом, подчиненным или состояние не присвоено.
<b>Hardware Management Preference</b>	Аппаратный приоритет устройства в стеке. Может быть отключено или не присвоено.
<b>Admin Management Preference</b>	Настраиваемый приоритет устройства в стеке. Указывает, с какой вероятностью коммутатор будет выбран в качестве главного юнита.
<b>Switch Type</b>	32-разрядный числовой тип коммутатора.
<b>Model Identifier</b>	Идентификатор модели для этого коммутатора. Идентификатор модели - поле с 32 символами, присвоенное устройству производителем для идентификации.
<b>Switch Status</b>	Состояние коммутатора. Возможные значения: OK, Unsupported, Code Mismatch, SDM Mismatch, Config Mismatch, или Not Present.
<b>Switch Description</b>	Описание коммутатора.
<b>Expected Code Type</b>	Ожидаемый тип ПО.
<b>Expected Code Version</b>	Ожидаемая версия ПО.
<b>Detected Code Version</b>	Текущая версия ПО на этом коммутаторе. Если юнита нет в системе и его предварительная конфигурация отсутствует, то версия кода отображается как "None".
<b>Detected Code in Flash</b>	Версия ПО, которое в настоящее время хранится во флэш-памяти коммутатора. Этот код выполняется после сброса коммутатора. Если юнита нет в системе и его предварительная конфигурация отсутствует, то версия отображается как "None".
<b>SFS Last Attempt Status</b>	Состояние синхронизации ПО с момента последнего подключения юнита к стеку.
<b>Serial Number</b>	Порядковый номер для заданного юнита.
<b>Up Time</b>	Время работы системы.

### ***show supported swichtype***

Эта команда выводит информацию обо всех поддерживаемых типах коммутатора или определенном типе коммутатора.

**Формат** `show supported swichtype [switchindex]`

**Режим ввода команд** Пользовательский режим  
Привилегированный режим

Если Вы указываете значение для *switchindex*, появляются следующие данные:

<b>Параметр</b>	<b>Описание</b>
<b>Switch Index (SID)</b>	Индекс в базе данных поддерживаемых типов коммутатора. Этот индекс используется при предварительном конфигурировании элемента для добавления в стек.
<b>Model Identifier</b>	Идентификатор модели для поддерживаемого типа коммутатора.

<b>Management Preference</b>	Значение предпочтения управления стеком для данного типа коммутатора.
<b>Code Version</b>	Идентификатор приемника загрузки кода данного типа коммутатора.

Если Вы указываете значение для *switchindex*, появляются следующие данные:

<i>Параметр</i>	<i>Описание</i>
<b>Switch Type</b>	32-разрядный числовой тип для поддерживаемого коммутатора.
<b>Model Identifier</b>	Идентификатор модели для поддерживаемого типа коммутатора.
<b>Switch Description</b>	Описание для поддерживаемого типа коммутатора

## 6.2 Команды настройки стек-портов

В этом разделе описаны команды просмотра и конфигурирования информации о стек-порте.

### *stack-port*

Эта команда переводит заданный порт / группу портов в стековый (*stack*) либо стандартный (*ethernet*) режим.

<b>Значение по умолчанию</b>	stack
<b>Формат</b>	stack-port <i>unit/slot/port</i> [{ethernet   stack}]
<b>Режим ввода команд</b>	Режим глобальной конфигурации стека

### *show stack-port*

Эта команда выводит на экран полную информацию о стек-порте для всех интерфейсов.

<b>Формат</b>	show stack-port
<b>Режим ввода информации</b>	Привилегированный режим

Для каждого интерфейса:

<i>Параметр</i>	<i>Описание</i>
<b>Unit</b>	Номер юнита.
<b>Interface</b>	Номера слота и порта.
<b>Configured Stack Mode</b>	Сконфигурированный режим работы порта (стековый или стандартный).
<b>Running Stack Mode</b>	Текущий режим работы порта (стековый или стандартный).
<b>Link Status</b>	Состояние соединения.
<b>Link Speed</b>	Скорость (Гбит/с) соединения стек порта.

### *show stack-port counters*

Эта команда выводит на экран полную информацию счетчика данных для всех интерфейсов.

<b>Формат</b>	show stack-port counters [ <i>1-n</i>   all]
---------------	--

<i>Параметр</i>	<i>Описание</i>
<b>Unit</b>	Номер юнита.
<b>Interface</b>	Номера слота и порта.
<b>Tx Data Rate</b>	Скорость передачи данных (мегабит в секунду).
<b>Tx Error Rate</b>	Количество ошибок передачи в секунду (зависит от аппаратной платформы).
<b>Tx Total Errors</b>	Количество ошибок передачи (зависит от аппаратной платформы).
<b>Rx Data Rate</b>	Скорость приема данных (мегабит в секунду).
<b>Rx Error Rate</b>	Количество ошибок приёма в секунду (зависит от аппаратной платформы).
<b>Rx Total Errors</b>	Количество ошибок передачи (зависит от аппаратной платформы).
<b>Link Flaps</b>	Количество поднятий/падений для данного соединения с момента загрузки системы.

### ***show stack-port diag***

Команда отображает диагностику каждого стек порта и предназначена только для инженеров технической поддержки (FAE) и разработчиков. Инженер проконсультирует Вас по вопросам необходимости выполнения этой команды и интерпретации отображаемой информации. В подробном режиме отображаются: статистика и счетчики для RPC, транспорта, CPU и модулей RX/TX.

**Формат** `show stack-port diag [1-n | all] [verbose]`

**Режим ввода команд** Привилегированный режим

<i>Параметр</i>	<i>Описание</i>
<b>Unit</b>	Номер юнита.
<b>Interface</b>	Номера слота и порта.
<b>Diagnostic Entry1</b>	Строка из 80 символов, используемая для диагностики.
<b>Diagnostic Entry2</b>	Строка из 80 символов, используемая для диагностики.
<b>Diagnostic Entry3</b>	Строка из 80 символов, используемая для диагностики.
<b>TBYT</b>	Переданные байты
<b>TPKT</b>	Переданные пакеты
<b>TFCS</b>	Счетчик переданных пакетов с ошибкой FCS
<b>TERR</b>	Счетчик ошибок передачи данных (установленный системой)
<b>RBYT</b>	Принятые байты
<b>RPKT</b>	Принятые пакеты
<b>RFCS</b>	Счетчик принятых пакетов с ошибкой FCS (FCS Error Frame)
<b>RFRG</b>	Счетчик принятых фрагментов данных (Fragment)
<b>RJBR</b>	Счетчик принятых пакетов Jabber
<b>RUND</b>	Счетчик принятых уменьшенных пакетов (Undersize)

<b>ROVR</b>	Счетчик принятых увеличенных пакетов (Oversized)
<b>RUNT</b>	Счетчик принятых RUNT-пакетов

### ***show stack-port stack-path***

Показать маршрут, по которому пакет будет доставлен до адреса назначения.

**Формат** `show stack-port stack-path {1-8 | all}`

**Режим ввода команд** Привилегированный режим

## **6.3 Команды синхронизации ПО в стеке**

Команды синхронизации ПО в стеке (Stack Firmware Synchronization, SFS) позволяют автоматически синхронизировать ПО всех юнитов стека. Если присоединяющийся к стеку юнит имеет ПО иной версии, чем главный юнит, SFS обновляет или откатывает версию его ПО. Стек синхронизируется по главному юниту, а не по самой свежей версии в стеке.

### ***boot auto-copy-sw***

Используйте эту команду, чтобы включить опцию SFS в данном стеке.

**Значение по умолчанию** Выключено

**Формат** `boot auto-copy-sw`

**Режим ввода команды** Привилегированный режим

### ***no boot auto-copy-sw***

Выключить опцию SFS в данном стеке

**Формат** `no boot auto-copy-sw`

**Режим ввода команд** Привилегированный режим

### ***boot auto-copy-sw trap***

Включить отправку SNMP-трапов при включенной опции SFS.

**Значение по умолчанию** Включено

**Формат** `boot auto-copy-sw trap`

**Режим ввода команд** Привилегированный режим

### ***no boot auto-copy-sw trap***

Выключить отправку SNMP-трапов при включенной опции SFS.

**Формат** `no boot auto-copy-sw trap`

**Режим ввода команд** Привилегированный режим



### ***boot auto-copy-sw allow-downgrade***

Разрешить главному юниту стека откатывать версию ПО другого юнита в данном стеке до версии, установленной на главном юните, если версия ПО главного юнита является более старой.

<b>Значение по умолчанию</b>	Включено
<b>Формат</b>	boot auto-copy-sw allow-downgrade
<b>Режим ввода команд</b>	Привилегированный режим

### ***no boot auto-copy-sw allow-downgrade***

Запретить ведущему юниту стека откатывать версию ПО другого юнита.

<b>Формат</b>	no boot auto-copy-sw allow-downgrade
<b>Режим ввода команд</b>	Привилегированный режим

### ***show auto-copy-sw***

Вывести информацию о конфигурации SFS.

<b>Формат</b>	show auto-copy-sw
<b>Режим ввода команд</b>	Привилегированный режим

<i>Параметр</i>	<i>Описание</i>
<b>Synchronization</b>	Показывает, включена ли опция SFS
<b>SNMP Trap Status</b>	Будет ли стек отправлять SNMP-трапы при включенной опции SFS.
<b>Allow Downgrade</b>	Разрешено ли главному юниту стека откатывать аппаратное ПО других членов стека

### ***Команды безостановочной обработки трафика (NSF)***

Коммутатор может быть представлен тремя связанными уровнями: уровень пересылки, уровень контроля и уровень управления. На уровне пересылки происходит обработка и пересылка пакетов данных. Эта задача реализуется аппаратными средствами. Уровень контроля – это набор протоколов, определяющих, каким образом происходит пересылка пакетов, какие пакеты и куда разрешено отправлять. ПО на главном юните выполняет роль уровня контроля. Уровень управления – это ПО, работающее на главном юните и предоставляющее системному администратору средства для настройки и мониторинга состояния устройства.

Безостановочная пересылка (Nonstop Forwarding, NSF) позволяет уровню пересылки всех юнитов стека поддерживать передачу данных даже при сбоях на уровнях контроля и управления из-за отключения питания, отказа аппаратного или программного обеспечения юнита. Аварийное переключение при безостановочной пересылке также может быть настроено вручную с помощью команды *initiate failover*. Входящие и исходящие потоки трафика, передаваемые через физические порты подчинённых юнитов, будут восстановлены менее чем через секунду после сбоя на главном юните.

Для подготовки резервного юнита для обхода отказа, приложения на основном юните регулярно создают контрольные точки, сохраняя определенную информацию о состоянии основного юнита на резервный юнит. Изменения в конфигурации автоматически копируются на

резервный юнит. При срабатывании механизма обхода отказа MAC-таблица не очищается, поэтому нет необходимости заново изучать их.

Когда срабатывает функция обхода отказа при NSF, уровень контроля на резервном юните начинает работу из частично инициализированного состояния и восстанавливает состояние, сохраненное в контрольных точках. В то время как происходит инициализация уровня контроля, стек не реагирует на внешние изменения, в том числе изменения топологии сети. Как только уровень контроля полностью вступает в работу на резервном юните, он выполняет проверку того, что состояние всех аппаратных таблиц обновилось как нужно. Время полного восстановления функционала уровня контроля зависит от размера стека, сложности конфигурации и скорости центрального процессора.

При обходе отказа происходит перезапуск уровня управления. Сессии управления необходимо установить заново.

Для эффективной работы NSF смежные сетевые устройства не должны перенаправлять трафик в обход перезагружающегося устройства. ПО использует три алгоритма решения проблемы переадресации трафика:

1. Протокол может распределить часть своей работы по другим устройствам стека, таким образом, протокол будет действовать и во время перезапуска. Этот алгоритм используется протоколом STP и при агрегировании каналов.
2. Протокол может использовать соседние устройства посредством алгоритма мягкого перезапуска (сервис Graceful Restart). Протокол OSPF использует сервис Graceful Restart, если эта опция включена.
3. Протокол может просто запуститься заново после обхода отказа, если соседние устройства реагируют слишком медленно и есть вероятность, что они не зафиксируют сбой. В качестве примера можно привести IP-протоколы многоадресной маршрутизации.

Для наибольшей эффективности NSF соединения с соседями 2-го уровня следует устанавливать через группы портов LAG, охватывающие два или более устройства стека, а соединения 3-го уровня – через маршруты ECMP с близлежащими маршрутизаторами, подключенными через физические порты двух или более юнитов в стеке. В таком случае аппаратное обеспечение сможет быстро перенаправить потоки трафика с членов групп портов или маршрутов ECMP отказавшего юнита на другой работающий юнит.

### ***nsf (Stack Global Config Mode)***

Включить опцию безостановочной пересылки в данном стеке. Когда опция включена, при отказе главного юнита стека резервный юнит берет управление на себя, не очищая при этом таблицу аппаратных средств действующих юнитов. Трафик данных продолжает идти через аппаратное обеспечение, в это же время происходит инициализация функций управления на резервном юните.

Опция NSF включена по умолчанию на платформах, поддерживающих ее. Опция может быть выключена администратором для высвобождения ресурсов CPU, задействованных на создание контрольных точек.

Если к стеку подключен юнит, не поддерживающий NSF, то NSF выключается на всех юнитах стека. Когда юнит, не поддерживающий NSF, отсоединяется от стека, а все оставшиеся в стеке юниты поддерживают NSF, то NSF включается администратором и продолжает действовать.

<b>Значение по умолчанию</b>	Включено
<b>Формат</b>	nsf
<b>Режим ввода команд</b>	Режим глобальной конфигурации стека

*no nsf*

Выключить опцию NSF в данном стеке.

<b>Формат</b>	no nsf
<b>Режим ввода команд</b>	Режим глобальной конфигурации стека

*show nsf*

Вывести информацию по глобальной конфигурации NSF и конфигурации NSF на каждом юните данного стека.

<b>Формат</b>	show nsf
<b>Режим</b>	Привилегированный режим

<i>Параметр</i>	<i>Описание</i>
<b>NSF Administrative Status</b>	Включена или отключена администратором опция NSF. По умолчанию: enable
<b>NSF Operational Status</b>	Включена ли опция NSF для данного стека.
<b>Last Startup Reason</b>	<p>Каким образом программное обеспечение было запущено в последний раз:</p> <ul style="list-style-type: none"> <li>• “Power-On” означает, что коммутатор был перезапущен. Это могло быть вызвано перезагрузкой по питанию или командой перезапуска (“Reload”), данной администратором системы.</li> <li>• “Administrative Move” означает, что администратор дал команду movemanagement для передачи управления на резервное устройство.</li> <li>• “Warm-Auto-Restart” означает, что первичная карта управления была перезапущена вследствие произошедшего сбоя и система выполнила обход отказа.</li> <li>• “Cold-Auto-Restart” означает, что система переключалась с главного юнита на резервный и не была способна поддерживать трафик пользователей. Как правило, это вызвано множественными сбоями, происходящими в непосредственной близости друг от друга</li> </ul>
<b>Time Since Last Restart</b>	Время, прошедшее с тех пор, как текущий главный юнит принял на себя управление стеком.
<b>Restart in progress</b>	Выполняется ли перезапуск в текущий момент
<b>Warm Restart Ready</b>	Готовность системы осуществить при отказе главного юнита передачу управления на резервный юнит
<b>Copy of Running Configuration to Backup Unit: Status</b>	Включает ли конфигурация резервного юнита все изменения, внесенные в конфигурацию на главном юните. Может отображаться как «Текущая» (Current) или «Устаревшая» (Stale).
<b>Time Since Last Copy</b>	Когда в последний раз осуществлялось копирование текущей конфигурации главного юнита на резервный юнит
<b>Time Until Next Copy</b>	Количество секунд до того, как текущая конфигурация будет скопирована на резервный юнит. Эта строка появляется лишь в том случае, если конфигурация резерв-

	ного юнита распознана как «Устаревшая».
<b>Параметры статуса отдельных юнитов стека</b>	
<b>NSF Support</b>	Поддерживает ли юнит опцию NSF.

### *initiate failover*

Вручную передать управление на резервный юнит и выполнить «горячий» перезапуск стека. При «горячем» перезапуске резервный юнит берет на себя функции главного юнита без очистки аппаратных таблиц (при «холодном» перезапуске происходит очистка таблиц). Приложения восстанавливают свое состояние по сохраненным в контрольной точке на нынешнем главном юните. Бывший главный юнит перезагружается.

Если система не готова осуществить «горячий» перезапуск, к примеру, не был назначен резервный юнит либо одно или несколько юнитов стека не поддерживают NSF, команда не будет выполнена и будет выведено сообщение с предупреждением.

Команда `movemanagement` также передает управление с текущего главного юнита; однако, содержимое аппаратных таблиц при этом очищается, и все юниты проходят инициализацию заново.

**Формат** `initiate failover`  
**Режим ввода команд** Режим глобальной конфигурации стека

### *show checkpoint statistics*

Показать общую информацию о действиях сервиса создания и управления контрольными точками.

**Формат** `show checkpoint statistics`  
**Режим ввода команд** Привилегированный режим

<i>Параметр</i>	<i>Описание</i>
<b>Messages Checkpointed</b>	Количество сообщений о контрольных точках, переданных на резервный юнит. Диапазон значений: целые числа. Значение по умолчанию: 0.
<b>Bytes Checkpointed</b>	Количество байтов, переданных на резервный юнит. Диапазон значений: целые числа. Значение по умолчанию: 0.
<b>Time Since Counters Cleared</b>	Количество дней, часов, минут и секунд, прошедших с момента сброса счетчиков на ноль. Счетчики обнуляются либо когда юнит принимает на себя управление стеком, либо отдельной командой. Значение по умолчанию: 0d00:00:00
<b>Checkpoint Message Rate</b>	Среднее количество сообщений контрольных точек в секунду. Средний показатель подсчитывается за период с момента последнего обнуления счетчиков. Диапазон значений: целые числа. Значение по умолчанию: 0.
<b>Last 10-second Message Rate</b>	Среднее количество сообщений контрольных точек в секунду за последние 10 секунд. Средний показатель обновляется каждые 10 секунд. Диапазон значений: целые числа. Значение по умолчанию: 0.
<b>Highest 10-second Message Rate</b>	Наивысший зарегистрированный показатель за 10-секундный интервал с момента последнего обнуления счетчиков. Диапазон значений: целые числа. Значение по умолчанию: 0.

## ***clear checkpoint statistics***

Обнулить статистику контрольных точек и вернуться к исходным значениям.

**Формат** `clear checkpoint statistics`

**Режим ввода команд** Привилегированный режим

## **6.4 Команды смешанного стекирования**

Смешанное стекирование позволяет разнородным стекам формировать однородную систему количественных и качественных характеристик посредством использования шаблонов. Каждый шаблон определяет характеристики юнита в стеке. Эти характеристики включают в себя ёмкость различных таблиц, поддерживаемых в чипе (к примеру, размер L2-таблиц), а также набор функций и возможностей, предоставляемых этим чипом. Существует по одному шаблону для каждого из типов устройства, поддерживаемых в смешанном стеке. Существуют также дополнительные шаблоны, обеспечивающие размеры таблиц и набор возможностей по принципу «наименьшего общего знаменателя» (*least common denominator*), позволяя устройствам различных типов объединяться в единый стек.

При соединении устройств больших возможностей с устройствами меньших возможностей шаблоны обеспечивают функционирование всего стека в соответствии с возможностями наиболее «слабого» устройства. В некоторых случаях у одного устройства в стеке может быть какая-либо таблица большего размера, нежели у другого, но при этом оно обладает меньшим набором функций, нежели устройство с меньшим размером таблицы. В таком случае шаблоны обеспечивают функционирование стека как единого целого в режиме соответствия «наименьшему общему знаменателю» (*least common denominator*).

### ***stack-template***

Данная команда устанавливает идентификатор шаблона стека на отдельный юнит стека (если задан) или применительно ко всему стеку. Пользователь получает запрос на подтверждение того, что конфигурация запуска на задействованных юнитах будет обнулена и что обновляемое (-ые) устройство (-а) будет (-ут) перезагружено (-ны).

**Значение по умолчанию** Задано платформой

**Формат** `stack-template templateId [unit]`

**Режим ввода команд** Стековый режим

### ***no stack-template***

Эта команда возвращает идентификатор шаблона стека на заданном юните на значение по умолчанию (для данной платформы). Пользователю предлагается подтвердить действие, т.к. загрузочная конфигурация будет удалена, а изменяемый юнит – перезапущен.

**Значение по умолчанию** Задано платформой

**Формат** `no stack-template unit`

**Режим ввода команд** Стековый режим

---

### ***show stack-template list***

Показать список идентификаторов шаблонов. Команда также использует опциональный параметр *switchindex*, соответствующий поддерживаемым моделям коммутаторов. Если задан индекс коммутатора, команда покажет шаблоны, которые могут быть сконфигурированы с данным типом коммутатора. Внимание: некоторые шаблоны не могут быть сконфигурированы с некоторыми типами коммутаторов.

**Формат** `show stack-template list`

**Режим ввода команд** Привилегированный режим

### ***show stack-template switch***

Показать идентификаторы шаблонов, настроенных на каждом коммутаторе в стеке. Идентификатор шаблона юнита с предварительно заданной конфигурацией или юнита с несовпадением версии ПО будет представлен как «*unknown*».

**Формат** `show stack-template switch`

**Режим** Привилегированный EXEC

## 7 КОМАНДЫ УПРАВЛЕНИЯ

В данном разделе описаны команды настройки управления, доступные в командном интерфейсе.



Все команды, приведенные в этом разделе, делятся на три функциональные группы:

- Команды `show` выводят информацию о настройках коммутатора, статистику и прочую информацию.
- Команды конфигурации настраивают функции коммутатора. Каждой команде конфигурации соответствует команда `show`, выводящая на дисплей настройки.
- Команды очистки (`clear`) откатывают некоторые или все настройки до заводского состояния.

### 7.1 Команды настройки интерфейса удалённого управления

В этом разделе описаны команды настройки логического интерфейса для доступа к устройству с целью управления им.

#### ***enable (доступ в привилегированный режим)***

Данная команда открывает доступ к привилегированному режиму. Привилегированный режим позволяет конфигурировать интерфейс удалённого управления.

**Формат** enable  
**Режим ввода команд** Пользовательский режим

#### ***do (выполнить команду в привилегированном режиме)***

Эта команда позволяет выполнить команду привилегированного режима из любого режима конфигурации.

**Формат** do Priv Exec Mode Command  
**Режим ввода команд** Режим глобальной конфигурации  
 Режим конфигурирования интерфейса  
 Режим конфигурации VLAN  
 Режим конфигурации маршрутизации

#### ***serviceport ip***

Команда устанавливает IP-адрес, маску сети и шлюз для сервисного порта. Параметр `none` позволяет сбросить адрес сети IPv4, маску и шлюз по умолчанию (при сбросе все эти значения устанавливаются на 0.0.0.0).

**Формат** serviceport ip {ipaddr netmask [gateway] | none}  
**Режим ввода команд** Привилегированный режим

## ***serviceport protocol***

Эта команда задает протокол конфигурации сервисного порта. Изменение этого параметра вступает в силу незамедлительно. При использовании параметра *bootp* коммутатор будет регулярно отправлять запросы на BootP-сервер до получения ответа. При использовании параметра *dhcp* коммутатор будет регулярно отправлять запросы на DHCP-сервер до получения ответа. При использовании параметра *none* необходимо сконфигурировать сетевой адрес коммутатора вручную.

**Формат** `serviceport protocol {none | bootp | dhcp}`

**Режим ввода команд** Привилегированный режим

### ***serviceport protocol dhcp***

Включить DHCPv4-клиент на сервисном порте. Если задан параметр *client-id*, сообщения DHCP-клиента отправляются с опцией *client-id* (61)идентификатора клиента.

**Значение по умолчанию** не задано

**Формат** `serviceport protocol dhcp [client-id]`

**Режим ввода команд** Привилегированный режим

Использование отрицательной формы команды *serviceport protocol dhcp client-id* не поддерживается. Чтобы выключить добавление опции *client-id* к сообщениям клиента DHCP, необходимо ввести команду *serviceport protocol dhcp* без параметра *client-id*. Команда интерфейса *serviceport protocol none* используется для одновременного отключения клиента DHCP и добавления опции *client-id*.

## ***network parms***

Установить IP-адрес, маску подсети и шлюз устройства. IP-адрес и шлюз должны принадлежать к одной подсети. Опция *none* сбрасывает IP-адрес и маску подсети до значений заводской конфигурации.

**Формат** `network parms {ipaddr netmask [gateway]} | none}`

**Режим ввода команд** Привилегированный режим

## ***network protocol***

Задать протокол сетевой конфигурации. Изменение этого параметра вступает в силу незамедлительно. При использовании параметра *bootp* коммутатор будет регулярно отправлять запросы на BootP-сервер до получения ответа. При использовании параметра *dhcp* коммутатор будет регулярно отправлять запросы на DHCP-сервер до получения ответа. При использовании параметра *none* необходимо конфигурировать сетевую информацию коммутатора вручную.

**Значение по умолчанию** `none`

**Формат** `network protocol {none | bootp | dhcp}`

**Режим ввода команд** Привилегированный режим

### ***network protocol dhcp***

Данная команда включает DHCPv4-клиент на сервисному порту. Если задан параметр *client-id*, сообщения DHCP-клиента отправляются с опцией *client-id* (61)идентификатора клиента



<b>Значение по умолчанию</b>	none
<b>Формат</b>	network protocol dhcp [client-id]
<b>Режим ввода команд</b>	Режим глобальной конфигурации

Использование по-формы команды **network protocol dhcp client-id** не поддерживается. Чтобы отключить добавление опции client-id к сообщениям клиента DHCP, необходимо ввести команду **network protocol dhcp** без параметра client-id. Команда интерфейса **network protocol none** используется для одновременного отключения клиента DHCP и добавления опции client-id.

### **network mac-address**

Команда задает локально администрируемые MAC-адреса. Действуют следующие правила:

- Бит 6 байта 0 (так называемый «бит U/L» - Универсальный/Локальный) указывает, является ли адрес администрируемым универсально (b'0') или локально (b'1').
- Бит 7 байта 0 (так называемый «бит I/G» - Индивидуальный/Групповой) указывает, является ли адрес назначения индивидуальным (b'0') или групповым (b'1').
- Второй символ двенадцатизначного MAC-адреса должен быть: 2, 6, A или E.

В локально администрируемом адресе бит 6 должен иметь значение 1 (b'1'), а бит 7 – 0 (b'0').

<b>Формат</b>	network mac-address macaddr
<b>Режим ввода команд</b>	Привилегированный режим

### **network mac-type**

Задать использование коммутатором заводского либо локально администрируемого MAC-адреса.

<b>Значение по умолчанию</b>	заводской
<b>Формат</b>	network mac-type {local   burnedin}
<b>Режим ввода команд</b>	Привилегированный режим

### **no network mac-type**

Установить значение MAC-адреса на заданное по умолчанию.

<b>Формат</b>	no network mac-type
<b>Режим ввода команд</b>	Привилегированный режим

### **network javamode**

Задать коммутатору режим доступа к Java-апплету в верхней части Web-интерфейса. Если доступ разрешен, пользователь может просматривать Java-апплет через Web-интерфейс. Когда доступ запрещен, пользователь не может просматривать Java-апплет.

<b>Значение по умолчанию</b>	Включено
<b>Формат</b>	network javamode
<b>Режим ввода команд</b>	Привилегированный режим

## *no network javamode*

Запретить доступ к Java-апплету в верхней части Web-интерфейса. Когда доступ запрещен, пользователь не может просматривать Java-апплет.

**Формат** no network javamode

**Режим ввода команд** Привилегированный режим

## *show network*

Показать настройки конфигурации сетевого интерфейса коммутатора. Сетевой интерфейс – логический интерфейс, используемый для поддержания связности с коммутатором через любой порт лицевой панели коммутатора. Параметры конфигурации сетевого интерфейса коммутатора не влияют на конфигурацию портов лицевой панели, через которые происходит коммутация или маршрутизация трафика. Сетевой интерфейс всегда активен вне зависимости от того, активны ли порты устройства. Таким образом, команда *show network* всегда будет показывать значение графы **Interface Status (Состояние интерфейса)** как **Up (Активно)**.

**Формат** show network

**Режимы ввода команды** Привилегированный режим  
Пользовательский режим

<i>Параметр</i>	<i>Определение</i>
<b>Interface Status</b>	Состояние сетевого интерфейса.
<b>IP Address</b>	IP-адрес интерфейса. Значение, заданное заводской конфигурацией: 0.0.0.0.
<b>Subnet Mask</b>	IP-маска подсети интерфейса. Значение, заданное заводской конфигурацией: 0.0.0.0.
<b>Default Gateway</b>	Шлюз по умолчанию для интерфейса данного IP. Значение по умолчанию: 0.0.0.0.
<b>IPv6 Administrative Mode</b>	Включен или выключен
<b>IPv6 Address/Length</b>	IPv6 адрес и длина маски
<b>IPv6 Default Router</b>	IPv6 адрес маршрутизатора по умолчанию
<b>Burned In MAC Address</b>	Заводской MAC-адрес
<b>Locally Administered MAC Address</b>	По желанию пользователя локально администрируемый MAC-адрес может быть сконфигурирован для поддержания связности сети. Для этого в графе «Тип MAC-адреса» должно быть выбрано значение «Локально администрируемый». Адрес вводится как 12 шестнадцатеричных чисел (6 байт) с двоеточием между байтами. Бит 1 байта 0 должен быть 1, а бит 0 байта 0 – 0, то есть байт 0 должен иметь маску следующего вида: 'xxxx xx10'. MAC-адрес, используемый этим сетевым мостом (bridge), должен быть уникальным. Рекомендуется использовать численно наименьший MAC-адрес на всех портах этого моста, но обязательным требованием это не является. При соединении с dot1dStpPriority мосту присваивается уникальный идентификатор (Bridge Identifier), который используется протоколом STP (Spanning Tree Protocol).
<b>MAC Address Type</b>	MAC-адрес, используемый для поддержаний внутренней связности сети. Может быть заводским или локально администрируемым. При заводской конфигурации используется заводской MAC-адрес
<b>Configured IPv4 Protocol</b>	Используемый сетевой протокол IPv4. Возможные значения: bootp   dhcp   none (не используется).

<b>Configured IPv6 Protocol</b>	Используемый сетевой протокол IPv6. Возможные значения: dhcp   none (не используется).
<b>DHCPv6 Client DUID</b>	Уникальный идентификатор (DHCP Unique Identifier) клиента DHCPv6. Эта графа выводится на дисплей, если в качестве сконфигурированного протокола IPv6 выбран dhcp
<b>IPv6 Autoconfig Mode</b>	Включена или выключена для сети IPv6 stateless автоконфигурация адреса.
<b>DHCP Client Identifier</b>	Идентификатор клиента выводится на дисплей, только если на сетевой порт открыт доступ протоколу DHCP с включенным параметром <b>client-id</b> . См. network protocol dhcp.

### **show serviceport**

Показать конфигурацию сервисного порта.

**Формат** show serviceport  
**Режим ввода команд** Привилегированный режим  
 Пользовательский режим

<i>Параметр</i>	<i>Определение</i>
<b>Interface Status</b>	Состояние сетевого интерфейса. Всегда отображается как Up «Активно».
<b>IP Address</b>	IP-адрес интерфейса. Значение, заданное заводской конфигурацией: 0.0.0.0.
<b>Subnet Mask</b>	IP-маска подсети интерфейса. Значение, заданное заводской конфигурацией: 0.0.0.0.
<b>Default Gateway</b>	Шлюз по умолчанию для интерфейса данного IP. Значение, заданное заводской конфигурацией: 0.0.0.0.
<b>IPv6 Administrative Mode</b>	Включен или выключен. По умолчанию: Enabled (включен)
<b>IPv6 Address/Length</b>	Адрес и длина маски IPv6. По умолчанию: Местная сеть (Link Local).
<b>IPv6 Default Router</b>	Адрес маршрутизатора IPv6 по умолчанию. По умолчанию: Не задан.
<b>Configured IPv4 Protocol</b>	Используемый сетевой протокол IPv4. Возможные значения: bootp   dhcp   none (не используется).
<b>Configured IPv6 Protocol</b>	Используемый сетевой протокол IPv6. Возможные значения: dhcp   none (не используется).
<b>DHCPv6 Client DUID</b>	Уникальный идентификатор (DHCP Unique Identifier) клиента DHCPv6. Эта графа выводится на дисплей, если в качестве сконфигурированного протокола IPv6 выбран dhcp.
<b>IPv6 Autoconfig Mode</b>	Включена или выключена для сети IPv6 автоконфигурация адреса без сохранения состояния.
<b>Burned in MAC Address</b>	Заводской MAC-адрес.
<b>DHCP Client Identifier</b>	Идентификатор клиента выводится на дисплей, только если на сервисном порту включен DHCP-клиент с параметром client-id.

## 7.2 Команды для настройки доступа с помощью консольного порта

В данном разделе описаны команды конфигурации консольного порта. Для соединения компьютера напрямую с портом консоли коммутатора используется консольный кабель.

### *configure*

Данная команда открывает доступ к режиму глобальной конфигурации. Этот режим позволяет конфигурировать различные системные настройки, в том числе учетные записи пользователей, а также использовать иные режимы ввода команд, в том числе Режим конфигурирования командной строки (Line Config).

**Формат** `configure`  
**Режим ввода команд** Привилегированный режим

### *line*

Эта команда открывает доступ к режиму Line Console, позволяющему конфигурировать настройки Telnet и порт консоли, а также аутентификацию при запуске консоли.

**Формат** `line {console | telnet | ssh}`  
**Режим ввода команд** Режим глобальной конфигурации

<i>Параметр</i>	<i>Определение</i>
<b>console</b>	Настройка параметров последовательного порта
<b>telnet</b>	Настройка параметров удалённого подключения с помощью протокола Telnet.
<b>ssh</b>	Настройка параметров удалённого подключения с помощью протокола SSH.

### *serial baudrate*

Эта команда задает скорость передачи информации интерфейса консоли. Поддерживаемые скоростные режимы: 1200, 2400, 4800, 9600, 19200, 38400, 57600 и 115200.

**Значение по умолчанию** 115200  
**Формат** `serial baudrate {1200 | 2400 | 4800 | 9600 | 19200 | 38400 | 57600 | 115200}`  
**Режим ввода команд** Режим конфигурирования командной строки

### *no serial baudrate*

Задать скорость передачи информации интерфейса консоли.

**Формат** `no serial baudrate`  
**Режим ввода команд** Режим конфигурирования командной строки

### *serial timeout*

Задать максимальное время жизни соединения (в минутах) при бездействии консоли. Значение 0 соответствует бесконечному времени. Диапазон временных значений: 0-160.

**Значение по умолчанию** 5

**Формат** serial timeout 0-160  
**Режим ввода команд** Режим конфигурирования командной строки

### *no serial timeout*

Задать максимальное время соединения (в минутах) при бездействии консоли.

**Формат** no serial timeout  
**Режим ввода команд** Режим конфигурирования командной строки

### *show serial*

Эта команда показывает настройки консольного порта коммутатора.

**Формат** show serial  
**Режим ввода команд** Привилегированный режим  
 Пользовательский режим

<i>Параметр</i>	<i>Определение</i>
<b>Serial Port Login Timeout (minutes)</b>	Время (в минутах) бездействия соединения с последовательным портом, по истечении которого соединение будет разорвано коммутатором. Значение 0 соответствует бесконечному времени.
<b>Baud Rate (bps)</b>	Установленная по умолчанию скорость передачи данных в бодах, на которой последовательный порт будет работать.
<b>Character Size (bits)</b>	Количество битов в символе. Всегда равняется 8
<b>Flow Control</b>	Включена или выключена опция управления потоком данных аппаратных средств (Hardware Flow-Control). Всегда выключена.
<b>Stop Bits</b>	Количество стоповых битов на символ. Всегда равно 1.
<b>Parity</b>	Контроль четности, используемый последовательным портом. Всегда None («Не используется»).

## 7.3 Команды настройки протокола Telnet

В данном разделе описаны команды конфигурации и просмотра настроек Telnet. Telnet используется для управления устройством с удалённого устройства.

### *ip telnet server enable*

Данная команда разрешает устанавливать соединения с системой по протоколу Telnet и включает режим управления сервером Telnet, а также открывает порт Telnet для входящих подключений.

**Значение по умолчанию** Выключено  
**Формат** ip telnet server enable  
**Режим ввода команд** Привилегированный режим

### *no ip telnet server enable*

Данная команда запрещает доступ к системе по протоколу Telnet и выключает режим управления сервером Telnet. Закрывает порт Telnet для входящих подключений и разрывает все открытые сессии Telnet.

**Формат** no ip telnet server enable  
**Режим ввода команд** Привилегированный режим

### *ip telnet port*

Сконфигурировать номер порта TCP, через который Telnet получает входящие запросы.

**Значение по умолчанию** 23  
**Формат** ip telnet port 1-65535  
**Режим ввода команд** Привилегированный режим

### *no ip telnet port*

Вернуть настройки порта Telnet-сервера для входящих подключений к заводским значениям.

**Формат** no ip telnet port  
**Режим ввода команд** Привилегированный режим

### *telnet*

Установить новое исходящее соединение Telnet с удаленным хостом. В поле *host* должен быть указан либо действительный IP-адрес, либо имя хоста. В поле *port* следует указать целое число десятичной системы счисления в диапазоне от 0 до 65535, значение по умолчанию – 23. Команда *[debug]* выводит список опций Telnet, включенных в данный момент. Опциональный параметр *line* устанавливает в качестве операционного режима исходящих сессий Telnet строчный режим, в то время как по умолчанию используется текстовый (символьный) режим. Опция *localecho* включает режим локального отображения.

**Формат** telnet ip-address/hostname port [debug] [line] [localecho]  
**Режим ввода команд** Привилегированный режим  
Пользовательский режим

### *transport input telnet*

Данная команда регулирует новые входящие сессии Telnet. Если данная опция включена, новые сессии Telnet будут открываться до тех пор, пока не будет исчерпан лимит их количества. Открытая сессия остается активной до ее закрытия или до непредвиденной ошибки сети.



**Если режим администрирования сервера Telnet (Telnet Server Admin Mode) отключен, сессии Telnet не будут открываться. Для запуска режима администрирования сервера Telnet используется команда ip telnet server enable.**

**Значение по умолчанию** Включено  
**Формат** transport input telnet

**Режим ввода данных**                      Режим конфигурирования командной строки

*no transport input telnet*

Запретить открывать новые входящие сессии Telnet.

**Формат**    no transport input telnet

**Режим ввода данных**                      Режим конфигурирования командной строки

***transport output telnet***

Данная команда регулирует новые исходящие сессии Telnet. Если данная опция включена, пользователь может устанавливать новые исходящие соединения Telnet до достижения системного лимита количества одновременно открытых сессий Telnet. Открытая сессия остается активной до ее закрытия или до непредвиденной ошибки сети.

**Значение по умолчанию**                  Включено

**Формат**    transport output telnet

**Режим ввода команд**                      Режим конфигурирования командной строки

*no transport output telnet*

Запретить устанавливать новые исходящие сессии Telnet.

**Формат**    no transport output telnet

**Режим ввода команд**                      Режим конфигурирования командной строки

***session-limit***

Установить максимальное количество одновременных исходящих сессий Telnet. Значение 0 означает невозможность установления исходящих сессий Telnet.

**Значение по умолчанию**                  5

**Формат**    session-limit 0-5

**Режим ввода данных**                      Режим конфигурирования командной строки

*no session-limit*

Отрицательная форма данной команды сбрасывает максимальное количество одновременных исходящих сессий к заводскому значению.

**Формат**    no session-limit

**Режим ввода команд**                      Режим конфигурирования командной строки

***session-timeout***

Установить максимальное время жизни сессии Telnet. Значение выставляется в минутах.

**Значение по умолчанию**                  5

**Формат**    session-timeout 1-160

Режим ввода данных                      Режим конфигурирования командной строки

#### *no session-timeout*

Сбросить лимит превышения времени сессии Telnet к значению по умолчанию. Значение выставляется в минутах.

**Формат**                                      `no session-timeout`  
**Режим ввода команд**                      Режим конфигурирования командной строки

#### ***telnetcon maxsessions***

Установить максимальное количество доступных входящих сессий Telnet. 0 означает невозможность установления соединений Telnet. Диапазон значений: 0-5.

**Значение по умолчанию**              5  
**Формат**                                      `telnetcon maxsessions 0-5`  
**Режим ввода команд**                      Привилегированный режим

#### *no telnetcon maxsessions*

Установить максимальное количество доступных входящих сессий Telnet на значение по умолчанию.

**Формат**                                      `no telnetcon maxsessions`  
**Режим ввода команд**                      Привилегированный режим

#### ***telnetcon timeout***

Установить лимит превышения времени (в минутах) сессии Telnet. Сессия остается активной до тех пор, пока не превышен заданный лимит времени бездействия. Диапазон значений: десятичное число от 1 до 160.



**При изменении лимита времени новое значение применяется ко всем активным и неактивным сессиям немедленно. Сессия, превысившая новый лимит времени бездействия, разрывается немедленно.**

**Значение по умолчанию**              5  
**Формат**                                      `telnetcon timeout 1-160`  
**Режим ввода данных**                      Привилегированный режим

#### *no telnetcon timeout*

Сбросить лимит превышения времени сессии Telnet к значению по умолчанию.



**Для вступления в силу изменений лимита времени для активных сессий следует перезапустить сессию. Нажатие любой клавиши перезапускает отсчет времени.**



**Формат** no telnetcon timeout  
**Режим ввода данных** Привилегированный режим

### **show telnet**

Показать текущие настройки исходящих сессий Telnet. Исходящие сессии – соединения Telnet, которые коммутатор устанавливает с удалённой системой.

**Формат** show telnet  
**Режимы ввода команд** Привилегированный режим  
 Пользовательский режим

<i>Параметр</i>	<i>Определение</i>
<b>Outbound Telnet Login Timeout</b>	Количество минут бездействия до разрыва сессии Telnet
<b>Maximum Number of Outbound Telnet Sessions</b>	Количество одновременно доступных исходящих сессий Telnet.
<b>Allow New Outbound Telnet Sessions</b>	Доступность открытия новых исходящих сессий Telnet

### **show telnetcon**

Показать текущие настройки входящих сессий Telnet. Входящие сессии – соединения Telnet, которые удаленная система устанавливает с коммутатором.

**Формат** show telnetcon  
**Режимы ввода команд** Привилегированный режим  
 Пользовательский режим

<i>Параметр</i>	<i>Определение</i>
<b>Remote Connection Login Timeout (minutes)</b>	Количество минут бездействия до разрыва удаленной сессии Telnet. Значение: десятичное число от 1 до 160. Значение по умолчанию: 5.
<b>Maximum Number of Remote Connection Sessions</b>	Количество доступных одновременных удаленных соединений. Значение по умолчанию: 5.
<b>Allow New Telnet Sessions</b>	Если значение установлено на No («Нет»), то устанавливать новые сессии Telnet запрещено. Значение по умолчанию: Yes («Да»).
<b>Telnet Server Admin Mode</b>	Включен ли режим управления Telnet (Telnet Admin mode).
<b>Telnet Server Port</b>	Сконфигурированный номер порта TCP, через который сервер Telnet получает запросы на входящие подключения (значение по умолчанию: 23)

## **7.4 Команды настройки протокола SSH**

В данном разделе описаны команды конфигурации протокола SSH для доступа к коммутатору. Протокол SSH используется для доступа к коммутатору с удаленного хоста управления.



## Максимальное количество сессий SSH – 5.

### *ip ssh*

Разрешить доступ к данной системе через протокол SSH (эта команда – сокращенная форма от `ip ssh server enable`).

<b>Значение по умолчанию</b>	Выключено
<b>Формат</b>	<code>ip ssh</code>
<b>Режим ввода команд</b>	Привилегированный режим

### *ip ssh port*

Сконфигурировать номер порта TCP, через который сервер SSH получает запросы на входящие подключения. Действительные номера портов: от 1 до 65535.

<b>Значение по умолчанию</b>	22
<b>Формат</b>	<code>ip ssh port 1-65535</code>
<b>Режим ввода команд</b>	Привилегированный режим

### *no ip ssh port*

Сбросить порт входящих подключений сервера SSH к значению по умолчанию.

<b>Формат</b>	<code>no ip ssh port</code>
<b>Режим ввода команд</b>	Привилегированный режим

### *ip ssh protocol*

Установить или удалить уровни (или версии) протокола SSH. Возможные значения: SSH1 (1), SSH2 (2) или одновременно SSH 1 и SSH 2 (1 и 2).

<b>Значение по умолчанию</b>	2
<b>Формат</b>	<code>ip ssh protocol [1] [2]</code>
<b>Режим ввода команд</b>	Привилегированный режим

### *ip ssh server enable*

Данная команда включает IP-сервер SSH.

<b>Значение по умолчанию</b>	Выключено
<b>Формат</b>	<code>ip ssh server enable</code>
<b>Режим ввода команд</b>	Привилегированный режим

### *no ip ssh server enable*

Выключить IP-сервер SSH.

**Формат** no ip ssh server enable

**Режим ввода команд** Привилегированный режим

### ***sshcon maxsessions***

Эта команда определяет максимальное количество сессий соединений SSH, которые могут быть установлены. Значение 0 указывает, что ssh-соединение не может быть установлено. Диапазон значений: 0-5.

**Значение по умолчанию** 5

**Формат** sshcon maxsessions 0-5

**Режим ввода команды** Привилегированный режим

### ***no sshcon maxsessions***

Сбросить максимальное количество сессий через SSH-соединения к значению по умолчанию.

**Формат** no sshcon maxsessions

**Режим ввода команд** Привилегированный режим

### ***sshcon timeout***

Установить время жизни SSH-соединения. Сессия активна, пока не превышен заданный лимит времени бездействия. Время задается десятичным числом от 1 до 160.

Для вступления в силу изменений лимита времени для активных сессий следует перезапустить сессию. Нажатие любой клавиши перезапускает отсчет времени.

**По умолчанию** 5

**Формат** sshcon timeout 1-160

**Режим ввода команд** Привилегированный режим

### ***no sshcon timeout***

Сбросить время жизни SSH-соединения к значению по умолчанию.

Для вступления в силу изменений лимита времени для активных сессий следует перезапустить сессию. Нажатие любой клавиши перезапускает отсчет времени.

**Формат** no sshcon timeout

**Режим ввода команд** Привилегированный режим

### ***show ip ssh***

Показать настройки SSH.

**Формат** show ip ssh

**Режим ввода команд** Привилегированный режим

<i>Параметр</i>	<i>Определение</i>
<b>Administrative Mode</b>	Включен или выключен сервер SSH
<b>SSH Port</b>	Порт SSH
<b>Protocol Level</b>	Уровень протокола может содержать версию 1, версию 2 или версию 1 и версию 2 одновременно.
<b>SSH Sessions Currently Active</b>	Количество сессий SSH, активных в текущий момент
<b>Max SSH Sessions Allowed</b>	Максимальное количество разрешенных сессий SSH
<b>SSH Timeout</b>	Таймаут SSH сессии (в минутах)
<b>Keys Present</b>	Наличие файлов ключей RSA и DSA для SSH
<b>Key Generation in Progress</b>	Происходит ли генерация файлов ключей RSA или DSA в текущий момент.

## 7.5 Команды управления ключами безопасности

В данном разделе описаны команды генерации ключей и сертификатов. Доступна возможность их загружать.

### *crypto certificate generate*

Эта команда генерирует самоподписанный сертификат протокола HTTPS. Генерируемый ключ RSA для SSL имеет длину в 1024 бита. Результирующий сертификат генерируется с общим именем, соответствующим наименьшему IP-адресу данного устройства, и действует 365 дней.

**Формат** `crypto certificate generate`  
**Режим ввода команд** Режим глобальной конфигурации

### *no crypto certificate generate*

Удалить файлы сертификата HTTPS с данного устройства, вне зависимости от того, самоподписанный это сертификат или загруженный из внешнего источника.

**Формат** `no crypto certificate generate`  
**Режим ввода команд** Режим глобальной конфигурации

### *crypto key generate rsa*

Сгенерировать пару ключей RSA для SSH. Новые файлы ключей будут записаны поверх существующих (сгенерированных или загруженных) файлов ключей RSA.

**Формат** `crypto key generate rsa`  
**Режим ввода команд** Режим глобальной конфигурации

### *no crypto key generate rsa*

Удалить файлы ключей RSA с данного устройства.

**Формат** `no crypto key generate rsa`  
**Режим ввода команд** Режим глобальной конфигурации

### *crypto key generate dsa*

Сгенерировать пару ключей DSA для SSH. Новые файлы ключей будут записаны поверх существующих (сгенерированных или загруженных) файлов ключей DSA.

**Формат** `crypto key generate dsa`  
**Режим ввода команд** Режим глобальной конфигурации

### *no crypto key generate dsa*

Удалить файлы ключей DSA с данного устройства.

**Формат** `no crypto key generate dsa`  
**Режим ввода команд** Режим глобальной конфигурации

## 7.6 Команды настройки протоколов HTTP/HTTPS

В данном разделе описаны команды конфигурации протокола передачи гипертекста (HTTP) и безопасный доступ к коммутатору через протокол HTTP. Доступ к коммутатору через Web-браузер разрешен по умолчанию. Все, что можно просматривать и конфигурировать через CLI, также доступно через Web.

### *ip http accounting exec, ip https accounting exec*

Применить учетный список пользовательского режима (start-stop/stop-only) к методам доступа HTTP и HTTPS.



Для создания списка методов учёта пользователей используется команда `aaa accounting`

**Формат** `ip {http|https} accounting exec {default|listname}`  
**Режим ввода команд** Режим глобальной конфигурации

<i>Параметр</i>	<i>Определение</i>
<b>http/https</b>	Метод доступа, к которому применяется список
<b>default</b>	Список методов, используемых сервисами авторизации по умолчанию
<b>listname</b>	Имя списка учетных методов (формат: буквенно-цифровая строка символов).

### *no ip http/https accounting exec*

Удалить список методов учёта.

**Формат** `no ip {http|https} accounting exec {default|listname}`  
**Режим ввода команд** Режим глобальной конфигурации

### *ip http authentication*

Данная команда позволяет установить методы аутентификации для пользователей сервера HTTP. При конфигурации по умолчанию используется локальная база данных пользователей. Действие данной команды аналогично команде `ip http authentication local`. Дополнительные методы аутентификации используются только в случае, если предыдущий метод выдает ошибку, но не в случае сбоя. Для успешной аутентификации в случае, если все методы выдают ошибку, необходимо через командную строку задать `none` в качестве заключительного метода. К примеру, если в качестве метода аутентификации после параметра `radius` задан параметр `none`, то аутентификация не используется, если сервер RADIUS недоступен.

**Значение по умолчанию**      Локальная база данных  
**Формат**                              `ip http authentication method1 [method2...]`  
**Режим ввода команд**              Режим глобальной конфигурации

<i>Параметр</i>	<i>Описание</i>
<code>local</code>	Использовать для аутентификации локальную базу данных с именами пользователей
<code>none</code>	Не использовать аутентификацию
<code>radius</code>	Использовать для аутентификации список всех серверов RADIUS
<code>tacacs</code>	Использовать для аутентификации список всех серверов TACACS+.

### *no ip http authentication*

Вернуться к значению по умолчанию.

**Формат**                              `no ip http authentication`  
**Режим ввода команд**              Режим глобальной конфигурации

### *ip https authentication*

Установить методы аутентификация для пользователей HTTPS-сервера. При конфигурации по умолчанию используется локальная база данных пользователей. Действие данной команды аналогично таковому команды `ip https authentication local`. Дополнительные методы аутентификации используются только в случае, если предыдущий метод выдает ошибку, но не в случае сбоя. Для успешной аутентификации в случае, если все методы выдают ошибку, необходимо через командную строку задать `none` в качестве заключительного метода. К примеру, если в качестве метода аутентификации после параметра `radius` задан параметр `none`, то аутентификация не используется, если сервер RADIUS недоступен.

**Значение по умолчанию**      `local`  
**Формат**                              `ip https authentication method1 [method2...]`  
**Режим ввода команд**              Режим глобальной конфигурации

<i>Параметр</i>	<i>Описание</i>
<code>local</code>	Использовать для аутентификации локальную базу данных с именами пользователей
<code>none</code>	Не использовать аутентификацию
<code>radius</code>	Использовать для аутентификации список всех серверов RADIUS
<code>tacacs</code>	Использовать для аутентификации список всех серверов TACACS+.

### *no ip https authentication*

Вернуться к значению по умолчанию.

<b>Формат</b>	no ip https authentication
<b>Режим ввода команд</b>	Режим глобальной конфигурации

### *ip http server*

Включить доступ к коммутатору через Web-интерфейс. Если опция включена, пользователь может авторизоваться на коммутаторе через Web-интерфейс. Если выключена, пользователь не может авторизоваться на Web-сервере коммутатора. Выключение Web-интерфейса вступает в силу немедленно. Действие распространяется на все интерфейсы.

<b>Значение по умолчанию</b>	Включено
<b>Формат</b>	ip http server
<b>Режим ввода команд</b>	Привилегированный режим

### *no ip http server*

Отключить доступ к коммутатору через Web-интерфейс. При этом пользователь не может авторизоваться на Web-сервере коммутатора.

<b>Формат</b>	no ip http server
<b>Режим ввода команд</b>	Привилегированный режим

### *ip http secure-server*

Включить протокол SSL (уровень защищенных сокетов) для безопасного режима HTTP.

<b>Значение по умолчанию</b>	Выключено
<b>Формат</b>	ip http secure-server
<b>Режим ввода команд</b>	Привилегированный режим

### *no ip http secure-server*

Отключить протокол SSL (уровень защищенных сокетов) для безопасного режима HTTP.

<b>Формат</b>	no ip http secure-server
<b>Режим ввода команд</b>	Привилегированный режим

### *ip http java*

Включить режим Web Java. Режим Java может использоваться как при защищенном, так и при незащищенном интернет соединениях.

<b>Значение по умолчанию</b>	Включено
<b>Формат</b>	ip http java
<b>Режим ввода команд</b>	Привилегированный режим

### *no ip http java*

Выключить режим Web Java. Режим Java может использоваться как при защищенном, так и при незащищенном интернет соединениях.

**Формат** no ip http java  
**Режим ввода команд** Привилегированный режим

### *ip http port*

Сконфигурировать номер TCP-порта, через который HTTP-сервер получает запросы.

**Значение по умолчанию** 80  
**Формат** ip http port 1-65535  
**Режим ввода команд** Привилегированный режим

### *no ip http port*

Сбросить настройки порта, через который HTTP-сервер получает запросы, к значениям по умолчанию.

**Формат** no ip http port  
**Режим ввода команд** Привилегированный режим

### *ip http rest-api port*

Сконфигурировать номер TCP-порта HTTP-сервера, REST-запросы которого слушает сервер с открытым RESTful API.

**Значение по умолчанию** 8080  
**Формат** ip http rest-api port 1025-65535  
**Режим ввода команд** Привилегированный режим

### *no ip http rest-api port*

Сбросить настройки прослушиваемого порта HTTP-сервера с открытым RESTful API к значению по умолчанию.

**Формат** no ip http rest-api port  
**Режим ввода команд** Привилегированный режим

### *ip http rest-api secure-port*

Сконфигурировать номер TCP-порта HTTPS-сервера, который получает защищенные REST-запросы с сервера с открытым RESTful API

**Значение по умолчанию** 8443  
**Формат** ip http rest-api secure-port 1025-65535  
**Режим ввода команд** Привилегированный режим



---

### *no ip http rest-api secure-port*

Сбросить настройки слушающего HTTP-сервера с открытым RESTful API к значению по умолчанию.

**Формат** no ip http rest-api secure-port

**Режим ввода команд** Привилегированный режим

### *ip http session hard-timeout*

Настроить таймаут в часах, после истечения которого неактивный клиент будет отключен от незащищенной HTTP-сессии. Установление данного параметра на 0 (ноль) задает неограниченное по времени пользование. Когда установленное время истекает, пользователю необходимо пройти повторную аутентификацию. Отсчет времени ведется с начала сессии и не зависит от уровня активности соединения.

**Значение по умолчанию** 24

**Формат** ip http session hard-timeout 1-168

**Режим ввода команд** Привилегированный режим

### *no ip http session hard-timeout*

Сбросить настройки таймаута, при достижении которого клиент будет отключен от незащищенной HTTP-сессии, к значению по умолчанию.

**Формат** no ip http session hard-timeout

**Режим ввода команд** Привилегированный режим

### *ip http session maxsessions*

Настроить количество возможных незащищенных HTTP-сессий. Минимальное значение: 0 (ноль).

**Значение по умолчанию** 16

**Формат** ip http session maxsessions 0-16

**Режим ввода команд** Привилегированный режим

### *no ip http session maxsessions*

Сбросить настройки количества возможных незащищенных HTTP-сессий к значению по умолчанию.

**Формат** no ip http session maxsessions

**Режим ввода команд** Привилегированный режим

### *ip http session soft-timeout*

Настроить лимит времени подключения к незащищенной HTTP-сессии в минутах. Установление данного параметра на 0 (ноль) задает неограниченное по времени пользование. Когда установленное время истекает, пользователю необходимо пройти повторную

аутентификацию. Отсчет времени ведется с начала сессии и перезапускается с каждым новым подключением.

**Значение по умолчанию**      5  
**Формат**                              ip http session soft-timeout 1-60  
**Режим ввода команд**            Привилегированный режим

*no ip http session soft-timeout*

Сбросить настройки времени отключения неактивного клиента от незащищенной HTTP-сессии к значению по умолчанию.

**Формат**                              no ip http session soft-timeout  
**Режим ввода команд**            Привилегированный режим

***ip http secure-session hard-timeout***

Настроить время в часах, после которого неактивный клиент будет отключен от защищенной HTTP-сессии. Когда установленное время истекает, пользователю необходимо пройти повторную аутентификацию. Отсчет времени ведется с начала сессии и не зависит от уровня активности соединения. Данный параметр не может быть равен нулю (бесконечности).

**Значение по умолчанию**      24  
**Формат**                              ip http secure-session hard-timeout 1-168  
**Режим ввода команд**            Привилегированный режим

*no ip http secure-session hard-timeout*

Сбросить настройки лимита времени для защищенной HTTP-сессии к значению по умолчанию.

**Формат**                              no ip http secure-session hard-timeout  
**Режим ввода команд**            Привилегированный режим

***ip http secure-session maxsessions***

Настроить количество возможных защищенных HTTP-сессий. Минимальное значение: 0 (ноль).

**По умолчанию**                    16  
**Формат**                              ip http secure-session maxsessions 0-16  
**Режим ввода команд**            Привилегированный режим

*no ip http secure-session maxsessions*

Сбросить настройки количества возможных защищенных HTTP-сессий к значению по умолчанию.

**Формат**                              no ip http secure-session maxsessions

**Режим ввода команд** Привилегированный режим

### ***ip http secure-session soft-timeout***

Настроить лимит времени подключения к защищенной HTTP-сессии в минутах. Установление данного параметра на ноль создаст неограниченное по времени пользование. Когда установленное время истекает, пользователю необходимо пройти повторную аутентификацию. Отсчет времени ведется с начала сессии и перезапускается с каждым новым подключением. Данный параметр не может быть равен нулю (бесконечности).

**Значение по умолчанию** 5

**Формат** `ip http secure-session soft-timeout 1-60`

**Режим ввода команд** Привилегированный режим

### ***no ip http secure-session soft-timeout***

Сбросить настройки времени отключения клиента от защищенной HTTP-сессии к значению по умолчанию.

**Формат** `no ip http secure-session soft-timeout`

**Режим ввода команд** Привилегированный режим

### ***ip http secure-port***

Сконфигурировать порт SSL, может принимать значения 1025-65535, по умолчанию 443.

**По умолчанию** 443

**Формат** `ip http secure-port portid`

**Режим ввода команд** Привилегированный режим

### ***no ip http secure-port***

Сбросить настройки порта SSL к значению по умолчанию.

**Формат** `no ip http secure-port`

**Режим ввода команд** Привилегированный режим

### ***ip http secure-protocol***

Настроить уровни протокола (версии). Уровень протокола может быть установлен как TLS1, SSL3 или оба TLS1 и SSL3.

**Значение по умолчанию** SSL3 и TLS1

**Формат** `ip http secure-protocol [SSL3] [TLS1]`

**Режим ввода команд** Привилегированный режим

### ***show ip http***

Отобразить настройки протокола HTTP.

**Формат** `show ip http`

<i>Параметр</i>	<i>Определение</i>
<b>HTTP Mode (Unsecure)</b>	Незащищенный режим HTTP-сервера.
<b>Java Mode</b>	Административный режим Java-апплета, который используется для работы как с защищенным, так и с незащищенным соединениями.
<b>HTTP Port</b>	Конфигурируемый слушающий TCP-порт HTTP-сервера (значение 80)
<b>RESTful API HTTP Port</b>	Номер HTTP TCP-порта, REST-запросы которого слушает сервер с OpEN RESTful API
<b>RESTful API HTTPS Port</b>	Номер HTTPS-порта, REST-запросы которого слушает сервер с OpEN RESTful API
<b>Maximum Allowable HTTP Sessions</b>	Число возможных незащищенных http-сессий
<b>HTTP Session Hard Timeout</b>	Время отключения клиента от незащищенной HTTP сессии в часах
<b>HTTP Session Soft Timeout</b>	Время отключения неактивного клиента от незащищенной HTTP-сессии в минутах
<b>HTTP Mode (Secure)</b>	Административный режим защищенного HTTP-сервера.
<b>Secure Port</b>	Номер порта защищенного HTTP-сервера
<b>Secure Protocol Level(s)</b>	Уровень протокола может иметь значения SSL3, TSL1 или оба – SSL3 и TSL1
<b>Maximum Allowable HTTPS Sessions</b>	Число возможных защищенных http-сессий
<b>HTTPS Session Hard Timeout</b>	Время отключения клиента от защищенной HTTP-сессии в часах
<b>HTTPS Session Soft Timeout</b>	Время отключения неактивного клиента от защищенной http-сессии в минутах
<b>Certificate Present</b>	Присутствуют ли на устройстве файлы сертификата защищенного сервера
<b>Certificate Generation in Progress</b>	Осуществляется ли процесс генерации сертификата

## 7.7 Команды доступа

Используйте команды данного подраздела для отключения удаленного подключения и просмотра информации о состоянии подключений к системе.

### *disconnect*

Закрывает сессию HTTP, HTTPS, Telnet или SSH. Используйте параметр `all` для закрытия всех активных сессий или `session-id`, чтобы задать конкретную сессию. Чтобы просмотреть возможные значения `session-id`, используйте команду `show loginsession`.

**Формат** `disconnect {session_id | all}`

**Режим ввода команд** Привилегированный режим

## linuxsh

Команда используется для получения доступа к командной строке Linux. Используйте команду `exit`, чтобы выйти из командной оболочки Linux и вернуться в CLI. Сессия командной оболочки будет завершена после пяти минут бездействия. Лимит времени бездействия может быть изменен командой `session-timeout` в режиме командной строки консоли.



**Доступ в linuxsh доступен при наличии специально сгенерированного debug-ключа. При необходимости получения ключа, обратитесь в техподдержку.**

**Значение по умолчанию** ip-port:2324  
**Формат** linuxsh [*ip-port*]  
**Режим ввода команд** Привилегированный режим

Параметр	Описание
ip-port	Номер слушающего IP-порта демона telnet. Параметр ip-port может иметь значения от 1 до 65535. Значение по умолчанию: 2324

### show loginsession

Отобразить текущие соединения с коммутатором, установленные посредством Telnet, SSH и консольного порта, и сокращенные имена пользователей. Для отражения полных имен пользователей используйте команду `show loginsession long`.

**Формат** show loginsession  
**Режим ввода команд** Привилегированный режим

Параметр	Описание
ID	Идентификатор сессии
User Name	Имя пользователя, вводимое для входа в систему
Connection From	IP-адрес устройства удаленного клиента или EIA-232 для консольного порта
Idle Time	Время бездействия
Session Time	Общее время сессии
Session Type	Отображает тип сессии, может быть: HTTP, HTTPS, telnet, serial (консольный порт) или SSH

### show loginsession long

Данная команда отображает полные имена пользователей, подключенных к коммутатору.

**Формат** show loginsession long  
**Режим ввода команд** Привилегированный режим

## 7.8 Команды настройки контроля учетных записей пользователя

Данный подраздел содержит команды, используемые для управления пользователями системы, их добавления и удаления. В системе по умолчанию есть два пользователя:

Администратор и Гость. Администратор может просматривать и конфигурировать системные настройки, а Гость может только просматривать настройки.



**Нельзя удалить пользователя «Администратор». Может существовать только один пользователь с привилегиями уровня 15. Вы можете сконфигурировать до 5 пользователей уровня 1.**

### **aaa authentication login**

Настроить аутентификацию при входе на устройство. Произвольный список имен или список имен по умолчанию, созданный при помощи данной команды, используется с командой `aaa authentication login`. Для создания списка введите команду `aaa authentication login list-name method`, где `list-name` представляет собой любую последовательность знаков, используемую для наименования списка. `Method` означает методы, применяемые алгоритмом аутентификации в заданной последовательности.

Дополнительные методы аутентификации используются только в случае получения сообщения об ошибке в вышеуказанном методе, но не в случае ошибки аутентификации. Чтобы убедиться, что аутентификация прошла успешно, даже в случае ошибки всех методов аутентификации, укажите в командной строке `none`, как последний метод аутентификации. Например, если в качестве метода аутентификации после метода `radius` указано `none`, то аутентификация не потребуется, если RADIUS-сервер перестал отвечать.

**Значение по умолчанию**      `defaultList`. Используется в консоли и включает только метод `none`.  
`networkList`. Используется `telnet` и `SSH`, содержит только метод `local`.

**Формат**                              `aaa authentication login {default | list-name} method1`  
`[method2...]`

**Режим ввода команд**              Режим глобальной конфигурации

<i>Параметр</i>	<i>Описание</i>
<b>default</b>	При регистрации пользователя методы аутентификации, следующие за данным параметром, используются в качестве методов по умолчанию.
<b>list-name</b>	Последовательность символов (не более 15 символов), которая используется для наименования списка методов аутентификации, активирующихся при регистрации пользователя.
<b>method1...</b> <b>[method2...]</b>	Один из следующих: <ul style="list-style-type: none"> <li>• <i>deny</i>. Используется для отказа в доступе</li> <li>• <i>enable</i>. Использует для аутентификации пароль <code>enable</code></li> <li>• <i>line</i>. Использует для аутентификации пароль <code>line</code>.</li> <li>• <i>none</i>. Аутентификация не используется.</li> <li>• <i>radius</i>. Использует для аутентификации все RADIUS-сервера.</li> <li>• <i>tacacs</i>. Использует для аутентификации все сервера TACACS+.</li> </ul>

### **no aaa authentication login**

Сбросить настройки к значениям по умолчанию.

**Формат** aaa authentication login {default | *List-name*}

**Режим ввода команд** Режим глобальной конфигурации

### ***aaa authentication enable***

Настроить аутентификацию для доступа к более высоким уровням привилегий. Список enable по умолчанию - enableList. Он используется только при работе с консолью и включает такие методы как enable, за которым следует none.

Отдельный enable-список, enableNetList, по умолчанию используется для Telnet и SSH совместно enableList. Этот список по умолчанию подходит для протоколов Telnet и SSH и включает в себя enable, за которым следуют методы deny. В соответствии с исходными настройками ПО, пароль enable не подлежит конфигурированию. Это означает, что в соответствии с исходными настройками, пользователи протоколов Telnet и SSH не имеют доступа к режиму высоких привилегий EXEC. С другой стороны, исходные настройки всегда позволяют пользователю консоли входить в режим высоких привилегий без ввода пароля enable.

Названия списка по умолчанию и опционального списка задаются командой aaa authentication enable и используются вместе с командой enable authentication. Создать список можно при помощи команды aaa authentication enable list-name method, где параметр list-name представляет собой последовательность символов, используемую для наименования списка. Параметр method определяет список методов, которые, в соответствии с заданной последовательностью, применяет алгоритм аутентификации.

Диспетчер пользователей присылает сообщение об ошибке ERROR (не «PASS» или «FAIL») при использовании методов enable и line, если пароль не был сконфигурирован, и затем запускает следующий метод из списка аутентификации. Метод none означает, что аутентификация не требуется.

Пароль enable будет подсказываться только в том случае, если он требуется. Следующие методы аутентификации пароля не требуют:

- none (не указано)
- deny (отклонено)
- enable (если пароль enable не сконфигурирован)
- line (если пароль line не сконфигурирован)

В примерах a и b запрос пароля не выводится, однако, поскольку в примерах c и d содержатся методы radius и tacacs, запрос о вводе пароля выведется на экран.

Если методы входа в систему включают только enable, но пароль enable не сконфигурирован, то в таком случае система не запрашивает имя пользователя, а только пароль. ПО поддерживает введение дополнительных методов после метода local в списке аутентификации и авторизации. Если пользователь отсутствует в локальной базе данных, то применяется следующий по списку сконфигурированный метод.

Дополнительные методы аутентификации используются, только если при использовании других методов поступило сообщение об ошибке, но не в случае неудачи аутентификации. Чтобы убедиться, что аутентификация прошла успешно, даже если сообщение об ошибке поступило при использовании всех методов аутентификации, укажите в командной строке метод none в качестве последнего метода аутентификации.

Используйте команду `show authorization methods`, чтобы просмотреть информацию о методах аутентификации.



**Запросы, которые маршрутизатор посылает серверу RADIUS, включают имя пользователя `$enabx$`, где `x` означает запрашиваемый уровень привилегий. Для аутентификации на сервере Radius, добавьте к ним пользователей `$enabx$`. Тогда регистрационный ID будет направляться серверам TACACS+ для аутентификации.**

**Значение по умолчанию**      Значение по умолчанию  
**Формат**                            `aaa authentication enable {default | list-name} method1 [method2...]`  
**Режим ввода команд**            Режим глобальной конфигурации

Параметр	Описание
<b>default</b>	Использует список методов аутентификации, следующих за данным параметром, в качестве методов по умолчанию на высоких уровнях привилегий.
<b>list-name</b>	Последовательность символов, используемая для наименования активированных методов аутентификации при использовании доступа к высоким уровням привилегий. Не более 15 символов.
<b>Method1 [method2...]</b>	Выберите один (или более) из указанных ниже: <ul style="list-style-type: none"> <li>• <i>deny</i>. Используется для отказа в доступе.</li> <li>• <i>enable</i>. Использует для аутентификации пароль <code>enable</code>.</li> <li>• <i>line</i>. Использует для аутентификации пароль <code>line</code>.</li> <li>• <i>none</i>. Аутентификация не используется.</li> <li>• <i>radius</i>. Использует для аутентификации все RADIUS-сервера.</li> <li>• <i>tacacs</i>. Использует для аутентификации все сервера TACACS+.</li> </ul>

**Пример:** Данный пример показывает запуск аутентификации на высоких уровнях.

```
(switch)(config)# aaa authentication enable default enable
```

*no aaa authentication enable*

Сбросить настройки конфигурации к значениям по умолчанию.

**Формат**                            `no aaa authentication enable {default | list-name}`  
**Режим ввода команд**            Режим глобальной конфигурации

### **aaa authorization**

Данная команда используется для конфигурирования списков методов авторизации для ввода команд и режимов конфигурирования командной строки. Список определяется параметром "default" (по умолчанию) или заданным пользователем параметром "list\_name" (имя списка). Может быть указано не более пяти методов авторизации.



**Метод local не поддерживает авторизацию ввода команд.**



## Авторизация ввода команд

Когда сконфигурирована авторизация для режима line, диспетчер пользователей (User Manager) отправляет информацию о введенных командах на сервер AAA. Сервер AAA подтверждает получение команды и отправляет ответ PASS (разрешена) или FAIL (разрешена). Если команда разрешена, она выполняется. В противном случае, если команда отклонена, пользователь получает сообщение об ошибке. Различные служебные команды, такие как tftp, а также ping и исходящие сессии протокола telnet также должны проходить авторизацию. Применение сценариев script рассматривается как выполнение отдельной команды и тоже проходит авторизацию. Команды конфигурации начальной загрузки, используемые при запуске устройства, не подвержены процедуре авторизации.

Порядок авторизации ввода команд:

- 1 Конфигурирование списка методов авторизации

```
aaa authorization commands listname tacacs radius none
```

- 2 Применение списка методов авторизации для line режима (консоль, telnet, SSH)

```
authorization commands listname
```

- 3 Команды, вводимые пользователем, пройдут авторизацию через серверы TACACS+ или RADIUS и будут приняты или отклонены.

## Авторизация режима конфигурирования командной строки

Когда параметры авторизации режима конфигурирования командной строки применяются для line, команда enable для входа в привилегированный режим может не требоваться. Если ответ авторизации показывает, что уровень пользователя достаточно высок для входа в привилегированный режим, пользователь получает к нему полный доступ.

Порядок авторизации пользовательского режима (exec):

- 1 Конфигурирование списка методов авторизации

```
aaa authorization exec listname method1 [method2....]
```

- 2 Применение списка методов авторизации в режиме line (консоль, telnet, SSH)

```
authorization exec listname
```

- 3 При входе пользователя в систему, в дополнение к аутентификации (log in) проводится авторизация, чтобы определить, обладает ли пользователь правом на прямой доступ к привилегированному режиму.

**Формат** `aaa authorization {commands|exec} {default|list-name} method1[method2]`

**Режим ввода команд** Режим глобальной конфигурации

Параметр	Описание
commands	Проверяет авторизацию всех команд пользователя

<b>exec</b>	Проверяет авторизацию пользовательского режима
<b>default</b>	Список методов авторизации сервисов по умолчанию
<b>list-name</b>	Буквенно-цифровая последовательность символов, используемая в качестве имени списка методов авторизации
<b>method</b>	Допустимые значения: TACACS+/RADIUS/Local и none

### *no aaa authorization*

Удалить список методов авторизации.

**Формат** `no aaa authorization {commands|exec} {default|list-name}`

**Режим ввода команд** Режим глобальной конфигурации

### ***authorization commands***

Данная команда применяет список методов авторизации ввода команд для режима доступа. Порядок конфигурирования авторизации ввода команд см. в разделе `aaa authorization`.

**Формат** `authorization commands [default|list-name]`

**Режим ввода команд** Line console, Line telnet, Line SSH

<i>Параметр</i>	<i>Описание</i>
<b>commands</b>	Запускает авторизацию для каждого исполнения команды.

### *no authorization commands*

Убрать авторизацию ввода команд для режима доступа.

**Формат** `no authorization {commands|exec}`

**Режим ввода команд** Line console, Line telnet, Line SSH

### ***authorization exec***

Данная команда применяет список методов авторизации режима конфигурирования командной строки для метода доступа так, что пользователь может не использовать команду `enable` для входа в привилегированный режим. Порядок конфигурирования авторизации см. в разделе `aaa authorization`.

**Формат** `authorization exec list-name`

**Режим ввода команд** Line console, Line telnet, Line SSH

<i>Параметр</i>	<i>Описание</i>
<b>list-name</b>	Список методов авторизации пользовательского режима.

### *no authorization exec*

Убрать авторизацию команд для режима конфигурирования командной строки.

**Формат** `no authorization exec`

**Режим ввода команд** Line console, Line telnet, Line SSH

### ***authorization exec default***

Данная команда применяет заданный по умолчанию список методов авторизации режима конфигурирования командной строки для метода доступа так, что пользователь может не использовать команду `enable` для входа в привилегированный режим. Порядок конфигурирования авторизации см. в разделе `aaa authorization`.

**Формат** authorization exec default

**Режим ввода команд** Line console, Line telnet, Line SSH

### ***no authorization exec default***

Убрать авторизацию режима конфигурирования командной строки.

**Формат** no authorization exec default

**Режим ввода команд** Line console, Line telnet, Line SSH

### ***show authorization methods***

Показать сконфигурированные списки методов авторизации.

**Формат** show authorization methods

**Режим ввода команд** Привилегированный режим

### ***enable authentication***

Задать список методов аутентификации при доступе к уровню высоких привилегий через удаленное соединение telnet или консоль.

**Формат** enable authentication {default | *List-name*}

**Режим ввода команд** Режим конфигурирования командной строки

<i>Параметр</i>	<i>Описание</i>
<b>default</b>	Используется список по умолчанию, созданный при помощи команды <code>aaa authentication</code> .
<b>list-name</b>	Используется указанный список, созданный при помощи команды <code>aaa authentication enable</code> .

### ***no enable authentication***

Сбросить настройки к значениям по умолчанию, заданным командой `enable authentication`.

**Формат** no enable authentication

**Режим ввода команд** Режим конфигурирования командной строки

### ***username (Режим глобальной конфигурации)***

Используйте команду `username` в режиме глобальной конфигурации для добавления нового пользователя в базу данных локальных пользователей. Уровень привилегий по умолчанию 1.

Использование ключевого слова `encrypted` позволяет администратору переносить пароли локальных пользователей между устройствами, не зная самих паролей. Когда параметр `password` используется вместе с параметром `encrypted`, длина пароля должна равняться 128 шестнадцатеричным символам. Если активирована проверка пароля на надежность, данная команда проверяет надежность пароля и присылает сообщение о соответствующей ошибке, если пароль не отвечает критериям безопасности. Опциональный параметр `override-complexity-check` активирует проверку надежности пароля.

**Формат** `username name {password password [encrypted [override-complexity-check] | level level [encrypted [override-complexity-check]] | override-complexity-check} | {level level [override-complexity-check] password}`

**Режим ввода команд** Режим глобальной конфигурации

<i>Параметр</i>	<i>Описание</i>
<b>name</b>	Имя пользователя. Длина: 1-64 символов
<b>password</b>	Аутентификационный пароль пользователя. Длина 8-64 символов. Данное значение может быть 0, если не была использована команда <code>passwords min-length</code> . В пароле допустимы специальные символы, в том числе <code>!#\$%&amp;'()*+,-./:;&lt;=&gt;@[\\]^_`{ }~</code> .
<b>level</b>	Уровень пользователя. Пользователь уровня 15 может назначить другому пользователю уровень 0 для запрета доступа этому пользователю. Значения: 0-15. Укажите уровень доступа 1 для непривилегированного режима ( <code>switch&gt; prompt</code> ) или 15 для доступа к высшему уровню привилегий ( <code>switch# prompt</code> ). Если данный опциональный параметр не задан, уровень привилегий будет 1.
<b>encrypted</b>	Пароль, который вводится путем копирования из другой конфигурации коммутатора
<b>override-complexity-check</b>	Отменяет проверку надежности пароля

*no username*

Удалить пользователя.

**Формат** `no username name`

**Режим ввода команд** Режим глобальной конфигурации

***username nopassword***

Удалить существующий пользовательский пароль (NULL password).

**Формат** `username name nopassword [level level]`

**Режим ввода команд** Режим глобальной конфигурации

<i>Параметр</i>	<i>Описание</i>
<b>name</b>	Имя пользователя. Длина: 1-32 символа
<b>password</b>	Аутентификационный пароль пользователя. Длина 8-64 символа
<b>level</b>	Уровень пользователя. Уровень 0 может быть назначен пользователем уровня 15 другому пользователю для запрета доступа этому пользователю. Значения: 0-15.

### ***username unlock***

Разблокировать заблокированный аккаунт пользователя. Только пользователь с уровнем доступа 15 может снова открыть доступ к заблокированному аккаунту пользователя.

**Формат** `username name unlock`  
**Режим ввода команд** Режим глобальной конфигурации

### ***username snmpv3 accessmode***

Данная команда задает привилегии доступа snmpv3 для зарегистрированных пользователей. Действующие параметры режима доступа - `readonly` (только чтение) или `readwrite` (чтение и запись). Параметр *username* представляет собой зарегистрированное имя пользователя, за которым закреплен определенный режим доступа. Для пользователя "admin" (Администратор) значением по умолчанию является `readwrite`, а для всех остальных пользователей - `readonly`. Параметр *username* должен вводиться в том же регистре, что использовался при добавлении имени пользователя. Для просмотра регистра *username*, введите команду `show users`.

**Значение по умолчанию** Администратор – `readwrite` (чтение и запись)  
Прочие – `readonly` (только чтение)  
**Формат** `username snmpv3 accessmode username {readonly | readwrite}`  
**Режим ввода команд** Режим глобальной конфигурации

### ***no username snmpv3 accessmode***

Данная команда устанавливает привилегии доступа snmpv3 для определенных пользователей, для пользователя "admin" (Администратор) это **`readwrite`**, для всех остальных – **`readonly`**. Параметр *username* – имя пользователя, за которым закреплен определенный режим доступа.

**Формат** `no username snmpv3 accessmode username`  
**Режим ввода команд** Режим глобальной конфигурации

### ***username snmpv3 authentication***

Задать протокол аутентификации, который будет использоваться для определенного пользователя. Допустимые значения протоколов: `none`, `md5` или `sha`. Если вы указываете `md5` или `sha`, пароль для входа в систему также используется, как пароль аутентификации snmpv3, и, таким образом, должен состоять не менее чем из восьми символов. Параметр *username* представляет собой имя пользователя, за которым закреплен определенный протокол аутентификации. Параметр *username* должен быть введен в том же регистре, что использовался при добавлении пользователя. Для просмотра регистра *username*, введите команду `show users`.

**Значение по умолчанию** Аутентификация не используется  
**Формат** `username snmpv3 authentication username {none | md5 | sha}`  
**Режим ввода команд** Режим глобальной конфигурации

### *no username snmpv3 authentication*

Задать параметр `none` (не используется) в качестве протокола аутентификации, закрепленного за определенным пользователем. Параметр `username` представляет собой имя пользователя, за которым закреплен определенный протокол аутентификации.

**Формат** `no username snmpv3 authentication username`

**Режим ввода команд** Режим глобальной конфигурации

### *username snmpv3 encryption*

Данная команда определяет протокол шифрования, закрепленный за определенным пользователем. Допустимые значения параметра: `des` или `none`.

Если выбран параметр `des`, вы можете указать ключ в командной строке. Длина ключа шифрования должна быть от 8 до 64 символов. Если выбран параметр `des`, но ключ не указан, пользователю будет выведен запрос ключа. При использовании протокола `des` пароль для входа в систему также используется, как пароль шифрования `snmpv3`, таким образом, он должен состоять не менее чем из восьми символов. Если выбрано `none`, ключ шифрования не требуется.

Параметр `username` представляет собой регистрационное имя пользователя, за которым закреплен определенный протокол шифрования. Параметр `username` должен быть введен в том же регистре, что использовался при добавлении пользователя. Для просмотра регистра `username`, введите команду `show users`.

**Значение по умолчанию** Шифрование не используется

**Формат** `username snmpv3 encryption username {none | des[key]}`

**Режим ввода команд** Режим глобальной конфигурации

### *no username snmpv3 encryption*

Настроить протокол шифрования как **none**. Параметр `username` представляет собой регистрационное имя пользователя, за которым закреплен определенный протокол шифрования.

**Формат** `no username snmpv3 encryption username`

**Режим ввода команд** Режим глобальной конфигурации

### *username snmpv3 encryption encrypted*

Задать протокол шифрования `des` и ключ шифрования для определенного пользователя. Длина ключа шифрования должна быть от 8 до 64 символов.

**Значение по умолчанию** Шифрование не используется

**Формат** `username snmpv3 encryption encrypted username des key`

**Режим ввода команд** Режим глобальной конфигурации

### *show users*

Отобразить сокращенные имена сконфигурованных пользователей и их настройки. Для отображения полных имен пользователей используйте команду `users long`. Команда `show users` доступна только на 15 уровне привилегий. Поля `SNMPv3` будут отображены, только в случае если `SNMP` доступен для данной системы.

**Формат** show users  
**Режим ввода команд** Привилегированный режим

<i>Параметр</i>	<i>Описание</i>
<b>User Name</b>	Имя пользователя, которое вводится для регистрации при использовании порта с последовательным выводом данных, Telnet или Web.
<b>Access Mode</b>	Показывает, может ли пользователь менять параметры коммутатора (уровень 15) или только просматривать их (уровень 1). Согласно настройкам по умолчанию, пользователю "admin" (Администратор) присвоен уровень доступа 15, а пользователю "guest" (Гость) – уровень доступа 1
<b>SNMPv3 Access Mode</b>	Режим доступа SNMPv3. Если значение установлено на ReadWrite, пользователь SNMPv3 может просматривать параметры системы и изменять их. Если значение установлено на ReadOnly, пользователь SNMPv3 может только просматривать информацию о параметрах. Режим доступа SNMPv3 может отличаться от режимов доступа CLI и Web
<b>SNMPv3 Authentication</b>	Протокол аутентификации, закрепленный за определенным зарегистрированным пользователем
<b>SNMPv3 Encryption</b>	Протокол шифрования, закрепленный за определенным зарегистрированным пользователем

### **show users long**

Отобразить полные имена сконфигурованных пользователей коммутатора.

**Формат** show users long  
**Режим ввода команд** Привилегированный режим

### **show users accounts**

Отобразить статус локального пользователя с учетом блокировки учетных записей и устаревания пароля. Выводятся сокращенные имена пользователей. Используйте команду *show users long* для отображения полных имен пользователей.

**Формат** show users accounts [detail]  
**Режим ввода команд** Привилегированный режим

<i>Параметр</i>	<i>Описание</i>
<b>User Name</b>	Имя пользователя локального пользовательского аккаунта
<b>Access Level</b>	Уровень доступа пользователя. 1 для непривилегированного доступа (switch>prompt) или 15 для доступа к высшему уровню привилегий (switch# prompt).
<b>Password Aging</b>	Число дней с момента последней конфигурации пароля, по прошествии которых срок действия пароля истекает
<b>Password Expiry Date</b>	Время устаревания пароля в формате даты
<b>Lockout</b>	Показывает, заблокирован ли пользовательский аккаунт (true или false)

Если указан конкретный ключ шифрования, отображается следующее дополнительное поле.

<i>Параметр</i>	<i>Описание</i>
<b>Password Override</b>	Отображает статус проверки безопасности пароля пользователя. По умолчанию

<b>Complexity Check</b>	выключен.
<b>Password Strength</b>	Отображает безопасность пользовательского пароля (Strong или Weak). Данное поле отображается только в том случае, если параметр безопасности пароля включен.

### ***show users login-history [long]***

Показать информацию об истории подключений пользователей.

**Формат** `show users login-history [long]`

**Режим ввода команд** Привилегированный режим

### ***show users login-history [username]***

Показать информацию об истории подключений пользователей.

**Формат** `show users login-history [username name]`

**Режим ввода команд** Привилегированный режим

<i>Параметр</i>	<i>Описание</i>
<b>name</b>	Имя пользователя. Длина: 1-20 символов

### ***login authentication***

Задать список методов аутентификации регистрационного имени для способа подключения (консоль, telnet, или SSH). Конфигурация по умолчанию использует набор методов по умолчанию с командой *aaa authentication login*.

**Формат** `login authentication {default | list-name}`

**Режим ввода команд** Конфигурирования командной строки

<i>Параметр</i>	<i>Описание</i>
<b>default</b>	Использует список по умолчанию, создаваемый с командой <i>aaa authentication login</i>
<b>list-name</b>	Использует указанный список, создаваемый с командой <i>aaa authentication login</i>

### ***no login authentication***

Сбросить настройки к значениям по умолчанию, определяемым командой *authentication login*.

### ***password***

Данная команда позволяет авторизованным пользователям менять свои пароли, не имея 15 уровень привилегий.

**Формат** `password cr`

**Режим ввода команд** Пользовательский режим



### ***password (Режим конфигурирования командной строки)***

Используйте команду *password* в режиме конфигурирования командной строки для ввода пароля. Согласно настройкам конфигурации по умолчанию, пароль не требуется.

**Формат** password [*password* [encrypted]]  
**Режим ввода команд** Режим конфигурирования командной строки

<b>Параметр</b>	<b>Описание</b>
<b>password</b>	Пароль для данного уровня. Длина: 8-64 символа
<b>encrypted</b>	Зашифрованный пароль для ввода, который копируется из другой конфигурации коммутатора. Длина зашифрованного пароля должна быть 128 символов, предполагается, что данный пароль уже зашифрован AES.

### ***no password (Режим конфигурирования командной строки)***

Удалить пароль.

**Формат** no password  
**Режим ввода команд** Режим конфигурирования командной строки

### ***password (Пользовательский режим)***

Данная команда используется для предоставления возможности пользователю менять только свой пароль. Данная команда используется после истечения срока действия пароля. Пользователю потребуется ввести старый и новый пароли.

**Формат** password  
**Режим ввода команд** Пользовательский режим

### ***password (Режим конфигурации пользователя IAS aaa)***

Сконфигурировать пароль для пользователя. Опциональный параметр [encrypted] указывает, что пароль, заданный в команде, уже был предварительно зашифрован.

**Формат** password *password* [encrypted]  
**Режим ввода команд** Режим конфигурации пользователя IAS aaa

### ***no password (Режим конфигурации пользователя IAS aaa)***

Отменить пароль для пользователя.

**Формат** no password  
**Режим ввода команд** Режим конфигурации пользователя IAS aaa

### ***enable password (Привилегированный режим)***

Установить локальный пароль контроля доступа к привилегированному режиму.

**Формат** enable password [*password* [encrypted]]

Режим ввода команд                      Привилегированный режим

<i>Параметр</i>	<i>Описание</i>
<b>password</b>	Строка пароля. Длина: 8-64 символов
<b>encrypted</b>	Вводимый зашифрованный пароль, который копируется с другой конфигурации коммутатора. Зашифрованный пароль должен состоять из 128 символов, поскольку предполагается, что данный пароль уже зашифрован AES

*no enable password (привилегированный режим)*

Отменить запрос пароля.

**Формат**                                      no enable password  
**Режим ввода команд**                      Привилегированный режим

***passwords min-length***

Задать минимальную длину пароля для локального пользователя. Значение также подходит для пароля enable. Допустимы значения 8-64.

**По умолчанию**                              8  
**Формат**                                      passwords min-length 8-64  
**Режим ввода команд**                      Режим глобальной конфигурации

*no passwords min-length*

Сбросить настройки минимальной длины пароля к значению по умолчанию.

**Формат**                                      no passwords min-length  
**Режим ввода команд**                      Режим глобальной конфигурации

***passwords history***

Задать количество предыдущих паролей, сохраняющихся для каждого пользовательского аккаунта. Когда локальный пользователь меняет пароль, он не сможет повторно использовать пароль, который хранится в истории паролей. Таким образом, можно удостовериться, что пользователь не использует часто один и тот же пароль. Допустимые значения: 0-10.

**По умолчанию**                              0  
**Формат**                                      passwords history 0-10  
**Режим ввода команд**                      Режим глобальной конфигурации

*no passwords history*

Сбросить настройки истории паролей к значению по умолчанию.

**Формат**                                      no passwords history  
**Режим ввода команд**                      Режим глобальной конфигурации

### ***passwords aging***

Настроить срок действия паролей локальных пользователей. Когда время действия пользовательского пароля истекает, пользователю потребуется сменить пароль перед повторным входом в систему. Допустимые значения 1-365. Значение по умолчанию – 0 (пароли не устаревают).

<b>Значение по умолчанию</b>	0
<b>Формат</b>	passwords aging 1-365
<b>Режим ввода команд</b>	Режим глобальной конфигурации

### ***no passwords aging***

Сбросить настройки устаревания паролей к значению по умолчанию.

<b>Формат</b>	no passwords aging
<b>Режим ввода команд</b>	Режим глобальной конфигурации

### ***passwords lock-out***

Данная команда используется для повышения безопасности коммутатора путем блокировки аккаунтов пользователей в случае неправильного ввода пароля. Когда устанавливается отсчет блокировки, для входа в систему пользователю необходимо правильно ввести пароль за определенное число попыток. В противном случае, дальнейший доступ пользователя к коммутатору будет заблокирован. Только пользователь 15 уровня доступа может разблокировать заблокированный пользовательский аккаунт. Блокировка не применяется при авторизации с последовательной консоли. Допустимые значения: 1-5. Значение по умолчанию – 0 (блокировка не предусмотрена).

<b>Значение по умолчанию</b>	0
<b>Формат</b>	passwords lock-out 1-5
<b>Режим ввода команд</b>	Режим глобальной конфигурации

### ***no passwords lock-out***

Сбросить настройки количества неверных попыток при вводе пароля к значению по умолчанию.

<b>Формат</b>	no passwords lock-out
<b>Режим ввода команд</b>	Режим глобальной конфигурации

### ***passwords strength-check***

Включить проверку безопасности пароля. Она используется для подтверждения безопасности пароля в процессе его конфигурирования.

<b>Значение по умолчанию</b>	Выключено
<b>Формат</b>	passwords strength-check
<b>Режим ввода команд</b>	Режим глобальной конфигурации

---

### *no passwords strength-check*

Сбросить настройки проверки надежности пароля к значению по умолчанию.

**Формат** no passwords strength-check  
**Режим ввода команд** Режим глобальной конфигурации

### ***passwords strength maximum consecutive-characters***

Настроить максимальное количество последовательных символов, которые используются для обеспечения безопасности пароля. Допустимые значения: 0-15. Значение по умолчанию - 0. Минимальное значение 0 означает отсутствие ограничений.

**Значение по умолчанию** 0  
**Формат** passwords strength maximum consecutive-characters 0-15  
**Режим ввода команд** Режим глобальной конфигурации

### ***passwords strength maximum repeated-characters***

Настроить максимальное количество повторяющихся символов, допустимых к использованию, для обеспечения безопасности пароля. Допустимые значения: 0-15. Значение по умолчанию 0. Минимальное значение 0 означает отсутствие ограничений.

**Значение по умолчанию** 0  
**Формат** passwords strength maximum consecutive-characters 0-15  
**Режим ввода команд** Режим глобальной конфигурации

### ***passwords strength minimum uppercase-letters***

Настроить минимальное количество символов верхнего регистра, которое должен содержать пароль. Допустимые значения: 0-16. Значение по умолчанию – 2. Минимальное значение 0 означает отсутствие ограничений.

**Значение по умолчанию** 2  
**Формат** passwords strength minimum uppercase-letters  
**Режим ввода команд** Режим глобальной конфигурации

### *no passwords strength minimum uppercase-letters*

Сбросить минимально требуемое количество букв верхнего регистра в пароле к значению по умолчанию.

**Формат** no passwords minimum uppercase-letter  
**Режим ввода команд** Режим глобальной конфигурации

### ***passwords strength minimum lowercase-letters***

Настроить минимальное количество символов нижнего регистра, которое должен содержать пароль. Допустимые значения: 0-16. Значение по умолчанию – 2. Минимальное значение 0 означает отсутствие ограничений.

**Значение по умолчанию** 2

<b>Формат</b>	passwords strength minimum lowercase-letters
<b>Режим ввода команд</b>	Режим глобальной конфигурации

*no passwords strength minimum lowercase-letters*

Сбросить минимально требуемое количество букв нижнего регистра в пароле к значению по умолчанию.

<b>Формат</b>	no passwords minimum lowercase-letter
<b>Режим ввода команд</b>	Режим глобальной конфигурации

***passwords strength minimum numeric-characters***

Настроить минимальное количество цифровых символов, которое должен содержать пароль. Допустимые значения: 0-16. Значение по умолчанию – 2. Минимальное значение 0 означает отсутствие ограничений.

<b>Значение по умолчанию</b>	2
<b>Формат</b>	passwords strength minimum numeric-characters
<b>Режим ввода команд</b>	Режим глобальной конфигурации

*no passwords strength minimum numeric-characters*

Сбросить минимально требуемое количество цифровых символов в пароле к значению по умолчанию.

<b>Формат</b>	no passwords minimum numeric-characters
<b>Режим ввода команд</b>	Режим глобальной конфигурации

***passwords strength minimum special-characters***

Настроить минимальное количество специальных символов, которое должен содержать пароль. Допустимые значения: 0-16. Значение по умолчанию – 2. Минимальное значение 0 означает отсутствие ограничений.

<b>Значение по умолчанию</b>	2
<b>Формат</b>	passwords strength minimum special-characters
<b>Режим ввода команд</b>	Режим глобальной конфигурации

*no passwords strength minimum special-characters*

Сбросить минимально требуемое количество специальных символов в пароле к значению по умолчанию.

<b>Формат</b>	no passwords minimum special-characters
<b>Режим ввода команд</b>	Режим глобальной конфигурации

### ***passwords strength minimum character-classes***

Настроить минимальное количество классов символов, которое должен содержать пароль. Класс символов включает в себя буквы верхнего регистра, буквы нижнего регистра, цифры и специальные символы. Допустимые значения: 0-4. Значение по умолчанию – 4.

**Значение по умолчанию**      4

**Формат**                              passwords strength minimum character-classes

**Режим ввода команд**            Режим глобальной конфигурации

### ***no passwords strength minimum character-classes***

Сбросить минимально требуемое количество классов символов в пароле к значению по умолчанию.

**Формат**                              no passwords minimum character-classes

**Режим ввода команд**            Режим глобальной конфигурации

### ***passwords strength exclude-keyword***

Данная команда используется для исключения ключевого слова при конфигурировании пароля. Пароль не принимает ключевое слово в любой форме (внутри строки, нечувствительно к регистру и в обратной последовательности) как подстроку. Пользователь может сконфигурировать не более 3 ключевых слов.

**Формат**                              passwords strength exclude-keyword *keyword*

**Режим ввода команд**            Режим глобальной конфигурации

### ***no passwords strength exclude-keyword***

Сбросить ограничение для определенного конфигурируемого ключевого слова или всех конфигурируемых ключевых слов к значению по умолчанию.

**Формат**                              no passwords exclude-keyword [*keyword*]

**Режим ввода команд**            Режим глобальной конфигурации

### ***show passwords configuration***

Данная команда отображает настройки управления конфигурируемого пароля.

**Формат**                              show passwords configuration

**Режим ввода команд**            Привилегированный режим

<b><i>Параметр</i></b>	<b><i>Описание</i></b>
<b>Minimum Password Length</b>	Минимальное число символов, требуемое при смене паролей
<b>Password History</b>	Число паролей, которые хранятся для предотвращения их повторного использования
<b>Password Aging</b>	Временной промежуток в днях, в течение которого пароль является дейст-

	вительным
<b>Lockout Attempts</b>	Число неудавшихся попыток авторизации, предпринятых перед блокировкой
<b>Minimum Password Uppercase Letters</b>	Минимальное требуемое число символов верхнего регистра при конфигурации пароля
<b>Minimum Password Lowercase Letters</b>	Минимальное требуемое число символов нижнего регистра при конфигурации пароля.
<b>Minimum Password Numeric Characters</b>	Минимальное требуемое число цифр при конфигурации пароля.
<b>Maximum Password Consecutive Characters</b>	Максимальная длина последовательности символов, которые допустима при конфигурации пароля
<b>Maximum Password Repeated Characters</b>	Максимальное допустимое число повторяющихся символов при конфигурации пароля
<b>Minimum Password Character Classes</b>	Минимальное допустимое число классов символов (верхнего регистра, нижнего регистра, цифр и специальных символов) при конфигурации пароля
<b>Password Exclude-Keywords</b>	Набор ключевых слов, исключаемых из конфигурируемого пароля при активной опции проверки надежности пароля

### **show passwords result**

Отобразить последнюю информацию о состоянии паролей.

**Формат** `show passwords result`  
**Режим ввода команд** Привилегированный режим

<i>Параметр</i>	<i>Описание</i>
<b>Last User Whose Password Is Set</b>	Отображает имя последнего пользователя, который вводил пароль.
<b>Password Strength Check</b>	Показывает, активна ли проверка безопасности пароля.
<b>Last Password Set Result</b>	Показывает, была ли успешной попытка ввода пароля. Если попытка провалилась, будет указана причина.

### **aaa accounting**

Используйте эту команду в режиме глобальной конфигурации, чтобы создать список методов учета для сессий пользовательского режима, пользовательских команд или DOT1X. Этот список определяется параметром **"default"** (по умолчанию) или заданным пользователем параметром **"list\_name"** (имя списка). Запись учета может быть отправлена в начале и в конце (**start-stop**) или только в конце (**stop-only**). Если ни один не определен, то учет отключен для указанного списка. Если **tacacs** определен как метод учета, записи учёта регистрируются на **TACACS+** сервере. Если **radius** - указанный метод учета, записи учета регистрируются на сервере **RADIUS**.



Пожалуйста, обратите внимание:

- Может быть создано до 5 списков методов учёта для каждого режима выполнения и типа команд.
- Для DOT1X может быть создан только один список метода учёта по умолчанию. Более одного списка создать невозможно.
- Один и тот же список имен может быть использован для учета пользовательского режима и команд
- AAA-учёт команд не поддерживает RADIUS в качестве метода учёта.
- Start-stop или None – единственные режимы, поддерживающие типы записи для учёта DOT1X. Start-stop активирует учёт, а None – отключает.
- RADIUS – единственный тип метода учёта, поддерживаемый для учета DOT1X.

**Формат** `aaa accounting {exec | commands | dot1x} {default | list_name} {start-stop | stop- only | none} method1 [method2...]`

**Режим ввода команд** Режим глобальной конфигурации

Параметр	Описание
<b>exec</b>	Предоставляет учет для терминальных сессий пользовательского режима
<b>commands</b>	Обеспечивает учет всех выполненных команд пользователя
<b>dot1x</b>	Обеспечивает учет DOT1X
<b>default</b>	Список методов учета по умолчанию
<b>list-name</b>	Символьная строка – имя списка методов учета
<b>start-stop</b>	Отправляет уведомление о начале учета в начале процесса и уведомление об остановке учета при завершении процесса
<b>stop-only</b>	Отправляет уведомление об остановке учета при завершении пользовательского процесса
<b>none</b>	Отключает учетный сервис
<b>method</b>	Используйте сервер TACACS или RADIUS в целях учета

Администратор может изменить тип записи или список методов для существующего набора типов учёта и имени списка, удаление предыдущей конфигурации при этом не требуется.

```
(Routing) #
(Routing) #configure
(Routing) #aaa accounting exec ExecList stop-only tacacs
(Routing) #aaa accounting exec ExecList start-stop tacacs
(Routing) #aaa accounting exec ExecList start-stop tacacs radius
```

Первая **aaa** команда создает список методов для сессий пользовательского режима с именем ExecList, типом записи **record-type**, указанным как **stop-only**, и методом **method** – как TACACS +. Вторая команда изменяет **record type** на **start-stop** со **stop-only** для того же списка методов. Третья команда для того же списка изменяет список методов с **{tacacs}** на **{tacacs, radius}**

*no aaa accounting*

Удалить список методов учёта.

**Формат** `no aaa accounting {exec | commands | dot1x} {default | list_name default}`

**Режим ввода команд** Режим глобальной конфигурации



## **accounting**

Используйте эту команду в режиме конфигурирования командной строки, чтобы применить список методов учета к способам доступа (консоль / telnet / ssh).

**Формат** `accounting {exec | commands } {default | Listname}`

**Режим ввода команд** Режим конфигурирования командной строки

<i>Параметр</i>	<i>Описание</i>
<b>exec</b>	Только для начала/завершения сессии
<b>commands</b>	Для каждой введённой команды. Если пользователь включит режим учета пользовательского режима для текущего типа конфигурации командной строки, он выйдет из системы.
<b>default</b>	Список учёта по умолчанию
<b>listname</b>	Название списка. Строка не длиннее 15 символов.

## **no accounting**

Прекратить учет в режиме конфигурирования командной строки.

**Формат** `no accounting {exec|commands}`

**Режим ввода команд** Line Config

## **show accounting**

Вывести на экран перечень методов для списков учета.

**Формат** `show accounting`

**Режим ввода команд** Привилегированный режим

## **show accounting methods**

Вывести на экран сконфигурированные списки методов учета.

**Формат** `show accounting methods`

**Режим ввода команд** Привилегированный режим

## **clear accounting statistics**

Очистить статистику учёта.

**Формат** `clear accounting statistics`

**Режим ввода команд** Привилегированный режим

## **show domain-name**

Показать сконфигурированное имя домена.

**Формат** `show domain-name`

**Режим ввода команд** Привилегированный режим

### ***aaa ias-user username***

База данных IAS является особой внутренней базой, используемой для локальной идентификации пользователей для доступа к сети через функцию IEEE 802.1X.

Используйте команду `aaa ias-user username` в режиме глобальной конфигурации, чтобы добавить определенного пользователя в базу данных. Данная команда также производит переключение на режим конфигурации пользователя AAA.

**Формат** `aaa ias-user username user`  
**Режим ввода команд** Режим глобальной конфигурации

### ***no aaa ias-user username***

Убрать определённого пользователя из базы данных.

**Формат** `no aaa ias-user username user`  
**Режим ввода команд** Режим глобальной конфигурации

### ***aaa session-id***

Используйте команду в режиме глобальной конфигурации, чтобы определить, какой идентификатор используется для сессии AAA.

**По умолчанию** `common`  
**Формат** `aaa session-id [common | unique]`  
**Режим ввода команд** Режим глобальной конфигурации

<i>Параметр</i>	<i>Описание</i>
<b>common</b>	Использовать единый идентификатор сессии для всех типов обслуживания AAA
<b>unique</b>	Использовать отдельный идентификатор сессии для каждого типа обслуживания AAA

### ***no aaa session-id***

Используйте команду в режиме глобальной конфигурации для сброса идентификатор сессии `aaa` к значению по умолчанию.

**Формат** `no aaa session-id [unique]`  
**Режим ввода команд** Режим глобальной конфигурации

### ***password (Режим конфигурации пользователя IAS aaa)***

Сконфигурировать пароль для пользователя в базе данных IAS. Дополнительный параметр `encrypted` указывает, что пароль уже предварительно зашифрован.

**Формат** `password password [encrypted]`  
**Режим ввода команд** AAA IAS User Config

<i>Параметр</i>	<i>Описание</i>
<b>password</b>	Пароль для этого уровня: 8-64 знака
<b>encrypted</b>	Зашифрованный пароль, который может быть введён или скопирован с конфигурации другого коммутатора

### *no password (Режим конфигурации пользователя IAS aaa)*

Убрать пароль для пользователя.

**Формат** `no password`  
**Режим ввода команд** Режим конфигурации пользователя IAS AAA

### *clear aaa ias-users*

Удалить всех пользователей из базы данных IAS.

**Формат** `clear aaa ias-users`  
**Режим ввода команд** Привилегированный режим

<i>Параметр</i>	<i>Определение</i>
<b>password</b>	Пароль для этого уровня: 8-64 знака
<b>encrypted</b>	Зашифрованный пароль, который может быть введён или скопирован с конфигурации другого коммутатора

### *show aaa ias-users*

Показать сконфигурированных пользователей IAS и их атрибуты. Данная show-команда не показывает сконфигурированные пароли.

**Формат** `show aaa ias-users [username]`  
**Режим ввода команд** Привилегированный режим

## 7.9 Команды настройки протокола SNMP

Данный подраздел содержит описание команд конфигурирования протокола SNMP. Вы можете сконфигурировать коммутатор как агент SNMP, чтобы он мог связаться с SNMP-менеджерами Вашей сети.

### *snmp-server*

Настроить имя и физическое расположение коммутатора и организации, ответственной за сеть. Параметры *name*, *loc* и *con* могут включать в себя до 255 символов каждый.

**Значение по умолчанию** Нет  
**Формат** `snmp-server {sysname name | location loc | contact con}`  
**Режим ввода команд** Режим глобальной конфигурации



Чтобы очистить snmp-сервер, введите пустую строку в кавычках. Например, команда `snmp-server {sysname " "}` очищает имя системы.

### *snmp-server community*

Эта команда добавляет (и именуется) новое SNMP-сообщество; опциональные параметры устанавливают режим доступа, допустимый IP-адрес и представление для сообщества.



Имена сообщества в Таблице SNMP-сообщества (SNMP Community Table) должны быть уникальными. При создании нескольких записей под одним и тем же именем сообщества первая запись сохраняется и обрабатывается, все дублирующие записи игнорируются.

<b>Значение по умолчанию</b>	<p>Два вида сообщества могут быть созданы по умолчанию:</p> <ul style="list-style-type: none"> <li>• публичное (public), с полномочиями «только для чтения», именем представления по умолчанию и предоставлением доступа со всех IP-адресов</li> <li>• приватное (private), с полномочиями «чтения-записи», именем представления по умолчанию и предоставлением доступа со всех IP-адресов.</li> </ul>
<b>Формат</b>	<code>snmp-server community community-string [{ro   rw   su}] [ipaddress ip-address] [view view-name]</code>
<b>Режим ввода команд</b>	Режим глобальной конфигурации

<i>Параметр</i>	<i>Описание</i>
<b>community-name</b>	Имя, связанное с коммутатором и с рядом SNMP-менеджеров, которые управляют им в привилегированном режиме. Длина имени сообщества – до 16 символов (чувствительно к регистру).
<b>ro   rw   su</b>	Режим доступа SNMP-сообщества: может быть публичным (Read-Only/RO), приватным (Read-Write/RW) или Super User (SU).
<b>ip-address</b>	Адрес отправки пакета SNMP-сообщества, используемый вместе с клиентским значением маски IP, чтобы обозначить диапазон IP-адресов, от которых SNMP-клиенты могут получать доступ к устройству через данное сообщество. Значение 0.0.0.0 предоставляет доступ с любого IP-адреса. Для того, чтобы задать диапазон IP-адресов допустимых клиентов, объедините это значение с маской, используя операцию И (AND).
<b>view-name</b>	Имя представления для создания и обновления.

### *no snmp-server community*

Удалить SNMP сообщество из таблицы. *Name* – имя сообщества, которое будет удалено.

<b>Формат</b>	<code>no snmp-server community community-name</code>
<b>Режим ввода команд</b>	Режим глобальной конфигурации

### *snmp-server community-group*

Сконфигурировать сообщество, связанное с группой, чтобы разрешить доступ через протоколы SNMPv1 и SNMPv2c.

**Формат** `snmp-server community-group community-string group-name [ipaddress ipaddress]`

**Режим ввода команд** Режим глобальной конфигурации

<i>Параметр</i>	<i>Описание</i>
<b>community-string</b>	Сообщество, которое создано и затем связано с группой. Диапазон: 1-20 символов
<b>group-name</b>	Имя группы, с которой связано сообщество. Диапазон: 1-30 символов
<b>ipaddress</b>	Опциональный параметр. IPv4-адрес, с которого может быть осуществлен доступ к сообществу

### ***snmp-server enable traps violation***

Компонент привязки MAC к порту настраивает отправку SNMP-трапа при обнаружении нарушения, с частотой по умолчанию – 30 секунд. При выполнении в глобальном режиме данная команда конфигурирует режим отсылки трапов при нарушениях на всех интерфейсах с поддержкой защищенных портов. Глобальный режим конфигурирования трапа не существует как таковой.

**Значение по умолчанию** Выключено

**Формат** `snmp-server enable traps violation`

**Режим ввода команд** Режим глобальной конфигурации  
Режим конфигурирования интерфейса

### ***no snmp-server enable traps violation***

Выключить отправку новых трапов о нарушениях.

**Формат** `no snmp-server enable traps violation`

**Режим ввода команд** Режим конфигурирования интерфейса

### ***snmp-server enable traps***

Включить флаг аутентификации.

**Значение по умолчанию** Включено

**Формат** `snmp-server enable traps`

**Режим ввода команд** Режим глобальной конфигурации

### ***no snmp-server enable traps***

Выключить флаг аутентификации.

**Формат** `no snmp-server enable traps`

**Режим ввода команд** Режим глобальной конфигурации

### ***snmp-server enable traps bgp***

Опция `bgp` в вышеприведенной команде `snmp-server enable traps` включает два трапа, определенных в стандарте BGP MIB, RFC 4273. Трап отправляется, когда соседство достигает состояния УСТАНОВЛЕНО (ESTABLISHED) и когда происходит обратное изменение состояния соседства.

<b>Значение по умолчанию</b>	BGP-трапы по умолчанию выключены.
<b>Формат</b>	<code>snmp-server enable traps bgp state-changes limited</code>
<b>Режим ввода команд</b>	Режим глобальной конфигурации

<i>Параметр</i>	<i>Описание</i>
state-changes limited	Включает стандартные трапы, определённые в RFC 4273

### *no snmp-server enable traps bgp state-changes limited*

Выключить два трапа, определенных в стандарте BGP MIB, RFC 4273.

<b>Формат</b>	<code>no snmp-server enable traps bgp state-changes limited</code>
<b>Режим ввода команд</b>	Режим глобальной конфигурации

### *snmp-server enable traps fip-snooping*

Включить трапы отслеживания протокола FIP (FCoE Initialization Protocol) для всего коммутатора. Когда данная опция включена, трапы соединений отправляются, только если в настройках порта включен флаг Link Trap. См. раздел `show snmp`.

<b>Значение по умолчанию</b>	Включено
<b>Формат</b>	<code>snmp-server enable traps fip-snooping</code>
<b>Режим ввода команд</b>	Режим глобальной конфигурации

### *no snmp-server enable traps fip-snooping*

Выключить трапы отслеживания протокола FIP (FCoE Initialization Protocol) на всем коммутаторе.

<b>Значение по умолчанию</b>	Включено
<b>Формат</b>	<code>no snmp-server enable traps fip-snooping</code>
<b>Режим ввода команд</b>	Режим глобальной конфигурации

### *snmp-server port*

Настроить номер слушающего UDP-порта SNMP-сервера.

<b>Значение по умолчанию</b>	161
<b>Формат</b>	<code>snmp-server port 1025-65535</code>
<b>Режим ввода команд</b>	Привилегированный режим

### *no snmp-server port*

Сбросить настройки слушающего порта SNMP-сервера к значению по умолчанию.

<b>Формат</b>	<code>no snmp-server port</code>
<b>Режим ввода команд</b>	Привилегированный режим

### ***snmp trap link-status***

Включить трапы статуса соединения на интерфейсе или диапазоне интерфейсов.



**Команда доступна только при включенном флаге Link Up/Down Flag.**

**Формат** `snmp trap link-status`

**Режим ввода команд** Режим конфигурирования интерфейса

### ***no snmp trap link-status***

Выключить трапы статуса соединения, отправляемые интерфейсом.



**Команда доступна только при включенном флаге Link Up/Down Flag.**

**Формат** `no snmp trap link-status`

**Режим ввода команд** Режим конфигурирования интерфейса

### ***snmp trap link-status all***

Включить трапы статуса соединения для всех интерфейсов.



**Команда доступна только при включенном флаге Link Up/Down Flag.**

**Формат** `snmp trap link-status all`

**Режим ввода команд** Режим глобальной конфигурации

### ***no snmp trap link-status all***

Выключить трапы статуса соединения для всех интерфейсов.



**Команда доступна только при включенном флаге Link Up/Down Flag.**

**Формат** `no snmp trap link-status all`

**Режим ввода команд** Режим глобальной конфигурации

### *snmp-server enable traps linkmode*



Команда доступна только при включенном флаге Link Up/Down Flag.

Включить трапы с флагами Link Up/Down для всего коммутатора. Когда команда включена, трапы соединения отправляются только при установке флага Link Trap, связанного с портом.

<b>Значение по умолчанию</b>	Включено
<b>Формат</b>	snmp-server enable traps linkmode
<b>Режим ввода команд</b>	Режим глобальной конфигурации

### *no snmp-server enable traps linkmode*

Выключить трапы с флагами Link Up/Down для всего коммутатора.

<b>Формат</b>	no snmp-server enable traps linkmode
<b>Режим ввода команд</b>	Режим глобальной конфигурации

### *snmp-server enable traps multiusers*

Включить многопользовательские трапы (Multiple User Trap). Если опция включена, то многопользовательский трап отправляется, когда пользователь входит в систему терминального интерфейса (EIA 232 или Telnet) при уже открытой сессии терминального интерфейса.

<b>Значение по умолчанию</b>	Включено
<b>Формат</b>	snmp-server enable traps multiusers
<b>Режим ввода команд</b>	Режим глобальной конфигурации

### *no snmp-server enable traps multiusers*

Выключить многопользовательские трапы.

<b>Формат</b>	no snmp-server enable traps multiusers
<b>Режим ввода команд</b>	Режим глобальной конфигурации

### *snmp-server enable traps stpmode*

Включить отправку трапов об изучении новых путей (new root) и трапов уведомления об изменении топологии.

<b>Значение по умолчанию</b>	Включено
<b>Формат</b>	snmp-server enable traps stpmode
<b>Режим ввода команд</b>	Режим глобальной конфигурации



### *no snmp-server enable traps stpmode*

Выключить отправку трапов об изучении новых путей (new root) и трапов уведомления об изменении топологии.

**Формат** `no snmp-server enable traps stpmode`

**Режим ввода команд** Режим глобальной конфигурации

### *snmp-server engineID local*

Сконфигурировать engine ID протокола SNMP на локальном устройстве.

**Значение по умолчанию** engineID конфигурируется автоматически, основываясь на MAC-адресе устройства.

**Формат** `snmp-server engineID local {engineid-string|default}`

**Режим ввода команд** Режим глобальной конфигурации

<i>Параметр</i>	<i>Описание</i>
<b>engineid-string</b>	Шестнадцатеричная строка, идентифицирующая engine-id, используемая для локализации конфигурации. Длина engine-id должна составлять 6-32 шестнадцатеричных символов.
<b>Default</b>	Сбрасывает параметр engine-id к значению по умолчанию, получаемому на основе MAC-адреса устройства.



**Внимание! Изменение engine-id аннулирует всю конфигурацию SNMP.**

### *no snmp-server engineID local*

Удалить заданный engine ID.

**Значение по умолчанию** engineID конфигурируется автоматически, основываясь на MAC адресе устройства.

**Формат** `no snmp-server engineID local`

**Режим ввода команд** Режим глобальной конфигурации

### *snmp-server filter*

Создать фильтрующую запись для ограничения трапов, определенных OID-Tree, отправляемых на главный интерфейс.

**Значение по умолчанию** Нет фильтров по умолчанию.

**Формат** `snmp-server filter filtername oid-tree {included|excluded}`

**Режим ввода команд** Режим глобальной конфигурации

<i>Параметр</i>	<i>Описание</i>
<b>filtername</b>	Метка создаваемого фильтра. Диапазон: 1-30 символов

<b>oid-tree</b>	Поддерево OID для включения или исключения из фильтра. Поддеревья могут быть определены числительными (1.3.6.2.4) или ключевыми словами (system), также могут использоваться звездочки (символ *), чтобы определить семью поддерева (1.3. *.4).
<b>included</b>	Дерево добавлено в фильтр
<b>excluded</b>	Дерево исключено из фильтра

### *no snmp-server filter*

Удалить заданный фильтр.

<b>Значение по умолчанию</b>	Нет фильтров по умолчанию.
<b>Формат</b>	<code>snmp-server filter filtername [oid-tree]</code>
<b>Режим ввода команд</b>	Режим глобальной конфигурации

### *snmp-server group*

Создать группу доступа SNMP.

<b>Значение по умолчанию</b>	Универсальные группы создаются для всех версий и полномочий. Используется представление по умолчанию.
<b>Формат</b>	<code>snmp-server group group-name {v1   v2c   v3 {noauth   auth   priv}} [context context-name] [read read-view] [write write-view] [notify notify-view]</code>
<b>Режим ввода команд</b>	Режим глобальной конфигурации

<i>Параметр</i>	<i>Описание</i>
<b>group-name</b>	Название группы, которое будет использоваться при конфигурировании сообществ или пользователей. Диапазон: 1-30 символов.
<b>v1</b>	Доступ к группе возможен только через SNMPv1
<b>v2</b>	Доступ к группе возможен только через SNMPv2c
<b>v3</b>	Доступ к группе возможен только через SNMPv3.
<b>noauth</b>	К этой группе можно получить доступ только при выключенных опциях Аутентификации или Шифрования. Применимо, только если выбран SNMPv3 протокол
<b>auth</b>	К этой группе можно получить доступ, только если опция Аутентификации включена, а опция Шифрования – выключена. Применимо, только если выбран SNMPv3 протокол
<b>priv</b>	К этой группе можно получить доступ, только если одновременно включены опции Аутентификации и Шифрования. Применимо, только если выбран SNMPv3 протокол
<b>context-name</b>	Контекст SNMPv3, используемый во время доступа. Применимо, только если выбран SNMPv3 протокол
<b>read-view</b>	Представление группы при GET-запросах. Диапазон: 1-30 символов
<b>write-view</b>	Представление группы при SET-запросах. Диапазон: 1-30 символов
<b>notify-view</b>	Представление группы при отсылке трапов. Диапазон: 1-30 символов

## *no snmp-server group*

Удалить указанную группу.

**Формат** `no snmp-server group group-name {v1|v2c| 3 {noauth|auth|priv}} [context context-name]`

**Режим ввода команд** Режим глобальной конфигурации

## *snmp-server host*

Сконфигурировать запись узла для отправки трапов.

**Значение по умолчанию** Нет сконфигурированных по умолчанию узлов.

**Формат** `snmp-server host host-addr {informs [timeout seconds] [retries retries]}|traps version {1 | 2c }} community-string [udp-port port] [filter filter-name]`

**Режим ввода команд** Режим глобальной конфигурации

<i>Параметр</i>	<i>Описание</i>
<b>host-addr</b>	IPv4- или IPv6-адрес узла для отправки трапа или сообщения.
<b>traps</b>	Отправляет узлу SNMP-трапы. Опция выбрана по умолчанию.
<b>version 1</b>	Отправляет SNMPv1-трапы. Опция не доступна, если выбрана опция "informs".
<b>version 2</b>	Отправляет SNMPv2c-трапы. Опция не доступна, если выбрана опция "informs". Опция по умолчанию.
<b>informs</b>	Отправить узлу SNMPv2-inform.
<b>seconds</b>	Количество секунд ожидания перед повторной отправкой сообщения. Значение по умолчанию составляет 15 секунд. Диапазон: 1-300 секунд.
<b>retries</b>	Число повторных отправок сообщения. Значение по умолчанию: 3 попытки. Диапазон: 0-255 (попыток).
<b>community-string</b>	Строка сообщества отправлена как часть уведомления. Диапазон: 1-20 символов.
<b>port</b>	Порт получателя SNMP-трапа. Значение по умолчанию: порт 162.
<b>filter-name</b>	Имя фильтра для связи с узлом. Фильтры могут использоваться, чтобы определить, какие трапы отправлены на этот узел. Диапазон: 1-30 символов.

## *no snmp-server host*

Удалить запись указанного узла.

**Формат** `no snmp-server host host-addr [traps|informs]`

**Режим ввода команд** Режим глобальной конфигурации

## *snmp-server user*

Создать SNMPv3-пользователя для доступа к системе.

**Значение по умолчанию** Нет пользователей по умолчанию.

**Формат** `snmp-server user username groupname [remote engineid-string] [ {auth-md5 password | auth-sha password | auth-md5-key md5-key | auth-sha-key sha-key} [priv-des password | priv-des-key des-key]`

**Режим ввода команд** Режим глобальной конфигурации

Параметр	Описание
<b>username</b>	Имя SNMPv3-пользователя для соединения с коммутатором. Диапазон: 1-30 символов
<b>group-name</b>	Имя группы, к которой принадлежит пользователь. Диапазон: 1-30 символов
<b>engineid-string</b>	Идентификатор удаленной станции управления, с которой пользователь производит запрос. Диапазон: 5-32 символа
<b>password</b>	Пароль, который пользователь будет использовать для шифрования или аутентификации. Диапазон: 1-32 символа
<b>md5-key</b>	Предварительно сгенерированный ключ аутентификации MD5. Длина – 32 символа
<b>sha-key</b>	Предварительно сгенерированный ключ аутентификации SHA. Длина – 48 символов
<b>des-key</b>	Предварительно сгенерированный ключ шифрования DES. Длина – 32 символа, если выбран MD5, и 48 символов, если выбран SHA

#### *no snmp-server user*

Удалить указанного SNMPv3-пользователя.

**Формат** `no snmp-server user username`

**Режим ввода команд** Режим глобальной конфигурации

#### *snmp-server view*

Создать или изменить запись представления, которая используется группами для определения, к каким объектам может получить доступ сообщество или пользователь.

**Значение по умолчанию** Представление создается по умолчанию для обеспечения доступа к группам по умолчанию.

**Формат** `snmp-server viewname oid-tree {included|excluded}`

**Режим ввода команд** Режим глобальной конфигурации

Параметр	Описание
<b>viewname</b>	Метка для создаваемого представления. Диапазон: 1-30 символов
<b>oid-tree</b>	Поддерево OID для включения или исключения из просмотра. Поддеревья могут быть определены числительными (1.3.6.2.4) или ключевыми словами (system), также могут использоваться звездочки (символ *), чтобы определить семейство поддерева (1.3.*.4).
<b>included</b>	Дерево добавлено в режим просмотра
<b>excluded</b>	Дерево исключено из режима просмотра

## no snmp-server view

Удалить заданное представление.

**Формат** no snmp-server view *viewname* [*oid-tree*]

**Режим ввода команд** Режим глобальной конфигурации

## snmp-server v3-host

Сконфигурировать запись узла для отправки трапов.

**Значение по умолчанию** Нет узлов по умолчанию.

**Формат** snmp-server v3-host *host-addr* *username* [traps | informs [timeout *seconds*] [retries *retries*]] [auth | noauth | priv] [udpport *port*] [filter *filtername*]

**Режим ввода команд** Режим глобальной конфигурации

Параметр	Описание
host-addr	IPv4- или IPv6-адрес узла назначения отправления трапа или сообщения
user-name	Пользователь, ранее отправлявший трап или сообщение. Этот пользователь должен принадлежать к группе, которая поддерживает версию и метод доступа. Диапазон: 1-30 символов
traps	SNMP-трапы, отправленные на узел. Опция по умолчанию.
informs	SNMP-сообщения, отправленные на узел.
seconds	Число секунд ожидания подтверждения перед повторной отправкой сообщения. По умолчанию – 15 секунд. Диапазон составляет 1-300 секунд
retries	Число попыток повторной отправки сообщения. По умолчанию: 3 попытки. Диапазон: 0-255 (повторов).
auth	Включает аутентификацию, но не шифрование.
noauth	Без аутентификации и шифрования. Значение по умолчанию.
priv	Включает аутентификацию и шифрование.
port	Порт получателя SNMP-трапа. Значение по умолчанию: порт 162.
filter-name	Имя фильтра, чтобы связаться с этим узлом. Фильтры могут использоваться, чтобы определить, какие трапы отправлены на этот узел. Диапазон: 1-30 символов.

## snmptrap source-interface

Используйте эту команду в режиме глобальной конфигурации, чтобы сконфигурировать глобальный исходящий интерфейс (IP-адрес источника) для SNMP-соединений между клиентом SNMP и сервером.

**Формат** snmptrap source-interface {*unit/slot/port* | loopback *loopback-id* | tunnel *tunnel-id*|vlan *vlan-id* | serviceport | network}

**Режим ввода команд** Режим глобальной конфигурации

Параметр	Описание
unit/slot/port	Использовать IP-адрес физического интерфейса в качестве IP-адреса источника SNMP-

	сообщений.
<b>loopback-id</b>	Использовать IP-адрес loopback-интерфейса в качестве IP-адреса источника SNMP-сообщений. Диапазон идентификатора loopback от 0 до 7
<b>tunnel-id</b>	Использовать IP-адрес физического интерфейса в качестве IP-адреса источника SNMP-сообщений. Диапазон туннельного ID от 0 до 7
<b>vlan-id</b>	Использовать IP-адрес VLAN-интерфейса в качестве IP-адреса источника SNMP-сообщений. Диапазон ID VLAN: 1-4093
<b>serviceport</b>	Использовать IP-адрес OOB-интерфейса в качестве IP-адреса источника SNMP-сообщений.
<b>network</b>	Использовать IP-адрес интерфейса управления в качестве IP-адреса источника SNMP-сообщений.

### *no snmptrap source-interface*

Используйте эту команду в режиме глобальной конфигурации, чтобы удалить глобальный исходный интерфейс (IP источника) для всех SNMP-соединений между SNMP-клиентом и сервером.

**Формат** `no snmptrap source-interface`

**Режим ввода команд** Режим глобальной конфигурации

### *snmptrap ipaddr snmpversion<sup>1</sup>*

Изменить SNMP-версию трапа. Максимальная длина имени – 16 чувствительных к регистру алфавитно-цифровых символов. Возможные значения параметра *snmpversion*: *snmpv1* или *snmpv2*.



**У данной команды нет отрицательной формы.**

**Формат** `snmptrap ipaddr snmpversion name snmpversion`

**Режим ввода команд** Режим глобальной конфигурации

### *snmptrap ipbaddr snmpversion<sup>1</sup>*

Изменить SNMP-версию трапа. Максимальная длина параметра *name* – 16 чувствительных к регистру алфавитно-цифровых символов. Допустимые значения параметра *snmpversion*: *snmpv1* или *snmpv2*.



**У данной команды нет отрицательной формы.**

**Формат** `snmptrap ipbaddr snmpversion name snmpversion`

**Режим ввода команд** Режим глобальной конфигурации

### *show snmp*

Вывести на экран текущую конфигурацию SNMP.

<sup>1</sup> Не поддерживается в текущей версии ПО 8.4.0.3

**Формат** show snmp  
**Режим ввода команд** Привилегированный режим

<i>Параметр</i>		<i>Определение</i>
<b>Community Table:</b>	<b>Community- String</b>	Название сообщества для записи. Используется протоколами SNMPv1 и SNMPv2 для получения доступа к коммутатору
	<b>Community- Access</b>	Типы доступа: <ul style="list-style-type: none"> <li>• Только для чтения (ro/Read only)</li> <li>• Чтение и запись (rw/Read write)</li> <li>• Супер пользователь (su/Super User)</li> </ul>
	<b>View Name</b>	Представление, к которому имеет доступ сообщество
	<b>IP Address</b>	Доступ к сообществу ограничен этим IP-адресом
<b>Community Group Table:</b>	<b>Community-String</b>	Сообщество, конфигурируемое маппингом
	<b>Group Name</b>	Группа, к которой относится сообщество
	<b>IP Address</b>	IP-адрес, которым ограничено сообществом
<b>Host Table:</b>	<b>Target Address</b>	Адрес узла, куда должны быть отправлены трапы
	<b>Type</b>	Тип сообщения для отправки (трапы или информация)
	<b>Community</b>	Сообщество, которому будут отправлены трапы
	<b>Version</b>	SNMP-версия трапа
	<b>UDP Port</b>	UDP-порт, которому будет отправлен трап или информация
	<b>Filter name</b>	Фильтр, ограничивающий трапы для этого узла
	<b>TO Sec</b>	Количество секунд до истечения времени жизни информационного сообщения, отправленного на этот узел
	<b>Retries</b>	Количество отправок информационных сообщений после истечения времени жизни

### **show snmp engineID**

Отобразить текущую конфигурацию engineID протокола SNMP.

**Формат** show snmp engineID  
**Режим ввода команд** Привилегированный режим

<i>Параметр</i>	<i>Описание</i>
Local SNMP EngineID	Текущая конфигурация отображенного SNMP engineID

### **show snmp filters**

Отобразить сконфигурированные фильтры, используемые при отправке трапов.

**Формат** show snmp filters [*filtername*]  
**Режим ввода команд** Привилегированный режим

<i>Параметр</i>	<i>Описание</i>
<b>Name</b>	Имя фильтра для данной записи
<b>OID Tree</b>	OID –дерево будет включено или исключено для данной точки входа
<b>Type</b>	Определяет, включает ли эта запись OID- дерево

### ***show snmp group***

Отобразить сконфигурированные группы.

**Формат** `show snmp group [groupname]`

**Режим ввода команд** Привилегированный режим

<i>Параметр</i>	<i>Определение</i>
<b>Name</b>	Имя группы
<b>Security Model</b>	Указывает, какой протокол может получить доступ к системе через эту группу
<b>Security Level</b>	Указывает степень защиты, допустимой для этой группы
<b>Read View</b>	Представление, обладающее правом чтения
<b>Write View</b>	Представление, обладающее правом записи
<b>Notify View</b>	Представление, обладающее правом доступа к трапам

### ***show snmp-server***

Отобразить текущую пользовательскую конфигурацию SNMP-сервера.

**Формат** `show snmp-server`

**Режим ввода команд** Привилегированный режим

### ***show snmp source-interface***

Используйте данную команду в привилегированном режиме для отображения деталей глобального исходящего интерфейса (IP-адрес источника), сконфигурированного для SNMP-клиента.

**Формат** `show snmp source-interface`

**Режим ввода команд** Привилегированный режим

### ***show snmp user***

Отобразить SNMPv3-пользователей, сконфигурированных в текущий момент

**Формат** `show snmp user [username]`

**Режим ввода команд** Привилегированный режим

<i>Параметр</i>	<i>Определение</i>
<b>Name</b>	Имя пользователя
<b>Group Name</b>	Имя группы, определяющей параметры SNMPv3-доступа



<b>Auth Method</b>	Аутентификационный алгоритм, сконфигурированный для этого пользователя
<b>Privilege Method</b>	Алгоритм шифрования, сконфигурированный для этого пользователя
<b>Remote Engine ID</b>	engineID для пользователя, определяемого на машине клиента

### **show snmp views**

Вывести на экран сконфигурированные в текущий момент представления.

**Формат** `show snmp views [viewname]`

**Режим ввода команд** Привилегированный режим

<i>Параметр</i>	<i>Описание</i>
<b>Name</b>	Имя представления для данной записи
<b>OID Tree</b>	Дерево OID, которое эта запись будет включать или исключать
<b>Type</b>	Указывает, включает или исключает эта запись дерево OID

### **show trapflags**

Команда выводит на экран условия генерации трапов. Показывает все включенные флаги OSPFv2 и OSPFv3. Генерация трапов настраивается с помощью включения/отключения тех или иных условий. Если включено условие отправки трапа и обнаружено соответствие этому условию, SNMP-агент на коммутаторе отправляет трап на все разрешенные серверы. Для активации изменений рестарт коммутатора не требуется. Трапы "холодного" и "теплого" запуска всегда генерируются и не могут быть отключены.

**Формат** `show trapflags`

**Режим ввода команд** Привилегированный режим

<i>Параметр</i>	<i>Определение</i>
<b>Authentication Flag</b>	Может быть enabled (включено) или disabled (отключено). По умолчанию: enabled (включено). Определяет, отправляются ли трапы ошибки аутентификации
<b>Link Up/Down Flag</b>	Может быть включено/отключено. По умолчанию: enabled (включено). Определяет, отправляются ли трапы состояния соединения
<b>Multiple Users Flag</b>	Может быть включено/отключено. По умолчанию: enabled (включено). Определяет, отправляются ли трапы, когда тот же ID пользователя регистрируется на коммутаторе несколько раз одновременно (через Telnet или последовательный порт)
<b>Spanning Tree Flag</b>	Может быть включено/отключено. По умолчанию: enabled (включено). Определяет, отправляются ли STP-трапы
<b>ACL Traps</b>	Может быть включено/отключено. По умолчанию: disabled (отключено). Определяет, отправляются ли ACL-трапы
<b>BGP4 Traps</b>	Может быть включено/отключено. По умолчанию: disabled (отключено). Определяет, отправляются ли BGP4-трапы. (Это поле появляется только на системах с установленным BGPv4-пакетом ПО.)
<b>DVMRP Traps</b>	Может быть включено/отключено. По умолчанию: disabled (отключено). Определяет, отправляются ли DVMRP-трапы
<b>OSPFv2 Traps</b>	Может быть включено/отключено. По умолчанию: disabled (отключено). Определяет, отправляются ли OSPF-трапы. Если какой-либо из флагов OSPF-трапов не включен, ко-

	манда отображает disabled. В ином случае, команда показывает всю разрешенную информацию о OSPF-трапах
<b>OSPFv3 Traps</b>	Может быть включено/отключено. По умолчанию: disabled (отключено). Определяет, отправляются ли OSPF-трапы. Если какой-либо из флагов OSPFv3-трапов не включен, команда отображает disabled. В ином случае, команда показывает всю разрешенную информацию о OSPFv3-трапах
<b>PIM Traps<sup>1</sup></b>	Может быть включено/отключено. По умолчанию: disabled (отключено). Определяет, отправляются ли PIM-трапы

## 7.10 Команды настройки протокола RADIUS

В данном подразделе описываются команды конфигурации коммутатора для использования RADIUS-сервера для процедур аутентификации и учёта в Вашей сети.

### ***aaa server radius dynamic-author***

Данная команда включает CoA и запускает режим конфигурирования локального сервера динамической авторизации.

<b>Значение по умолчанию</b>	Нет
<b>Формат</b>	aaa server radius dynamic-author
<b>Режим ввода команд</b>	Режим глобальной конфигурации

### ***no aaa server radius dynamic-author***

Выключить CoA.

<b>Значение по умолчанию</b>	Нет
<b>Формат</b>	no aaa server radius dynamic-author
<b>Режим ввода команд</b>	Режим глобальной конфигурации

### ***authentication command bounce-port ignore***

Данная команда запрещает обработку системой команд bounce-host-port от RADIUS-сервера. Команда bounce-host-port заставляет устройство сбрасывать соединение на аутентифицированном порте.

<b>Значение по умолчанию</b>	Выключен
<b>Формат</b>	authentication command bounce-port ignore
<b>Режим ввода команд</b>	Режим глобальной конфигурации

### ***no authentication command bounce-port ignore***

Данная команда отменяет запрет на обработку системой команд bounce-host-port от RADIUS-сервера.

<b>Формат</b>	no authentication command bounce-port ignore
---------------	--

<sup>1</sup> Не поддерживается в текущей версии ПО 8.4.0.3

**Режим ввода команд**            Режим глобальной конфигурации

### ***auth-type***

Задать тип авторизации, используемый устройством для RADIUS-клиентов. Для успешной авторизации клиент должен соответствовать сконфигурированным атрибутам.

**Значение по умолчанию**    All

**Формат**                        auth-type { any | all | session-key }

**Режим ввода команд**        Режим динамической авторизации

### ***no auth-type***

Сбросить тип авторизации, используемый устройством для RADIUS-клиентов.

**Значение по умолчанию**    Нет

**Формат**                        no auth-type

**Режим ввода команд**        Режим динамической авторизации

### ***authorization network radius***

Разрешить коммутатору принимать назначение VLAN от RADIUS-сервера.

**Значение по умолчанию**    Выключено

**Формат**                        authorization network radius

**Режим ввода команд**        Режим глобальной конфигурации

### ***no authorization network radius***

Запретить коммутатору принимать назначение VLAN от RADIUS-сервера.

**Формат**                        no authorization network radius

**Режим ввода команд**        Режим глобальной конфигурации

### ***clear radius dynamic-author statistics***

Очистить статистику счетчиков динамической авторизации RADIUS.

**Значение по умолчанию**    none

**Формат**                        clear radius dynamic-author statistics

**Режим ввода команд**        Привилегированный режим

### ***client***

Сконфигурировать IP-адрес или имя узла клиента сервера AAA. Используйте опциональное ключевое слово server-key и параметр key-string, чтобы сконфигурировать ключ сервера на уровне клиента.

**Значение по умолчанию**    Нет

**Формат**                        client { ip-address | hostname } [server-key [0|7] key-string]

---

Режим ввода команд                      Режим динамической авторизации

*no client*

Удалить сконфигурированный клиент динамической авторизации и ключ, связанный с этим клиентом на данном устройстве.

**Значение по умолчанию**            Нет  
**Формат**                                    `no client { ip-address | hostname }`  
**Режим ввода команд**                    Режим динамической авторизации

***debug aaa coa***

Отобразить информацию по отладке работы сервера динамической авторизации.

**Значение по умолчанию**            Нет  
**Формат**                                    `debug aaa coa`  
**Режим ввода команд**                    Режим динамической авторизации

***debug aaa pod***

Просмотреть пакеты сообщений о разъединении (Disconnect Message).

**Значение по умолчанию**            Нет  
**Формат**                                    `debug aaa pod`  
**Режим ввода команд**                    Режим динамической авторизации

***ignore server-key***

Опциональная команда, задающая игнорирование ключа сервера устройством.

**Значение по умолчанию**            Выключено  
**Формат**                                    `ignore server-key`  
**Режим ввода команды**                Режим динамической авторизации

*no ignore server-key*

Прекратить игнорирование ключа сервера на данном устройстве. Опциональная команда.

**Значение по умолчанию**            Выключено  
**Формат**                                    `no ignore server-key`  
**Режим ввода команды**                Режим динамической авторизации

***ignore session-key***

Игнорировать ключ сессии. Опциональная команда.

**Значение по умолчанию**            Выключено  
**Формат**                                    `ignore session-key`  
**Режим ввода команды**                Режим динамической авторизации

### *no ignore session-key*

Прекратить игнорирование ключа сессии на данном устройстве. Опциональная команда.

<b>Значение по умолчанию</b>	Включено
<b>Формат</b>	<code>no ignore session-key</code>
<b>Режим ввода команды</b>	Режим динамической авторизации

### *port*

Задать UDP-порт, через который устройство получает RADIUS-запросы от сконфигурированных клиентов динамической авторизации. Диапазон номера порта: 1025-65535.

<b>Значение по умолчанию</b>	3799
<b>Формат</b>	<code>port port-number</code>
<b>Режим ввода команды</b>	Режим динамической авторизации

### *no port*

Сбросить настройки UDP-порта, через который устройство получает RADIUS-запросы от сконфигурированных клиентов динамической авторизации, к значению по умолчанию.

<b>Значение по умолчанию</b>	3799
<b>Формат</b>	<code>no port</code>
<b>Режим ввода команды</b>	Режим динамической авторизации

### *radius accounting mode*

Активировать функцию учёта RADIUS.

<b>Значение по умолчанию</b>	Выключено
<b>Формат</b>	<code>radius accounting mode</code>
<b>Режим ввода команды</b>	Режим глобальной конфигурации

### *no radius accounting mode*

Сбросить настройки учётной функции RADIUS к значению по умолчанию (отключить функцию учёта RADIUS).

<b>Формат</b>	<code>no radius accounting mode</code>
<b>Режим ввода команды</b>	Режим глобальной конфигурации

### *radius server attribute 4*

Задать использование IP-адреса в атрибуте IP-адреса NAS клиентом RADIUS в RADIUS-запросах. Если определённый IP-адрес сконфигурирован при разрешенном атрибуте, то RADIUS-клиент использует этот IP-адрес при отправке атрибута IP-адреса NAS на RADIUS-сервер.

<b>Формат</b>	<code>radius server attribute 4 [ipaddr]</code>
<b>Режим ввода команды</b>	Режим глобальной конфигурации

Параметр	Описание
4	Атрибут IP-адреса NAS, используемый для RADIUS-запросов
ipaddr	IP-адрес сервера

#### *no radius server attribute 4*

Отрицательная форма команды выключает глобальный параметр атрибута IP-адреса NAS для RADIUS-клиента. Если параметр выключен, RADIUS-клиент не отправляет атрибут IP-адреса NAS в RADIUS-запросах.

**Формат** `no radius server attribute 4 [ipaddr]`

**Режим ввода команды** Режим глобальной конфигурации

#### *radius server attribute 95*

Задать использование IPv6-адреса в атрибуте IPv6-адреса NAS клиентом RADIUS в RADIUS-запросах. Если определённый IPv6-адрес сконфигурирован при разрешенном атрибуте, то RADIUS-клиент использует этот IP-адрес при отправке атрибута IP-адреса NAS на RADIUS-сервер.

**Формат** `radius server attribute 95 [ipv6addr]`

**Режим ввода команды** Режим глобальной конфигурации

Параметр	Описание
95	Атрибут IPv6-адреса NAS, используемый для RADIUS-запросов
ipv6addr	IPv6-адрес сервера

#### *no radius server attribute 95*

Отрицательная форма команды выключает глобальный параметр атрибута IPv6-адреса NAS для RADIUS-клиента. Если параметр выключен, RADIUS-клиент не отправляет атрибут IPv6-адреса NAS в RADIUS-запросах.

**Формат** `no radius server attribute 95 [ipv6addr]`

**Режим ввода команды** Режим глобальной конфигурации

#### *radius server attribute 31*

Задать использование calling station id станции NAS в заданном MAC-формате в RADIUS-запросах.

**Формат** `radius server attribute 31 mac-format [ietf | legacy | unformatted] [lower-case | upper-case]`

**Режим ввода команды** Режим глобальной конфигурации

Формат calling station id	Описание
ietf	aa-bb-cc-dd-ee-ff

<b>legacy</b>	aa:bb:cc:dd:ee:ff
<b>unformatted</b>	aaaabbbbcccc

### *no radius server attribute 31 mac-format*

Отрицательная форма команды выключает глобальный параметр атрибута 31 NAS для RADIUS-клиента. Если параметр выключен, RADIUS-клиент не отправляет атрибут calling station id NAS в RADIUS-запросах.

**Формат** `radius server attribute 31 mac-format`

**Режим ввода команды** Режим глобальной конфигурации

### *radius server host*

Команда конфигурирует IP-адрес или DNS-имя для связи с выбранным типом RADIUS-сервера. Вы можете настроить IP-адрес или DNS-имя для серверов аутентификации или учёта, а также номер порта и имя сервера. Если аутентификационные или учётные сервера сконфигурированы без имени, команда использует Default\_RADIUS\_Auth\_Server и Default\_RADIUS\_Acct\_Server в качестве имени по умолчанию. Одно и то же имя может быть задано для нескольких аутентификационных серверов, но имя каждого учетного сервера должно быть уникальным. RADIUS-клиент позволяет сконфигурировать до 32 аутентификационных и учётных серверов (включительно).

При использовании параметра auth команда конфигурирует IP-адрес или имя устройства, чтобы подключиться к аутентификационному RADIUS-серверу. Можно сконфигурировать не более 3 серверов для одного RADIUS-клиента. Если достигнуто максимальное количество сконфигурированных серверов, то возможны сбои команды, пока один из серверов не будет удален с помощью отрицательной формы данной команды. При использовании опционального параметра port команда конфигурирует номер UDP-порта для соединения со сконфигурированным RADIUS-сервером. Диапазон номеров порта: 1-65535, значение по умолчанию: 1812.



**Чтобы переконфигурировать сервер аутентификации RADIUS на использование порта UDP по умолчанию, установите параметр порта на 1812.**

Если Вы используете параметр acct, команда конфигурирует IP-адрес или имя узла, чтобы использовать его для учётного RADIUS-сервера. Можно сконфигурировать только один учётный сервер. Если сервер находится в процессе конфигурирования, отрицательная форма данной команды удаляет его из конфигурации. Заданные IP-адрес или имя устройства должны соответствовать IP-адресу сконфигурированного ранее сервера учёта. При использовании опционального параметра port команда конфигурирует UDP-порт для соединения с учётным сервером RADIUS. Если порт для учётного сервера уже сконфигурирован, новый порт заменяет его. Значение параметра port должно быть в пределах 0-65535, значение по умолчанию: 1813.



**Для перенастройки учётного RADIUS-сервера и возвращения к использованию UDP-порта по умолчанию, установите значение параметра port на 1813**

**Формат** `radius server host {auth | acct} {ipaddr/dnsname} [name servername]  
[port 0-65535]`

**Режим ввода команды** Режим глобальной конфигурации

Поле	Описание
<b>ipaddr</b>	IP-адрес сервера
<b>dnsname</b>	DNS-имя сервера.
<b>0-65535</b>	Номер порта, используемого для соединения с указанным сервером RADIUS
<b>servername</b>	Альтернативное имя для идентификации сервера

### *no radius server host*

Отрицательная форма команды удаляет сконфигурированную запись сервера из списка сконфигурированных RADIUS-серверов. Если удаляемый аутентификационный RADIUS-сервер активен, и есть другие серверы с тем же именем, то RADIUS-клиент выбирает другой сервер для операций RADIUS. Если используется параметр "auth", ранее сконфигурированный сервер аутентификации RADIUS удаляется из конфигурации.

То же самое производится в случае, если используется параметр "acct". Параметр ipaddr|dnsname должен соответствовать IP-адресу или DNS-имени ранее сконфигурированного аутентификационного/учетного RADIUS-сервера.

**Формат** `no radius server host {auth | acct} {ipaddr|dnsname}`

**Режим ввода команды** Режим глобальной конфигурации

### *radius server key*

Данная команда конфигурирует ключ, используемый при соединении RADIUS-клиента с выбранным сервером. При выставленном параметре 'auth' общий ключ конфигурируется для соединения с сервером аутентификации RADIUS, при параметре 'acct' ключ конфигурируется для соединения с сервером учета RADIUS. IP-адрес или имя устройства должны соответствовать ранее сконфигурированному серверу. При выполнении данной команды ключ вводится пользователем.

Конфигурации с текстовым интерфейсом поддерживают ключи Radius-сервера в зашифрованном и незашифрованном виде. При сохранении конфигурации ключи хранятся только в зашифрованном виде. Для того чтобы ввести ключ в зашифрованном виде, следует вводить ключ вместе с параметром encrypted. При выполнении команды show running-config секретные ключи отображаются в зашифрованном виде. В виде открытой информации секретные ключи не отображаются.



**Ключ вводится в алфавитно-цифровом формате и должен содержать не более 16 символов.**

**Формат** `radius server key {auth | acct} {ipaddr|dnsname} encrypted password`

**Режим ввода команды** Режим глобальной конфигурации

Поле	Описание
<b>ipaddr</b>	IP-адрес сервера
<b>dnsname</b>	DNS-имя сервера.



<b>password</b>	Пароль в зашифрованном виде.
-----------------	------------------------------

### ***radius server msgauth***

Включить использование проверки подлинности сообщений при соединении с выбранным RADIUS-сервером аутентификации.

**Формат** `radius server msgauth ipaddr/dnsname`

**Режим ввода команды** Режим глобальной конфигурации

<i>Поле</i>	<i>Описание</i>
<b>ipaddr</b>	IP-адрес сервера
<b>dnsname</b>	DNS-имя сервера.

### ***no radius server msgauth***

Отключить использование проверки подлинности сообщений при соединении с выбранным сервером аутентификации RADIUS.

**Формат** `no radius server msgauth ipaddr/dnsname`

**Режим** Режим глобальной конфигурации

### ***radius server primary***

Задать сконфигурированный сервер в качестве сервера-источника для группы серверов с единым именем сервера. Для каждой группы серверов с единым именем сервера может быть сконфигурировано несколько серверов-источников. При обмене данными с сервером аутентификации RADIUS клиент по умолчанию подключается к серверу-источнику с заданным именем. При невозможности соединения с сервером-источником происходит попытка соединения с резервными серверами, сконфигурированными с тем же именем сервера. Резервные серверы расцениваются как дополнительные.

**Формат** `radius server primary {ipaddr/dnsname}`

**Режим ввода команды** Режим глобальной конфигурации

<i>Поле</i>	<i>Описание</i>
<b>ipaddr</b>	IP-адрес сервера
<b>dnsname</b>	DNS-имя сервера.

### ***radius server retransmit***

Сконфигурировать глобальный параметр RADIUS-клиента, задающий количество попыток передачи сообщения до установления невозможности соединения с заданным аутентификационным RADIUS-сервером и перехода на соединение с сервером с меньшей скоростью передачи данных. При превышении лимита безответных попыток соединения с сервером учета RADIUS клиент не подключается к другим серверам.

**Значение по умолчанию** 4

**Формат** `radius server retransmit retries`

**Режим ввода команды** Режим глобальной конфигурации

<i>Поле</i>	<i>Описание</i>
<b>retries</b>	Максимальное количество попыток передачи. Диапазон значений: 1-15.

### *no radius server retransmit*

Отрицательная форма команды сбрасывает данный параметр к значению по умолчанию.

**Формат** no radius server retransmit  
**Режим ввода команды** Режим глобальной конфигурации

### *radius source-interface*

Задать физический или логический интерфейс в качестве исходного интерфейса RADIUS-клиента (исходный IP-адрес). Сконфигурированный адрес исходного интерфейса используется для всех соединений между RADIUS-сервером и RADIUS-клиентом. IP-адрес выбранного исходного интерфейса используется в IP-заголовках пакетов протокола системы управления RADIUS. Это позволяет средствам межсетевой защиты (брандмауэр) опознавать исходные пакеты, получаемые от того или иного коммутатора.

Если исходный интерфейс не задан, в качестве исходного IP-адреса используется главный адрес интерфейса иницирующего соединения удаленного устройства. При сбое сконфигурированного интерфейса RADIUS-клиент возвращается к алгоритму действий по умолчанию.

**Формат** radius source-interface {unit/slot/port | loopback Loopback-id | vlan vlan-id | serviseport | network}  
**Режим ввода команды** Режим глобальной конфигурации

<i>Поле</i>	<i>Описание</i>
<b>unit/slot/port</b>	Идентификатор устройства, присвоенный коммутатору.
<b>loopback-id</b>	Конфигурирует loopback-интерфейс. Диапазон значений идентификатора: 0-63.
<b>vlan-id</b>	Конфигурирует интерфейс VLAN, используемый в качестве исходного IP-адреса. Диапазон идентификаторов VLAN: 1-4094.

### *no radius source-interface*

Сбросить исходный интерфейс RADIUS к настройкам по умолчанию.

**Формат** no radius source-interface  
**Режим ввода команды** Режим глобальной конфигурации

### *radius server timeout*

Сконфигурировать глобальный параметр RADIUS-клиента, задающий интервал времени (в секундах) на получение ответа от RADIUS-сервера, по истечении которого происходит повторная передача запроса. Диапазон значений: целое число от 1 до 30.

**Значение по умолчанию** 5

**Формат** radius server timeout seconds

**Режим ввода команды** Режим глобальной конфигурации

Поле	Описание
retries	Максимальное число попыток передачи, диапазон значений 1-30.

### *no radius server timeout*

Установить глобальный параметр интервала времени на значение по умолчанию.

**Формат** no radius server timeout

**Режим ввода команды** Режим глобальной конфигурации

### *server-key*

Сконфигурировать глобальный общий секретный ключ, используемый для динамической авторизации всеми клиентами без сконфигурированного индивидуального общего секретного ключа.

**Значение по умолчанию** Нет

**Формат** server-key [7] key-string

**Режим ввода команд** Режим динамической авторизации

Поле	Описание
0	Требуется ввести незашифрованный ключ
7	Требуется ввести зашифрованный ключ
string	Общая секретная строка. Количество символов не должно превышать 128 для незашифрованного ключа и 256 для зашифрованного ключа. Превалирует над глобальными настройками только для данного клиента. Специальные символы или внутренние пробелы вводятся в кавычках.

### *no server-key*

Удалить настройку глобального общего секретного ключа.

**Значение по умолчанию** Нет

**Формат** no server-key

**Режим** Режим динамической авторизации

### *show radius servers*

Показать параметры аутентификации.

**Формат** show radius servers { serverIP | name serverName }

**Режим ввода команд** Пользовательский режим

### *show radius*

Показать сконфигурированные значения глобальных параметров RADIUS-клиента.

**Формат** show radius

<i>Параметр</i>	<i>Определение</i>
<b>Number of Configured Authentication Servers</b>	Количество сконфигурированных серверов аутентификации RADIUS.
<b>Number of Configured Accounting Servers</b>	Количество сконфигурированных серверов учета RADIUS.
<b>Number of Named Authentication Server Groups</b>	Количество сконфигурированных групп серверов аутентификации RADIUS с общим именем.
<b>Number of Named Accounting Server Groups</b>	Количество сконфигурированных групп серверов учета RADIUS с общим именем.
<b>Number of Retransmits</b>	Сконфигурированное значение максимального количества повторных передач пакета запроса.
<b>Time Duration</b>	Интервал времени (в секундах) между повторными передачами запросов.
<b>RADIUS Accounting Mode</b>	Глобальный параметр. Включен или выключен режим учета для всех серверов.
<b>RADIUS Attribute 4 Mode</b>	Глобальный параметр. Разрешено ли использование атрибута NAS-IP-адреса (IP-адрес системы сетевого администрирования) при RADIUS запросах.
<b>RADIUS Attribute 4 Value</b>	Глобальный параметр. IP-адрес, используемый в атрибуте NAS-IP-адреса в RADIUS-запросах.

### *show radius servers*

Показать информацию по серверам аутентификации RADIUS, сконфигурированным для RADIUS-клиента.

**Формат** `show radius servers [{ipaddr/dnsname | name [servername]}]`

**Режим ввода команд**

Привилегированный режим

<i>Поле</i>	<i>Описание</i>
<b>ipaddr</b>	IP-адрес сервера аутентификации.
<b>dnsname</b>	DNS-имя сервера аутентификации.
<b>servername</b>	Дополнительное имя для идентификации сервера.
<b>Current</b>	Символ * перед адресом хоста сервера обозначает, что сервер активен в текущий момент.
<b>Host Address</b>	IP-адрес хоста.
<b>Server Name</b>	Имя сервера аутентификации.
<b>Port</b>	Порт, используемый для соединения с сервером аутентификации.
<b>Type</b>	Относится сервер к первичному (источник) или вторичному (дополнительный) типу.
<b>Current Host</b>	IP-адрес сервера аутентификации, активного в текущий момент.

<b>Address</b>	
<b>Secret Configured</b>	Сконфигурирована ли защита от несанкционированного доступа к серверу. Булево значение: Yes (Да) или No (Нет).
<b>Number of Retransmits</b>	Заданное максимальное количество попыток повторной передачи пакета запроса.
<b>Message Authenticator</b>	Глобальный параметр. Разрешен или запрещен атрибут удостоверения сообщения.
<b>Time Duration</b>	Интервал времени (в секундах) между повторными передачами запроса
<b>RADIUS Accounting Mode</b>	Глобальный параметр. Включен ли режим учета для всех серверов или нет
<b>RADIUS Attribute 4 Mode</b>	Глобальный параметр. Разрешено ли использование атрибута IP-адреса NAS при RADIUS запросах
<b>RADIUS Attribute 4 Value</b>	Глобальный параметр. IP-адрес, используемый в атрибуте IP-адреса NAS в RADIUS-запросах

### ***show radius accounting***

Показать общую информацию по сконфигурированным RADIUS-серверам учета.

**Формат** `show radius accounting name [servername]`

**Режим ввода команд** Привилегированный режим

<i>Поле</i>	<i>Описание</i>
<b>servername</b>	Дополнительное имя для идентификации сервера.
<b>RADIUS Accounting Mode</b>	Глобальный параметр. Включен ли режим учета для всех серверов или нет.

Если параметры не заданы администратором, то отображаются только характеристики режима учета и сервера учета RADIUS.

<i>Поле</i>	<i>Описание</i>
<b>Host Address</b>	IP-адрес хоста.
<b>Server Name</b>	Имя сервера учета.
<b>Port</b>	Порт, используемый для соединения с сервером учета.
<b>Secret Configured</b>	Сконфигурирована ли защита от несанкционированного доступа к серверу. Булево значение: Yes (Да) или No (Нет).

### ***show radius accounting statistics***

Показать общую статистическую информацию по сконфигурированным серверам учета RADIUS.

**Формат** `show radius accounting statistics {ipaddr/dnsname | name servername}`

**Режим ввода команд** Привилегированный режим

<i>Параметр</i>	<i>Описание</i>
<b>ipaddr.</b>	IP-адрес сервера.
<b>dnsname</b>	DNS-имя сервера.
<b>servername</b>	Дополнительное имя для идентификации сервера.
<b>RADIUS Accounting Server Name</b>	Имя сервера учета.
<b>Server Host Address</b>	IP-адрес хоста.
<b>Round Trip Time</b>	Временной интервал (в сотых долях секунды) между последним ответом на соответствующий учетный запрос, полученный от сервера учета RADIUS.
<b>Requests</b>	Количество пакетов учетных RADIUS запросов, отправленных на сервер. Количество повторных передач не входит в данный показатель.
<b>Retransmission</b>	Количество пакетов учетных RADIUS запросов, повторно переданных на сервер учета RADIUS.
<b>Responses</b>	Количество RADIUS пакетов, принятых учетным портом сервера.
<b>Malformed Responses</b>	Количество искаженных пакетов учетных RADIUS ответов, полученных от сервера. Этот показатель включает в себя пакеты неверной длины, но не учитывает неверные удостоверения, атрибуты сигнатуры и неизвестные типы данных.
<b>Bad Authenticators</b>	Количество пакетов учетных RADIUS ответов с недопустимыми удостоверениями, полученных от сервера учета.
<b>Pending Requests</b>	Количество отправленных на сервер пакетов учетных RADIUS запросов, не получивших ответа от сервера, но еще не превысивших интервал ожидания ответа.
<b>Timeouts</b>	Количество превышений временного интервала при обмене учетными данными с сервером.
<b>Unknown Types</b>	Количество RADIUS пакетов неизвестного типа, принятых от сервера через учетный порт.
<b>Packets Dropped</b>	Количество RADIUS пакетов, принятых от сервера через учетный порт, но пропавших по другой причине.

### ***show radius source-interface***

Показать информацию о конфигурации исходного интерфейса (IP-адрес источника) RADIUS-клиента. Команда действует только в привилегированном режиме.

**Формат** `show radius source-interface`

**Режим ввода команд** Привилегированный режим

### ***show radius statistics***

Показать общую статистику сконфигурированных серверов RADIUS.

**Формат** `show radius statistics {ipaddr/dnsname | name servername}`

**Режим ввода команд** Привилегированный режим

<i>Параметр</i>	<i>Определение</i>
<b>ipaddr</b>	IP-адрес сервера.
<b>dnsname</b>	DNS-имя сервера.
<b>servername</b>	Дополнительное имя для идентификации сервера.
<b>RADIUS Server Name</b>	Имя сервера аутентификации.
<b>Server Host Address</b>	IP-адрес хоста.
<b>Access Requests</b>	Количество пакетов RADIUS запросов на доступ, отправленных на сервер. Повторные передачи не учитываются.
<b>Access Retransmissions</b>	Количество пакетов RADIUS запросов на доступ, повторно переданных на сервер аутентификации RADIUS.
<b>Access Accepts</b>	Количество допустимых и недопустимых RADIUS-пакетов, полученных от сервера, которым был разрешен доступ.
<b>Access Rejects</b>	Количество допустимых и недопустимых RADIUS-пакетов, полученных от сервера, которым не был разрешен доступ.
<b>Access Challenges</b>	Количество допустимых и недопустимых RADIUS-пакетов вызовов доступа, полученных от сервера.
<b>Malformed Access Responses</b>	Количество искаженных RADIUS-пакетов ответов на запросы на доступ, полученных от сервера. Этот показатель включает в себя пакеты неверной длины, но не учитывает неверные удостоверения, атрибуты сигнатуры и неизвестные типы данных.
<b>Bad Authenticators</b>	Количество RADIUS-пакетов ответов на запросы на доступ с недопустимыми удостоверениями или атрибутами сигнатуры, полученных от сервера.
<b>Pending Requests</b>	Количество отправленных на сервер RADIUS-пакетов запросов на доступ, не получивших ответа от сервера, но еще не превысивших интервал ожидания ответа.
<b>Timeouts</b>	Количество превышений временного интервала при аутентификации.
<b>Unknown Types</b>	Количество пакетов неизвестного типа, принятых от сервера через порт аутентификации.
<b>Packets Dropped</b>	Количество RADIUS-пакетов, принятых от сервера через порт аутентификации, но пропавших по другой причине.

## 7.11 Команды настройки протокола TACACS+

TACACS+ обеспечивает контроль доступа к объединенным в сеть устройствам через один или несколько централизованных серверов. Аналогично системе RADIUS, данный протокол упрощает аутентификацию посредством использования единой базы данных, к которой могут одновременно обращаться все клиенты обширной сети. Протокол TACACS+ основан на протоколе TACACS (описан в RFC1492), но дополнительно обеспечивает поддержку отдельных аутентификации, авторизации и учета. TACACS основывался на протоколе UDP (User Datagram Protocol), передача текстовых сообщений по сети проводилась в открытой форме; TACACS+ использует протокол TCP, что обеспечивает надежность доставки, и единый ключ для шифрования всех сообщений между клиентом и сервером.

### ***tacacs-server host***

Сконфигурировать сервер TACACS+. Команда используется в режиме глобальной конфигурации и включает режим конфигурации TACACS+. Параметр *ip-address/hostname* задает IP-адрес или имя хоста сервера TACACS+. Команда может использоваться неоднократно при необходимости задать несколько хостов.

**Формат** `tacacs-server host {ip-address | ipv6-address | hostname}`

**Режим ввода команд** Режим глобальной конфигурации

### ***no tacacs-server host***

Удалить заданное имя хоста или IP-адрес. Параметр *ipaddress| hostname* задает IP-адрес сервера TACACS+.

**Формат** `no tacacs-server host {ip-address | ipv6-address | hostname}`

**Режим ввода команд** Режим глобальной конфигурации

### ***tacacs-server key***

Сгенерировать ключ аутентификации и шифрования для всех соединений TACACS+ между коммутатором и TACACS+. Параметр *key-string* может содержать от 0 до 128 символов и задает ключ аутентификации и шифрования для всех соединений TACACS+ между коммутатором и сервером TACACS+. Данный ключ должен соответствовать ключу, используемому TACACS+.

Конфигурации с текстовым интерфейсом поддерживают секретные ключи сервера TACACS в зашифрованном и незашифрованном виде. При сохранении конфигурации секретные ключи хранятся только в зашифрованном виде. Для того чтобы ввести ключ в зашифрованном виде, следует вводить ключ вместе с ключевым словом *encrypted*. При выполнении команды *show running-config* секретные ключи отображаются в зашифрованном виде. В виде открытой информации данные ключи не отображаются.

**Формат** `tacacs-server key [key-string | encrypted key-string]`

**Режим ввода команд** Режим глобальной конфигурации

### ***no tacacs-server key***

Отключить использование ключа аутентификации и шифрования для всех соединений TACACS+ между коммутатором и TACACS+. Параметр *key-string* может содержать от 0 до 128 символов. Данный ключ должен соответствовать ключу, используемому TACACS+.

**Формат** `no tacacs-server key key-string`

**Режим ввода команд** Режим глобальной конфигурации

### ***tacacs-server keystring***

Задать глобальный ключ аутентификации и шифрования для всех TACACS+ соединений между сервером TACACS+ и клиентом.

**Формат** `tacacs-server keystring`

**Режим ввода команд** Режим глобальной конфигурации



### ***tacacs-server source-interface***

Задать исходный интерфейс (IP-адрес источника) для конфигурации сервера TACACS+. Команда используется в режиме глобальной конфигурации. Выбранный IP-адрес исходного интерфейса используется в IP-заголовках пакетов протокола системы управления. Это позволяет средствам межсетевой защиты (брандмауэрам) опознавать исходные пакеты, получаемые от того или иного коммутатора.

Если исходный интерфейс не задан, в качестве исходного IP-адреса используется главный адрес интерфейса, иницирующего соединение удаленного устройства.

**Формат** `tacacs-server source-interface {unit/slot/port|loopback Loopback-id|vlan vLan-id|serviseport|network}`

**Режим ввода команд** Режим глобальной конфигурации

<i>Параметр</i>	<i>Описание</i>
<b>unit/slot/port</b>	Идентификатор устройства, присвоенный коммутатору, в виде unit/slot/port.
<b>loopback-id</b>	Конфигурация loopback-интерфейса. Диапазон идентификаторов: 0-63
<b>vlan-id</b>	Конфигурация интерфейса VLAN, используемого в качестве исходного IP-адреса. Диапазон VLAN-идентификаторов: 1-4093

### ***no tacacs-server source-interface***

Удалить глобальный исходный интерфейс (выбор IP источника) для всех соединений TACACS+ между клиентом TACACS+ и сервером. Команда используется в режиме глобальной конфигурации.

**Формат** `no tacacs-server source-interface`

**Режим ввода команд** Режим глобальной конфигурации

### ***tacacs-server timeout***

Задать временной интервал ожидания ответа при соединении с серверами TACACS+. Параметр *timeout* задает время ожидания в секундах, диапазон значений: 1-30. Если интервал не задан администратором, команда устанавливает глобальный интервал на значение по умолчанию. Серверы TACACS+, не использующие глобальный интервал, сохраняют заданные значения данного параметра.

**По умолчанию** 5

**Формат** `tacacs-server timeout timeout`

**Режим ввода команд** Режим глобальной конфигурации

### ***no tacacs-server timeout***

Установить параметр ожидания ответа для всех серверов TACACS на значение по умолчанию.

**Формат** `no tacacs-server timeout`

**Режим ввода команд** Режим глобальной конфигурации

## **key**

Задать глобальный ключ аутентификации и шифрования для всех TACACS+ соединений между устройством и сервером TACACS. Команда используется в режиме конфигурации TACACS. Данный ключ должен соответствовать ключу, используемому TACACS+. Параметр *key-string* задает имя ключа и может содержать от 0 до 128 символов. Пустая строка вводится как пробел в кавычках « ».

Конфигурации с текстовым интерфейсом поддерживают секретные ключи сервера TACACS в зашифрованном и незашифрованном виде. При сохранении конфигурации секретные ключи хранятся только в зашифрованном виде. Для того чтобы ввести ключ в зашифрованном виде, следует вводить ключ вместе с ключевым словом *encrypted*. При выполнении команды *show running-config* секретные ключи отображаются в зашифрованном виде. В виде открытой информации данные ключи не отображаются.

**Формат** `key [key-string | encrypted key-string]`

**Режим ввода команд** Режим конфигурирования TACACS

## **keystring**

Задать ключ аутентификации и шифрования данного сервера TACACS+ для всех TACACS+ соединений между сервером TACACS+ и клиентом

**Формат** `keystring`

**Режим ввода команд** Режим конфигурирования TACACS-сервера

## **port**

Задать номер порта сервера. Диапазон значений параметра *port-number*: 0-65535.

**Значение по умолчанию** 49

**Формат** `port port-number`

**Режим ввода команд** Режим конфигурирования TACACS

## **priority (Режим конфигурации TACACS)**

Задать порядок обращения к серверам. Команда выполняется в режиме конфигурации TACACS. Параметр *priority* задает приоритет серверов. Высший приоритет – 0 (ноль), диапазон значений: 0-65535.

**Значение по умолчанию** 0

**Формат** `priority priority`

**Режим ввода команд** Режим конфигурирования TACACS

## **timeout**

Задать интервал ожидания ответа (в секундах). Команда используется в режиме конфигурации TACACS. Если интервал не задан администратором, используется глобальное значение. Параметр *timeout* задает интервал ожидания (в секундах), диапазон значений: 1-30.

**Формат** `timeout timeout`

**Режим ввода команд** Режим конфигурирования TACACS

## **show tacacs**

Показать информацию о конфигурации, статистике и исходящем интерфейсе клиента TACACS+.

**Формат** `show tacacs [ip-address | hostname | client | server]`

**Режим ввода команд** Привилегированный режим

<i>Параметр</i>	<i>Описание</i>
<b>Host address</b>	IP-адрес или имя хоста сконфигурированного сервера TACACS+.
<b>Port</b>	Номер порта сконфигурированного сервера TACACS+.
<b>TimeOut</b>	Интервал ожидания (в секундах) установления соединения TCP.
<b>Priority</b>	Порядок обращения к серверам TACACS+. В случае сбоя соединения с сервером следует попытка соединения со следующим по порядку сервером.

## **show tacacs source-interface**

Показать информацию о сконфигурированном глобальном исходящем интерфейсе клиента TACACS+. Команда используется в режиме глобальной конфигурации. IP-адрес выбранного интерфейса используется как IP-источника для всех соединений с сервером.

**Формат** `show tacacs source-interface`

**Режим ввода команд** Привилегированный режим

## **7.12 Команды сценариев конфигурации**

Команды сценариев используются для генерирования в текстовом формате файлов сценариев, отображающих текущую конфигурацию системы. Файлы сценариев конфигурации могут быть загружены на PC или систему UNIX и изменены. Измененные файлы могут быть впоследствии выгружены в другую систему для запуска новой конфигурации. Сценарии конфигурации могут выполняться на одном или нескольких коммутаторах с незначительными изменениями или без таковых.

Команда `show running-config` сохраняет текущую конфигурацию в виде сценария. Команда `copy` переносит сценарий конфигурации на коммутатор или с коммутатора.

Команда `show` показывает настройки конфигурации, хранящиеся в файле конфигурации при запуске (`startup-config`), резервной конфигурации (`backup-config`) или заводской конфигурации (`factorydefaults`).

Сценарии следует запускать на системах с конфигурациями по умолчанию; однако, возможен запуск и на системах с измененными конфигурациями.

Сценарии должны соответствовать следующим правилам:

- Файлы сценариев не распределяются по стеку, а хранятся в устройстве, которое являлось главным в стеке на момент загрузки файла.
- Необходимое разрешение файла: “.scr”.
- Находиться на коммутаторе могут не более 10 сценариев.

- Совокупный размер всех файлов сценариев на коммутаторе не должен превышать 2048 KB.
- Количество команд в файле конфигурации не должно превышать 2000.

Допускаются однострочные комментарии при написании тестовых сценариев или сценариев конфигурации для пояснения. Начало комментария отмечается восклицательным знаком (!). Символ, отмечающий начало комментария, может использоваться перед любым словом в команде, любая информация после этого символа не будет учитываться как часть команды. Любая команда, в начале которой стоит символ «!», распознается как комментарий и не учитывается анализатором.

Примеры строк в сценарии:

```
! Script file for displaying management access

show telnet !Displays the information about remote connections

! Display information about direct connections

show serial

! End of the script file!
```



Для обозначения пустого пользовательского пароля необходимо в сценарии конфигурации указать пароль как пробел в кавычках (« »). Так, команда изменения пароля для пользователя `jane` на пароль `hello` выглядит следующим образом:

```
users passwd jane
" "
hello
hello
```

### ***script apply***

Применить команды сценария на коммутаторе. Параметр *scriptname* соответствует имени сценария, который следует выполнить.

**Формат** `script apply scriptname`  
**Режим ввода команд** Привилегированный режим

### ***script delete***

Удалить сценарий. Параметр *scriptname* соответствует имени сценария, который следует удалить. Опция *all* удаляет все сценарии, присутствующие на устройстве.

**Формат** `script delete {scriptname | all}`  
**Режим ввода команд** Привилегированный режим

### ***script list***

Вывести список всех сценариев, присутствующих на устройстве, и оставшееся свободное место.

**Формат** `script list`  
**Режим ввода команд** Привилегированный режим

Параметр	Описание
Configuration Script	Имя сценария.
Size	Размер файла сценария.

### **script show**

Отобразить содержание файла сценария под именем *scriptname*.

**Формат** `script show scriptname`  
**Режим ввода команд** Привилегированный режим

Параметр	Описание
Output Format	Номер строки: содержание строки.

### **script validate**

Проверить правильность файла сценария путем анализа каждой строки в файле. Параметр *scriptname* – имя проверяемого сценария. Данная опция выявляет потенциальные источники проблем и используется для отладки сценария. Проблемы, порождаемые применением данного сценария на данном устройстве, могут остаться не выявленными.

**Формат** `script validate scriptname`  
**Режим ввода команд** Привилегированный режим

## **7.13 Команды настройки баннера, подсказки командной строки и имени устройства**

В данном разделе описаны команды настройки баннера и подсказки командной строки. Баннер представляет собой текст, выводимый перед авторизацией пользователя на подсказке User: prompt.

### **copy (pre-login banner)**

Загрузить баннер CLI на коммутатор или с коммутатора. Команда *copy* позволяет задать локальные URL-адреса через протоколы FTP, TFTP, SFTP, SCP и Xmodem.



Параметр *ipaddress* также допустим.

**Значение по умолчанию** Нет  
**Формат** `copy <tftp://<ipaddr>/<filepath>/<filename>>`  
`nvrाम:clibanner`  
`copy nvrाम:clibanner`  
`<tftp://<ipaddr>/<filepath>/<filename>>`  
**Режим ввода команд** Привилегированный режим

### ***set prompt***

Изменить имя подсказки. Имя вводится в буквенно-цифровом формате, длина имени не должна превышать 64 символа.

**Формат** `set prompt prompt_string`

**Режим ввода команд** Привилегированный режим

### ***hostname***

Задать имя хоста системы. Данная команда также меняет подсказку. Имя вводится в буквенно-цифровом виде с учетом регистра, длина имени не должна превышать 64 символа.

**Формат** `hostname hostname`

**Режим ввода команд** Привилегированный режим

### ***show clibanner***

Показать сконфигурированный баннер CLI перед входом в систему. Баннер перед входом в систему представляет собой текст, выводимый перед отображением подсказки CLI.

**Значение по умолчанию** Не показывать ничего перед подсказкой авторизации.

**Формат** `show clibanner`

**Режим ввода команд** Привилегированный режим

### ***set clibanner***

Настроить баннер CLI, отображающийся перед выводением подсказки авторизации.

**Формат** `set clibanner line`

**Режим ввода команд** Режим глобальной конфигурации

<b><i>Параметр</i></b>	<b><i>Описание</i></b>
<b><i>line</i></b>	Текст баннера. Разграничивающий символ – “” (двойные кавычки подряд). Сообщение баннера должно содержать не более 2000 символов

### ***no set clibanner***

Убрать настроенный баннер CLI.

**Формат** `no set clibanner`

**Режим ввода команд** Режим глобальной конфигурации

## 8 КОМАНДЫ НАСТРОЙКИ КОММУТАЦИИ

Этот раздел описывает команды коммутации, доступные в интерфейсе командной строки.



Все команды, приведенные в этом разделе, делятся на три функциональные группы:

- Команды `show` выводят информацию о настройках коммутатора, статистику и прочую информацию.
- Команды конфигурации настраивают функции коммутатора. Каждой команде конфигурации соответствует команда `show`, выводящая на дисплей настройки.
- Команды очистки, которые возвращают отдельные параметры или все настройки к заводским.

### 8.1 Команды настройки порта

В этой части описаны команды, которые используются для просмотра и изменения настроек порта.

#### *interface*

Данная команда предоставляет доступ к режиму конфигурации интерфейса, в котором можно выполнять включение или изменение операций определенного интерфейса (порта). Для одновременной настройки можно определить и диапазон портов, указав начальное значение `unit/slot/port`, конечное значение `unit/slot/port` и разделив их с помощью дефиса.

**Формат:** `interface {unit/slot/port | unit/slot/port(начало диапазона)-unit/slot/port(конец диапазона)}`

**Режим ввода команд:** глобальная конфигурация

#### *auto-negotiate*

Эта команда включает автоматическое согласование для отдельного порта или диапазона портов.



Данная команда устарела. Возможность включения/выключения режима автосогласования с помощью команды `auto-negotiate` не поддерживается. Вместо этой команды используются варианты команды `speed` (т. е. `speed` для выключения и `speed auto` для включения автосогласования). Тем не менее в целях обеспечения обратной совместимости сценарии конфигурации с использованием команды `auto-negotiate` по-прежнему поддерживаются. Для обеспечения обратной совместимости данной команды может выполняться перенос конфигурации как в текстовом формате, так и в формате бинарного файла.

**Значение по умолчанию:** включено

**Формат:** `auto-negotiate`

**Режим ввода команд:** конфигурирование интерфейса

## *no auto-negotiate*

Команда выключает автоматическое согласование порта.



При выключении автоматического согласования выключается и автоматическое распознавание порта.

**Формат:** no auto-negotiate  
**Режим ввода команд:** конфигурирование интерфейса

## *auto-negotiate all*

Данная команда включает автоматическое согласование для всех портов.

**Значение по умолчанию:** включено  
**Формат:** auto-negotiate all  
**Режим ввода команд:** глобальная конфигурация

## *no auto-negotiate all*

Команда выключает автоматическое согласование для всех портов.

**Формат:** no auto-negotiate all  
**Режим ввода команд:** глобальная конфигурация

## *description*

Команда используется для создания описания интерфейса или диапазона интерфейсов в буквенно-цифровом формате.

**Формат:** description description  
**Режим ввода команд:** конфигурирование интерфейса

## *media-type*

Команда переключения режимов оптического волокна и медного кабеля для комбинированных портов.

- Комбинированный порт — это порт или интерфейс, способный работать как в оптическом, так и в медном режиме.
- Медный порт и оптический порт. Медный порт использует в качестве среды передачи медный кабель (примером могут служить порты RJ45). Оптический порт использует в качестве среды передачи оптическое волокно (примером могут служить порты SFP).

**Значение по умолчанию:** Auto-select, SFP preferred  
**Формат:** media-type {auto-select | rj45 | sfp }  
**Режим ввода команд:** конфигурирование интерфейса

Команда media-type поддерживает следующие режимы.

- **Auto-select, SFP preferred:** носитель определяется автоматически на основании фактического



физического носителя. Если обнаружены оба соединения (и оптическое, и медное), приоритет устанавливается за оптическим соединением, оно становится активным.

- **Auto-select, RJ45 preferred:** носитель определяется автоматически на основании фактического физического носителя. Если обнаружены оба соединения (и оптическое, и медное), приоритет устанавливается за медным, это соединение становится активным.
- **SFP:** работает только оптическое соединение. Соединение по медному кабелю всегда выключено.
- **RJ45:** работает только соединение по медному кабелю. Оптическое соединение всегда выключено.

### *no media-type*

Данная команда отменяет настройки, выполненные с помощью команды *media-type*, и возвращает настройки интерфейса к значению по умолчанию.

**Формат:** `no media-type`  
**Режим ввода команд:** конфигурирование интерфейса

### ***mtu***

Команда *mtu* служит для настройки размера Maximum Transmit Unit (MTU) в байтах для входящих и исходящих кадров данного интерфейса. Дополнительно эту команду можно использовать, чтобы настроить поддержку сверхдлинного кадра для физических и агрегированных (LAG) интерфейсов. В стандартной конфигурации размер MTU может быть целым числом в интервале 1504–12270 для тегированных пакетов и целым числом в интервале 1500–12270 для нетегированных пакетов.



**Для приема пакетов и их обработки размер Ethernet MTU должен включать дополнительные байты, достаточные для передачи заголовков уровня 2. По вопросу настройки IP MTU, максимального размера входного пакета (заголовок + полезная нагрузка входного пакета), см. команду *ip mtu* на стр. 819.**

**Значение по умолчанию:** 1500 (для нетегированных пакетов)  
**Формат:** `mtu 1518-12270`  
**Режим ввода команд:** конфигурирование интерфейса

### *no mtu*

Команда возвращает размер MTU (в байтах) для интерфейса к значению по умолчанию.

**Формат:** `no mtu`  
**Режим ввода команд:** конфигурирование интерфейса

### ***shutdown***

Эта команда выключает порт или диапазон портов.



Команду `shutdown` можно использовать при работе с физическим и агрегированным (LAG) интерфейсом, однако она не подходит для выключения виртуального интерфейса маршрутизации.

**Значение по умолчанию:** включено  
**Формат:** `shutdown`  
**Режим ввода команд:** конфигурирование интерфейса

### *no shutdown*

Данная команда включает порт.

**Формат:** `no shutdown`  
**Режим ввода команд:** конфигурирование интерфейса

### *shutdown all*

Команда выключает все порты.



Команду `shutdown all` можно использовать при работе с физическими и агрегированными (LAG) интерфейсами, однако она не подходит для выключения виртуальных интерфейсов маршрутизации.

**Значение по умолчанию:** включено  
**Формат:** `shutdown all`  
**Режим ввода команд:** глобальная конфигурация

### *no shutdown all*

Данная команда включает все порты.

**Формат:** `no shutdown all`  
**Режим ввода команд:** глобальная конфигурация

### *speed*

Команда используется для включения или выключения автосогласования и для настройки скорости, анонсированной для данного порта. Параметр `duplex` позволяет устанавливать анонсированную скорость как для полудуплексов, так и для полного дуплекса.

Ключевое слово `auto` используется для включения автосогласования для порта. Если ключевое слово `auto` не указано, автосогласование будет выключено, а скорость и режим порта будут настроены в соответствии со значениями команды. При выключении автосогласования необходимо указывать настройки скорости и дуплексного режима.

**Значение по умолчанию:** включено автосогласование.  
**Формат:**  
`speed auto {10|100|1000|2.5G|10G|20G|25G|40G|50G|100G}`  
`[10|100|1000|2.5G|10G|20G|25G|40G|50G|100G] [half-`  
`duplex|full-duplex]`  
`speed {10|100|1000|2.5G|10G|20G|25G|40G|50G|100G} {half-`  
`duplex|full-duplex}.`

**Режим ввода команд:** конфигурирование интерфейса

### ***speed all***

Данная команда устанавливает скорость и настройки дуплекса для всех интерфейсов, если автосогласование выключено. Если автоматическое согласование включено, команда вернет сообщение об ошибке. Для выключения автоматического согласования можно использовать команду `no auto-negotiate`.

**Значение по умолчанию:** включено автосогласование. Значения объявляемых скоростей: 10h, 10f, 100h, 100f, 1000f.

**Формат:** `speed all {100 | 10} {half-duplex | full-duplex}`

**Режим ввода команд:** глобальная конфигурация

### ***show interface media-type***<sup>1</sup>

Команда отображает конфигурацию типа носителя для интерфейса.

**Формат:** `show interface media-type`

**Режим ввода команд:** привилегированный

В рамках данной команды отображается следующая информация.

<i>Параметр</i>	<i>Описание</i>
<b>Port</b>	Интерфейс в формате unit/slot/port.
<b>Configured Media Type</b>	Тип среды передачи для данного интерфейса. auto-select — тип среды передачи выбран автоматически. Отображается предпочтительный тип среды передачи. RJ45 — порт RJ45 SFP — порт SFP-порт
<b>Active</b>	Текущее оперативное состояние комбинированного порта

### ***show interfaces status***

Используйте эту команду для отображения информации интерфейса, включая описание, статус порта, скорость. Команда похожа на `show port`, но отображает дополнительные поля, такие как описание интерфейса и возможности порта. Описание интерфейса сопоставимо с существующим описанием поля `<name>`, которое ограничено до 28 символов.

**Значение по умолчанию:** Выключено

**Формат:** `show interfaces status [{unit/slot/port | vlan id | all}]`

**Режим ввода команды:** привилегированный

<sup>1</sup> Отсутствует в текущей версии ПО

<i>Параметр</i>	<i>Описание</i>
<b>Port</b>	Интерфейс в формате unit/slot/port.
<b>Name</b>	Название интерфейса, созданное пользователем.
<b>Admin Mode</b>	Административное состояние управления портами. Порт должен быть включен в соответствии с требованиями доступа к сети. Возможные значения: enabled или disabled. В качестве заводской настройки используется enabled (включено).
<b>Link State</b>	Показывает, создано или разорвано соединение.
<b>Physical Mode</b>	Скорость и дуплексный режим порта. Если выбрана поддержка автосогласования, скорость и дуплексный режим устанавливаются в процессе автоматического согласования. Обратите внимание: анонсируется максимальная мощность порта (полный дуплекс — 100M). Если нет, данный параметр определяет дуплексный режим порта и скорость передачи. В качестве заводской настройки используется auto (автосогласование).
<b>Physical Status</b>	Скорость порта и дуплексный режим.
<b>Media Type</b>	Тип подключенного SFP-модуля.
<b>Flow Control Status</b>	Состояние Flow Control.

### **show port**

Эта команда отображает информацию о порте.

**Формат:** `show port {intf-range | all}`

**Режим ввода команд:** привилегированный

<i>Параметр</i>	<i>Описание</i>
<b>Interface</b>	Интерфейс в формате unit/slot/port
<b>Type</b>	Если поле заполнено, оно определяет, что порт относится к особому типу. Возможные значения приведены далее.  <i>Mirror</i> — данный порт является портом мониторинга. Подробнее об этом см. в теме «Команды зеркального копирования порта» на стр. 617.  <i>PC Mbr</i> — порт является частью агрегированного интерфейса (LAG).  <i>Probe</i> — данный порт является тестовым.
<b>Admin Mode</b>	Административное состояние управления портами. Порт должен быть включен в соответствии с требованиями доступа к сети. Возможные значения: enabled или disabled. В качестве заводской настройки используется enabled (включено).
<b>Physical Mode</b>	Скорость и дуплексный режим порта. Если выбрана поддержка автосогласования, скорость и дуплексный режим устанавливаются в процессе автоматического согласования. Обратите внимание: анонсируется максимальная мощность порта (полный дуплекс — 100M).

	Если нет, данный параметр определяет дуплексный режим порта и скорость передачи. В качестве заводской настройки используется auto (автосогласование).
<b>Physical Status</b>	Скорость порта и дуплексный режим.
<b>Link Status</b>	Создано или разорвано соединение.
<b>Link Trap</b>	Данный параметр определяет, нужно ли отправлять SNMP-трап при смене состояния соединения. В качестве заводской настройки используется enabled (включено).
<b>LACP Mode</b>	Определяет, включен или выключен LACP для данного порта

### **show port advertise**

Данная команда отображает настройки анонсирования для локального административного соединения, локального оперативного соединения и интерфейса соединения партнёра. Она также показывает приоритет очередности выбора скорости и дуплекса согласно стандарту 802.3, приложение 28В.3. Отображает состояние автоматического согласования, физическую конфигурацию для ведущего/ведомого таймера и состояние соединения порта.

Если соединение выключено, состояние таймера будет показано как No Link, а в строках параметров Oper Peer advertisement и Priority Resolution будут стоять прочерки. Если автоматическое согласование выключено, поля Admin Local Link advertisement, Operational local link advertisement, Operational peer advertisement и Priority resolution fields не отображаются.

Если в команде не указан необязательный параметр unit/slot/port, вывод отображает состояние автоматического согласования и оперативное анонсирование локального соединения всех портов. Оперативное анонсирование соединения будет отображать скорость только при условии, что она поддерживается и локальным, и партнерским соединением. Если автосогласование недоступно, оперативное анонсирование локального соединения не отображается.

**Формат:** show port advertise [unit/slot/port]

**Режим ввода команд:** привилегированный

### **show port description**

Эта команда отображает описание интерфейса. Вместо параметра unit/slot/port можно использовать lag lag-intf-num как альтернативный вариант определения LAG-интерфейса. Параметр lag lag-intf-num можно использовать для определения конкретного LAG-интерфейса, при этом значение lag-intf-num должно указывать номер порта LAG.

**Формат:** show port description unit/slot/port

**Режим ввода команд:** привилегированный

<b>Параметр</b>	<b>Описание</b>
<b>Interface</b>	Интерфейс в формате unit/slot/port.
<b>Index</b>	Индекс интерфейса, связанный с данным портом.
<b>Description</b>	Буквенно-цифровое описание интерфейса, созданное с помощью команды «description» на стр. 425.
<b>MAC address</b>	MAC-адрес порта. В формате шести двузначных номеров шестнадцатеричной системы, разделенных

	двоеточиями, например: 01:23:45:67:89:AB.
Bit Offset Val	Величина смещения битов.

## 8.2 Команды настройки протокола STP

В этой части представлены команды, которые используются для настройки Spanning Tree Protocol (STP). STP помогает предотвратить образование сетевых петель и дублирование сообщений, а также уменьшает нестабильность сети.



**STP на коммутаторе и всех портах, а также LAG-интерфейсах включен по умолчанию.**

### *spanning-tree*

Данная команда устанавливает оперативный режим остоного дерева в состояние «включено».

**Значение по умолчанию:** включено  
**Формат:** spanning-tree  
**Режим ввода команд:** глобальная конфигурация

### *no spanning-tree*

Команда устанавливает оперативный режим остоного дерева в состояние «выключено». Если остоное дерево выключен, его конфигурация сохраняется и доступна для редактирования, но не может быть активирована.

**Формат:** no spanning-tree  
**Режим ввода команд:** глобальная конфигурация

### *spanning-tree auto-edge*

Эта команда позволяет интерфейсу стать периферийным портом, если за установленный период времени он не получит ни одного BPDU.

**Значение по умолчанию:** включено  
**Формат:** spanning-tree auto-edge  
**Режим ввода команд:** конфигурирование интерфейса

### *no spanning-tree auto-edge*

Данная команда возвращает настройку режима auto-edge для порта к значению по умолчанию.

**Формат:** no spanning-tree auto-edge  
**Режим ввода команд:** конфигурирование интерфейса

## ***spanning-tree backbonefast***

Команда используется для включения обнаружения сбоев не прямых соединений и ускорения конвергенции на коммутаторах, настроенных с использованием PVSTP.

Функция backbonefast ускоряет поиск альтернативных путей, когда не прямое соединение с корневым портом выключается.

Настроить backbonefast можно даже в тех случаях, когда коммутатор настроен на использование режимов MST (RSTP) или PVST. Однако работает эта функция, только если коммутатор настроен на использование режима PVST.

Когда коммутатор с настроенной функцией backbonefast получает сбойный BPDU от назначенного корневого коммутатора или заблокированного порта, если существуют альтернативные пути доступа к ним, коммутатор устанавливает максимальное время хранения адреса для интерфейсов, от которых получен сбойный BPDU. Это позволяет заблокированному порту незамедлительно перейти в режим ожидания, из которого он сможет обычным образом вернуться в состояние переадресации.

При получении сбойного BPDU от назначенного моста коммутаторы с настроенной функцией backbonefast отправляют запрос Root Link Query (RLQ) всем неназначенным портам, за исключением порта, с которого был получен сбойный BPDU. Такая проверка подтверждает, что коммутатор может получать корневые пакеты на портах, где ожидается получение BPDU. Порт, из которого был получен первичный сбойный BPDU, исключается из списка, поскольку продемонстрировал ошибку. Назначенные порты исключаются, поскольку они не ведут к корню.

Если на RLQ-запрос получен отрицательный ответ, принимающий порт потерял соединение с корнем, поэтому его BPDU сразу же объявляются устаревшими. Если отрицательный ответ получен по всем неназначенным портам, весь мост потерял соединение с корнем и может начинать расчет STP заново.

Если получен утвердительный ответ, т.е. коммутатор может получить доступ к корневому мосту по одному из портов, порт, на котором был получен первичный сбойный BPDU, сразу же объявляется устаревшим

Мост, который отправляет RLQ-запрос, записывает свой идентификатор моста в PDU. Это позволяет не передавать ответ на назначенные порты.

Мост, который получает RLQ и может соединиться с корнем, перенаправляет запрос к корню через свой корневой порт.

Мост, который получает RLQ и не может соединиться с корнем (идентификатор моста коммутатора отличается от идентификатора корневого моста в запросе) или является корневым мостом, сразу отправляет в ответ на запрос идентификатор своего корневого моста.

Ответы на RLQ-запрос передаются на назначенные порты.

**Значение по умолчанию:** не определено  
**Формат:** spanning-tree backbonefast  
**Режим ввода команд:** глобальная конфигурация

### *no spanning-tree backbonefast*

Данная команда выключает функцию backbonefast.



Использование PVSTP подразумевает поддержку backbonefast и uplinkfast. Даже если функции uplinkfast и backbonefast настроены, они действуют только в режиме PVSTP.

**Формат:** no spanning-tree backbonefast

**Режим ввода команд:** глобальная конфигурация

### *spanning-tree bpdufilter*

Используйте данную команду для включения фильтра BPDU на интерфейсе или диапазоне интерфейсов.

**Значение по умолчанию:** выключено

**Формат:** spanning-tree bpdufilter

**Режим ввода команд:** конфигурирование интерфейса

### *no spanning-tree bpdufilter*

Команда используется для выключения фильтра BPDU на интерфейсе или диапазоне интерфейсов.

**Значение по умолчанию:** выключено

**Формат:** no spanning-tree bpdufilter

**Режим ввода команд:** конфигурирование интерфейса

### *spanning-tree bpdufilter default*

Данная команда используется для включения фильтра BPDU на всех периферийных интерфейсах.

**Значение по умолчанию:** выключено

**Формат:** spanning-tree bpdufilter default

**Режим ввода команд:** глобальная конфигурация

### *no spanning-tree bpdufilter default*

Команда используется для выключения фильтра BPDU на всех периферийных интерфейсах.

**Значение по умолчанию:** выключено

**Формат:** no spanning-tree bpdufilter default

**Режим ввода команд:** глобальная конфигурация

### *spanning-tree bpduflood*

Данная команда используется для включения BPDU Flood на интерфейсе или диапазоне интерфейсов.

**Значение по умолчанию:** выключено



**Формат:** spanning-tree bpduflood  
**Режим ввода команд:** конфигурирование интерфейса

### *no spanning-tree bpduflood*

Команда для выключения BPDU Flood на интерфейсе или диапазоне интерфейсов.

**Значение по умолчанию:** выключено  
**Формат:** no spanning-tree bpduflood  
**Режим ввода команд:** конфигурирование интерфейса

### *spanning-tree bpduguard*

Данная команда используется для включения BPDU Guard на коммутаторе.

**Значение по умолчанию:** выключено  
**Формат:** spanning-tree bpduguard  
**Режим ввода команд:** глобальная конфигурация

### *no spanning-tree bpduguard*

Команда используется для выключения BPDU Guard на коммутаторе.

**Значение по умолчанию:** выключено  
**Формат:** no spanning-tree bpduguard  
**Режим ввода команд:** глобальная конфигурация

### *spanning-tree bpdumigrationcheck*

Команда используется для принудительной передачи BPDU, связанных с протоколами Rapid spanning tree (RSTP) и Multiple spanning tree (MSTP). Параметр *unit/slot/port* включает передачу BPDU из определенного интерфейса. Ключевое слово *all* позволяет передавать BPDU протоколов RST или MST из всех интерфейсов. Принудительная передача BPDU выполняется только при выполнении данной команды, поэтому она не влияет на системные настройки и не имеет соответствующей по-команды.

**Формат:** spanning-tree bpdumigrationcheck {unit/slot/port | all}  
**Режим ввода команд:** глобальная конфигурация

### *spanning-tree configuration name*

Данная команда устанавливает Configuration Identifier Name для обозначения конфигурации, которую данный коммутатор использует в данный момент. Параметр *name* является строкой длиной до 32 символов.

**Значение по умолчанию:** основной MAC-адрес в шестнадцатеричном формате  
**Формат:** spanning-tree configuration name name  
**Режим ввода команд:** глобальная конфигурация

### *no spanning-tree configuration name*

Команда возвращает Configuration Identifier Name к значению по умолчанию.

**Формат:** no spanning-tree configuration name

**Режим ввода команд:** глобальная конфигурация

### ***spanning-tree configuration revision***

Команда устанавливает значение Configuration Identifier Revision Level для обозначения конфигурации, которую данный коммутатор использует в данный момент. Параметр Configuration Identifier Revision Level представляет собой число в диапазоне от 0 до 65535.

**Значение по умолчанию:** 0

**Формат:** spanning-tree configuration revision 0-65535

**Режим ввода команд:** глобальная конфигурация

### ***no spanning-tree configuration revision***

Эта команда возвращает параметр Configuration Identifier Revision Level для обозначения конфигурации, которую данный коммутатор использует в данный момент, к значению по умолчанию.

**Формат:** no spanning-tree configuration revision

**Режим ввода команд:** глобальная конфигурация

### ***spanning-tree cost***

Используйте данную команду для конфигурации стоимости внешнего пути для порта, использованного MST. Если использовано ключевое слово auto, стоимость пути от порта до корневого моста определяется автоматически по скорости интерфейса. Чтобы настроить затраты вручную, укажите значение параметра cost в диапазоне 1–200000000.

**Значение по умолчанию:** auto

**Формат:** spanning-tree cost {cost | auto}

**Режим ввода команд:** конфигурирование интерфейса

### ***no spanning-tree cost***

Данная команда возвращает настройку затрат внешнего пути для порта к значению по умолчанию.

**Формат:** no spanning-tree cost

**Режим ввода команд:** конфигурирование интерфейса

### ***spanning-tree edgeport***

Данная команда определяет интерфейс (или диапазон интерфейсов) как периферийный порт (порты) в рамках общего и внутреннего остоного дерева. Такая настройка позволяет порту без задержки переходить к состоянию переадресации.

**Формат:** spanning-tree edgeport

**Режим ввода команд:** конфигурирование интерфейса

### *no spanning-tree edgeport*

Команда определяет, что данный порт не является периферийным портом в рамках общего и внутреннего остоного дерева.

**Формат:** no spanning-tree edgeport  
**Режим ввода команд:** конфигурирование интерфейса

### *spanning-tree forward-time*

Эта команда устанавливает параметр Bridge Forward Delay на новое значение в рамках общего и внутреннего остоного дерева. Значение времени переадресации указывается в секундах в диапазоне от 4 до 30, при этом оно должно быть равным или превышать результат выражения «(Bridge Max Age / 2) + 1».

**Значение по умолчанию:** 15  
**Формат:** spanning-tree forward-time 4-30  
**Режим ввода команд:** глобальная конфигурация

### *no spanning-tree forward-time*

Данная команда устанавливает параметр Bridge Forward Delay в значение для общего и внутреннего остоного дерева по умолчанию.

**Формат:** no spanning-tree forward-time  
**Режим ввода команд:** глобальная конфигурация

### *spanning-tree guard*

Данная команда определяет включение функций контроля петель или контроля корня для интерфейса или диапазона интерфейсов. В случае если ни одна из них не включена, порт работает в соответствии с MSTP.

**Значение по умолчанию:** none  
**Формат:** spanning-tree guard {none | root | loop}  
**Режим ввода команд:** конфигурирование интерфейса

### *no spanning-tree guard*

Команда выключает функции контроля петель или контроля корня для интерфейса.

**Формат:** no spanning-tree guard  
**Режим ввода команд:** конфигурирование интерфейса

### *spanning-tree max-age*

Эта команда устанавливает новое значение параметра Bridge Max Age для общего и внутреннего остоного дерева. Значение максимального времени указывается в секундах в диапазоне от 4 до 30, при этом оно должно быть равным или меньше результата выражения «2 x (Bridge Forward Delay – 1)».

**Значение по умолчанию:** 20

**Формат:** spanning-tree max-age 6-40

**Режим ввода команд:** глобальная конфигурация

### *no spanning-tree max-age*

Команда возвращает параметр Bridge Max Age для общего и внутреннего остоного дерева к значению по умолчанию.

**Формат:** no spanning-tree max-age

**Режим ввода команд:** глобальная конфигурация

### *spanning-tree max-hops*

Эта команда устанавливает новое значение параметра Bridge Max Hops для общего и внутреннего остоного дерева. Значение максимального количества хопов указывается в диапазоне от 6 до 40.

**Значение по умолчанию:** 20

**Формат:** spanning-tree max-hops 6-40

**Режим ввода команд:** глобальная конфигурация

### *no spanning-tree max-hops*

Эта команда возвращает значение параметра Bridge Max Hops для общего и внутреннего остоного дерева к значению по умолчанию.

**Формат:** no spanning-tree max-hops

**Режим ввода команд:** глобальная конфигурация

### *spanning-tree mode*

Данная команда настраивает режим глобального остоного дерева посредством остоного дерева VLAN, Rapid-PVST, MST, RSTP или STP. Для коммутатора можно включить только один из протоколов MSTP (RSTP), PVST или RPVST.

При включении PVST или Rapid-PVST (PVRSTP) протоколы MSTP/RSTP/STP выключаются в оперативном порядке. При переключении на MSTP/RSTP/STP выключается PVSTP/PVRSTP. По умолчанию в включен протокол MSTP. При активном PVSTP или PVRSTP в BPDU содержится информация по сетям VLAN, а не сводная информация остоного дерева (MST/RSTP).

PVSTP обрабатывает независимые данные по каждому остоному дереву настроенных сетей VLAN. PVSTP использует транкинг IEEE 802.1Q и позволяет транкинговой VLAN обслуживать статус блокировки или переадресации каждого порта по каждой сети VLAN. Это позволяет транкинговому порту выполнять переадресацию на одном VLAN и быть заблокированным в других VLAN.

Работа PVRSTP основана на стандарте IEEE 802.1w. Он поддерживает быструю конвергенцию IEEE 802.1D. PVRSTP совместим с остоным деревом IEEE 802.1D. PVRSTP отправляет BPDU всем портам, а не только на корневой мост, и поддерживает состояния удаления, определения и переадресации.

Когда режим меняется на PVRSTP, передача STP BPDU версии 0 прекращается, и во включенные для данного основного дерева сети VLAN передаются PVRSTP BPDU версии 2 с информацией по каждой VLAN. При наличии BPDU версии 0 PVRSTP возвращается отправке BPDU версии 0.

Rapid Spanning Tree Protocol (PVRSTP) при работе по каждой VLAN обеспечивает поддержку функций PVSTP backbonefast и uplinkfast. Включение или выключение этих функций в PVRSTP не предусмотрено.

**Значение по умолчанию:** выключено  
**Формат:** spanning-tree mode {mst | pvst | rapid-pvst | stp | rstp }  
**Режим ввода команд:** глобальная конфигурация

### *no spanning-tree mode*

Данная команда глобально возвращает режим остовного дерева по умолчанию.

**Формат:** no spanning-tree mode { pvst | rapid-pvst }  
**Режим ввода команд:** глобальная конфигурация

### *spanning-tree mst*

Эта команда устанавливает стоимость пути или значение приоритета порта для конкретного порта при использовании экземпляра multiple spanning tree (MST) или common and internal spanning tree (CIST). Если параметр *mstid* определен в соответствии с экземпляром MST, конфигурация выполняется для этого MST. Если параметр *mstid* задан как 0 (идентификатор CIST по умолчанию), конфигурация будет выполнена для CIST.

Если указать опцию **cost**, команда будет устанавливать стоимость пути для порта в экземпляре MST или в CIST, в зависимости от параметра *mstid*. Значение стоимости пути можно установить в диапазоне от 1 до 200000000 или как **auto**. При настройке стоимости как **auto** стоимость пути устанавливается на основании скорости соединения.

Если определена опция **port-priority**, данная команда устанавливает приоритет для данного порта в экземпляре MST или в CIST, в зависимости от параметра *mstid*. Значение **port-priority** можно указать в диапазоне от 0 до 240 с шагом в 16 единиц.

**Значение по умолчанию:** cost—auto  
port-priority—128  
**Формат:** spanning-tree mst *mstid* {{cost 1-200000000 | auto} | port-priority 0-240}  
**Режим ввода команд:** конфигурирование интерфейса

### *no spanning-tree mst*

Данная команда устанавливает стоимость пути или значение приоритета порта для конкретного порта при использовании экземпляра multiple spanning tree (MST) или common and internal spanning tree (CIST) в значение по умолчанию. Если параметр *mstid* определен в соответствии с экземпляром MST, настройка выполняется для этого MST. Если параметр *mstid* задан как 0 (идентификатор CIST по умолчанию), настройка будет выполнена для экземпляра CIST.

Если указать опцию **cost**, команда установит значение стоимости пути для порта по умолчанию в экземпляре MST или в CIST, в зависимости от параметра *mstid*, то есть стоимость пути будет определяться на основании скорости соединения.

Если определена опция **port-priority**, данная команда устанавливает приоритет для данного порта в значение по умолчанию в экземпляре MST или в CIST, в зависимости от параметра *mstid*.

**Формат:** `no spanning-tree mst mstid {cost | port-priority}`

**Режим ввода команд:** конфигурирование интерфейса

### ***spanning-tree mst instance***

Команда добавляет к коммутатору экземпляр MST. Параметр *mstid* представляет собой число в диапазоне от 1 до 4094, которое соответствует идентификатору добавляемого экземпляра. Коммутатор может поддерживать до 32 экземпляров MST.

**Значение по умолчанию:** отсутствует

**Формат:** `spanning-tree mst instance mstid`

**Режим ввода команд:** глобальная конфигурация

### ***no spanning-tree mst instance***

Данная команда удаляет экземпляр MST из настроек коммутатора и выполняет привязку всех связанных с удаленным экземпляром сетей VLAN к CIST. Параметр *mstid* представляет собой число, которое соответствует идентификатору удаляемого экземпляра.

**Формат:** `no spanning-tree mst instance mstid`

**Режим ввода команд:** глобальная конфигурация

### ***spanning-tree mst priority***

Данная команда устанавливает приоритет моста для конкретного экземпляра MST. Параметр *mstid* представляет собой число, которое соответствует идентификатору соответствующего экземпляра MST. Значение приоритета можно указать как число в диапазоне от 0 до 4094.

Если параметр *mstid* задан как 0 (идентификатор CIST по умолчанию), приоритет моста будет настроен в новое значение для CIST. Значение приоритета моста можно указать как число в диапазоне от 0 до 4094. В соответствии со спецификацией 802.1s 12 наименее значимых битов скрываются. В таких случаях приоритет округляется в меньшую сторону до следующего действительного значения.

**Значение по умолчанию:** 32768

**Формат:** `spanning-tree mst priority mstid 0-4094`

**Режим ввода команд:** глобальная конфигурация

### ***no spanning-tree mst priority***

Команда устанавливает приоритет моста для конкретного экземпляра MST в значение по умолчанию. Параметр *mstid* представляет собой число, которое соответствует идентификатору соответствующего экземпляра MST.

Если параметр *mstid* передается как 0 (идентификатор CIST по умолчанию), приоритет моста будет настроен в значение по умолчанию для CIST.

**Формат:** `no spanning-tree mst priority mstid`

**Режим ввода команд:** глобальная конфигурация

### ***spanning-tree mst vlan***

Данная команда добавляет связь между экземпляром MST и одной или несколькими VLAN таким образом, что эти VLAN перестают быть связанными с CIST. Параметр *mstid* указывается в диапазоне от 0 до 4094 и является идентификатором экземпляра MST. Значение *vlanid* может быть задано как отдельная VLAN, список или диапазон значений. Список VLAN необходимо указывать как список идентификаторов VLAN в диапазоне от 1 до 4093, разделенных запятыми без пробелов. Для указания диапазона VLAN между начальным и конечным идентификатором VLAN ставится дефис (-). Использовать пробелы и нули нельзя. Указанные идентификаторы VLAN могут быть существующими или несуществующими в данной системе.

**Формат:** `spanning-tree mst vlan mstid vlanid`

**Режим ввода команд:** глобальная конфигурация

### ***no spanning-tree mst vlan***

Эта команда удаляет связь между экземпляром MST и одной или несколькими VLAN, в результате эти VLAN опять оказываются связаны с CIST.

**Формат:** `no spanning-tree mst vlan mstid vlanid`

**Режим ввода команд:** глобальная конфигурация

### ***spanning-tree port mode***

Данная команда устанавливает административный статус порта коммутатора в состояние, когда он включен для использования остовным деревом.

**Значение по умолчанию:** включено

**Формат:** `spanning-tree port mode`

**Режим ввода команд:** конфигурирование интерфейса

### ***no spanning-tree port mode***

Эта команда устанавливает административный статус порта коммутатора в состояние, когда он выключен для использования остовным деревом.

**Формат:** `no spanning-tree port mode`

**Режим ввода команд:** конфигурирование интерфейса

### ***spanning-tree port mode all***

Данная команда устанавливает административный статус всех портов коммутатора во включенное состояние.

**Значение по умолчанию:** включено

**Формат:** `spanning-tree port mode all`

**Режим ввода команд:** глобальная конфигурация

### *no spanning-tree port mode all*

Данная команда устанавливает административный статус всех портов коммутатора в выключенное состояние.

**Формат:** no spanning-tree port mode all

**Режим ввода команд:** глобальная конфигурация

### *spanning-tree port-priority*

Команда используется для смены значения приоритета порта и позволяет оператору выбирать относительную значимость порта в процессе переадресации. Чтобы данный порт был предпочтительным для переадресации кадров, нужно установить меньшее значение.

Для всех портов LAN значение приоритета по умолчанию установлено как 128. PVSTP/PVRSTP настраивает порт LAN с наименьшим номером в состоянии переадресации и блокирует все остальные порты LAN.

Когда конкретный порт LAN настроен как периферийный порт, приложение использует значение приоритета порта.

**Значение по умолчанию:** включено

**Формат:** spanning-tree port-priority 0-240

**Режим ввода команд:** конфигурирование интерфейса

### *spanning-tree tcnguard*

Команда включает TCN guard на данном интерфейсе. Во включенном состоянии TCN guard предотвращает дальнейшее распространение любой информации, полученной через данный интерфейс, если она связана с изменением топологии.

**Значение по умолчанию:** выключено

**Формат:** spanning-tree tcnguard

**Режим ввода команд:** конфигурирование интерфейса

### *no spanning-tree tcnguard*

Команда устанавливает состояние TCN guard на данном интерфейсе в значение по умолчанию.

**Формат:** no spanning-tree tcnguard

**Режим ввода команд:** конфигурирование интерфейса

### *spanning-tree transmit*

Данная команда устанавливает параметр отсчета задержки для передающего моста.

**Значение по умолчанию:** 6

**Формат:** spanning-tree transmit hold-count

**Режим ввода команд:** глобальная конфигурация



<i>Параметр</i>	<i>Описание</i>
<b>hold-count</b>	Параметр отсчета задержки для передающего моста (целое число в промежутке от 1 до 10).

### ***spanning-tree uplinkfast***

Используйте данную команду для настройки частоты отправки пустых кадров (в пакетах за секунду) после переключения коммутатора, настроенного на использование PVSTP, на альтернативный порт, а также для включения на PVSTP-коммутаторе режима uplinkfast. Диапазон значений — от 0 до 32000; по умолчанию — 150. Дополнительным эффектом при выполнении данной команды становится ускоренная конвергенция остовного дерева после переключения на альтернативный порт.

Настройка uplinkfast может быть выполнена, даже если коммутатор настроен для MST (RSTP), но действовать она будет только тогда, когда коммутатор находится в режиме PVST. Включение uplinkfast повышает приоритет на 3000. Пути стоимостью менее 3000 при включении uplinkfast получают дополнительно 3000. Это сокращает для коммутатора возможность стать корневым коммутатором.

При обнаружении ошибки корневого порта uplinkfast незамедлительно переключается на альтернативный корневой порт и изменяет состояние нового корневого порта непосредственно на переадресацию. Для таких событий выполняется отправка TCN.

После переключения на альтернативный порт (новый конечной порт) uplinkfast выполняет многоадресную рассылку на новый корневой порт пустых кадров от имени каждого присоединенного устройства, чтобы остальные устройства в сети знали, как использовать второстепенное соединения для доступа к этому устройству.

Использование PVRSTP подразумевает поддержку backbonefast и uplinkfast. Включение или выключение этих функций в настроенном на PVRSTP коммутаторе не предусмотрено.

**Значение по умолчанию:** 150  
**Формат:** spanning-tree uplinkfast [max-update-rate *packets*]  
**Режим ввода команд:** глобальная конфигурация

### ***no spanning-tree uplinkfast***

Данная команда выключает uplinkfast в настроенных на PVRSTP коммутаторах. При этом все значения приоритетов коммутатора и стоимости пути, которые не изменялись относительно настроек по умолчанию, устанавливаются в значения по умолчанию.

**Формат:** no spanning-tree uplinkfast [max-update-rate]  
**Режим ввода команд:** глобальная конфигурация

### ***spanning-tree vlan***

Данная команда используется для включения или выключения остовного дерева в сети VLAN.

**Значение по умолчанию:** отсутствует  
**Формат:** spanning-tree vlan *vlan-list*  
**Режим ввода команд:** глобальная конфигурация

Параметр	Описание
vlan list	Сети VLAN, к которым будет применена команда,

### **spanning-tree vlan cost**

Команда назначает стоимость пути для порта в сети VLAN. Допустимые значения — от 1 до 200000000 или auto. При выборе значения auto стоимость пути устанавливается на основании скорости соединения.

**Значение по умолчанию:** отсутствует

**Формат:** spanning-tree vlan vlan-id cost {auto |1-200000000}

**Режим ввода команд:** конфигурирование интерфейса

### **spanning-tree vlan forward-time**

Команда используется для настройки времени задержки переадресации остоного дерева для одной или нескольких сетей VLAN. Значение по умолчанию — 15 секунд.

Установите меньшее значение, чтобы ускорить переход к переадресации. При настройке данного параметра сетевой оператор должен учитывать совокупную задержку распространения BPDU, максимальное время жизни кадра, максимальную задержку передачи и предельное значение для времени жизни сообщения для конкретной сети.

**Значение по умолчанию:** 15 секунд

**Формат:** spanning-tree vlan vlan-list forward-time 4-30

**Режим ввода команд:** глобальная конфигурация

Параметр	Описание
vlan list	Сети VLAN, к которым будет применена команда,
forward-time	Задержка переадресации остоного дерева от 4 до 30 секунд.

### **spanning-tree vlan hello-time**

Данная команда используется для настройки периода «hello» остоного дерева для одной или нескольких сетей VLAN. Значение по умолчанию — 2 секунды. Установите меньшее значение, чтобы ускорить обнаружение изменений топологии.

**Значение по умолчанию:** 2 секунды

**Формат:** spanning-tree vlan vlan-list hello-time 1-10

**Режим ввода команд:** глобальная конфигурация

Параметр	Описание
vlan-list	Сети VLAN, к которым будет применена команда,
hello-time	Задержка переадресации остоного дерева от 1 до 10 секунд.

### **spanning-tree vlan max-age**

Используйте данную команду для конфигурации максимального срока жизни остоного дерева для одной или нескольких сетей VLAN. Значение по умолчанию — 20 секунд.

Установите меньшее значение, чтобы ускорить обнаружение изменений топологии. При настройке данного параметра сетевой оператор должен учитывать совокупную задержку распространения BPDU и предельное значение для времени жизни сообщения для топологии конкретной сети.

Настройка по умолчанию составляет 20 секунд и подходит для соединения диаметром 7 с величиной потерянных сообщений 3, задержкой передачи 1, периодом «hello» 2 сек, переоценкой на мост 1 сек и задержкой BPDU 1 сек. Для соединения диаметром 4 приемлема настройка 16 секунд, если все остальные значения времени используются в значениях по умолчанию.

**Значение по умолчанию:** 20 секунд  
**Формат:** spanning-tree vlan *vlan-list* max-age 6-40  
**Режим ввода команд:** глобальная конфигурация

<i>Параметр</i>	<i>Описание</i>
vlan-list	Сети VLAN, к которым будет применена команда,
hello-time	Задержка переадресации остовного дерева от 1 до 10 секунд.

### **spanning-tree vlan root**

Используйте данную команду для настройки коммутатора в качестве корневого моста или резервного корневого моста за счет изменения приоритета моста со значения по умолчанию (32768) на меньшее значение, соответствующее роли корневого (или резервного) моста.

Логика выполнения команды обеспечивает настройку приоритета моста в минимальное (для основного моста) или соседнее с минимальным значение (для резервного моста) для данной сети VLAN или диапазона VLAN.

**Значение по умолчанию:** 32768  
**Формат:** spanning-tree vlan *vlan-list* root {primary|secondary}  
**Режим ввода команд:** глобальная конфигурация

<i>Параметр</i>	<i>Описание</i>
vlan-list	Сети VLAN, к которым будет применена команда,

### **spanning-tree vlan port-priority**

Команда используется для изменения значения приоритета порта в рамках сети VLAN, чтобы позволить оператору выбирать относительную значимость порта VLAN в процессе выбора переадресации, если порт настроен на двухточечный тип соединения. Чтобы данный порт был предпочтительным для переадресации кадров, нужно установить меньшее значение.

**Значение по умолчанию:** отсутствует  
**Формат:** spanning-tree vlan *vlan-id* port-priority *priority*  
**Режим ввода команд:** конфигурирование интерфейса

<i>Параметр</i>	<i>Описание</i>
vlan-list	Сети VLAN, к которым будет применена команда,
priority	Приоритет порта VLAN. Диапазон значений: 0-255.

### *spanning-tree vlan priority*

Используйте данную команду для настройки приоритета моста в рамках VLAN. Значение по умолчанию — 32768.

Если выбранное значение не является одним из установленных значений, оно будет округлено до ближайшего действительного значения.

**Значение по умолчанию:** 32768

**Формат:** `spanning-tree vlan vlan-list priority priority`

**Режим ввода команд:** глобальная конфигурация

<i>Параметр</i>	<i>Описание</i>
<b>vlan-list</b>	Сети VLAN, к которым будет применена команда,
<b>priority</b>	Приоритет моста VLAN. Действительные значения: 0, 4096, 8192, 12288, 16384, 20480, 24576, 28672, 32768, 36864, 40960, 45056, 49152, 53248, 57344 и 61440

### *show spanning-tree*

Данная команда отображает настройки остоного дерева для CIST. Выводятся следующие подробности.

**Формат:** `show spanning-tree`

**Режим ввода команд:** привилегированный  
пользовательский

<i>Параметр</i>	<i>Описание</i>
<b>Bridge Priority</b>	Определяет приоритет моста для Common and Internal Spanning Tree (CIST). Величина в целых числах между 0 и 61440. Приоритет порта отображается в цифрах, кратных 4096.
<b>Bridge Identifier</b>	Идентификатор моста для CIST. Составлен из приоритета моста и основного MAC-адреса моста.
<b>Time Since Topology Change</b>	Время в секундах.
<b>Topology Change Count</b>	Счетчик количества изменений.
<b>Topology Change in Progress</b>	Логическое значение параметра изменения топологии для коммутатора, показывающее, есть ли в данный момент незавершенные изменения топологии на каком-либо порте, связанном с данным CIST.
<b>Designated Root</b>	Идентификатор корневого моста. Состоит из приоритета моста и основного MAC-адреса моста.
<b>Root Path Cost</b>	Параметр, указывающий значение стоимости корневого пути для CIST.
<b>Root Port Identifier</b>	Идентификатор порта для получения доступа к назначенному корню CIST.
<b>Bridge Max Age</b>	Выведенное значение.
<b>Bridge Max Hops</b>	Счетчик максимального количества хопов моста для устройства.
<b>Root Port Bridge Forward Delay</b>	Выведенное значение.

<b>Hello Time</b>	Настроенное значение параметра для CIST.
<b>Bridge Hold Time</b>	Минимальное время между передачей конфигурационных Bridge Protocol Data Units (BPDU).
<b>CST Regional Root</b>	Идентификатор моста для регионального корня CIST. Составлен из приоритета моста и основного MAC-адреса моста.
<b>Regional Root Path Cost</b>	Стоимость пути для регионального корня CIST.
<b>Associated FIDs</b>	Список идентификаторов таблиц коммутации, связанных на данный момент с этим экземпляром.
<b>Associated VLANs</b>	Список идентификаторов сетей VLAN, связанных на данный момент с этим экземпляром.

### ***show spanning-tree active***

Используйте эту команду для отображения значений остовного дерева на активных портах для соответствующих режимов (xSTP и PV(R)STP).

**Формат:** `show spanning-tree active`

**Режим ввода команд:** привилегированный  
пользовательский

### ***show spanning-tree backbonefast***

Данная команда отображает информацию остовного дерева для backbonefast.

**Формат:** `show spanning-tree backbonefast`

**Режим ввода команд:** привилегированный  
пользовательский

<i>Параметр</i>	<i>Описание</i>
<b>Transitions via Backbonefast</b>	Количество переходов backbonefast.
<b>Inferior BPDUs received (all VLANs)</b>	Количество сбойных BPDU, полученных по всем VLAN.
<b>RLQ request PDUs received (all VLANs)</b>	Количество PDU с запросами Root Link Query (RLQ), полученных по всем VLAN.
<b>RLQ response PDUs received (all VLANs)</b>	Количество PDU с ответами RLQ, полученных по всем VLAN.
<b>RLQ request PDUs sent (all VLANs)</b>	Количество PDU с запросами RLQ, отправленных по всем VLAN.
<b>RLQ response PDUs sent (all VLANs)</b>	Количество PDU с ответами RLQ, отправленных по всем VLAN.

### ***show spanning-tree brief***

Команда для отображения настроек остовного дерева для моста. Отображается следующая информация.

**Формат:** `show spanning-tree brief`

**Режим ввода команд:** привилегированный  
пользовательский

<i>Параметр</i>	<i>Описание</i>
Bridge Priority	Настраиваемое значение.
Bridge Identifier	Идентификатор моста для выбранного экземпляра MST. Составлен из приоритета моста и основного MAC-адреса моста.
Bridge Max Age	Настраиваемое значение.
Bridge Max Hops	Счетчик максимального количества хопов моста для устройства.
Bridge Hello Time	Настраиваемое значение.
Bridge Forward Delay	Настраиваемое значение.
Bridge Hold Time	Минимальное время между передачей конфигурационных Bridge Protocol Data Units (BPDU).

### ***show spanning-tree interface***

Данная команда отображает настройки и параметры для определенного порта коммутатора в рамках CIST. Параметр *unit/slot/port* определяет нужный порт коммутатора. Вместо параметра *unit/slot/port* можно использовать *lag lag-intf-num* как альтернативный вариант определения LAG-интерфейса. Параметр *lag lag-intf-num* также можно использовать для определения конкретного LAG-интерфейса, при этом значение *lag-intf-num* должно указывать номер порта LAG. В результате выполнения команды отображаются следующие данные:

**Формат:** `show spanning-tree interface unit/slot/port|lag lag-intf-num`

**Режим ввода команд:** привилегированный  
пользовательский

<i>Параметр</i>	<i>Описание</i>
Hello Time	Административный период «hello» для данного порта
Port Mode	Включен или выключен.
BPDU Guard Effect	Включен или выключен.
Root Guard	Включен или выключен.
Loop Guard	Включен или выключен.
TCN Guard	Включено или выключено распространение полученных уведомлений об изменениях топологии и топологических изменений на другие порты.
BPDU Filter Mode	Включен или выключен.
BPDU Flood Mode	Включен или выключен.
Auto Edge	Включена или выключена функция, под действием которой порт, не получивший ни одного BPDU за настроенный период <b>edge delay</b> , становится периферийным портом и быстрее переходит в режим переадресации.
Port Up Time Since Counters Last Cleared	Время с последней перезагрузки порта, отображается в днях, часах, минутах и секундах.
STP BPDUs Transmitted	Отправленные BPDU для STP-протокола
STP BPDUs Received	Полученные BPDU для STP-протокола.
RSTP BPDUs Transmitted	Отправленные BPDU для RSTP-протокола.

<b>RSTP BPDUs Received</b>	Полученные BPDU для RSTP-протокола.
<b>MSTP BPDUs Transmitted</b>	Отправленные BPDU для MSTP-протокола.
<b>MSTP BPDUs Received</b>	Полученные BPDU для MSTP-протокола.

### **show spanning-tree mst detailed**

Данная команда отображает подробные настройки экземпляра MST.

**Формат:** `show spanning-tree mst detailed mstid`

**Режим ввода команд:** привилегированный  
пользовательский

<b>Параметр</b>	<b>Описание</b>
<b>mstid</b>	Идентификатор экземпляра MST. Диапазон значений: от 0 до 4094.

### **show spanning-tree mst port detailed**

Данная команда отображает подробные настройки и параметры для определенного порта коммутатора в рамках конкретного экземпляра MST. Параметр *mstid* представляет собой число, которое соответствует идентификатору соответствующего экземпляра MST. Параметр *unit/slot/port* определяет нужный порт коммутатора. Вместо параметра *unit/slot/port* можно использовать *lag lag-intf-num* как альтернативный вариант определения LAG-интерфейса. Параметр *lag lag-intf-num* также можно использовать для определения конкретного LAG-интерфейса, при этом значение *lag-intf-num* должно указывать номер порта LAG.

**Формат:** `show spanning-tree mst port detailed mstid  
unit/slot/port|lag lag-intf-num`

**Режим ввода команд:** привилегированный  
пользовательский

<b>Параметр</b>	<b>Описание</b>
<b>MST Instance ID</b>	Идентификатор существующего экземпляра MST. Диапазон значений: от 0 до 4094.
<b>Port Identifier</b>	Идентификатор выбранного порта в рамках выбранного экземпляра MST. Состоит из приоритета порта и номера интерфейса порта.
<b>Port Priority</b>	Приоритет для определенного порта в рамках выбранного экземпляра MST. Приоритет порта выражается в числах, кратных 16.
<b>Port Forwarding State</b>	Текущий статус остоного дерева данного порта.
<b>Port Role</b>	Каждый включенный порт моста MST получает роль порта для каждого остоного дерева. Возможны следующие значения для роли порта: Root Port, Designated Port, Alternate Port, Backup Port, Master Port или Disabled Port
<b>Auto-Calculate Port Path Cost</b>	Показывает, включено ли автоматическое вычисление стоимости пути для порта.
<b>Port Path Cost</b>	Настраиваемая величина параметра стоимости пути внутреннего порта.

<b>Designated Root</b>	Идентификатор назначенного корня для данного порта.
<b>Root Path Cost</b>	Стоимость пути до корневого моста для данного экземпляра. Если данный мост является корневым для данного экземпляра, стоимость пути будет равна нулю.
<b>Designated Bridge</b>	Идентификатор для моста с назначенным портом.
<b>Designated Port Identifier</b>	Порт назначенного моста, который предлагает наименьшую стоимость пути для LAN.
<b>Loop Inconsistent State</b>	Непостоянное состояние текущей петли данного порта в экземпляре MST. При непостоянном состоянии петли порт не может получить BPDU, если в настройках включена функция loop guard. Непостоянное состояние петли поддерживает порт в состоянии блокировки, пока не получен следующий BPDU.
<b>Transitions Into Loop Inconsistent State</b>	Счетчик переходов интерфейса в непостоянное состояние петли.
<b>Transitions Out of Loop Inconsistent State</b>	Счетчик выхода интерфейса из непостоянного состояния петли.

Если параметр *mstid* задан как 0 (идентификатор CIST по умолчанию), данная команда отображает настройки и параметры для конкретного порта коммутатора в рамках CIST. Параметр *unit/slot/port* определяет нужный порт коммутатора. В данном случае отображается следующее.

<b>Параметр</b>	<b>Описание</b>
<b>Port Identifier</b>	Идентификатор данного порта в рамках CIST.
<b>Port Priority</b>	Приоритет порта в рамках CIST.
<b>Port Forwarding State</b>	Состояние переадресации данного порта в рамках CIST.
<b>Port Role</b>	Роль данного интерфейса в рамках CIST.
<b>Auto-Calculate Port Path Cost</b>	Показывает, включено или выключено автоматическое вычисление стоимости пути для порта.
<b>Port Path Cost</b>	Настроенная стоимость пути для данного интерфейса.
<b>Auto-Calculate External Port Path Cost</b>	Показывает, включено ли автоматическое вычисление стоимости внешнего пути для порта.
<b>External Port Path Cost</b>	Стоимость пути до корневого моста CIST через границы региона. В случае если порт является граничным портом для региона MSTP, используется стоимость внешнего пути.
<b>Designated Root</b>	Идентификатор назначенного корня для данного порта в рамках CIST.
<b>Root Path Cost</b>	Стоимость корневого пути к LAN для данного порта.
<b>Designated Bridge</b>	Мост, содержащий назначенный порт.
<b>Designated Port Identifier</b>	Порт назначенного моста, который предлагает наименьшую стоимость пути для LAN.
<b>Topology Change Acknowledgment</b>	Значение флага при передаче следующего конфигурационного BPDU, показывающее, происходит ли в данный момент изменение топологии для данного порта.



<b>Hello Time</b>	Период «hello», используемый для данного порта.
<b>Edge Port</b>	Настроенное значение, показывающее, является ли данный порт периферийным портом.
<b>Edge Port Status</b>	Выведенное значение состояния периферийного порта. Если данный порт работает как периферийный, значение — true, если нет — false.
<b>Point To Point MAC Status</b>	Выведенное значение, которое показывает, является ли данный порт частью двухточечного соединения.
<b>CST Regional Root</b>	Идентификатор регионального корня для данного порта.
<b>CST Internal Root Path Cost</b>	Стоимость внутреннего корневого пути к LAN для назначенного внешнего порта.
<b>Loop Inconsistent State</b>	Непостоянное состояние текущей петли данного порта в экземпляре MST. При непостоянном состоянии петли порт не может получить BPDU, если в настройках включена функция loop guard. Непостоянное состояние петли поддерживает порт в состоянии блокировки, пока не получен следующий BPDU.
<b>Transitions Into Loop Inconsistent State</b>	Счетчик переходов интерфейса в непостоянное состояние петли.
<b>Transitions Out of Loop Inconsistent State</b>	Счетчик выхода интерфейса из непостоянного состояния петли.

### **show spanning-tree mst port summary**

Данная команда отображает настройки одного или всех портов в рамках определенного экземпляра MST. Параметр *mstid* определяет экземпляр MST. Параметр *{unit/slot/port/all}* определяет нужный порт коммутатора порта или все порты. Вместо параметра *unit/slot/port* можно использовать *lag lag-intf-num* как альтернативный вариант определения LAG-интерфейса. Параметр *lag lag-intf-num* также можно использовать для определения конкретного LAG-интерфейса, при этом значение *lag-intf-num* должно указывать номер порта LAG.

Если параметр *mstid* задан как 0 (идентификатор CIST по умолчанию), отображается сводное состояние для одного или всех портов в рамках CIST.

**Формат:** `show spanning-tree mst port summary mstid {unit/slot/port |lag lag-intf-num| all}`

**Режим ввода команд:** привилегированный  
пользовательский

<b>Параметр</b>	<b>Описание</b>
<b>MST Instance ID</b>	Экземпляр MST, связанный с данным портом.
<b>Interface</b>	Интерфейс в формате unit/slot/port.
<b>STP Mode</b>	Определяет состояние остоного дерева на данном порте (включено или выключено).
<b>Type</b>	В настоящий момент не используется.
<b>STP State</b>	Состояние переадресации порта в данном экземпляре остоного дерева.
<b>Port Role</b>	Роль определенного порта в рамках остоного дерева.

<b>Desc</b>	Определяет, находится ли порт в непостоянном состоянии петли. Если функция loop guard не доступна, это поле остается пустым.
-------------	--

### ***show spanning-tree mst port summary active***

Эта команда отображает настройки для портов, представляющих собой активные соединения, в рамках определенного экземпляра MST.

**Формат:** `show spanning-tree mst port summary mstid active`

**Режим ввода команд:** привилегированный  
пользовательский

<i>Параметр</i>	<i>Описание</i>
<b>MST Instance ID</b>	Экземпляр MST, связанный с данным портом.
<b>Interface</b>	Интерфейс в формате unit/slot/port.
<b>STP Mode</b>	Определяет состояние основного дерева на данном порте (включено или выключено).
<b>Type</b>	В настоящий момент не используется.
<b>STP State</b>	Состояние переадресации порта в данном экземпляре остовного дерева.
<b>Port Role</b>	Роль определенного порта в рамках остовного дерева.
<b>Desc</b>	Определяет, находится ли порт в непостоянном состоянии петли. Если функция loop guard не доступна, это поле остается пустым.

### ***show spanning-tree mst summary***

Данная команда отображает сводные данные обо всех экземплярах MST в коммутаторе. По итогам выполнения команды отображается следующее.

**Формат:** `show spanning-tree mst summary`

**Режим ввода команд:** привилегированный  
пользовательский

<i>Параметр</i>	<i>Описание</i>
<b>MST Instance ID List</b>	Список идентификаторов MST, настроенных на данный момент.
<b>For each MSTID:</b> <ul style="list-style-type: none"> <li>• Associated FIDs</li> <li>• Associated VLANs</li> </ul>	<ul style="list-style-type: none"> <li>• Список идентификаторов таблиц коммутации, связанных с этим экземпляром.</li> <li>• Список идентификаторов сетей VLAN, связанных с этим экземпляром</li> </ul>

### ***show spanning-tree summary***

Эта команда отображает настройки и параметры остовного дерева для коммутатора. В результате выполнения команды отображаются следующие данные:

**Формат:** `show spanning-tree summary`

**Режим ввода команд:** привилегированный  
пользовательский

<i>Параметр</i>	<i>Описание</i>
<b>Spanning Tree Adminmode</b>	Включено или выключено.
<b>Spanning Tree Version</b>	В настоящее время поддерживается версия 802.1 (IEEE 802.1s, IEEE 802.1w или IEEE 802.1d), основанная на параметре Force Protocol Version (FPV).
<b>BPDU Guard Mode</b>	Включен или выключен.
<b>BPDU Filter Mode</b>	Включен или выключен.
<b>Configuration Name</b>	Идентификатор, используемый для определения текущей конфигурации.
<b>Configuration Revision Level</b>	Идентификатор, используемый для определения текущей конфигурации.
<b>Configuration Digest Key</b>	Сгенерированный ключ, используемый при обмене BPDU.
<b>Configuration Format Selector</b>	Определяет версию формата конфигурации, используемой при обмене BPDU. Значение по умолчанию — ноль.
<b>MST Instances</b>	Список всех экземпляров MST, настроенных на коммутаторе.

### ***show spanning-tree uplinkfast***

Данная команда отображает информацию остовного дерева для uplinkfast.

**Формат:** `show spanning-tree uplinkfast`

**Режим ввода команд:** привилегированный  
пользовательский

<i>Параметр</i>	<i>Описание</i>
<b>Uplinkfast transitions (all VLANs)</b>	Список идентификаторов MST, настроенных на данный момент.
<b>Proxy multicast addresses transmitted (all VLANs)</b>	Количество групповых прокси-адресов, переданных на все VLAN.

### ***show spanning-tree vlan***

Команда отображает информацию остовного дерева по каждой VLAN, а также список ролей и состояний порта с соответствующей стоимостью порта. Параметр *vlan-list* представляет собой список сетей VLAN, перечисленных через запятую без пробелов, либо диапазон VLAN. Диапазон сетей VLAN задается в виде X-Y, где X и Y являются действительными идентификаторами VLAN, при этом X<Y.

Параметр *vlanid* соответствует существующему идентификатору VLAN.

**Формат:** `show spanning-tree vlan {vlanid | vlan-list}`

**Режим ввода команд:** привилегированный  
Пользовательский

### ***spanning-tree mac-address dot1d***

Команда устанавливает режим обработки Bridge PDU на основании их MAC адреса назначения и позволяет использовать протокол STP с мостами, работающими по стандарту 802.1ad (Provider Bridges). Изменяет MAC-адрес, с которым отправляются и принимаются BPDU на 01-80-C2-00-00-00. Входящие BPDU с адресом, не соответствующим режиму, отбрасываются.

<b>Значение по умолчанию</b>	Включено
<b>Формат</b>	spanning-tree mac-address dot1d
<b>Режим ввода команды</b>	Режим конфигурации интерфейса

### ***no spanning-tree mac-address***

Отключить режим обработки Bridge PDU на основании их MAC адреса назначения.

<b>Формат</b>	no spanning-tree mac-address
<b>Режим ввода команд</b>	Режим конфигурации интерфейса

### ***spanning-tree mac-address dot1ad***

Изменяет MAC-адрес, с которым отправляются и принимаются BPDU на 01-80-C2-00-00-08. В режиме dot1ad обрабатываются и передаются фреймы с Provider Bridge Group Address. Входящие BPDU с адресом, не соответствующим режиму, отбрасываются.

<b>Значение по умолчанию</b>	Выключено
<b>Формат</b>	spanning-tree mac-address dot1ad
<b>Режим ввода команды</b>	Режим конфигурации интерфейса

### ***no spanning-tree mac-address***

Отключить режим обработки Bridge PDU на основании их MAC адреса назначения.

<b>Формат</b>	no spanning-tree mac-address
<b>Режим ввода команд</b>	Режим конфигурации интерфейса

### ***spanning-tree mac-address auto***

Изменяет MAC-адрес, с которым принимаются BPDU на 01-80-C2-00-00-08, на прочих изменяет MAC-адрес на 01-80-C2-00-00-00.

<b>Значение по умолчанию</b>	Выключено
<b>Формат</b>	spanning-tree mac-address auto
<b>Режим ввода команды</b>	Режим конфигурации интерфейса

### ***no spanning-tree mac-address***

Отключить режим обработки Bridge PDU на основании их MAC адреса назначения.

<b>Формат</b>	no spanning-tree mac-address
<b>Режим ввода команд</b>	Режим конфигурации интерфейса

### 8.3 Команды настройки защиты от петель

В этой части описаны команды, которые используются для настройки защиты от петель. Защита от петель определяет физические и локальные петли между Ethernet-портами в устройстве. Перед включением на уровне интерфейса защита от петель должна быть включена глобально.

#### ***keepalive (режим глобальной конфигурации)***

Данная команда включает защиту от петель на уровне системы.

**Значение по умолчанию:** выключено  
**Формат:** keepalive  
**Режим ввода команд:** глобальная конфигурация

#### *no keepalive*

Эта команда выключает защиту от петель на уровне системы. Команда также устанавливает интервал передачи и число повторных попыток в значение по умолчанию.

**Формат:** no keepalive  
**Режим ввода команд:** глобальная конфигурация

#### ***keepalive (режим конфигурирования интерфейса)***

Данная команда включает функцию keepalive для определенного интерфейса.

**Значение по умолчанию:** отсутствует  
**Формат:** keepalive  
**Режим ввода команд:** конфигурирование интерфейса

#### *no keepalive*

Эта команда выключает функцию keepalive для определенного интерфейса.

**Формат:** keepalive  
**Режим ввода команд:** конфигурирование интерфейса

#### ***keepalive action***

Эта команда настраивает действие, которое должно выполняться на порте при обнаружении петли.

**Значение по умолчанию:** выключено.  
**Формат:** keepalive receive-action {log|disable|both}  
**Режим ввода команд:** конфигурирование интерфейса

<i>Параметр</i>	<i>Описание</i>
<i>log</i>	Только запись сообщения. В режиме log выполняется только запись сообщения в журнал буфера, работа порта не прекращается.
<i>disable</i>	Прекращение работы порта. Это значение используется по умолчанию.

<i>both</i>	Запись сообщения и выключение порта.
-------------	--------------------------------------

### *no keepalive action*

Данная команда возвращает значение по умолчанию (выключение порта) для действия, выполняемого при обнаружении петли.

**Формат:** `no keepalive action`  
**Режим ввода команд:** конфигурирование интерфейса

### ***keepalive disable-timer***

Данная команда настраивает время (в секундах), на которое порт прекращает работу при обнаружении петли. Значение по умолчанию — ноль, т. е. повторное включение порта выполняется вручную.

**Значение по умолчанию:** 0  
**Формат:** `keep-alive disable-timer value`  
**Режим ввода команд:** глобальная конфигурация

<i>Параметр</i>	<i>Описание</i>
<i>log</i>	Только запись сообщения. В режиме log выполняется только запись сообщения в журнал буфера, работа порта не прекращается.
<i>disable</i>	Прекращение работы порта. Это значение используется по умолчанию.
<i>both</i>	Запись сообщения и выключение порта.

### *no keepalive action*

Данная команда возвращает значение по умолчанию (выключение порта) для действия, выполняемого при обнаружении петли.

**Формат:** `no keepalive action`  
**Режим ввода команд:** конфигурирование интерфейса

### ***keepalive disable-timer***

Данная команда настраивает время (в секундах), на которое порт прекращает работу при обнаружении петли. Значение по умолчанию — ноль, т. е. повторное включение порта выполняется вручную.

**Значение по умолчанию:** 0  
**Формат:** `keep-alive disable-timer value`  
**Режим ввода команд:** глобальная конфигурация

### ***keepalive retry***

Данная команда настраивает время в секундах между передачей пакетов keepalive. Retry — дополнительный параметр, который задает количество пакетов keepalive, после получения которого коммутатором интерфейс будет выключен.

**Значение по умолчанию:** 5  
**Формат:** keepalive val [retry]  
**Режим ввода команд:** глобальная конфигурация

<i>Параметр</i>	<i>Описание</i>
<i>val</i>	Время (в секундах) между передачей пакетов keepalive.
<i>retry</i>	Устанавливает количество пакетов keepalive, после получения которого коммутатором интерфейс будет выключен.

### ***show keepalive***

Команда для отображения глобальной конфигурации функции keepalive.

**Значение по умолчанию:** отсутствует  
**Формат:** show keepalive  
**Режим ввода команд:** привилегированный

### ***show keepalive statistics***

Данная команда отображает статистику keepalive для каждого порта или для определенного порта.

**Значение по умолчанию:** отсутствует  
**Формат:** show keepalive statistics {*port-num* | all }  
**Режим ввода команд:** привилегированный

<i>Параметр</i>	<i>Описание</i>
<i>port-num</i>	Номер порта, для которого нужно вывести статистику.
<i>all</i>	Отображает статистику для всех портов.

### ***clear counters keepalive***

Эта команда сбрасывает статистику keepalive, связанную с портами (например, количество отправленных пакетов, принятых пакетов и пакетов петли).

**Значение по умолчанию:** отсутствует  
**Формат:** clear counters keepalive  
**Режим ввода команд:** привилегированный

## **8.4 Команды настройки VLAN**

В этой части описаны команды, которые используются для настройки VLAN.

### ***vlan database***

Данная команда предоставляет доступ к режиму конфигурирования VLAN, который позволяет настраивать характеристики VLAN.

---

**Формат:** `vlan database`  
**Режим ввода команд:** привилегированный

### ***network mgmt\_vlan***

Команда настраивает идентификатор управляющей VLAN.

**Значение по умолчанию:** `1`  
**Формат:** `network mgmt_vlan 1-4093`  
**Режим ввода команд:** привилегированный

### ***no network mgmt\_vlan***

Данная команда устанавливает идентификатор управляющей VLAN в значение по умолчанию.

**Формат:** `no network mgmt_vlan`  
**Режим ввода команд:** привилегированный

### ***vlan***

Эта команда создает новую сеть VLAN и назначает ей идентификатор. ID — это действительный идентификационный номер (для VLAN по умолчанию зарезервирован ID 1). Диапазон идентификаторов VLAN — от 2 до 4094.

**Формат:** `vlan 2-4094`  
**Режим ввода команд:** конфигурирование VLAN

### ***no vlan***

Команда для удаления существующей VLAN. ID — это действительный идентификационный номер (для VLAN по умолчанию зарезервирован ID 1). Диапазон идентификаторов VLAN — от 2 до 4094.

**Формат:** `no vlan 2-4094`  
**Режим ввода команд:** конфигурирование VLAN

### ***vlan acceptframe***

Эта команда устанавливает режим принятия кадров на интерфейсе или диапазоне интерфейсов. В режиме VLAN Only нетегированные кадры и кадры приоритета на этом интерфейсе отбрасываются. В режиме Admit All нетегированные кадры и кадры приоритета на этом интерфейсе принимаются и связываются со значением идентификатора VLAN интерфейса для данного порта. В режиме `admituntaggedonly` на данном интерфейсе принимаются только нетегированные кадры, а тегированные — отбрасываются. В любом из вариантов тегированные кадры VLAN переадресуются в соответствии со спецификацией IEEE 802.1Q для VLAN.

**Значение по умолчанию:** `all`  
**Формат:** `vlan acceptframe {admituntaggedonly | vlanonly | all}`  
**Режим ввода команд:** конфигурирование интерфейса



### *no vlan acceptframe*

Данная команда возвращает режим принятия кадров на интерфейсе или диапазоне интерфейсов в значение по умолчанию.

**Формат:** `no vlan acceptframe`

**Режим ввода команд:** конфигурирование интерфейса

### *vlan ingressfilter*

Эта команда включает фильтрацию входящих пакетов на интерфейсе или диапазоне интерфейсов. Если фильтрация входящих пакетов выключена, при получении кадров, идентификатор VLAN у которых не соответствуют набору VLAN интерфейса принимающего устройства, выполняется прием и переадресация на порты, которые входят в состав нужной VLAN.

**Значение по умолчанию:** выключено

**Формат:** `vlan ingressfilter`

**Режим ввода команд:** конфигурирование интерфейса

### *no vlan ingressfilter*

Данная команда выключает фильтрацию входящих пакетов. Если фильтрация входящих пакетов выключена, при получении кадров, идентификатор VLAN у которых не соответствуют набору VLAN интерфейса принимающего устройства, выполняется прием и переадресация на порты, которые входят в состав нужной VLAN.

**Формат:** `no vlan ingressfilter`

**Режим ввода команд:** конфигурирование интерфейса

### *vlan internal allocation*

Команда, выполняющая настройку идентификаторов VLAN для использования с интерфейсами маршрутизации на основе портов. Когда интерфейс маршрутизации на основе порта создан, ему автоматически назначается неиспользуемый идентификатор VLAN.

**Формат:** `vlan internal allocation {base vlan-id | policy ascending | policy descending}`

**Режим ввода команд:** глобальная конфигурация

<i>Параметр</i>	<i>Описание</i>
<b>base <i>vlan-id</i></b>	Первый идентификатор VLAN, который будет назначен интерфейсу маршрутизации на основе порта.
<b>policy ascending</b>	Идентификаторы VLAN, назначаемые интерфейсам маршрутизации на основе портов, начинаются с первого и следуют в порядке увеличения.
<b>policy descending</b>	Идентификаторы VLAN, назначаемые интерфейсам маршрутизации на основе портов, начинаются с первого и следуют в порядке уменьшения.

### ***vlan makestatic***

Данная команда превращает динамически созданную VLAN (созданную при регистрации GVRP) в статичную VLAN (которая настраивается и определяется на постоянной основе). ID — действительный идентификационный номер VLAN. Диапазон идентификаторов VLAN — от 2 до 4094.

**Формат:** `vlan makestatic 2-4094`

**Режим ввода команд:** конфигурирование VLAN

### ***vlan name***

Эта команда изменяет имя VLAN. Имя состоит из буквенно-цифровых символов (максимум 32), а ID — это действительный идентификационный номер VLAN. Диапазон идентификаторов — от 1 до 4094.

**Значение по умолчанию:** VLAN ID 1 — значение по умолчанию  
другие VLAN — пустая строка

**Формат:** `vlan name 1-4094 name`

**Режим ввода команд:** конфигурирование VLAN

### ***no vlan name***

Эта команда устанавливает имя VLAN как пустую строку.

**Формат:** `no vlan name 1-4094`

**Режим ввода команд:** конфигурирование VLAN

### ***vlan participation***

Данная команда настраивает степень участия определенного интерфейса или диапазона интерфейсов в сети VLAN. ID — это действительный идентификационный номер VLAN; interface — это действительный номер интерфейса.

**Формат:** `vlan participation {exclude | include | auto} 1-4094`

**Режим ввода команд:** конфигурирование интерфейса

Возможные опции степени участия.

<b><i>Опции</i></b>	<b><i>Значение</i></b>
<b>include</b>	Интерфейс всегда входит в данную VLAN. Эквивалентно фиксированной регистрации.
<b>exclude</b>	Интерфейс никогда не входит в данную VLAN. Эквивалентно запрету регистрации.
<b>auto</b>	Интерфейс динамически регистрируется в данной VLAN с помощью GVRP и не входит в нее до тех пор, пока на интерфейс не поступит запрос на присоединение. Это эквивалентно нормальной регистрации.

### ***vlan participation all***

Эта команда настраивает степень участия всех интерфейсов в сети VLAN. ID — действительный идентификационный номер VLAN.

**Формат:** `vlan participation all {exclude | include | auto} 1-4094`

**Режим ввода команд:** глобальная конфигурация

Можно использовать следующие опции степени участия.

<i>Опции</i>	<i>Значение</i>
<b>include</b>	Интерфейс всегда входит в данную VLAN. Эквивалентно фиксированной регистрации.
<b>exclude</b>	Интерфейс никогда не входит в данную VLAN. Эквивалентно запрету регистрации.
<b>auto</b>	Интерфейс динамически регистрируется в данной VLAN с помощью GVRP. Интерфейс не входит в VLAN до тех пор, пока не поступит запрос на присоединение. Это эквивалентно нормальной регистрации.

### *vlan port acceptframe all*

Данная команда устанавливает режим принятия кадров для всех интерфейсов.

**Значение по умолчанию:** `all`

**Формат:** `vlan port acceptframe all {vlanonly | admituntaggedonly | all}`

**Режим ввода команд:** глобальная конфигурация

Варианты режимов приведены ниже.

<i>Режим</i>	<i>Значение</i>
<b>Режим VLAN Only</b>	Нетегированные кадры и кадры приоритета на этом интерфейсе отбрасываются.
<b>Режим Admit Untagged Only</b>	Тегированные VLAN кадры и кадры приоритета на этом интерфейсе отбрасываются.
<b>Режим Admit All</b>	Нетегированные кадры и кадры приоритета на этом интерфейсе принимаются и связываются со значением идентификатора VLAN интерфейса для данного порта.

В любом из режимов тегированные кадры VLAN переадресуются в соответствии со спецификацией IEEE 802.1Q для VLAN.

### *no vlan port acceptframe all*

Данная команда устанавливает режим принятия кадров для всех интерфейсов в значение Admit All. В режиме Admit All нетегированные кадры и кадры приоритета на этом интерфейсе принимаются и связываются со значением идентификатора VLAN интерфейса для данного порта. В любом из режимов тегированные кадры VLAN переадресуются в соответствии со спецификацией IEEE 802.1Q для VLAN.

**Формат:** `no vlan port acceptframe all`

**Режим ввода команд:** глобальная конфигурация

### ***vlan port ingressfilter all***

Эта команда включает фильтрацию входящих пакетов для всех портов. Если фильтрация входящих пакетов выключена, при получении кадров, идентификатор VLAN у которых не соответствуют набору VLAN интерфейса принимающего устройства, выполняется прием и переадресация на порты, которые входят в состав нужной VLAN.

**Значение по умолчанию:** выключено  
**Формат:** `vlan port ingressfilter all`  
**Режим ввода команд:** глобальная конфигурация

### ***no vlan port ingressfilter all***

Данная команда выключает фильтрацию входящих пакетов для всех портов. Если фильтрация входящих пакетов выключена, при получении кадров, идентификатор VLAN у которых не соответствуют набору VLAN интерфейса принимающего устройства, выполняется прием и переадресация на порты, которые входят в состав нужной VLAN.

**Формат:** `no vlan port ingressfilter all`  
**Режим ввода команд:** глобальная конфигурация

### ***vlan port pvid all***

Эта команда изменяет идентификатор VLAN для всех интерфейсов.

**Значение по умолчанию:** 1  
**Формат:** `vlan port pvid all 1-4094`  
**Режим ввода команд:** глобальная конфигурация

### ***no vlan port pvid all***

Эта команда устанавливает значение идентификатора VLAN для всех интерфейсов как 1.

**Формат:** `no vlan port pvid all`  
**Режим ввода команд:** глобальная конфигурация

### ***vlan port tagging all***

Данная команда включает настройку тегирования для всех интерфейсов в сети VLAN. Если тегирование включено, трафик передается в виде тегированных кадров. Если тегирование выключено, трафик передается в виде нетегированных кадров. ID — действительный идентификационный номер VLAN.

**Формат:** `vlan port tagging all 1-4094`  
**Режим ввода команд:** глобальная конфигурация

### *no vlan port tagging all*

Эта команда выключает настройку тегирования для всех интерфейсов в сети VLAN. Если тегирование выключено, трафик передается в виде нетегированных кадров. ID — действительный идентификационный номер VLAN.

**Формат:** `no vlan port tagging all`

**Режим ввода команд:** глобальная конфигурация

### ***vlan protocol group***

Эта команда добавляет в систему группы протоколов для классификации VLAN. *groupid* — это уникальный номер от 1 до 128, который используется как идентификатор группы в последующих командах.

**Формат:** `vlan protocol group groupid`

**Режим ввода команд:** глобальная конфигурация

### ***vlan protocol group name***

Эта команда назначает имена группам протоколов для классификации VLAN. Переменная *groupname* может быть строкой длиной от 0 до 16 символов.

**Формат:** `vlan protocol group name groupid groupname`

**Режим ввода команд:** глобальная конфигурация

### *no vlan protocol group name*

Эта команда удаляет имя группы, определенной параметром *groupid*.

**Формат:** `no vlan protocol group name groupid`

**Режим ввода команд:** глобальная конфигурация

### ***vlan protocol group add protocol***

Данная команда добавляет значение *protocol-list* к группе протоколов для классификации VLAN, определенной параметром *groupid*. С одной группой можно связать более одного протокола. Каждое сочетание интерфейса и протокола может быть связано только с одной группой. Если добавление протокола к группе вызывает конфликт с интерфейсами, которые в данный момент связаны с данной группой, данная команда завершается ошибкой и протокол к группе не добавляется. Возможные значения *protocol-list* включают ключевые слова *ip*, *arp*, и *ipx*, а также шестнадцатеричные и десятичные значения в диапазоне от 0x0600 (1536) до 0xFFFF (65535). В списке можно указать до 16 протоколов, разделенных запятой.

**Значение по умолчанию:** отсутствует

**Формат:** `vlan protocol group add protocol groupid ethertype protocol-list`

**Режим ввода команд:** глобальная конфигурация

### *no vlan protocol group add protocol*

Данная команда удаляет протоколы, определенные параметром *protocol-list*, из группы протоколов для классификации VLAN, которая определяется параметром *groupid*.

**Формат:** `no vlan protocol group add protocol groupid ethertype protocol-list`

**Режим ввода команд:** глобальная конфигурация

### *protocol group*

Эта команда присоединяет сеть *vlanid* к группе VLAN на основе протоколов, которая определяется параметром *groupid*. Группу можно связать за один раз только с одной VLAN, однако связанные VLAN можно изменять.

**Значение по умолчанию:** отсутствует

**Формат:** `protocol group groupid vlanid`

**Режим ввода команд:** конфигурирование VLAN

### *no protocol group*

Эта команда удаляет сеть *vlanid* из группы протоколов для классификации VLAN, которая определяется параметром *groupid*.

**Формат:** `no protocol group groupid vlanid`

**Режим ввода команд:** конфигурирование VLAN

### *protocol vlan group*

Данная команда добавляет физический интерфейс или диапазон интерфейсов к группе протоколов для классификации VLAN, которая определяется параметром *groupid*. К группе можно присоединять несколько интерфейсов, но каждое сочетание интерфейса и протокола может быть связано только с одной группой. Если добавление интерфейса к группе вызывает конфликт с протоколами, которые в данный момент связаны с данной группой, данная команда завершается ошибкой, и интерфейс к группе не добавляется.

**Значение по умолчанию:** отсутствует

**Формат:** `protocol vlan group groupid`

**Режим ввода команд:** конфигурирование интерфейса

### *no protocol vlan group*

Эта команда удаляет интерфейс из группы протоколов для классификации VLAN, которая определяется параметром *groupid*.

**Формат:** `no protocol vlan group groupid`

**Режим ввода команд:** конфигурирование интерфейса

### *protocol vlan group all*

Эта команда добавляет все физические интерфейсы к группе протоколов для классификации VLAN, которая определяется параметром *groupid*. К группе можно присоединять несколько интерфейсов, но каждое сочетание интерфейса и протокола может быть связано только с одной

группой. Если добавление интерфейса к группе вызывает конфликт с протоколами, которые в данный момент связаны с данной группой, данная команда завершается ошибкой, и интерфейс не будет добавлен к группе.

**Значение по умолчанию:** отсутствует  
**Формат:** protocol vlan group all *groupid*  
**Режим ввода команд:** глобальная конфигурация

*no protocol vlan group all*

Эта команда удаляет все интерфейсы из группы протоколов для классификации VLAN, которая определяется параметром *groupid*.

**Формат:** no protocol vlan group all *groupid*  
**Режим ввода команд:** глобальная конфигурация

### ***show port protocol***

Данная команда отображает информацию о группе протоколов для классификации VLAN для всей системы или для указанной группы.

**Формат:** show port protocol {*groupid* | all}  
**Режим ввода команд:** привилегированный

<b><i>Термин</i></b>	<b><i>Описание</i></b>
<b>Group Name</b>	Имя группы в записи таблицы протоколов для классификации VLAN.
<b>Group ID</b>	Идентификатор группы на основе протоколов.
<b>VLAN</b>	VLAN, связанная с группой на основе протоколов.
<b>Protocol(s)</b>	Тип протокола/протоколов для данной группы.
<b>Interface(s)</b>	Перечисляет интерфейсы, связанные с данной группой на основе протоколов, в формате unit/slot/port.

### ***vlan pvid***

Данная команда меняет идентификатор VLAN на интерфейсе или диапазоне интерфейсов.

**Значение по умолчанию:** 1  
**Формат:** vlan pvid 1-4094  
**Режим ввода команд:** конфигурирование интерфейса конфигурирование диапазона интерфейсов

*no vlan pvid*

Эта команда устанавливает идентификатор VLAN на интерфейсе или диапазоне интерфейсов в значение 1.

**Формат:** no vlan pvid  
**Режим ввода команд:** конфигурирование интерфейса

### ***vlan tagging***

Данная команда включает настройку тегирования для указанного интерфейса или диапазона интерфейсов VLAN. Если тегирование включено, трафик передается в виде тегированных кадров. Если тегирование выключено, трафик передается в виде нетегированных кадров. ID — действительный идентификационный номер VLAN.

**Формат:** `vlan tagging 1-4094`  
**Режим ввода команд:** конфигурирование интерфейса

### ***no vlan tagging***

Данная команда выключает тегирование для указанного интерфейса или диапазона интерфейсов VLAN. Если тегирование включено, трафик передается в виде нетегированных кадров. ID — действительный идентификационный номер VLAN.

**Формат:** `no vlan tagging 1-4094`  
**Режим ввода команд:** конфигурирование интерфейса

### ***vlan association subnet***

Эта команда связывает VLAN с указанной IP-подсетью.

**Формат:** `vlan association subnet ipaddr netmask vlanid`  
**Режим ввода команд:** конфигурирование VLAN

### ***no vlan association subnet***

Эта команда разрывает связь VLAN с указанной IP-подсетью.

**Формат:** `no vlan association subnet ipaddr netmask`  
**Режим ввода команд:** конфигурирование VLAN

### ***vlan association mac***

Эта команда связывает сеть VLAN с определенным MAC-адресом.

**Формат:** `vlan association mac macaddr vlanid`  
**Режим ввода команд:** VLAN database

### ***no vlan association mac***

Данная команда разрывает связь VLAN с определенным MAC-адресом.

**Формат:** `no vlan association mac macaddr`  
**Режим ввода команд:** таблица VLAN

### ***remote-span***

Эта команда определяет VLAN как RSPAN VLAN.



**Значение по умолчанию:** отсутствует  
**Формат:** remote-span  
**Режим ввода команд:** конфигурирование VLAN

*no remote-span*

Данная команда удаляет информацию RSPAN для VLAN.

**Формат:** no remote-span  
**Режим ввода команд:** конфигурирование VLAN

### **show vlan**

Команда отображает информацию о настроенных VLAN и Private VLAN, включая первичные и вторичные идентификаторы VLAN, типы (community, isolated или primary) и порты, которые относятся к Private VLAN.

**Формат:** show vlan {vlanid|private-vlan [type]}  
**Режим ввода команд:** привилегированный  
пользовательский

<i>Термин</i>	<i>Значение</i>
<b>Primary</b>	Первичный идентификатор VLAN. Диапазон идентификатора VLAN: 1–40934094.
<b>Secondary</b>	Вторичный идентификатор VLAN.
<b>Type</b>	Вторичный тип VLAN (community, isolated или primary).
<b>Ports</b>	Порты, связанные с Private VLAN.
<b>VLAN ID</b>	Идентификатор VLAN (VID), связанный с каждой VLAN. Диапазон идентификатора VLAN: 1–4094.
<b>VLAN Name</b>	Строка, связанная с этой VLAN для удобства наименования. Может содержать до 32 буквенно-цифровых символов, включая пробелы. Значение по умолчанию: пустая строка. VLAN ID 1 всегда имеет имя <b>Default</b> . Это необязательное поле.
<b>VLAN Type</b>	Тип VLAN, который может иметь значения Default (VLAN ID = 1), Static (настраивается и определяется на постоянной основе) или Dynamic. Динамический тип VLAN может быть создан регистрацией GVRP или во время процесса аутентификации 802.1X (DOT1X), если на данном коммутаторе не существует связанная с RADIUS VLAN.
<b>Interface</b>	Интерфейс в формате <i>unit/slot/port</i> . Можно настроить параметры для всех портов, используя селекторы в верхней строке.
<b>Current</b>	Степень участия этого порта в данной VLAN. Возможны следующие значения. <b>Include</b> — порт всегда входит в данную VLAN. Эквивалентно фиксированной регистрации согласно стандарту IEEE 802.1Q. <b>Exclude</b> — порт никогда не входит в данную VLAN.

	<p>Эквивалентно запрещенной регистрации согласно стандарту IEEE 802.1Q.</p> <p><b>Autodetect</b> — позволяет динамическую регистрацию порта в данной VLAN посредством GVRP. Порт не входит в VLAN до тех пор, пока на него не поступит запрос на присоединение. Эквивалентно нормальной регистрации согласно стандарту IEEE 802.1Q.</p>
<b>Configured</b>	<p>Настроенная степень участия порта в данной VLAN. Возможны следующие значения.</p> <p><b>Include</b> — порт всегда входит в данную VLAN. Эквивалентно фиксированной регистрации согласно стандарту IEEE 802.1Q.</p> <p><b>Exclude</b> — порт никогда не входит в данную VLAN. Эквивалентно запрещенной регистрации согласно стандарту IEEE 802.1Q.</p> <p><b>Autodetect</b> — позволяет динамическую регистрацию порта в данной VLAN посредством GVRP. Порт не входит в VLAN до тех пор, пока на него не поступит запрос на присоединение. Эквивалентно нормальной регистрации согласно стандарту IEEE 802.1Q.</p>
<b>Tagging</b>	<p>Настройки тегирования для порта в данной VLAN.</p> <p><b>Tagged</b> — передает трафик для данной VLAN в виде тегированных кадров.</p> <p><b>Untagged</b> — передает трафик для данной VLAN в виде нетегированных кадров.</p>

### **show vlan tag**

Показать конфигурацию для одного VLAN в кратком формате.

**Формат:** show vlan tag

**Режим ввода команд:** привилегированный  
пользовательский

### **show vlan internal usage**

Команда отображает информацию о привязке идентификаторов VLAN на коммутаторе.

**Формат:** show vlan internal usage

**Режим ввода команд:** привилегированный  
пользовательский

<b>Термин</b>	<b>Описание</b>
<b>Base VLAN ID</b>	Определяет базовый идентификатор VLAN для внутренней привязки сетей VLAN к интерфейсу маршрутизации.
<b>Allocation policy</b>	Показывает, в каком порядке система выделяет идентификаторы VLAN (в восходящем или в нисходящем).

### **show vlan brief**

Эта команда отображает список всех настроенных VLAN.

**Формат:** show vlan brief  
**Режим ввода команд:** привилегированный  
пользовательский

<i>Термин</i>	<i>Описание</i>
<b>VLAN ID</b>	Идентификатор VLAN (vlanid) для каждой VLAN. Диапазон идентификатора VLAN: 1–4094.
<b>VLAN Name</b>	Строка, связанная с этой VLAN для удобства наименования. Может содержать до 32 буквенно-цифровых символов, включая пробелы. Значение по умолчанию: пустая строка. VLAN ID 1 всегда имеет имя Default. Это необязательное поле.
<b>VLAN Type</b>	Тип VLAN, который может иметь значения Default (VLAN ID = 1), Static (настраивается и определяется на постоянной основе) или Dynamic (созданный регистрацией GVRP).

### *show vlan port*

Эта команда отображает информацию о конфигурации VLAN по портам.

**Формат:** show vlan port {unit/slot/port | all}  
**Режим ввода команд:** привилегированный  
пользовательский

<i>Термин</i>	<i>Значение</i>
<b>Interface</b>	unit/slot/port Можно настроить параметры для всех портов, используя селекторы в верхней строке.
<b>Port VLAN ID Configured</b>	Идентификатор VLAN, который порт будет назначать нетегированным кадрам или кадрам приоритета, полученным данным портом. Значение должно указывать на существующую VLAN. Значение по умолчанию: 1.
<b>Port VLAN ID Current</b>	Текущий идентификатор VLAN, который порт назначает нетегированным кадрам или кадрам приоритета, полученным данным портом. Значение по умолчанию: 1.
<b>Acceptable Frame Types</b>	Типы кадров, которые могут быть приняты этим портом. Возможные опции: VLAN only или Admit All. Если установлено VLAN only, нетегированные кадры и кадры приоритета, полученные данным портом, отбрасываются. Если установлено Admit All, нетегированные кадры и кадры приоритета, полученные данным портом, принимаются и связываются со значением идентификатора VLAN для данного порта. В любом из режимов тегированные кадры VLAN переадресуются в соответствии со спецификацией 802.1Q для VLAN.
<b>Ingress Filtering Configured</b>	Возможные значения: enabled или disabled. Если используется enabled, кадр отбрасывается, если данный порт не входит в VLAN, с которой связан кадр. Для тегированного кадра VLAN определяется значением идентификатора VLAN в теге. Для нетегиро-

	рованного кадра VLAN является идентификатором VLAN, указанным для порта, который получил этот кадр. Если используется disabled, все кадры передаются в соответствии со спецификацией моста VLAN 802.1Q. Заводская настройка: disabled.
<b>Ingress Filtering Current</b>	Показывает текущую настройку фильтрации входящих пакетов.
<b>GVRP</b>	Возможные значения: enabled или disabled.
<b>Default Priority</b>	Приоритет 802.1p, назначаемый тегированным пакетам, которые поступают на порт.
<b>Protected Port</b>	Указывает, является ли порт защищенным. Значение False — порт не защищен. Значение True — порт защищен.
<b>Switchport mode</b>	Текущий режим порта.
<b>Operating parameters</b>	Оперативные параметры для порта, включая VLAN, имя, правило исходящей передачи и тип.
<b>Static configuration</b>	Статичная конфигурация порта, включая VLAN, имя и правило.
<b>Forbidden VLANs</b>	Запрещенные настройки VLAN для данного порта, включая VLAN и имя.

### **show vlan association subnet**

Эта команда отображает VLAN, связанную с определенным настроенным IP-адресом и маской подсети. Если IP-адрес и маска подсети не настроены, отображаются связи VLAN со всеми IP-подсетями.

**Формат:** `show vlan association subnet [ipaddr netmask]`

**Режим ввода команд:** привилегированный

<i>Термин</i>	<i>Описание</i>
<b>IP Address</b>	IP-адрес, назначенный каждому интерфейсу.
<b>Net Mask</b>	Маска подсети.
<b>VLAN ID</b>	Идентификатор VLAN (VID).

### **show vlan association mac**

Эта команда отображает VLAN, связанную с определенным настроенным MAC-адресом. Если конкретный MAC-адрес не настроен, отображаются связи VLAN со всеми настроенными MAC-адресами.

**Формат:** `show vlan association mac [macaddr]`

**Режим ввода команд:** привилегированный

<i>Термин</i>	<i>Описание</i>
<b>MAC Address</b>	MAC-адрес, для которого коммутатор имеет данные о переадресации и/или фильтрации. В формате 6 или 8 двузначных номеров шестнадцатеричной системы, разделенных двоеточиями, например: 01:23:45:67:89:AB. В системе IVL MAC-адрес будет отображаться как 8 байт.

VLAN ID	Идентификатор VLAN (VID).
---------	---------------------------

## 8.5 Команды настройки Double VLAN

В этой части приводятся команды, используемые для настройки Double VLAN (DVLAN). Двойное тегирование трафика — это способ передать трафик VLAN от одного домена клиента к другому через городскую магистральную сеть простым и экономичным образом. Дополнительный тег трафика помогает отличать клиентов в городской сети, при этом сохраняя идентификацию VLAN индивидуальных клиентов, когда они входят в свой собственный домен IEEE 802.1Q.

### ***dvlan-tunnel ethertype (режим конфигурирования интерфейса)***



**Данная команда доступна не на всех платформах.**

Эта команда настраивает значение Ethertype для указанного интерфейса. Двухбайтное шестнадцатеричное значение Ethertype используется в качестве первых 16 битов тега DVLAN. Ethertype может иметь значения *802.1Q*, *vman*, или *custom*. Если для Ethertype указано необязательное значение *custom*, это пользовательское значение туннеля, и значение Ethertype должен быть установлен в диапазоне от 1 до 65535.

**Значение по умолчанию:** 802.1Q

**Формат:** `dvlan-tunnel ethertype {802.1Q | vman | custom 1-65535}`

**Режим ввода команд:** глобальная конфигурация

Термин	Описание
<b>802.1Q</b>	Настраивает Ethertype как 0x8100.
<b>custom</b>	Настраивает значение пользовательского тега в диапазоне от 1 до 65535.
<b>vman</b>	Представляет наиболее часто используемое значение 0x88A8.

### ***no dvlan-tunnel ethertype (режим конфигурирования интерфейса)***



**Данная команда доступна не на всех платформах. Эта команда удаляет значение Ethertype для указанного интерфейса.**

**Формат:** `no dvlan-tunnel ethertype`

**Режим ввода команд:** глобальная конфигурация

### ***dvlan-tunnel ethertype primary-tpid***

Используйте данную команду, чтобы создать новый TPID и связать его со следующим доступным регистром TPID. Если регистры TPID пустые, система вернет ошибку. При указании необязательного ключевого слова `[primary-tpid]` значение TPID будет принудительно настроено как TPID по умолчанию с индексом 0.

**Формат:** `dvlan-tunnel ethertype {802.1Q | vman | custom 1-65535} [primary-tpid]`

**Режим ввода команд:** глобальная конфигурация

<i>Термин</i>	<i>Описание</i>
<b>802.1Q</b>	Настраивает Ethertype как 0x8100.
<b>custom</b>	Настраивает значение пользовательского тега в диапазоне от 1 до 65535.
<b>vman</b>	Представляет наиболее часто используемое значение 0x88A8.

### *no dvlan-tunnel ethertype primary-tpid*

Этот вариант по-команды используется, чтобы установить регистр TPID в значение 0. (При инициализации все регистры будут установлены в свои значения по умолчанию.)

**Формат:** `no dvlan-tunnel ethertype {802.1Q | vman | custom 1-65535} [primary-tpid]`

**Режим ввода команд:** глобальная конфигурация

### *mode dot1q-tunnel*

Эта команда используется для включения Double VLAN Tunneling на указанном интерфейсе.

**Значение по умолчанию:** выключено

**Формат:** `mode dot1q-tunnel`

**Режим ввода команд:** конфигурирование интерфейса

### *no mode dot1q-tunnel*

Команда используется для выключения Double VLAN Tunneling на указанном интерфейсе. По умолчанию Double VLAN Tunneling выключено.

**Формат:** `no mode dot1q-tunnel`

**Режим ввода команд:** конфигурирование интерфейса

### *mode dvlan-tunnel*

Команда используется для включения Double VLAN Tunneling на указанном интерфейсе.



**Когда вы используете команду `mode dvlan-tunnel` на интерфейсе, он становится портом провайдера сервиса. Порты, на которых Double VLAN Tunneling не включен, являются пользовательскими портами.**

**Значение по умолчанию:** выключено

**Формат:** `mode dvlan-tunnel`

**Режим ввода команд:** конфигурирование интерфейса

### *no mode dvlan-tunnel*

Команда используется для выключения Double VLAN Tunneling на указанном интерфейсе. По умолчанию Double VLAN Tunneling выключено.

**Формат:** `no mode dvlan-tunnel`  
**Режим ввода команд:** конфигурирование интерфейса

### *show dot1q-tunnel*

Используйте эту команду без необязательных параметров, чтобы отобразить все интерфейсы с включенным Double VLAN Tunneling. Используйте необязательные параметры, чтобы отобразить подробную информацию о Double VLAN Tunneling для указанного интерфейса или интерфейсов.

**Формат:** `show dot1q-tunnel [interface {unit/slot/port | all}]`  
**Режим ввода команд:** привилегированный  
пользовательский

<i>Термин</i>	<i>Значение</i>
<b>Interface</b>	Интерфейс в формате unit/slot/port
<b>Mode</b>	Административный режим, в котором Double VLAN Tunneling можно включить или выключить. Значение этого поля по умолчанию — disabled.
<b>EtherType</b>	Двухбайтное шестнадцатеричное значение Ethertype, используемое в качестве первых 16 битов тега DVLAN tunnel. Существует 3 разных тега Ethertype. Первый — 802.1Q, который представляет собой часто используемое значение 0x8100. Второй — vMAN, который представляет собой часто используемое значение 0x88A8. Если Ethertype не является одним из этих двух значений, то это значение пользовательского туннеля, представляющее собой любое значение от 1 до 65535.

## 8.6 Команды настройки Private VLAN

Эта часть описывает команды, используемые для Private VLAN. Private VLAN обеспечивают изоляцию уровня 2 между портами, которые находятся в одной широковещательной области. Другими словами, это позволяет широковещательной области VLAN быть поделенным на более мелкие поддомены типа «точка-многоточка». Порты, задействованные в Private VLAN, находятся в любом месте сети уровня 2.

### *switchport private-vlan*

Эта команда определяет связь Private VLAN с изолированным или общим портом или привязку для смешанного порта.

**Формат:** `switchport private-vlan {host-association primary-vlan-id secondary-vlan-id | mapping primary-vlan-id {add | remove} secondary-vlan-list}`

Режим ввода команд: конфигурирование интерфейса

<i>Термин</i>	<i>Значение</i>
<b>host-association</b>	Устанавливает связь VLAN с общими портами или портами узла.
<b>mapping</b>	Устанавливает привязку Private VLAN для случайных портов.
<b>primary-vlan-id</b>	Первичный идентификатор Private VLAN.
<b>secondary-vlan-id</b>	Вторичный (изолированный или общий) идентификатор Private VLAN.
<b>add</b>	Связывает вторичный VLAN с первичным.
<b>remove</b>	Удаляет связи вторичных VLAN с первичным VLAN.
<b>secondary-vlan- list</b>	Список вторичных VLAN, которые будут привязаны к первичной VLAN.

### *no switchport private-vlan*

Эта команда удаляет связи Private VLAN или привязку для порта.

**Формат:** `no switchport private-vlan {host-association|mapping}`

**Режим ввода команд:** конфигурирование интерфейса

### *switchport mode private-vlan*

Эта команда настраивает порт как смешанный или узловой порт Private VLAN. Обратите внимание: свойства каждого режима могут быть настроены даже тогда, когда коммутатор не находится в нужном режиме. Однако они будут применены только тогда, когда коммутатор перейдет в заданный режим.

**Значение по умолчанию:** `general`

**Формат:** `switchport mode private-vlan {host|promiscuous}`

**Режим ввода команд:** конфигурирование интерфейса

<i>Термин</i>	<i>Значение</i>
<b>host</b>	Настраивает интерфейс как узловой порт Private VLAN. Порт может быть изолированным или общим в зависимости от вторичной VLAN, с которой он связан.
<b>promiscuous</b>	Настраивает интерфейс как смешанный порт Private VLAN. Смешанные порты входят в первичную VLAN.

### *no switchport mode private-vlan*

Эта команда удаляет связи Private VLAN или привязку для порта.

**Формат:** `no switchport mode private-vlan`

**Режим ввода команд:** конфигурирование интерфейса



## ***private-vlan***

Эта команда настраивает Private VLAN и связи между первичными и вторичными Private VLAN.

**Формат:** `private-vlan {association [add|remove] secondary-vlan-list|community|isolated|primary}`

**Режим ввода команд:** конфигурирование VLAN

<b><i>Параметр</i></b>	<b><i>Описание</i></b>
<b>association</b>	Связывает первичную и вторичную VLAN.
<b>secondary-vlan-list</b>	Список вторичных VLAN, которые будут привязаны к первичной VLAN.
<b>community</b>	Назначает VLAN общей.
<b>isolated</b>	Назначает VLAN изолированной.
<b>primary</b>	Назначает VLAN первичной.

## ***no private-vlan***

Команда восстанавливает нормальную конфигурацию VLAN.

**Формат:** `no private-vlan {association}`

**Режим ввода команд:** конфигурирование VLAN

## **8.7 Настройка портов коммутатора**

В этой части описаны команды, используемые для настройки режима порта коммутатора.

### ***switchport mode***

Используйте эту команду, чтобы настроить режим порта коммутатора как `access`, `trunk` or `general`.

В режиме `Trunk`, порт становится частью всех VLAN на коммутаторе, если он не указан в списке разрешений команды `switchport trunk allowed vlan`. PVID порта в этом случае установлен в значение `Native VLAN`, как указано в команде `switchport trunk native vlan`. Это означает, что порты `Trunk` принимают как тегированные, так и нетегированные пакеты, при этом нетегированные пакеты обрабатываются в основной VLAN, а тегированные обрабатываются в сетях VLAN, идентификаторы которых указаны в пакетах. Определение MAC выполняется на пакетах обоих типов. Тегированные пакеты с идентификатором VLAN, которые не связаны с данным портом, отбрасываются, определение MAC не выполняется. Порты в режиме `Trunk` всегда передают нетегированные пакеты в основную VLAN.

В режиме `Access` порт становится частью только одной VLAN. Порт отправляет и получает нетегированный трафик. Он также может получать тегированный трафик. На порте включена фильтрация входящих пакетов. Это значит, что если идентификатор VLAN полученного пакета не идентичен идентификатору доступной VLAN, такой пакет отбрасывается.

В режиме `General`, пользователь может выполнять пользовательскую настройку принадлежности к VLAN, PVID, тегирования, фильтрации входящих пакетов и т. д. Это устаревший

вариант настройки для конфигурации порта коммутатора. Устаревшие команды CLI настраивали порт в режиме General.

**Значение по умолчанию:** режим General  
**Формат:** `switchport mode {access | trunk | general}`  
**Режим ввода команд:** конфигурирование интерфейса

### *no switchport mode*

Эта команда устанавливает режим порта коммутатора в значение по умолчанию.

**Формат:** `no switchport mode`  
**Режим ввода команд:** конфигурирование интерфейса

### ***switchport trunk allowed vlan***

Используйте данную команду для настройки списка доступа VLAN, которые могут получать и отправлять трафик на данном интерфейсе в тегированном формате, когда интерфейс находится в режиме Trunk. Значение по умолчанию: все VLAN.

Список VLAN может быть изменен с помощью опций `add` и `remove`, или заменен другим списком с помощью опций `vlan-list`, `all`, или `except`. Если выбрано `all`, все VLAN добавляются в список VLAN, имеющих доступ. Опция `except` предоставляет список исключений.

Порты в режиме Trunk принимают тегированные пакеты, и они обрабатываются в сетях VLAN, идентификаторы которых указаны в пакетах, если VLAN находятся в списке доступа VLAN. Тегированные пакеты с идентификатором VLAN, которые не связаны с данным портом, отбрасываются, определение MAC не выполняется. Если VLAN добавлена в систему после того, как порт настроен в режим Trunk, и при этом находится в списке доступа VLAN, данная VLAN назначается этому порту автоматически.

**Значение по умолчанию:** All  
**Формат:** `switchport trunk allowed vlan {vlan-list | all | {add vlan-list} | {remove vlan-list} | {except vlan-list}}`  
**Режим ввода команд:** конфигурирование интерфейса

<i>Параметр</i>	<i>Описание</i>
all	Обозначает все VLAN от 1 до 4094. Это ключевое слово не допускается в командах, которые не разрешают сразу использовать полный список VLAN.
add	Добавляет определенный список VLAN к тем, что уже установлены, не заменяя их.
remove	Удаляет установленный список VLAN, не заменяя его. Действительные идентификаторы — от 1 до 4094; в данной команде действует расширенный диапазон идентификаторов VLAN в форме X-Y или X,Y,Z.
except	Задаёт список VLAN, которые рассчитываются путем инвертирования указанного списка VLAN (т. е. все VLAN, за исключением указанных).
vlan-list	Отдельный номер VLAN от 1 до 4094 или непрерыв-

	ный диапазон VLAN, заданный двумя VLAN номерами, разделенными дефисом, от меньшего к большему.
--	--

### *no switchport trunk allowed vlan*

Данная команда сбрасывает список доступа VLAN для порта в режиме Trunk в значение по умолчанию.

**Формат:** `no switchport trunk allowed vlan`

**Режим ввода команд:** конфигурирование интерфейса

### *switchport trunk native vlan*

Используйте данную команду для настройки параметра Native VLAN порта в режиме Trunk. Любым входящим нетегированным пакетам присваивается тег со значением Native VLAN. Для тегирования нетегированных пакетов Native VLAN должна быть в списке доступа VLAN. В противном случае нетегированные пакеты отбрасываются. Пакеты, тегированные значением Native VLAN, передаются нетегированными от Trunk-порта. Значение по умолчанию: 1.

**Значение по умолчанию:** 1 (Default VLAN)

**Формат:** `switchport trunk native vlan vlan-id`

**Режим ввода команд:** конфигурирование интерфейса

### *no switchport trunk native vlan*

Используйте эту команду, чтобы установить Native VLAN для Trunk-порта в значение по умолчанию.

**Формат:** `no switchport trunk native vlan`

**Режим ввода команд:** конфигурирование интерфейса

### *switchport access vlan*

Используйте данную команду для настройки VLAN на порте в режиме Access. Для Access-порта можно назначить только одну VLAN. По умолчанию Access-порты являются членами VLAN 1. Access-порты можно связать с другими VLAN, помимо VLAN 1. При удалении связанной VLAN на коммутаторе Access-порт становится членом VLAN 1. Настройка связи Access-порта с несуществующей VLAN заканчивается ошибкой и не меняет конфигурацию.

**Значение по умолчанию:** 1 (Default VLAN)

**Формат:** `switchport access vlan vlan-id`

**Режим ввода команд:** конфигурирование интерфейса

### *no switchport access vlan*

Эта команда устанавливает VLAN для порта в режиме Access в значение по умолчанию.

**Формат:** `no switchport access vlan`

**Режим ввода команд:** конфигурирование интерфейса

### ***show interfaces switchport***

Команда для отображения состояния порта коммутатора для всех интерфейсов или указанного интерфейса.

**Формат:** `show interfaces switchport unit/slot/port`

**Режим ввода команд:** привилегированный

### ***show interfaces switchport***

Используйте данную команду для отображения конфигурации порта коммутатора для выбранного режима по каждому интерфейсу. Если интерфейс не указан, отображается конфигурация для всех интерфейсов.

**Формат:** `show interfaces switchport {access | trunk | general} [unit/slot/port]`

**Режим ввода команд:** привилегированный

## **8.8 Команды настройки Voice VLAN**

В этой части описаны команды, используемые для Voice VLAN. Voice VLAN позволяет портам коммутатора передавать голосовой трафик с заданным приоритетом, чтобы обеспечить разделение голосового трафика и трафика данных, поступающих на порт. Преимущество использования Voice VLAN в том, что она гарантирует, что качество звука IP-телефона защищено от ухудшения при высоком потоке данных.

Кроме того, свойственная VLAN изоляция гарантирует, что внутренний трафик VLAN находится под административным контролем и что соединенные с сетью клиенты не смогут инициировать прямую атаку на голосовые компоненты. QoS на основе класса обслуживания (CoS) IEEE 802.1p использует классификацию и планирование отправки сетевого трафика с коммутатора предсказуемым образом. Система использует исходный MAC-адрес трафика, проходящего через порт, чтобы идентифицировать данные IP-телефонии.

### ***voice vlan (режим глобальной конфигурации)***

Используйте эту команду, чтобы включить функционал Voice VLAN на коммутаторе.

**Значение по умолчанию:** выключено

**Формат:** `voice vlan`

**Режим ввода команд:** глобальная конфигурация

### ***no voice vlan (Global Config)***

Используйте данную команду, чтобы выключить Voice VLAN на коммутаторе.

**Формат:** `no voice vlan`

**Режим ввода команд:** глобальная конфигурация

### ***voice vlan (режим конфигурирования интерфейса)***

Команда для включения функционала Voice VLAN на интерфейсе или диапазоне интерфейсов.

**Значение по умолчанию:** выключено

**Формат:** `voice vlan {vlanid id | dot1p priority | none | untagged}`

**Режим ввода команд:** конфигурирование интерфейса

Настроить Voice VLAN можно одним из четырех способов.

<b><i>Параметр</i></b>	<b><i>Описание</i></b>
vlan-id	Настраивает IP-телефон направлять весь голосовой трафик через указанную VLAN. Действительные идентификаторы VLAN — от 1 до 4094 (максимальный диапазон, поддерживаемый платформой).
dot1p	Настраивает IP-телефон использовать для голосового трафика приоритетное тегирование 802.1p и значение Native VLAN (VLAN 0) по умолчанию для всего трафика. Действительный диапазон значений priority — от 0 до 7.
none	Позволяет IP-телефону использовать собственные настройки для отправки нетегированного голосового трафика.
untagged	Настраивает телефон отправлять нетегированный голосовой трафик.

### ***no voice vlan (Interface Config)***

Используйте эту команду, чтобы выключить Voice VLAN на интерфейсе.

**Формат:** `no voice vlan`

**Режим ввода команд:** конфигурирование интерфейса

### ***voice vlan data priority***

Команда используется, чтобы позволить или запретить настройку трафика, проходящего на интерфейс или диапазон интерфейсов Voice VLAN.

**Значение по умолчанию:** trust

**Формат:** `voice vlan data priority {untrust | trust}`

**Режим ввода команд:** конфигурирование интерфейса

### ***show voice vlan***

**Формат:** `show voice vlan [interface {unit/slot/port | all}]`

**Режим ввода команд:** привилегированный

Если параметр *interface* не задан, отображается только глобальный режим Voice VLAN.

<b><i>Параметр</i></b>	<b><i>Описание</i></b>
<b>Administrative Mode</b>	Глобальный режим Voice VLAN

Если параметр *interface* указан:

<i>Параметр</i>	<i>Описание</i>
<b>Voice VLAN Mode</b>	Административный режим Voice VLAN на интерфейсе.
<b>Voice VLAN ID</b>	Идентификатор Voice VLAN.
<b>Voice VLAN Priority</b>	do1p-приоритет для Voice VLAN порта.
<b>Voice VLAN Untagged</b>	Опция тегирования для трафика Voice VLAN.
<b>Voice VLAN CoS Override</b>	Опция перезаписи для голосового трафика, входящего на порт.
<b>Voice VLAN Status</b>	Оперативный статус Voice VLAN на порте.

## 8.9 Команды настройки моста провайдера<sup>1</sup>

Команды для моста провайдера настраивают коммутатор для использования стекированных VLAN по стандарту IEEE 802.1ad. Сервисные провайдеры используют стекированные VLAN, в которых содержатся теги 801.Q VLAN на втором уровне тегов 802.Q (802.1Q-inQ), чтобы позволить одной сети VLAN поддерживать клиентов, у которых есть несколько внутренних VLAN.

Команды настройки моста провайдера включают в себя команды туннелирования данных и команды туннелирования протоколов L2.

- Команды туннелирования данных определяют сервисные экземпляры и применяют их к определенным портам.
- Команды туннелирования протоколов L2 позволяют использовать протоколы второго уровня сети клиента на различных площадках, подключенных через сеть сервисного провайдера.

### **Команды настройки туннелирования данных**

Чтобы на коммутаторе создать мост в рамках всей сети поставщика услуг, требуется определить экземпляры сервисов. Определение экземпляра сервисов включает в себя указание имени сервиса, используемого типа переадресации и данных QoS. Экземпляр сервиса может также быть связан с уникальной сервисной меткой VLAN (SVLAN), которая определяется значением идентификатора VLAN (S-VID).

Администратор может приписать к сервису отдельные порты. Когда порт приписывается к сервису, на коммутаторе создается VLAN (если она еще не существует), и приписанный порт настраивается как участник SVLAN. Порт сервисного поставщика (называемый портом Network-to-Network, или NNI) также настраивается как участник SVLAN для того, чтобы передавать исходящий и получать входящий трафик.

Приписка включает критерии сопоставления, такие как идентификатор VLAN клиента, C-VID, приоритет, S-VID. Когда входящий пакет на UNI-P соответствует критерию приписанного порта, коммутатор добавляет тег сервисной VLAN к пакету, и дополнительно может менять тег C-VID/удалять C-тег пакета перед тем, как направлять/перенаправлять его в сеть сервисного провайдера. Когда входящий пакет на UNI-S соответствует критерию приписанного порта, коммутатор может менять тег S-VID и/или менять тег C-VID/удалять C-тег пакета перед тем, как

<sup>1</sup>Данный функционал доступен при наличии лицензии OSPF. Для активации свяжитесь со службой технической поддержки.

направлять/перенаправлять его в сеть сервисного провайдера. CLI поддерживает до 4 тыс. приписок сервиса на один коммутатор/порт.

Если сервис TLS приписан к порту, то P-VID порта настраивается на функционирование в качестве S-VID сервиса TLS. P-VID NNI-порта устанавливается как управляющая VLAN. По умолчанию управляющей является VLAN 1. Настройки создания и участия VLAN на коммутаторе одинаковы для всех типов сервисов (TLS, E-LAN, E-Tree, ELine).



**Сети VLAN и участие портов (клиентских и сервисного провайдера) настраиваются автоматически на основе конфигурации сервиса и приписок. Администраторам не рекомендуется создавать или изменять VLAN и участие портов в VLAN на каких-либо портах. Ручная настройка VLAN и участия портов может привести к непредсказуемым последствиям.**

### **dot1ad mode**

Эта команда включает режим UNI/NNI и устанавливает тип dot1ad для интерфейса или диапазона интерфейсов. UNI-P предназначен для интерфейсов на основе портов, а UNI-S — для интерфейсов на основе сервисов. Сопоставление на основе S-VID/C-VID и CVID/Priority может быть настроено на порте UNI-S. Порт UNI-P может быть настроен с критериями сопоставления на основе C-VID/Priority/Untagged. Сервисы dot1ad не могут быть приписаны к порту в режиме switchport. Если режим установлен как switchport, порт можно использовать для нормальной коммутации/маршрутизации трафика.

**Значение по умолчанию:** отсутствует

**Формат:** dot1ad mode {uni-p | uni-s | nni | switchport}

**Режим ввода команд:** конфигурирование интерфейса

**Пример:**

Команда может выглядеть следующим образом.

```
(Switch)(Config)(interface 1/0/6)#dot1ad mode nni
```

### **dot1ad service**

Эта команда настраивает сервис заданного типа по имени. Команда предоставляет настройку связи S-VID и NNI-портов на уровне сервисов.

**Формат:** dot1ad service service-name svid svid {e-lan | e-line | e-tree | tls} [nni port list]

**Режим ввода команд:** глобальная конфигурация

<b>Параметр</b>	<b>Описание</b>
<b>service-name</b>	Название сервиса, заданное пользователем.
<b>svid</b>	Идентификатор сервисной VLAN (S-VID).
<b>e-lan   e-line   e-tree   tls</b>	Эти параметры определяют тип трафика, связанного с экземпляром сервиса. <ul style="list-style-type: none"> <li><b>e-lan</b> — коммутируемый или общий сервис, в котором связанный трафик пересылается на основе стандартного коммутационного поиска уровня 2 с</li> </ul>

	<p>использованием S-VID и MAC-адреса пункта назначения в качестве ориентиров в FDB.</p> <p><b>Порт может быть участником нескольких сервисов E-LAN. Если коммутируемый сервис присоединен к нескольким UNI-портам, эти порты смогут передавать трафик друг другу так же, как и портам NNI. Этот же сервис E-LAN может быть применен к портам UNI-P и UNI-S.</b></p> <ul style="list-style-type: none"> <li>• <b>e-line</b> — параметр e-line создает сервис «точка-точка», в котором трафик передается напрямую к NNI-порту в восходящем направлении и к подсоединенным UNI-портам в нисходящем направлении. Сервис e-line обходит стандартные решения коммутации на основе VLAN/MAC, в том числе определение MAC-адреса источника. По умолчанию система не определяет принадлежность трафика, принадлежащего сервису e-line. Экземпляр сервиса e-line определяет сервис «точка-точка», в котором участвует только порт UNI-P или UNI-S.</li> </ul> <p><b>Примечание.</b> Важно отметить, что нисходящая передача данных и многоадресный трафик по-прежнему будут перенаправляться к связанному UNI-порту, участвующему в сервисе e-line.</p> <ul style="list-style-type: none"> <li>• <b>e-tree</b> — параметр e-tree создает сервис «точка-многоточка», в котором трафик, связанный с этим сервисом, передается напрямую к NNI-порту в восходящем направлении и напрямую к подсоединенным UNI-портам в нисходящем направлении. Если экземпляр службы e-tree применяется к нескольким UNI-портам, он становится сервисом «точка-многоточка», в котором участвующие порты пользователя по-прежнему изолированы друг от друга.</li> </ul> <p><b>Примечание.</b> Важно отметить, что нисходящая передача данных, многоадресная передача трафика и трафик неизвестного назначения (DLF) по-прежнему будут перенаправляться (реплицироваться) на все порты, участвующие в сервисе e-tree.</p> <ul style="list-style-type: none"> <li>• <b>tls (Transparent LAN Service).</b> Администраторы могут настроить TLS на портах UNI-P и UNI-S. TLS используется для подключения удаленных клиентов с прозрачным C-Tag. Критериев соответствия для TLS не существует. <ul style="list-style-type: none"> <li>– Если на порте UNI-P не настроена служба TLS, все пакеты, не совпадающие ни с одним экземпляром сервисов, настроенным на портах, будут отброшены. Если служба TLS настроена, то все пакеты, не совпадающие с другими экземплярами служб на порте, будут отмечены в соответствии с описанием TLS для этого порта. Заданный пользователем сервис TLS будет использоваться для нетегированных, приоритетно тегированных пакетов и пакетов с тегами C-VLAN, которые не совпадают с другими экземплярами служб на порте.</li> <li>– Если служба TLS настроена на порте UNI-S, кадры с тегами сервиса VLAN (включая двойные теги), не совпадающие с другими экземплярами служб</li> </ul> </li> </ul>
--	--



	на порте, будут переданы к соответствующим NNI-портам на основе S-VID, связанным с сервисом, без каких-либо изменения в VLAN. Пакеты без маркировки и пакеты приоритетов, не совпадающие с другими экземплярами служб на порте, будут отброшены.
<b>port-list</b>	Список NNI-портов.

### *no dot1ad service*

Используйте форму по-команды, чтобы удалить сервис.

**Формат:** `no dot1ad service service-name`

**Режим ввода команд:** глобальная конфигурация

### ***subscribe match untagged-pkt***

Команда настраивает соответствие назначения VLAN для нетегированных пакетов (только UNI-P) на интерфейсе или диапазоне интерфейсов. Восходящий трафик идет к настроенным NNI-портам, основанным на коммутации или перенаправлении, в зависимости от сервиса, к которому они приписаны.

**Формат:** `subscribe service-name subscription-name match untagged-pkt [assign-cvid cvid] [nni port-list]`

**Режим ввода команд:** конфигурирование интерфейса

### *no subscribe match untagged-pkt*

Используйте форму по-команды, чтобы отменить приписку нетегированных пакетов.

**Формат:** `no subscribe service-name subscription-name match untagged-pkt [assign-cvid cvid] [nni port-list]`

**Режим ввода команд:** конфигурирование интерфейса

### ***subscribe match priority***

Команда используется для настройки критериев назначения VLAN для пакетов с приоритетным тегированием на интерфейсе или диапазоне интерфейсов. Восходящий трафик идет к настроенным NNI-портам, основанным на коммутации или перенаправлении, в зависимости от сервиса, к которому они приписаны.

**Формат:** `subscribe service-name subscription-name match priority pri [assign-cvid cvid] [nni port-list]`

**Режим ввода команд:** конфигурирование интерфейса

### ***subscribe match cvid***

Используйте данную команду для настройки критериев соответствия назначения VLAN для пакетов с C-тегом. Восходящий трафик идет к настроенным NNI-портам, основанным на коммутации или перенаправлении, в зависимости от сервиса, к которому они приписаны. Эта команда применима только для портов UNI-P.

**Формат:** `subscribe service-name subscription-name match cvid cvid [[remark-cvid cvid] | [remove-ctag]] [nni port-list]`

**Режим ввода команд:** конфигурирование интерфейса

### ***subscribe match cvid priority***

Команда для настройки критериев соответствия назначения VLAN для пакетов с C-тегом на основе C-VID, и, дополнительно, на основе значения Priority в C-теге. Восходящий трафик идет к настроенным NNI-портам, основанным на коммутации или перенаправлении, в зависимости от сервиса, к которому они приписаны. Эта команда применима только для портов UNI-P.

**Формат:** `subscribe service-name subscription-name match cvid cvid [priority pri [[remark-cvid] cvid] | [remove-ctag]] [nni port-list]`

**Режим ввода команд:** конфигурирование интерфейса

### ***subscribe match svid***

Используйте данную команду для настройки критериев соответствия назначения VLAN для одиночных пакетов с S-тегом. Восходящий трафик идет к настроенным NNI-портам, основанным на коммутации или перенаправлении, в зависимости от сервиса, к которому они приписаны.

**Формат:** `subscribe service-name subscription-name match svid svid [nni port-list]`

**Режим ввода команд:** конфигурирование интерфейса

### ***subscribe match svid cvid***

Используйте эту команду, чтобы настроить критерии соответствия назначения VLAN для пакетов с двойными тегами. Восходящий трафик идет к настроенным NNI-портам, основанным на коммутации или перенаправлении, в зависимости от сервиса, к которому они приписаны.

**Формат:** `subscribe service-name subscription-name match svid svid [cvid cvid [[remark-cvid cvid] | [remove-ctag]]] [nni port list]`

**Режим ввода команд:** конфигурирование интерфейса

### ***subscribe***

Используйте эту команду, чтобы приписать TLS-сервис к порту. Восходящий трафик идет к настроенным NNI-портам на основе коммутационных решений.

**Формат:** `subscribe service-name subscription-name [nni port list]`

**Режим ввода команд:** конфигурирование интерфейса

### ***show dot1ad service***

Команда отображает информацию об указанном сервисе или обо всех сервисах (т. е. название сервиса, тип сервиса и S-VID), настроенных на CPE.

**Формат:** `show dot1ad service [[service-name] [unit/slot/port]]`

**Режим ввода команд:** привилегированный

### ***show dot1ad service-subscription***

Данная команда показывает все сервисы, приписанные к интерфейсам.

**Формат:** `show dot1ad service-subscription {unit/slot/port | all | service-name}`

**Режим ввода команд:** привилегированный

<i>Параметр</i>	<i>Описание</i>
<b>unit/slot/port</b>	Показывает все подписки для указанного unit/slot/port.
<b>all</b>	Показывает подписки всех сервисов.
<b>service-name</b>	Показывает все подписки для указанного имени сервиса.
<b>e-lan   e-line   e-tree   tls</b>	<p>Эти параметры определяют тип трафика, связанного с экземпляром сервиса.</p> <ul style="list-style-type: none"> <li><b>e-lan</b> — коммутируемый или общий сервис, в котором связанный трафик пересылается на основе стандартного коммутационного поиска уровня 2 с использованием S-VID и MAC-адреса пункта назначения в качестве ориентиров в FDB.</li> </ul> <p><b>Порт может быть участником нескольких сервисов E-LAN. Если коммутируемый сервис присоединен к нескольким UNI-портам, эти порты смогут передавать трафик друг другу так же, как и портам NNI. Этот же сервис E-LAN может быть применен к портам UNI-P и UNI-S.</b></p> <ul style="list-style-type: none"> <li><b>e-line</b> — параметр e-line создает сервис «точка-точка», в котором трафик передается напрямую к NNI-порту в восходящем направлении и к подсоединенным UNI-портам в нисходящем направлении. Сервис e-line обходит стандартные решения коммутации на основе VLAN/MAC, в том числе определение MAC-адреса источника. По умолчанию система не определяет принадлежность трафика, принадлежащего сервису e-line. Экземпляр сервиса e-line определяет сервис «точка-точка», в котором участвует только порт UNI-P или UNI-S.</li> </ul> <p>Примечание. Важно отметить, что нисходящая передача данных и многоадресный трафик по-прежнему будут перенаправляться к связанному UNI-порту, участвующему в сервисе e-line.</p> <ul style="list-style-type: none"> <li><b>e-tree</b> — параметр e-tree создает сервис «точка-многоточка», в котором трафик, связанный с этим сервисом, передается напрямую к NNI-порту в восходящем направлении и напрямую к подсоединенным UNI-портам в нисходящем направлении. Если экземпляр службы e-tree применяется к нескольким UNI-портам, он становится сервисом «точка-многоточка», в котором участвующие порты пользователя по-прежнему изолированы друг от друга.</li> </ul> <p><b>Примечание.</b> Важно отметить, что нисходящая передача данных, многоадресная передача трафика и трафик неизвестного назначения (DLF) по-прежнему будут перенаправляться (реплицироваться) на все порты, участвующие в сервисе e-tree.</p> <ul style="list-style-type: none"> <li><b>tls</b> (Transparent LAN Service). Администраторы могут настроить TLS на портах UNI-P и UNI-S. TLS используется для подключения удаленных местоположений клиента клиентов с прозрачным C-Tag. Критерии соответствия для TLS не существует.</li> </ul>

	<ul style="list-style-type: none"> <li>– Если на порте UNI-P не настроена служба TLS, все пакеты, не совпадающие ни с одним экземпляром сервисов, настроенным на портах, будут отброшены. Если служба TLS настроена, то все пакеты, не совпадающие с другими экземплярами служб на порте, будут отмечены в соответствии с описанием TLS для этого порта. Заданный пользователем сервис TLS будет использоваться для нетегированных, приоритетно тегированных пакетов и пакетов с тегами C-VLAN, которые не совпадают с другими экземплярами служб на порте.</li> <li>– Если служба TLS настроена на порте UNI-S, кадры с тегами сервиса VLAN (включая двойные теги), не совпадающие с другими экземплярами служб на порте, будут переданы к соответствующим NNI-портам на основе S-VID, связанным с сервисом, без каких-либо изменения в VLAN. Пакеты без маркировки и пакеты приоритетов, не совпадающие с другими экземплярами служб на порте, будут отброшены.</li> </ul>
<b>port-list</b>	Список NNI-портов.

### Команды настройки туннелирования протоколов L2

Туннелирование второго уровня может использоваться для расширения сети к отдаленным местоположениям через сеть поставщика услуг. Эти команды настраивают туннелирование второго уровня на интерфейсах коммутаторов.

Чтобы настроить протокол туннелирования L2 на интерфейсе, необходимо настроить его как интерфейс 802.1ad типа «сеть-сеть» (NNI) или «пользователь-сеть» (UNI). Затем нужно настроить действие (туннелирование, завершение, отбрасывание или отбрасывание и выключение), которое выполняется интерфейсом, когда он получает PDU с указанной комбинацией MAC-адреса места назначения и идентификатора протокола. Если интерфейс настроен туннелировать по протоколу/MAC-адресу PDU, то он добавляет к пакету соответствующий тег с сервисным определением (S-тег), и необязательный тег идентификатора VLAN пользователя (C-тег), а затем перенаправляет его к NNI-порту.

#### *dot1ad l2tunnel*

Данная команда настраивает действие (tunnel или terminate) для данного MAC-адреса определенного сервиса.



**Все зарезервированные MAC-адреса в диапазоне от 01:80:C2:00:00:00 до 01:80:C2:00:00:3F по умолчанию настраиваются с действием terminate. Когда зарезервированный MAC-адрес настроен с действием terminate, он не отображается при выполнении любых команд show или show running-config.**

**Значение по умолчанию:** terminate

**Формат:** dot1ad l2tunnel vlan *vlan id* mac-address *reserved-mac* protocol-id *proto-id* {tunnel | terminate | discard [shutdown]}

**Режим ввода команд:** глобальная конфигурация

<i>Параметр</i>	<i>Описание</i>
<b>protocol-id</b>	Поле идентификатора протокола, которое должно совпадать во входящем пакете, чтобы провести про-

	токольное туннелирование. Диапазон protocol-id — от 0x0001 до 0xffff.
<b>reserved-mac</b>	Поле MAC-адреса назначения во входящем пакете, которое должно совпадать с настройками для протокольного туннелирования. Диапазон MAC-адресов — от 01:80:c2:00:00:00 до 01:80:c2:00:00:3f.
<b>tunnel   terminate   discard [shutdown</b>	<p>Это действие предпринимается для любых пакетов, соответствующих сочетанию MAC-адрес/protocol-id.</p> <ul style="list-style-type: none"> <li>• <b>tunnel</b> — Пакету присваивается два тега: с определением сервиса (S-VID) и с идентификатором VLAN клиента (C-VID), после чего пакет переадресуется на NNI-порт на основании S-VID. Это действие предпринимается независимо от того, был ли включен протокол на интерфейсе или нет.</li> <li>• <b>terminate</b> — Если на интерфейсе включен протокол, то контрольный PDU передается приложению, обрабатывающему протокол. Если протокол не включен, то контрольный пакет отбрасывается.</li> <li>• <b>discard [shutdown]</b> — Пакет отбрасывается вне зависимости от того, включен на интерфейсе протокол или нет. Используйте необязательное ключевое слово shutdown, чтобы выключить интерфейс и сгенерировать SNMP-трап.</li> </ul>
<b>vlan id</b>	Идентификатор сервисной VLAN.

### **no dot1ad l2tunnel**

Эта команда удаляет любую обработку dot1ad-протокола для данного порта.

**Формат:** `no dot1ad l2tunnel vlan vlan id MAC-address reserved MAC protocol-id proto-id`

**Режим ввода команд:** глобальная конфигурация

### **show dot1ad mode**

Данная команда отображает тип порта (UNI-P, UNI-S, NNI или Switchport), и настройку приоритета C-тега.

**Формат:** `show dot1ad mode {all | unit/slot/port}`

**Режим ввода команд:** привилегированный

### **show dot1ad l2tunnel**

Данная команда отображает конфигурацию фильтрации зарезервированных MAC-адресов.

**Формат:** `show dot1ad l2tunnel {all | mac-address mac-addr | protocol-id proto-id} | vlan vlan-id}`

**Режим ввода команд:** привилегированный

Параметры MAC-address, и protocol-id могут быть использованы для индексирования при отображении записей.

## **8.10 Команды настройки распределения ресурсов (IEEE 802.1p)**

В этой части описаны команды для настройки распределения ресурсов (IEEE 802.1p), которые позволяют настроить приоритеты портов.

### ***vlan port priority all***

Эта команда назначает приоритет портов для нетегированных пакетов для всех портов, подключенных в данный момент к устройству. Диапазон значений приоритета — от 0 до 7. Любая последующая настройка отдельных портов заменяет данный параметр конфигурации.

**Формат:** `vlan port priority all priority`

**Режим ввода команд:** глобальная конфигурация

### ***vlan priority***

Эта команда назначает приоритет порта 802.1p по умолчанию для нетегированных пакетов для определенного интерфейса. Диапазон значений приоритета — от 0 до 7.

**Значение по умолчанию:** 0

**Формат:** `vlan priority priority`

**Режим ввода команд:** конфигурирование интерфейса

## **8.11 Команды настройки сквозного режима (ASF)**

Сквозной режим (иначе называемый Alternative Store and Forward Mode, ASF) позволяет коммутатору работать в режиме, когда исходящий конвейер начинает передачу пакета до того, как пакет поступил на входящий конвейер полностью. Включение этого режима сокращает задержку при передаче больших пакетов.

В этом режиме диспетчеру оперативной памяти (MMU) разрешается направлять пакет на исходящий порт до того, как пакет полностью был загружен в память Cell Buffer Pool (CBP).

### ***cut-through mode***

Используйте данную команду, чтобы включить или выключить сквозной режим на коммутаторе. После включения или выключения режима необходимо перезагрузить коммутатор, чтобы изменения вступили в силу.

**Значение по умолчанию:** выключено

**Формат:** `cut-through mode`

**Режим ввода команд:** глобальная конфигурация.

### ***no cut-through mode***

Эта команда устанавливает сквозной режим в значение по умолчанию.

**Формат:** `no cut-through mode`

**Режим ввода команд:** глобальная конфигурация.

### ***show cut-through mode***

Команда для отображения текущего и настроенного статуса сквозного режима.

**Формат:** `show cut-through mode`

**Режим ввода команд:** глобальная конфигурация

#### ***Пример:***

Результат выполнения команды в CLI.

```
(Routing) #show cut-through
```

```
mode Current mode :Disable
```

```
Configured mode :Enable (This mode is effective on next reload)
```

## 8.12 Настройки асимметричного управление потоком

В режиме асимметричного управления потоком коммутатор отвечает на PAUSE-кадры, полученные от других устройств, останавливая передачу пакетов, но при этом коммутатор не инициирует PAUSE-кадры управления MAC.

Если настроить коммутатор в режим асимметричного управления потоком (или в режим без управления потоком), устройство переходит в режим отбрасывания исходящих данных. Этот режим максимально увеличивает пропускную способность системы за счет потери пакетов в сильно перегруженной системе и позволяет избежать блокировки очереди.

### ***flowcontrol {symmetric|asymmetric}***

Используйте данную команду, чтобы включить или выключить симметричное или асимметричное управление потоком на коммутаторе. Режим асимметричного управления подразумевает, что настройка Tx Pause не может быть включена. Включена может быть только Rx Pause.

**Значение по умолчанию:** управление потоком выключено.

**Формат:** `flowcontrol {symmetric|asymmetric}`

**Режим ввода команд:** глобальная конфигурация

### ***no flowcontrol {symmetric|asymmetric}***

Используйте по-форму команды, чтобы выключить симметричное или асимметричное управление потоком.

**Формат:** `no flowcontrol {symmetric|asymmetric}`

**Режим ввода команд:** глобальная конфигурация

### ***flowcontrol***

Используйте данную команду, чтобы включить или выключить симметричное управление потоком на коммутаторе.

**Значение по умолчанию:** управление потоком выключено.

**Формат:** `flowcontrol`

**Режим ввода команд:** глобальная конфигурация

### ***no flowcontrol***

Используйте по-форму команды, чтобы выключить симметричное управление потоком.

**Формат:** `no flowcontrol`

**Режим ввода команд:** глобальная конфигурация

## *show flowcontrol*

Данная команда используется для отображения конфигурации и статуса управления потоком стандарта IEEE 802.3 (Приложение 31В) для конкретного интерфейса или всех интерфейсов. Команда также отображает счетчики пауз для 802.3 Tx и Rx. Счетчики кадров приоритета для управления потоком не отображаются. Если порт включен для приоритетного управления потоком, оперативный статус управления отображается как **Inactive**. Оперативный статус управления потоком для портов в стеке всегда отображается как **N/A**.

**Формат:** `show flowcontrol [unit/slot/port]`

**Режим ввода команд:** привилегированный

## 8.13 Настройка защищенных портов

Эта часть описывает команды, используемые для настройки и просмотра защищенных портов на коммутаторе. Защищенные порты не перенаправляют трафик друг другу, даже если находятся в одной VLAN. При этом защищенные порты могут перенаправлять трафик на все незащищенные порты в своей группе. Незащищенные порты могут перенаправлять данные защищенным и незащищенным портам. По умолчанию порты являются незащищенными.

Если интерфейс настроен как защищенный порт и вы добавляете его к агрегированному интерфейсу или группе агрегации каналов (LAG), статус защищенного порта на интерфейсе оперативно выключается, при этом интерфейс принимает конфигурацию LAG-порта. Тем не менее настройка защищенного порта на интерфейсе остается без изменений. Как только интерфейс выходит из LAG, текущая конфигурация этого интерфейса автоматически вступает в действие.

### *switchport protected (режим глобальной конфигурации)*

Используйте данную команду, чтобы создать защищенную группу портов. Параметр `groupid` определяет набор защищенных портов. Используйте параметры `name name`, чтобы назначить имя защищенной группы портов. Имя может включать до 32 буквенно-цифровых символов, включая пробелы. Значение по умолчанию: пустая строка.



**Защита портов происходит в рамках одного коммутатора. Конфигурация защищенного порта не влияет на трафик между портами двух разных коммутаторов. Между двумя защищенными портами переадресация трафика невозможна.**

**Значение по умолчанию:** не защищен

**Формат:** `switchport protected groupid name name`

**Режим ввода команд:** глобальная конфигурация

### *no switchport protected (Global Config)*

Команда удаляет защищенную группу портов. Параметр `groupid` определяет набор защищенных портов. Ключевое слово `name` указывает имя группы, подлежащей удалению.

**Формат:** `no switchport protected groupid name`

**Режим ввода команд:** глобальная конфигурация



### ***switchport protected (режим конфигурирования интерфейса)***

Используйте данную команду, чтобы добавить интерфейс к группе защищенных портов. Параметр *groupid* определяет набор защищенных портов, к которым подключается интерфейс. Только один интерфейс может быть настроен как защищенный в одной группе.



**Защита портов происходит в рамках одного коммутатора. Конфигурация защищенного порта не влияет на трафик между портами двух разных коммутаторов. Между двумя защищенными портами переадресация трафика невозможна.**

**Значение по умолчанию:** не защищен  
**Формат:** `switchport protected groupid`  
**Режим ввода команд:** конфигурирование интерфейса

### ***no switchport protected (режим конфигурирования интерфейса)***

Команда настраивает порт как незащищенный. Параметр *groupid* определяет набор защищенных портов, к которым подключается интерфейс.

**Формат:** `no switchport protected groupid`  
**Режим ввода команд:** конфигурирование интерфейса

### ***show switchport protected***

Эта команда отображает статус всех интерфейсов, включая защищенные и незащищенные.

**Формат:** `show switchport protected groupid`  
**Режим ввода команд:** привилегированный  
пользовательский

<i>Термин</i>	<i>Значение</i>
<b>Group ID</b>	Номер, обозначающий защищенную группу портов.
<b>Name</b>	Необязательное название группы защищенных портов. Имя может включать до 32 буквенно-цифровых символов, включая пробелы. Значение по умолчанию: пустая строка.
<b>List of Physical Ports</b>	Список портов, которые настроены как защищенные для группы, определенной параметром <i>groupid</i> . Если в этой группе ни один порт не настроен как защищенный, поле пустое.

### ***show interfaces switchport***

Данная команда отображает статус интерфейса (защищенный/незащищенный) для группы, определенной параметром *groupid*.

**Формат:** `show interfaces switchport unit/slot/port groupid`  
**Режим ввода команд:** привилегированный  
пользовательский

<i>Термин</i>	<i>Значение</i>
<b>Name</b>	Строка, связанная с этой группой для удобства на-

	именования. Может содержать до 32 буквенно-цифровых символов, включая пробелы. Значение по умолчанию: пустая строка. Это необязательное поле.
<b>Protected</b>	Указывает, является ли интерфейс защищенным. Значения: TRUE или FALSE.

## 8.14 Команды настройки протокола GARP

Этот подраздел описывает команды, используемые для настройки протокола GARP (Generic Attribute Registration Protocol) и отображения статуса GARP. Команды этой части влияют и на GARP VLAN Registration Protocol (GVRP) и на GARP Multicast Registration Protocol (GMRP). GARP — это протокол, позволяющий станциям клиента регистрироваться на коммутаторе для участия в сетях VLAN (используя GVRP) или многоадресных группах (используя GMRP).

### *set garp timer join*

Эта команда устанавливает время регистрации GVRP каждого GARP для одного интерфейса, диапазона интерфейсов или всех интерфейсов. Время регистрации — это интервал между передачей Protocol Data Units (PDU) GARP, регистрирующих (или перерегистрирующих) членство для VLAN или группы многоадресной рассылки. Команда выполняется только тогда, когда GVRP включен. Значения времени — от 10 до 100 сантисекунд. 20 сантисекунд равны 0,2 секунды.

**Значение по умолчанию:** 20  
**Формат:** `set garp timer join 10-100`  
**Режим ввода команд:** конфигурирование интерфейса  
 глобальная конфигурация

### *no set garp timer join*

Данная команда устанавливает время регистрации GVRP в значение по умолчанию и действует только при включенном GVRP.

**Формат:** `no set garp timer join`  
**Режим ввода команд:** конфигурирование интерфейса  
 глобальная конфигурация

### *set garp timer leave*

Команда устанавливает время выхода GVRP для одного интерфейса, диапазона интерфейсов, всех интерфейсов или всех портов и действует только при включенном GVRP. Время выхода — это время ожидания после получения запроса об отмене регистрации в VLAN или в группе многоадресной рассылки, по истечении которого удаляется запись VLAN. Может считаться буферным временем для другой станции, чтобы она утвердила регистрацию для того же атрибута и обеспечила непрерывную работу сервиса. Значения времени выхода — от 20 до 600 сантисекунд. 60 сантисекунд равны 0,6 секунды. Время выхода должно быть равно утроенному времени регистрации либо превышать это значение.

**Значение по умолчанию:** 60  
**Формат:** `set garp timer leave 20-600`  
**Режим ввода команд:** конфигурирование интерфейса  
 глобальная конфигурация

### *no set garp timer leave*

Эта команда устанавливает время выхода GVRP в значение по умолчанию и действует только при включенном GVRP.

**Формат:** no set garp timer leave  
**Режим ввода команд:** конфигурирование интерфейса  
 глобальная конфигурация

### *set garp timer leaveall*

Данная команда устанавливает, как часто генерируются PDU Leave All. PDU Leave All указывает, что все регистрации будут удалены. Участникам необходимо выполнить повторное подключение, чтобы сохранить регистрацию. Значение применяется для каждого порта и каждого участия GARP. Значение времени — от 200 до 6000 сантисекунд. 1000 сантисекунд равны 10 секундам. Команда может применяться для всех портов (режим глобальной конфигурации), для одного порта или диапазона портов (режим конфигурирования интерфейса) и действует только при включенном GVRP. Значение времени leave all должно быть больше времени выхода.

**Значение по умолчанию:** 1000  
**Формат:** set garp timer leaveall 200-6000  
**Режим ввода команд:** конфигурирование интерфейса  
 глобальная конфигурация

### *no set garp timer leaveall*

Эта команда устанавливает частоту генерации PDU Leave All в значение по умолчанию и действует только при включенном GVRP.

**Формат:** no set garp timer leaveall  
**Режим ввода команд:** конфигурирование интерфейса  
 глобальная конфигурация

### *show garp*

Команда для отображения информации о GARP.

**Формат:** show garp  
**Режим ввода команд:** привилегированный  
 пользовательский

<i>Термин</i>	<i>Значение</i>
<b>GMRP Admin Mode</b>	Административный режим GARP Multicast Registration Protocol (GMRP) данной системы.
<b>GVRP Admin Mode</b>	Административный режим GARP VLAN Registration Protocol (GVRP) данной системы.

## 8.15 Команды настройки протокола GVRP

Эта часть описывает команды, используемые для настройки и отображения информации GVRP (GARP VLAN Registration Protocol). Коммутаторы с включенным GVRP обмениваются информацией о настройках VLAN, которая позволяет GVRP обеспечивать динамическое создание и удаление VLAN на магистральных портах.



Если GVRP выключен, система не переадресует GVRP-сообщения.

### *set gvrp adminmode*

Эта команда включает GVRP в системе.

**Значение по умолчанию:** выключено  
**Формат:** set gvrp adminmode  
**Режим ввода команд:** привилегированный

### *no set gvrp adminmode*

Данная команда выключает GVRP.

**Формат:** no set gvrp adminmode  
**Режим ввода команд:** привилегированный

### *set gvrp interfacemode*

Эта команда включает GVRP на одном порте (режим конфигурирования интерфейса), диапазоне портов (режим диапазона интерфейсов) или на всех портах (режим глобальной конфигурации).

**Значение по умолчанию:** выключено  
**Формат:** set gvrp interfacemode  
**Режим ввода команд:** конфигурирование интерфейса  
диапазон интерфейсов  
глобальная конфигурация

### *no set gvrp interfacemode*

Эта команда выключает GVRP на одном порте (режим конфигурирования интерфейса) или на всех портах (режим глобальной конфигурации). Если GVRP выключен, параметры Join Time, Leave Time и Leave All Time не действуют.

**Формат:** no set gvrp interfacemode  
**Режим ввода команд:** конфигурирование интерфейса  
глобальная конфигурация

### *show gvrp configuration*

Эта команда отображает информацию о GVRP для одного или всех интерфейсов.

**Формат:** show gvrp configuration {unit/slot/port | all}

Режим ввода команд: привилегированный  
пользовательский

<i>Термин</i>	<i>Значение</i>
<b>Interface</b>	unit/slot/port
<b>Join Timer</b>	Интервал между передачей PDU GARP, регистрирующих (или перерегистрирующих) членство для атрибута. Текущие атрибуты — группа многоадресной рассылки или VLAN. Для этого таймера существует экземпляр на каждый порт на основе участия каждого GARP. Возможные значения — от 10 до 100 сантисекунд (от 0,1 до 1,0 секунды). По умолчанию — 20 сантисекунд (0,2 секунды). Минимальная детализация — 1 сантисекунда (0,01 секунды).
<b>Leave Timer</b>	Время ожидания после получения запроса об отмене регистрации для атрибута, прежде чем удалить атрибут. Текущие атрибуты — группа многоадресной рассылки или VLAN. Может считаться буферным временем для другой станции, чтобы она утвердила регистрацию для того же атрибута и обеспечила непрерывную работу сервиса. Для этого таймера существует экземпляр на каждый порт на основе участия каждого GARP. Возможные значения — от 20 до 600 сантисекунд (от 0,2 до 6,0 секунды). По умолчанию — 60 сантисекунд (0,6 секунды).
<b>LeaveAll Timer</b>	Время Leave All определяет, как часто генерируются PDU LeaveAll. PDU LeaveAll указывает, что все регистрации скоро будут удалены. Участникам необходимо выполнить повторное подключение, чтобы сохранить регистрацию. Для этого таймера существует экземпляр на каждый порт на основе участия каждого GARP. Таймер Leave All установлен на случайное значение в пределах от LeaveAllTime до 1,5 LeaveAllTime. Возможные значения — от 200 до 6000 сантисекунд (от 2 до 60 секунды). По умолчанию — 1000 сантисекунд (10 секунды).
<b>Port GMRP Mode</b>	Административный режим GMRP порта, который может быть включен или выключен (по умолчанию). Если этот параметр выключен, параметры Join Time, Leave Time и Leave All Time не действуют.

### **show mac-address-table gmrp**

Данная команда отображает GMRP-записи в таблице коммутации многоадресной рассылки (MFDB).

**Формат:** show mac-address-table gmrp

**Режим ввода команд:** привилегированный

<i>Термин</i>	<i>Значение</i>
<b>VLAN ID</b>	VLAN, в которой был определен MAC-адрес.
<b>MAC Address</b>	Одноадресный MAC-адрес, для которого коммутатор переадресует или фильтрует данные. В формате шести двузначных номеров шестнадцатеричной сис-

	темы, разделенных двоеточиями, например: 01:23:45:67:89:AB.
<b>Type</b>	Тип записи. Статичные записи — записи, которые настраиваются конечным пользователем. Динамические добавляются в таблицу как результат процесса определения или протокола.
<b>Description</b>	Текстовое описание данной записи таблицы многоадресной коммутации.
<b>Interfaces</b>	Список интерфейсов, которые назначены для пересылки (Fwd:) и фильтрации (Flt:).

## 8.16 Команды настройки управления сетевым доступом на основе портов

Эта часть описывает команды, которые можно использовать для настройки управления доступом к сети на базе IEEE 802.1X. Управление доступом к сети на основе портов позволяет разрешать доступ к службам сети только устройствам, которые прошли авторизацию и аутентификацию.

### ***aaa authentication dot1x default***

Используйте эту команду, чтобы настроить на коммутаторе метод аутентификации для доступа на базе 802.1x. Дополнительные методы аутентификации используются только в случае получения сообщения об ошибке указанного метода, но не в случае ошибки аутентификации. Ниже перечислены возможные методы.

- **ias**. Использует для аутентификации базу данных внутреннего сервера аутентификации пользователей. Этот способ может использоваться вместе с любым уже существующим способом — **local**, **radius** и т. д.
- **local**. Использует для аутентификации локальную базу имен пользователей.
- **none**. Аутентификация не используется.
- **radius**. Использует для аутентификации список всех RADIUS-серверов.

**Формат:** `aaa authentication dot1x default {[ias]}[method1 [method2 [method3]]]`

**Режим ввода команд:** глобальная конфигурация

### ***clear dot1x statistics***

Эта команда сбрасывает статистику 802.1X для указанного порта или всех портов.

**Формат:** `clear dot1x statistics {unit/slot/port | all}`

**Режим ввода команд:** привилегированный

### ***clear dot1x authentication-history***

Эта команда очищает таблицу истории аутентификации, записанную во время успешных и неудачных аутентификаций на указанном интерфейсе или всех интерфейсах.

**Формат:** `clear dot1x authentication-history [unit/slot/port]`

**Режим ввода команд:** привилегированный

### ***clear radius statistics***

Данная команда очищает всю статистику RADIUS.

**Формат:** clear radius statistics

**Режим ввода команд:** привилегированный

### ***dot1x eapolflood***

Используйте эту команду, чтобы включить на коммутаторе поддержку потоков EAPOL.

**Значение по умолчанию:** выключено

**Формат:** dot1x eapolflood

**Режим ввода команд:** глобальная конфигурация

### ***no dot1x eapolflood***

Эта команда выключает потоки EAPOL на коммутаторе.

**Формат:** no dot1x eapolflood

**Режим ввода команд:** глобальная конфигурация

### ***dot1x dynamic-vlan enable***

Используйте эту команду, чтобы позволить коммутатору динамично создавать VLAN, не существующей на коммутаторе, на основе RADIUS авторизации.

**Значение по умолчанию:** выключено

**Формат:** dot1x dynamic-vlan enable

**Режим ввода команд:** глобальная конфигурация

### ***no dot1x dynamic-vlan enable***

Используйте эту команду, чтобы запретить коммутатору динамично создавать VLAN.

**Формат:** no dot1x dynamic-vlan enable

**Режим ввода команд:** глобальная конфигурация

### ***dot1x guest-vlan***

Данная команда настраивает гостевую VLAN на интерфейсе или диапазоне интерфейсов по стандарту IEEE 802.1X. Диапазон — от 1 до максимального значения идентификатора VLAN, поддерживаемого платформой.

**Значение по умолчанию:** выключено

**Формат:** dot1x guest-vlan *vlan-id*

**Режим ввода команд:** конфигурирование интерфейса

### ***no dot1x guest-vlan***

Эта команда выключает гостевую VLAN на интерфейсе.

**Значение по умолчанию:** выключено

**Формат:** no dot1x guest-vlan

**Режим ввода команд:** конфигурирование интерфейса

### ***dot1x initialize***

Команда начинает процедуру инициализации на указанном порте. Эта команда действительна только в случае, если режим управления для указанного порта автоматический или основан на MAC. Если это условие не выполнено, команда вернет ошибку.

**Формат:** `dot1x initialize unit/slot/port`

**Режим ввода команд:** привилегированный

### ***dot1x max-req***

Эта команда устанавливает максимальное число запросов аутентификации статуса устройства на интерфейсе или диапазоне интерфейсов с помощью EAPOL EAP Request/Identity. Значение count должно быть от 1 до 10.

**Значение по умолчанию:** 2

**Формат:** `dot1x max-req count`

**Режим ввода команд:** конфигурирование интерфейса

### ***no dot1x max-req***

Эта команда устанавливает максимальное число запросов аутентификации статуса устройства на интерфейсе или диапазоне интерфейсов с помощью EAPOL EAP Request/Identity к значению по умолчанию.

**Формат:** `no dot1x max-req`

**Режим ввода команд:** конфигурирование интерфейса

### ***dot1x max-users***

Используйте данную команду, чтобы установить максимальное количество клиентов, поддерживаемых интерфейсом или диапазоном интерфейсов, если на порте включена dot1x-аутентификация на основе MAC. Значение count — от 1 до 48.

**Значение по умолчанию:** 48

**Формат:** `dot1x max-users count`

**Режим ввода команд:** конфигурирование интерфейса

### ***no dot1x max-users***

Эта команда возвращает максимальное количество клиентов на каждый порт в значение по умолчанию.

**Формат:** `no dot1x max-users`

**Режим ввода команд:** конфигурирование интерфейса

### ***dot1x port-control***

Эта команда устанавливает режим аутентификации для использования на указанном интерфейсе или диапазоне интерфейсов. Используйте параметр *force-unauthorized*, чтобы RAE-



аутентификатор безоговорочно установил управляемый порт как неавторизованный. Используйте параметр `force-authorized`, чтобы RAE-аутентификатор установил управляемый порт как авторизованный. Используйте параметр `auto`, чтобы RAE-аутентификатор установил управляемый порт на основе результата обменов аутентификационными данными между клиентом, коммутатором и сервером аутентификации. Если указана опция `mac-based`, на порте включается dot1x-аутентификация на основе MAC.

**Значение по умолчанию:** auto

**Формат:** dot1x port-control {force-unauthorized | force-authorized | auto | mac-based}

**Режим ввода команд:** конфигурирование интерфейса

### *no dot1x port-control*

Данная команда устанавливает режим 802.1X-управления указанного порта в значение по умолчанию.

**Формат:** no dot1x port-control

**Режим ввода команд:** конфигурирование интерфейса

### *dot1x port-control all*

Эта команда устанавливает режим аутентификации для использования на всех портах. Выберите `force-unauthorized`, чтобы RAE-аутентификатор безоговорочно установил управляемый порт как неавторизованный. Выберите `force-authorized`, чтобы RAE-аутентификатор безоговорочно установил управляемый порт как авторизованный. Выберите `auto`, чтобы RAE-аутентификатор установил управляемый порт на основе результата обменов аутентификационными данными между клиентом, коммутатором и сервером аутентификации. Если указана опция `mac-based`, на порте включается dot1x-аутентификация на основе MAC.

**Значение по умолчанию:** auto

**Формат:** dot1x port-control all {force-unauthorized | force-authorized | auto | mac-based}

**Режим ввода команд:** глобальная конфигурация

### *no dot1x port-control all*

Эта команда возвращает режим аутентификации для всех портов в значение по умолчанию.

**Формат:** no dot1x port-control all

**Режим ввода команд:** глобальная конфигурация

### *dot1x mac-auth-bypass*

Если режим 802.1X на интерфейсе работает на основе MAC, можно использовать данную команду, чтобы включить на интерфейсе MAC Authentication Bypass (MAB). MAB — это дополнительный механизм аутентификации, который позволяет не распознающим 802.1X клиентам (таким как принтеры, факсы, а также некоторые IP-телефоны) аутентифицироваться в сети с помощью клиентского MAC-адреса в качестве идентификатора.

**Значение по умолчанию:** выключено

---

**Формат:** dot1x mac-auth-bypass  
**Режим ввода команд:** конфигурирование интерфейса

*no dot1x mac-auth-bypass*

Данная команда устанавливает режим МАВ на портах в значение по умолчанию.

**Формат:** no dot1x mac-auth-bypass  
**Режим ввода команд:** конфигурирование интерфейса

### ***dot1x re-authenticate***

Эта команда начинает процедуру повторной аутентификации на указанном порте. Данная команда действует только в случае, если режим управления для данного порта настроен как auto или mac-based. Если это условие не выполнено, команда вернет ошибку.

**Формат:** dot1x re-authenticate *unit/slot/port*  
**Режим ввода команд:** привилегированный

### ***dot1x re-authentication***

Эта команда включает повторную аутентификацию клиента для указанного интерфейса или диапазона интерфейсов.

**Значение по умолчанию:** выключено  
**Формат:** dot1x re-authentication  
**Режим ввода команд:** конфигурирование интерфейса

*no dot1x re-authentication*

Эта команда выключает повторную аутентификацию клиента для указанного порта.

**Формат:** no dot1x re-authentication  
**Режим ввода команд:** конфигурирование интерфейса

### ***dot1x system-auth-control***

Используйте данную команду, чтобы запустить dot1x-аутентификацию на коммутаторе. В выключенном состоянии конфигурация dot1x сохраняется и может быть изменена, но не является активной.

**Значение по умолчанию:** выключено  
**Формат:** dot1x system-auth-control  
**Режим ввода команд:** глобальная конфигурация

*no dot1x system-auth-control*

Эта команда используется для выключения поддержки dot1x-аутентификации на коммутаторе.

**Формат:** no dot1x system-auth-control  
**Режим ввода команд:** глобальная конфигурация

### ***dot1x system-auth-control monitor***

Используйте данную команду, чтобы включить режим мониторинга 802.1X на коммутаторе. Задача режима мониторинга — помочь в решении проблем, связанных с конфигурацией аутентификации на базе портов без прерывания доступа к сети хостов, подключенных к коммутатору. В режиме мониторинга у хоста есть сетевой доступ к порту с включенным 802.1X, даже если он не прошел аутентификацию. Результаты процесса записываются в целях диагностики.

**Значение по умолчанию:** выключено  
**Формат:** dot1x system-auth-control monitor  
**Режим ввода команд:** глобальная конфигурация

### ***no dot1x system-auth-control monitor***

Эта команда выключает на коммутаторе режим мониторинга 802.1X.

**Формат:** no dot1x system-auth-control monitor  
**Режим ввода команд:** глобальная конфигурация

### ***dot1x timeout***

Данная команда устанавливает значение таймера в секундах, который используется Dot1x на интерфейсе или диапазоне интерфейсов. В зависимости от используемого таймера и прошедшего времени (в секундах) устанавливаются различные настраиваемые параметры времени жизни. Поддерживается настройка следующих таймеров.

<b><i>Таймер</i></b>	<b><i>Значение</i></b>
<b>guest-vlan- period</b>	Время в секундах, которое аутентификатор ждет поступления на порт EAPOL-пакетов, прежде чем авторизовать порт и поместить его в гостевую VLAN (если настроена). Таймер гостевой VLAN применим только в случае, если на данном порте настроена гостевая VLAN.
<b>reauth-period</b>	Значение в секундах для таймера, используемого аутентификатором состояния на данном порте для определения, когда будет происходить повторная аутентификация запрашивающего. Значение должно быть в диапазоне от 1 до 65535.
<b>quiet-period</b>	Значение в секундах для таймера, используемого аутентификатором состояния на данном порте для того, чтобы определить периоды времени, в которые он не будет пытаться искать запрашивающего. Это значение должно быть в диапазоне от 0 до 65535.
<b>tx-period</b>	Значение в секундах для таймера, используемого аутентификатором состояния на данном порте для того, чтобы определить, когда отсылать кадр EAPOL EAP Request/Identity запрашивающему. Это значение должно быть в диапазоне от 1 до 65535.
<b>supp-timeout</b>	Значение в секундах для таймера, используемого аутентификатором состояния на данном порте для того, чтобы определить время жизни записи для запрашивающего. Значение должно быть в диапазоне

	от 1 до 65535.
<b>server-timeout</b>	Значение в секундах для таймера, используемого аутентификатором состояния на данном порте для того, чтобы определить время жизни записи для сервера аутентификации. Значение должно быть в диапазоне от 1 до 65535.

**Значение по умолчанию:** guest-vlan-period: 90 секунд  
reauth-period: 3600 секунд  
quiet-period: 60 секунд  
tx-period: 30 секунд  
supp-timeout: 30 секунд  
server-timeout: 30 секунд

**Формат:** dot1x timeout {{guest-vlan-period seconds} | {reauth-period seconds} | {quiet-period seconds} | {tx-period seconds} | {supp-timeout seconds} | {server-timeout seconds}}

**Режим ввода команд:** конфигурирование интерфейса

#### *no dot1x timeout*

Эта команда устанавливает значение времени (в секундах) для таймера, используемого аутентификатором состояния на данном порте, в значение по умолчанию. В зависимости от используемого токена устанавливаются соответствующие значения по умолчанию.

**Формат:** no dot1x timeout {guest-vlan-period | reauth-period | quiet-period | tx-period | supp-timeout | server-timeout}

**Режим ввода команд:** конфигурирование интерфейса

#### ***dot1x unauthenticated-vlan***

Используйте эту команду, чтобы настроить неаутентифицированную VLAN, связанную с указанным интерфейсом или диапазоном интерфейсов. Идентификатор неаутентифицированной VLAN может быть действительным идентификатором VLAN из в диапазоне от 0 до максимального поддерживаемого значения. Для работы неаутентифицированная VLAN должна быть настроена статично в базе данных VLAN. По умолчанию неаутентифицированная VLAN обозначена как 0, т. е. недействительна и не работает.

**Значение по умолчанию:** 0

**Формат:** dot1x unauthenticated-vlan *vlan id*

**Режим ввода команд:** конфигурирование интерфейса

#### *no dot1x unauthenticated-vlan*

Данная команда устанавливает неаутентифицированную VLAN, связанную с портом, в значение по умолчанию.

**Формат:** no dot1x unauthenticated-vlan

**Режим ввода команд:** конфигурирование интерфейса

### ***dot1x user***

Эта команда добавляет указанного пользователя в список пользователей, имеющих доступ к указанному порту или всем портам. Параметр *user* должен быть настроенным пользователем.

**Формат:** `dot1x user user {unit/slot/port | all}`

**Режим ввода команд:** глобальная конфигурация

### ***no dot1x user***

Эта команда удаляет пользователя из списка пользователей, имеющих доступ к указанному порту или всем портам.

**Формат:** `no dot1x user user {unit/slot/port | all}`

**Режим ввода команд:** глобальная конфигурация

### ***authentication enable***

Эта команда глобально включает диспетчер аутентификации. Конфигурация интерфейса будет действовать только в случае, если диспетчер аутентификации включен с помощью этой команды.

**Значение по умолчанию:** выключено

**Формат:** `authentication enable`

**Режим ввода команд:** глобальная конфигурация

### ***no authentication enable***

Эта команда выключает диспетчер аутентификации.

**Формат:** `no authentication enable`

**Режим ввода команд:** глобальная конфигурация

### ***authentication order***

Эта команда устанавливает порядок способов аутентификации, используемых на порте. Доступные способы аутентификации: Dot1x, MAB и captive portal. Порядок устанавливает последовательность способов, которые коммутатор будет пытаться применить при аутентификации нового устройства, подключенного к порту. Если способ не завершился успехом или был просрочен, применяется следующий способ.

Каждый способ может быть введен только один раз. Установить порядок можно только для 802.1x и MAB. Captive portal может быть настроен как единственный метод или как последний способ в очереди.

**Формат:** `authentication order {dot1x [mab [captive-portal] | captive-portal] | mab [dot1x [captive-portal] | captive-portal] | captive-portal}`

**Режим ввода команд:** конфигурирование интерфейса

### ***no authentication order***

Эта команда возвращает порт к порядку способов аутентификации по умолчанию.

**Формат:** no authentication order  
**Режим ввода команд:** конфигурирование интерфейса

### ***authentication priority***

Эта команда устанавливает приоритет способов аутентификации, используемых на порте. Доступные способы аутентификации: Dot1x, MAB и captive portal. Приоритет аутентификации определяет, будет ли прежде аутентифицированный клиент проходить повторную аутентификацию с помощью способа с более высоким приоритетом, когда таковой получен. Captive portal всегда находится последним в списке способов.

**Значение по умолчанию:** authentication order dot1x mab captive portal  
**Формат:** authentication priority {dot1x [mab [captive portal] | captive portal] | mab [dot1x [captive portal] | captive portal] | captive portal}  
**Режим ввода команд:** конфигурирование интерфейса

### ***no authentication priority***

Эта команда возвращает порт к настройкам приоритета способов аутентификации по умолчанию.

**Формат:** no authentication priority  
**Режим ввода команд:** конфигурирование интерфейса

### ***authentication timer restart***

Данная команда устанавливает время в секундах, после которого начинается повторная аутентификация. (Значение по умолчанию — 300 секунд.) Таймер начинает повторную аутентификацию только после того, как все способы аутентификации завершились неудачей. По истечении времени таймера для порта запускается повторная аутентификация.

**Формат:** authentication timer restart <300-65535>  
**Режим ввода команд:** конфигурирование интерфейса

### ***no authentication timer restart***

Эта команда устанавливает время повторной аутентификации в значение по умолчанию — 3600 секунд.

**Формат:** no authentication timer restart  
**Режим ввода команд:** конфигурирование интерфейса

### ***show authentication authentication-history***

Используйте эту команду, чтобы отобразить данные истории аутентификации для определенного интерфейса.

**Формат:** show authentication authentication-history *unit/slot/port*  
**Режим ввода команд:** привилегированный

Для каждого интерфейса отображается следующая информация.

<i>Термин</i>	<i>Значение</i>
<b>Time Stamp</b>	Время аутентификации.
<b>Interface</b>	Интерфейс.
<b>MAC-Address</b>	MAC-адрес интерфейса.
<b>Auth Status Method</b>	Способ аутентификации и его статус для интерфейса.

### ***show authentication interface***

Используйте данную команду, чтобы отобразить информацию о способах аутентификации для всех интерфейсов либо для указанного порта.

**Формат:** `show authentication interface {all | unit/slot/port }`

**Режим ввода команд:** привилегированный

Для каждого интерфейса отображается следующая информация.

<i>Термин</i>	<i>Значение</i>
<b>Interface</b>	Интерфейс, для которого отображается конфигурация аутентификации.
<b>Authentication Restart timer</b>	Время в секундах, по прошествии которого начинается повторная аутентификация.
<b>Configured method order</b>	Порядок способов аутентификации, настроенный на порте.
<b>Enabled method order</b>	Порядок способов аутентификации, используемый на порте.
<b>Configured method priority</b>	Приоритет способов аутентификации, настроенный на порте.
<b>Enabled method priority</b>	Приоритет способов аутентификации, используемый на порте.
<b>Number of authenticated clients</b>	Количество аутентифицированных клиентов.
<b>Logical Interface</b>	Логический интерфейс.
<b>Client MAC addr</b>	MAC-адрес клиента.
<b>Authenticated Method</b>	Текущий способ аутентификации.
<b>Auth State</b>	Была ли аутентификация успешной.
<b>Auth Status</b>	Текущий статус аутентификации.

<i>Термин</i>	<i>Значение</i>
<b>Authentication Login List</b>	Название списка аутентификации подключения.
<b>Method 1</b>	Первый метод в указанном списке входной аутентификации, если имеется.
<b>Method 2</b>	Второй метод в указанном списке входной аутентификации, если имеется.
<b>Method 3</b>	Третий метод в указанном списке входной аутентификации, если имеется.

### ***show authentication statistics***

Используйте данную команду, чтобы отобразить статистику аутентификации для интерфейса.

**Формат:** `show authentication statistics unit/slot/port`

**Режим ввода команд:** привилегированный

Для каждого интерфейса отображается следующая информация.

### ***show authentication methods***

Команда отображает информацию о способах аутентификации.

**Формат:** `show authentication methods`

**Режим ввода команд:** привилегированный

<i>Термин</i>	<i>Значение</i>
<b>Authentication Login List</b>	Название списка аутентификации подключения.
<b>Method 1</b>	Первый метод в указанном списке входной аутентификации, если имеется.
<b>Method 2</b>	Второй метод в указанном списке входной аутентификации, если имеется.
<b>Method 3</b>	Третий метод в указанном списке входной аутентификации, если имеется.

### ***show authentication statistics***

Используйте данную команду, чтобы отобразить статистику аутентификации для интерфейса.

**Формат:** `show authentication statistics unit/slot/port`

**Режим ввода команд:** привилегированный

Для каждого интерфейса отображается следующая информация.

<i>Термин</i>	<i>Значение</i>
<b>Port</b>	Порт, для которого отображается информация.
<b>802.1X attempts</b>	Количество попыток аутентификации Dot1x на порте.
<b>802.1X failed attempts</b>	Количество неудавшихся попыток аутентификации Dot1x на порте.
<b>Mab attempts</b>	Количество попыток аутентификации MAB (MAC authentication bypass) на порте.
<b>Mab failed attempts</b>	Количество неудавшихся попыток аутентификации MAB на порте.
<b>Captive-portal attempts</b>	Количество попыток аутентификации с помощью captive portal (веб-авторизация).
<b>Captive-portal failed attempts</b>	Количество неудавшихся попыток аутентификации с помощью captive portal.

### ***clear authentication statistics***

Используйте данную команду, чтобы очистить статистику аутентификации на интерфейсе.

**Формат:** `clear authentication authentication-history {unit/slot/port} | all`

**Режим ввода команд:** привилегированный



## **clear authentication authentication-history**

Используйте данную команду, чтобы очистить журнал истории аутентификации для интерфейса.

**Формат:** `clear authentication authentication-history {unit/slot/port | all}`

**Режим ввода команд:** привилегированный

## **show dot1x**

Эта команда используется для того, чтобы отобразить сводную информацию глобальной конфигурации dot1x, сводную информацию конфигурации dot1x для указанного порта или всех портов, подробную информацию конфигурации dot1x для указанного порта и статистику dot1x для указанного порта.

**Формат:** `show dot1x [{summary {unit/slot/port | all} | detail unit/slot/port | statistics unit/ slot/port}]`

**Режим ввода команд:** привилегированный

Если не использовать необязательные параметры unit/slot/port или vlanid, команда отобразит параметры Global dot1x mode, VLAN Assignment mode и Dynamic VLAN Creation mode.

<b>Термин</b>	<b>Значение</b>
<b>Administrative Mode</b>	Показывает, включен ли на коммутаторе режим управления аутентификацией.
<b>VLAN Assignment Mode</b>	Показывает, разрешено назначение авторизованного порта к VLAN, назначенной RADIUS (enabled) или нет (disabled).
<b>Dynamic VLAN Creation Mode</b>	Показывает, может ли коммутатор динамически создавать VLAN, связанную с RADIUS, если таковая еще не существует на коммутаторе.
<b>Monitor Mode</b>	Показывает, включен ли на коммутаторе режим мониторинга Dot1x.

Если использовать необязательный параметр summary {unit/slot/port | all}, отображаются все настройки dot1x для указанного порта или всех портов.

<b>Термин</b>	<b>Значение</b>
<b>Interface</b>	Интерфейс, для которого отображается конфигурация.
<b>Control Mode</b>	Настроенный режим управления для данного порта. Возможные значения: force-unauthorized   force-authorized   auto   mac-based   authorized   unauthorized.
<b>Operating Control Mode</b>	Текущий режим управления, с которым работает порт. Возможные значения: authorized   unauthorized.
<b>Reauthentication Enabled</b>	Показывает, включена ли на данном порте повторная аутентификация.
<b>Port Status</b>	Показывает, авторизован ли порт. Возможные значения: authorized   unauthorized.

Если использовать необязательный параметр detail unit/slot/port, отображаются подробные настройки dot1x для указанного порта.

<b>Термин</b>	<b>Значение</b>
<b>Port</b>	Интерфейс, для которого отображается конфигурация.
<b>Protocol Version</b>	Версия протокола, связанная с данным портом. Единственное возможное значение — 1, соответствующее первой версии спецификации dot1x.
<b>PAE Capabilities</b>	PAE-функциональность данного порта. Возможные значения: Authenticator или Supplicant.
<b>Control Mode</b>	Настроенный режим управления для данного порта. Возможные значения: force-unauthorized   force-authorized   auto   mac-based.
<b>Authenticator PAE State</b>	Текущий статус PAE-состояния аутентификатора. Возможные значения: Initialize, Disconnected, Connecting, Authenticating, Authenticated, Aborting, Held, ForceAuthorized и ForceUnauthorized. Если на порте включена MAC-аутентификация, этот параметр становится устаревшим.
<b>Backend Authentication State</b>	Текущий статус серверного аутентификатора. Возможные значения: Request, Response, Success, Fail, Timeout, Idle и Initialize. Если на порте включена MAC-аутентификация, этот параметр становится устаревшим.
<b>Quiet Period</b>	Таймер, используемый аутентификатором состояния на данном порте для того, чтобы определить периоды времени, в которые он не будет пытаться искать запрашивающего. Значение выражается в секундах в диапазоне от 0 до 65535.
<b>Transmit Period</b>	Таймер, используемый аутентификатором статуса на указанном порте для определения времени, когда он будет посылать кадры EAPOL EAP Request/Identity запрашивающему. Значение выражается в секундах в диапазоне от 1 до 65535.
<b>Guest-VLAN ID</b>	Идентификатор гостевой VLAN, настроенной на интерфейсе.
<b>Guest VLAN Period</b>	Время в секундах, в течение которого аутентификатор ждет поступления на порт EAPOL-пакетов, прежде чем поместить порт в гостевую VLAN.
<b>Supplicant Timeout</b>	Таймер, используемый аутентификатором статуса на данном порте для того, чтобы определить время жизни записи запрашивающего. Значение выражается в секундах в диапазоне от 1 до 65535.
<b>Server Timeout</b>	Таймер, используемый аутентификатором статуса на данном порте для того, чтобы определить время жизни записи сервера аутентификации. Значение выражается в секундах в диапазоне от 1 до 65535.
<b>Maximum Requests</b>	Максимальное количество раз, которое устройство аутентификации статуса на данном порте будет повторять передачу кадра EAPOL EAP Request/Identity до прекращения передачи. Значение будет в диапазоне от 1 до 10.
<b>Configured MAB Mode</b>	Административный режим функции MAC authentication bypass на коммутаторе.

<b>Operational MAB Mode</b>	Рабочий режим функции MAC authentication bypass на коммутаторе. MAB может быть административно включена, но не функционировать, если действует режим управления не на основе MAC.
<b>Vlan-ID</b>	VLAN, назначенная порту сервером RADIUS. Действительно только в том случае, если действует режим управления порта не на основе MAC.
<b>VLAN Assigned Reason</b>	Причина, по которой VLAN идентифицируемая в поле VLAN-assigned, была назначена порту. Возможные значения: RADIUS, Unauthenticated VLAN, Guest VLAN, default, или Not Assigned. Если причина указана как Not Assigned, это означает, что dot1x не назначал порту никаких VLAN. Действительно только в том случае, если действует режим управления порта не на основе MAC.
<b>Reauthentication Period</b>	Таймер, используемый идентификатором статуса данного порта, чтобы определить, когда происходит повторная аутентификация запрашивающего. Значение выражается в секундах в диапазоне от 1 до 65535.
<b>Reauthentication Enabled</b>	Показывает, включена ли повторная аутентификация на данном порте. Возможные значения: True или False.
<b>Key Transmission Enabled</b>	Показывает, передается ли ключ запрашивающему на указанном порте. Возможные значения: True или False.
<b>EAPOL Flood Mode Enabled</b>	Показывает, включена ли поддержка потоков EAPOL на коммутаторе. Возможные значения: True или False.
<b>Control Direction</b>	Направление контроля для указанного порта или портов. Возможные значения: both или in.
<b>Maximum Users</b>	Максимальное количество клиентов, которые могут быть аутентифицированы на порте в режиме dot1x-аутентификации на базе MAC. Это значение используется только в том случае, если действует режим управления порта не на основе MAC.
<b>Unauthenticated VLAN ID</b>	Указывает неаутентифицированные VLAN, настроенные для данного порта. Это значение действительно для порта только в том случае, если действует режим управления порта не на основе MAC.
<b>Session Timeout</b>	Указывает время, в течение которого данная сессия является действительной. Период времени в секундах возвращается RADIUS-сервером после аутентификации порта. Это значение действительно для порта только в том случае, если действует режим управления порта не на основе MAC.
<b>Session Termination Action</b>	Указывает действие, выполняемое по истечении времени сессии. Возможные значения: Default и Radius-Request. Default обозначает, что сессия прекращается и порт возвращается в неавторизованное состояние. При значении Radius-Request на данном порте выполняется повторная аутентификация клиента. Это значение действительно для порта только в том случае, если действует режим управления порта

	не на основе MAC.
--	-------------------

Для каждого клиента, аутентифицированного на порте, команда `show dot1x detail unit/slot/port` отобразит следующие параметры dot1x на основе MAC, если действует режим управления указанного порта на основе MAC.

<b>Термин</b>	<b>Значение</b>
<b>Supplicant MAC Address</b>	MAC-адрес запрашивающего.
<b>Authenticator PAE State</b>	Текущий статус PAE-состояния аутентификатора. Возможные значения: Initialize, Disconnected, Connecting, Authenticating, Authenticated, Aborting, Held, ForceAuthorized и ForceUnauthorized.
<b>Backend Authentication State</b>	Текущий статус серверного аутентификатора. Возможные значения: Request, Response, Success, Fail, Timeout, Idle и Initialize.
<b>VLAN-Assigned</b>	VLAN, назначенный клиенту сервером RADIUS.
<b>Logical Port</b>	Номер логического порта, назначенного клиенту.

Если использовать необязательный параметр `statistics unit/slot/port`, появится следующая статистика dot1x для указанного порта.

<b>Термин</b>	<b>Значение</b>
<b>Port</b>	Интерфейс, для которого отображается статистика.
<b>EAPOL Frames Received</b>	Количество действительных EAPOL-кадров любого типа, полученных данным аутентификатором.
<b>EAPOL Frames Transmitted</b>	Количество EAPOL-кадров любого типа, переданных данным аутентификатором.
<b>EAPOL Start Frames Received</b>	Количество EAPOL-кадров типа start, полученных данным аутентификатором.
<b>EAPOL Logoff Frames Received</b>	Количество EAPOL-кадров типа logoff, полученных данным аутентификатором.
<b>Last EAPOL Frame Version</b>	Номер версии протокола, присутствующий в последнем полученном EAPOL-кадре.
<b>Last EAPOL Frame Source</b>	MAC-адрес источника, присутствующий в последнем полученном EAPOL-кадре.
<b>EAP Response/ Id Frames Received</b>	Количество EAP-кадров типа response/identity, полученных данным аутентификатором.
<b>EAP Response Frames Received</b>	Количество действительных EAP-кадров типа response (помимо response/identity), полученных данным аутентификатором.
<b>EAP Request/Id Frames Transmitted</b>	Количество EAP-кадров типа request/identity, переданных данным аутентификатором.
<b>EAP Request Frames Transmitted</b>	Количество EAP-кадров типа request (помимо request/identity), переданных данным аутентификатором.
<b>Invalid EAPOL Frames Received</b>	Количество EAPOL-кадров с нераспознанным типом кадра, полученных данным аутентификатором.
<b>EAP Length Error Frames Received</b>	Количество EAPOL-кадров с нераспознанным типом кадра, полученных данным аутентификатором.

### **show dot1x authentication-history**

Эта команда отображает события аутентификации 802.1X и информацию успешных и неудачных процессов аутентификации Dot1x для всех интерфейсов или определенного интерфейса. Используйте необязательные ключевые слова, чтобы кратко или подробно отобразить только неудачные события аутентификации.

**Формат:** `show dot1x authentication-history {unit/slot/port | all} [failed-auth-only] [detail]`

**Режим ввода команд:** привилегированный

<b>Термин</b>	<b>Значение</b>
<b>Time Stamp</b>	Точное время события.
<b>Interface</b>	Физический порт, на котором произошло событие.
<b>Mac-Address</b>	MAC-адрес запрашивающего/клиента.
<b>VLAN assigned</b>	VLAN, назначенная клиенту/порту аутентификации.
<b>VLAN assigned Reason</b>	Тип назначенного идентификатора VLAN; может иметь значения Guest VLAN, Unauth, Default, RADIUS Assigned или Monitor Mode VLAN ID.
<b>Auth Status</b>	Статус аутентификации.
<b>Reason</b>	Фактическая причина успешной или неудачной аутентификации.

### **show dot1x clients**

Данная команда отображает информацию 802.1X-клиента. Эта команда также отображает информацию о количестве клиентов, которые прошли аутентификацию с помощью режима мониторинга и применения 802.1X.

**Формат:** `show dot1x clients {unit/slot/port | all}`

**Режим ввода команд:** привилегированный

<b>Термин</b>	<b>Значение</b>
<b>Clients Authenticated using Monitor Mode</b>	Указывает количество dot1x-клиентов, аутентифицированных с помощью режима мониторинга.
<b>Clients Authenticated using Dot1x</b>	Указывает количество dot1x-клиентов, аутентифицированных с помощью процесса аутентификации 802.1X.
<b>Logical Interface</b>	Номер логического порта, назначенного клиенту.
<b>Interface</b>	Физический порт, с которым связан запрашивающий.
<b>User Name</b>	Имя пользователя, используемое клиентом для аутентификации на сервере.
<b>Supplicant MAC Address</b>	MAC-адрес запрашивающего устройства.
<b>Session Time</b>	Время с момента входа запрашивающего.
<b>Filter ID</b>	Указывает идентификатор фильтра, возвращающийся на RADIUS-сервер, когда клиент аутентифицируется. Является настраиваемым именем политики DiffServ на коммутаторе.
<b>VLAN ID</b>	VLAN, назначенная порту.

<b>VLAN Assigned</b>	Причина, по которой указанная в поле VLAN ID сеть VLAN была назначена порту. Возможные значения: RADIUS, Unauthenticated VLAN, Monitor Mode или Default. Default означает, что VLAN назначена порту по причине того, что P-VID порта совпал с идентификатором VLAN.
<b>Session Timeout</b>	Это значение указывает время действия сессии. Период времени в секундах возвращается RADIUS-сервером после аутентификации порта. Это значение действительно для порта только в том случае, если действует режим управления порта не на основе MAC.
<b>Session Termination Action</b>	Указывает действие, выполняемое по истечении времени сессии. Возможные значения: Default и Radius-Request. Default обозначает, что сессия прекращается и данные клиента удаляются. При значении Radius-Request, на данном порте выполняется повторная аутентификация клиента.

### **show dot1x users**

Данная команда отображает информацию о защите 802.1X-порта для локально настроенных пользователей.

**Формат:** `show dot1x users unit/slot/port`

**Режим ввода команд:** привилегированный

<i>Термин</i>	<i>Значение</i>
<b>Users</b>	Пользователи, локально настроенные для получения доступа к указанному порту.

## **8.17 Команды клиента 802.1X**

Система поддерживает функционал клиента 802.1X (dot1x) на портах типа «точка-точка». Администратор может настроить имя пользователя и пароль, используемые для аутентификации.

### **dot1x pae**

Эта команда устанавливает dot1x-роль порта. Порт может быть клиентом либо аутентификатором.

**Формат:** `dot1x pae {supplicant | authenticator}`

**Режим ввода команд:** конфигурирование интерфейса

### **dot1x supplicant port-control**

Эта команда устанавливает статус авторизации порта (Authorized или Unauthorized) вручную или с помощью настройки порта на автоматическую авторизацию при запуске. По умолчанию все порты — аутентификаторы. Если атрибут порта необходимо сменить в направлении <authenticator to supplicant> или <supplicant to authenticator>, используйте эту команду.

**Формат:** `dot1x supplicant port-control {auto | force-authorized | force_unauthorized}`

**Режим ввода команд:** конфигурирование интерфейса

<i>Термин</i>	<i>Значение</i>
<b>auto</b>	Порт находится в неавторизованном статусе до тех пор, пока он не предоставит свое имя пользователя и пароль аутентификатору. Если аутентификатор авторизует порт, порт переходит в авторизованный статус.
<b>force-authorized</b>	Устанавливает статус авторизации порта в значение Authorized, обходя процесс аутентификации.
<b>force-unauthorized</b>	Устанавливает статус авторизации порта в значение Unauthorized, обходя процесс аутентификации.

### *no dot1x supplicant port-control*

Эта команда устанавливает режим контроля порта в значение по умолчанию (автоматический).

**Значение по умолчанию:** auto

**Формат:** no dot1x supplicant port-control

**Режим ввода команд:** конфигурирование интерфейса

### *dot1x supplicant max-start*

Данная команда настраивает количество попыток поиска аутентификатора, которые предпринимаются запрашивающим до того, как он предположит, что аутентификатора не существует.

**Значение по умолчанию:** 3

**Формат:** dot1x supplicant max-start <1-10>

**Режим ввода команд:** конфигурирование интерфейса

### *no dot1x supplicant max-start*

Эта команда устанавливает значение количества попыток max-start в значение по умолчанию.

**Формат:** no dot1x supplicant max-start

**Режим ввода команд:** конфигурирование интерфейса

### *dot1x supplicant timeout start-period*

Данная команда настраивает интервал таймера начального периода ожидания от аутентификатора запроса идентификации EAP.

**Значение по умолчанию:** 30 секунд

**Формат:** dot1x supplicant timeout start-period <1-65535 seconds>

**Режим ввода команд:** конфигурирование интерфейса

### *no dot1x supplicant timeout start-period*

Эта команда устанавливает start-period в значение по умолчанию.

**Формат:** no dot1x supplicant timeout start-period

**Режим ввода команд:** конфигурирование интерфейса

### ***dot1x supplicant timeout held-period***

Эта команда настраивает интервал таймера удержания для ожидания следующей аутентификации после неудачной попытки.

**Значение по умолчанию:** 60 секунд

**Формат:** dot1x supplicant timeout held-period <1-65535 seconds>

**Режим ввода команд:** конфигурирование интерфейса

### ***no dot1x supplicant timeout held-period***

Эта команда устанавливает held-period в значение по умолчанию.

**Формат:** no dot1x supplicant timeout held-period

**Режим ввода команд:** конфигурирование интерфейса

### ***dot1x supplicant timeout auth-period***

Эта команда настраивает интервал таймера аутентификации для ожидания следующего EAP-запроса от аутентификатора.

**Значение по умолчанию:** 30 секунд

**Формат:** dot1x supplicant timeout auth-period <1-65535 seconds>

**Режим ввода команд:** конфигурирование интерфейса

### ***no dot1x supplicant timeout auth-period***

Эта команда устанавливает auth-period в значение по умолчанию.

**Формат:** no dot1x supplicant timeout auth-period

**Режим ввода команд:** конфигурирование интерфейса

### ***dot1x supplicant user***

Используйте данную команду, чтобы привязать пользователя к порту.

**Формат:** dot1x supplicant user

**Режим ввода команд:** конфигурирование интерфейса

### ***show dot1x statistics***

Данная команда отображает подробную статистику dot1x-порта.

**Формат:** show dot1x statistics slot/port

**Режим ввода команд:** привилегированный  
пользовательский

<i>Термин</i>	<i>Значение</i>
<b>EAPOL Frames Received</b>	Отображает количество действительных EAPOL-кадров, полученных портом.
<b>EAPOL Frames Transmitted</b>	Отображает количество EAPOL-кадров, переданных через порт.
<b>EAPOL Start Frames Transmitted</b>	Отображает количество EAPOL-кадров типа Start,



	переданных через порт.
<b>EAPOL Logoff Frames Received</b>	Отображает количество EAPOL-кадров типа Log off, полученных портом.
<b>EAP Resp/ID Frames Received</b>	Отображает количество EAP-кадров типа Respond ID, полученных портом.
<b>EAP Response Frames Received</b>	Отображает количество действительных EAP-кадров типа Respond, полученных портом.
<b>EAP Req/ID Frames Transmitted</b>	Отображает количество EAP-кадров типа Requested ID, переданных через порт.
<b>EAP Req Frames Transmitted</b>	Отображает количество EAP-кадров типа Request, переданных через порт.
<b>Invalid EAPOL Frames Received</b>	Отображает количество нераспознанных EAPOL-кадров, полученных данным
<b>EAP Length Error Frames Received</b>	Отображает количество EAPOL-кадров с неверной длиной содержимого пакета, полученных данным портом.
<b>Last EAPOL Frames Version</b>	Отображает номер версии протокола, связанного с последним полученным EAPOL-кадром.
<b>Last EAPOL Frames Source</b>	Отображает MAC-адрес источника, связанный с последним полученным EAPOL-кадром.

## 8.18 Авторизация на основе задач

Авторизация на основе задач позволяет установить пользователям разные уровни доступа (read, write, execute, debug) на уровне каждого компонента. Авторизация на основе задач использует понятие компонентов/задач для того, чтобы определить разрешенные команды для конкретного пользователя.

Пользователи назначаются в группы пользователей, которые, в свою очередь, связываются с группами задач. Каждая группа задач связывается с одним или несколькими компонентами/задачами. Данная версия поддерживает компоненты AAA, BGP и OSPF. Данная функция также поддерживается только для пользователей, которые были локально аутентифицированы через интерфейс CLI.

### *usergroup*

Эта команда создает группу пользователей с указанным именем и входит в режим конфигурирования групп пользователей.

**Формат:** `usergroup usergroup-name`

**Режим ввода команд:** глобальная конфигурация

### *no usergroup*

Команда удаляет группу пользователей с указанным именем.

**Формат:** `no usergroup usergroup-name`

**Режим ввода команд:** глобальная конфигурация

### ***taskgroup***

Данная команда создает группу задач с указанным именем и входит в режим конфигурирования групп задач.

**Формат:** `taskgroup taskgroup-name`

**Режим ввода команд:** глобальная конфигурация

### ***no taskgroup***

Команда удаляет группу задач с указанным именем.

**Формат:** `no taskgroup taskgroup-name`

**Режим ввода команд:** глобальная конфигурация

### ***username usergroup***

Данная команда назначает указанного пользователя в определенную группу пользователей.

**Формат:** `username <username> usergroup usergroup-name`

**Режим ввода команд:** глобальная конфигурация

### ***no username usergroup***

Эта команда удаляет пользователя из указанной группы пользователей.

**Формат:** `no usergroup usergroup-name`

**Режим ввода команд:** глобальная конфигурация

### ***description (режим настройки групп пользователей)***

Данная команда добавляет группе пользователей описание.

**Формат:** `description description`

**Режим ввода команд:** настройка групп пользователей

### ***no description (режим настройки групп пользователей)***

Команда удаляет описание группы пользователей.

**Формат:** `no description`

**Режим ввода команд:** настройка групп пользователей

### ***inherit usergroup***

Данная команда устанавливает родительскую группу для текущей группы пользователей. Эта группа пользователей наследует права доступа указанной родительской группы.

**Формат:** `inherit usergroup usergroup-name`

**Режим ввода команд:** настройка групп пользователей

### ***no inherit usergroup***

Команда удаляет связь текущей группы пользователей с родительской группой.

**Формат:** no inherit usergroup *usergroup-name*

**Режим ввода команд:** настройка групп пользователей

### ***taskgroup (режим настройки групп пользователей)***

Эта команда связывает группу пользователей с указанной группой задач.

**Формат:** taskgroup *taskgroup-name*

**Режим ввода команд:** настройка групп пользователей

### ***no taskgroup (режим настройки групп пользователей)***

Эта команда удаляет связь группы пользователей с группой задач.

**Формат:** no taskgroup *taskgroup-name*

**Режим ввода команд:** настройка групп пользователей

### ***description (режим настройки групп задач)***

Данная команда добавляет описание группы задач.

**Формат:** description *description*

**Режим ввода команд:** настройка групп задач

### ***no description (режим настройки групп задач)***

Команда удаляет описание группы задач.

**Формат:** no description

**Режим ввода команд:** настройка групп задач

### ***inherit taskgroup***

Эта команда устанавливает родительскую группу задач для текущей группы задач. Эта группа задач наследует права доступа указанной родительской группы.

**Формат:** inherit taskgroup *taskgroup-name*

**Режим ввода команд:** настройка групп задач

### ***no inherit taskgroup***

Команда удаляет связь текущей группы задач с родительской группой.

**Формат:** no inherit taskgroup *taskgroup-name*

**Режим ввода команд:** настройка групп задач

### ***task [read] [write] [debug] [execute]***

Данная команда связывает группу задач с набором разрешений для задач.

**Значение по умолчанию:** разрешений нет

**Формат:** task [read] [write] [debug] [execute] {aaa | ospf | bgp}

**Режим ввода команд:** настройка групп задач

*no task {aaa | ospf | bgp}*

Эта команда удаляет связи для указанной задачи.

**Формат:** no task {aaa | ospf | bgp}

**Режим ввода команд:** настройка групп задач

### ***show aaa usergroup***

Эта команда отображает список групп пользователей и их настройки.

**Формат:** show aaa usergroup [*usergroup-name*]

**Режим ввода команд:** привилегированный

### ***show aaa taskgroup***

Данная команда отображает список групп задач и их настройки.

**Формат:** show aaa taskgroup [*taskgroup-name*]

**Режим ввода команд:** привилегированный

### ***show aaa userdb***

Команда отображает список пользователей и список групп пользователей, в которых они участвуют.

**Формат:** show aaa userdb [*username*]

**Режим ввода команд:** привилегированный

## **8.19 Команды настройки контроля шторма**

Эта часть описывает команды, используемые для настройки контроля шторма и просмотра информации о конфигурации контроля шторма. Трафик-шторм — это состояние, когда входящие пакеты переполняют LAN, что приводит к ухудшению производительности сети. Функция контроля шторма защищает сеть от этого состояния.

Система обеспечивает контроль широковещательного, многоадресного и одноадресного шторма для отдельных интерфейсов. Одноадресный контроль шторма защищает от трафика, MAC-адреса которого не знакомы системе. Для широковещательного, многоадресного и одноадресного контроля шторма трафик отбрасывается в случае, если скорость входящего трафика возрастает выше настроенного для данного типа порога.

Для настройки контроля шторма необходимо включить эту функцию для всех интерфейсов или отдельных интерфейсов и установить пороговое значение (уровень контроля шторма), при превышении которого широковещательный, многоадресный и одноадресный трафик будет отбрасываться. Функция контроля шторма позволяет ограничивать скорость указанных типов пакетов через коммутатор на основе каждого порта и каждого типа.

Выключение уровня контроля шторма (с помощью по-форм команд) устанавливает уровень контроля шторма в значение по умолчанию. Используя по-форму команды storm-control (без указания level), можно выключить форму контроля шторма, но сохранить при этом настроенный уровень (чтобы активировать в следующий раз, когда контроль шторма будет включен).



Действительная скорость входящего трафика, необходимая для активации контроля шторма, основывается на размере входящих пакетов, и для расчета скорости rps (пакет/сек) используется жестко установленный средний размер пакета в 512 байт, в то время как плоскость передачи данных требует rps в отношении к абсолютной скорости в кбит/сек. Например, если настроено ограничение 10%, оно конвертируется в ~25000 rps, и этот лимит rps устанавливается на уровне передачи данных (в аппаратном обеспечении). В итоге вы получите приблизительный желаемый результат при использовании пакетов размером в 512 байт.

### ***storm-control broadcast***

Используйте данную команду, чтобы включить функцию контроля широковещательного шторма для всех интерфейсов (режим глобальной конфигурации) или для одного или нескольких интерфейсов (режим конфигурирования интерфейса). Если режим включен, контроль широковещательного шторма активирован, и когда скорость входящего широковещательного трафика второго уровня превысит настроенное пороговое значение, трафик будет отброшен. Следовательно, скорость широковещательного трафика будет ограничена в соответствии с настроенным порогом.

**Значение по умолчанию:** выключено  
**Формат:** storm-control broadcast  
**Режим ввода команд:** глобальная конфигурация  
 конфигурирование интерфейса

### ***no storm-control broadcast***

Команда используется, чтобы выключить режим контроль широковещательного шторма для всех интерфейсов (режим глобальной конфигурации) или для одного или нескольких интерфейсов (режим конфигурирования интерфейса).

**Формат:** no storm-control broadcast  
**Режим ввода команд:** глобальная конфигурация  
 конфигурирование интерфейса

### ***storm-control broadcast action***

Эта команда настраивает действие контроля широковещательного шторма как shutdown или trap для всех интерфейсов (режим глобальной конфигурации) или для одного или нескольких интерфейсов (режим конфигурирования интерфейса). Если настроено значение shutdown, интерфейс, получающий широковещательные пакеты со скоростью, превышающей пороговое значение, переходит в состояние errdisable. Если настроено значение trap, интерфейс отправляет трап-сообщения примерно каждые 30 секунд, пока контроль широковещательного шторма восстанавливается.

**Значение по умолчанию:** отсутствует  
**Формат:** storm-control broadcast action {shutdown | trap}  
**Режим ввода команд:** глобальная конфигурация  
 конфигурирование интерфейса

### *no storm-control broadcast action*

Эта команда устанавливает действие контроля широковещательного шторма в значение по умолчанию для всех интерфейсов (режим глобальной конфигурации) или для одного или нескольких интерфейсов (режим конфигурирования интерфейса).

**Формат:** `no storm-control broadcast action`

**Режим ввода команд:** глобальная конфигурация  
конфигурирование интерфейса

### *storm-control broadcast level*

Используйте данную команду, чтобы настроить пороговое значение скорости широковещательного шторма для всех интерфейсов (режим глобальной конфигурации) или для одного или нескольких интерфейсов (режим конфигурирования интерфейса) как процент от скорости соединения и включить контроль широковещательного шторма. Если режим включен, контроль широковещательного шторма запущен, и если скорость входящего широковещательного трафика второго уровня превысит настроенное пороговое значение, трафик будет отброшен. Следовательно, скорость широковещательного трафика будет ограничена в соответствии с настроенным пороговым значением.

**Значение по умолчанию:** 5

**Формат:** `storm-control broadcast level 0-100`

**Режим ввода команд:** глобальная конфигурация  
конфигурирование интерфейса

### *no storm-control broadcast level*

Эта команда устанавливает порог контроля широковещательного шторма в значение по умолчанию для всех интерфейсов (режим глобальной конфигурации) или для одного или нескольких интерфейсов (режим конфигурирования интерфейса), а также выключает контроль широковещательного шторма.

**Формат:** `no storm-control broadcast level`

**Режим ввода команд:** глобальная конфигурация  
конфигурирование интерфейса

### *storm-control broadcast rate*

Используйте данную команду для настройки порога скорости широковещательного шторма для всех интерфейсов (режим глобальной конфигурации) или для одного или нескольких интерфейсов (режим конфигурирования интерфейса) в пакетах в секунду. Если режим включен, контроль широковещательного шторма запущен, и если скорость входящего широковещательного трафика второго уровня превысит настроенное пороговое значение, трафик будет отброшен. Следовательно, скорость широковещательного трафика будет ограничена в соответствии с настроенным пороговым значением.

**Значение по умолчанию:** 0

**Формат:** `storm-control broadcast rate 0-33554431`

**Режим ввода команд:** глобальная конфигурация  
конфигурирование интерфейса

### *no storm-control broadcast rate*

Эта команда устанавливает порог скорости широковещательного шторма в значение по умолчанию для всех интерфейсов (режим глобальной конфигурации) или для одного или нескольких интерфейсов (режим конфигурирования интерфейса), а также выключает контроль широковещательного шторма.

**Формат:** `no storm-control broadcast rate`

**Режим ввода команд:** глобальная конфигурация  
конфигурирование интерфейса

### *storm-control multicast*

Данная команда включает режим контроля многоадресного шторма для всех интерфейсов (режим глобальной конфигурации) или для одного или нескольких интерфейсов (режим конфигурирования интерфейса). Если режим включен, контроль многоадресного шторма запущен, и если скорость входящего многоадресного трафика второго уровня превысит настроенное пороговое значение, трафик будет отброшен. Следовательно, скорость многоадресного трафика будет ограничена в соответствии с настроенным пороговым значением.

**Значение по умолчанию:** выключено

**Формат:** `storm-control multicast`

**Режим ввода команд:** глобальная конфигурация  
конфигурирование интерфейса

### *no storm-control multicast*

Данная команда выключает режим контроля многоадресного шторма для всех интерфейсов (режим глобальной конфигурации) или для одного или нескольких интерфейсов (режим конфигурирования интерфейса).

**Формат:** `no storm-control multicast`

**Режим ввода команд:** глобальная конфигурация  
конфигурирование интерфейса

### *storm-control multicast action*

Эта команда настраивает действие контроля многоадресного шторма как shutdown или trap для всех интерфейсов (режим глобальной конфигурации) или для одного или нескольких интерфейсов (режим конфигурирования интерфейса). Если настроено значение shutdown, интерфейс, получающий многоадресные пакеты со скоростью, превышающей пороговое значение, переходит в состояние errdisable. Если настроено значение trap, интерфейс отправляет трап-сообщения примерно каждые 30 секунд, пока контроль многоадресного шторма восстанавливается.

**Значение по умолчанию:** отсутствует

**Формат:** `storm-control multicast action {shutdown | trap}`

**Режим ввода команд:** глобальная конфигурация  
конфигурирование интерфейса

### *no storm-control multicast action*

Эта команда устанавливает действие контроля многоадресного шторма в значение по умолчанию для всех интерфейсов (режим глобальной конфигурации) или для одного или нескольких интерфейсов (режим конфигурирования интерфейса).

**Формат:** `no storm-control multicast action`

**Режим ввода команд:** глобальная конфигурация  
конфигурирование интерфейса

### *storm-control multicast level*

Используйте эту команду, чтобы настроить пороговое значение скорости многоадресного шторма для всех интерфейсов (режим глобальной конфигурации) или для одного или нескольких интерфейсов (режим конфигурирования интерфейса) как процент от скорости соединения и включить контроль многоадресного шторма. Если режим включен, контроль многоадресного шторма запущен, и если скорость входящего многоадресного трафика второго уровня превысит настроенное пороговое значение, трафик будет отброшен. Следовательно, скорость многоадресного трафика будет ограничена в соответствии с настроенным пороговым значением.

**Значение по умолчанию:** 5

**Формат:** `storm-control multicast level 0-100`

**Режим ввода команд:** глобальная конфигурация  
конфигурирование интерфейса

### *no storm-control multicast level*

Эта команда устанавливает порог скорости многоадресного шторма в значение по умолчанию для всех интерфейсов (режим глобальной конфигурации) или для одного или нескольких интерфейсов (режим конфигурирования интерфейса), а также выключает восстановление после многоадресного шторма.

**Формат:** `no storm-control multicast level 0-100`

**Режим ввода команд:** глобальная конфигурация  
конфигурирование интерфейса

### *storm-control multicast rate*

Используйте данную команду для настройки порога скорости многоадресного шторма для всех интерфейсов (режим глобальной конфигурации) или для одного или нескольких интерфейсов (режим конфигурирования интерфейса) в пакетах в секунду. Если режим включен, контроль многоадресного шторма запущен, и если скорость входящего многоадресного трафика второго уровня превысит настроенное пороговое значение, трафик будет отброшен. Следовательно, скорость многоадресного трафика будет ограничена в соответствии с настроенным пороговым значением.

**Значение по умолчанию:** 0

**Формат:** `storm-control multicast rate 0-33554431`

**Режим ввода команд:** глобальная конфигурация  
конфигурирование интерфейса



### *no storm-control multicast rate*

Эта команда устанавливает порог скорости многоадресного шторма в значение по умолчанию для всех интерфейсов (режим глобальной конфигурации) или для одного или нескольких интерфейсов (режим конфигурирования интерфейса), а также выключает восстановление после многоадресного шторма.

**Формат:** `no storm-control multicast rate`

**Режим ввода команд:** глобальная конфигурация  
конфигурирование интерфейса

### *storm-control unicast*

Данная команда включает режим контроля одноадресного шторма для всех интерфейсов (режим глобальной конфигурации) или для одного или нескольких интерфейсов (режим конфигурирования интерфейса). Если режим включен, контроль одноадресного шторма запущен, и если скорость входящего на интерфейс неизвестного (отказ поиска пункта назначения) одноадресного трафика второго уровня превысит настроенное пороговое значение, трафик будет сброшен. Следовательно, скорость неизвестного одноадресного трафика будет ограничена в соответствии с настроенным пороговым значением.

**Значение по умолчанию:** выключено

**Формат:** `storm-control unicast`

**Режим ввода команд:** глобальная конфигурация  
конфигурирование интерфейса

### *no storm-control unicast*

Данная команда выключает режим контроля одноадресного шторма для всех интерфейсов (режим глобальной конфигурации) или для одного или нескольких интерфейсов (режим конфигурирования интерфейса).

**Формат:** `no storm-control unicast`

**Режим ввода команд:** глобальная конфигурация  
конфигурирование интерфейса

### *storm-control unicast action*

Эта команда настраивает действие контроля одноадресного шторма как shutdown или trap для всех интерфейсов (режим глобальной конфигурации) или для одного или нескольких интерфейсов (режим конфигурирования интерфейса). Если настроено значение shutdown, интерфейс, получающий одноадресные пакеты со скоростью, превышающей пороговое значение, переходит в состояние errdisable. Если настроено значение trap, интерфейс отправляет trap-сообщения примерно каждые 30 секунд, пока контроль одноадресного шторма восстанавливается.

**Значение по умолчанию:** отсутствует

**Формат:** `storm-control unicast action {shutdown | trap}`

**Режим ввода команд:** глобальная конфигурация  
конфигурирование интерфейса

### *no storm-control unicast action*

Эта команда устанавливает действие контроля одноадресного шторма в значение по умолчанию для всех интерфейсов (режим глобальной конфигурации) или для одного или нескольких интерфейсов (режим конфигурирования интерфейса).

**Формат:** `no storm-control unicast action`

**Режим ввода команд:** глобальная конфигурация  
конфигурирование интерфейса

### *storm-control unicast level*

Используйте данную команду, чтобы настроить порог скорости одноадресного шторма для всех интерфейсов (режим глобальной конфигурации) или для одного или нескольких интерфейсов (режим конфигурирования интерфейса) как процент от скорости соединения и включить контроль одноадресного шторма. Если режим включен, контроль одноадресного шторма запущен, и если скорость входящего на интерфейс неизвестного одноадресного трафика второго уровня превысит настроенное пороговое значение, трафик будет сброшен. Следовательно, скорость неизвестного одноадресного трафика будет ограничена в соответствии с настроенным пороговым значением.

**Значение по умолчанию:** 5

**Формат:** `storm-control unicast level 0-100`

**Режим ввода команд:** глобальная конфигурация  
конфигурирование интерфейса

### *no storm-control unicast level*

Эта команда устанавливает порог скорости одноадресного шторма для всех интерфейсов (режим глобальной конфигурации) или для одного или нескольких интерфейсов (режим конфигурирования интерфейса) в значение по умолчанию и выключает контроль одноадресного шторма.

**Формат:** `no storm-control unicast level`

**Режим ввода команд:** глобальная конфигурация  
конфигурирование интерфейса

### *storm-control unicast rate*

Используйте данную команду для настройки порога скорости одноадресного шторма для всех интерфейсов (режим глобальной конфигурации) или для одного или нескольких интерфейсов (режим конфигурирования интерфейса) в пакетах в секунду. Если режим включен, контроль одноадресного шторма запущен, и если скорость входящего одноадресного трафика второго уровня превысит настроенное пороговое значение, трафик будет отброшен. Следовательно, скорость одноадресного трафика будет ограничена в соответствии с настроенным пороговым значением.

**Значение по умолчанию:** 0

**Формат:** `storm-control unicast rate 0-33554431`

**Режим ввода команд:** глобальная конфигурация  
конфигурирование интерфейса

### *no storm-control unicast rate*

Эта команда устанавливает порог скорости одноадресного шторма для всех интерфейсов (режим глобальной конфигурации) или для одного или нескольких интерфейсов (режим конфигурирования интерфейса) в значение по умолчанию и выключает контроль одноадресного шторма.

**Формат:** `no storm-control unicast rate`

**Режим ввода команд:** глобальная конфигурация  
конфигурирование интерфейса

### *show storm-control*

Команда отображает информацию о конфигурации контроля шторма коммутатора. Если вы не используете необязательные параметры, эта команда отобразит глобальные параметры конфигурации контроля шторма.

Используйте ключевое слово *all*, чтобы отобразить параметры конфигурации для каждого интерфейса, или укажите *unit/slot/port*, чтобы отобразить информацию для определенного интерфейса.

**Формат:** `show storm-control [all | unit/slot/port]`

**Режим ввода команд:** привилегированный

<i>Термин</i>	<i>Значение</i>
<b>Bcast Mode</b>	Показывает, включен ли режим контроля широко-вещательного шторма. Заводская настройка: disabled.
<b>Bcast Level</b>	Уровень контроля широковещательного шторма.
<b>Mcast Mode</b>	Показывает, включен ли режим контроля многоадресного шторма.
<b>Mcast Level</b>	Уровень контроля многоадресного шторма.
<b>Ucast Mode</b>	Показывает, включен ли режим контроля одноадресного шторма или DLF-шторма (Destination Lookup Failure).
<b>Ucast Level</b>	Уровень контроля одноадресного шторма или DLF-шторма.

## 8.20 Команды настройки установления зависимости состояния соединений

В этой части описаны команды, используемые для настройки зависимости соединений. Зависимости соединений позволяют статусу соединения указанных портов зависеть от статуса соединения других портов. Как следствие, если порт, от которого зависят остальные порты, потеряет соединение, зависимые порты административно выключаются или административно включаются для того, чтобы соединения зависимых портов соответственно сбрасывались или восстанавливались.

### *no link state track*

Данная команда удаляет опции зависимости соединений для выбранного идентификатора группы.

**Формат:** `no link state track group-id`

**Режим ввода команд:** глобальная конфигурация

### ***link state group***

Используйте эту команду, чтобы установить, должны ли расположенные ниже по порядку интерфейсы повторять или инвертировать статус интерфейсов, находящихся выше. Настройка по умолчанию для группы — `down` (т. е. все интерфейсы ниже по порядку будут повторять статус соединения выше по порядку, если все интерфейсы выше выключены). Настройка `up` значит, что интерфейсы, находящиеся ниже по порядку, будут работать, когда все интерфейсы выше будут выключены.

**Значение по умолчанию:** `Down`

**Формат:** `link state group group-id action {up | down}`

**Режим ввода команд:** глобальная конфигурация

### ***no link state group***

Используйте данную команду, чтобы установить статус соединения для группы в значение по умолчанию.

**Формат:** `no link state group group-id action`

**Режим ввода команд:** глобальная конфигурация

### ***link state group downstream***

Используйте эту команду, чтобы добавить интерфейсы в список интерфейсов, находящихся ниже по порядку. Добавление интерфейса в такой список перемещает интерфейс ниже по порядку, пока в группу не добавляется интерфейс выше. Статус соединения следует интерфейсу, указанному в команде `upstream`. Чтобы избежать выключения интерфейсов, необходимо ввести команду `upstream` до ввода команды `downstream`.

**Формат:** `link state group group-id downstream`

**Режим ввода команд:** конфигурирование интерфейса

### ***no link state group downstream***

Используйте данную команду, чтобы удалить выбранный интерфейс из списка интерфейсов ниже по порядку.

**Формат:** `no link state group group-id downstream`

**Режим ввода команд:** конфигурирование интерфейса

### ***link state group upstream***

Используйте эту команду для добавления интерфейсов в список интерфейсов, находящихся выше по порядку. Стоит отметить, что интерфейс, определенный как находящийся выше по порядку, может быть также определен как находящийся ниже в той же самой группе статуса соединения или же в другой группе статуса соединения, если одна из этих конфигураций создает круговую зависимость между группами.

**Формат:** `link state group group-id upstream`

**Режим ввода команд:** конфигурирование интерфейса

### *no link state group upstream*

Команда удаляет выбранный интерфейс из списка интерфейсов выше по порядку.

**Формат:** `no link state group group-id upstream`

**Режим ввода команд:** конфигурирование интерфейса

### ***show link state group***

Используйте данную команду, чтобы отобразить состояние настроенных групп зависимых соединений или указанной группы.

**Формат:** `show link state group group-id`

**Режим ввода команд:** привилегированный

### ***show link state group detail***

Используйте данную команду для отображения подробной информации о состоянии интерфейсов выше или ниже по порядку для указанной группы зависимых соединений. Group Transitions — это счетчик событий, когда интерфейс ниже по порядку переходил в состояние action в результате изменения статуса интерфейса выше.

**Формат:** `show link state group group-id detail`

**Режим ввода команд:** привилегированный

## **8.21 Команды настройки LLPF**

Link Local Protocol Filtering (LLPF) позволяет коммутатору фильтровать PDU проприетарных протоколов, таких как Port Aggregation Protocol (PAgP), если с проприетарными протоколами, запущенными на стандартных коммутаторах, возникают проблемы. Если PDU определенного протокола приводят к непредсказуемым результатам, LLPF может быть включен для того, чтобы коммутатор не обрабатывал PDU этого протокола.

### ***llpf***

Используйте эту команду, чтобы блокировать LLPF протокол/протоколы на порте.

**Значение по умолчанию:** включено для параметра blockudld; выключено для остальных.

**Формат:** `llpf {blockisdp | blockvtp | blockdtp | blockudld | blockpagp | blocksstp | blockall}`

**Режим ввода команд:** конфигурирование интерфейса

### *no llpf*

Команда для разблокирования LLPF протокола/протоколов на порте.

**Формат:** `no llpf {blockisdp | blockvtp | blockdtp | blockudld | blockpagp | blocksstp | blockall }`

**Режим ввода команд:** конфигурирование интерфейса

### ***show llpf interface***

Команда для отображения статуса правил LLPF, настроенных для определенного порта или всех портов.

**Формат:** `show llpf interface [all | unit/slot/port]`

Режим ввода команд: привилегированный

<i>Термин</i>	<i>Значение</i>
<b>Block ISDP</b>	Показывает, блокирует ли порт PDU ISDP.
<b>Block VTP</b>	Показывает, блокирует ли порт PDU VTP.
<b>Block DTP</b>	Показывает, блокирует ли порт PDU DTP.
<b>Block UDLD</b>	Показывает, блокирует ли порт PDU UDLD.
<b>Block PAGP</b>	Показывает, блокирует ли порт PDU PAGP.
<b>Block SSTP</b>	Показывает, блокирует ли порт PDU SSTP.
<b>Block All</b>	Показывает, блокирует ли порт все проприетарные PDU, доступные для функции LLPF.

## 8.22 Команды настройки MVR

В этой части перечислены команды настройки Multicast VLAN Registration (MVR).

### *mvr*

Используйте эту команду, чтобы включить MVR. По умолчанию MVR выключен.

**Значение по умолчанию:** выключено  
**Формат:** mvr  
**Режим ввода команд:** конфигурирование интерфейса, глобальная конфигурация

### *no mvr*

Эта команда выключает MVR.

**Формат:** no mvr  
**Режим ввода команд:** конфигурирование интерфейса, глобальная конфигурация

### *mvr group*

Команда добавляет принадлежность к группе MVR.

**Формат:** mvr group  
**Режим ввода команд:** глобальная конфигурация

### *no mvr group*

Используйте эту команду, чтобы выключить принадлежность к группе MVR.

**Формат:** no mvr group  
**Режим ввода команд:** глобальная конфигурация

### *mvr immediate*

Используйте эту команду, чтобы включить режим MVR Immediate Leave. Если интерфейс настроен как порт-источник, режим MVR Immediate Leave включить нельзя. По умолчанию этот режим выключен.

**Значение по умолчанию:** выключено

---

**Формат:** `mvr immediate`  
**Режим ввода команд:** конфигурирование интерфейса

#### *no mvr immediate*

Используйте эту команду, чтобы выключить режим MVR Immediate Leave.

**Формат:** `mvrn immediate`  
**Режим ввода команд:** конфигурирование интерфейса

#### *mvr mode*

Команда используется, чтобы установить тип режима MVR. Тип режима по умолчанию — `compatible`.

**Формат:** `mvr mode [compatible | dynamic]`  
**Режим ввода команд:** глобальная конфигурация

#### *no mvr mode*

Используйте эту команду, чтобы установить тип режима MVR в значение по умолчанию (`compatible`).

**Формат:** `no mvr mode`  
**Режим ввода команд:** глобальная конфигурация

#### *mvr querytime*

Используйте данную команду, чтобы установить время отклика на MVR-запрос в десятых долях секунды. Время запроса — это максимальное время ожидания отчета об IGMP-членстве на порте принимающего устройства, прежде чем удалить порт из группы многоадресного вещания. Время запроса применяется только к принимающим портам и указывается в десятых долях секунды. Значение по умолчанию — 5.

**Формат:** `mvr querytime 1-100`  
**Режим ввода команд:** глобальная конфигурация

#### *no mvr querytime*

Данная команда устанавливает время отклика на запрос в значение по умолчанию.

**Формат:** `no mvr querytime`  
**Режим ввода команд:** глобальная конфигурация

#### *mvr type*

Используйте данную команду, чтобы установить тип MVR-порта. По умолчанию тип порта отсутствует.

**Формат:** `mvr type [receiver | source]`  
**Режим ввода команд:** конфигурирование интерфейса

---

### *no mvr type*

Используйте данную команду, чтобы сбросить тип MVR-порта в значение по умолчанию.

**Формат:** no mvr type  
**Режим ввода команд:** конфигурирование интерфейса

### *mvr vlan*

Используйте эту команду, чтобы установить MVR VLAN.

**Значение по умолчанию:** 1  
**Формат:** mvr vlan 1-4093  
**Режим ввода команд:** глобальная конфигурация

### *no mvr vlan*

Команда устанавливает MVR VLAN в значение по умолчанию.

**Формат:** no mvr vlan  
**Режим ввода команд:** глобальная конфигурация

### *mvr vlan group*

Используйте эту команду, чтобы добавить порт в определенную MVR-группу. Значение по умолчанию отсутствует.

**Формат:** mvr vlan *mVlan* group *A.B.C.D.*  
**Режим ввода команд:** конфигурирование интерфейса

### *no mvr vlan group*

Команда удаляет порт из определенной MVR-группы.

**Формат:** no mvr vlan *mVlan* group *A.B.C.D.*  
**Режим ввода команд:** конфигурирование интерфейса

### *show mvr*

Команда для отображения глобальных настроек MVR.

**Формат:** show mvr  
**Режим ввода команд:** привилегированный

### *show mvr members*

Используйте эту команду, чтобы отобразить распределенные MVR-группы.

**Формат:** show mvr members [*A.B.C.D.*]  
**Режим ввода команд:** привилегированный



### ***show mvr interface***

Данная команда отображает конфигурацию интерфейсов с включенным MVR.

**Формат:** `show mvr interface [interface-id [members [vlan vLan-id]]]`

**Режим ввода команд:** привилегированный

### ***show mvr traffic***

Используйте эту команду, чтобы отобразить глобальную статистику MVR.

**Формат:** `show mvr traffic`

**Режим ввода команд:** привилегированный

### ***debug mvr trace***

Команда для включения трассировки отладки MVR. Значение по умолчанию — выключено.

**Формат:** `debug mvr trace`

**Режим ввода команд:** привилегированный

### ***no debug mvr trace***

Используйте эту команду, чтобы выключить трассировку отладки MVR.

**Формат:** `no debug mvr trace`

**Режим ввода команд:** привилегированный

### ***debug mvr packet***

Используйте эту команду, чтобы включить трассировку отладки приема/передачи MVR-пакетов. Если команда выполняется без указания аргументов, включается отладка пакетов и приема, и передачи. Значение по умолчанию — включено.

**Формат:** `debug mvr packet [receive | transmit]`

**Режим ввода команд:** привилегированный

### ***no debug mvr packet***

Используйте эту команду, чтобы выключить трассировку отладки приема/передачи MVR-пакетов.

**Формат:** `no debug mvr packet [receive | transmit]`

**Режим ввода команд:** привилегированный

## **8.23 Команды настройки агрегированного интерфейса (802.3ad)**

Данная часть описывает команды для настройки агрегированных интерфейсов, или link aggregation group (LAG), определение которых дается в спецификации 802.3ad. Агрегация интерфейсов позволяет совмещать несколько полнодуплексных соединений Ethernet в одно логическое соединение. Устройства сети воспринимают LAG как одиночное соединение, что повышает отказоустойчивость и обеспечивает распределение нагрузки. Функция LAG первоначально загружает общий трафик на основании MAC-адреса источника и места назначения. После создания канала агрегированного интерфейса необходимо назначить канал порта (LAG)

участником VLAN. Если этого не сделать, канал порта может стать участником управляющей VLAN, что может привести к проблемам при определении и коммутации.

LAG-интерфейс может быть статичным или динамичным. Все участники LAG-интерфейса должны использовать одинаковые протоколы. Статичный LAG-интерфейс не требует от партнерской системы возможности объединить свои порты.



**Если настроить максимальное количество LAG-интерфейсов для данной платформы, настраиваемые дополнительные порт-каналы автоматически будут статичными.**

### ***port-channel***

Данная команда настраивает новый агрегированный интерфейс и генерирует для него логический номер *unit/slot/port*. Поле name field является строкой и может состоять из буквенных символов и тире. Используйте команду `show port channel` для отображения значения *unit/slot/port* для логического интерфейса. Вместо параметра *unit/slot/port* можно использовать `lag lag-intf-num` как альтернативный вариант определения LAG-интерфейса. Параметр `lag lag-intf-num` можно использовать для определения конкретного LAG-интерфейса, при этом значение *lag-intf-num* должно указывать номер порта LAG.



**Перед тем, как добавлять порт в агрегированный интерфейс, необходимо установить его в физический режим. Подробнее см. в описании команды `speed` на стр. 427.**

**Формат:** `port-channel name`

**Режим ввода команд:** глобальная конфигурация

### ***addport***

Эта команда добавляет один порт к агрегированному интерфейсу. Первый интерфейс — это логический номер *unit/slot/port* настроенного агрегированного интерфейса. Можно добавить диапазон портов, указав диапазон портов при входе в режим конфигурирования интерфейса, например `interface 1/0/1-1/0/4`. Вместо параметра *unit/slot/port* можно использовать `lag lag-intf-num` как альтернативный вариант определения LAG-интерфейса. Параметр `lag lag-intf-num` можно использовать для определения конкретного LAG-интерфейса, при этом значение *lag-intf-num* должно указывать номер порта LAG.



**Если настроить максимальное количество LAG-интерфейсов для данной платформы, настраиваемые дополнительные порт-каналы автоматически будут статичными.**

**Формат:** `addport logical unit/slot/port`

**Режим ввода команд:** конфигурирование интерфейса

### ***deleteport (режим конфигурирования интерфейса)***

Эта команда удаляет порт или диапазон портов из агрегированного интерфейса. Интерфейс — это логический номер *unit/slot/port* настроенного агрегированного интерфейса (или диапазона LAG). Вместо параметра *unit/slot/port* можно использовать `lag lag-intf-num` как альтернативный вариант определения LAG-интерфейса. Параметр `lag lag-intf-num` также можно использовать для определения конкретного LAG-интерфейса, при этом значение *lag-intf-num* должно указывать номер порта LAG.

**Формат:** `deleteport logical unit/slot/port`

**Режим ввода команд:** конфигурирование интерфейса

## ***deleteport (Global Config)***

Эта команда удаляет все настроенные порты из LAG-интерфейса. Интерфейс — это логический номер *unit/slot/port* настроенного агрегированного интерфейса. Вместо параметра *unit/slot/port* можно использовать *lag lag-intf-num* как альтернативный вариант определения LAG-интерфейса. Параметр *lag lag-intf-num* можно использовать для определения конкретного LAG-интерфейса, при этом значение *lag-intf-num* должно указывать номер порта LAG.

**Формат:** `deleteport {logical unit/slot/port | all}`

**Режим ввода команд:** глобальная конфигурация

### ***lasp admin key***

Команда настраивает административное значение ключа для агрегированного интерфейса. Диапазон значений *key* — от 0 до 65535. Данная команда может использоваться для настройки одного интерфейса или диапазона интерфейсов.

**Значение по умолчанию:** 0x8000

**Формат:** `lasp admin key key`

**Режим ввода команд:** конфигурирование интерфейса



**Данная команда применима только на агрегированных интерфейсах.**

### ***no lasp admin key***

Используйте эту команду, чтобы установить административное значение ключа для агрегированного интерфейса в значение по умолчанию.

**Формат:** `no lasp admin key`

**Режим ввода команд:** конфигурирование интерфейса

### ***lasp collector max-delay***

Команда позволяет настроить максимальную задержку коллектора агрегированного интерфейса. Эта команда может использоваться для настройки одного интерфейса или диапазона интерфейсов. Диапазон действительных значений параметра *delay* — от 0 до 65535.

**Значение по умолчанию:** 0x8000

**Формат:** `lasp collector max delay delay`

**Режим ввода команд:** конфигурирование интерфейса



**Данная команда применима только на агрегированных интерфейсах.**

### ***no lasp collector max delay***

Используйте эту команду, чтобы установить максимальную задержку коллектора агрегированного интерфейса в значение по умолчанию.

**Формат:** `no lasp collector max delay`

**Режим ввода команд:** конфигурирование интерфейса

### ***lasp actor admin key***

Используйте данную команду, чтобы настроить административное значение ключа-исполнителя LACP на интерфейсе или диапазоне интерфейсов. Диапазон значения key — от 0 до 65535.

**Значение по умолчанию:** внутренний номер интерфейса данного физического порта.

**Формат:** `lasp actor admin key key`

**Режим ввода команд:** конфигурирование интерфейса



**Данная команда применима только на агрегированных интерфейсах.**

### ***no lasp actor admin key***

Команда устанавливает административное значение ключа в значение по умолчанию.

**Формат:** `no lasp actor admin key`

**Режим ввода команд:** конфигурирование интерфейса

### ***lasp actor admin state individual***

Используйте эту команду, чтобы установить административный статус исполнителя LACP как individual.

**Формат:** `lasp actor admin state individual`

**Режим ввода команд:** конфигурирование интерфейса



**Данная команда применима только на физических интерфейсах.**

### ***no lasp actor admin state individual***

Используйте эту команду, чтобы установить административный статус исполнителя LACP как aggregation.

**Формат:** `no lasp actor admin state individual`

**Режим ввода команд:** конфигурирование интерфейса

### ***lasp actor admin state longtimeout***

Данная команда устанавливает административный статус исполнителя LACP как longtimeout.

**Формат:** `lasp actor admin state longtimeout`

**Режим ввода команд:** конфигурирование интерфейса



**Данная команда применима только на физических интерфейсах.**

### *no lacp actor admin state longtimeout*

Используйте эту команду, чтобы установить административный статус исполнителя LACP как shorttimeout.

**Формат:** `no lacp actor admin state longtimeout`

**Режим ввода команд:** конфигурирование интерфейса



**Данная команда применима только на физических интерфейсах.**

### *lacp actor admin state passive*

Команда устанавливает административный статус исполнителя LACP как passive.

**Формат:** `lacp actor admin state passive`

**Режим ввода команд:** конфигурирование интерфейса



**Данная команда применима только на физических интерфейсах.**

### *no lacp actor admin state passive*

Используйте эту команду, чтобы установить административный статус исполнителя LACP как активный.

**Формат:** `no lacp actor admin state passive`

**Режим ввода команд:** конфигурирование интерфейса

### *lacp actor admin state*

Используйте данную команду, чтобы настроить административное значение статуса исполнителя в соответствии с исполнителем в LACPDU. Команда может использоваться для настройки одного интерфейса или диапазона интерфейсов.

**Значение по умолчанию:** `0x07`

**Формат:** `lacp actor admin state {individual|longtimeout|passive}`

**Режим ввода команд:** конфигурирование интерфейса



**Данная команда применима только на физических интерфейсах.**

### *no lacp actor admin state*

Используйте эту команду, чтобы вернуть установку административного значения статуса исполнителя в соответствии с исполнителем в LACPDU в значение по умолчанию.



Обе команды (`no port lacptimeout` и `no lacp actor admin state`) возвращают значения по умолчанию, независимо от того, какая команда использовалась для настройки порта. Как следствие, обе эти команды отображаются в выводе команды `show running-config`.

**Формат:** `no lacp actor admin state {individual|longtimeout|passive}`

**Режим ввода команд:** конфигурирование интерфейса

### ***lacp actor port priority***

Используйте эту команду, чтобы настроить значение приоритета, назначенного агрегированному порту, для интерфейса или диапазона интерфейсов. Диапазон значений *priority* — от 0 до 65535.

**Значение по умолчанию:** 0x80

**Формат:** `lacp actor port priority 0-65535`

**Режим ввода команд:** конфигурирование интерфейса



**Данная команда применима только на физических интерфейсах.**

### ***no lacp actor port priority***

Команда устанавливает значение приоритета, назначенного агрегированному порту, в значение по умолчанию.

**Формат:** `no lacp actor port priority`

**Режим ввода команд:** конфигурирование интерфейса

### ***lacp partner admin key***

Используйте эту команду, чтобы установить административное значение ключа для партнера по протоколу. Данная команда может использоваться для настройки одного интерфейса или диапазона интерфейсов. Диапазон значения *key* — от 0 до 65535.

**Значение по умолчанию:** 0x0

**Формат:** `lacp partner admin key key`

**Режим ввода команд:** конфигурирование интерфейса



**Данная команда применима только на физических интерфейсах.**

### ***no lacp partner admin key***

Команда устанавливает административное значение ключа для партнера по протоколу в значение по умолчанию.

**Формат:** `no lacp partner admin key`

**Режим ввода команд:** конфигурирование интерфейса

### ***lACP partner admin state individual***

Используйте эту команду, чтобы установить административный статус LACP-партнера как individual.

**Формат:** `lACP partner admin state individual`

**Режим ввода команд:** конфигурирование интерфейса



**Данная команда применима только на физических интерфейсах.**

### ***no lACP partner admin state individual***

Используйте эту команду, чтобы установить административный статус LACP-партнера как aggregation.

**Формат:** `no lACP partner admin state individual`

**Режим ввода команд:** конфигурирование интерфейса

### ***lACP partner admin state longtimeout***

Команда устанавливает административный статус LACP-партнера как longtimeout.

**Формат:** `lACP partner admin state longtimeout`

**Режим ввода команд:** конфигурирование интерфейса



**Данная команда применима только на физических интерфейсах.**

### ***no lACP partner admin state longtimeout***

Используйте эту команду, чтобы установить административный статус LACP-партнера как shorttimeout.

**Формат:** `no lACP partner admin state longtimeout`

**Режим ввода команд:** конфигурирование интерфейса



**Данная команда применима только на физических интерфейсах.**

### ***lACP partner admin state passive***

Используйте эту команду, чтобы установить административный статус LACP-партнера как passive.

**Формат:** `lACP partner admin state passive`

**Режим ввода команд:** конфигурирование интерфейса



**Данная команда применима только на физических интерфейсах.**

### *no lacp partner admin state passive*

Используйте эту команду, чтобы установить административный статус LACP-партнера как active.

**Формат:** `no lacp partner admin state passive`

**Режим ввода команд:** конфигурирование интерфейса

### *lacp partner port id*

Используйте эту команду, чтобы настроить идентификатор порта LACP-партнера. Команда может использоваться для настройки одного интерфейса или диапазона интерфейсов. Диапазон значения port-id — от 0 до 65535.

**Значение по умолчанию:** `0x80`

**Формат:** `lacp partner port-id port-id`

**Режим ввода команд:** конфигурирование интерфейса



**Данная команда применима только на физических интерфейсах.**

### *no lacp partner port id*

Используйте эту команду, чтобы установить идентификатор порта LACP-партнера в значение по умолчанию.

**Формат:** `no lacp partner port-id`

**Режим ввода команд:** конфигурирование интерфейса

### *lacp partner port priority*

Используйте эту команду, чтобы настроить приоритет порта-партнера LACP. Данная команда может использоваться для настройки одного интерфейса или диапазона интерфейсов. Диапазон значений priority — от 0 до 65535.

**Значение по умолчанию:** `0x0`

**Формат:** `lacp partner port priority priority`

**Режим ввода команд:** конфигурирование интерфейса



**Данная команда применима только на физических интерфейсах.**

### *no lacp partner port priority*

Команда устанавливает приоритет порта-партнера LACP в значение по умолчанию.

**Формат:** `no lacp partner port priority`

**Режим ввода команд:** конфигурирование интерфейса



### ***lasp partner system-id***

Используйте эту команду, чтобы настроить шестиоктетное значение MAC-адреса, обозначающее административное значение идентификатора партнерской системы агрегированного порта. Данная команда может использоваться для настройки одного интерфейса или диапазона интерфейсов. Диапазон значения system-id — от 00:00:00:00:00:00 до FF:FF:FF:FF:FF:FF.

**Значение по умолчанию:** 00:00:00:00:00:00

**Формат:** `lasp partner system-id system-id`

**Режим ввода команд:** конфигурирование интерфейса



**Данная команда применима только на физических интерфейсах.**

### ***no lasp partner system-id***

Используйте эту команду, чтобы установить административное значение идентификатора партнерской системы протокола агрегированного порта в значение по умолчанию.

**Формат:** `no lasp partner system-id`

**Режим ввода команд:** конфигурирование интерфейса

### ***lasp partner system priority***

Команда настраивает административное значение приоритета, связанное с идентификатором партнерской системы. Данная команда может использоваться для настройки одного интерфейса или диапазона интерфейсов. Диапазон значений priority — от 0 до 65535.

**Значение по умолчанию:** 0x0

**Формат:** `lasp partner system priority 0-65535`

**Режим ввода команд:** конфигурирование интерфейса



**Данная команда применима только на физических интерфейсах.**

### ***no lasp partner system priority***

Команда настраивает административное значение приоритета, связанное с идентификатором партнерской системы, в значение по умолчанию.

**Формат:** `no lasp partner system priority`

**Режим ввода команд:** конфигурирование интерфейса

### ***interface lag***

Используйте данную команду, чтобы войти в режим конфигурирования интерфейса для указанного LAG.

**Формат:** `interface lag lag-interface-number`

**Режим ввода команд:** глобальная конфигурация

### ***port-channel static***

Данная команда включает статичный режим на LAG-интерфейсе или диапазоне интерфейсов. По умолчанию статичный режим для нового LAG-интерфейса включен, что означает, что агрегированный интерфейс является статичным. Если максимальное количество разрешенных динамических агрегированных интерфейсов уже присутствует в системе, статичный режим для нового агрегированного интерфейса будет включен, а значит, он будет статичным. Эта команда используется только на агрегированных интерфейсах.

**Значение по умолчанию:** включено  
**Формат:** port-channel static  
**Режим ввода команд:** конфигурирование интерфейса

### ***no port-channel static***

Эта команда устанавливает статичный режим на определенном LAG-интерфейсе в значение по умолчанию. Команда может использоваться только на агрегированных интерфейсах.

**Формат:** no port-channel static  
**Режим ввода команд:** конфигурирование интерфейса

### ***port lacpmode***

Данная команда включает Link Aggregation Control Protocol (LACP) на порте или диапазоне портов.

**Значение по умолчанию:** включено  
**Формат:** port lacpmode  
**Режим ввода команд:** конфигурирование интерфейса

### ***no port lacpmode***

Команда выключает Link Aggregation Control Protocol (LACP) на порте.

**Формат:** no port lacpmode  
**Режим ввода команд:** конфигурирование интерфейса

### ***port lacpmode enable all***

Данная команда включает Link Aggregation Control Protocol (LACP) на всех портах.

**Формат:** port lacpmode enable all  
**Режим ввода команд:** глобальная конфигурация

### ***no port lacpmode enable all***

Команда выключает Link Aggregation Control Protocol (LACP) на всех портах.

**Формат:** no port lacpmode enable all  
**Режим ввода команд:** глобальная конфигурация

### ***port lacptimeout (Interface Config)***

Данная команда устанавливает время жизни записи на физическом интерфейсе или диапазоне интерфейсов определенного типа устройств (исполнителя или партнера) в длинное или короткое значение.

**Значение по умолчанию:** long  
**Формат:** port lacptimeout {actor | partner} {long | short}  
**Режим ввода команд:** конфигурирование интерфейса

#### *no port lacptimeout*

Команда устанавливает время жизни записи на физическом интерфейсе или диапазоне интерфейсов определенного типа устройств (исполнителя или партнера) в значение по умолчанию.

**Формат:** no port lacptimeout {actor | partner}  
**Режим ввода команд:** конфигурирование интерфейса



Обе команды (*no port lacptimeout* и *no lacp actor admin state*) возвращают значения по умолчанию, независимо от того, какая команда использовалась для настройки порта. Как следствие, обе эти команды отображаются в выводе команды *show running-config*.

### ***port lacptimeout (Global Config)***

Данная команда устанавливает время жизни записи для всех интерфейсов определенного типа устройств (исполнителя или партнера) в длинное или короткое значение.

**Значение по умолчанию:** long  
**Формат:** port lacptimeout {actor | partner} {long | short}  
**Режим ввода команд:** глобальная конфигурация

#### *no port lacptimeout*

Команда устанавливает время жизни записи для всех физических интерфейсов определенного типа устройств (исполнителя или партнера) в значение по умолчанию.

**Формат:** no port lacptimeout {actor | partner}  
**Режим ввода команд:** глобальная конфигурация



Обе команды (*no port lacptimeout* и *no lacp actor admin state*) возвращают значения по умолчанию, независимо от того, какая команда использовалась для настройки порта. Как следствие, обе эти команды отображаются в выводе команды *show running-config*.

### ***port-channel adminmode***

Эта команда включает все настроенные агрегированные интерфейсы с одинаковыми установками административного режима.

**Формат:** port-channel adminmode all  
**Режим ввода команд:** глобальная конфигурация

### *no port-channel adminmode*

Команда выключает все настроенные агрегированные интерфейсы с одинаковыми установками административного режима.

**Формат:** `no port-channel adminmode all`

**Режим ввода команд:** глобальная конфигурация

### *port-channel linktrap*

Эта команда включает уведомления о трапах соединений для LAG-интерфейса. Параметр *interface* — это логическое значение *unit/slot/port* для настроенного агрегированного интерфейса. Опция *all* настраивает все настроенные LAG-интерфейсы с одинаковыми параметрами административного режима. Вместо параметра *unit/slot/port* можно использовать *lag lag-intf-num* как альтернативный вариант определения LAG-интерфейса. Параметр *lag lag-intf-num* также можно использовать для определения конкретного LAG-интерфейса, при этом значение *lag-intf-num* должно указывать номер порта LAG.

**Значение по умолчанию:** включено

**Формат:** `port-channel linktrap {logical unit/slot/port | all}`

**Режим ввода команд:** глобальная конфигурация

### *no port-channel linktrap*

Команда выключает уведомления о трапах соединений для LAG-интерфейса. Параметр *interface* — это логическое значение *unit/slot/port* для настроенного агрегированного интерфейса. Опция *all* настраивает все настроенные LAG-интерфейсы с одинаковыми параметрами административного режима.

**Формат:** `no port-channel linktrap {logical unit/slot/port | all}`

**Режим ввода команд:** глобальная конфигурация

### *port-channel load-balance*

Эта команда выбирает опцию балансировки нагрузки для агрегированного интерфейса. Трафик балансируется на агрегированном интерфейсе путем выбора одного из соединений интерфейса, через который будут передаваться определенные пакеты. Физический интерфейс выбирается с помощью создания двоичного шаблона из выбранных полей пакета и связывания этого шаблона с определенным физическим интерфейсом.

Данная команда может выполняться на одном интерфейсе, диапазоне интерфейсов или на всех интерфейсах. Вместо параметра *unit/slot/port* можно использовать *lag lag-intf-num* как альтернативный вариант определения LAG-интерфейса. Параметр *lag lag-intf-num* можно использовать для определения конкретного LAG-интерфейса, при этом значение *lag-intf-num* должно указывать номер порта LAG.

**Значение по умолчанию:** 3

**Формат:** `port-channel load-balance { dst-ip | dst-mac | enhanced | src-dst-ip | src-dst-mac | src-ip | src-mac } {unit/slot/port | all}`

**Режим ввода команд:** конфигурирование интерфейса глобальная конфигурация

Термин	Значение
src-mac	MAC-адрес источника, VLAN, EtherType и входящий порт, связанные с пакетом.

<b>dst-mac</b>	MAC-адрес места назначения, VLAN, EtherType и входящий порт, связанные с пакетом.
<b>src-dst-mac</b>	MAC-адрес источника/места назначения, VLAN, EtherType и входящий порт, связанные с пакетом.
<b>src-ip</b>	IP-адрес источника и TCP/UDP-порт источника.
<b>dst-ip</b>	IP-адрес места назначения и TCP/UDP-порт места назначения.
<b>src-dst-ip</b>	IP-адреса источника/места назначения и TCP/UDP-порты источника/места назначения.
<b>enhanced</b>	Режим расширенного хеширования.
<b>unit/slot/port   all</b>	Только в режиме глобальной конфигурации. Интерфейс — это логический номер <i>unit/slot/port</i> настроенного агрегированного интерфейса. <i>All</i> применяет команду ко всем настроенным на данный момент агрегированным интерфейсам.

### *no port-channel load-balance*

Данная команда возвращает конфигурацию балансировки нагрузки в значение по умолчанию.

**Формат:** `no port-channel load-balance {unit/slot/port | all}`

**Режим ввода команд:** конфигурирование интерфейса глобальная конфигурация

<i>Термин</i>	<i>Значение</i>
<b>unit/slot/ port   all</b>	Только в режиме глобальной конфигурации. Интерфейс — это логический номер <i>unit/slot/port</i> настроенного агрегированного интерфейса. <i>All</i> применяет команду ко всем настроенным на данный момент агрегированным интерфейсам.

### *port-channel local-preference*

Данная команда включает режим локального предпочтения для LAG-интерфейса или диапазона интерфейсов. По умолчанию режим локального предпочтения для агрегированного интерфейса выключен. Команда может использоваться только на LAG-интерфейсах.

**Значение по умолчанию:** выключено

**Формат:** `port-channel local-preference`

**Режим ввода команд:** конфигурирование интерфейса

### *no port-channel local-preference*

Команда выключает режим локального предпочтения на канале порта.

**Формат:** `no port-channel local-preference`

**Режим ввода команд:** конфигурирование интерфейса

### *port-channel min-links*

Данная команда настраивает минимальное число физических интерфейсов для LAG-интерфейса.

**Значение по умолчанию:** 1

**Формат:** port-channel min-links 1-8

**Режим ввода команд:** конфигурирование интерфейса

### **port-channel name**

Команда задает имя для агрегированного интерфейса. Параметр `interface` — это логическое значение `unit/slot/port` для настроенного агрегированного интерфейса, а `name` — это строка, содержащая до 15 буквенно-цифровых символов. Вместо параметра `unit/slot/port` можно использовать `lag lag-intf-num` как альтернативный вариант определения LAG-интерфейса. Параметр `lag lag-intf-num` можно использовать для определения конкретного LAG-интерфейса, при этом значение `lag-intf-num` должно указывать номер порта LAG.

**Формат:** port-channel name {logical unit/slot/port} name

**Режим ввода команд:** глобальная конфигурация

### **port-channel system priority**

Используйте данную команду, чтобы настроить системный приоритет агрегированного интерфейса. Диапазон значений `priority` — от 0 до 65535.

**Значение по умолчанию:** 0x8000

**Формат:** port-channel system priority priority

**Режим ввода команд:** глобальная конфигурация

### **no port-channel system priority**

Используйте данную команду, чтобы установить системный приоритет агрегированного интерфейса в значение по умолчанию.

**Формат:** no port-channel system priority

**Режим ввода команд:** глобальная конфигурация

### **show hashdest**

Команда определяет, как пакеты будут направляться через LAG или на ближайшее устройство, если местом назначения является ECMP. С помощью метода агрегации соединений, входящего физического порта и значений различных полей пакетов эта команда определяет исходящий физический порт в пределах LAG или ECMP для пакета.

**Формат:** show hashdest {lag lag-id | ecmp prefix/prefix-length} in\_port unit/slot/port src-mac macaddr dst-mac macaddr [vlan vlan-id] ethertype 0xXXXX [src-ip {ipv4-addr | ipv6-addr} dst-ip {ipv4-addr | ipv6-addr} protocol pid src-l4-port port-num dst-l4-port port-num]

**Режим ввода команд:** привилегированный

Термин	Значение
lag	Группа LAG, для которой рассчитывается исходящий физический порт.
ecmp	IP-адрес EMC-группы, для которой рассчитывается исходящий физический порт.

<b>in_port</b>	Входящий физический порт для системы.
<b>src-mac</b>	MAC-адрес источника.
<b>dst-mac</b>	MAC-адрес места назначения.
<b>vlan</b>	Идентификатор VLAN для пакетов с тегами VLAN. Для пакетов, не относящихся к тегированным VLAN, параметр не используется или равен нулю.
<b>ethertype</b>	16-битное значение EtherType в формате 0xXXXX. Для пакетов 3 уровня прогноз хеширования доступен только для IPv4 (0x0800) и IPv6 (0x86DD).
<b>src-ip</b>	IP-адрес источника, вводимый в формате x.x.x.x для IPv4-пакетов и в формате x:x:x:x:x:x для IPv6-пакетов.
<b>dst-ip</b>	IP-адрес места назначения, вводимый в формате x.x.x.x для IPv4 и в формате x:x:x:x:x:x для IPv6-пакетов.
<b>protocol</b>	Идентификатор протокола.
<b>src-l4-port</b>	Порт-источник 4 уровня.
<b>dst-l4-port</b>	Порт места назначения 4 уровня.

### **show lacp actor**

Используйте эту команду, чтобы отобразить атрибуты исполнителя LACP. Вместо параметра *unit/slot/port* можно использовать *lag lag-intf-num* как альтернативный вариант определения LAG-интерфейса. Параметр *lag lag-intf-num* можно использовать для определения конкретного LAG-интерфейса, при этом значение *lag-intf-num* должно указывать номер порта LAG.

**Формат:** `show lacp actor {unit/slot/port|all}`

**Режим ввода команд:** глобальная конфигурация

Отображаться будут следующие выходные параметры.

<b>Термин</b>	<b>Значение</b>
<b>System Priority</b>	Административное значение ключа.
<b>Actor Admin Key</b>	Административное значение ключа.
<b>Port Priority</b>	Значение приоритета, назначенное агрегированному порту.
<b>Admin State</b>	Административные значения статуса исполнителя в соответствии с тем, что было передано исполнителем в LACPDU.

### **show lacp partner**

Используйте эту команду, чтобы отобразить атрибуты LACP-партнера. Вместо параметра *unit/slot/port* можно использовать *lag lag-intf-num* как альтернативный вариант определения LAG-интерфейса. Параметр *lag lag-intf-num* можно использовать для определения конкретного LAG-интерфейса, при этом значение *lag-intf-num* должно указывать номер порта LAG.

**Формат:** `show lacp actor {unit/slot/port|all}`

**Режим ввода команд:** привилегированный

Отображаться будут следующие выходные параметры.

<b>Термин</b>	<b>Значение</b>
---------------	-----------------

<b>System Priority</b>	Административное значение приоритета, связанного с идентификатором партнерской системы.
<b>System ID</b>	Отображает административное значение идентификатора системы партнёра.
<b>Admin Key</b>	Административное значение ключа для партнера по протоколу.
<b>Port Priority</b>	Административное значение ключа для партнера по протоколу.
<b>Port-ID</b>	Административное значение номера порта для партнера по протоколу.
<b>Admin State</b>	Административные значения статуса исполнителя для партнера по протоколу.

### ***show port-channel brief***

Данная команда отображает статичную пропускную способность всех LAG-интерфейсов устройства, а также сводную информацию по отдельным LAG-интерфейсам. Вместо параметра *unit/slot/port* можно использовать *lag lag-intf-num* как альтернативный вариант определения LAG-интерфейса. Параметр *lag lag-intf-num* также можно использовать для определения конкретного LAG-интерфейса, при этом значение *lag-intf-num* должно указывать номер порта LAG.

**Формат:** `show port-channel brief`

**Режим ввода команд:** пользовательский

Для каждого LAG-интерфейса отображается следующая информация:

<b>Термин</b>	<b>Значение</b>
<b>Logical Interface</b>	<i>unit/slot/port</i> логического интерфейса.
<b>Port-channel Name</b>	Имя LAG-интерфейса.
<b>Link-State</b>	Показывает, создано или разорвано соединение.
<b>Trap Flag</b>	Показывает, включены ли флаги трапов.
<b>Type</b>	Показывает, является агрегированный интерфейс статичным или динамическим.
<b>Mbr Ports</b>	Участники данного агрегированного интерфейса.
<b>Active Ports</b>	Порты, участвующие в агрегированном интерфейсе на данный момент.

### ***show port-channel***

Данная команда отображает обзор всех агрегированных интерфейсов на коммутаторе. Вместо параметра *unit/slot/port* можно использовать *lag lag-intf-num* как альтернативный вариант определения LAG-интерфейса. Параметр *lag lag-intf-num* можно использовать для определения конкретного LAG-интерфейса, при этом значение *lag-intf-num* должно указывать номер порта LAG.

**Формат:** `show port-channel`

**Режим ввода команд:** привилегированный

<b>Термин</b>	<b>Значение</b>
<b>Logical Interface</b>	Действительный номер <i>unit/slot/port</i> .
<b>Port-Channel Name</b>	Имя данного LAG-интерфейса. Строка длиной до 15 буквенно-цифровых символов.



<b>Link State</b>	Показывает, создано или разорвано соединение.
<b>Admin Mode</b>	Возможные значения: enabled или disabled. В качестве заводской настройки используется enabled (включено).
<b>Type</b>	Показывает, является агрегированный интерфейс статичным или динамическим. <ul style="list-style-type: none"> <li>• <b>Static</b> — агрегированный интерфейс является статичным.</li> <li>• <b>Dynamic</b> — агрегированный интерфейс является динамическим.</li> </ul>
<b>Load Balance Option</b>	Опция балансировки нагрузки, связанная с данным LAG. См. команду port-channel load-balance.
<b>Local Preference</b>	Показывает, включен ли режим локального предпочтения.
<b>Mode</b>	Список портов-участников данного агрегированного интерфейса, в формате <i>unit/slot/port</i> .
<b>Mbr Ports</b>	Одному агрегированному интерфейсу может быть назначено до 8 портов.
<b>Device Timeout</b>	Перечисляет время жизни записи ( <b>long</b> или <b>short</b> ) каждого типа устройства ( <b>actor</b> или <b>partner</b> ) для каждого порта.
<b>Port Speed</b>	Скорость агрегированного интерфейса.
<b>Active Ports</b>	Это поле перечисляет порты, участвующие в агрегированном интерфейсе на данный момент.

### ***show port-channel system priority***

Используйте данную команду, чтобы отобразить системный приоритет агрегированного интерфейса.

**Формат:** `show port-channel system priority`

**Режим ввода команд:** привилегированный

### ***show port-channel counters***

Используйте данную команду, чтобы отобразить счетчики агрегированного интерфейса для указанного порта.

**Формат:** `show port-channel unit/slot/port counters`

**Режим ввода команд:** привилегированный

<b><i>Термин</i></b>	<b><i>Значение</i></b>
<b>Local Interface</b>	Действительный номер slot/port.
<b>Channel Name</b>	Имя данного LAG-интерфейса.
<b>Link State</b>	Показывает, создано или разорвано соединение.
<b>Admin Mode</b>	Возможные значения: enabled или disabled. В качестве заводской настройки используется enabled (включено).
<b>Port Channel Flap Count</b>	Количество случаев неактивности агрегированного интерфейса.
<b>Mbr Ports</b>	Значение slot/port для порта-участника.

<b>Mbr Flap Counters</b>	Количество случаев неактивности порта-участника из-за отсутствующего соединения или из-за выключенного административного режима.
--------------------------	--

### ***clear port-channel counters***

Используйте данную команду, чтобы очистить и сбросить счетчики ошибок соединения для указанного агрегированного интерфейса и его участников.

**Формат:** `clear port-channel {lag-intf-num | unit/slot/port} counters`

**Режим ввода команд:** привилегированный

### ***clear port-channel all counters***

Используйте данную команду, чтобы очистить и сбросить все счетчики ошибок соединения для указанного агрегированного интерфейса и его участников для определенного интерфейса.

**Формат:** `clear port-channel all counters`

**Режим ввода команд:** привилегированный

## **8.24 Команды настройки протокола VPC**

VPC (также известный как MLAG) позволяет создавать LAG через два независимых коммутатора таким образом, чтобы некоторые порты-участники VPC могли находиться на одном коммутаторе, а другие участники — на другом. Партнерское устройство на удаленной стороне может не знать про VPC. Такое устройство будет принимать VPC за отдельный LAG-интерфейс, соединенный с одним коммутатором.

### ***vpc domain***

Используйте данную команду, чтобы войти в режим конфигурирования VPC и создать домен VPC с указанным domain-id. Только один домен VPC может быть создан на одном устройстве. Значение domain-id домена VPC должен равняться тому, что настроено на соседнем устройстве VPC, с которым данное устройство планирует образовать общий VPC. Обмен настроенными domain-id для VPC происходит во время распределения ролей, и если их настройки соседних устройств отличаются, VPC не начнет функционировать.

Администратор должен убедиться, что ни одна пара доменов VPC не занимает одно и тот же значение domain-id VPC. Идентификатор домена используется для вывода автоматически сгенерированного VPC MAC-адреса, который используется в поле идентификатора исполнителя в LACP PDU и STP BPDU при отправке на интерфейсы VPC. Если два домена VPC имеют одинаковый domain-id, это приведет к одинаковому значению поля идентификатора исполнителя и к последующим проблемам конвергенции LACP и STP.

Диапазон значений domain-id — от 1 до 255.

**Формат:** `vpc domain domain-id`

**Режим ввода команд:** глобальная конфигурация

### ***no vpc domain***

Используйте данную команду для удаления VPC-домена, выключения peer-keepalive и peer-detection и сбрасывания настроенных параметров (приоритет роли, MAC-адрес VPC, системный приоритет VPC) для VPC-домена.

**Формат:** `no vpc domain domain-id`

**Режим ввода команд:** глобальная конфигурация

### ***feature vpc***

Эта команда включает VPC глобально. Распределение ролей VPC происходит, когда и VPC и механизм статуса keeralive включены (см. команду `peer-keeralive timeout` на стр. 606). Чтобы произошло распределение ролей, также должно быть настроено одноранговое соединение.

**Формат:** `feature vpc`

**Режим ввода команд:** глобальная конфигурация

### ***no feature vpc***

Данная команда выключает VPC.

**Формат:** `no feature vpc`

**Режим ввода команд:** глобальная конфигурация

### ***peer detection enable***

Эта команда запускает Dual control plane detection protocol (DCPDP) на VPC-коммутаторе. Чтобы DCPDP запустился на VPC-коммутаторе, там должен быть настроен IP-адрес соседнего устройства.

**Значение по умолчанию:** отсутствует

**Формат:** `peer detection enable`

**Режим ввода команд:** конфигурирование VPC

### ***no peer detection enable***

Эта команда выключает DCPDP на VPC-коммутаторе.

**Формат:** `no peer detection enable`

**Режим ввода команд:** конфигурирование VPC

### ***peer detection interval***

Используйте данную команду, чтобы настроить интервал передачи и время жизни записи для приема DCPDP.

Настраиваемый диапазон интервала передачи — от 200 до 4000 миллисекунд. Настраиваемый диапазон времени жизни записи для приема — от 700 до 14 000 миллисекунд. По умолчанию интервал передачи равен 1000 миллисекунд; время жизни записи для приема — 3500 миллисекунд.

**Значение по умолчанию:** Интервал передачи: 1000 мс

Время жизни записи для приема: 3500 мс

**Формат:** `peer detection interval msecs timeout seconds`

**Режим ввода команд:** конфигурирование VPC

### *no peer detection interval*

Используйте данную команду, чтобы установить интервал передачи и время жизни записи для приема DCPDP в значения по умолчанию.

**Формат:** `no peer detection interval msec timeout seconds`

**Режим ввода команд:** конфигурирование VPC

### *peer-keepalive destination*

Эта команда настраивает IP-адрес соседнего VPC-коммутатора, который является IP-адресом места назначения DCPDP на соседнем VPC-коммутаторе. Эта конфигурация используется только протоколом DCPDP на VPC-коммутаторах. Команда также настраивает IP-адрес источника DCPDP-сообщения, который является IP самого VPC-коммутатора. UDP-порт, через который VPC-коммутатор получает DCPDP-сообщения, может быть также настроен с помощью этой команды.

Настраиваемый диапазон UDP-порта — от 1 до 65535 (по умолчанию — 60000).

**Формат:** `peer-keepalive destination ipaddress switch ipaddress [udp-port port]`

**Режим ввода команд:** конфигурирование VPC

### *no peer-keepalive destination*

Команда сбрасывает настройки IP-адреса устройства, IP-адреса соседнего устройства и UDP-порта.

**Формат:** `no peer-keepalive destination ipaddress switch ipaddress [udp-port port]`

**Режим ввода команд:** конфигурирование VPC

### *peer-keepalive enable*

Эта команда запускает keepalive-механизм на VPC-устройстве, если VPC глобально включен.

**Значение по умолчанию:** выключено

**Формат:** `peer-keepalive enable`

**Режим ввода команд:** конфигурирование VPC

### *no peer-keepalive enable*

Эта команда останавливает keepalive-механизм на VPC-коммутаторе.

**Формат:** `no peer-keepalive enable`

**Режим ввода команд:** конфигурирование VPC

### *peer-keepalive timeout*

Эта команда настраивает время жизни механизма поддержки активности (в секундах). Если VPC-коммутатор не получает сообщения поддержки активности от соседнего парного устройства за указанное время, он передает свою роль (если требуется).



**Механизм поддержки активности не перезапускается, если keepalive timeout был изменен после назначения роли.**

Настраиваемый диапазон — от 2 до 15 секунд. Значение по умолчанию — 5 секунд.

**Формат:** peer-keepalive timeout *value*

**Режим ввода команд:** конфигурирование VPC

### *no peer-keepalive timeout*

Эта команда устанавливает значение время жизни механизма поддержки активности в значение 5 секунд.

**Формат:** no keepalive timeout

**Режим ввода команд:** конфигурирование VPC

### *role priority*

Эта команда настраивает приоритет VPC-коммутатора. Значение приоритета используется для выбора роли VPC. Значение приоритета посылается партнеру в VPC-сообщениях поддержки активности. VPC-коммутатор с более низким приоритетом становится первичным, а коммутатор с более высоким приоритетом становится вторичным. Если оба партнерских VPC-коммутатора имеют одинаковый приоритет роли, первичным становится устройство с более низким системным MAC-адресом.



**Механизм поддержки активности не перезапускается, если role priority был изменен после назначения роли.**

Приоритет может находиться в диапазоне от 1 до 255.

**Значение по умолчанию:** 100.

**Формат:** role priority *value*

**Режим ввода команд:** конфигурирование VPC

### *no role priority*

Эта команда устанавливает значение приоритета VPC-коммутатора время жизни механизма поддержки активности в значение 100 .

**Формат:** no role priority

**Режим ввода команд:** конфигурирование VPC

### *system-mac*

Используйте эту команду, чтобы настроить MAC-адрес VPC-домена вручную. MAC-адрес VPC должен быть настроен одинаково на обоих партнерских устройствах. Указанный MAC-адрес должен быть MAC-адресом одноадресной передачи в формате

<aa:bb:cc:dd:ee:ff> и не может равняться MAC-адресу первичного или вторичного устройства VPC. Настроенные MAC-адреса VPC передаются во время выбора ролей, и если они настроены по-разному на партнерских устройствах, VPC не начнет работать.

*mac-address* используется в LACP PDU и STP BPDU, отправляемых к портам-участникам VPC, если выбор первичного устройства VPC происходит после того, как MAC-адрес был настроен. Если MAC-адрес VPC настраивается после выбора первичного устройства VPC, операционный MAC-адрес VPC используется в LACP PDU и STP BPDU вместо настроенного MAC-адреса VPC.

**Формат:** system-mac *mac-address*

**Режим ввода команд:** VPC Domain

### *no system-mac*

Эта команда сбрасывает настроенный вручную MAC-адрес для VPC-домена.

**Формат:** no system-mac

**Режим ввода команд:** домен VPC

### *system-priority*

Используйте эту команду, чтобы вручную настроить системный приоритет для VPC-домена. Параметр *system-priority* должен быть настроен одинаково на обоих партнерских VPC-устройствах. Если системный приоритет VPC настроен по-разному на партнерских устройствах, VPC не будет работать.

*system-priority* используется в LACP PDU и STP BPDU, отправляемых к портам-участникам VPC, если выбор первичного устройства VPC происходит после того, как приоритет был настроен. Если системный приоритет VPC настраивается после выбора первичного устройства VPC, оперативный приоритет VPC будет использоваться в LACP PDU и STP BPDU вместо настроенного системного приоритета VPC.

Настраиваемый диапазон — от 1 до 65535.

**Значение по умолчанию:** 32767.

**Формат:** system-priority *priority*

**Режим ввода команд:** домен VPC

### *no system-priority*

Эта команда устанавливает системный приоритет VPC в значение по умолчанию.

**Формат:** no system-priority *priority*

**Режим ввода команд:** домен VPC

### *vpc*

Эта команда настраивает LAG-интерфейс как часть VPC. При выполнении команды канал порта выключен до того, пока партнерские коммутаторы не обменяются данными и не утвердят информацию LAG-интерфейса как участника.

Настраиваемый диапазон для VPC id — от 1 до значения «максимальное число LAG-интерфейсов (64) — 1».

**Значение по умолчанию:** отсутствует

**Формат:** vpc *id*

**Режим ввода команд:** LAG-интерфейс

### *no vpc*

Эта команда сбрасывает настройки канала порта как части VPC.

**Формат:** no vpc *id*

**Режим ввода команд:** LAG-интерфейс

### ***vpc peer-link***

Эта команда настраивает LAG-интерфейс как партнерское соединение VPC.

**Формат:** vpc peer-link

**Режим ввода команд:** LAG-интерфейс

### ***no vpc peer-link***

Команда удаляет настройки LAG-интерфейса как партнерского соединения VPC.

**Формат:** no vpc peer-link

**Режим ввода команд:** LAG-интерфейс

### ***show running-config vpc***

Используйте данную команду для отображения информации о текущей конфигурации для виртуальных каналов порта (VPC).

**Формат:** show running-config vpc

**Режим ввода команд:** привилегированный

### ***show vpc***

Данная команда отображает информацию о VPC. Отображаются конфигурационный и оперативный режимы VPC; при этом VPC оперативно включается, если выполнены все предварительные условия. Агрегированный интерфейс, который настроен как VPC-интерфейс, также отображается с портами-участниками на текущем коммутаторе и коммутаторе-партнере (с соответствующим статусом соединения).

**Формат:** show vpc id

**Режим ввода команд:** пользовательский

### ***show vpc brief***

Эта команда отображает глобальный статус VPC и текущий оперативный режим VPC (VPC оперативно включена, если все предварительные условия выполнены). Отображаются статусы *peerlink* и *keepalive*, а также количество настроенных и действующих VPC, системные MAC-адреса и роли.

**Формат:** show vpc brief

**Режим ввода команд:** привилегированный

### ***show vpc consistency-parameters***

Используйте данную команду, чтобы отобразить глобальные параметры согласованности и параметры согласованности LAG-интерфейса для виртуальных каналов порта (VPC) на коммутаторе.

**Формат:** show vpc consistency-parameters {global | interface lag Lag-id}

**Режим ввода команд:** привилегированный

### ***show vpc peer-keepalive***

Данная команда отображает IP-адрес соседнего VPC-коммутатора, используемый протоколом DCPDP. Отображается порт, используемый для DCPDP. Команда также показывает, включено ли

обнаружение партнера. Если включено, отображается статус обнаружения. Отображаются также интервал передачи DCPDP-сообщений и время ожидания принятия.

**Формат:** `show vpc peer-keepalive`

**Режим ввода команд:** пользовательский

### ***show vpc role***

Данная команда отображает информацию о статусе keepalive и его параметры. Отображаются также роль VPC-коммутатора, системный MAC-адрес и приоритет.

**Формат:** `show vpc role`

**Режим ввода команд:** пользовательский

### ***show vpc statistics***

Эта команда показывает счетчики keepalive-сообщений, переданных и полученных VPC-коммутатором.

**Формат:** `show vpc statistics {peer-keepalive | peer-link}`

**Режим ввода команд:** пользовательский

### ***clear vpc statistics***

Эта команда очищает всю статистику keepalive.

**Формат:** `clear vpc statistics {peer-keepalive | peer-link}`

**Режим ввода команд:** пользовательский

### ***debug vpc peer-keepalive***

Эта команда включает трассировку отладки для переходов статуса keepalive.

**Формат:** `debug vpc peer-keepalive`

**Режим ввода команд:** пользовательский

### ***debug vpc peer-link data-message***

Эта команда включает трассировку отладки для контрольных сообщений, которыми обмениваются VPC-устройства через партнерское соединение.

**Формат:** `debug vpc peer-link data-message`

**Режим ввода команд:** пользовательский

### ***debug vpc peer-link control-message async***

Эта команда включает трассировку отладки для асинхронных достоверных контрольных сообщений, которыми обмениваются устройства MLAG через партнерское соединение. С ключевым словом `error` отслеживаются только ошибки в коммуникации. С ключевым словом `msg` можно отследить содержание обмениваемых контрольных сообщений. Содержание можно отслеживать как для передаваемых, так и для получаемых контрольных сообщений.

**Формат:** `debug vpc peer-link control-message async {error | msg [receive | transmit]}`

**Режим ввода команд:** пользовательский



### ***debug vpc peer-link control-message bulk***

Эта команда включает трассировку отладки для периодических контрольных сообщений, которыми обмениваются устройства MLAG через партнерское соединение. С ключевым словом *error* отслеживаются только ошибки в коммуникации. С ключевым слово *msg* можно отследить содержание обмениваемых контрольных сообщений. Содержание можно отслеживать как для передаваемых, так и для получаемых контрольных сообщений.

**Формат:** `debug vpc peer-link control-message bulk {error | msg [receive | transmit]}`

**Режим ввода команд:** пользовательский

### ***debug vpc peer-link control-message ckpt***

Эта команда включает трассировку отладки для контрольных сообщений контрольных точек, которыми обмениваются устройства MLAG через партнерское соединение. С ключевым словом *error* отслеживаются только ошибки в коммуникации. С ключевым слово *msg* можно отследить содержание обмениваемых контрольных сообщений. Содержание можно отслеживать как для передаваемых, так и для получаемых контрольных сообщений.

**Формат:** `debug vpc peer-link control-message ckpt {error | msg [receive | transmit]}`

**Режим ввода команд:** пользовательский

### ***debug vpc peer detection***

Эта команда включает трассировку отладки для протокола DCPDP. Записи видны, когда DCPDP передает или получает пакеты обнаружения от соседнего VPC-коммутатора.

**Формат:** `debug vpc peer detection`

**Режим ввода команд:** пользовательский

## **8.25 Команды настройки зеркалирования интерфейсов**

Зеркальное копирование порта, также называемое мониторингом портов, выбирает сетевой трафик, который можно проанализировать с помощью сетевого анализатора, например устройства SwitchProbe или другого тестового устройства удаленного мониторинга (RMON).

### ***monitor session source***

Команды, описанные ниже, добавляют зеркалируемый порт (порт-источник) к сессии, обозначенной *session-id*. Параметр *session-id* — это целочисленное значение, используемое для идентификации сессии. Максимальное количество сессий, которое может быть настроено 7. Используйте параметр *source interface unit/slot/port*, чтобы указать интерфейс для мониторинга. Используйте параметры *rx* для мониторинга только входящих пакетов или *tx* для мониторинга только исходящих пакетов. Если не указывать опции {*rx* | *tx*}, порт назначения будет выполнять мониторинг для обоих типов пакетов.

Если используется VLAN как источник для сессии, выполняется мониторинг всех портов-участников этой VLAN.

Для настройки удаленного зеркалирования интерфейса используйте параметр *remote vlan vlan-id*.



**Источник и место назначения не могут быть настроены как удаленные на одном и том же устройстве.**



Если интерфейс участвует в какой-либо VLAN и входит в LAG, эта VLAN не может быть назначена как источник для сессии мониторинга. Однако если интерфейс участвует в какой-либо VLAN, и эта VLAN назначена источником сессии мониторинга, интерфейс может быть назначен в качестве участника LAG.

**Значение по умолчанию:** отсутствует

**Формат:** `monitor session session-id source {interface {unit/slot/port | cpu | lag } | vlan vlan-id | remote vlan vlan-id }[{rx | tx}]`

**Режим ввода команд:** глобальная конфигурация

#### *no monitor session source*

Эта команда удаляет указанный зеркалируемый порт из указанной сессии мониторинга.

**Значение по умолчанию:** отсутствует

**Формат:** `no monitor session session-id source {interface {unit/slot/port | cpu | lag } | vlan | remote vlan}`

**Режим ввода команд:** глобальная конфигурация

#### ***monitor session destination***

Эта команда добавляет зеркалирующий порт (порт-получатель) к выбранной сессии, обозначенной *session-id*. Параметр *session-id* — это целочисленное значение, используемое для идентификации сессии. Максимальное количество сессий, которое может быть настроено 7. Используйте *destination interface unit/slot/port*, чтобы указать интерфейс, который будет передавать зеркалируемый трафик.

Удаленное зеркалирование портов настраивается путем добавления RSPAN VLAN ID. Для настройки удаленного зеркалирования RSPAN используйте параметр *remote vlan vlan-id*.

Параметр *reflector-port* настраивается на коммутаторе-источнике вместе с RSPAN VLAN места назначения. Назначенный *reflector-port* передает зеркалируемый трафик к коммутатору места назначения.



**Данный порт должен быть настроен как участник RSPAN VLAN.**



**На промежуточном коммутаторе должна быть создана RSPAN VLAN, и все порты, соединенные с коммутаторами источника и места назначения, должны быть включены в RSPAN VLAN. Тегирование исходящего трафика RSPAN VLAN должно быть включено на интерфейсе промежуточного коммутатора, расположенного на пути к коммутатору места назначения.**

**Значение по умолчанию:** отсутствует

**Формат:** `monitor session session-id destination {interface unit/slot/port | remote vlan vlan-id reflector-port unit/slot/port}`

**Режим ввода команд:** глобальная конфигурация

#### *no monitor session destination*

Эта команда удаляет указанный зеркалирующий порт из выбранной сессии мониторинга.

**Формат:** `no monitor session session-id destination {interface unit/slot/port | remote vlan vlan-id reflector-port unit/slot/port}`

**Режим ввода команд:** глобальная конфигурация

### ***monitor session filter***

Данная команда подключает список IP/MAC ACL к выбранной сессии мониторинга, обозначенной *session-id*. Используйте параметр *filter*, чтобы фильтровать зеркалируемые пакеты по IP- или MAC-адресам в соответствии с указанным ACL.



**IP/MAC ACL можно подключать к сессии путем предоставления номера или имени ACL.**

**Значение по умолчанию:** отсутствует

**Формат:** `monitor session session-id filter {ip access-group acl-id/aclname | mac access-group acl-name}`

**Режим ввода команд:** глобальная конфигурация

### ***no monitor session filter***

Эта команда удаляет указанный IP/MAC ACL из выбранной сессии мониторинга.

**Формат:** `no smonitor session session-id filter {ip access-group | mac access-group }`

**Режим ввода команд:** глобальная конфигурация

### ***monitor session mode***

Эта команда включает режим мониторинга для выбранной сессии мониторинга.

**Значение по умолчанию:** отсутствует

**Формат:** `monitor session session-id mode`

**Режим ввода команд:** глобальная конфигурация

### ***no monitor session mode***

Команда выключает режим мониторинга для выбранной сессии мониторинга.

**Формат:** `no monitor session session-id mode`

**Режим ввода команд:** глобальная конфигурация

### ***no monitor session***

Используйте данную команду без необязательных параметров, чтобы удалить выбранную сессию мониторинга со всеми сконфигурированными необязательными параметрами и возвращает режим мониторинга для выбранной сессии в значение по умолчанию.

**Формат:** `no monitor session session-id`

**Режим ввода команд:** глобальная конфигурация

### ***no monitor***

Данная команда возвращает все настроенные на коммутаторе сессии мониторинга к значению по умолчанию.



Данная команда является автономной по-формой командой. Команда не имеет «утвердительной» формы.

**Значение по умолчанию:** отсутствует

**Формат:** no monitor

**Режим ввода команд:** глобальная конфигурация

### ***show monitor session***

Данная команда отображает информацию мониторинга портов для указанной сессии мониторинга или для всех доступных сессий мониторинга.

**Формат:** show monitor session {*session-id* {1-7} | *all*}

**Режим ввода команд:** привилегированный

<b>Термин</b>	<b>Значение</b>
<b>Session ID</b>	Целое число, соответствующее индикатору сессии в диапазоне от 1 до 7.
<b>Admin Mode</b>	Показывает включена ли функция зеркалирования портов для сессии, обозначенной параметром <i>session-id</i> . Возможные значения: <i>enabled</i> и <i>disabled</i>
<b>Probe Port</b>	Зеркалирующий (порт места назначения) для сессии, обозначенной параметром <i>session-id</i> . Если зеркалирующий порт не назначен, поле остается пустым.
<b>Src RVLAN</b>	Зеркалируемая VLAN. Если зеркалируемая VLAN не настроена, поле остается пустым.
<b>Mirrored Port</b>	Порт, настроенный как зеркалируемый (порт-источник) для сессии, обозначенной параметром <i>session-id</i> . Если для сессии не настроен порт-источник, поле остается пустым.
<b>Ref. Port</b>	Этот порт передает весь копируемый трафик.
<b>Src RVLAN</b>	Входящая RSPAN VLAN, настроенная на коммутаторе. Если RSPAN VLAN не настроена, это поле остается пустым.
<b>Dst RVLAN</b>	Исходящая RSPAN VLAN места, настроенная на коммутаторе. Если RSPAN VLAN не настроена, это поле остается пустым.
<b>Type</b>	Тип зеркалируемых пакетов. Возможные значения: <i>tx</i> для передаваемых пакетов и <i>rx</i> для принимаемых пакетов.
<b>IP ACL</b>	Идентификатор или имя списка контроля доступа IP, связанного с сессией мониторинга портов.
<b>MAC ACL</b>	Имя списка контроля доступа MAC, связанного с сессией мониторинга портов.

### ***show vlan remote-span***

Эта команда отображает настроенные RSPAN VLAN.

**Формат:** show vlan remote-span

**Режим ввода команд:** привилегированный

## 8.26 Команды настройки статичной MAC-фильтрации

Команды в этой части описывают процесс настройки статической MAC-фильтрации. Статическая MAC-фильтрация позволяет настроить порты места назначения для статического MAC-фильтра многоадресной рассылки.

### ***macfilter***

Эта команда добавляет запись статического MAC-фильтра для MAC-адреса *macaddr* в сети VLAN *vlanid*. Значение *macaddr* — это 6-битное шестнадцатеричное число в формате b1:b2:b3:b4:b5:b6. Запрещёнными MAC-адресами являются 00:00:00:00:00:00, с 01:80:C2:00:00:00 по 01:80:C2:00:00:0F, с 01:80:C2:00:00:20 по 01:80:C2:00:00:21, а также FF:FF:FF:FF:FF:FF. Параметр *vlanid* должен определять действительную VLAN.

Количество статических MAC-фильтров, поддерживаемых в системе, отличается для MAC-фильтров с настроенными портами-источниками и MAC-фильтров с настроенными портами места назначения.

Можно настроить следующие комбинации:

- одноадресный MAC и порт-источник;
- многоадресный MAC и порт-источник;
- многоадресный MAC и только порт места назначения;
- многоадресный MAC с портами-источниками и портами места назначения.

**Формат:** `macfilter macaddr vlanid`

**Режим ввода команд:** глобальная конфигурация

### ***no macfilter***

Эта команда удаляет все ограничения фильтрации и запись статического MAC-фильтра для MAC-адреса *macaddr* в сети VLAN *vlanid*. Значение параметра *macaddr* должно определяться как 6-битное шестнадцатеричное число в формате b1:b2:b3:b4:b5:b6.

Параметр *vlanid* должен определять действительную VLAN.

**Формат:** `no macfilter macaddr vlanid Mode` глобальная конфигурация

### ***macfilter adddest***

Используйте данную команду для добавления интерфейса или диапазона интерфейсов к набору фильтров мест назначения MAC-фильтра с данным *macaddr* и VLAN *vlanid*. Значение параметра *macaddr* должно определяться как 6-битное шестнадцатеричное число в формате b1:b2:b3:b4:b5:b6. Параметр *vlanid* должен определять действительную VLAN.



**Настройка списка портов места назначения возможна только для действительных MAC-адресов многоадресной рассылки.**

**Формат:** `macfilter adddest macaddr`

**Режим ввода команд:** конфигурирование интерфейса

### ***no macfilter adddest***

Эта команда удаляет порт из набора фильтров мест назначения MAC-фильтра с данным *macaddr* и VLAN *vlanid*. Значение параметра *macaddr* должно определяться как 6-битное

шестнадцатеричное число в формате b1:b2:b3:b4:b5:b6. Параметр *vlanid* должен определять действительную VLAN.

**Формат:** `no macfilter adddest macaddr`

**Режим ввода команд:** конфигурирование интерфейса

### ***macfilter adddest all***

Эта команда добавляет все интерфейсы к набору фильтров мест назначения MAC-фильтра с данным *macaddr* и VLAN *vlanid*. Значение параметра *macaddr* должно определяться как 6-битное шестнадцатеричное число в формате b1:b2:b3:b4:b5:b6. Параметр *vlanid* должен определять действительную VLAN.



**Настройка списка портов места назначения возможна только для действительных MAC-адресов многоадресной рассылки.**

**Формат:** `macfilter adddest all macaddr`

**Режим ввода команд:** глобальная конфигурация

### ***no macfilter adddest all***

Эта команда удаляет все порты из набора фильтров мест назначения MAC-фильтра с данным *macaddr* и VLAN *vlanid*. Значение параметра *macaddr* должно определяться как 6-битное шестнадцатеричное число в формате b1:b2:b3:b4:b5:b6. Параметр *vlanid* должен определять действительную VLAN.

**Формат:** `no macfilter adddest all macaddr`

**Режим ввода команд:** глобальная конфигурация

### ***macfilter addsrc***

Данная команда добавляет интерфейс или диапазон интерфейсов к набору фильтров источников MAC-фильтра с данным *macaddr* и VLAN *vlanid*. Значение параметра *macaddr* должно определяться как 6-битное шестнадцатеричное число в формате b1:b2:b3:b4:b5:b6. Параметр *vlanid* должен определять действительную VLAN.

**Формат:** `macfilter addsrc macaddr vlanid`

**Режим ввода команд:** конфигурирование интерфейса

### ***no macfilter addsrc***

Данная команда удаляет порт из набора фильтров источников MAC-фильтра с данным *macaddr* и VLAN *vlanid*. Значение параметра *macaddr* должно определяться как 6-битное шестнадцатеричное число в формате b1:b2:b3:b4:b5:b6. Параметр *vlanid* должен определять действительную VLAN.

**Формат:** `no macfilter addsrc macaddr vlanid`

**Режим ввода команд:** конфигурирование интерфейса

### ***macfilter addsrc all***

Данная команда добавляет все интерфейсы к набору фильтров источников MAC-фильтра с данным *macaddr* и VLAN *vlanid*. Значение *macaddr* нужно определять как 6-битное шестнадцатеричное число в формате b1:b2:b3:b4:b5:b6. Параметр *vlanid* должен определять действительную VLAN.

**Формат:** `macfilter addsrc all macaddr vlanid`

**Режим ввода команд:** глобальная конфигурация

*no macfilter addsrc all*

Данная команда удаляет все интерфейсы из набора фильтров источников MAC-фильтра с данным *macaddr* и VLAN *vlanid*. Значение *macaddr* нужно определять как 6-битное шестнадцатеричное число в формате b1:b2:b3:b4:b5:b6.

Параметр *vlanid* должен определять действительную VLAN.

**Формат:** `no macfilter addsrc all macaddr vlanid`

**Режим ввода команд:** глобальная конфигурация

### ***show mac-address-table static***

Эта команда отображает данные о статической MAC-фильтрации для всех статических MAC-фильтров. Если указать ключевое слово *all*, будут отображены все статические MAC-фильтры в системе. Если указано значение для *macaddr*, необходимо также ввести значение *vlanid*, и тогда система отобразит информацию статической MAC-фильтрации только для данного MAC-адреса и VLAN.

**Формат:** `show mac-address-table static {macaddr vlanid | all}`

**Режим ввода команд:** привилегированный

<i>Термин</i>	<i>Значение</i>
MAC Address	MAC-адрес записи статической MAC-фильтрации.
VLAN ID	Идентификатор VLAN-записи статичной MAC-фильтрации.
Source Port(s)	Порт(ы) набора фильтров



**Списки портов места назначения будут только у фильтров групповых адресов.**

### ***show mac-address-table staticfiltering***

Эта команда отображает записи статической фильтрации в таблице коммутации многоадресной рассылки (MFDB).

**Формат:** `show mac-address-table staticfiltering`

**Режим ввода команд:** привилегированный

<i>Термин</i>	<i>Значение</i>
VLAN ID	VLAN, в которой был определен MAC-адрес.
MAC Address	Одноадресный MAC-адрес, для которого коммутатор переадресует или фильтрует данные. Как только будет определена информация из таблицы MFDB, адрес станет групповым. Указывается в формате шести двузначных номеров шестнадцатеричной системы, разделенных двоеточиями, например: 01:23:45:67:89:AB.

<b>Type</b>	Тип записи.
<b>Description</b>	Текстовое описание данной записи таблицы многоадресной коммутации.
<b>Interfaces</b>	Список интерфейсов, которые назначены для переадресации (Fwd:) и фильтрации (Flt:).

## 8.27 Настройка агента DHCP-ретранслятора уровня 2

Коммутатор можно настроить как агент DHCP-ретранслятора уровня 2 для ретрансляции DHCP-запросов от клиентов к агенту-ретранслятору уровня 3 или серверу. К DHCP-запросам, ретранслированным от клиентов к DHCP-серверу, можно добавить значения Circuit ID и Remote ID. Эта информация будет включена в DHCP-опцию 82, как указано в разделах 3.1 и 3.2 стандарта RFC3046.

### *dhcp l2relay*

Эта команда включает агент DHCP-ретранслятора уровня 2 для интерфейса, диапазона интерфейсов или всех интерфейсов. Последующие команды этой части могут быть выполнены только в случае, если агент DHCP-ретранслятора уровня 2 включен.

**Формат:** `dhcp l2relay`

**Режим ввода команд:** глобальная конфигурация  
конфигурирование интерфейса

### *no dhcp l2relay*

Команда выключает агент DHCP-ретранслятора уровня 2 для интерфейса или диапазона интерфейсов.

**Формат:** `no dhcp l2relay`

**Режим ввода команд:** глобальная конфигурация  
конфигурирование интерфейса

### *dhcp l2relay circuit-id subscription*

Эта команда устанавливает Circuit ID в DHCP-опции 82 для указанной сервисной подписки *subscription-string* на данном интерфейсе. *subscription-string* — это ряд символов, который для правильной работы должен совпадать с настроенным значением подписки DOT1AD. Если *circuit-id* включен с помощью этой команды, все запросы DHCP-клиентов, подпадающие под эту подписку, добавляются в *circuit-id* опции-82 как входящий номер интерфейса.

**Значение по умолчанию:** выключено

**Формат:** `dhcp l2relay circuit-id subscription subscription-string`

**Режим ввода команд:** конфигурирование интерфейса

### *no dhcp l2relay circuit-id subscription*

Эта команда сбрасывает значение Circuit ID в DHCP-опции 82 для указанной сервисной подписки, обозначающейся как *subscription-string* на данном интерфейсе

**Формат:** `no dhcp l2relay circuit-id subscription subscription-string`

Параметр	Описание
----------	----------



<b>vlan-list</b>	Идентификатор VLAN. Диапазон значений: 1–4094. Отдельные непоследовательные идентификаторы, разделенные запятой (,) без пробелов и нулей между диапазонами. Для диапазона используйте дефис (-).
------------------	--

### *no dhcp l2relay circuit-id vlan*

Этот параметр удаляет значение Circuit ID DHCP-опции 82 для VLAN.

**Формат:** no dhcp l2relay circuit-id vlan *vlan-list*

**Режим ввода команд:** глобальная конфигурация

### *dhcp l2relay remote-id subscription*

Эта команда устанавливает строку *Remote-ID* DHCP-опции 82 для сервисной подписки *subscription-string* на данном интерфейсе или диапазоне интерфейсов. *subscription-string* — это ряд символов, который для правильной работы должен совпадать с настроенным значением подписки DOT1AD. *remoteid-string* — это строка символов. Если *remote-id* включен с помощью этой команды, все запросы DHCP-клиентов, подпадающие под эту подписку, добавляются в *Remote-id* опции-82 как настроенная строка *remote-id*.

**Значение по умолчанию:** пустая строка

**Формат:** dhcp l2relay remote-id *remoteid-string* *subscription-name* *subscription-string*

**Режим ввода команд:** конфигурирование интерфейса

### *no dhcp l2relay remote-id subscription*

Эта команда сбрасывает строку Remote-ID DHCP-опции 82 для сервисной подписки *subscription-string* на данном интерфейсе.

**Формат:** no dhcp l2relay remote-id *remoteid-string* *subscription-name* *subscription-string*

**Режим ввода команд:** конфигурирование интерфейса

<i>Параметр</i>	<i>Описание</i>
<b>vlan-list</b>	Идентификатор VLAN. Диапазон значений: 1–4094. Отдельные непоследовательные идентификаторы, разделенные запятой (,) без пробелов и нулей между диапазонами. Для диапазона используйте дефис (-).

### *no dhcp l2relay remote-id vlan*

Этот параметр удаляет Remote-ID DHCP-опции 82 для VLAN и сервисной подписки (на основе имени подписки).

**Формат:** no dhcp l2relay remote-id vlan *vlan-list*

**Режим ввода команд:** глобальная конфигурация

### ***dhcp l2relay subscription***

Эта команда включает ретрансляцию DHCP-пакетов на интерфейсе или диапазоне интерфейсов, которые подпадают под указанную сервисную подписку. *subscription-string* — это ряд символов, который для правильной работы должен совпадать с настроенным значением подписки DOT1AD.

- Значение по умолчанию:** выключено (т. е. DHCP-пакеты не ретранслируются)  
**Формат:** `dhcp l2relay subscription-name subscription-string`  
**Режим ввода команд:** конфигурирование интерфейса

### ***no dhcp l2relay subscription***

Эта команда выключает ретрансляцию DHCP-пакетов на интерфейсе или диапазоне интерфейсов, которые подпадают под указанную сервисную подписку.

- Формат:** `no dhcp l2relay subscription-name subscription-string`  
**Режим ввода команд:** конфигурирование интерфейса

### ***dhcp l2relay trust***

Используйте данную команду для настройки интерфейса или диапазона интерфейсов как доверенных для принятия DHCP-пакетов с Опцией 82.

- Значение по умолчанию:** не доверенный  
**Формат:** `dhcp l2relay trust`  
**Режим ввода команд:** конфигурирование интерфейса

### ***no dhcp l2relay trust***

Используйте данную команду для настройки интерфейса или диапазона интерфейсов как не доверенных для принятия DHCP-пакетов с Опцией 82.

- Формат:** `no dhcp l2relay trust`  
**Режим ввода команд:** конфигурирование интерфейса

### ***dhcp l2relay vlan***

Используйте данную команду, чтобы включить агента DHCP-ретранслятора уровня 2 для набора VLAN. Все DHCP-пакеты, попадающие на интерфейсы в настроенных VLAN, подлежат ретрансляции уровня 2.

- Значение по умолчанию:** выключено  
**Формат:** `dhcp l2relay vlan vlan-List`  
**Режим ввода команд:** глобальная конфигурация

### ***dhcp l2relay remote-id vlan***

Этот параметр устанавливает Remote-ID DHCP-опции 82 для VLAN и сервисной подписки (на основе имени подписки).

- Формат:** `dhcp l2relay remote-id remote-id-string vlan vlan-List`  
**Режим ввода команд:** глобальная конфигурация

<b><i>Параметр</i></b>	<b><i>Описание</i></b>
------------------------	------------------------

<b>vlan-list</b>	Идентификатор VLAN. Диапазон значений: 1–4094. Отдельные непоследовательные идентификаторы, разделенные запятой (,) без пробелов и нулей между диапазонами. Для диапазона используйте дефис (-).
------------------	--

### *no dhcp l2relay vlan*

Используйте данную команду, чтобы выключить агента DHCP-ретранслятора уровня 2 для набора VLAN.

**Формат:** `no dhcp l2relay vlan vlan-list`

**Режим ввода команд:** глобальная конфигурация

### *show dhcp l2relay all*

Эта команда отображает сводную информацию настроек DHCP-ретранслятора уровня 2.

**Формат:** `show dhcp l2relay all`

**Режим ввода команд:** привилегированный

### *show dhcp l2relay circuit-id vlan*

Эта команда отображает конфигурацию circuit-id DHCP для VLAN.

**Формат:** `show dhcp l2relay circuit-id vlan vlan-list`

**Режим ввода команд:** привилегированный  
конфигурирование интерфейса

### *dhcp l2relay circuit-id vlan*

Этот параметр устанавливает значение Circuit ID DHCP-опции 82 для VLAN. После включения номер интерфейса добавляется как Circuit ID в DHCP-опции 82.

**Формат:** `dhcp l2relay circuit-id vlan vlan-list`

**Режим ввода команд:** глобальная конфигурация

<i>Параметр</i>	<i>Описание</i>
<b>vlan-list</b>	Идентификатор VLAN в диапазоне от 1 до 4094. Используйте дефис (-) для диапазона или запятые (,) для разделения отдельных идентификаторов VLAN. Использовать пробелы и нули нельзя.

### *show dhcp l2relay interface*

Эта команда отображает настройки DHCP ретранслятора для указанных интерфейсов.

**Формат:** `show dhcp l2relay interface {all | interface-num}`

**Режим ввода команд:** привилегированный

### *show dhcp l2relay remote-id vlan*

Данная команда отображает конфигурацию Remote-id DHCP для VLAN.

**Формат:** `show dhcp l2relay remote-id vlan vlan-list`

Режим ввода команд: привилегированный

Параметр	Описание
vlan-list	Идентификатор VLAN в диапазоне от 1 до 4094. Используйте дефис (-) для диапазона или запятые (,) для разделения отдельных идентификаторов VLAN. Использовать пробелы и нули нельзя.

### **show dhcp l2relay stats interface**

Данная команда отображает статистику интерфейсов с настроенными DHCP-ретрансляторами уровня 2.

**Формат:** show dhcp l2relay stats interface {all | interface-num}

Режим ввода команд: привилегированный

### **show dhcp l2relay subscription interface**

Эта команда отображает настройки DHCP-ретранслятора уровня 2 для указанных сервисных подписок на интерфейсе.

**Формат:** show dhcp l2relay subscription interface {all|interface-num}

Режим ввода команд: привилегированный

### **show dhcp l2relay agent-option vlan**

Данная команда отображает настройки Опции-82 DHCP-ретранслятора уровня 2 для конкретных VLAN.

**Формат:** show dhcp l2relay agent-option vlan vlan-range

Режим ввода команд: привилегированный

### **show dhcp l2relay vlan**

Эта команда отображает VLAN-настройки DHCP.

**Формат:** show dhcp l2relay vlan vlan-list

Режим ввода команд: привилегированный

Параметр	Описание
vlan-list	Идентификатор VLAN в диапазоне от 1 до 4094. Используйте дефис (-) для диапазона или запятые (,) для разделения отдельных идентификаторов VLAN. Использовать пробелы и нули нельзя.

### **clear dhcp l2relay statistics interface**

Используйте эту команду, чтобы сбросить счетчики DHCP-ретранслятора уровня 2. Необходимо указать порт, на котором нужно сбросить счетчики, или использовать ключевое слово all, чтобы сбросить счетчики на всех портах.

**Формат:** clear dhcp l2relay statistics interface {unit/slot/port | all}

Режим ввода команд: привилегированный

## 8.28 Команды настройки DHCP-клиента

Система может включать данные источника в запросов DHCP-клиента, передаваемые DHCP-серверу. Эта информация включена в параметр Vendor Class Identifier DHCP-опции 60. Информация является строкой, состоящей из 128 октетов.

### ***dhcp client vendor-id-option***

Эта команда включает добавление Vendor Class Identifier DHCP-опции 60 в запросы, передаваемые DHCP-серверу DHCP-клиентами, работающими на коммутаторе.

**Формат:** `dhcp client vendor-id-option string`

**Режим ввода команд:** глобальная конфигурация

### ***no dhcp client vendor-id-option***

Эта команда выключает добавление Vendor Class Identifier DHCP-опции 60 в запросы, передаваемые DHCP-серверу DHCP-клиентами, работающими на коммутаторе .

**Формат:** `no dhcp client vendor-id-option`

**Режим ввода команд:** глобальная конфигурация

### ***dhcp client vendor-id-option-string***

Этот параметр устанавливает строку DHCP-опции 60 для добавления к запросам, передаваемым DHCP-серверу DHCP-клиентами, работающими на коммутаторе.

**Формат:** `dhcp client vendor-id-option-string string`

**Режим ввода команд:** глобальная конфигурация

### ***no dhcp client vendor-id-option-string***

Этот параметр удаляет строку DHCP-опции 60.

**Формат:** `no dhcp client vendor-id-option-string`

**Режим ввода команд:** глобальная конфигурация

### ***show dhcp client vendor-id-option***

Эта команда отображает настроенный административный режим для VendorID Option и VendorID String, которые будут включены в опцию 60 DHCP-запросов.

**Формат:** `show dhcp client vendor-id-option`

**Режим ввода команд:** привилегированный

## 8.29 Команды настройки DHCP Snooping

Эта часть описывает команды, используемые для настройки DHCP Snooping.

### ***ip dhcp snooping***

Используйте данную команду, чтобы включить DHCP Snooping глобально.

**Значение по умолчанию:** выключено

---

**Формат:** ip dhcp snooping  
**Режим ввода команд:** глобальная конфигурация

### *no ip dhcp snooping*

Команда выключает DHCP Snooping глобально.

**Формат:** no ip dhcp snooping  
**Режим ввода команд:** глобальная конфигурация

### *ip dhcp snooping vlan*

Используйте эту команду, чтобы включить DHCP Snooping на списке диапазонов VLAN, перечисленных через запятую.

**Значение по умолчанию:** выключено  
**Формат:** ip dhcp snooping vlan *vlan-list*  
**Режим ввода команд:** глобальная конфигурация

### *no ip dhcp snooping vlan*

Используйте эту команду, чтобы выключить DHCP Snooping на указанных VLAN.

**Формат:** no ip dhcp snooping vlan *vlan-list*  
**Режим ввода команд:** глобальная конфигурация

### *ip dhcp snooping verify mac-address*

Команда включает проверку MAC-адреса источника в полученном DHCP-сообщении.

**Значение по умолчанию:** включено  
**Формат:** ip dhcp snooping verify mac-address  
**Режим ввода команд:** глобальная конфигурация

### *no ip dhcp snooping verify mac-address*

Используйте эту команду, чтобы выключить проверку MAC-адреса источника.

**Формат:** no ip dhcp snooping verify mac-address  
**Режим ввода команд:** глобальная конфигурация

### *ip dhcp snooping database*

Используйте эту команду, чтобы настроить постоянное расположение для базы данных DHCP Snooping. Расположение может быть локальным или в виде удаленного файла на устройстве с указанным IP-адресом.

**Значение по умолчанию:** local  
**Формат:** ip dhcp snooping database {local|tftp://hostIP/filename}  
**Режим ввода команд:** глобальная конфигурация

### ***ip dhcp snooping database write-delay***

Используйте эту команду, чтобы настроить интервал в секундах, за который база данных DHCP Snooping должна быть сохранена. Значение интервала находится в диапазоне от 15 до 86 400 секунд.

**Значение по умолчанию:** 300 секунд  
**Формат:** ip dhcp snooping database write-delay in seconds  
**Режим ввода команд:** глобальная конфигурация

### ***no ip dhcp snooping database write-delay***

Команда устанавливает *write-delay* в значение по умолчанию.

**Формат:** no ip dhcp snooping database write-delay  
**Режим ввода команд:** глобальная конфигурация

### ***ip dhcp snooping binding***

Команда для настройки статичной привязки DHCP Snooping.

**Формат:** ip dhcp snooping binding *mac-address* vlan *vlan id* ip address  
interface *interface id*  
**Режим ввода команд:** глобальная конфигурация

### ***no ip dhcp snooping binding***

Команда удаляет статичную запись DHCP из базы данных DHCP Snooping.

**Формат:** no ip dhcp snooping binding *mac-address*  
**Режим ввода команд:** глобальная конфигурация

### ***ip dhcp filtering trust***

Используйте эту команду, чтобы включить доверенный режим на интерфейсе, если сохраненная в прошлый раз конфигурация или примененный сценарий содержали эту команду.

**Формат:** ip dhcp filtering trust *interface id*  
**Режим ввода команд:** глобальная конфигурация

### ***no ip dhcp filtering trust***

Используйте эту команду, чтобы выключить доверенный режим на интерфейсе.

**Формат:** no ip dhcp filtering trust *interface id*  
**Режим ввода команд:** глобальная конфигурация

### ***ip verify binding***

Используйте данную команду, чтобы настроить статичные записи IP Source Guard (IPSG).

**Формат:** ip verify binding *mac-address* vlan *vlan id* ip address inter-  
face *interface id*  
**Режим ввода команд:** глобальная конфигурация

### *no ip verify binding*

Используйте данную команду, чтобы удалить статичную запись IPSG из базы данных IPSG.

**Формат:** `no ip verify binding mac-address vlan vlan id ip address interface interface id`

**Режим ввода команд:** глобальная конфигурация

### *ip dhcp snooping limit*

Команда помогает управлять скоростью, с которой сообщения DHCP Snooping приходят на интерфейс или диапазон интерфейсов. По умолчанию ограничение скорости выключено. Если ограничение включено, скорость может составлять от 0 до 300 пакетов в секунду. Диапазон уровней всплесков — от 1 до 15 секунд.

**Значение по умолчанию:** выключено (нет ограничений)

**Формат:** `ip dhcp snooping limit {rate pps [burst interval seconds]}`

**Режим ввода команд:** конфигурирование интерфейса

### *no ip dhcp snooping limit*

Команда устанавливает значение скорости, с которой приходят сообщения DHCP Snooping, и уровень всплесков в значения по умолчанию.

**Формат:** `no ip dhcp snooping limit`

**Режим ввода команд:** конфигурирование интерфейса

### *ip dhcp snooping log-invalid*

Используйте данную команду, чтобы управлять фильтрацией DHCP-сообщений для журнала DHCP Snooping. Данная команда может использоваться для настройки одного интерфейса или диапазона интерфейсов.

**Значение по умолчанию:** выключено

**Формат:** `ip dhcp snooping log-invalid`

**Режим ввода команд:** конфигурирование интерфейса

### *no ip dhcp snooping log-invalid*

Используйте данную команду, чтобы выключить фильтрацию DHCP-сообщений для журнала DHCP Snooping.

**Формат:** `no ip dhcp snooping log-invalid`

**Режим ввода команд:** конфигурирование интерфейса

### *ip dhcp snooping trust*

Используйте эту команду, чтобы настроить интерфейс или диапазон интерфейсов как доверенные.

**Значение по умолчанию:** выключено

**Формат:** `ip dhcp snooping trust`

**Режим ввода команд:** конфигурирование интерфейса



### *no ip dhcp snooping trust*

Команда настраивает порт как не доверенный.

**Формат:** no ip dhcp snooping trust

**Режим ввода команд:** конфигурирование интерфейса

### *ip verify source*

Используйте эту команду, чтобы настроить ID-атрибут IPSG-источника на аппаратную фильтрацию трафика. ID источника — это сочетание IP-адреса и MAC-адреса. Обычная команда позволяет фильтрацию трафика на основе IP-адреса. С опцией *port-security* трафик данных будет фильтроваться на основе IP-адресов и MAC-адресов.

Данная команда может использоваться для настройки одного интерфейса или диапазона интерфейсов.

**Значение по умолчанию:** IP-адрес — это ID источника

**Формат:** ip verify source {port-security}

**Режим ввода команд:** конфигурирование интерфейса

### *no ip verify source*

Используйте эту команду, чтобы выключить IPSG. Невозможно выключить отдельно *port-security*, если этот параметр настроен.

**Формат:** no ip verify source

**Режим ввода команд:** конфигурирование интерфейса

### *show ip dhcp snooping*

Используйте эту команду, чтобы отобразить глобальные настройки DHCP Snooping и настройки для каждого порта.

**Формат:** show ip dhcp snooping

**Режим ввода команд:** привилегированный  
пользовательский

<i>Термин</i>	<i>Значение</i>
<b>Interface</b>	Интерфейс, для которого отображается информация.
<b>Trusted</b>	Если включено, DHCP Snooping считает этот порт доверенным. Заводская настройка: disabled.
<b>Log Invalid Pkts</b>	Если включено, DHCP Snooping вносит в журнал на данном интерфейсе сбойные пакеты.

### *show ip dhcp snooping binding*

Используйте эту команду, чтобы отобразить записи привязки DHCP Snooping. Чтобы упорядочить вывод информации, используйте следующие опции:

- Dynamic: Ограничить вывод по DHCP Snooping.
- Interface: Ограничить вывод по определенному интерфейсу.
- Static: Ограничить вывод по статичным записям.
- VLAN: Ограничить вывод по VLAN.

**Формат:** `show ip dhcp snooping binding [{static/dynamic}] [interface unit/slot/port] [vlan id]`

**Режим ввода команд:** привилегированный  
пользовательский

<i>Термин</i>	<i>Значение</i>
MAC Address	Отображает MAC-адрес для добавленной привязки. MAC-адрес — это ключ к базе данных привязки.
IP Address	Отображает действительный IP-адрес для правил привязки.
VLAN	VLAN для правил привязки.
Interface	Интерфейс, к которому добавляется привязка интерфейса DHCP Snooping.
Type	Тип привязки: статично настроенная в CLI или определённая динамически.
Lease (sec)	Оставшийся срок аренды для записи.

### ***show ip dhcp snooping database***

Используйте эту команду, чтобы отобразить настройки DHCP Snooping, относящиеся к сохранению базы данных.

**Формат:** `show ip dhcp snooping database`

**Режим ввода команд:** привилегированный  
пользовательский

<i>Термин</i>	<i>Значение</i>
Agent URL	Привязки URL-агента базы данных.
Write Delay	Максимальное время записи базы данных (локальной или удаленной).

### ***show ip dhcp snooping interfaces***

Используйте эту команду, чтобы отобразить статус DHCP Snooping интерфейсов.

**Формат:** `show ip dhcp snooping interfaces`

**Режим ввода команд:** привилегированный

### ***show ip dhcp snooping statistics***

Используйте эту команду, чтобы перечислить статистику нарушений безопасности DHCP Snooping на ненадежных портах.

**Формат:** `show ip dhcp snooping statistics`

**Режим ввода команд:** привилегированный  
пользовательский

<i>Термин</i>	<i>Значение</i>
Interface	IP-адрес интерфейса в формате <i>unit/slot/port</i> .
MAC Verify Failures	Отображает количество DHCP-сообщений, отфильтрованных на ненадежных интерфейсах из-за несов-

	падения MAC-адреса источника и аппаратного адреса клиента.
<b>Client Ifc Mismatch</b>	Отображает количество DHCP-релизов и сообщений отказов, полученных на разных портах, определенных ранее.
<b>DHCP Server Msgs Rec'd</b>	Отображает количество сообщений DHCP-сервера, полученных от ненадежных портов.

### ***clear ip dhcp snooping binding***

Используйте данную команду, чтобы удалить все привязки DHCP Snooping на всех интерфейсах или указанном интерфейсе.

**Формат:** `clear ip dhcp snooping binding [interface unit/slot/port]`

**Режим ввода команд:** привилегированный  
пользовательский

### ***clear ip dhcp snooping statistics***

Команда очищает всю статистику DHCP Snooping.

**Формат:** `clear ip dhcp snooping statistics`

**Режим ввода команд:** привилегированный  
пользовательский

### ***show ip verify source***

Используйте данную команду, чтобы отобразить настройки IPSG на всех портах.

**Формат:** `show ip verify source`

**Режим ввода команд:** привилегированный  
пользовательский

<b>Термин</b>	<b>Значение</b>
<b>Interface</b>	IP-адрес интерфейса в формате <i>unit/slot/port</i> .
<b>Filter Type</b>	Может принимать одно из значений. <ul style="list-style-type: none"> <li>• <i>ip-mac</i>: Для фильтрации трафика на данном интерфейсе используется IP+MAC.</li> <li>• <i>ip</i>: Для фильтрации трафика на данном интерфейсе используется только IP.</li> </ul>
<b>IP Address</b>	IP-адрес интерфейса.
<b>MAC Address</b>	Если на интерфейсе не настроена фильтрация по MAC-адресу фильтрации, это поле остается пустым. Если на интерфейсе выключена защита портов, поле MAC Address отображает « <i>permit-all</i> ».
<b>VLAN</b>	VLAN для правил привязки.

### ***show ip verify interface***

Используйте данную команду, чтобы отобразить тип IPSG-фильтра для указанного интерфейса.

**Формат:** `show ip verify interface unit/slot/port`

**Режим ввода команд:** привилегированный

<i>Термин</i>	<i>Значение</i>
<b>Interface</b>	IP-адрес интерфейса в формате <i>unit/slot/port</i> .
<b>Filter Type</b>	<p>Может принимать одно из значений.</p> <ul style="list-style-type: none"> <li>• <i>ip-mac</i>: Для фильтрации трафика на данном интерфейсе используется IP+MAC.</li> <li>• <i>ip</i>: Для фильтрации трафика на данном интерфейсе используется только IP.</li> </ul>

### ***show ip source binding***

Используйте данную команду, чтобы отобразить привязки IPSG.

**Формат:** `show ip source binding [{dhcp-snooping|static}] [interface unit/slot/port] [vlan id]`

**Режим ввода команд:** привилегированный  
пользовательский

<i>Термин</i>	<i>Значение</i>
<b>MAC Address</b>	MAC-адрес обновленной записи.
<b>IP Address</b>	IP-адрес добавленной записи.
<b>Type</b>	Тип записи; статично настроенный с консоли или динамически определенный с помощью DHCP Snooping.
<b>VLAN</b>	VLAN записи.
<b>Interface</b>	IP-адрес интерфейса в формате <i>unit/slot/port</i> .

## **8.30 Команды настройки Dynamic ARP Inspection**

Dynamic ARP Inspection (DAI) — это функционал безопасности, который отклоняет недопустимые и вредоносные пакеты ARP. DAI предотвращает класс атак «man-in-the-middle», при которых недружественная станция перехватывает трафик других станций путем отравления ARP-кэша своих ничего не подозревающих соседей. Злоумышленник отправляет запросы ARP или ответы отображающие IP-адрес другой станции на свой собственный MAC-адрес.

DAI базируется на функционале DHCP Snooping. DHCP Snooping прослушивает обмен DHCP-сообщениями и создает базу данных привязки действительных {MAC-адрес, IP-адрес, VLAN и интерфейс} кортежей.

Если DAI включен, коммутатор отбрасывает ARP-пакеты, чьи MAC-адрес и IP-адрес отправителя не соответствуют записи в базе данных привязок DHCP Snooping. При желании можно настроить дополнительную проверку пакетов ARP.

### ***ip arp inspection vlan***

Используйте данную команду, чтобы включить Dynamic ARP Inspection на списке диапазонов VLAN, разделенных запятой.

**Значение по умолчанию:** выключено

**Формат:** `ip arp inspection vlan vlan-list`

**Режим ввода команд:** глобальная конфигурация

### *no ip arp inspection vlan*

Команда выключает Dynamic ARP Inspection на списке диапазонов VLAN, разделенных запятой.

**Формат:** `no ip arp inspection vlan vlan-list`

**Режим ввода команд:** глобальная конфигурация

### *ip arp inspection validate*

Используйте данную команду, чтобы включить дополнительные проверки source-mac, destination-mac и ip address для принятых ARP-пакетов. Каждая команда перекрывает настройки предыдущей команды. Например, если команда включает проверку достоверности src-mac и dst-mac, вторая команда включает только проверку IP, то src-mac и dst-mac будут выключены в результате выполнения второй команды.

**Значение по умолчанию:** выключено

**Формат:** `ip arp inspection validate {[src-mac] [dst-mac] [ip]}`

**Режим ввода команд:** глобальная конфигурация

### *no ip arp inspection validate*

Данная команда выключает дополнительные проверки для принятых ARP-пакетов.

**Формат:** `no ip arp inspection validate {[src-mac] [dst-mac] [ip]}`

**Режим ввода команд:** глобальная конфигурация

### *ip arp inspection vlan logging*

Используйте эту команду, чтобы включить запись в журнал неверных ARP-пакетов на списке диапазонов VLAN, разделенных запятой.

**Значение по умолчанию:** включено

**Формат:** `ip arp inspection vlan vlan-list logging`

**Режим ввода команд:** глобальная конфигурация

### *no ip arp inspection vlan logging*

Используйте эту команду, чтобы выключить запись в журнал неверных ARP-пакетов на списке диапазонов VLAN, разделенных запятой.

**Формат:** `no ip arp inspection vlan vlan-list logging`

**Режим ввода команд:** глобальная конфигурация

### *ip arp inspection trust*

Используйте данную команду, чтобы настроить интерфейс или диапазон интерфейсов как доверенный для Dynamic ARP Inspection.

**Значение по умолчанию:** включено

**Формат:** `ip arp inspection trust`

**Режим ввода команд:** конфигурирование интерфейса

### *no ip arp inspection trust*

Используйте данную команду, чтобы настроить интерфейс или диапазон интерфейсов как ненадежный для Dynamic ARP Inspection.

**Формат:** `no ip arp inspection trust`

**Режим ввода команд:** конфигурирование интерфейса

### *ip arp inspection limit*

Используйте данную команду, чтобы настроить ограничение скорости входящего трафика и значения интервала всплесков для интерфейса или диапазона интерфейсов. Настройка лимита как `none` означает, что интерфейс не ограничен в скорости для Dynamic ARP Inspections. Максимальное значение пакетов в секунду (pps) показанное в диапазоне для опции скорости может быть больше, чем предел возможностей аппаратного обеспечения. Поэтому необходимо быть в курсе производительности коммутатора и соответственно настраивать pps.



**Интерфейс будет принимать ограничение скорости для доверенных интерфейсов, но ограничение не будет применяться, если интерфейс настроен как ненадежный.**

**Значение по умолчанию:** 15 pps для скорости и 1 секунда для интервала-всплеска

**Формат:** `ip arp inspection limit {rate pps [burst interval seconds] | none}`

**Режим ввода команд:** конфигурирование интерфейса

### *no ip arp inspection limit*

Используйте данную команду, чтобы установить ограничение скорости входящего трафика и значения интервала всплесков для интерфейса в значения по умолчанию.

**Формат:** `no ip arp inspection limit`

**Режим ввода команд:** конфигурирование интерфейса

### *ip arp inspection filter*

Используйте эту команду, чтобы настроить ARP ACL, используемый для фильтрации неверных ARP-пакетов на списке диапазонов VLAN, разделенных запятой. Если указано ключевое слово `static`, пакеты, не совпадающие с указанным разрешением, отбрасываются без проверки соответствия с привязками DHCP Snooping.

**Значение по умолчанию:** ARP ACL для VLAN не настроен

**Формат:** `ip arp inspection filter acl-name vlan vlan-list [static]`

**Режим ввода команд:** глобальная конфигурация

### *no ip arp inspection filter*

Используйте эту команду, чтобы сбросить настройки ARP ACL, используемого для фильтрации неверных ARP-пакетов на списке диапазонов VLAN, разделенных запятой.

**Формат:** `no ip arp inspection filter acl-name vlan vlan-list [static]`

**Режим ввода команд:** глобальная конфигурация

## **arp access-list**

Команда создает ARP ACL.

**Формат:** arp access-list acl-name

**Режим ввода команд:** глобальная конфигурация

### *no arp access-list*

Используйте эту команду, чтобы удалить ARP ACL.

**Формат:** no arp access-list acl-name

**Режим ввода команд:** глобальная конфигурация

## **permit ip host mac host**

Используйте данную команду, чтобы настроить правило для комбинации IP-адреса и MAC-адреса, используемой при проверке ARP-пакетов.

**Формат:** permit ip host sender-ip mac host sender-mac

**Режим ввода команд:** конфигурирование списка контроля доступа ARP

### *no permit ip host mac host*

Используйте данную команду, чтобы удалить правило для комбинации IP-адреса и MAC-адреса.

**Формат:** no permit ip host sender-ip mac host sender-mac

**Режим ввода команд:** конфигурирование списка контроля доступа ARP

## **show ip arp inspection**

Команда отображает глобальную конфигурацию Dynamic ARP Inspection и настройки на всех VLAN. С аргументом `vlan-list` (т. е. диапазоны VLAN, разделенные запятой) команда отобразит глобальную конфигурацию и настройки всех VLAN для указанного списка VLAN. Режим глобальной конфигурации включает в себя информацию проверок `source mac`, `destination mac` и `invalid IP`.

**Формат:** show ip arp inspection [{interfaces unit/slot/port} vlan vlan-list]

**Режим ввода команд:** привилегированный  
пользовательский

<i>Термин</i>	<i>Значение</i>
<b>Source MAC Validation</b>	Показывает, включена ли проверка MAC-адресов источников ARP-кадров.
<b>Destination MAC Validation</b>	Показывает, включена ли проверка MAC-адресов места назначения ARP-кадров.
<b>IP Address Validation</b>	Показывает, включена ли проверка IP-адресов.
<b>VLAN</b>	Идентификатор VLAN для каждой отображаемой записи.
<b>Configuration</b>	Показывает, включен ли DAI на каждой VLAN.
<b>Log Invalid</b>	Показывает, включена ли на VLAN запись в журнал неверных ARP-пакетов.
<b>ACL Name</b>	Имя ARP ACL, если таковой настроен на VLAN.

Static Flag	Показывает, настроен ли ARP ACL на VLAN как статичный.
-------------	--

### ***show ip arp inspection statistics***

Используйте данную команду для отображения статистики ARP-пакетов, обработанных функцией Dynamic ARP Inspection. Используйте аргумент `vlan-list`, чтобы отобразить статистику для всех VLAN в списке, где включена DAI. Укажите один аргумент `vlan`, чтобы команда отобразила статистику для этой VLAN. Если ни один аргумент не указан, команда перечисляет сводную информацию по переадресованным и отброшенным ARP-пакетам.

**Формат:** `show ip arp inspection statistics [vlan vlan-list]`

**Режим ввода команд:** привилегированный  
пользовательский

<i>Термин</i>	<i>Значение</i>
<b>VLAN</b>	Идентификатор VLAN для каждой отображаемой строки.
<b>Forwarded</b>	Общее количество действительных ARP-пакетов, переадресованных в данной VLAN.
<b>Dropped</b>	Общее количество недействительных ARP-пакетов, отброшенных в данной VLAN.
<b>DHCP Drops</b>	Количество пакетов, отброшенных по причине несоответствия с базой данных DHCP Snooping.
<b>ACL Drops</b>	Количество пакетов, отброшенных по причине несоответствия с правилом ARP ACL.
<b>DHCP Permits</b>	Количество пакетов, разрешенных по причине соответствия с базой данных DHCP Snooping.
<b>ACL Permits</b>	Количество пакетов, разрешенных по причине соответствия с правилом ARP ACL.
<b>Bad Src MAC</b>	Количество пакетов, отброшенных по причине неудачного прохождения проверки MAC-адреса источника.
<b>Bad Dest MAC</b>	Количество пакетов, отброшенных по причине неудачного прохождения проверки MAC-адреса места назначения.
<b>Invalid IP</b>	Количество пакетов, отброшенных по причине неудачных проверок IP.

### ***clear ip arp inspection statistics***

Данная команда сбрасывает статистику Dynamic ARP Inspection на всех VLAN.

**Значение по умолчанию:** none

**Формат:** `clear ip arp inspection statistics`

**Режим ввода команд:** привилегированный

### ***show ip arp inspection interfaces***

Используйте данную команду для отображения настроек Dynamic ARP Inspection для всех интерфейсов с включенной DAI. Интерфейс считается доступным для DAI, если хотя бы одна VLAN, участником которой является данный интерфейс, доступна для DAI. При аргументе интерфейса



*unit/slot/port* команда отобразит значения для указанного интерфейса, независимо от того, доступен он для DAI или нет.

**Формат:** `show ip arp inspection interfaces [unit/slot/port]`

**Режим ввода команд:** привилегированный  
пользовательский

<i>Термин</i>	<i>Значение</i>
<b>Interface</b>	Идентификатор интерфейса для каждой отображаемой строки.
<b>Trust State</b>	Является ли интерфейс доверенным для DAI.
<b>Rate Limit</b>	Настроенное значение ограничения скорости в пакетах в секунду.
<b>Burst Interval</b>	Настроенное значение интервала всплеска в секундах.

### ***show arp access-list***

Команда отображает настроенные ARP ACL с правилами. При указании имени ARP ACL как аргумента, команда отобразит только правила указанного ARP ACL.

**Формат:** `show arp access-list [acl-name]`

**Режим ввода команд:** привилегированный  
пользовательский

## **8.31 Команды настройки IGMP Snooping**

В этой части перечислены команды, используемые для настройки IGMP Snooping. Программное обеспечение поддерживает IGMP версий 1, 2 и 3. Функция IGMP Snooping может помочь сохранить пропускную способность, т.к. она позволяет коммутатору пересылать многоадресный трафик только для подключенных хостов, которые запрашивают многоадресный трафик. IGMPv3 добавляет к версиям IGMP 1 и 2 возможности фильтрации трафика.



**В данном примечании разъясняется определение приоритетов конфигураций MGLD Snooping. Многие команды из протокола IGMP/MLD Snooping доступны и в режиме конфигурирования интерфейса, и в режиме конфигурирования VLAN. В оперативном отношении система для большинства конфигураций выбирает значения сконфигурированные на VLAN, значениям, которые настроены на интерфейсе, если интерфейс участвует в VLAN.**

### ***set igmp***

Эта команда включает IGMP Snooping в системе (в режиме глобальной конфигурации), на интерфейсе или диапазоне интерфейсов. Команда также включает IGMP Snooping в определенной VLAN (режим настройки VLAN) и может запустить IGMP Snooping на всех интерфейсах, участвующих в VLAN.

Если интерфейс, на котором включено IGMP Snooping, делают доступным для маршрутизации или включают в список участников LAG, функции IGMP Snooping на данном интерфейсе выключаются. Функции IGMP Snooping на интерфейсе включаются повторно, если интерфейс выключить для маршрутизации или удалить его из участников агрегированного интерфейса.

IGMP-snooping поддерживает следующие действия.

- Проверка контрольной суммы заголовка IP (а также контрольной суммы заголовка IGMP) и отбрасывание кадра после ошибки в контрольной сумме.
- Ведение записей таблицы пересылки на основе MAC-адресов в сравнении с IP-адресами.
- Пересылка незарегистрированных пакетов многоадресной передачи на все порты в VLAN.

**Значение по умолчанию:** выключено

**Формат:** `set igmp [vlan_id]`

**Режим ввода команд:** глобальная конфигурация  
конфигурирование интерфейса  
конфигурирование VLAN

### *no set igmp*

Эта команда выключает IGMP Snooping в системе, на интерфейсе, диапазоне интерфейсов или в VLAN.

**Формат:** `no set igmp [vlan_id]`

**Режим ввода команд:** глобальная конфигурация  
конфигурирование интерфейса  
конфигурирование VLAN

### *set igmp header-validation*

Эта команда включает для IGMP-сообщений проверку заголовков. Когда проверка заголовков включена, IGMP Snooping проверяет следующие параметры.

- Поле TTL в заголовке IP протокола IGMP (и отбрасывает пакеты, где TTL не равно 1). Поле TTL всегда должно быть установлено как 1 в заголовках IP отчетов и запросов IGMP.
- Наличие маршрутизатора опции оповещений (9404) в заголовке IP-пакета сообщения IGMPv2 (и отбрасывает пакеты, которые не включают эту опцию).
- Наличие маршрутизатора опции оповещений (9404) и ToS байт = 0xC0 (Internet Control) в заголовке IP-пакета для IGMPv3 сообщения (и отбрасывает пакеты, которые не включают эти варианты).

**Значение по умолчанию:** включено

**Формат:** `set igmp header-validation`

**Режим ввода команд:** глобальная конфигурация

### *no set igmp header-validation*

Эта команда выключает проверку заголовков для IGMP-сообщений.

**Формат:** `no set igmp header-validation`

**Режим ввода команд:** глобальная конфигурация

### *set igmp interfacemode*

Данная команда включает IGMP Snooping на всех интерфейсах. Если интерфейс, на котором включено IGMP Snooping, делают доступным для маршрутизации или включают в список участников LAG, функции IGMP Snooping на данном интерфейсе выключаются. Функции IGMP

Snooping на интерфейсе включаются повторно, если этот интерфейс выключить для маршрутизации или удалить его из участников агрегированного интерфейса.

**Значение по умолчанию:** выключено  
**Формат:** set igmp interfacemode  
**Режим ввода команд:** глобальная конфигурация

### *no set igmp interfacemode*

Эта команда выключает IGMP Snooping на всех интерфейсах.

**Формат:** no set igmp interfacemode  
**Режим ввода команд:** глобальная конфигурация

### *set igmp fast-leave*

Данная команда включает режим немедленного удаления групп IGMP Snooping на выбранном интерфейсе, диапазоне интерфейсов или VLAN. Запуск немедленной очистки позволяет коммутатору немедленно удалить интерфейс LAN 2 уровня из записи таблицы соответствия при получении IGMP Leave-сообщения для соответствующей многоадресной группы.

Включать административный режим немедленного удаления групп следует только на VLAN. Это предотвращает случайный сброс других хостов, которые подключены к одному порту LAN уровня, но по-прежнему заинтересованы в получении трафика многоадресной рассылки, направленного на эту группу. Кроме того, процессы немедленной очистки поддерживаются только хостами с версией IGMP 2.

**Значение по умолчанию:** выключено  
**Формат:** set igmp fast-leave [vlan\_id]  
**Режим ввода команд:** конфигурирование интерфейса конфигурирование диапазона интерфейсов конфигурирование VLAN

### *no set igmp fast-leave*

Эта команда выключает административный режим немедленного удаления групп IGMP Snooping на выбранном интерфейсе.

**Формат:** no set igmp fast-leave [vlan\_id]  
**Режим ввода команд:** конфигурирование интерфейса конфигурирование диапазона интерфейсов конфигурирование VLAN

### *set igmp groupmembership-interval*

Эта команда устанавливает время интервала участия в группе IGMP на VLAN, одном интерфейсе, диапазоне интерфейсов или всех интерфейсах. Интервал участия в группе IGMP — это время в секундах, которое коммутатор ожидает получения запроса от определенной группы на определенном интерфейсе перед тем, как удалить интерфейс из записи. Это значение должно быть больше значения максимального времени отклика IGMPv3. Диапазон — от 2 до 3600 секунд.

**Значение по умолчанию:** 260 секунд  
**Формат:** set igmp groupmembership-interval [vlan\_id] 2-3600  
**Режим ввода команд:** конфигурирование интерфейса  
 глобальная конфигурация

***no set igmp groupmembership-interval***

Данная команда устанавливает время интервала участия в группе IGMP в значение по умолчанию.

**Формат:** `no set igmp groupmembership-interval [vlan_id]`

**Режим ввода команд:** конфигурирование интерфейса  
глобальная конфигурация  
конфигурирование VLAN

***set igmp maxresponse***

Эта команда устанавливает максимальное время отклика IGMP в системе, на определенном интерфейсе, VLAN или диапазоне интерфейсов. Максимальное время отклика IGMP — это время ожидания коммутатора в секундах после того, как коммутатор пошлет запрос на интерфейс, не получив запрос от определенной группы на этом интерфейсе. Это значение должно быть меньше, чем значение интервала запросов IGMP. Диапазон — от 1 до 25 секунд.

**Значение по умолчанию:** 10 секунд

**Формат:** `set igmp maxresponse [vlan_id] 1-25`

**Режим ввода команд:** глобальная конфигурация  
конфигурирование интерфейса  
конфигурирование VLAN

***no set igmp maxresponse***

Эта команда устанавливает максимальное время отклика (на интерфейсе или VLAN) в значение по умолчанию.

**Формат:** `no set igmp maxresponse [vlan_id]`

**Режим ввода команд:** глобальная конфигурация  
конфигурирование интерфейса  
конфигурирование VLAN

***set igmp mcrtrexpiretime***

Данная команда устанавливает продолжительность для Multicast Router Present Expiration. Это значение устанавливается для системы, отдельного интерфейса или VLAN, или на диапазоне интерфейсов. Время в секундах, которое коммутатор ожидает принятия сообщений на интерфейсе, прежде чем интерфейс удаляется из списка интерфейсов с подсоединенными маршрутизаторами многоадресной рассылки. Диапазон — от 0 до 3600 секунд. Значение 0 означает бесконечное время, т. е. отсутствие срока истечения.

**Значение по умолчанию:** 0

**Формат:** `set igmp mcrtrexpiretime [vlan_id] 0-3600`

**Режим ввода команд:** глобальная конфигурация  
конфигурирование интерфейса  
конфигурирование VLAN

### *no set igmp mcrtrexpiretime*

Эта команда устанавливает время Multicast Router Present Expiration в значение по умолчанию (0). Это значение устанавливается для системы, отдельного интерфейса или VLAN.

**Формат:** `no set igmp mcrtrexpiretime [vlan_id]`

**Режим ввода команд:** глобальная конфигурация  
конфигурирование интерфейса  
конфигурирование VLAN

**Формат:** `no set igmp mcrtrexpiretime vlan_id`

**Режим ввода команд:** конфигурирование VLAN

### *set igmp mrouter*

Эта команда настраивает идентификатор VLAN (*vlan\_id*), на которой включен режим маршрутизатора многоадресной рассылки.

**Формат:** `set igmp mrouter vlan_id`

**Режим ввода команд:** конфигурирование интерфейса

### *no set igmp mrouter*

Эта команда выключает режим маршрутизатора многоадресной рассылки для определенного идентификатора VLAN (*vlan\_id*).

**Формат:** `no set igmp mrouter vlan_id`

**Режим ввода команд:** конфигурирование интерфейса

### *set igmp mrouter interface*

Данная команда настраивает интерфейс или диапазон интерфейсов как интерфейс маршрутизатора многоадресной рассылки. В этом режиме интерфейс рассматривается как интерфейс маршрутизатора многоадресной рассылки во всех VLAN.

**Значение по умолчанию:** выключено

**Формат:** `set igmp mrouter interface`

**Режим ввода команд:** конфигурирование интерфейса

### *no set igmp mrouter interface*

Данная команда выключает статус интерфейса как статично настроенного интерфейса маршрутизатора многоадресной рассылки.

**Формат:** `no set igmp mrouter interface`

**Режим ввода команд:** конфигурирование интерфейса

### *set igmp report-suppression*

Используйте эту команду для сдерживания IGMP-сообщений на данном идентификаторе VLAN. Чтобы оптимизировать несколько сообщений, проходящих через сеть без каких-либо дополнительных преимуществ, применяется механизм сдерживания сообщений. Когда более одного клиента отвечают на запрос MGMTD для того же адреса группы мультивещания в max-response-time, на запрос адресуется только первый отклик, а другие сдерживаются на коммутаторе.

**Значение по умолчанию:** выключено

**Формат:** `set igmp report-suppression vlan-id`

**Режим ввода команд:** конфигурирование VLAN

Параметр	Описание
<code>vlan-id</code>	Действительный идентификатор VLAN. Допустимые значения: от 1 до 4094.

### *no set igmp report-suppression*

Используйте эту команду для возвращения настроек системы по умолчанию.

**Формат:** `no set igmp report-suppression`

**Режим ввода команд:** конфигурирование VLAN

### *show igmpsnooping*

Данная команда отображает информацию IGMP Snooping для указанного *unit/slot/port* или VLAN. Настроенная информация отобразится независимо от того, включена функция IGMP Snooping или нет.

**Формат:** `show igmpsnooping [unit/slot/port | vlan_id]`

**Режим ввода команд:** привилегированный

Если необязательные аргументы *unit/slot/port* или *vlan\_id* не используются, команда отобразит следующую информацию.

Термин	Значение
<b>Admin Mode</b>	Указывает, активна ли функция IGMP Snooping на коммутаторе.
<b>Multicast Control Frame Count</b>	Количество многоадресных кадров управления, которые обрабатываются процессором.
<b>Interface Enabled for IGMP Snooping</b>	Список интерфейсов, где включена IGMP Snooping.
<b>VLANS Enabled for IGMP Snooping</b>	Список VLAN, где включена IGMP Snooping.

Если указано значение *unit/slot/port*, отображается следующая информация:

Термин	Значение
<b>IGMP Snooping Admin Mode</b>	Указывает, активна ли IGMP Snooping на интерфейсе.
<b>Fast Leave Mode</b>	Указывает, активно ли на интерфейсе немедленное удаление групп IGMP Snooping.
<b>Group Membership Interval</b>	Время в секундах, которое коммутатор ожидает получения сообщения от определенной группы на определенном интерфейсе перед тем, как удалить интерфейс из записи. Это значение настраивается.
<b>Maximum Response Time</b>	Время ожидания коммутатора в секундах после того, как коммутатор пошлет запрос на интерфейс, не получив сообщение от определенной группы на этом интерфейсе. Это значение настраивается.
<b>Multicast Router Expiry Time</b>	Время ожидания коммутатора перед тем, как интерфейс удаляется из списка интерфейсов с подсоединенными маршрутизаторами многоадресной рассылки. Интерфейс удаляется, если не получено сообщение. Это значение настраивается.

Если указать значение *vlan\_id*, отображается следующая информация.

<i>Термин</i>	<i>Значение</i>
<b>VLAN ID</b>	Идентификатор VLAN.
<b>IGMP Snooping Admin Mode</b>	Указывает, активна ли на VLAN функция IGMP Snooping.
<b>Fast Leave Mode</b>	Указывает, активно ли на VLAN немедленное удаление групп IGMP Snooping.
<b>Group Membership Interval (secs)</b>	Время в секундах, которое коммутатор ожидает получения сообщения от определенной группы на определенном интерфейсе, который участвует в VLAN, перед тем, как удалить интерфейс из записи. Это значение настраивается.
<b>Maximum Response Time (secs)</b>	Время ожидания коммутатора в секундах после того, как коммутатор пошлет запрос на интерфейс, который участвует в VLAN, не получив сообщения от определенной группы на этом интерфейсе. Это значение настраивается.
<b>Multicast Router Expiry Time (secs)</b>	Время ожидания коммутатора перед тем, как интерфейс, который участвует в VLAN, удаляется из списка интерфейсов с подсоединенными маршрутизаторами многоадресной рассылки. Интерфейс удаляется, если не получено сообщение. Это значение настраивается.
<b>Report Suppression Mode</b>	Указывает, включено ли сдерживание IGMP-сообщений.

### ***show igmpsnooping mrouter interface***

Данная команда отображает информацию о статично настроенных портах IGMP-маршрутизатора.

**Формат:** `show igmpsnooping mrouter interface unit/slot/port`

**Режим ввода команд:** привилегированный

<i>Термин</i>	<i>Значение</i>
<b>Interface</b>	Порт, для которого отображается информация маршрутизатора многоадресной рассылки.
<b>Multicast Router Attached</b>	Указывает, включен ли на интерфейсе маршрутизатор многоадресной рассылки статично.
<b>VLAN ID</b>	Список VLAN, участником которых является интерфейс.

### ***show igmpsnooping mrouter vlan***

Данная команда отображает информацию о статично настроенных портах IGMP-маршрутизатора.

**Формат:** `show igmpsnooping mrouter vlan unit/slot/port`

**Режим ввода команд:** привилегированный

<i>Термин</i>	<i>Значение</i>
<b>Interface</b>	Порт, для которого отображается информация маршрутизатора многоадресной рассылки.

VLAN ID	Список VLAN, участником которых является интерфейс.
---------	---

### **show igmpsnooping ssm**

Эта команда отображает информацию об операциях Source Specific Multicasting (SSM) по записи, группе или статистике. SSM доступны только при использовании IGMPv3 и MLDv2.

**Формат:** `show igmpsnooping ssm {entries | groups | stats}`

**Режим ввода команд:** привилегированный

### **show mac-address-table igmpsnooping**

Данная команда отображает записи IGMP Snooping в таблице MFDB.

**Формат:** `show mac-address-table igmpsnooping`

**Режим ввода команд:** привилегированный

<i>Термин</i>	<i>Значение</i>
VLAN ID	VLAN, в которой был определен MAC-адрес.
MAC Address	Групповой MAC-адрес, для которого коммутатор переадресует или фильтрует информацию. Указывается в формате шести двузначных номеров шестнадцатеричной системы, разделенных двоеточиями, например: 01:23:45:67:89:AB.
Type	Тип записи, который может быть статичным (добавлена пользователем) или динамическим (добавлен в таблицу в результате процесса работы протокола).
Description	Текстовое описание данной записи таблицы многоадресной коммутации.
Interfaces	Список интерфейсов, которые назначены для переадресации (Fwd:) и фильтрации (Flt:)

## **8.32 Команды настройки опрашивающего устройства IGMP Snooping**

В IGMP Snooping требуется, чтобы центральный коммутатор или маршрутизатор периодически отправляли запросы на все конечные устройства сети для анонсирования участия в многоадресных рассылках. Центральное устройство называется опрашивающим устройством IGMP. Ответы на IGMP-запросы (IGMP Query), известные как IGMP-сообщения (IGMP Report), держат коммутатор в курсе текущего участия каждого порта в многоадресной рассылке. Если коммутатор периодически не получает обновленной информации об участниках, он останавливает переадресацию многоадресного трафика на соответствующие порты конечных устройств.

Эта часть описывает команды, используемые для настройки и отображения информации об опрашивающих устройствах IGMP Snooping в сети и отдельно на VLAN.



**В данном примечании разъясняется определение приоритетов конфигураций MGMT Snooping. Многие команды из протокола IGMP/MLD Snooping доступны и в режиме конфигурирования интерфейса, и в режиме конфигурирования VLAN. В оперативном отношении система для большинства конфигураций выбирает значения сконфигурированные на VLAN, значениям, которые настроены на интерфейсе, если интерфейс участвует в VLAN.**



### ***set igmp querier***

Используйте данную команду, чтобы включить опрашивающее устройство IGMP Snooping в системе (в режиме глобальной конфигурации) или на VLAN. С помощью команды можно указать IP-адрес, который опрашивающее устройство отслеживания будет использовать в качестве адреса-источника во время генерации периодических запросов.

Если на VLAN включено опрашивающее устройство IGMP Snooping, а сама функция выключена, опрашивание на этой VLAN также будет выключено. Опрашивающее устройство включится снова, когда на VLAN будет включена функция IGMP Snooping.



**IP-адрес опрашивающего устройства IGMP-отслеживания, назначенный VLAN, имеет более высокий приоритет, чем сконфигурированный глобально.**

Приложение опрашивающего устройства IGMP Snooping поддерживает отправку периодических общих запросов на VLAN, чтобы запросить отчет об участии.

**Значение по умолчанию:** выключено

**Формат:** `set igmp querier [vlan-id] [address ipv4_address]`

**Режим ввода команд:** глобальная конфигурация  
VLAN Mode

### ***no set igmp querier***

Используйте данную команду, чтобы выключить в системе опрашивающее устройство IGMP Snooping. Используйте необязательный параметр address, чтобы установить адрес опрашивающего как 0.0.0.0.

**Формат:** `no set igmp querier [vlan-id] [address]`

**Режим ввода команд:** глобальная конфигурация  
VLAN Mode

### ***set igmp querier query-interval***

Используйте эту команду, чтобы установить интервал запроса опрашивающего устройства IGMP. Это время в секундах, которое коммутатор ожидает перед тем, как повторно послать общий запрос.

**Значение по умолчанию:** 60

**Формат:** `set igmp querier query-interval 1-1800`

**Режим ввода команд:** глобальная конфигурация

### ***no set igmp querier query-interval***

Используйте данную команду, чтобы установить интервал запроса опрашивающего устройства IGMP в значение по умолчанию.

**Формат:** `no set igmp querier query-interval`

**Режим ввода команд:** глобальная конфигурация

### ***set igmp querier timer expiry***

Используйте данную команду, чтобы установить период истечения запроса IGMP. Это период времени, в течение которого коммутатор остается в режиме Non-Querier с тех пор, как он обнаружил, что в сети присутствует многоадресное опрашивающее устройство.

**Значение по умолчанию:** 125 секунд  
**Формат:** set igmp querier timer expiry 60-300  
**Режим ввода команд:** глобальная конфигурация

### ***no set igmp querier timer expiry***

Используйте эту команду, чтобы установить период истечения запроса IGMP в значение по умолчанию.

**Формат:** no set igmp querier timer expiry  
**Режим ввода команд:** глобальная конфигурация

### ***set igmp querier version***

Используйте эту команду, чтобы установить версию запроса IGMP, который коммутатор будет отправлять периодически.

**Значение по умолчанию:** 1  
**Формат:** set igmp querier version 1-2  
**Режим ввода команд:** глобальная конфигурация

### ***no set igmp querier version***

Используйте эту команду, чтобы установить версию опрашивающего устройства IGMP в значение по умолчанию.

**Формат:** no set igmp querier version  
**Режим ввода команд:** глобальная конфигурация

### ***set igmp querier election participate***

Используйте данную команду, чтобы позволить опрашивающему устройству отслеживания участвовать в процессе выбора опрашивающего, когда оно обнаружит присутствие еще одного опрашивающего в сети VLAN. При этом режиме, если опрашивающий отслеживания обнаруживает, что адрес другого опрашивающего лучше (меньше), чем его адрес, он перестает посылать периодические запросы. Если опрашивающий выигрывает в выборе, он продолжит посылать периодические запросы.

**Значение по умолчанию:** выключено  
**Формат:** set igmp querier election participate  
**Режим ввода команд:** конфигурирование VLAN

### ***no set igmp querier election participate***

Используйте данную команду, чтобы запретить опрашивающему устройству участвовать в процессе выбора опрашивающего, но при этом выходить из режима опрашивающего устройства, как только он обнаружит присутствие другого опрашивающего в той же VLAN.

**Формат:** no set igmp querier election participate

**Режим ввода команд:** конфигурирование VLAN

### **show igmpsnooping querier**

Используйте эту команду, чтобы отобразить информацию опрашивающего устройства IGMP Snooping. Настроенная информация отобразится независимо от того, включена функция IGMP Snooping или нет.

**Формат:** show igmpsnooping querier [{detail | vlan *vlanid*}]

**Режим ввода команд:** привилегированный

Если опциональный параметр *vlanid* не используется, команда отобразит следующую информацию:

<b>Термин</b>	<b>Значение</b>
<b>Admin Mode</b>	Указывает, активно ли на коммутаторе опрашивающее устройство IGMP Snooping.
<b>Admin Version</b>	Версия IGMP, которая будет использоваться при отправке запросов.
<b>Querier Address</b>	IP-адрес, используемый в IPv4-заголовке при отправке IGMP-запросов. Настраивается с помощью соответствующей команды.
<b>Query Interval</b>	Время в секундах, которое ожидает опрашивающее устройство перед тем, как отправить периодический общий запрос.
<b>Expiry Interval</b>	Количество времени, которое ожидает не опрашивающее устройство перед тем, как перейти в режим опрашивающего.

Если указать значение *vlanid*, команда отобразит следующую информацию:

<b>Термин</b>	<b>Значение</b>
<b>VLAN Admin Mode</b>	Указывает, активно ли опрашивающее устройство IGMP Snooping на данной VLAN.
<b>VLAN Operational State</b>	Указывает, в каком статусе находится опрашивающее устройство IGMP Snooping. Если коммутатор находится в статусе <i>Querier</i> , он будет отправлять периодические общие запросы. При статусе <i>Non-Querier</i> он будет ожидать перемещения в статус <i>Querier</i> и не будет отправлять запросов.
<b>VLAN Operational Max Response Time</b>	Время ожидания после получения Leave-сообщения, прежде чем удалить Leave хоста. Это значение рассчитывается динамически на основании запросов, получаемых от сети. Если коммутатор Snooping находится в режиме опрашивающего, это значение будет равно настроенному.
<b>Querier Election Participation</b>	Указывает, участвует ли опрашивающее устройство IGMP Snooping в выборах опрашивающего, если обнаруживает присутствие другого опрашивающего в VLAN.
<b>Querier VLAN Address</b>	IP-адрес, используемый в IPv4-заголовке при отправке IGMP-запросов в данной VLAN. Настраивается с помощью соответствующей команды.

<b>Operational Version</b>	Версия IGMP, используемая при отправке IGMP-запросов на данной VLAN.
<b>Last Querier Address</b>	Указывает IP-адрес опрашивающего устройства, с которого был получен последний запрос.
<b>Last Querier Version</b>	Указывает версию IGMP последнего опрашивающего, от которого был получен запрос на данной VLAN.

При использовании необязательного аргумента *detail* команда отображает глобальную информацию и данные по всем сетям VLAN, включенным для данного опрашивающего устройства.

### 8.33 Команды настройки MLD Snooping

Этот раздел описывает команды, используемые для настройки MLD Snooping. В IPv4 коммутаторы уровня 2 могут использовать IGMP Snooping, чтобы ограничить поток многоадресного трафика путем динамической конфигурации интерфейсов уровня 2 таким образом, чтобы многоадресный трафик направлялся только интерфейсам, связанным с IP-адресами многоадресной рассылки. MLD Snooping в IPv6 выполняет похожую функцию. С функцией MLD Snooping данные многоадресной рассылки IPv6 выборочно направляется к списку портов, которые желают получить данные, вместо передачи на все порты VLAN. Список портов составляется путем отслеживания многоадресных IPv6-пакетов управления.



**В данном примечании разъясняется определение приоритетов конфигураций MGLD Snooping. Многие команды из протокола IGMP/MLD Snooping доступны и в режиме конфигурирования интерфейса, и в режиме конфигурирования VLAN. В оперативном отношении система для большинства конфигураций выбирает значения сконфигурированные на VLAN, значениям, которые настроены на интерфейсе, если интерфейс участвует в VLAN.**

#### *set mld*

Эта команда включает MLD Snooping в системе (режим глобальной конфигурации) или на интерфейсе (режим конфигурирования интерфейса). Команда также включает MLD Snooping на определенной VLAN и на всех интерфейсах, участвующих в данной VLAN.

Если интерфейс, на котором включено MLD Snooping, делают доступным для маршрутизации или включают в список участников LAG, функции MLD Snooping на данном интерфейсе выключаются. MLD Snooping запускается на нем снова, если выключить маршрутизацию или удалить интерфейс из участников LAG.

MLD Snooping поддерживает следующие действия.

- Подтверждение адреса, версии, согласованность длины полезной нагрузки и отбрасывание кадра при ошибке.
- Ведение записей таблицы пересылки на основе MAC-адресов в сопоставлении с IPv6-адресами.
- Пересылка незарегистрированных пакетов многоадресной передачи на все порты в VLAN.

**Значение по умолчанию:** выключено

**Формат:** `set mld vlanid`

**Режим ввода команд:** глобальная конфигурация  
конфигурирование интерфейса  
VLAN Mode

### *no set mld*

Используйте эту команду для выключения MLD Snooping в системе.

**Формат:** `set mld vlanid`

**Режим ввода команд:** глобальная конфигурация  
конфигурирование интерфейса  
VLAN Mode

### ***set mld interfacemode***

Эта команда включает MLD Snooping на всех интерфейсах. Если интерфейс, на котором включено MLD Snooping, делают доступным для маршрутизации или включают в список участников LAG, функции MLD Snooping на данном интерфейсе выключаются. MLD Snooping запускается на нем снова, если выключить маршрутизацию или удалить интерфейс из участников LAG.

**Значение по умолчанию:** выключено

**Формат:** `set mld interfacemode`

**Режим ввода команд:** глобальная конфигурация

### *no set mld interfacemode*

Используйте данную команду, чтобы выключить MLD Snooping на всех интерфейсах.

**Формат:** `no set mld interfacemode`

**Режим ввода команд:** глобальная конфигурация

### ***set mld fast-leave***

Используйте данную команду, чтобы включить административный режим быстрого удаления групп MLD Snooping на выбранном интерфейсе или VLAN. Запуск быстрого удаления позволяет коммутатору немедленно удалять интерфейс LAN уровня 2 из записи таблицы переадресации при получении MLD-сообщения о удалении для многоадресной группы без предварительной отправки общих запросов на основе MAC к тому интерфейсу.



**Включать административный режим быстрого удаления следует только на VLAN, где хост соединен с каждым портом LAN 2 уровня. Это предотвращает случайный сброс других хостов, которые подключены к тому же порту LAN 2 уровня, но по-прежнему заинтересованных в получении трафика многоадресной рассылки, направленного на эту группу.**

**Значение по умолчанию:** выключено

**Формат:** `set mld fast-leave vlanid`

**Режим ввода команд:** конфигурирование интерфейса  
VLAN Mode

### *no set mld fast-leave*

Используйте эту команду, чтобы выключить административный режим быстрого удаления групп MLD Snooping на выбранном интерфейсе.

**Формат:** `no set mld fast-leave vlanid`

**Режим ввода команд:** конфигурирование интерфейса

***set mld groupmembership-interval***

Используйте данную команду, чтобы установить время интервала участия в группе MLD на VLAN, одном интерфейсе или всех интерфейсах. Интервал участия в группе MLD — это время в секундах, которое коммутатор ожидает получения сообщения от определенной группы на определенном интерфейсе перед тем, как удалить интерфейс из группы. Это значение должно быть больше значения максимального времени отклика MLDv2. Диапазон — от 2 до 3600 секунд.

**Значение по умолчанию:** 260 секунд  
**Формат:** `set mld groupmembership-interval vlanid 2-3600`  
**Режим ввода команд:** конфигурирование интерфейса  
глобальная конфигурация  
VLAN Mode

***no set groupmembership-interval***

Используйте эту команду, чтобы установить интервал участия в группе MLD в значение по умолчанию.

**Формат:** `no set mld groupmembership-interval`  
**Режим ввода команд:** конфигурирование интерфейса  
глобальная конфигурация  
VLAN Mode

***set mld maxresponse***

Используйте данную команду, чтобы установить максимальное время отклика MLDv2 для всей системы, на определенном интерфейсе или VLAN. Максимальное время отклика MLDv2 — это время ожидания коммутатора в секундах после того, как пошлет запрос на интерфейс, не получив сообщение от определенной группы на этом интерфейсе. Это значение должно быть меньше, чем значение интервала запросов MLD. Диапазон — от 1 до 65 секунд.

**Значение по умолчанию:** 10 секунд  
**Формат:** `set mld maxresponse 1-65`  
**Режим ввода команд:** глобальная конфигурация  
конфигурирование интерфейса  
VLAN Mode

***no set mld maxresponse***

Используйте эту команду, чтобы установить максимальное время отклика (на интерфейсе или VLAN) в значение по умолчанию.

**Формат:** `no set mld maxresponse`  
**Режим ввода команд:** глобальная конфигурация  
конфигурирование интерфейса  
VLAN Mode

### ***set mld mcrtexpiretime***

Данная команда устанавливает время Multicast Router Present Expiration. Это время устанавливается для системы, отдельного интерфейса или VLAN. Время в секундах, которое коммутатор ожидает принятия запросов на интерфейсе, прежде чем интерфейс удаляется из списка интерфейсов с подсоединенными маршрутизаторами многоадресной рассылки. Диапазон — от 0 до 3600 секунд. Значение 0 означает бесконечное время, т. е. отсутствие срока истечения.

**Значение по умолчанию:** 0

**Формат:** `set mld mcrtexpiretime vLanid 0-3600`

**Режим ввода команд:** глобальная конфигурация  
конфигурирование интерфейса

### ***no set mld mcrtexpiretime***

Эта команда устанавливает время Multicast Router Present Expiration в значение по умолчанию (0). Это значение устанавливается для системы, отдельного интерфейса или VLAN.

**Формат:** `no set mld mcrtexpiretime vLanid`

**Режим ввода команд:** глобальная конфигурация  
конфигурирование интерфейса

### ***set mld mrouter***

Используйте эту команду для настройки VLAN, на которой включен режим маршрутизатора многоадресной рассылки.

**Формат:** `set mld mrouter vLanid`

**Режим ввода команд:** конфигурирование интерфейса

### ***no set mld mrouter***

Используйте эту команду для выключения режима маршрутизатора многоадресной рассылки для VLAN с указанным идентификатором.

**Формат:** `no set mld mrouter vLanid`

**Режим ввода команд:** конфигурирование интерфейса

### ***set mld mrouter interface***

Используйте данную команду для настройки интерфейса как интерфейса с подключенным маршрутизатором многоадресной рассылки. В этом режиме интерфейс во всех VLAN рассматривается как интерфейс маршрутизатора многоадресной рассылки.

**Значение по умолчанию:** выключено

**Формат:** `set mld mrouter interface`

**Режим ввода команд:** конфигурирование интерфейса

### ***no set mld mrouter interface***

Используйте данную команду для выключения статуса интерфейса как статично настроенного интерфейса маршрутизатора многоадресной рассылки.

**Формат:** `no set mld mrouter interface`

Режим ввода команд: конфигурирование интерфейса

### **show mld snooping**

Данная команда используется для отображения информации MLD Snooping. Настроенная информация отображается независимо от того, включена функция MLD Snooping или нет.

**Формат:** show mld snooping [unit/slot/port | vlanid]

**Режим ввода команд:** привилегированный

Если необязательные аргументы *unit/slot/port* или *vlanid* не используются, команда отобразит следующую информацию.

<i>Термин</i>	<i>Значение</i>
<b>Admin Mode</b>	Указывает, активна ли функция MLD Snooping на коммутаторе.
<b>Interfaces Enabled for MLD Snooping</b>	Список интерфейсов, на которых включена функция MLD Snooping.
<b>MLD Control Frame Count</b>	Отображает количество MLD-кадров управления, обработанных процессором.
<b>VLANs Enabled for MLD Snooping</b>	Список VLAN, на которых включена MLD Snooping.

Если указано значение *unit/slot/port*, отображается следующая информация.

<i>Термин</i>	<i>Значение</i>
<b>MLD Snooping Admin Mode</b>	Указывает, активна ли MLD Snooping на интерфейсе.
<b>Fast Leave Mode</b>	Указывает, активно ли на интерфейсе быстрое удаление MLD Snooping.
<b>Group Membership Interval</b>	Время в секундах, которое коммутатор ожидает сообщения от определенной группы на определенном интерфейсе, прежде чем удалить интерфейс из записи. Это значение настраивается.
<b>Max Response Time</b>	Отображает время ожидания коммутатора после того, как пошлет запрос на интерфейс, который участвует в VLAN, не получив сообщения от определенной группы на этом интерфейсе. Это значение настраивается.
<b>Multicast Router Present Expiration Time</b>	Отображает время ожидания коммутатора перед тем, как интерфейс, который участвует в VLAN, удаляется из списка интерфейсов с подсоединенными маршрутизаторами многоадресной рассылки. Интерфейс удаляется, если не получен запрос. Это значение настраивается.

Если указать значение для *vlanid*, команда отобразит следующую информацию:

<i>Термин</i>	<i>Значение</i>
<b>VLAN Admin Mode</b>	Указывает, активна ли на VLAN функция MLD Snooping.

### **show mld snooping mrouter interface**

Команда для отображения информации о статически настроенных интерфейсах с подключенными маршрутизаторами многоадресной рассылки.

**Формат:** show mld snooping mrouter interface unit/slot/port



Режим ввода команд: привилегированный

Термин	Значение
Interface	Порт, для которого отображается информация маршрутизатора многоадресной рассылки.
Multicast Router Attached	Указывает, включен ли на интерфейсе маршрутизатор многоадресной рассылки статически.
VLAN ID	Список VLAN, участником которых является интерфейс.

### **show mld Snooping mrouter vlan**

Используйте эту команду для отображения информации о статически настроенных интерфейсах с подключенными маршрутизаторами многоадресной рассылки.

**Формат:** `show mld Snooping mrouter vlan unit/slot/port`

Режим ввода команд: привилегированный

Термин	Значение
Interface	Порт, для которого отображается информация маршрутизатора многоадресной рассылки.
VLAN ID	Список VLAN, участником которых является интерфейс.

### **show mld Snooping ssm entries**

Команда используется для отображения таблицы коммутации многоадресной рассылки, созданной с помощью MLD Snooping.

Данная комбинация {Source, Group, VLAN} может иметь несколько интерфейсов в режиме INCLUDE, и несколько — в режиме EXCLUDE. Для таких случаев для одинаковых комбинаций {Source, Group, VLAN} отображаются две строки.

**Формат:** `show mld Snooping ssm entries`

Режим ввода команд: привилегированный

Термин	Значение
VLAN	VLAN, на которой определена запись.
Group	IPv6-адрес группы многоадресной рассылки.
Source	IPv6-адрес источника.
Source Filter Mode	Режим фильтра источника (Include/Exclude) для указанной группы. 1) Если фильтр источника находится в режиме Include, то IP-адрес источника равен источнику текущей записи, IP-адрес места назначения равен текущей группе записи, и идентификатор VLAN, на который он прибыл, — это VLAN текущей записи. 2) Если фильтр источника находится в режиме Exclude, то IP-адрес источника *не* равен источнику текущей записи, IP-адрес места назначения равен текущей группе записи, и идентификатор VLAN, на которую он прибыл, — это VLAN текущей записи.

Interfaces	Указывает список интерфейсов, на которые направляется входящий пакет.
------------	---

### ***show mld Snooping ssm stats***

Используйте данную команду для отображения статистики SSMFDB MLD Snooping. Дополнительные опции у команды нет.

**Формат:** `show mld Snooping ssm stats`

**Режим ввода команд:** привилегированный

<i>Термин</i>	<i>Значение</i>
Total Entries	Общее возможное количество записей, которые могут быть в SSMFDB MLD Snooping.
Most SSMFDB Entries Ever Used	Наибольшее количество записей, которое было зарегистрировано в SSMFDB MLD Snooping.
Current Entries	Текущее количество записей в SSMFDB MLD Snooping.

### ***show mld Snooping ssm groups***

Используйте эту команду, чтобы отобразить информацию об участниках SSM-группы MLD.

**Формат:** `show mld Snooping ssm groups`

**Режим ввода команд:** привилегированный

<i>Термин</i>	<i>Значение</i>
VLAN	VLAN, на которой получено сообщение MLD v2.
Group	IPv6-адрес группы многоадресной рассылки.
Interface	Интерфейс, на котором получено сообщение MLD v2.
Reporter	IPv6-адрес хоста, который отправил сообщение MLD v2.
Source Filter Mode	Режим источника (Include/Exclude) для указанной группы.
Source Address List	Список IP-адресов источника, для которых запрошена фильтрация источника.

### ***show mac-address-table mld Snooping***

Используйте данную команду, чтобы отобразить записи MLD Snooping в таблице коммутации многоадресной рассылки (MFDB).

**Формат:** `show mac-address-table mld Snooping`

**Режим ввода команд:** привилегированный

<i>Термин</i>	<i>Значение</i>
VLAN ID	VLAN, в которой был определен MAC-адрес.
MAC Address	Групповой MAC-адрес, для которого коммутатор переадресует или фильтрует информацию. Указывается в формате шести двузначных номеров шестнадцатеричной системы, разделенных двоеточиями, на-

	пример: 01:23:45:67:89:AB.
<b>Type</b>	Тип записи, который может быть статичным (добавлена пользователем) или динамическим (добавлен в таблицу в результате процесса или работы протокола).
<b>Description</b>	Текстовое описание данной записи таблицы многоадресной коммутации.
<b>Interfaces</b>	Список интерфейсов, которые назначены для переадресации (Fwd:) и фильтрации (Flt:).

### ***clear mld Snooping***

Данная команда удаляет все записи MLD Snooping в таблице MFDB.

**Формат:** clear mld Snooping

**Режим ввода команд:** привилегированный

## **8.34 Команды настройки опрашивающего устройства MLD Snooping**

В контексте IPv6 MLD Snooping требует, чтобы один центральный коммутатор или маршрутизатор периодически отправляли запросы на все конечные устройства сети для подтверждения их участия в многоадресных рассылках. Такое центральное устройство называется опрашивающим устройством MLD. Сообщения на MLD-запросы, также называемые MLD-сообщениями, обновляют данные коммутатора о текущем составе группы многоадресной рассылки с детализацией на уровне портов. Если коммутатор периодически не получает обновленной информации об участниках, он останавливает переадресацию многоадресного трафика на соответствующие порты конечных устройств.

Этот подраздел описывает команды, используемые для настройки и отображения информации о запросах MLD Snooping в сети и отдельно на VLAN.



**В данном примечании разъясняется определение приоритетов конфигураций MGMD Snooping. Многие команды из протокола IGMP/MLD Snooping доступны и в режиме конфигурирования интерфейса, и в режиме конфигурирования VLAN. В оперативном отношении система для большинства конфигураций выбирает значения сконфигурированные на VLAN, значениям, которые настроены на интерфейсе, если интерфейс участвует в VLAN.**

### ***set mld querier***

Используйте данную команду, чтобы включить опрашивающее устройство MLD Snooping в системе (в режиме глобальной конфигурации) или на VLAN. С помощью этой команды можно указать IP-адрес, который опрашивающее устройство будет использовать в качестве адреса-источника при генерации периодических запросов.

Если на VLAN включено опрашивающее устройство MLD Snooping, а сама функция оперативно выключена, опрашивание на этой VLAN также будет выключено. Опрашивающее устройство включится снова на VLAN, когда будет включена функция MLD Snooping.

Опрашивающее устройство MLD Snooping отправляет периодические общие запросы на VLAN, чтобы получить отчет об участниках.

**Значение по умолчанию:** выключено

**Формат:** set mld querier [vLan-id] [address ipv6\_address]

**Режим ввода команд:** глобальная конфигурация  
VLAN Mode

### *no set mld querier*

Используйте эту команду для выключения опрашивающего устройства MLD Snooping в системе. Используйте необязательный параметр address, чтобы сбросить адрес опрашивающего устройства.

**Формат:** no set mld querier [vlan-id][address]

**Режим ввода команд:** глобальная конфигурация  
конфигурирование VLAN

### *set mld querier query\_interval*

Используйте эту команду, чтобы установить интервал запроса опрашивающего устройства MLD. Это время в секундах, которое коммутатор ожидает перед тем, как повторно послать общий запрос.

**Значение по умолчанию:** 60 секунд

**Формат:** set mld querier query\_interval 1-1800

**Режим ввода команд:** глобальная конфигурация

### *no set mld querier query\_interval*

Используйте данную команду, чтобы установить интервал запроса опрашивающего устройства MLD в значение по умолчанию.

**Формат:** no set mld querier query\_interval

**Режим ввода команд:** глобальная конфигурация

### *set mld querier timer expiry*

Используйте данную команду, чтобы установить период истечения запроса MLD. Это период времени, в течение которого коммутатор остается в режиме Non-Querier с тех пор, как он обнаружил, что в сети присутствует многоадресное опрашивающее устройство.

**Значение по умолчанию:** 60 секунд

**Формат:** set mld querier timer expiry 60-300

**Режим ввода команд:** глобальная конфигурация

### *no set mld querier timer expiry*

Используйте эту команду, чтобы установить период истечения запроса MLD в значение по умолчанию.

**Формат:** no set mld querier timer expiry

**Режим ввода команд:** глобальная конфигурация

### *set mld querier election participate*

Используйте данную команду, чтобы позволить опрашивающему устройству участвовать в процессе выбора опрашивающего, когда оно обнаружит присутствие еще одного опрашивающего в сети VLAN. При этом режиме, если опрашивающий обнаруживает, что адрес другого

опрашивающего лучше (меньше), чем его адрес, он перестает посылать периодические запросы. Если опрашивающий выигрывает в выборе, он продолжит посылать периодические запросы.

**Значение по умолчанию:** выключено  
**Формат:** `set mld querier election participate`  
**Режим ввода команд:** конфигурирование VLAN

*no set mld querier election participate*

Команда используется, чтобы запретить опрашивающему устройству участвовать в процессе выбора опрашивающего, но при этом выходить из режима опрашивающего устройства, как только он обнаружит присутствие другого опрашивающего в той же VLAN.

**Формат:** `no set mld querier election participate`  
**Режим ввода команд:** конфигурирование VLAN

### *show mldsnoothing querier*

Данная команда используется для отображения данных опрашивающего устройства MLD Snooping. Настроенная информация отображается независимо от того, включено опрашивающее устройство MLD Snooping или нет.

**Формат:** `show mldsnoothing querier [{detail | vlan vlanid}]`  
**Режим ввода команд:** привилегированный

Если необязательный параметр *vlanid* не используется, команда отобразит следующую информацию:

<i>Термин</i>	<i>Значение</i>
<b>Admin Mode</b>	Указывает, активно ли на коммутаторе опрашивающее устройство MLD Snooping.
<b>Admin Version</b>	Версия MLD, которая будет использоваться при отправке запросов. Значение по умолчанию — MLD v1, изменить эту настройку нельзя.
<b>Querier Address</b>	IP-адрес, используемый в IPv6-заголовке при отправке MLD-запросов. Настраивается с помощью соответствующей команды.
<b>Query Interval</b>	Время в секундах, которое ожидает опрашивающее устройство перед тем, как отправить периодический общий запрос.
<b>Querier Timeout</b>	Время ожидания не опрашивающего устройства перед тем, как перейти в режим опрашивающего.

Если указать значение для *vlanid*, команда отобразит следующую информацию:

<i>Термин</i>	<i>Значение</i>
<b>VLAN Admin Mode</b>	Указывает, активно ли опрашивающее устройство MLD Snooping на данной VLAN.
<b>VLAN Operational State</b>	Указывает, в каком статусе находится опрашивающее устройство MLD Snooping. Если коммутатор находится в статусе Querier, он будет отправлять периодические общие запросы. При статусе Non-Querier он будет ожидать перемещения в статус

	Querier и не будет отправлять запросов.
<b>VLAN Operational Max Response Time</b>	Время ожидания после получения Leave-запроса, прежде чем удалить Leave хоста. Это значение рассчитывается динамически на основании запросов, получаемых от сети. Если коммутатор Snooping находится в режиме опрашивающего, это значение будет равно настроенному
<b>Querier Election Participate</b>	Указывает, участвует ли опрашивающее устройство MLD Snooping в выборах опрашивающего, если обнаруживает присутствие другого опрашивающего в VLAN.
<b>Querier VLAN Address</b>	IP-адрес, используемый в IPv4-заголовке при отправке MLD-запросов в данной VLAN. Настраивается с помощью соответствующей команды.
<b>Operational Version</b>	Версия IPv6, используемая при отправке MLD-запросов на данной VLAN.
<b>Last Querier Address</b>	Указывает IP-адрес опрашивающего устройства, с которого был получен последний запрос.
<b>Last Querier Version</b>	Версия MLD опрашивающего устройства, с которого был получен последний запрос.

При использовании необязательного аргумента *detail* команда отображает глобальную информацию и данные по всем сетям VLAN, включенным для данного опрашивающего устройства.

### 8.35 Команды настройки Port Security

Этот подраздел описывает команды, используемые для настройки Port Security на коммутаторе. Port Security, известная как MAC-привязка, позволяет повысить безопасность сети путем блокировки допустимых MAC-адресов на данном порте. Пакеты с совпадающим MAC-адресом источника направляются обычным образом, все остальные пакеты отбрасываются.



**Чтобы включить SNMP-трап для Port Security определенного порта, см. команду `snmp-server enable traps violation`.**

#### *port-security*

Данная команда включает привязку MAC-адрес на интерфейсе, диапазоне интерфейсов или на системном уровне.

**Значение по умолчанию:** выключено

**Формат:** `port-security`

**Режим ввода команд:** глобальная конфигурация (чтобы включить привязку порта глобально) конфигурирование интерфейса (чтобы включить привязку порта на интерфейсе или диапазоне интерфейсов)

#### *no port-security*

Данная команда выключает привязку порта на одном порте (режим конфигурирования интерфейса) или всех портах (режим глобальной конфигурации).

**Формат:** `no port-security`

**Режим ввода команд:** глобальная конфигурация  
конфигурирование интерфейса

### ***port-security max-dynamic***

Эта команда устанавливает максимальное количество динамически привязанных MAC-адресов, допустимых на определенном порте. Диапазон допустимых значений: 0–600.

**Значение по умолчанию:** 600

**Формат:** port-security max-dynamic *maxvalue*

**Режим ввода команд:** конфигурирование интерфейса

### ***no port-security max-dynamic***

Эта команда устанавливает максимальное количество динамически привязанных MAC-адресов, допустимых на определенном порте, в значение по умолчанию.

**Формат:** no port-security max-dynamic

**Режим ввода команд:** конфигурирование интерфейса

### ***port-security max-static***

Данная команда устанавливает максимальное количество статично привязанных MAC-адресов, допустимых на определенном порте. Диапазон допустимых значений: 0–20.

**Значение по умолчанию:** 1

**Формат:** port-security max-static *maxvalue*

**Режим ввода команд:** конфигурирование интерфейса

### ***no port-security max-static***

Эта команда устанавливает максимальное количество статично привязанных MAC-адресов, допустимых на определенном порте, в значение по умолчанию.

**Формат:** no port-security max-static

**Режим ввода команд:** конфигурирование интерфейса

### ***port-security mac-address***

Данная команда добавляет MAC-адрес в список статически привязанных MAC-адресов для интерфейса или диапазона интерфейсов. Параметр *vid* — это идентификатор VLAN.

**Формат:** port-security mac-address *mac-address vid*

**Режим ввода команд:** конфигурирование интерфейса

### ***no port-security mac-address***

Команда удаляет MAC-адрес из списка статически привязанных MAC-адресов.

**Формат:** `no port-security mac-address mac-address vid`

**Режим ввода команд:** конфигурирование интерфейса

### ***port-security mac-address move***

Эта команда переводит все динамически привязанные MAC-адреса в статически привязанные адреса для интерфейса или диапазона интерфейсов.

**Формат:** `port-security mac-address move`

**Режим ввода команд:** конфигурирование интерфейса

### ***port-security mac-address sticky***

Эта команда включает режим *sticky* для MAC-привязки порта на интерфейсе. Если добавить MAC-адрес и идентификатор VLAN (только в режиме конфигурирования интерфейса), то в режиме *sticky* MAC-адрес добавится в список статически привязанных MAC-адресов. Такие *sticky*-адреса конвертируются обратно в динамические адреса в случае, если выключить на порте режим *sticky*. Параметр `<vid>` — это идентификатор VLAN. При выполнении в режиме глобальной конфигурации команда применяет режим *sticky* ко всем действующим интерфейсам (физическим и LAG). Глобального *sticky*-режима как такового не существует.

*Sticky*-адреса, которые определяются динамически, отобразятся при команде *show running-config* как записи по схеме `port-security mac-address sticky <mac> <vid>`. Это отличает их от статических записей.

**Формат:** `port-security mac-address sticky [<mac-address> <vid>]`

**Режим ввода команд:** глобальная конфигурация  
конфигурирование интерфейса

### ***no port-security mac-address sticky***

Форма отмены **no**-команды удаляет *sticky*-режим. MAC-адрес *sticky* может быть удален с помощью команды `no port-security mac-address <mac-address> <vid>`.

**Формат:** `no port-security mac-address sticky [<mac-address> <vid>]`

**Режим ввода команд:** глобальная конфигурация  
конфигурирование интерфейса

### ***mac-address-table limit***

Данная команда устанавливает предельное число MAC-адресов для соответствующего `vlan-id`.

**Значение по умолчанию:** выключено

**Формат:** `mac-address-table limit [action shutdown] [notification trap] [maximum-num] [vlan vlan-id]`

**Режим ввода команд:** глобальная конфигурация

<i>Параметр</i>	<i>Описание</i>
<code>[action shutdown]</code>	После достижения предельного количества MAC-адресов это действие выключит все порты, участвующие в VLAN.
<code>[notification trap]</code>	Включает сообщения журнала по достижении пре-



	дельного количества MAC-адресов.
[maximum-num]	Настраиваемое предельное количество MAC-адресов.
[vlan vlan]	VLAN, на которой применяется MAC-ограничение.

### *no mac-address-table limit*

Данная команда выключает ограничение числа MAC-адресов для соответствующей *vlan-id*.

**Значение по умолчанию:** выключено

**Формат:** `no mac-address-table limit [action shutdown] [notification trap] [maximum-num] [vlan vlan-id]`

**Режим ввода команд:** глобальная конфигурация

### *show port-security*

Эта команда отображает настройки защиты портов для порта или нескольких портов. Без использования дополнительных параметров команда отобразит административный режим защиты портов. Для отображения настроек определенного интерфейса или группы интерфейсов используйте необязательные параметры. Вместо параметра *unit/slot/port* можно использовать *lag lag-intf-num* как альтернативный вариант определения LAG-интерфейса. Параметр *lag lag-intf-num* также можно использовать для определения конкретного LAG-интерфейса, при этом значение *lag-intf-num* должно указывать номер порта LAG.

**Формат:** `show port-security [{unit/slot/port | all}]`

**Режим ввода команд:** привилегированный

<i>Термин</i>	<i>Значение</i>
<b>Admin Mode</b>	Режим привязки портов для системы в целом. Отображается при отсутствии дополнительных параметров.

При указании конкретного интерфейса выводится следующая информация.

<i>Термин</i>	<i>Значение</i>
<b>Admin Mode</b>	Режим привязки портов для данного интерфейса.
<b>Dynamic Limit</b>	Максимальное количество динамически присвоенных MAC-адресов.
<b>Static Limit</b>	Максимальное количество статически присвоенных MAC-адресов.
<b>Violation Trap Mode</b>	Показывает, включены ли трапы для нарушений.
<b>Sticky Mode</b>	Административный режим функции sticky-режима защиты портов на интерфейсе.

### *show port-security dynamic*

Эта команда отображает динамически привязанные MAC-адреса для данного порта. Вместо параметра *unit/slot/port* можно использовать *lag lag-intf-num* как альтернативный вариант определения LAG-интерфейса. Параметр *lag lag-intf-num* можно использовать для определения конкретного LAG-интерфейса, при этом значение *lag-intf-num* должно указывать номер порта LAG.

**Формат:** `show port-security dynamic unit/slot/port`

Режим ввода команд: привилегированный

Термин	Значение
MAC Address	Динамически привязанный MAC-адрес.

### **show port-security static**

Эта команда отображает статически привязанные MAC-адреса для данного порта. Вместо параметра *unit/slot/port* можно использовать *lag lag-intf-num* как альтернативный вариант определения LAG-интерфейса. Параметр *lag lag-intf-num* также можно использовать для определения конкретного LAG-интерфейса, при этом значение *lag-intf-num* должно указывать номер порта LAG.

**Формат:** `show port-security static {unit/slot/port | lag lag-intf-num}`

Режим ввода команд: привилегированный

Параметр	Описание
Statically Configured MAC Address	Статично настроенный MAC-адрес.
VLAN ID	Идентификатор VLAN, включающей хост с указанным MAC-адресом.
Sticky	Указывает, добавлена ли статичная MAC-запись в sticky-режиме.

### **show port-security violation**

Данная команда отображает MAC-адрес источника последнего пакета, отброшенного на защищённом порте. Вместо параметра *unit/slot/port* можно использовать *lag lag-intf-num* как альтернативный вариант определения LAG-интерфейса. Параметр *lag lag-intf-num* также можно использовать для определения конкретного LAG-интерфейса, при этом значение *lag-intf-num* должно указывать номер порта LAG.

**Формат:** `show port-security violation {unit/slot/port | lag lag-id}`

Режим ввода команд: привилегированный

Термин	Значение
MAC Address	MAC-адрес источника последнего кадра, отброшенного на защищённом интерфейсе.
VLAN ID	Идентификатор VLAN (если применимо) связанный с MAC-адресом последнего кадра, отброшенного на защищённом интерфейсе.

### **show mac-address-table limit**

Эта команда отображает конфигурацию ограничения числа MAC-адресов.

**Формат:** `show mac-address-table limit [vlan-id]`

Режим ввода команд: привилегированный

Термин	Значение
--------	----------

VLAN ID	Идентификатор VLAN , на которой настроена привязка.
---------	---

### 8.36 Команды настройки протокола LLDP (802.1AB)

Эта часть описывает команды, которые используются для настройки протокола Link Layer Discovery Protocol (LLDP), определенного в спецификации IEEE 802.1AB. LLDP позволяет станциям на LAN анонсировать основные возможности и физические описания устройства. Анонсирование позволяет системе управления сетью (NMS) иметь доступ к этой информации и отображать ее.

#### ***lldp transmit***

Используйте данную команду, чтобы включить возможность анонсирования LLDP на интерфейсе или диапазоне интерфейсов.

**Значение по умолчанию:** включено  
**Формат:** `lldp transmit`  
**Режим ввода команд:** конфигурирование интерфейса

#### ***no lldp transmit***

Используйте данную команду, чтобы выключить возможность анонсирования LLDP.

**Формат:** `no lldp transmit`  
**Режим ввода команд:** конфигурирование интерфейса

#### ***lldp receive***

Используйте данную команду, чтобы включить возможность получения LLDP на интерфейсе или диапазоне интерфейсов.

**Значение по умолчанию:** включено  
**Формат:** `lldp receive`  
**Режим ввода команд:** конфигурирование интерфейса

#### ***no lldp receive***

Используйте данную команду, чтобы выключить возможность получения LLDPDU.

**Формат:** `no lldp receive`  
**Режим ввода команд:** конфигурирование интерфейса

#### ***lldp timers***

Используйте эту команду, чтобы установить параметры таймеров для передачи данных на портах с включенным LLDP. Параметр *interval-seconds* определяет ожидание в секундах перед тем, как передавать локальные данные LLDPDU. Диапазон — от 1 до 32 768 секунд. Параметр *hold-value* — это множитель интервала передачи, который устанавливает TTL для локальной данных LLDPDU. Диапазон множителя: 2–10. *reinit-seconds* — это задержка перед повторной инициализацией, диапазон 1–10 секунд.

**Значение по умолчанию:** `interval — 30 секунд`

hold — 4  
reinit—2 секунды

**Формат:** `lldp timers [interval interval-seconds] [hold hold-value]  
[reinit reinit-seconds]`

**Режим ввода команд:** глобальная конфигурация

### *no lldp timers*

Используйте эту команду для сброса одного или всех параметров таймеров передачи данных на портах с включенным LLDP в значения по умолчанию.

**Формат:** `no lldp timers [interval] [hold] [reinit]`

**Режим ввода команд:** глобальная конфигурация

### *lldp transmit-tlv*

Используйте эту команду для указания необязательного значения TLV в наборе базового управления 802.1AB, которые будут передаваться в LLDPDU от интерфейса или от диапазона интерфейсов. Используйте параметр *sys-name*, чтобы передавать TLV системного имени. Используйте параметр *sys-desc*, чтобы передавать TLV системного описания. Используйте параметр *sys-cap*, чтобы передавать TLV системных возможностей. Используйте параметр *port-desc*, чтобы передавать TLV описания порта.

**Значение по умолчанию:** необязательные TLV не включаются

**Формат:** `lldp transmit-tlv [sys-desc] [sys-name] [sys-cap] [port-desc]`

**Режим ввода команд:** конфигурирование интерфейса

### *no lldp transmit-tlv*

Используйте данную команду, чтобы удалить необязательные значения TLV из LLDPDU. Используйте команду без параметров, чтобы удалить все необязательные TLV из LLDPDU.

**Формат:** `no lldp transmit-tlv [sys-desc] [sys-name] [sys-cap] [port-desc]`

**Режим ввода команд:** конфигурирование интерфейса

### *lldp transmit-mgmt*

Команда включает передачу информации об адресе локальной системы управления в LLDPDU. Данная команда может использоваться для настройки одного интерфейса или диапазона интерфейсов.

**Формат:** `lldp transmit-mgmt`

**Режим ввода команд:** конфигурирование интерфейса

### *no lldp transmit-mgmt*

Команда выключает передачу информации об адресе локальной системы управления в LLDPDU. Используйте эту команду, чтобы выключить передачу информации об управлении в LLDPDU.

**Формат:** no lldp transmit-mgmt  
**Режим ввода команд:** конфигурирование интерфейса

### ***lldp notification***

Используйте эту команду, чтобы включить уведомления об изменениях удаленных данных на интерфейсе или диапазоне интерфейсов.

**Значение по умолчанию:** выключено  
**Формат:** lldp notification  
**Режим ввода команд:** конфигурирование интерфейса

### ***no lldp notification***

Эта команда выключает оповещения.

**Значение по умолчанию:** выключено  
**Формат:** no lldp notification  
**Режим ввода команд:** конфигурирование интерфейса

### ***lldp notification-interval***

Используйте данную команду, чтобы настроить то, как часто система будет посылать уведомления об изменениях удаленных данных. Параметр *interval* — это интервал ожидания в секундах между отправкой оповещений. Диапазон — от 5 до 3600 секунд.

**Значение по умолчанию:** 5  
**Формат:** lldp notification-interval *interval*  
**Режим ввода команд:** глобальная конфигурация

### ***no lldp notification-interval***

Используйте данную команду, чтобы вернуть интервал уведомлений в значение по умолчанию.

**Формат:** no lldp notification-interval  
**Режим ввода команд:** глобальная конфигурация

### ***clear lldp statistics***

Команда сбрасывает всю статистику LLDP, включая информацию, относящуюся к MED.

**Формат:** clear lldp statistics  
**Режим ввода команд:** привилегированный

### ***clear lldp remote-data***

Используйте данную команду, чтобы удалить всю информацию из таблицы удаленных данных LLDP, включая информацию, относящуюся к MED.

**Формат:** clear lldp remote-data  
**Режим ввода команд:** глобальная конфигурация

### **show lldp**

Данная команда отображает общую информацию о текущей конфигурации LLDP.

**Формат:** `show lldp`

**Режим ввода команд:** привилегированный

<i>Термин</i>	<i>Значение</i>
<b>Transmit Interval</b>	Как часто система передает LLDPDU локальных данных — в секундах.
<b>Transmit Hold Multiplier</b>	Множитель интервала передач, который устанавливает TTL в LLDPDU локальных данных.
<b>Re-initialization Delay</b>	Задержка в секундах перед повторной инициализацией.
<b>Notification Interval</b>	Как часто система отправляет уведомления об изменениях удаленных данных — в секундах.

### **show lldp interface**

Используйте эту команду, чтобы отобразить общую информацию о текущей конфигурации LLDP для указанного интерфейса или всех интерфейсов.

**Формат:** `show lldp interface {unit/slot/port | all}`

**Режим ввода команд:** привилегированный

<i>Термин</i>	<i>Значение</i>
<b>Interface</b>	Интерфейс в формате <i>unit/slot/port</i> .
<b>Link</b>	Показывает, создано или разорвано соединение.
<b>Transmit</b>	Показывает, передает ли интерфейс LLDPDU.
<b>Receive</b>	Показывает, принимает ли интерфейс LLDPDU.
<b>Notify</b>	Показывает, отправляет ли интерфейс уведомления об изменениях.
<b>TLVs</b>	Показывает, отправляет ли интерфейс необязательные TLV в рамках LLDPDU. Коды TLV: 0 (описание порта), 1 (системное имя), 2 (описание системы) или 3 (возможности системы).
<b>Mgmt</b>	Показывает, передает ли интерфейс информацию об адресе системного управления в LLDPDU.

### **show lldp statistics**

Команда используется, чтобы отобразить статистику LLDP для указанного интерфейса или всех интерфейсов.

**Формат:** `show lldp statistics {unit/slot/port | all}`

**Режим ввода команд:** привилегированный

<i>Термин</i>	<i>Значение</i>
<b>Last Update</b>	Время с момента последнего обновления таблицы в

	днях, часах, минутах и секундах.
<b>Total Inserts</b>	Общее количество записей в таблицу удалённых данных.
<b>Total Deletes</b>	Общее количество удалений из таблицы удалённых данных.
<b>Total Drops</b>	Общее количество случаев, когда полученный комплект удаленных данных не был внесен по причине нехватки ресурсов.
<b>Total Ageouts</b>	Общее количество случаев, когда запись комплекта удаленных данных была удалена по причине истечения интервала TTL.

Таблица содержит следующие заголовки колонок.

<b>Термин</b>	<b>Значение</b>
<b>Interface</b>	Интерфейс в формате <i>unit/slot/port</i> .
<b>TX Total</b>	Общее количество LLDP-пакетов, переданных портом.
<b>RX Total</b>	Общее количество LLDP-пакетов, полученных портом.
<b>Discards</b>	Общее количество LLDP-пакетов, отброшенных портом по какой-либо причине.
<b>Errors</b>	Количество LLDP-кадров с ошибками, полученных портом.
<b>Ageouts</b>	Общее количество случаев, когда запись комплекта удаленных данных была удалена по причине истечения TTL.
<b>TVL Discards</b>	Количество отброшенных TLV.
<b>TVL Unknowns</b>	Общее количество полученных портом TLV LLDP, тип значений которых находится в зарезервированном диапазоне и не распознается.
<b>TLV MED</b>	Общее количество TLV LLDP-MED, полученных интерфейсом.
<b>TLV 802.1</b>	Общее количество TLV LLDP типа 802.1, полученных интерфейсом.
<b>TLV 802.3</b>	Общее количество TLV LLDP типа 802.3, полученных интерфейсом.

### ***show lldp remote-device***

Эта команда отображает сводную информацию об удаленных устройствах, которые передают текущие данные LLDP в систему. Можно просмотреть информацию о полученных удаленных данных LLDP на всех портах или определенном порте.

**Формат:** `show lldp remote-device {unit/slot/port | all}`

**Режим ввода команд:** привилегированный

### ***show lldp remote-device detail***

Используйте эту команду, чтобы отобразить подробную информацию об удаленных устройствах, которые передают текущие LLDP-данные интерфейсу в системе.

**Формат:** `show lldp remote-device detail unit/slot/port`

**Режим ввода команд:** привилегированный

<i>Термин</i>	<i>Значение</i>
<b>Local Interface</b>	Интерфейс, который принял LLDPDU от удаленного устройства.
<b>Remote Identifier</b>	Внутренний идентификатор коммутатора для пометки каждого удаленного устройства системы.
<b>Chassis ID Subtype</b>	Тип идентификации, используемый в поле Chassis ID.
<b>Chassis ID</b>	Идентификатор шасси удаленного устройства.
<b>Port ID Subtype</b>	Тип порта на удаленном устройстве.
<b>Port ID</b>	Номер порта, передавшего LLDPDU.
<b>System Name</b>	Системное имя удаленного устройства.
<b>System Description</b>	Описание удаленной системы, идентифицирующее системное имя и версию аппаратного обеспечения, операционной системы и сетевого программного обеспечения, поддерживаемые удаленным устройством.
<b>Port Description</b>	Описывает порт в буквенно-цифровом формате. Описание порта можно настроить.
<b>System Capabilities Supported</b>	Указывает основные функции устройства.
<b>System Capabilities Enabled</b>	Показывает, какие из поддерживаемых функций устройства включены.
<b>Management Address</b>	Для каждого интерфейса на удаленном устройстве с LLDP-агентом перечисляет тип адреса, используемый удаленным LLDP-агентом, и указывает адрес, используемый для получения данных об устройстве.
<b>Time To Live</b>	Время (в секундах), в течение которого информация удаленного устройства, полученная в LLDPDU, может расцениваться как действительная.

### ***show lldp local-device***

Используйте эту команду, чтобы отобразить сводную информацию об анонсируемых локальных данных LLDP. Данная команда может отобразить сводную информацию или подробности для каждого интерфейса.

**Формат:** `show lldp local-device {unit/slot/port | all}`

**Режим ввода команд:** привилегированный

<i>Термин</i>	<i>Значение</i>
<b>Interface</b>	Интерфейс в формате <i>unit/slot/port</i> .
<b>Port ID</b>	Идентификатор порта, связанного с интерфейсом.
<b>Port Description</b>	Описание порта, связанного с интерфейсом.

### ***show lldp local-device detail***

Используйте данную команду, чтобы отобразить подробную информацию о данных LLDP, передаваемых определенным интерфейсом.



**Формат:** `show lldp local-device detail unit/slot/port`

**Режим ввода команд:** привилегированный

<i>Термин</i>	<i>Значение</i>
<b>Interface</b>	Интерфейс, отправляющий LLDPDU.
<b>Chassis ID Subtype</b>	Тип идентификации, используемый в поле Chassis ID.
<b>Chassis ID</b>	Идентификатор шасси локального устройства.
<b>Port ID Subtype</b>	Тип порта на локальном устройстве.
<b>Port ID</b>	Номер порта, передавшего LLDPDU.
<b>System Name</b>	Системное имя локального устройства.
<b>System Description</b>	Описание локальной системы, идентифицирующее системное имя и версию аппаратного обеспечения, операционной системы и сетевого программного обеспечения, поддерживаемые устройством.
<b>Port Description</b>	Описывает порт в буквенно-цифровом формате.
<b>System Capabilities Supported</b>	Указывает основные функции устройства.
<b>System Capabilities Enabled</b>	Показывает, какие из поддерживаемых функций устройства включены.
<b>Management Address</b>	Тип адреса и определенный адрес, используемый для получения и передачи данных.

### 8.37 Команды настройки LLDP-MED

Link Layer Discovery Protocol-Media Endpoint Discovery (LLDP-MED), спецификация ANSI-TIA-1057, обеспечивает расширение стандарта LLDP. В частности, LLDP-MED обеспечивает расширения для сетевой конфигурации и политики, размещения устройств, управления питанием через Ethernet (PoE) и управления ресурсами.

#### *lldp med*

Используйте данную команду, чтобы включить MED на интерфейсе или диапазоне интерфейсов. Включая MED, вы активируете функцию приема и передачи LLDP.

**Значение по умолчанию:** выключено

**Формат:** `lldp med`

**Режим ввода команд:** конфигурирование интерфейса

#### *no lldp med*

Команда, которая выключает MED.

**Формат:** `no lldp med`

**Режим ввода команд:** конфигурирование интерфейса

#### *lldp med confignotification*

Команда настраивает интерфейс или диапазон интерфейсов на отправку оповещений об изменениях в топологии.

**Значение по умолчанию:** выключено  
**Формат:** `lldp med confignotification`  
**Режим ввода команд:** конфигурирование интерфейса

### *no ldp med confignotification*

Эта команда выключает оповещения.

**Формат:** `no lldp med confignotification`  
**Режим ввода команд:** конфигурирование интерфейса

### *lldp med transmit-tlv*

Используйте эту команду, чтобы указать, какой необязательный набор TLV LLDP-MED будет передаваться в LLDPDU-сообщениях от этого интерфейса или диапазона интерфейсов.

**Значение по умолчанию:** включены возможности и политика сети TLV.  
**Формат:** `lldp med transmit-tlv [capabilities] [network-policy]`  
**Режим ввода команд:** конфигурирование интерфейса

<i>Термин</i>	<i>Значение</i>
<code>capabilities</code>	Передавать LLDP TLV возможности системы
<code>network-policy</code>	Передача LLDP TLV политик сети

### *no lldp med transmit-tlv*

Используйте данную команду для удаления TLV.

**Формат:** `no lldp med transmit-tlv [capabilities] [network-policy]`  
**Режим ввода команд:** конфигурирование интерфейса

### *lldp med all*

Используйте эту команду, чтобы настроить LLDP-MED на всех портах.

**Формат:** `lldp med all`  
**Режим ввода команд:** глобальная конфигурация

### *lldp med confignotification all*

Используйте эту команду, чтобы настроить все порты на отправку оповещений об изменениях в топологии.

**Формат:** `lldp med confignotification all`  
**Режим ввода команд:** глобальная конфигурация

### *lldp med faststartrepeatcount*

Используйте данную команду, чтобы установить значения счетчика повторов быстрого старта. *[count]* — количество LLDPDU, которые будут переданы, когда функционал включен. Диапазон — от 1 до 10.

**Значение по умолчанию:** 3  
**Формат:** `lldp med faststartrepeatcount [count]`

**Режим ввода команд:** глобальная конфигурация

### *no lldp med faststartrepeatcount*

Используйте данную команду, чтобы вернуть настройки к заводским значениям.

**Формат:** no lldp med faststartrepeatcount

**Режим ввода команд:** глобальная конфигурация

### *lldp med transmit-tlv all*

Используйте данную команду, чтобы указать какой необязательный набор TLV LLDP-MED будет передаваться в LLDPDU-сообщениях на всех портах.

**Значение по умолчанию:** включены возможности и политика сети TLV.

**Формат:** lldp med transmit-tlv all [capabilities] [network-policy]

**Режим ввода команд:** глобальная конфигурация

### *no lldp med transmit-tlv*

Используйте данную команду для удаления TLV.

**Формат:** no lldp med transmit-tlv all [capabilities] [network-policy]

**Режим ввода команд:** глобальная конфигурация

### *show lldp med*

Используйте эту команду для отображения сводной информации о текущей конфигурации LLDP-MED.

**Формат:** show lldp med

**Режим ввода команд:** привилегированный

### *show lldp med interface*

Команда для отображения сводной информации о текущей конфигурации LLDP-MED для определенного интерфейса. *unit/slot/port* обозначает определенный физический интерфейс. *all* обозначает все действительные LLDP интерфейсы.

**Формат:** show lldp med interface {unit/slot/port | all}

**Режим ввода команд:** привилегированный

### *show lldp med local-device detail*

Используйте эту команду, чтобы отобразить подробную информацию о данных LLDP MED, которые передает указанный интерфейс.

*unit/slot/port* обозначает определенный физический интерфейс.

**Формат:** show lldp med local-device detail unit/slot/port

**Режим ввода команд:** привилегированный

### *show lldp med remote-device*

Команда отображает сводную информацию об удаленных устройствах, которые передают системе текущие данные LLDP MED. Можно просмотреть информацию об удаленных данных LLDP

MED, полученных на все действительные интерфейсы LLDP или на определенный физический интерфейс.

**Формат:** `show lldp med remote-device {unit/slot/port | all}`

**Режим ввода команд:** привилегированный

<i>Термин</i>	<i>Значение</i>
<b>Local Interface</b>	Интерфейс, который принял LLDPDU от удаленного устройства.
<b>Remote ID</b>	Внутренний идентификатор коммутатора для пометки каждого удаленного устройства системы.
<b>Device Class</b>	Классификация удаленного устройства

### ***show lldp med remote-device detail***

Команда отображает подробную информацию об удаленных устройствах, которые передают системе текущие данные LLDP MED.

**Формат:** `show lldp med remote-device detail unit/slot/port`

**Режим ввода команд:** привилегированный

## **8.38 Команды настройки управления DoS**

Эта часть описывает команды, используемые для настройки управления отказом в обслуживании (DoS). Программное обеспечение обеспечивает поддержку при классификации и блокировке определенных типов DoS-атак. Вы можете настроить систему на отслеживание и блокировку следующих типов атак:

- **SIP = DIP:** IP-адрес источника = IP-адрес места назначения.
- **First Fragment:** размер заголовка TCP меньше настроенного значения.
- **TCP Fragment:** позволяет устройству отбрасывать пакеты с недостаточной полезной нагрузкой TCP, т. е. когда ее длина оказывается меньше минимально допустимого размера заголовка TCP, если от длины полезной нагрузки входящего пакета отнять размер его заголовка.
- **TCP Flag:** TCP-флаг SYN и порт-источник < 1024, или контрольные флаги TCP = 0 и порядковый номер TCP = 0, или TCP-флаги FIN, URG, PSH и порядковый номер TCP = 0, или TCP-флаги SYN и FIN.
- **L4 Port:** TCP/UDP-порт источника = TCP/UDP-порт места назначения.
- **ICMP:** ограничение размера пакетов ICMP-пинга.
- **SMAC = DMAC:** MAC-адрес источника = MAC-адрес места назначения.
- **TCP Port:** TCP-порт источника = TCP-порт места назначения.
- **UDP Port:** UDP-порт источника = UDP-порт места назначения.
- **TCP Flag & Sequence:** TCP-флаг SYN и порт-источник < 1024, или контрольные флаги TCP = 0 и порядковый номер TCP = 0, или TCP-флаги FIN, URG, PSH и порядковый номер TCP = 0, или TCP-флаги SYN и FIN.
- **TCP Offset:** позволяет устройству отбрасывать пакеты, у которых смещение заголовка TCP установлено как 1.
- **TCP SYN:** установка TCP-флага SYN.

- **TCP SYN & FIN:** установка TCP-флагов SYN и FIN.
- **TCP FIN & URG & PSH:** TCP-флаги FIN, URG, PSH и порядковый номер TCP = 0.
- **ICMP V6:** ограничение размера ICMPv6-пакетов.
- **ICMP Fragment:** проверка фрагментированных ICMP-пакетов.

### ***dos-control all***

Данная команда включает защитные проверки DoS глобально.

**Значение по умолчанию:** выключено  
**Формат:** dos-control all  
**Режим ввода команд:** глобальная конфигурация

### ***no dos-control all***

Команда выключает защитные проверки DoS глобально.

**Формат:** no dos-control all  
**Режим ввода команд:** глобальная конфигурация

### ***dos-control sipdip***

Эта команда включает DoS-защиту SIP = DIP (IP-адрес источника = IP-адрес места назначения). Соответственно, если входящие пакеты имеют SIP = DIP, то они отбрасываются.

**Значение по умолчанию:** выключено  
**Формат:** dos-control sipdip  
**Режим ввода команд:** глобальная конфигурация

### ***no dos-control sipdip***

Данная команда выключает DoS-защиту SIP = DIP (IP-адрес источника = IP-адрес места назначения).

**Формат:** no dos-control sipdip  
**Режим ввода команд:** глобальная конфигурация

### ***dos-control firstfrag***

Данная команда включает DoS-защиту от недостаточного размера TCP-заголовка. Если входящие пакеты имеют размер TCP-заголовка меньше, чем настроенное значение, пакеты будут отбрасываться, если этот режим включен. Значение по умолчанию — disabled. Если включить этот режим защиты, но не указывать минимальную длину TCP-заголовка, система установит это значение как 20.

**Значение по умолчанию:** выключено (20)  
**Формат:** dos-control firstfrag [0-255]  
**Режим ввода команд:** глобальная конфигурация

### ***no dos-control firstfrag***

Эта команда выключает DoS-защиту от недостаточного размера TCP-заголовка.

**Формат:** no dos-control firstfrag

**Режим ввода команд:** глобальная конфигурация

### ***dos-control tcpfrag***

Данная команда включает DoS-защиту от TCP-фрагментов. При выявлении пакетов с недостаточной полезной нагрузкой TCP (т. е. когда ее длина оказывается меньше минимально допустимого размера заголовка TCP, если от длины полезной нагрузки входящего пакета отнять размер его заголовка) такие пакеты отбрасываются.

**Значение по умолчанию:** выключено

**Формат:** dos-control tcpfrag

**Режим ввода команд:** глобальная конфигурация

### ***no dos-control tcpfrag***

Эта команда выключает DoS-защиту от TCP-фрагментов.

**Формат:** no dos-control tcpfrag

**Режим ввода команд:** глобальная конфигурация

### ***dos-control tcpflag***

Данная команда включает DoS-защиту от TCP-флагов. Если входящие пакеты имеют настройку TCP-флага SYN и порт-источник меньше 1024, или же контрольные флаги TCP и порядковый номер TCP равный 0, или TCP-флаги FIN, URG, PSH и порядковый номер TCP равный 0, или TCP-флаги SYN и FIN, при включенном режиме защиты такие пакеты отбрасываются.

**Значение по умолчанию:** выключено

**Формат:** dos-control tcpflag

**Режим ввода команд:** глобальная конфигурация

### ***no dos-control tcpflag***

Эта команда выключает DoS-защиту от TCP-флагов.

**Формат:** no dos-control tcpflag

**Режим ввода команд:** глобальная конфигурация

### ***dos-control l4port***

Данная команда включает DoS-защиту портов уровня 4. Если входящие пакеты имеют номер порта-источника TCP/UDP равный номеру порта места назначения TCP/UDP, при включенном режиме защиты такие пакеты отбрасываются.



**Некоторые приложения дублируют порты источника и места назначения L 4 — например RIP использует 520 для обоих. Если включить DoS-защиту портов L 4, такие приложения как RIP могут терять пакеты, что приводит к прекращению работы функционала.**

**Значение по умолчанию:** выключено

**Формат:** dos-control l4port

**Режим ввода команд:** глобальная конфигурация

### *no dos-control l4port*

Эта команда выключает DoS-защиту портов уровня 4.

**Формат:** no dos-control l4port

**Режим ввода команд:** глобальная конфигурация

### *dos-control smacdmac*

Эта команда включает DoS-защиту SMAC = DMAC (MAC-адрес источника = MAC-адрес места назначения). Соответственно, если входящие пакеты имеют SMAC = DMAC, то они отбрасываются.

**Значение по умолчанию:** выключено

**Формат:** dos-control smacdmac

**Режим ввода команд:** глобальная конфигурация

### *no dos-control smacdmac*

Данная команда выключает DoS-защиту SMAC = DMAC (MAC-адрес источника = MAC-адрес места назначения).

**Формат:** no dos-control smacdmac

**Режим ввода команд:** глобальная конфигурация

### *dos-control tcpport*

Эта команда включает DoS-защиту от типа атак с номером порта-источника уровня 4 TCP равным номеру порта TCP места назначения. Соответственно, если входящие пакеты имеют одинаковые TCP-порты источника и места назначения, пакеты отбрасываются.

**Значение по умолчанию:** выключено

**Формат:** dos-control tcpport

**Режим ввода команд:** глобальная конфигурация

### *no dos-control tcpport*

Эта команда выключает DoS-защиту от типа атак с номером порта-источника уровня 4 TCP равным номеру порта TCP места назначения.

**Формат:** no dos-control tcpport

**Режим ввода команд:** глобальная конфигурация

### *dos-control udpport*

Данная команда включает DoS-защиту от типа атак с номером порта-источника уровня 4 UDP равным номеру порта UDP места назначения. Соответственно, если входящие пакеты имеют одинаковые UDP-порты источника и места назначения, пакеты отбрасываются.

**Значение по умолчанию:** выключено

**Формат:** dos-control udpport

**Режим ввода команд:** глобальная конфигурация

### *no dos-control udpport*

Эта команда выключает DoS-защиту от типа атак с номером порта-источника уровня 4 UDP равным номеру порта UDP места назначения.

**Формат:** no dos-control udpport

**Режим ввода команд:** глобальная конфигурация

### *dos-control tcpflagseq*

Данная команда включает DoS-защиту от TCP-флагов и последовательностей. Если входящие пакеты имеют настройку TCP-флага SYN и порт-источник меньше 1024, или же контрольные флаги TCP и порядковый номер TCP равный 0, или TCP-флаги FIN, URG, PSH и порядковый номер TCP равный 0, или TCP-флаги SYN и FIN, при включенном режиме защиты такие пакеты отбрасываются.

**Значение по умолчанию:** выключено

**Формат:** dos-control tcpflagseq

**Режим ввода команд:** глобальная конфигурация

### *no dos-control tcpflagseq*

Данная команда выключает DoS-защиту от TCP-флагов и последовательностей.

**Формат:** no dos-control tcpflagseq

**Режим ввода команд:** глобальная конфигурация

### *dos-control tcpoffset*

Эта команда включает DoS-защиту от TCP-смещений. Если входящие пакеты имеют TCP-смещение заголовка равное 1, они отбрасываются.

**Значение по умолчанию:** выключено

**Формат:** dos-control tcpoffset

**Режим ввода команд:** глобальная конфигурация

### *no dos-control tcpoffset*

Данная команда выключает DoS-защиту от TCP-смещений.

**Формат:** no dos-control tcpoffset

**Режим ввода команд:** глобальная конфигурация

### *dos-control tcpsyn*

Эта команда включает DoS-защиту от TCP SYN и источника уровня 4 = 0–1023. Если входящие пакеты имеют TCP-флаг SYN и порт-источник уровня 4 от 0 до 1023, они отбрасываются.

**Значение по умолчанию:** выключено

**Формат:** dos-control tcpsyn

**Режим ввода команд:** глобальная конфигурация



### *no dos-control tcpsyn*

Данная команда выключает DoS-защиту от TCP SYN и источника уровня 4 = 0–1023.

**Формат:** no dos-control tcpsyn  
**Режим ввода команд:** глобальная конфигурация

### *dos-control tcpsynfin*

Эта команда включает DoS-защиту от TCP SYN и FIN. Если входящие пакеты имеют TCP-флаг SYN и FIN, они отбрасываются.

**Значение по умолчанию:** выключено  
**Формат:** dos-control tcpsynfin  
**Режим ввода команд:** глобальная конфигурация

### *no dos-control tcpsynfin*

Данная команда выключает DoS-защиту от TCP SYN и FIN.

**Формат:** no dos-control tcpsynfin  
**Режим ввода команд:** глобальная конфигурация

### *dos-control tcpfinurgpsh*

Эта команда включает проверку TCP FIN, URG, PSH и SEQ = 0 в рамках DoS-защиты. Если входящие пакеты имеют настройки TCP FIN, URG, PSH и порядковый номер TCP равный 0, они отбрасываются.

**Значение по умолчанию:** выключено  
**Формат:** dos-control tcpfinurgpsh  
**Режим ввода команд:** глобальная конфигурация

### *no dos-control tcpfinurgpsh*

Команда выключает проверку TCP FIN, URG, PSH и SEQ = 0 в рамках DoS-защиты.

**Формат:** no dos-control tcpfinurgpsh  
**Режим ввода команд:** глобальная конфигурация

### *dos-control icmpv4*

Данная команда включает DoS-защиту от максимального размера ICMPv4-пакета. Если входящие ответные ICMPv4-пакеты (PING) имеют размер больше, чем настроенное значение, они отбрасываются.

**Значение по умолчанию:** выключено (512)  
**Формат:** dos-control icmpv4 [0-16376]  
**Режим ввода команд:** глобальная конфигурация

### *no dos-control icmpv4*

Эта команда выключает DoS-защиту от максимального размера ICMPv6-пакетов.

**Формат:** `no dos-control icmpv4`  
**Режим ввода команд:** глобальная конфигурация

### ***dos-control icmpv6***

Данная команда включает DoS-защиту от максимального размера ICMPv6-пакета. Если входящие ответные ICMPv6-пакеты (PING) имеют размер больше, чем настроенное значение, они отбрасываются.

**Значение по умолчанию:** выключено (512)  
**Формат:** `dos-control icmpv6 0-16376`  
**Режим ввода команд:** глобальная конфигурация

### ***no dos-control icmpv6***

Эта команда выключает DoS-защиту от максимального размера ICMPv6-пакетов.

**Формат:** `no dos-control icmpv6`  
**Режим ввода команд:** глобальная конфигурация

### ***dos-control icmpfrag***

Эта команда включает DoS-защиту от TCP-фрагментов. Соответственно, если входящие пакеты имеют фрагментированные ICMP-пакеты, они отбрасываются.

**Значение по умолчанию:** выключено  
**Формат:** `dos-control icmpfrag`  
**Режим ввода команд:** глобальная конфигурация

### ***no dos-control icmpfrag***

Эта команда выключает DoS-защиту от ICMP-фрагментов.

**Формат:** `no dos-control icmpfrag`  
**Режим ввода команд:** глобальная конфигурация

### ***show dos-control***

Данная команда отображает информацию о конфигурации DoS-защиты.

**Формат:** `show dos-control`  
**Режим ввода команд:** привилегированный

<b><i>Термин</i></b>	<b><i>Значение</i></b>
<b>First Fragment Mode</b>	Административный режим DoS-защиты первого фрагмента. При включенном режиме коммутатор отбрасывает пакеты, имеющие размер TCP-заголовка меньше, чем настроенное значение.
<b>Min TCP Hdr Size</b>	Минимальный размер заголовка TCP, который коммутатор будет принимать, если включен режим DoS-защиты первого фрагмента.

<b>ICMPv4 Mode</b>	Административный режим DoS-защиты ICMPv4. При включенном режиме, коммутатор отбрасывает ICMP-пакеты, имеющие тип ECHO_REQ (пинг), и если они имеют размер больше настроенного значения полезной нагрузки ICMPv4.
<b>Max ICMPv4 Payload Size</b>	Максимальный размер полезной нагрузки ICMPv4, который будет приниматься, если включен режим DoS-защиты ICMPv4.
<b>ICMPv6 Mode</b>	Административный режим DoS-защиты ICMPv6. При включенном режиме, коммутатор отбрасывает ICMP-пакеты, имеющие тип ECHO_REQ (пинг), и если они имеют размер больше настроенного значения полезной нагрузки ICMPv6.
<b>Max ICMPv6 Payload Size</b>	Максимальный размер полезной нагрузки ICMPv6, который будет приниматься, если включен режим DoS-защиты ICMPv6.
<b>ICMPv4 Fragment Mode</b>	Административный режим DoS-защиты от фрагментов ICMPv4. При включенном режиме коммутатор отбрасывает фрагментированные ICMPv4-пакеты.
<b>TCP Port Mode</b>	Административный режим DoS-защиты TCP-портов. При включенном режиме коммутатор отбрасывает пакеты, которые имеют одинаковые TCP-порты источника и места назначения.
<b>UDP Port Mode</b>	Административный режим DoS-защиты UDP-портов. При включенном режиме коммутатор отбрасывает пакеты, которые имеют одинаковые UDP-порты источника и места назначения.
<b>SIPDIP Mode</b>	Административный режим DoS-защиты SIP=DIP. При включенном режиме коммутатор отбрасывает пакеты, которые имеют одинаковые IP-адреса источника и места назначения. Заводская настройка: disabled.
<b>SMACDMAC Mode</b>	Административный режим DoS-защиты SMAC=DMAC. При включенном режиме коммутатор отбрасывает пакеты, которые имеют одинаковые MAC-адреса источника и места назначения.
<b>TCP FIN&amp;URG&amp; PSH Mode</b>	Административный режим DoS-защиты от TCP FIN & URG & PSH. При включенном режиме коммутатор отбрасывает пакеты, которые имеют TCP-флаги FIN, URG, PSH и порядковый номер TCP равный 0.
<b>TCP Flag &amp; Sequence Mode</b>	Административный режим DoS-защиты от TCP-флагов. При включенном режиме коммутатор отбрасывает пакеты, которые имеют TCP-флаги контроля и порядковый номер TCP равные 0.
<b>TCP SYN Mode</b>	Административный режим DoS-защиты от TCP SYN. При включенном режиме коммутатор отбрасывает пакеты, которые имеют установленные TCP-флаги SYN.
<b>TCP SYN &amp; FIN Mode</b>	Административный режим DoS-защиты TCP SYN & FIN. При включенном режиме коммутатор отбрасывает пакеты, которые имеют установленные TCP-флаги SYN и FIN.
<b>TCP Fragment Mode</b>	Административный режим DoS-защиты от фрагмен-

	тов TCP. При включенном режиме коммутатор отбрасывает пакеты, которые имеют полезную нагрузку TCP меньше дозволенного минимума (если от длины полезной нагрузки входящего пакета отнять размер его заголовка).
<b>TCP Offset Mode</b>	Административный режим DoS-защиты от TCP-смещений. При включенном режиме коммутатор отбрасывает пакеты, которые имеют смещение TCP-заголовков, равное 1.

### 8.39 Команды настройки таблиц MAC-адресов

В этой части описаны команды, используемые для настройки и просмотра информации о таблицах MAC-адресов.

#### ***bridge aging-time***

Эта команда настраивает время устаревания таблицы коммутации в секундах. Параметр seconds должен быть в диапазоне от 10 до 1 000 000 секунд.

**Значение по умолчанию:** 300  
**Формат:** bridge aging-time 10-1,000,000  
**Режим ввода команд:** глобальная конфигурация

#### ***no bridge aging-time***

Эта команда устанавливает время устаревания таблицы коммутации в значение по умолчанию.

**Формат:** no bridge aging-time  
**Режим ввода команд:** глобальная конфигурация

#### ***show forwardingdb agetime***

Эта команда отображает время жизни записи MAC-адресов.

**Значение по умолчанию:** all  
**Формат:** show forwardingdb agetime  
**Режим ввода команд:** привилегированный

<b><i>Термин</i></b>	<b><i>Значение</i></b>
<b>Address Aging Timeout</b>	Отображает значение времени жизни записи для устаревания MAC-адресов системы в секундах

#### ***show mac-address-table multicast***

Данная команда отображает информацию таблицы коммутации многоадресной рассылки (MFDB). Если ввести команду без параметров, отобразится вся таблица. Можно просмотреть запись таблицы для одного MAC-адреса, указав MAC-адрес как дополнительный параметр.

**Формат:** show mac-address-table multicast macaddr  
**Режим ввода команд:** привилегированный

<i>Термин</i>	<i>Значение</i>
<b>VLAN ID</b>	VLAN, в которой был определен MAC-адрес.
<b>MAC Address</b>	Групповой MAC-адрес, для которого коммутатор переадресует или фильтрует информацию. Указывается в формате шести двузначных номеров шестнадцатеричной системы, разделенных двоеточиями, например: 01:23:45:67:89:AB.
<b>Source</b>	Компонент, от которого зависит данная запись в таблице MFDB. Источником может быть IGMP Snooping, GMRP и статическая фильтрация.
<b>Type</b>	Тип записи. Статические записи — записи, которые настраиваются конечным пользователем. Динамические добавляются в таблицу как результат процесса определения или протокола.
<b>Description</b>	Текстовое описание данной записи таблицы многоадресной коммутации.
<b>Interfaces</b>	Список интерфейсов, которые назначены для переадресации (Fwd:) и фильтрации (Flt:).
<b>Fwd Interface</b>	Список, хранящий все коммутационные интерфейсы для записи и удаляющий интерфейсы, перечисленные как статически фильтрующие интерфейсы.

### ***show mac-address-table stats***

Эта команда отображает статистику таблицы коммутации многоадресной рассылки (MFDB).

**Формат:** `show mac-address-table stats`

**Режим ввода команд:** привилегированный

<i>Термин</i>	<i>Значение</i>
<b>Total Entries</b>	Общее количество записей, возможных в MFDB.
<b>Most MFDB Entries Ever Used</b>	Наибольшее количество записей, которые когда-либо содержались в таблице MFDB. Обозначается также как «наивысший уровень» MFDB.
<b>Current Entries</b>	Текущее количество записей в MFDB.

## **8.40 Команды настройки ISDP**

В этой части описываются команды, используемые для настройки Industry Standard Discovery Protocol (ISDP).

### ***isdp run***

Эта команда включает ISDP на коммутаторе.

**Значение по умолчанию:** выключено

**Формат:** `isdp run`

**Режим ввода команд:** глобальная конфигурация

### *no isdp run*

Эта команда выключает ISDP на коммутаторе.

**Формат:** no isdp run  
**Режим ввода команд:** глобальная конфигурация

### *isdp holdtime*

Данная команда настраивает время удержания ISDP-пакетов, передаваемых коммутатором. Это время указывает, как долго принимающее устройство должно удерживать данные, содержащиеся в ISDP-пакете, прежде чем отбросить его. Диапазон указан в секундах.

**Значение по умолчанию:** 180 секунд  
**Формат:** isdp holdtime 10-255  
**Режим ввода команд:** глобальная конфигурация

### *isdp timer*

Данная команда устанавливает временной период между отправкой новых ISDP-пакетов. Диапазон указан в секундах.

**Значение по умолчанию:** 60 секунд  
**Формат:** isdp timer 5-254  
**Режим ввода команд:** глобальная конфигурация

### *isdp advertise-v2*

Эта команда включает отправку ISDP-пакетов версии 2 с данного устройства.

**Значение по умолчанию:** выключено  
**Формат:** isdp advertise-v2  
**Режим ввода команд:** глобальная конфигурация

### *no isdp advertise-v2*

Эта команда выключает отправку ISDP-пакетов версии 2 с данного устройства.

**Формат:** no isdp advertise-v2  
**Режим ввода команд:** глобальная конфигурация

### *isdp enable*

Эта команда включает ISDP на интерфейсе или диапазоне интерфейсов.



**Чтобы интерфейс мог передавать ISDP-пакеты, ISDP должен быть включен глобально и на интерфейсе. Если ISDP глобально выключен на коммутаторе, интерфейс не сможет передавать ISDP-пакеты независимо от статуса ISDP на интерфейсе.**

**Значение по умолчанию:** выключено  
**Формат:** isdp enable  
**Режим ввода команд:** конфигурирование интерфейса

### *no isdp enable*

Эта команда выключает ISDP на интерфейсе.

**Формат:** no isdp enable

**Режим ввода команд:** конфигурирование интерфейса

### *clear isdp counters*

Эта команда сбрасывает счетчики ISDP.

**Формат:** clear isdp counters

**Режим ввода команд:** привилегированный

### *clear isdp table*

Данная команда удаляет записи в таблице ISDP.

**Формат:** clear isdp table

**Режим ввода команд:** привилегированный

### *show isdp*

Эта команда отображает глобальные настройки ISDP.

**Формат:** show isdp

**Режим ввода команд:** привилегированный

<i>Термин</i>	<i>Значение</i>
<b>Timer</b>	Частота, с которой данное устройство отправляет ISDP-пакеты. Значение указывается в секундах.
<b>Hold Time</b>	Продолжительность времени, в течение которого принимающее устройство должно сохранять данные, переданные данным устройством. Значение указывается в секундах.
<b>Version 2 Advertisements</b>	Настройка отправки ISDPv2-пакетов. При значении disabled отправляются пакеты версии 1.
<b>Neighbors table time since last change</b>	Количество времени, прошедшее с последнего изменения в ISDP-таблице соседей.
<b>Device ID</b>	Идентификатор, анонсируемый данным устройством. Формат данного идентификатора устройства характеризуется значением объекта Device ID Format.
<b>Device ID Format Capability</b>	Указывает возможности формата идентификатора устройства. <ul style="list-style-type: none"> <li>serialNumber обозначает, что устройство использует серийный номер в качестве формата для идентификатора устройства.</li> <li>macAddress обозначает, что устройство использует MAC-адрес уровня 2 в качестве формата для идентификатора устройства.</li> <li>other обозначает, что устройство использует особый формат, определенный платформой, на которой оно работает.</li> </ul>
<b>Device ID Format</b>	Указывает формат идентификатора устройства.

	<ul style="list-style-type: none"> <li>• <code>serialNumber</code> — это значение в виде строки ASCII, содержащей серийный номер устройства.</li> <li>• <code>macAddress</code> — это значение в виде MAC-адреса уровня 2.</li> <li>• <code>other</code> — значение в виде ASCII строки конкретной платформы, содержащей информацию, которая идентифицирует устройство. Например, ASCII-строка может включать серийный номер, предваряемый/продолженный системным именем.</li> </ul>
--	--

### ***show isdp interface***

Используйте команду, чтобы отобразить настройки ISDP для указанного интерфейса.

**Формат:** `show isdp interface {all | unit/slot/port}`

**Режим ввода команд:** привилегированный

<i>Термин</i>	<i>Значение</i>
<b>Interface</b>	<code>unit/slot/port</code> указанного интерфейса.
<b>Mode</b>	Включен или выключен режим ISDP для интерфейса

### ***show isdp entry***

Данная команда отображает записи ISDP. Если указывается идентификатор устройства, отображаются записи только для этого устройства.

**Формат:** `show isdp entry {all | deviceid}`

**Режим ввода команд:** привилегированный

<i>Термин</i>	<i>Значение</i>
<b>Device ID</b>	Идентификатор устройства, связанный с соседним устройством, которое анонсировало данные.
<b>IP Addresses</b>	IP-адреса, связанные с соседним устройством.
<b>Capability</b>	Функциональные возможности ISDP, анонсируемые соседним устройством.
<b>Platform</b>	Аппаратная платформа, анонсируемая соседним устройством.
<b>Interface</b>	Интерфейс ( <code>unit/slot/port</code> ), на котором был принят анонс соседнего устройства.
<b>Port ID</b>	Идентификатор порта интерфейса, с которого соседнее устройство прислало анонс.
<b>Hold Time</b>	Время удержания, анонсируемое соседним устройством.
<b>Advertisement Version</b>	Версия программного обеспечения соседнего устройства.
<b>Entry Last Changed Time</b>	Версия пакета-анонса, полученного от соседнего устройства.
<b>Version</b>	Время последнего изменения записи.

### ***show isdp traffic***

Данная команда отображает статистику ISDP.



**Формат:** show isdp traffic

**Режим ввода команд:** привилегированный

<i>Термин</i>	<i>Значение</i>
<b>ISDP Packets Received</b>	Общее количество полученных ISDP-пакетов.
<b>ISDP Packets Transmitted</b>	Общее количество переданных ISDP-пакетов.
<b>ISDPv1 Packets Received</b>	Общее количество полученных ISDPv1-пакетов.
<b>ISDPv1 Packets Transmitted</b>	Общее количество переданных ISDPv1-пакетов.
<b>ISDPv2 Packets Received</b>	Общее количество переданных ISDPv2-пакетов.
<b>ISDPv2 Packets Transmitted</b>	Общее количество переданных ISDPv2-пакетов.
<b>ISDP Checksum Error</b>	Количество пакетов, полученных с неверным заголовком.
<b>ISDP Transmission Failure</b>	Количество пакетов, которые не удалось передать.
<b>ISDP Invalid Format</b>	Количество полученных повреждённых пакетов.
<b>ISDP Table Full</b>	Количество событий, когда запись соседа не была добавлена в таблицу по причине переполнения базы данных.
<b>ISDP IP Address Table Full</b>	Количество событий, когда запись соседа была добавлена в таблицу без IP-адреса.

### ***debug isdp packet***

Эта команда включает трассировку ISDP-пакетов, обрабатываемых коммутатором. Для трассировки пакетов определенного интерфейса необходимо, чтобы на устройстве и на интерфейсе был включен протокол ISDP.

**Формат:** debug isdp packet [{receive | transmit}]

**Режим ввода команд:** привилегированный

### ***no debug isdp packet***

Эта команда выключает отслеживание ISDP-пакетов на принимаемой или передающей стороне или на обеих сторонах.

**Формат:** no debug isdp packet [{receive | transmit}]

**Режим ввода команд:** привилегированный

## **8.41 Команды настройки протокола EFM OAM<sup>1</sup>**

Этот подраздел описывает команды, используемые для настройки протокола Ethernet in the First Mile (EFM) Operations and Maintenance (OAM). Администраторы сетей используют эти команды для просмотра данных операций соединений, таких как удаленное обнаружение ошибок и управление удаленной обратной петлей, которые включают мониторинг, тестирование и решение проблем соединений протокола OAM в сети.

<sup>1</sup> Данный функционал при наличии лицензии EFM OAM. Для активации свяжитесь со службой технической поддержки.

## ***ethernet oam***

Эта команда используется для включения или выключения Ethernet OAM на интерфейсе или диапазоне интерфейсов.

**Значение по умолчанию:** выключено  
**Формат:** ethernet oam enable {enable | disable}  
**Режим ввода команд:** конфигурирование интерфейса

### ***ethernet oam timeout***

Данная команда устанавливает значение таймера хоста на 2–30 секунд на интерфейсе или диапазоне интерфейсов. Если PDU протокола OAM не получен на удаленном DTE за установленный период времени, локальный клиент фиксирует неисправность обнаружения состояния устройства.

**Значение по умолчанию:** 5 секунд  
**Формат:** ethernet oam timeout 2-30  
**Режим ввода команд:** конфигурирование интерфейса

### ***no ethernet oam timeout***

Данная команда устанавливает таймер хоста в значение по умолчанию.

**Формат:** no ethernet oam timeout  
**Режим ввода команд:** конфигурирование интерфейса

### ***ethernet oam min-rate***

Данная команда устанавливает минимальную скорость передачи (pdu\_timer) в секундах для отправки периодических OAM-PDU на интерфейс или диапазон интерфейсов. Диапазон — от 1 до 10.

**Значение по умолчанию:** 1  
**Формат:** ethernet oam min-rate 1-10  
**Режим ввода команд:** конфигурирование интерфейса

### ***no ethernet oam min-rate***

Данная команда устанавливает минимальную скорость передачи (pdu\_timer) в секундах для отправки периодических OAM-PDU в значение по умолчанию.

**Формат:** no ethernet oam min-rate  
**Режим ввода команд:** конфигурирование интерфейса

### ***ethernet oam max-rate***

Команда устанавливает максимальную скорость передачи (pdu\_timer) в секундах для отправки периодических OAM-PDU на интерфейс или диапазон интерфейсов, где один PDU отсылается за секунду. Диапазон — от 1 до 10.

**Значение по умолчанию:** 1  
**Формат:** ethernet oam max-rate 1-10  
**Режим ввода команд:** конфигурирование интерфейса

### *no ethernet oam max-rate*

Данная команда устанавливает максимальную скорость передачи (pdu\_timer) в значение по умолчанию.

**Формат:** no ethernet oam max-rate  
**Режим ввода команд:** конфигурирование интерфейса

### *ethernet oam mode*

Эта команда устанавливает режим интерфейса OAM как активный или пассивный на указанном интерфейсе или диапазоне интерфейсов.

**Значение по умолчанию:** пассивный  
**Формат:** ethernet oam mode {active | passive}  
**Режим ввода команд:** конфигурирование интерфейса

### *ethernet oam remote-loopback*

Данная команда настраивает время жизни для поддержки удаленной обратной петли на интерфейсе или диапазоне интерфейсов.

**Значение по умолчанию:** поддержка удаленной обратной петли включена  
**Формат:** ethernet oam remote-loopback [supported] [timeout 1-100]  
**Режим ввода команд:** конфигурирование интерфейса

<i>Термин</i>	<i>Значение</i>
supported	Включает поддержку удаленной обратной петли. Значение по умолчанию: enabled.
timeout	Устанавливает время в секундах, после которого удаленная обратная петля устаревает. Диапазон — от 10 до 100 секунд; по умолчанию 50 секунд.

### *ethernet oam remote-loopback start*

Данная команда включает удаленную обратную петлю на указанном OAM-интерфейсе.



**Согласно IEEE 802.3ah, экземпляр должен быть в активном режиме, чтобы функция удаленной обратной петли поддерживалась.**

**Формат:** ethernet oam remote-loopback start unit/slot/port  
**Режим ввода команд:** привилегированный  
пользовательский

### *ethernet oam remote-loopback stop*

Данная команда останавливает удаленную обратную петлю на указанном OAM-интерфейсе.

**Формат:** ethernet oam remote-loopback stop unit/slot/port  
**Режим ввода команд:** привилегированный  
пользовательский

### ***ethernet oam link-monitor supported***

Данная команда включает поддержку мониторинга соединения на текущем интерфейсе или диапазоне интерфейсов.

**Значение по умолчанию:** включено  
**Формат:** ethernet oam link-monitor supported  
**Режим ввода команд:** конфигурирование интерфейса

### ***no ethernet oam link-monitor supported***

Данная команда включает поддержку мониторинга соединения на текущем интерфейсе.

**Формат:** no ethernet oam link-monitor supported  
**Режим ввода команд:** конфигурирование интерфейса

### ***ethernet oam link-monitor***

Эта команда запускает или выключает мониторинг соединения на текущем OAM-интерфейсе.

**Значение по умолчанию:** выключено  
**Формат:** ethernet oam link-monitor {on | off}  
**Режим ввода команд:** конфигурирование интерфейса

### ***ethernet oam link-monitor frame***

Данная команда настраивает значения событий изменения числа кадров с ошибками. Команда используется для настройки нижнего и верхнего порогов числа кадров с ошибками, по достижении которых запускается событие. Значение window — это время в секундах, в течение которого значения порогов должны быть нарушены для того, чтобы сгенерировать трап.

**Формат:** ethernet oam link-monitor frame {threshold {high (1-65535 | none) | low 1-65535}|window 10-60}  
**Режим ввода команд:** конфигурирование интерфейса

<i>Термин</i>	<i>Значение</i>
<b>threshold</b>	Максимальное и минимальное время получения кадров с ошибками в секундах. Значение по умолчанию: 1.
<b>window</b>	Продолжительность окна события в секундах, от 10 до 60. По умолчанию — 1.

### ***no ethernet oam link-monitor frame***

Данная команда устанавливает события числа ошибочных кадров в значение по умолчанию.

**Значение по умолчанию:** значения события ошибочных кадров выключены  
**Формат:** no ethernet oam link-monitor frame {threshold {high | low} |window}  
**Режим ввода команд:** конфигурирование интерфейса

### *ethernet oam link-monitor frame-period*

Данная команда настраивает значения события периодов кадров с ошибками. Команда используется для настройки нижнего и верхнего порогов для периодов кадров с ошибками, по достижении которых запускается событие. Значение window — это время в секундах, в течение которого значения порогов должны быть нарушены для того, чтобы сгенерировать трап.

**Формат:** ethernet oam link-monitor frame-period {threshold {high (1-65535 | none) | low 1-65535}|window 1-65535}

**Режим ввода команд:** конфигурирование интерфейса

<i>Термин</i>	<i>Значение</i>
<b>threshold</b>	Максимальное и минимальное время получения кадров с ошибками в секундах. Значение по умолчанию: 1.
<b>window</b>	Продолжительность окна для события голосования в секундах: от 1 до 65535. По умолчанию — 10000.

### *no ethernet oam link-monitor frame-period*

Данная команда возвращает события периодов кадров с ошибками в значения по умолчанию.

**Формат:** no ethernet oam link-monitor frame-period {threshold {high | low} |window}

**Режим ввода команд:** конфигурирование интерфейса

### *ethernet oam link-monitor frame-seconds*

Данная команда настраивает значения события продолжительности получения кадров с ошибками. Команда используется для настройки нижнего и верхнего порогов для продолжительности получения кадров с ошибками, по достижении которых запускается событие. Значение window — это время в секундах, в течение которого значения порогов должны быть нарушены для того, чтобы сгенерировать трап.

**Формат:** ethernet oam link-monitor frame-seconds {threshold {high (1-65535 | none) | low 1-65535} |window 10-900}

**Режим ввода команд:** конфигурирование интерфейса

<i>Термин</i>	<i>Значение</i>
<b>threshold</b>	Максимальное и минимальное время получения кадров с ошибками в секундах. Значения по умолчанию: 1.
<b>window</b>	Продолжительность окна для события голосования в секундах: от 1 до 65535. По умолчанию — 10000.

### *no ethernet oam link-monitor frame-seconds*

Данная команда сбрасывает значения события продолжительности получения кадров с ошибками.

**Формат:** no ethernet oam link-monitor frame-seconds {threshold {high | low} |window}

Режим ввода команд: конфигурирование интерфейса

### ***show ethernet oam statistics***

Эта команда показывает статистику OAM для указанного OAM-интерфейса.

**Формат:** `show ethernet oam statistics [interface unit/slot/port | all]`

**Режим ввода команд:** привилегированный  
пользовательский

### ***show ethernet oam interface***

Данная команда отображает OAM-интерфейсы.

**Формат:** `show ethernet oam interface`

**Режим ввода команд:** привилегированный

### ***show ethernet oam discovery***

Эта команда показывает информацию обнаружения OAM-сущностей на указанном OAM-интерфейсе.

**Формат:** `show ethernet oam discovery [interface unit/slot/port | all]`

**Режим ввода команд:** привилегированный

### ***show ethernet oam status***

Данная команда отображает информацию статуса OAM для указанного интерфейса.

**Формат:** `show ethernet oam status [interface unit/slot/port | all]`

**Режим ввода команд:** привилегированный  
пользовательский

### ***show ethernet oam mode***

Данная команда отображает информацию об интерфейсе указанного OAM-интерфейса.

**Формат:** `show ethernet oam mode unit/slot/port|all`

**Режим ввода команд:** привилегированный  
пользовательский

### ***show ethernet oam link-monitor***

Данная команда отображает информацию мониторинга Ethernet OAM (Dot3ah) для OAM-интерфейса.

**Формат:** `show ethernet oam link-monitor unit/slot/port`

**Режим ввода команд:** привилегированный  
пользовательский

### ***show ethernet oam summary***

Данная команда отображает общую информацию протокола для Ethernet OAM (Dot3ah).

**Формат:** `show ethernet oam summary [unit/slot/port | all]`

**Режим ввода команд:** привилегированный  
пользовательский

### ***debug dot3ah packet***

Используйте эту команду для включения трассировки отладки Dot3ah-пакетов в консоли. Это позволит увидеть, был пакет передан или получен на интерфейс с запущенным EFM-OAM/Dot3ah.

**Формат:** debug dot3ah packet

**Режим ввода команд:** привилегированный  
пользовательский

### ***clear ethernet oam statistics***

Данная команда очищает информацию о статистике протокола Ethernet OAM (Dot3ah) на интерфейсе/интерфейсах.

**Формат:** show ethernet oam statistics [*unit/slot/port* | all]

**Режим ввода команд:** привилегированный  
пользовательский

### ***loopback-test***

Эта команда выполняет тестирование обратной петли на определенном порте или всех портах, подключенных к коммутатору — кроме тех, на которых запущен протокол OAM. Тест включает тестирование MAC-уровня и физического уровня. Данные статуса и статистики возвращаются в зависимости от результатов, полученных от MAC-уровня или физического уровня, предоставляемого аппаратным обеспечением.

**Формат:** loopback-test [mac | phy] *unit/slot/port*

**Режим ввода команд:** привилегированный  
пользовательский

<i>Термин</i>	<i>Значение</i>
mac	MAC-уровень тестирования обратной петли.
phy	Физический уровень тестирования обратной петли.

## **8.42 Команды настройки протокола CFM<sup>1</sup>**

Ethernet CFM (Connectivity Fault Management), IEEE802.1ag – предоставляет функции наблюдения, поиска и устранения неисправностей в сетях Ethernet, позволяя контролировать соединение, изолировать проблемные участки сети и идентифицировать клиентов, к которым применялись ограничения в сети.

Протокол оперирует следующими понятиями:

- Maintenance Domain (MD) – участок сети, принадлежащий и управляемый одним оператором;
- Maintenance Association (MA) – совокупность конечных точек (MEP), каждая из которых имеет одинаковый идентификатор MAID (Maintenance Association Identifier), определяющий тип сервиса;

<sup>1</sup> Данный функционал доступен при наличии лицензии CFM. Для активации свяжитесь со службой технической поддержки.

- Maintenance association End Point (MEP) – конечная точка сервиса, расположенная на его границе;
- Maintenance domain Intermediate Point (MIP) – промежуточная точка домена.

### ***ethernet cfm domain***

Создание (или смена уровня) CFM домена (MD) с именем *domain-name* и переход в режим конфигурирования домена.

**Формат:** `ethernet cfm domain domain-name level 0-7`

**Режим ввода команд:** глобальная конфигурация

<i>Параметр</i>	<i>Описание</i>
<b>domain-name</b>	Уникальный идентификатор домена
<b>level</b>	Уникальный идентификатор домена обслуживания. Диапазон значений: 0–7.

### ***service vlan***

Создание CFM-сервиса (MA) привязанного к VLAN с номером *vlanID* и переход в режим конфигурирования сервиса.

**Формат:** `service service-name vlan vlanID`

**Режим ввода команд:** обслуживание конфигурации домена

<i>Параметр</i>	<i>Описание</i>
<b>service-name</b>	Строка символов, которая идентифицирует определенную МА. В названии можно использовать до 45 буквенно-цифровых символов.
<b>vlanID</b>	Идентификатор VLAN МА. Диапазон значений: 1–409. Значение по умолчанию: 0. Представляет сервисный экземпляр, мониторинг которого выполняется ассоциацией обслуживания.

### ***ethernet cfm enable***

Используйте данную команду, чтобы включить на коммутаторе CFM.

**Значение по умолчанию:** выключено

**Формат:** `ethernet cfm enable`

**Режим ввода команд:** глобальная конфигурация

### ***no ethernet cfm enable***

Используйте по-форму команды, чтобы сбросить статус CFM в значение по умолчанию.

**Формат:** `no ethernet cfm enable`

**Режим ввода команд:** глобальная конфигурация

### ***ethernet cfm cc level vlan interval***

Используйте данную команду, чтобы настроить интервал передачи Continuity Check Message (CCM).



**Формат:** ethernet cfm cc level 0-7 vlan *vlan-list* interval *secs*

**Режим ввода команд:** ассоциация обслуживания

<i>Параметр</i>	<i>Описание</i>
<b>level</b>	Строка символов, которая идентифицирует определенную МА. В названии можно использовать до 45 буквенно-цифровых символов.
<b>vlan-list</b>	Идентификатор VLAN МА. Диапазон значений: 1–409. Значение по умолчанию: 0. Представляет сервисный экземпляр, мониторинг которого выполняется ассоциацией обслуживания.
<b>secs</b>	<p>Время в секундах между отправкой ССМ кадров, используемое всеми МЕР в данной ассоциации. Возможные значения:</p> <ul style="list-style-type: none"> <li>•10 — установить интервал ССМ как 10 мсек</li> <li>•100 — установить интервал ССМ как 100 мсек</li> <li>•1000 — установить интервал ССМ как 1000 мсек</li> <li>•10000 — установить интервал ССМ как 10 000 мсек</li> <li>•3,3 — установить интервал ССМ как 3,3 мсек</li> <li>•60000 — установить интервал ССМ как 60 000 мсек</li> <li>•600000 — установить интервал ССМ как 600 000 мсек</li> </ul>

### ***ethernet cfm mep archive-hold-time***

Команда настраивает период в секундах, в течение которого будут храниться данные от отсутствующей Maintenance End Point (МЕР) перед удалением. Диапазон: 1–65535 секунд.

**Значение по умолчанию:** 600

**Формат:** ethernet cfm mep archive-hold-time *seconds*

**Режим ввода команд:** глобальная конфигурация

### ***no ethernet cfm mep archive-hold-time***

Используйте по-форму команды чтобы установить время хранения данных на значение по умолчанию.

**Формат:** no ethernet cfm mep archive-hold-time

**Режим ввода команд:** глобальная конфигурация

### ***ethernet cfm mep level***

Используйте данную команду, чтобы настроить уровень МЕР на интерфейсе или диапазоне интерфейсов. МЕР настраивается для каждой МА.

**Формат:** ethernet cfm mep level 0-7 direction {up|down} mpid 1-8191  
vlan *vlan-list*

**Режим ввода команд:** конфигурирование интерфейса

<i>Параметр</i>	<i>Описание</i>
<b>level</b>	Уровень домена. Диапазон значений: 0–7. Значение по умолчанию: 0.
<b>direction</b>	Направление для MEP. Возможные значения: <ul style="list-style-type: none"> <li>• <b>up</b> – восходящий</li> <li>• <b>down</b> - нисходящий.</li> </ul>
<b>mpid</b>	Идентификатор MEP. Создает MEP, связанную с данной МА.
<b>vlan-list</b>	Идентификатор VLAN. Диапазон значений: 1–40934. Отдельные непоследовательные идентификаторы, разделенные запятой (,) без пробелов и нулей между диапазонами Для диапазона используйте дефис (-).

### *no ethernet cfm mep level*

Используйте no-форму команды, чтобы удалить MEP.

**Формат:** `no ethernet cfm mep level 0-7 direction {up|down} mpid 1-8191 vlan vlan-list`

**Режим ввода команд:** конфигурирование интерфейса

<i>Параметр</i>	<i>Описание</i>
<b>level</b>	Уровень домена. Диапазон значений: 0–7. Значение по умолчанию: 0.
<b>mpid</b>	Идентификатор MEP. Создает MEP, связанную с данной МА.
<b>vlan-list</b>	Идентификатор VLAN. Диапазон значений: 1–40934. Отдельные непоследовательные идентификаторы, разделенные запятой (,) без пробелов и нулей между диапазонами Для диапазона используйте дефис (-).

### *ethernet cfm mep enable*

Команда включает административный режим MEP на интерфейсе или диапазоне интерфейсов. По умолчанию, MEP выключены. Если они запущены, MEP начинают периодическую отправку сообщений Continuity Check (CC).

**Значение по умолчанию:** выключено

**Формат:** `ethernet cfm mep enable level 0-7 vlan vlan-list mpid 1-8191`

**Режим ввода команд:** конфигурирование интерфейса

<i>Параметр</i>	<i>Описание</i>
<b>level</b>	Уровень домена. Диапазон значений: 0–7. Значение по умолчанию: 0.
<b>mpid</b>	Идентификатор MEP. Создает MEP, связанную с данной МА.
<b>vlan-list</b>	Идентификатор VLAN. Диапазон значений: 1–40934. Отдельные непоследовательные идентификаторы,

	разделенные запятой (,) без пробелов и нулей между диапазонами. Для диапазона используйте дефис (-).
--	--

### *no ethernet cfm mep enable*

Используйте по-форму команды для выключения MEP.

**Формат:** `no ethernet cfm mep enable level 0-7 vlan vlan-list mpid 1-8191`

**Режим ввода команд:** конфигурирование интерфейса

### *ethernet cfm mep active*

Используйте эту команду, чтобы установить активный режим MEP на интерфейсе или диапазоне интерфейсов. Активный режим может иметь значения True или False.

**Значение по умолчанию:** False.

**Формат:** `ethernet cfm mep active level 0-7 vlan vlan-list mpid 1-8191`

**Режим ввода команд:** конфигурирование интерфейса

<i>Параметр</i>	<i>Описание</i>
<b>level</b>	Уровень домена. Диапазон значений: 0–7. Значение по умолчанию: 0.
<b>mpid</b>	Идентификатор MEP. Создает MEP, связанную с данной MA.
<b>vlanID</b>	Идентификатор VLAN. Диапазон значений: 1–409. Отдельные непоследовательные идентификаторы, разделенные запятой (,) без пробелов и нулей между диапазонами. Для диапазона используйте дефис (-).

### *no ethernet cfm mep active*

Используйте по-форму команды, чтобы деактивировать MEP.

**Формат:** `no ethernet cfm mep active level 0-7 vlan vlan-list mpid 1-8191`

**Режим ввода команд:** конфигурирование интерфейса

### *ethernet cfm mip level*

Используйте эту команду для настройки уровня промежуточной точки обслуживания (MIP). MIP настраиваются для каждого домена и каждого интерфейса или диапазона интерфейсов.

**Формат:** `ethernet cfm mip level 0-7`

**Режим ввода команд:** конфигурирование интерфейса

<i>Параметр</i>	<i>Описание</i>
<b>level</b>	Уровень домена. Диапазон значений: 0–7. Значение по умолчанию: 0

### *ping ethernet cfm mac*

Команда генерирует loopback-сообщения от настроенной MEP. Запускается из режима конфигурирования MA.

**Формат:** `ping ethernet cfm mac mac-address domain domain-name level 0-7 vlan vlan-List mpid 1- 8191 count 1-255`

**Режим ввода команд:** привилегированный

<i>Параметр</i>	<i>Описание</i>
<b>mac-address</b>	MAC-адрес места назначения, для которого необходимо подтвердить непрерывность связи.
<b>domain</b>	Имя домена.
<b>level</b>	Уровень домена обслуживания. Диапазон значений: 0–7. Значение по умолчанию: 0.
<b>mpid</b>	Идентификатор Maintenance End Point (MEP ID), от которой будут передаваться loopback-сообщения. Диапазон значений: 1–8191.
<b>vlanID</b>	Идентификатор VLAN. Диапазон значений: 1–409. Отдельные непоследовательные идентификаторы, разделенные запятой (,) без пробелов и нулей между диапазонами. Для диапазона используйте дефис (-).
<b>count</b>	Количество LBM к передаче. Диапазон значений: 1–255. Значение по умолчанию: 5.

### *ping ethernet cfm remote-mpid*

Команда генерирует loopback-сообщения от настроенной MEP. Запускается из режима конфигурирования MA.

**Формат:** `ping ethernet cfm remote-mpid 1-8191 domain domain-name level 0-7 vlan vlanID mpid 1- 8191 count 1-255`

**Режим ввода команд:** привилегированный

<i>Параметр</i>	<i>Описание</i>
<b>remote-mpid</b>	Идентификатор MEP, для которой необходимо подтвердить непрерывность связи. Диапазон значений: 1–8191.
<b>domain</b>	Название домена.
<b>level</b>	Уровень домена. Диапазон значений: 0–7. Значение по умолчанию: 0.
<b>vlanID</b>	Идентификатор VLAN. Диапазон значений: 1–409. Отдельные непоследовательные идентификаторы, разделенные запятой (,) без пробелов и нулей между диапазонами. Для диапазона используйте дефис (-).
<b>mpid</b>	Идентификатор MEP, от которой будут передаваться loopback-сообщения. Диапазон значений: 1–8191.
<b>count</b>	Количество LBM к передаче. Диапазон значений: 1–255. Значение по умолчанию: 5.

### *traceroute ethernet cfm mac*

Эта команда генерирует сообщение трассировки линии от настроенной MEP. Запускается из режима конфигурирования MA.

**Формат:** `traceroute ethernet cfm mac mac-address [domain domain-name | level 0-7] vlan vLanID mpid 1-8191 ttl 1-255`

**Режим ввода команд:** привилегированный

<i>Параметр</i>	<i>Описание</i>
<b>mac-address</b>	MAC-адрес места назначения, для которого необходимо подтвердить непрерывность связи.
<b>level</b>	Уровень домена. Диапазон значений: 0–7. Значение по умолчанию: 0.
<b>mpid</b>	MEP ID, с которой нужно передавать сообщения трассировки линии. Диапазон значений: 1–8191.
<b>vlanID</b>	Идентификатор VLAN. Диапазон значений: 1–40934. Отдельные непоследовательные идентификаторы, разделенные запятой (,) без пробелов и нулей между диапазонами. Для диапазона используйте дефис (-).
<b>ttl</b>	Предполагаемое количество хопов для LTM. Диапазон значений: 1–255. Значение по умолчанию: 64.

### *traceroute ethernet cfm remote-mpid*

Эта команда генерирует сообщение трассировки линии от настроенной MEP. Запускается из режима конфигурирования MA.

**Формат:** `traceroute ethernet cfm remote-mpid 1-8191 [domain domain-name | level 0-7] vlan vLanID mpid 1-8191 ttl 1-255`

**Режим ввода команд:** привилегированный

<i>Параметр</i>	<i>Описание</i>
<b>remote-mpid</b>	MEP ID, для которого необходимо подтвердить непрерывность связи.
<b>domain</b>	Имя домена.
<b>level</b>	Уровень домена. Диапазон значений: 0–7. Значение по умолчанию: 0.
<b>vlanID</b>	Идентификатор VLAN. Диапазон значений: 1–4094. Отдельные непоследовательные идентификаторы, разделенные запятой (,) без пробелов и нулей между диапазонами. Для диапазона используйте дефис (-).
<b>mpid</b>	Идентификатор MEP, от которой будут передаваться сообщения трассировки линии (LTM). Диапазон значений: 1–8191.
<b>ttl</b>	Количество хопов, оставшихся до LTM. Уменьшается на 1 с каждым ответчиком LinkTrace, который обрабатывает LTM. Диапазон значений: 1–255. Значение по умолчанию: 65. Если LTM TTL равен 0 или 1, LTM не передается на следующий хоп, а при значении 0

LTM не генерируется.

### ***show ethernet cfm domain***

Используйте эту команду, чтобы отобразить настроенные параметры домена CFM.

**Формат:** `show ethernet cfm domain domain-name`

**Режим ввода команд:** привилегированный

<i>Параметр</i>	<i>Описание</i>
<b>domain-name</b>	Имя домена.
<b>level</b>	Уровень домена
<b>total Services</b>	Количество сервисных экземпляров.
<b>VLAN</b>	Идентификатор VLAN. Диапазон значений: 1–4094
<b>service-name</b>	Строка символов, которая идентифицирует определенную МА в домене.
<b>CC-Interval</b>	Интервал ССМ. Временной интервал в секундах между успешными передачами ССМ.

### ***show ethernet cfm domain brief***

Используйте данную команду, чтобы отобразить сводную информацию о настроенных параметрах домена CFM.

**Формат:** `show ethernet cfm domain brief`

**Режим ввода команд:** привилегированный

<i>Параметр</i>	<i>Описание</i>
<b>CFM Feature</b>	Указывает, включена ли функция Connectivity Fault Management (CFM).
<b>MEP Archive Hold Time</b>	Период в секундах, в течение которого будут храниться данные от отсутствующей Maintenance End Point (MEP) перед удалением. Допустимые значения: от 1 до 65535 секунд.
<b>domain-name</b>	Имя домена.
<b>level</b>	Уровень домена.
<b>Services</b>	Количество сервисных экземпляров.

### ***show ethernet cfm maintenance-points local domain***

Используйте эту команду, чтобы отобразить настроенный домен *domain-name*.

**Формат:** `show ethernet cfm maintenance-points local domain domain-name`

**Режим ввода команд:** привилегированный

<i>Параметр</i>	<i>Описание</i>
<b>domain-name</b>	Имя домена обслуживания.
<b>MPID</b>	MEP ID

<b>Level</b>	Уровень домена.
<b>Type</b>	Тип точки обслуживания: MEP или MIP.
<b>VLAN</b>	МА, определяемая идентификатором VLAN. Диапазон значений: 1–4094.
<b>Port</b>	Индекс интерфейса физического порта или агрегированного канала, к которому присоединена MEP.
<b>Direction</b>	Направление для MEP. Возможные значения: <ul style="list-style-type: none"> <li>• <b>up</b> – восходящий</li> <li>• <b>down</b> - нисходящий.</li> </ul>
<b>CC Transmit</b>	Если включено, MEP будет генерировать сообщения CCM.
<b>MEP-Active</b>	Указывает административный статус MEP. <b>True</b> указывает, что MEP функционирует нормально. <b>False</b> означает, что MEP прекратила функционировать. По умолчанию: <b>True</b> .
<b>Operational Status</b>	При значении <b>True</b> MEP оперативно включена.
<b>MAC</b>	MAC-адрес MEP.

### **show ethernet cfm maintenance-points local interface**

Используйте эту команду, чтобы отобразить настроенные точки домена на интерфейсе *unit/slot/port*.

**Формат:** `show ethernet cfm maintenance-points local interface [unit/slot/port]`

**Режим ввода команд:** привилегированный

<i>Параметр</i>	<i>Описание</i>
<b>MPID</b>	MEP ID
<b>Level</b>	Уровень домена.
<b>Type</b>	Тип точки обслуживания: MEP или MIP.
<b>VLAN</b>	МА, определяемая идентификатором VLAN. Диапазон значений: 1–4094.
<b>Port</b>	Индекс интерфейса физического порта или агрегированного канала, к которому присоединена MEP.
<b>Direction</b>	Направление для MEP. Возможные значения: <ul style="list-style-type: none"> <li>• <b>up</b> – восходящий</li> <li>• <b>down</b> - нисходящий.</li> </ul>
<b>CC Transmit</b>	Если включено, MEP будет генерировать сообщения CCM.
<b>MEP-Active</b>	Указывает административный статус MEP. <b>True</b> указывает, что MEP функционирует нормально. <b>False</b> означает, что MEP прекратила функционировать. По умолчанию: <b>True</b> .
<b>Operational Status</b>	При значении <b>True</b> MEP оперативно включена.
<b>MAC</b>	MAC-адрес MEP.

### **show ethernet cfm errors**

Используйте данную команду, чтобы отобразить ошибки MEP на определенном домене.

**Формат:** `show ethernet cfm errors`

**Режим ввода команд:** привилегированный

<i>Параметр</i>	<i>Описание</i>
<b>Level</b>	Уровень домена обслуживания.
<b>SVID</b>	12-битный идентификатор VLAN сервиса.
<b>MPID</b>	MEP ID
<b>DefRDICcm</b>	Целочисленное значение, определяющее дефект MEP с самым высоким приоритетом, который генерируется с момента последнего уведомления.
<b>DefMACStatus</b>	Целочисленное значение, определяющее дефект MEP с самым высоким приоритетом, который генерируется с момента последнего уведомления.
<b>DefRemoteCCM</b>	Целочисленное значение, определяющее дефект MEP с самым высоким приоритетом, который генерируется с момента последнего уведомления.
<b>DefErrorCCM</b>	Целочисленное значение, определяющее дефект MEP с самым высоким приоритетом, который генерируется с момента последнего уведомления.
<b>DefXconCCM</b>	Целочисленное значение, определяющее дефект MEP с самым высоким приоритетом, который генерируется с момента последнего уведомления.

### **show ethernet cfm errors domain**

Используйте данную команду, чтобы отобразить ошибки MEP на определенном домене.

**Формат:** `show ethernet cfm errors domain domain-name`

**Режим ввода команд:** привилегированный

<i>Параметр</i>	<i>Описание</i>
<b>domain-name</b>	Имя домена.
<b>Level</b>	Уровень домена.
<b>SVID</b>	12-битный идентификатор VLAN сервиса.
<b>MPID</b>	MEP ID
<b>DefRDICcm</b>	Целочисленное значение, определяющее дефект MEP с самым высоким приоритетом, который генерируется с момента последнего уведомления.
<b>DefMACStatus</b>	Целочисленное значение, определяющее дефект MEP с самым высоким приоритетом, который генерируется с момента последнего уведомления.
<b>DefRemoteCCM</b>	Целочисленное значение, определяющее дефект MEP с самым высоким приоритетом, который генерируется с момента последнего уведомления.
<b>DefErrorCCM</b>	Целочисленное значение, определяющее дефект MEP с самым высоким приоритетом, который гене-



	рируется с момента последнего уведомления.
<b>DefXconCCM</b>	Целочисленное значение, определяющее дефект MEP с самым высоким приоритетом, который генерируется с момента последнего уведомления.

### ***show ethernet cfm errors level***

Используйте данную команду, чтобы отобразить ошибки MEP на определенном домене.

**Формат:** `show ethernet cfm errors level Level`

**Режим ввода команд:** привилегированный

<b><i>Параметр</i></b>	<b><i>Описание</i></b>
<b>Level</b>	Уровень домена. Диапазон значений: 0–7.
<b>SVID</b>	12-битный VLAN ID сервиса.
<b>MPID</b>	MEP ID
<b>DefRDICcm</b>	Remote Defect Indication, используемая MEP для передачи соседним MEP информации об обнаруженном дефекте. Такая MEP передает кадры с информацией ETH-RDI. MEP, прежде чем получить такие кадры, определяет, что соседняя MEP находится в дефектном состоянии..
<b>DefMACStatus</b>	Дефект MAC-статуса. Происходит, если порт с транслирующей MEP, не может передавать обычные данные или первичная VLAN MEP выключена. Дефект обнаруживается, когда последнее CCM, полученное локальной MEP от любой удаленной MEP, передает статус ошибки через статус порта TLV или статус интерфейса TLV.
<b>DefRemoteCCM</b>	Удаленный дефект MEP. Если от соседней MEP не поступают CCM-кадры с интервалом равным периоду передачи CCM MEP, умноженным на 3,5, то фиксируется потеря соединения с соседней MEP.
<b>DefErrorCCM</b>	Указывает MEP, которая получила CCM-кадр с неверным значением временного интервала.
<b>DefXconCCM</b>	Дефект кросс-подключения. Фиксируется в случае несовместимости одного из ожидаемых параметров CCM-кадра, например уровня домена, типа имени домена, типа сервисного имени, сервисного идентификатора и пр.

### ***show ethernet cfm maintenance-points remote domain***

Используйте эту команду, чтобы отобразить данные удаленных MEP в домене *domain-name*.

**Формат:** `show ethernet cfm maintenance-points remote domain domain-name`

**Режим ввода команд:** привилегированный

<b><i>Параметр</i></b>	<b><i>Описание</i></b>
<b>domain-name</b>	Имя домена
<b>MEP ID</b>	MEP ID

<b>RMEP ID</b>	Идентификатор Remote Maintenance Association End Point (RMEP) удаленной MEP.
<b>Level</b>	Уровень домена.
<b>MAC</b>	MAC-адрес удаленной MEP.
<b>VLAN</b>	MA, определяемая идентификатором VLAN. Диапазон значений: 1–4094
<b>Expiry Timer (sec)</b>	Время истечения для записи последнего сообщения CCM на данной RMEP.
<b>Service ID</b>	Название VLAN ID сервиса.

### ***show ethernet cfm maintenance-points remote level***

Используйте эту команду, чтобы отобразить данные удаленных MEP в домене с уровнем *level*.

**Формат:** `show ethernet cfm maintenance-points remote level level`

**Режим ввода команд:** привилегированный

<i>Параметр</i>	<i>Описание</i>
<b>domain-name</b>	Имя домена
<b>MEP ID</b>	MEP ID
<b>RMEP ID</b>	Идентификатор Remote Maintenance Association End Point (RMEP) удаленной MEP.
<b>Level</b>	Уровень домена.
<b>MAC</b>	MAC-адрес удаленной MEP.
<b>VLAN</b>	MA, определяемая идентификатором VLAN. Диапазон значений: 1–4094
<b>Expiry Timer (sec)</b>	Время истечения для записи последнего сообщения CCM на данной RMEP.
<b>Service ID</b>	Название VLAN ID сервиса.

### ***show ethernet cfm maintenance-points remote detail mac***

Используйте эту команду, чтобы отобразить данные удаленной MEP с MAC-адресом *mac-addr*.

**Формат:** `show ethernet cfm maintenance-points remote detail mac mac-addr`

**Режим ввода команд:** привилегированный

<i>Параметр</i>	<i>Описание</i>
<b>mac-addr</b>	6-битный MAC-адрес.
<b>MEP ID</b>	MEP ID
<b>RMEP ID</b>	Идентификатор Remote Maintenance Association End Point (RMEP ID) удаленной MEP.
<b>Level</b>	Уровень домена.
<b>VLAN</b>	MA, определяемая идентификатором VLAN. Диапазон значений: 1–4094
<b>MAC</b>	MAC-адрес удаленной MEP.

<b>Expiry Timer (sec)</b>	Время истечения для записи последнего сообщения CCM на данной RMEP.
<b>Service ID</b>	Идентификатор сервиса.

### ***show ethernet cfm maintenance-points remote detail mpid***

Используйте эту команду, чтобы отобразить данные удаленной MEP с идентификатором MEP mpid.

**Формат:** `show ethernet cfm maintenance-points remote detail mpid 1-8191`

**Режим ввода команд:** привилегированный

<b>Параметр</b>	<b>Описание</b>
<b>mac-addr</b>	6-битный MAC-адрес.
<b>MEP ID</b>	MEP ID
<b>RMEP ID</b>	Идентификатор Remote Maintenance Association End Point (RMEP ID) удаленной MEP.
<b>Level</b>	Уровень домена.
<b>MAC</b>	MAC-адрес удаленной MEP.
<b>VLAN</b>	MA, определяемая идентификатором VLAN. Диапазон значений: 1–4094
<b>Expiry Timer (sec)</b>	Время истечения для записи последнего сообщения CCM на данной RMEP.
<b>Service ID</b>	Идентификатор сервиса.

### ***show ethernet cfm traceroute-cache***

Трассировка соединения, запущенная для MP, которая может быть просмотрена путем отображения базы данных отслеживания соединения — с помощью идентификатора операции или последовательности возвращенных чисел во время срабатывания.

**Формат:** `show ethernet cfm traceroute-cache [sequence-num sequence-num]`

**Режим ввода команд:** привилегированный

<b>Параметр</b>	<b>Описание</b>
<b>sequence-num</b>	Номер последовательности.

### ***show ethernet cfm statistics***

Используйте данную команду, чтобы отобразить статистику, поддерживаемую компонентом CFM для каждой MEP.

**Формат:** `show ethernet cfm statistics [domain domain-name | level 0-7]`

**Режим ввода команд:** привилегированный

<b>Параметр</b>	<b>Описание</b>
-----------------	-----------------

<b>Out-of-sequence CCMs received</b>	Общее количество полученных неработающих последовательностей CCM-сообщений.
<b>CCMs transmitted</b>	Общее количество переданных CCM.
<b>In-order Loopback Replies received</b>	Общее количество полученных работающих откликов обратных петель (LBR).
<b>Out-of-order Loopback Replies received</b>	Общее количество полученных неработающих LBR.
<b>Bad MSDU Loopback Replies received</b>	Общее количество полученных неверных MSDU LBR.
<b>Loopback Replies transmitted</b>	Общее количество переданных откликов трассировки линии (LTR).
<b>Unexpected LTRs received</b>	Общее количество неожиданных откликов трассировки линии (LTR).

### ***clear ethernet cfm maintenance-points remote***

Используйте данную команду, чтобы очистить указанный домен или его уровень удаленной MEP из локальной базы данных.

**Формат:** `clear ethernet cfm maintenance-points remote {domain domain-name | level level}`

**Режим ввода команд:** привилегированный

### ***clear ethernet cfm traceroute-cache***

Используйте данную команду, чтобы очистить кэш трассировки линии Ethernet CFM.

**Формат:** `clear ethernet cfm traceroute-cache`

**Режим ввода команд:** привилегированный

## **8.43 Команды настройки функции Interface Error Disable и Auto Recovery**

Функция Interface Error Disable автоматически выключает интерфейс при обнаружении ошибки; трафик не обрабатывается до тех пор, пока интерфейс не будет вновь включен вручную или, если настроена функция Auto Recovery, пока не пройдет настроенный интервал времени автоматического восстановления.

Для выключения интерфейса при ошибке и автоматического восстановления необходимо, чтобы на интерфейсе было обнаружено состояние ошибки, и интерфейс будет помещен в состояние диагностики путем его выключения. Выключенный при ошибке интерфейс не позволяет трафику проходить до того момента, пока интерфейс не будет снова запущен. Выключенный с ошибкой интерфейс можно включить вручную. В качестве альтернативы администратор может включить функцию Auto Recovery. Auto Recovery повторно запускает интерфейс по истечению настроенного интервала времени.

### ***errdisable recovery cause***

Используйте данную команду, чтобы включить функцию Auto Recovery для указанного события или всех событий. При включенной функции Auto Recovery порты в выключенном состоянии диагностики восстанавливаются, когда истекает интервал восстановления. Если на интерфейсе продолжают возникать ошибки, интерфейс может быть снова помещен в состояние для

диагностики и выключен. Интерфейсы в этом состоянии могут быть включены путем введения команды `no shutdown`.

**Значение по умолчанию:** отсутствует

**Формат:** `errdisable recovery cause {all | arp-inspection | bpduguard | dhcp-rate-limit | sfp-mismatch | udld | ucast-storm | bcast-storm | mcast-storm | bpdustorm | keep-alive | mac-locking | denial-of-service | link-flap}`

**Режим ввода команд:** глобальная конфигурация

### *no errdisable recovery cause*

Используйте данную команду, чтобы выключить функцию Auto Recovery для указанного события. Интерфейсы в выключенном состоянии Auto Recovery не будут запускаться автоматически.

**Формат:** `no errdisable recovery cause {all | arp-inspection | bpduguard | dhcp-rate-limit | sfp-mismatch | udld | ucast-storm | bcast-storm | mcast-storm | bpdustorm | keep-alive | mac-locking | denial-of-service service | link-flap}`

**Режим ввода команд:** глобальная конфигурация

### *errdisable recovery interval*

Используйте эту команду, чтобы настроить временной интервал Auto Recovery. Интервал одинаков для всех событий. Время может быть любым значением от 30 до 86400 секунд. Когда интервал Auto Recovery истекает, система пытается повторно включить (поднять) порты, которые были выключены для диагностики.

**Значение по умолчанию:** 300

**Формат:** `errdisable recovery interval 30-86400`

**Режим ввода команд:** глобальная конфигурация

### *no errdisable recovery interval*

Используйте эту команду, чтобы вернуть временной интервал Auto Recovery в значение по умолчанию (300).

**Формат:** `no errdisable recovery interval`

**Режим ввода команд:** глобальная конфигурация

### *show errdisable recovery*

Используйте данную команду, чтобы отобразить статус конфигурации errdisable для всех настроенных случаев.

**Формат:** `show errdisable recovery`

**Режим ввода команд:** привилегированный

Отображается информация, представленная ниже.

Параметр	Описание
----------	----------

<b>arp-inspection</b>	Состояние (Enable/Disable) ARP-проверки функции Auto Recovery.
<b>bpdguard</b>	Состояние (Enable/Disable) для STP bpduguard функции Auto Recovery.
<b>dhcp-rate-limit</b>	Состояние (Enable/Disable) лимита скорости DHCP функции Auto Recovery.
<b>sfp-mismatch</b>	Состояние (Enable/Disable) несовпадения SFP функции Auto Recovery.
<b>udld</b>	Состояние (Enable/Disable) UDLD функции Auto Recovery.
<b>bpdustorm</b>	Состояние (Enable/Disable) BPDU-шторма функции Auto Recovery.
<b>keepalive</b>	Состояние (Enable/Disable) для LBD функции Auto Recovery.
<b>mac-locking</b>	Состояние (Enable/Disable) MAC-привязки функции Auto Recovery.
<b>denial-of-service</b>	Состояние (Enable/Disable) DoS защиты Auto Recovery.
<b>time interval</b>	Временной интервал автоматического восстановления.

### ***show interfaces status err-disabled***

Используйте данную команду, чтобы отобразить интерфейсы, которые были выключены в связи с ошибкой, и время до автоматического восстановления.

**Формат:** `show interfaces status err-disabled`

**Режим ввода команд:** привилегированный

Отображается информация, представленная ниже.

<i>Параметр</i>	<i>Описание</i>
<b>interface</b>	Интерфейс, который был выключен в связи с ошибкой.
<b>Errdisable Reason</b>	Причина выключения интерфейса
<b>Auto-Recovery Time Left</b>	Оставшееся время до автоматического восстановления.

## **8.44 Команды настройки UDLD<sup>1</sup>**

Задача функции UniDirectional Link Detection (UDLD) — обнаруживать однонаправленные соединения и избегать их. Такие соединения являются аномалиями пересылки на канале коммуникаций 2 уровня, в которых двунаправленные соединения перестают передавать трафик в одном направлении. Используйте команды UDLD, чтобы обнаружить физические порты однонаправленных соединений. Для того чтобы однонаправленное соединение было обнаружено,

<sup>1</sup> Данный функционал доступен при наличии лицензии UDLD. Для активации свяжитесь со службой технической поддержки.

UDLD необходимо включить на обеих сторонах соединения. Работа UDLD осуществляется путем обмена пакетами, содержащими информацию о соседних устройствах.

### ***udld enable (Global Config)***

Эта команда глобально включает UDLD на коммутаторе.

**Значение по умолчанию:** выключено  
**Формат:** `udld enable`  
**Режим ввода команд:** глобальная конфигурация

### ***no udld enable (Global Config)***

Эта команда глобально выключает UDLD на коммутаторе.

**Формат:** `no udld enable`  
**Режим ввода команд:** глобальная конфигурация

### ***udld message time***

Данная команда настраивает интервал между тестовыми сообщениями UDLD-датчика на портах, которые находятся в фазе анонсирования. Диапазон — от 7 до 90 секунд.

**Значение по умолчанию:** 15 секунд  
**Формат:** `udld message time interval`  
**Режим ввода команд:** глобальная конфигурация

### ***udld timeout interval***

Данная команда настраивает интервал времени, после которого UDLD-соединение будет считаться однонаправленным. Диапазон — от 5 до 60 секунд.

**Значение по умолчанию:** 5 секунд  
**Формат:** `udld timeout interval interval`  
**Режим ввода команд:** глобальная конфигурация

### ***udld reset***

Данная команда перезагружает все интерфейсы, которые были выключены при работе UDLD.

**Значение по умолчанию:** отсутствует  
**Формат:** `udld reset`  
**Режим ввода команд:** привилегированный

### ***udld enable (Interface Config)***

Эта команда включает UDLD на определенном интерфейсе.

**Значение по умолчанию:** выключено  
**Формат:** `udld enable`  
**Режим ввода команд:** конфигурирование интерфейса

## no uddl enable (Interface Config)

Эта команда выключает UDLD на определенном интерфейсе.

**Формат:** no uddl enable  
**Режим ввода команд:** конфигурирование интерфейса

### udld port

Данная команда выбирает операционный режим UDLD на данном интерфейсе. Если ключевое слово **aggressive** не введено, порт выполняет действия в обычном режиме.

**Значение по умолчанию:** normal  
**Формат:** uddl port [aggressive]  
**Режим ввода команд:** конфигурирование интерфейса

### show uddl

Данная команда отображает глобальные настройки UDLD.

**Формат:** show uddl  
**Режим ввода команд:** пользовательский  
 привилегированный

Параметр	Описание
Admin mode	Глобальный административный режим UDLD.
Message Interval	Период времени в секундах между передачей тестовых пакетов UDLD-датчика.
Timeout Interval	Период времени в секундах перед тем, как принимается решение о том, что соединение однонаправленное.

### show uddl

Команда отображает настройки UDLD для указанного интерфейса *unit/slot/port*. Если введено ключевое слово **all**, отображается информация для всех портов.

**Формат:** show uddl {unit/slot/port | all}  
**Режим ввода команд:** пользовательский  
 привилегированный

Параметр	Описание
Port	Номер порта
Admin Mode	Административный режим UDLD, настроенный на данном интерфейсе. Может быть <b>Enabled</b> или <b>Disabled</b> .
UDLD Mode	Режим UDLD, настроенный на интерфейсе. Может быть <b>Normal</b> или <b>Aggressive</b> .
UDLD Status	Статус соединения, определенный UDLD. Возможные значения: <ul style="list-style-type: none"> <li><b>Undetermined:</b> UDLD не собрал достаточно информации для определения состояния порта.</li> </ul>



	<ul style="list-style-type: none"><li>• <b>Not applicable:</b> UDLD выключен глобально или на порте.</li><li>• <b>Shutdown:</b> UDLD обнаружил однонаправленное соединение и выключил порт. То есть порт находится в состоянии errDisabled.</li><li>• <b>Bidirectional:</b> UDLD обнаружил двунаправленную линию связи.</li><li>• <b>Undetermined (Link Down):</b> порт перейдет в это состояние, когда связь порта физически выходит из строя по каким-либо иным причинам, кроме случая, когда он помещен в режим D-Disable протоколом UDLD на коммутаторе.</li></ul>
--	--

## 9 КОМАНДЫ НАСТРОЙКИ ФУНКЦИОНАЛА DATA CENTER<sup>1</sup>

Команды пакета Data Center позволяют сетевым операторам развертывать сети Ethernet с использованием их полного потенциала в поддержку конвергентной сети с данными, поступающими по оптоволоконным каналам и Ethernet в соответствии со спецификацией рабочей группы FC-BB-5 стандарта ANSI T11. Эта возможность позволяет операторам развертывать сети с меньшими расходами и сохранять все операции управления сетью, которые существуют сегодня.

### 9.1 Команды настройки протокола DCBX

Протокол Data Center Bridging Exchange (DCBX) используется DCB-устройствами для обмена конфигурационной информацией с подключенными напрямую устройствами. Протокол также используется для обнаружения ошибок в конфигурациях партнерских DCB-устройств и, при необходимости, для настройки таких DCB-устройств.

#### *lldp dcbx version*

Используйте команду *lldp dcbx version* в режиме глобальной конфигурации чтобы настроить административную версию протокола DCBX. Эта команда позволяет коммутатору поддерживать определенную версию протокола DCBX или определять версию на партнерском устройстве и подстраиваться под нее. DCBX может быть настроен для работы в режиме IEEE, CEE или CIN. В режиме *auto* определение версии основано на версии партнерского устройства DCBX. Коммутатор работает либо в режиме IEEE, либо в режиме совместимости на каждом интерфейсе.

В режиме *auto* коммутатор пытается быстро начать обмен, посылая кадр IEEE, затем кадр CEE, а затем кадр CIN. При этом коммутатор будет анализировать полученный ответ и по итогам сразу же перейдет на версию партнерского устройства.



**CIN — это Cisco Intel Nuova DCBX (версия 1.0). CEE — это объединенный усиленный протокол Ethernet DCBX (версия 1.06).**

**Значение по умолчанию:** auto

**Формат:** `lldp dcbx version { auto | cin | cee | ieee }`

**Режим ввода команд:** глобальная конфигурация

Термин	Значение
auto	Автоматический выбор версии, основанный на ответе партнерского устройства.
cin	Принудительное включение режима CIN (DCBX 1.0)
cee	Принудительное включение режима CEE (DCBX 1.06)
ieee	Принудительное включение режима IEEE 802.1Qaz (DCBX 1.0)

<sup>1</sup> Данный функционал доступен при наличии лицензии Data Center. Для активации свяжитесь со службой технической поддержки.

### *no lldp dcbx version*

Используйте **no**-форму команды, чтобы вернуть версию DCBX в значение по умолчанию (**auto**).

**Формат:** no lldp dcbx version

**Режим ввода команд:** глобальная конфигурация

### *lldp tlv-select dcbxp*

Используйте команду *lldp tlv-select dcbxp* в режиме конфигурирования интерфейса или глобальной конфигурации для отправки конкретных DCBX TLV, если LLDP на данном интерфейсе включен для передачи. Если дополнительных параметров нет, все DCBX TLV включаются для передачи. По умолчанию все DCBX TLV включены для передачи. Если настройка выполняется в режиме конфигурирования интерфейса, она перекрывает глобальную конфигурацию на указанном интерфейсе.

**Значение по умолчанию:** Передача всех TLV по умолчанию включена.

**Формат:** lldp tlv-select dcbxp [ ets-config | ets-recommend | pfc | application-priority]

**Режим ввода команд:** конфигурирование интерфейса  
глобальная конфигурация

<i>Термин</i>	<i>Значение</i>
<b>ets-config</b>	Передать TLV конфигурации ETS
<b>ets-recommend</b>	Передать TLV рекомендации ETS.
<b>pfc</b>	Передать TLV конфигурации PFC.
<b>application- priority</b>	Передача TLV приоритета приложения.

### *no lldp tlv-select dcbxp*

Команда **no lldp tlv-select dcbxp** используется, чтобы запретить LLDP отправлять все или некоторые DCBX TLV, даже если LLDP на данном интерфейсе включен для передачи.

**Формат:** no lldp tlv-select dcbxp [ ets-config | ets-recommend | pfc | application-priority]

**Режим ввода команд:** конфигурирование интерфейса  
глобальная конфигурация

### *lldp dcbx port-role*

Команда **lldp dcbx port-role** в режиме конфигурирования интерфейса позволяет настроить роль порта. Возможные значения: manual, auto-upstream, auto-downstream и configuration source. Чтобы сократить нестабильность конфигурации, порты, которые получают информацию о конфигурации из порта-источника конфигурации, будут поддерживать эту конфигурацию в течение двукратного времени жизни записи LLDP, даже если порт исходной конфигурации будет оперативно выключен.

**Значение по умолчанию:** используется роль порта **manual**.

**Формат:** lldp dcbx port-role {auto-up|auto-down|manual |configuration-source}

<i>Термин</i>	<i>Значение</i>
<b>Manual</b>	При такой настройке роли конфигурация портов не меняется под воздействием партнерских устройств или внутреннего распространения конфигурации. Такие порты будут анонсировать свою конфигурацию на партнерские устройства, если на данном порте включен DCBX. Если роль порта настроена как manual, функция willing bit будет выключена.
<b>Auto-up</b>	Анонсирует конфигурацию, но также готов принять конфигурацию от партнера по соединению и распространять ее внутренне к портам с настройкой auto-down, а также получать внутренне распространяемые конфигурации от портов auto-up. На этих портах функция willing bit включена. Такие порты должны быть подключены к FCF.
<b>Auto-down</b>	Анонсирует конфигурацию, но не настроен принимать ее от партнеров по соединению. При этом порт будет принимать конфигурацию, распространяемую внутренне источником конфигурации. На этих портах функция willing bit выключена. Выбор порта на основе совместимости полученной конфигурации подавляется. Такие порты должны быть подключены к доверенным FCF.
<b>Configuration Source</b>	В этом режиме роль источника конфигурации назначается порту вручную. Полученные через этот порт конфигурации распространяются на другие порты с автоматической конфигурацией. Выбор порта на основе совместимости полученной конфигурации подавляется. Такие порты должны быть подключены к доверенным FCF. На этих портах функция willing bit включена.

*no lldp dcbx port-role*

Используйте команду *no lldp dcbx port-role* в режиме конфигурирования интерфейса, чтобы настроить порт на ручной режим.

***show lldp tlv-select***

Команда *show lldp tlv-select* в привилегированном режиме отображает конфигурацию TLV по каждому интерфейсу.

**Формат:**                                `show lldp tlv-select {interface all | unit/slot/port }`

**Режим ввода команд:**                привилегированный

<i>Параметр</i>	<i>Описание</i>
<b>all</b>	Все интерфейсы.
<b>unit/slot/port</b>	Идентификатор физического интерфейса.

## ***show lldp dcbx interface***

Команда *show lldp dcbx interface* в привилегированном режиме отображает локальный контрольный статус DCBX для интерфейса.

**Формат:** `show lldp dcbx interface all | unit/slot/port <detail>`

**Режим ввода команд:** привилегированный

<b>Параметр</b>	<b>Описание</b>
<b>unit/slot/port</b>	Идентификатор физического интерфейса.
<b>all</b>	Все интерфейсы.
<b>Detail</b>	Отобразить подробную информацию о DCBX.
<b>Status</b>	Вывод сводной информации о статусе.
<b>trafficclass</b>	Класс трафика может находиться в диапазоне от 0 до 6.
<b>traffic class group</b>	Значение Traffic Class Group может находиться в диапазоне от 0 до 2.

## ***no classofservice traffic-class-group***

Команда *no classofservice traffic-class-group* в режиме глобальной конфигурации или конфигурирования интерфейса используется для возвращения привязки классов трафика в значения по умолчанию.

**Формат:** `no classofservice traffic-class-group`

**Режим ввода команд:** глобальная конфигурация  
конфигурирование интерфейса

## ***traffic-class-group max-bandwidth***

Используйте команду *traffic-class-group max-bandwidth* в режиме глобальной конфигурации или конфигурирования интерфейса, чтобы определить максимальный уровень пропускной способности передачи для каждой TCG. Такую операцию также называют ограничением полосы канала, она помогает распределить временные всплески трафика во времени, ограничивая объем передаваемого трафика.

**Значение по умолчанию:** Max-bandwidth равно нулю для всех TCG.

**Формат:** `traffic-class-group max-bandwidth bw-0 bw-1 ... bw-n`

**Режим ввода команд:** глобальная конфигурация  
конфигурирование интерфейса

Эта команда, выполненная в режиме конфигурирования интерфейса, действует только на один интерфейс, в то время как в режиме глобальной конфигурации применяется для всех интерфейсов.

Каждое значение bw-х представляет собой процентный уровень, который находится в диапазоне от 0 до 100 с шагом в 1. Все n значений пропускной способности должны быть заданы с помощью этой команды, их сумма не должна превышать 100%. Число n соответствует количеству поддерживаемых TCG. Максимальное значение пропускной способности для каждой TCG по умолча-

нию 0, это значит, что никакого верхнего предела не устанавливается, что позволяет очереди TCG потреблять любую доступную негарантированную пропускную способность интерфейса.

Если для любого параметра пропускной способности *bw-x* задано ненулевое значение, оно должно быть не меньше, чем действующее минимальное значение пропускной способности для соответствующей очереди. Нулевое значение для максимального параметра пропускной способности *bw-x* может быть задано в любое время без ограничений.

Максимальный предел пропускной способности может быть использован вместе с ограниченной схемой либо со схемой со строгим приоритетом планирования.



**Нулевое значение (по умолчанию) означает неограниченный верхний предел передачи, который аналогичен 100%, хотя возможны незначительные эксплуатационные различия в зависимости от того, как устройство воспринимает отсутствие ограничений в сравнении с ограничением на уровне 100%.**

### *no traffic-class-group max-bandwidth*

Используйте команду *no traffic-class-group max-bandwidth* в режиме глобальной конфигурации или режиме конфигурирования интерфейса, чтобы восстановить для максимального значения пропускной способности каждой очереди значение по умолчанию.

**Формат:** `no traffic-class-group max-bandwidth`

**Режим ввода команд:** глобальная конфигурация  
конфигурирование интерфейса

### *traffic-class-group min-bandwidth*

Команда *traffic-class-group min-bandwidth* в режиме глобальной конфигурации или конфигурирования интерфейса определяет гарантированный минимальный уровень пропускной способности передачи для каждой TCG.

**Значение по умолчанию:** Min-bandwidth равно нулю для всех TCG.

**Формат:** `traffic-class-group min-bandwidth bw-0 bw-1 ... bw-n`

**Режим ввода команд:** глобальная конфигурация

конфигурирование интерфейса

Данная команда, выполненная в режиме конфигурирования интерфейса, действует только на один интерфейс, в то время как в режиме глобальной конфигурации применяется для всех интерфейсов.

Каждое значение *bw-x* представляет собой процентный уровень, который находится в диапазоне от 0 до 100 с шагом в 1. Все *n* значений пропускной способности должны быть заданы с помощью этой команды, их общая сумма не должна превышать 100%. Число *n* зависит от платформы и соответствует количеству поддерживаемых TCG. Минимальное значение пропускной способности для каждой TCG по умолчанию 0, то есть наличие пропускной способности не гарантируется (предоставление по возможности).

Если указанное значение любого параметра bw-x больше, чем текущее максимальное значение пропускной способности для соответствующей TCG, соответствующая максимальная пропускная способность автоматически увеличивает значение на ту же величину.

### *no traffic-class-group min-bandwidth*

Команда *no traffic-class-group min-bandwidth* в режиме глобальной конфигурации или режиме конфигурирования интерфейса восстанавливает для минимального значения пропускной способности каждой очереди значение по умолчанию.

**Формат:** `no traffic-class-group min-bandwidth`  
**Режим ввода команд:** глобальная конфигурация  
 конфигурирование интерфейса

### *traffic-class-group strict*

Используйте команду *traffic-class-group strict* в режиме глобальной конфигурации или режиме конфигурирования интерфейса, чтобы активировать режим планировщика со строгим приоритетом для каждой TCG.

**Значение по умолчанию:** для всех TCG используется режим взвешенного планировщика.  
**Формат:** `traffic-class-group strict tcg-id-0 [tcg-id-1 ... tcg-id-n]`  
**Режим ввода команд:** глобальная конфигурация  
 конфигурирование интерфейса

Данная команда, выполненная в режиме конфигурирования интерфейса, действует только на один интерфейс, в то время как в режиме глобальной конфигурации применяется для всех интерфейсов.

Команда должна задавать как минимум одно, но не более n значений tcg-id. Повторяющиеся значения tcg-id игнорируются. Каждое значение tcg-id находится в диапазоне от 0 до (n-1), где n обозначает общее количество TCG, поддерживаемых интерфейсом. Число n соответствует количеству поддерживаемых TCG.

Когда для TCG назначен строгий приоритет, минимальное значение пропускной способности для TCG игнорируется, пакеты определяются для передачи сразу после поступления. Максимальное значение пропускной способности для очереди, если таковое настроено, служит для ограничения исходящей скорости передачи очереди TCG со строгим приоритетом, чтобы она не потребляла всю пропускную способность интерфейса. Если строгий приоритет назначен нескольким TCG на одном интерфейсе, способ обработки их пакетов для передачи зависит от платформы. Одной из типичных схем является планирование всех TCG со строгим приоритетом перед взвешенными очередями. Приоритет среди TCG со строгим приоритетом остается за группой с наивысшим tcg-id.

### *no traffic-class-group strict*

Используйте команду *no traffic-class-group strict* в режиме глобальной конфигурации или конфигурирования интерфейса, чтобы восстановить режим планировщика по умолчанию для каждой TCG.

**Формат:** `no traffic-class-group strict tcg-id-0 [tcg-id-1 ... tcg-id-n]`

**Режим ввода команд:** глобальная конфигурация  
конфигурирование интерфейса

### ***traffic-class-group weight***

Команда *traffic-class-group weight* в режиме глобальной конфигурации или конфигурирования интерфейса устанавливает вес для каждой TCG интерфейса.

**Значение по умолчанию:** Для TCG0:TCG1:TCG2, вес установлен в соотношении 100%:0%:0%

**Формат:** `traffic-class-group weight wp-0 wp-1 ... wp-n`

**Режим ввода команд:** глобальная конфигурация  
конфигурирование интерфейса

Данная команда, выполненная в режиме конфигурирования интерфейса, действует только на один интерфейс, в то время как в режиме глобальной конфигурации применяется для всех интерфейсов.

Каждое значение *wp-x* (weight percentage) представляет собой процентный уровень, который находится в диапазоне от 0 до 100 с шагом в 1. Все *n* значений пропускной способности должны быть заданы с помощью этой команды, их общая сумма не должна превышать 100%. Число *n* соответствует количеству поддерживаемых TCG. Значение *wp-x* по умолчанию находится в соотношении 1:2:3 для TCG0:TCG1:TCG2 и рассчитывается как 100%:0%:0%.

Для TCG, которые настроены со строгим приоритетом, процент веса не учитывается.

### ***no traffic-class-group weight***

Команда *no traffic-class-group weight* в режиме глобальной конфигурации или режиме конфигурирования интерфейса восстанавливает вес для каждой TCG интерфейса в значение по умолчанию.

**Формат:** `no traffic-class-group weight wp-0 wp-1 ... wp-n`

**Режим ввода команд:** глобальная конфигурация  
конфигурирование интерфейса

### ***show classofservice traffic-class-group***

Используйте команду *show classofservice traffic-class-group* в привилегированном режиме, чтобы отобразить привязку классов трафика к Traffic Class Group.

**Формат:** `show classofservice traffic-class-group [unit/slot/port]`

**Режим ввода команд:** привилегированный

## ***Расширенный выбор режима передачи и Traffic Class Group***

### ***classofservice traffic-class-group***

Команда *classofservice traffic-class-group* в режиме глобальной конфигурации или конфигурирования интерфейса используется для привязки внутренних значений Traffic Class Group (TCG).

**Значение по умолчанию:** Все классы трафика привязаны к TCG 0.



**Формат:** classofservice traffic-class-group trafficclass traffic class group

**Режим ввода команд:** глобальная конфигурация  
конфигурирование интерфейс

Параметр	Описание
unit/slot/port	Необязательный параметр, действует только на платформах, которые поддерживают независимое распределение класса сервисов для каждого порта. <ul style="list-style-type: none"> <li>Если значение unit/slot/port указано, выводятся таблицы привязки TCG для этого интерфейса.</li> <li>Если значение unit/slot/port пропущено, отображаются глобальные параметры конфигурации (которые могут быть заменены конфигурацией конкретных портов).</li> </ul>
Traffic Class	Идентификатор очереди класса трафика.
Traffic Class Group	Идентификатор TCG.

## 9.2 Команды настройки FIP Snooping

Fibre Channel over Ethernet (FCoE) Initialization Protocol (FIP) используется для выполнения функций обнаружения, инициализации и технического обслуживания устройств FC\_BB\_E. FIP использует отдельный от FCoE EtherType для обнаружения, изолирования, инициализации и обслуживания от прочего трафика, трафика FCoE. FIP-кадры (за одним исключением) имеют стандартный Ethernet-размер (1518 байт для кадра 802.1q), тогда как FCoE-кадры имеют максимум 2240 байт.

В этой части описаны процедуры FIP Snooping, т. е. метода контроля кадров, используемого мостами FIP Snooping для мониторинга FIP-кадров, и применения к ним политик, основанных на данных заголовка L2 в этих кадрах, в соответствии с рекомендациями Приложения С FC\_BB\_5 ред. 2.00. Возможности FIP Snooping перечислены ниже.

1. Автоматическая настройка Ethernet-списков контроля доступа (ACL) на основе данных в Ethernet-заголовках FIP-кадров.
2. Эмуляция двухточечных FC-соединений внутри сети DCB Ethernet.
3. Повышение безопасности/надежности FCoE за счет предотвращения подмены MAC-адресов FCoE.

Решение моста FIP Snooping поддерживает только конфигурации портов в режиме периметра и подключенных к FCF и предназначено исключительно для использования в периферийной части коммутируемой сети.

Настройки портов коммутатора, где включена функция FIP Snooping, делятся на следующие категории.

1. Порт периметра или периферийный порт (подключен непосредственно к ENode).
2. Порт, подключенный к FCF (который принимает трафик от FCF, направленных на ENode).

По умолчанию режим порта в сети VLAN с включенным FCoE установлен как порт периметра. Порты, подключенные к FCF, должны быть настроены пользователем.

## ***feature fip-snooping***

Команда *feature fip-snooping* в режиме глобальной конфигурации глобально включает FIP Snooping на коммутаторе. Когда функция FIP Snooping выключена, полученные FIP-кадры пересылаются или распространяются по обычным правилам многоадресной рассылки.

Когда FIP Snooping включена, на коммутаторе устанавливаются списки контроля доступа FC-BB-5, Приложение D, и FIP-кадры отслеживаются. FIP Snooping не позволяет кадрам FIP или FCoE проходить через порт до тех пор, пока на порте не будет включен PFC. Для передачи значений Dot1p по сети на интерфейсе должно быть включено тегирование трафика.

**Значение по умолчанию:** выключено  
**Формат:** feature fip-snooping  
**Режим ввода команд:** глобальная конфигурация

## ***no feature fip-snooping***

Используйте по-форму команды, чтобы вернуть настройки к значениям по умолчанию и глобально выключить FIP Snooping. Когда функция FIP Snooping глобально выключена, полученные FIP-кадры пересылаются или распространяются по обычным правилам многоадресной рассылки. Кроме того, пока не включена функция FIP Snooping, другие команды FIP Snooping недоступны.

**Формат:** no feature fip-snooping  
**Режим ввода команд:** глобальная конфигурация

### ***Пример:***

Команда выключает функцию FIP Snooping.

```
s1(config)#no feature fip-snooping
```

## ***fip-snooping enable***

Используйте команду *fip-snooping enable* в режиме конфигурирования VLAN, чтобы включить FIP Snooping для пакетов на настроенных VLAN. Функция FIP Snooping в сетях VLAN по умолчанию выключена.

Чтобы FIP Snooping работала на данном интерфейсе, необходимо включить Priority Flow Control (PFC). Для передачи значения Dot1p по сети на интерфейсе должно быть включено тегирование трафика.

Данная команда может использоваться только после включения FIP Snooping с помощью команды *feature fip-snooping*. В противном случае она не отобразится в дереве синтаксиса CLI.

**Значение по умолчанию:** выключено  
**Формат:** feature fip-snooping  
**Режим ввода команд:** конфигурирование VLAN

## ***no fip-snooping enable***

Используйте **no**-форму команды, чтобы вернуться в режим по умолчанию (выкл.).

**Формат:** no feature fip-snooping  
**Режим ввода команд:** конфигурирование VLAN

### *fip-snooping fc-map*

Используйте команду *fip-snooping fc-map* в режиме конфигурирования VLAN, чтобы настроить значение FC-MAP на VLAN. Значение FC-MAP используется, чтобы обезопасить коммутатор от неверной конфигурации.

При настройке с использованием заводских MAC-адресов FCoE-устройства передают кадры, содержащие значения FC-MAP в старших 24 битах. Через VLAN передаются только кадры, которые соответствуют настроенному значению FC-MAP. Кадры с MAC-адресов, которые не соответствуют значению FC-MAP, отбрасываются.

Данная команда может использоваться только после включения FIP Snooping с помощью команды *feature fip-snooping*. В противном случае она не отобразится в дереве синтаксиса CLI.

**Значение по умолчанию:** значение FC-MAP по умолчанию — 0x0efc00.

**Формат:** *fip-snooping fc-map 0x0 - 0xffffffff*

**Режим ввода команд:** конфигурирование VLAN

<i>Параметр</i>	<i>Описание</i>
<b>map value</b>	Допустимые значения FC-MAP находятся в диапазоне от 0x0 до 0xffffffff.

### *no fip-snooping fc-map*

**Но-форма** команды отмены устанавливает FC-MAP для VLAN в значение по умолчанию.

**Формат:** *no fip-snooping fc-map*

**Режим ввода команд:** конфигурирование VLAN

### *fip-snooping port-mode*

Чтобы передать FIP-пакеты, полученные от узлов, на канал FCF, коммутатор должен знать интерфейсы, к которым подключены FCF. Используйте команду *fip-snooping port-mode* в режиме конфигурирования интерфейса, чтобы настроить интерфейс, подключенный к каналу FCF. По умолчанию, если интерфейс не настроен как подключенный к FCF, интерфейс будет настроен как интерфейс узла.

Рекомендуется, чтобы подключенные к FCF порты были настроены в режим auto-upstream, чтобы получать данные DCBX и распространять их далее на CNA-порты (подключенные к узлам).

Интерфейсы должны быть настроены в режиме trunk или general и включены для PFC, прежде чем FCoE-трафик сможет проходить через порт.

Данная команда может использоваться только после включения FIP Snooping с помощью команды *feature fip-snooping*. В противном случае она не отобразится в дереве синтаксиса CLI.

**Значение по умолчанию:** настроен как интерфейс узла.

**Формат:** *fip-snooping port-mode fcf*

**Режим ввода команд:** конфигурирование интерфейса

Параметр	Описание
fcf	Fibre Channel Fabric

### **show fip-snooping**

Используйте команду *show fip-snooping* в пользовательском или привилегированном режиме, чтобы отобразить информацию о глобальных настройках и статусе FIP Snooping.

**Формат:** `show fip-snooping`

**Режим ввода команд:** пользовательский  
привилегированный

Отображается информация, представленная ниже.

Параметр	Описание
Global Mode	Fibre Channel Fabric
FCoE VLAN List	Список идентификаторов VLAN, на которых включена FIP Snooping.
FCFs	Количество FCF, обнаруженных на коммутаторе.
ENodes	Количество узлов ENode, обнаруженных на коммутаторе.
Sessions	Общее количество виртуальных сессий на коммутаторе.
Max VLANs	Максимальное количество сетей VLAN, которые могут быть доступны для FIP Snooping на коммутаторе.
Max FCFs in VLAN	Максимальное количество FCF, поддерживаемых одной VLAN.
Max ENodes	Максимальное количество узлов ENode, поддерживаемых коммутатором.
Max Sessions	Максимальное количество сессий, поддерживаемых коммутатором.

### **show fip-snooping enode**

Используйте команду *show fip-snooping enode* в пользовательском или привилегированном режиме, чтобы отобразить информацию об интерфейсах, подключенных к узлам ENode.



**Данная команда может использоваться только после включения FIP Snooping с помощью команды *feature fip-snooping*. В противном случае она не отобразится в дереве синтаксиса CLI.**

**Формат:** `show fip-snooping enode [ENode-mac]`

**Режим ввода команд:** пользовательский  
привилегированный

Параметр	Описание
ENode-mac	MAC-адрес отображаемого узла enode.

Команда отображает следующую информацию.

Параметр	Описание
Interface	Интерфейс, к которому подключен ENode.

<b>VLAN</b>	Идентификатор VLAN, к которой принадлежит ENode.
<b>NameID</b>	Имя ENode.
<b>FIP-MAC</b>	MAC-адрес ENode.
<b>FCID</b>	Идентификационный номер FC-канала виртуального порта, созданный FCF, когда ENode авторизовался в сети.
<b>Sessions Established</b>	Количество успешно установленных виртуальных подключений.

Команда выводит на экран следующую дополнительную информацию, если указан дополнительный аргумент.

<i>Параметр</i>	<i>Описание</i>
<b>Sessions Waiting</b>	Количество виртуальных подключений, ожидающих принятия от FCF.
<b>Sessions Failed</b>	Количество неудавшихся сессий.
<b>Max-FCoE-PDU</b>	Максимальный размер PDU FCoE, который MAC-адрес узла ENode будет использовать для трафика FCoE. Это эквивалентно максимальной полезной нагрузке кадра Ethernet, которую ENode намерен отправлять.
<b>Time elapsed</b>	Время с момента первой зафиксированной успешной сессии узла ENode.

### ***show fip-snooping fcf***

Используйте команду **show fip-snooping fcf** в пользовательском или привилегированном режиме, чтобы отобразить информацию об интерфейсах, подключенных к FCF.



**Данная команда может использоваться только после включения FIP Snooping с помощью команды *feature fip-snooping*. В противном случае она не отобразится в дереве синтаксиса CLI.**

**Формат:** `show fip-snooping fcf [fcf-mac]`

**Режим ввода команд:** пользовательский  
привилегированный

Следующая информация отображается, если не прописан мас-аргумент FCF.

<i>Параметр</i>	<i>Описание</i>
<b>Interface</b>	Интерфейс, к которому подключен FCF.
<b>VLAN</b>	Идентификаторы VLAN, к которым относится FCF.
<b>No. of ENodes</b>	Общее количество узлов ENode, подключенных к FCF
<b>FPMA/SPMA</b>	Тип MAC-адреса для узла ENode, согласованный с FCF.
<b>FCMAP</b>	FCMAP значение, используемое FCF.
<b>FIP-MAC</b>	MAC-адрес FCF.
<b>Fabric Name</b>	Имя FCF.

Ниже показана дополнительная информация, отображаемая, если аргумент MAC-адреса FCF прописан.

<i>Параметр</i>	<i>Описание</i>
<b>Sessions</b>	Общее количество сессий, принятых FCF в связанной VLAN.
<b>D-bit</b>	Отражает значение D-бит, представленное самым последним анонсом обнаружения, полученным от FCF. Когда значение D-бит равно нулю, мост FIP Snooping проверяет периодические KeepAlive-кадры VN_Port FIP, связанные с FCF, и анонсы обнаружения, отправленные FCF. Когда D-бит установлен как 1, коммутатор отбрасывает отслеженные KeepAlive-кадры VN_Port FIP, связанные с FCF, и не прерывает FCoE-сессии, установленные с FCF на основе интервала FKA_VN_PERIOD*5.
<b>Available for Login</b>	Отражает значение A-бита, представленное самым последним анонсом обнаружения, полученным от FCF. Предоставляет информацию о том, что передающий FCF доступен для FIP-кадров FLOGI/FDISC от узлов ENode. Это справочная информация, не имеющая никакого влияния на существующие подключения.
<b>Priority</b>	Приоритет, исходящий от FCF в запрошенном анонсе обнаружения. Указывает приоритет, который был назначен в FCF вручную.
<b>FKA-ADV</b>	FIP keealive-интервал (FKA_ADV_PERIOD) в секундах, настроенный на FCF и умноженный на пять. Например, если период FKA_ADV, настроенный на FCF, равен 80 секундам, значение этого поля равно 400.
<b>FCF Expiry Time</b>	Значение таймера мониторинга состояния FCF. Запись FCF и все связанные с ней виртуальные сессии будут удалены, когда значение достигает 0. Это значение сбрасывается на Configured FKA-ADV каждый раз, когда от FCF-MAC приходит анонс обнаружения.
<b>Time Elapsed</b>	Время с момента обнаружения FCF.

### **show fip-snooping sessions**

Используйте команду `show fip-snooping sessions` в пользовательском или привилегированном режиме, чтобы отобразить информацию об активных сессиях FIP Snooping.



**Данная команда может использоваться только после включения FIP Snooping с помощью команды `feature fip-snooping`. В противном случае она не отобразится в дереве синтаксиса CLI.**

**Формат:** `show fip-snooping sessions [[[vlan vLan-id] | [interface interface-id] | [fcf fcf- mac [enode Enode-mac]]] [detail]]`

**Режим ввода команд:** пользовательский, привилегированный

<i>Параметр</i>	<i>Описание</i>
-----------------	-----------------

<b>Interface-id</b>	Идентификатор интерфейса, где включена функция FIP Snooping.
<b>FCF-MAC</b>	MAC-адрес FCF в рамках сессии.
<b>ENode-MAC</b>	MAC-адрес узла ENode в рамках сессии.
<b>VLAN</b>	Идентификатор VLAN, к которой принадлежит сессия.
<b>FCoE MAC</b>	MAC-адрес источника пакетов FCoE, выданные узлом ENode в рамках сессии.
<b>FC-ID</b>	Идентификатор FC-канала виртуального порта, созданного FCF, когда VN_Port узла ENode сделал запрос FLOGI/NPIV/FDISC.

Вывод команды меняется при использовании опции *detail*. В этом случае выводится следующая информация.

<b>Параметр</b>	<b>Описание</b>
<b>VLAN</b>	Сеть VLAN, к которой принадлежит сессия.
<b>FC-MAP</b>	FCMAP-значение, используемое FCF.
<b>FCFs</b>	Количество обнаруженных FCF.
<b>ENodes</b>	Количество обнаруженных узлов ENode.
<b>Sessions</b>	Общее количество сессий в FCoE VLAN.
<b>FCF Information</b>	
<b>Interface</b>	Интерфейс, где обнаружен FCF.
<b>MAC</b>	MAC-адрес FCF.
<b>ENodes</b>	Общее количество узлов ENode, подключенных к FCF.
<b>Sessions</b>	Общее количество сессий, принятых FCF в связанной VLAN.
<b>ENode Information</b>	
<b>Interface</b>	Интерфейс, к которому подключен ENode.
<b>MAC</b>	MAC-адрес узла ENode.
<b>Sessions</b>	Общее количество сессий, исходящих из узлов ENode к FCF в сети VLAN.
<b>Waiting</b>	Общее количество подключений, ожидающих принятия FCF в VLAN.
<b>Session Information</b>	
<b>FCoE-MAC</b>	MAC-адрес источника пакетов FCoE, выданных узлом ENode в рамках сессии.
<b>Request (FP, SP)</b>	Тип запроса FIP-сессии, отправленный из ENode. Может быть FLOGI или FDESC (NPIV FDISC). Значения FP и SP являются значениями FP-бит и SP-бит в запросах FLOGI или NPIV FDISC соответственно.
<b>Expiry Time</b>	Интервал истечения виртуального подключения/сессии. Используется для отслеживания состояния сессии. Когда значение достигает 0, запись сессии удаляется. Значение устанавливается как 450 секунд (5*90 сек) каждый раз, когда от узла ENode поступает связанный VN_Port FKA. Игнорируется (помечается как NA), если D-бит настроен как

	единица в анонсе обнаружения FCF.
<b>Mode</b>	Режим адресации, используемый VN_Port на ENode. Другими словами, это тип MAC-адреса, предоставленного (выбранного и возвращенного) FCF. Может быть одним из режимов адресации, т. е. FPMA или SPMA.
<b>State</b>	Состояние виртуальной сессии. Отображается как <b>Tentative</b> во время процесса входа ENode в FCF (используя FLOGI или FDESC). Отображает как <b>Active</b> после того, как ENode и FCF успешно установили виртуальное соединение.
<b>Session-Time</b>	Время с момента установки успешной виртуальной сессии узлом ENode и FCF. Значение отображается в формате <b>xd, yh, zm</b> , где <b>x</b> представляет дни, <b>y</b> — часы и <b>z</b> — минуты, прошедшие с этой успешной сессии. Для ожидающих сессий поле не предоставляет никакой полезной информации.

### **show fip-snooping statistics**

Используйте команду *show fip-snooping statistics* в пользовательском или привилегированном режиме, чтобы отобразить статистику отслеженных FIP-пакетов в VLAN или на интерфейсе. Если необязательный аргумент (VLAN или интерфейс) не задан, команда отображает статистику для всех VLAN, где включена функция FIP Snooping.



**Данная команда может использоваться только после включения FIP Snooping с помощью команды *feature fip-snooping*. В противном случае она не отобразится в дереве синтаксиса CLI.**

**Формат:** `show fip-snooping statistics [vlan vlan-id] | [interface interface-id]`

**Режим ввода команд:** пользовательский  
привилегированный

<i>Параметр</i>	<i>Описание</i>
<b>vlan-id</b>	VLAN, в которой включена функция FIP Snooping.
<b>interface-id</b>	Интерфейс VLAN, где включена функция FIP Snooping.

В следующей таблице описаны счетчики пакетов на одну FIP-операцию.

<i>Счетчик пакетов</i>	<i>Описание</i>
<b>VR</b>	Количество сообщений-запросов VLAN, полученных сетью VLAN.
<b>VN</b>	Количество сообщений-уведомлений VLAN, полученных VLAN.
<b>MDS</b>	Количество сообщений Multicast Discovery Solicitation, обнаруженных в VLAN.
<b>UDS</b>	Количество сообщений Unicast Discovery Solicitation, обнаруженных в VLAN.
<b>FLOGI</b>	Количество событий Fabric Login, обнаруженных в VLAN.
<b>FDISC</b>	Количество событий Fabric Discovery, обнаруженных в VLAN.
<b>LOGO</b>	Количество событий Fabric Logout, обнаруженных в



	VLAN.
VNPort-keep-alive	Количество сообщений VN_Port Keepalive, обнаруженных в VLAN.
MDA	Количество сообщений Multicast Advertisement, обнаруженных в VLAN.
UDA	Количество сообщений Unicast Advertisement, обнаруженных в VLAN.
FLOGI_ACC	Количество событий Fabric Login, принятых VLAN.
FLOGI_RJT	Количество событий Fabric Login, отклоненных VLAN.
FDISC_ACC	Количество событий Fabric Discovery, принятых VLAN.
FDISC_RJT	Количество событий Fabric Discovery, отклоненных VLAN.
LOGO_ACC	Количество событий Fabric Logout, принятых VLAN.
LOGO_RJT	Количество событий Fabric Logout, отклоненных VLAN.
CVL	Количество действий Clear Virtual Link на VLAN.

В следующей таблице описан второй интерфейс или счетчики, связанные с сессией.

<i>Счетчик пакетов</i>	<i>Описание</i>
<b>Number of Virtual Session Timeouts</b>	Количество виртуальных сессий, удаленных в связи с истечением таймера сессии.
<b>Number of FCF Session Timeouts</b>	Количество активных сессий с истекшим сроком жизни вследствие истечение срока жизни анонсов обнаружения FCF в сети VLAN
<b>Number of Session configuration failures</b>	Количество сессий в сети VLAN, которые не удалось настроить в аппаратном обеспечении.
<b>Number of Sessions denied with FCF limit</b>	Количество сессий, отклоненных для создания новых FCF, как только количество FCF достигло максимально допустимого в сети VLAN.
<b>Number of Sessions denied with ENode limit</b>	Количество запросов на создание сессий, отклоненных для нового ENode, т. к. количество узлов ENode достигло максимально допустимого в системе.
<b>Number of Sessions denied with System limit</b>	Количество сессий, которые не удалось создать, т. к. количество сессий достигло максимально допустимого в системе.

Когда в качестве аргумента указывается интерфейс, отображаются только применимые к нему статистические данные.

### ***show fip-snooping vlan***

Используйте команду *show fip-snooping vlan* в пользовательском или привилегированном режиме, чтобы отобразить информацию по FCoE VLAN и статус FIP Snooping, если указан дополнительный аргумент.



**Данная команда может использоваться только после включения FIP Snooping с помощью команды *feature fip-snooping*. В противном случае она не отобразится в дереве синтаксиса CLI.**

**Формат:** `show fip-snooping vlan [vlan-id]`

Режим ввода команд: пользовательский  
привилегированный

Счетчик пакетов	Описание
vlan-id	VLAN, на которой включена функция FIP Snooping.
VLAN	Сеть VLAN, где включена/выполняется функция FIP Snooping.
FC-MAP	Отображаемый FCoE-префикс адреса FCoE переадресации для FCoE VLAN.
FCFs	Количество обнаруженных FCF.
ENodes	Количество обнаруженных узлов ENode.
Sessions	Общее количество сессий в FCoE VLAN.

### *clear fip-snooping statistics*

Используйте команду *clear fip-snooping statistics* в пользовательском или привилегированном режиме, чтобы очистить статистику FIP Snooping в поддерживаемой VLAN или на интерфейсе. Если дополнительный аргумент (VLAN или интерфейс) не задан, команда очищает статистику на всех VLAN, где включена функция FIP Snooping.



**Данная команда может использоваться только после включения FIP Snooping с помощью команды *feature fip-snooping*. В противном случае она не отобразится в дереве синтаксиса CLI.**

**Формат:** `clear fip-snooping statistics [vlan vlan-id] | [interface interface-id]`

Режим ввода команд: пользовательский  
привилегированный

Счетчик пакетов	Описание
vlan-id	VLAN, в которой включена функция FIP Snooping.
interface-id	Интерфейс VLAN, где включена функция FIP Snooping.

## 9.3 Команды настройки протокола OpenFlow

Функционал OpenFlow позволяет управлять коммутатором с помощью централизованного OpenFlow-контроллера с использованием протокола OpenFlow.

### *openflow enable*

Эта команда включает функционал OpenFlow.

**Значение по умолчанию:** выключено

**Формат:** `openflow enable`

**Режим ввода команд:** глобальная конфигурация

### *no openflow enable*

Эта команда выключает функционал OpenFlow. Функционал OpenFlow может быть выключена в любое время.

**Формат:** `no openflow enable`

**Режим ввода команд:** глобальная конфигурация

### *openflow static-ip*

Данная команда назначает IP-адрес для использования в функционале OpenFlow. Статический IP-адрес применяется, только если включен режим статического IP. Коммутатор должен иметь действующий IP-интерфейс с указанным адресом, чтобы статический IP-адрес мог быть использован в OpenFlow. Если система не имеет интерфейса с соответствующим IP-адресом, функционал OpenFlow оперативно выключается.

Если OpenFlow во время ввода этой команды включен, а указанный IP-адрес не совпадает с IP, используемым в OpenFlow, функционал автоматически выключается и включается повторно.

**Значение по умолчанию:** `0.0.0.0`

**Формат:** `openflow static-ip IPv4 Address`

**Режим ввода команд:** глобальная конфигурация

### *no openflow static-ip*

Эта команда устанавливает статический IP-адрес OpenFlow в значение 0.0.0.0. Ввод этой команды в режиме, когда OpenFlow включена и использует статический IP-адрес, оперативно выключает функционал OpenFlow.

**Формат:** `no openflow static-ip`

**Режим ввода команд:** глобальная конфигурация

### *openflow controller*

Укажите до 20 IP-адресов OpenFlow-контроллера, с которыми коммутатор должен установить соединение. Каждое выполнение команды определяет один IP-адрес и режим соединения (TCP или SSL). Если TCP-порт не указан, по умолчанию используется порт 6633. Режим соединения по умолчанию — SSL. Таблица контроллера, настраиваемая этой командой, используется коммутатором в режимах OpenFlow 1.0/1.3.

**Формат:** `openflow controller ip-address [ip-port] [connection mode]`

**Режим ввода команд:** глобальная конфигурация

<i>Счетчик пакетов</i>	<i>Описание</i>
<b>ip-address</b>	Укажите до двадцати IP-адресов OpenFlow-контроллера, с которыми коммутатор должен установить соединение.
<b>ip-port</b>	TCP-порт, используемый для подключения OpenFlow-контроллера. Если TCP-порт не указан, по умолчанию используется IP-порт 6633.
<b>connection mode</b>	TCP или SSL. Значение по умолчанию: SSL.

### *no openflow controller*

Удаление указанного IP-адреса контроллера OpenFlow или удаление всех адресов контроллера. Если номер TCP-порта не указан, все записи для указанного IP-адреса будут удалены.

**Формат:** `no openflow controller {ip-address [ip-port] | all}`

**Режим ввода команд:** глобальная конфигурация

### *openflow default-table*

Настройка аппаратной таблицы, используемой в качестве целевого объекта для потоков, установленных с помощью контроллера OpenFlow 1.0, который не способен обрабатывать несколько аппаратных таблиц. Параметр применим только в случае использования функционала OpenFlow версии OpenFlow 1.0.

**Значение по умолчанию:** `full-match`

**Формат:** `openflow default-table parameter`

**Режим ввода команд:** глобальная конфигурация

<i>Счетчик пакетов</i>	<i>Описание</i>
Parameter	Возможные значения: <b>full-match</b> или <b>layer-2-match</b> .

### *openflow ip-mode*

Команда настраивает OpenFlow на использование указанных IP-адресов. Выполнение этой команды в режиме, когда функционал OpenFlow уже включен, приводит к тому, что OpenFlow выключается и включается повторно с новым IP-адресом.

**Значение по умолчанию:** выключено

**Формат:** `openflow ip-mode {auto|static|serviceport}`

**Режим ввода команд:** глобальная конфигурация

### *no openflow ip-mode*

Эта команда настраивает OpenFlow на автоматическое назначение IP-адресов.

**Формат:** `no openflow ip-mode`

**Режим ввода команд:** глобальная конфигурация

### *openflow passive-mode*

Команда включает пассивный режим OpenFlow.

**Значение по умолчанию:** выключено

**Формат:** `openflow passive-mode`

**Режим ввода команд:** глобальная конфигурация

### *no openflow passive-mode*

Эта команда выключает пассивный режим OpenFlow.

**Формат:** `no openflow ip-mode`

**Режим ввода команд:** глобальная конфигурация

### ***openflow variant***

Эта команда настраивает OpenFlow на указанную версию. Можно настроить OpenFlow на использование одной из двух версий: **OpenFlow1.0** или **OpenFlow1.3**. По умолчанию OpenFlow настроена как **OpenFlow1.3**.

**Значение по умолчанию:** OpenFlow1.3

**Формат:** openflow variant *openflow10|openflow13*

**Режим ввода команд:** глобальная конфигурация

### ***clear openflow ca-cert***

Эта команда удаляет сертификаты Центра сертификации, используемые для проверки достоверности OpenFlow-контроллеров коммутатора. Выполнение этой команды автоматически выключает и повторно включает функционал OpenFlow. Новые SSL-сертификаты перезагружаются с контроллера OpenFlow при первом подключении к нему или могут быть вручную загружены с помощью команды *copy*.

**Формат:** clear openflow ca-cert

**Режим ввода команд:** привилегированный

### ***show openflow***

Данная команда отображает статус OpenFlow и информацию о настройках.

**Формат:** show openflow

**Режим ввода команд:** привилегированный

<i>Счетчик пакетов</i>	<i>Описание</i>
<b>Administrative Mode</b>	Административный режим OpenFlow
<b>Administrative Status</b>	Статус OpenFlow. Функция может быть включена административно, но при этом оперативно выключена по различным причинам.
<b>Disable Reason</b>	Если OpenFlow выключена, этот статус показывает причину выключения.
<b>IP Address</b>	IPv4-адрес, назначенный OpenFlow. Если IP-адрес не указан, указывается статус <b>None</b> .
<b>IP Mode</b>	Режим IP. Возможные значения: <b>Auto</b> , <b>Static</b> или <b>ServicePort IP</b> .
<b>Static IP Address</b>	Статический IP-адрес
<b>OpenFlow Variant</b>	Версия протокола OpenFlow. Возможные значения: <b>OpenFlow 1.0</b> или <b>OpenFlow 1.3</b> .
<b>Default Table</b>	Аппаратная таблица, используемая в качестве целевого объекта для потоков, установленных контроллером OpenFlow 1.0, который не способен обрабатывать несколько аппаратных таблиц.
<b>Passive Mode</b>	Пассивный режим OpenFlow

### *show openflow configured controller*

Эта команда отображает список настроенных OpenFlow-контроллеров. Коммутатор взаимодействует с этими контроллерами только при OpenFlow версии 1.0 или 1.3.

**Формат:** `show openflow configured controller`

**Режим ввода команд:** привилегированный

<i>Счетчик пакетов</i>	<i>Описание</i>
IP Address	IPv4-адрес контролера.
IP Port	Номер TCP-порта для подключения контролера.
Connection Mode	Режим подключения контролера SSL или TCP.
Role	Режим контроллера: Master, Equal, Slave

### *show openflow installed flows*

Эта команда выводит список установленных потоков на коммутаторе.

**Формат:** `show openflow installed flows [dest_ip ip-address | dest_ip_port 1-65535 | dest_mac macaddr | dscp 0-63 | ether_type 0-0xFFFF | ingress_port slot/port | ip_proto 0-255 | priority 1-65535 | source_ip ip-address | source_ip_port 1-65535 | source_mac macaddr | table 4,24,25 | vlan 1-4093 | vlan_prio 0-7]`

**Режим ввода команд:** привилегированный

<i>Фильтры потоков</i>	
<i>Параметр</i>	<i>Описание</i>
dest_ip	Целевой IP-адрес.
dest_ip_port	Номер целевого порта.
dest_mac	Целевой MAC-адрес.
dscp	Значение DSCP.
ether_type	Значение ethertype.
Ingress_port	Входящий слот и порт.
ip_proto	IP-протокол.
priority	Приоритет потока.
source_ip	IP-адрес источника.
source_ip_port	Номер порта источника.
source_mac	MAC-адрес источника.
table	Номер таблицы.
vlan	Сеть VLAN.
vlan_prio	Приоритет VLAN.
<i>Информация об установленных потоках</i>	
Flow Type	Тип потока (например, 1.0 или Layer 2 Match).
Flow Table	Аппаратная таблица, в которой установлен поток.
Flow Priority	Приоритет потока по сравнению с другими потоками.
Match Criteria	Критерии совпадения, указанные потоком.

<b>Ingress Port</b>	Порт, на котором активен поток.
<b>Action</b>	Действие, указанное потоком.
<b>Idle</b>	Время с момента активации потока.
<b>Installed in hardware</b>	Может ли поток быть добавлен к аппаратным средствам. 0 отображается, если поток не может быть добавлен. 1 отображается, если поток был добавлен.

### ***show openflow installed groups***

Используйте эту команду, чтобы отобразить список настроенных групп на коммутаторе.

**Формат:** `show openflow installed groups`

**Режим ввода команд:** привилегированный

<i>Счетчик пакетов</i>	<i>Описание</i>
<b>Group Type</b>	Тип группы (Indirect, All, Select и т. д.)
<b>Group Id</b>	Уникальный идентификатор группы
<b>Reference Count</b>	Счетчик ссылок группы, используется только для косвенных групп. Этот счетчик показывает, сколько групп ссылается на текущую косвенную группу
<b>Duration</b>	Время с момента создания группы
<b>Bucket Count</b>	Количество выделенных участков памяти (корзин) группы
<b>Reference Group Id</b>	Ссылается на идентификатор косвенной группы и используется только для выбранной группы

### ***show openflow table-status***

Эта команда отображает поддерживаемые OpenFlow таблицы и показывает информацию об их использовании.

**Формат:** `show openflow table-status {openflow10|openflow13}`

**Режим ввода команд:** привилегированный

<i>Счетчик пакетов</i>	<i>Описание</i>
<b>Flow Table</b>	Идентификатор таблицы OpenFlow. Диапазон — от 0 до 255.
<b>Flow Table Name</b>	Имя данной таблицы.
<b>Flow Table Description</b>	Подробное описание данной таблицы.
<b>Maximum Size</b>	Максимальный размер для этой таблицы потоков, заданный платформой.
<b>Number of Entries</b>	Общее количество записей в данной таблице. Счетчик включает в себя записи, ожидающие удаления.
<b>Hardware Entries</b>	Количество записей, введенных в аппаратное обеспечение на данный момент.
<b>Software-Only Entries</b>	Количество записей, по какой-либо причине не установленных в аппаратном оборудовании. Включает в себя записи, ожидающие ввода, записи, которые не могут быть введены из-за отсутствия интерфейсов, и записи, которые не могут быть

	введены из-за заполненной таблицы.
<b>Waiting for Space Entries</b>	Количество записей, не установленных в аппаратном оборудовании по причине неудачной попытки ввода.
<b>Flow Insertion Count</b>	Общее количество потоков, которые были добавлены в данную таблицу с момента включения коммутатора.
<b>Flow Deletion Count</b>	Общее количество потоков, которые были удалены из данной таблицы с момента включения коммутатора.
<b>Insertion Failure Count</b>	Общее количество попыток аппаратного ввода, которые были отклонены по причине заполненной таблицы с момента включения коммутатора.

## 9.4 Команды настройки управления потоком на основании приоритета

Обычно если управление потоком включено для физического соединения, оно применяется ко всему трафику данного соединения. При возникновении перегрузок на аппаратном уровне выполняется отправка кадров Pause Frame, которые временно приостанавливают поток трафика. Приостановка трафика помогает предотвратить переполнение буфера и сброс кадров.

Управление потоком на основании приоритета (PFC) дает возможность указать, какой трафик приостанавливается на физическом соединении, если происходит перегрузка. Интерфейс может быть настроен на приостановку только трафика с высоким приоритетом (т. е. чувствительного к потере данных), когда необходимо предотвратить сброс кадров, позволяя при этом поступать на интерфейс трафику, который более устойчив к потере данных.

Приоритеты различаются по полю приоритета в заголовке IEEE 802.1Q VLAN, который идентифицирует значение приоритета IEEE 802.1p. Эти значения приоритетов должны быть привязаны к внутренним значениям класса сервиса (CoS).

Для активации управления потоком на основании приоритета для определенного значения CoS на интерфейсе:

1. убедитесь в том, что на интерфейсе включено тегирование трафика, чтобы значения приоритета 802.1p были доставлены по сети;
2. убедитесь в том, что значения приоритета 802.1p привязаны к значениям CoS(см. "classofservice dot1p-mapping").

Когда PFC выключен, интерфейс по умолчанию устанавливается на управление потоком для интерфейса IEEE 802.3x. Когда PFC включен, интерфейс не будет приостанавливать CoS, пока не будет определен хотя бы один приоритет no-drop.

### ***priority-flow-control mode***

Используйте команду *priority-flow-control mode* в режиме настройки мостового соединения Datacenter, чтобы включить функцию PFC на данном интерфейсе.

Чтобы FIP Snooping работала на данном интерфейсе, необходимо оперативно включить Priority Flow Control (PFC). Используйте *no*-форму команды, чтобы вернуться в режим по умолчанию (выкл.). Тегирование трафика (магистральный или обычный режим) должно быть включено на интерфейсе, чтобы передавать по сети значение dot1p. Кроме того, dot1mapping к классу обслуживания должен быть установлен как один к одному.



Когда на интерфейсе включен PFC, обычный механизм регулирования PAUSE оперативно выключен.

**Значение по умолчанию:** Режим PFC выключен по умолчанию.

**Формат:** `priority-flow-control mode { on | off }`

**Режим ввода команд:** настройка мостового соединения Datacenter

Параметр	Описание
<code>on</code>	Включает PFC на интерфейсе.
<code>off</code>	Выключает PFC на интерфейсе.

### *no priority-flow-control mode*

Используйте команду `no priority-flow-control mode`, чтобы вернуться в режим PFC по умолчанию (выкл.).

**Формат:** `no priority-flow-control mode`

**Режим ввода команд:** настройка мостового соединения Datacenter

### *priority-flow-control priority*

Используйте команду `priority-flow-control priority` в режиме настройки мостового соединения Datacenter для настройки приоритетной группы на передачу без потерь (no-drop) или с потерями (drop) на выбранном интерфейсе. На интерфейсе может быть включено до двух приоритетов без потерь. Администратору необходимо настроить аналогичные приоритеты no-drop по всей сети, чтобы обеспечить непрерывную передачу определенного трафика без потерь.

Если PFC на данном интерфейсе не включен, команда не будет выполнена. Для передачи значения dot1p по сети на интерфейсе должно быть включено тегирование трафика. Кроме того, dot1p mapping к классу обслуживания должен быть установлен как один к одному.

**Значение по умолчанию:** Для всех приоритетов — drop.

**Формат:** `priority-flow-control priority priority-list {drop | no-drop}`

**Режим ввода команд:** настройка мостового соединения Datacenter

Параметр	Описание
<code>drop</code>	Включение функционирования без потерь для выбранных приоритетов.
<code>no-drop</code>	Выключение функционирования без потерь для выбранных приоритетов.

### *no priority-flow-control priority*

Используйте команду `no priority-flow-control priority` в режиме настройки мостового соединения Datacenter для включения функционирования с потерями для всех приоритетов интерфейса. Команда не оказывает влияния на интерфейсы с выключенным PFC или без настроенных приоритетов без потерь.

**Формат:** `no priority-flow-control priority`

**Режим ввода команд:** настройка мостового соединения Datacenter

### **clear priority-flow-control statistics**

Команда `clear priority-flow-control statistics` очищает всю глобальную статистику и статистику интерфейсов PFC.

**Формат:** `clear priority-flow-control statistics`

**Режим ввода команд:** привилегированный

### **show interface priority-flow-control**

Используйте команду `show interface priority-flow-control` в привилегированном режиме, чтобы отобразить информацию PFC для одного или всех интерфейсов.

**Формат:** `show interface [unit/slot/port] priority-flow-control`

**Режим ввода команд:** привилегированный

<i>Параметр</i>	<i>Описание</i>
<code>unit/slot/port</code>	Действительный Ethernet-порт.

Если номер интерфейса отсутствует, для всех интерфейсов отображается следующая информация.

<i>Параметр</i>	<i>Описание</i>
<b>Interface Detail</b>	Порт, для которого отображается информация.
<b>PFC Operational Status</b>	Оперативный статус интерфейса.
<b>PFC Configured State</b>	Административный режим PFC на интерфейсе.
<b>Configured Drop Priorities</b>	Значения 802.1p, которые настроены на приоритет с потерями на интерфейсе. Приоритеты с потерями не участвуют в Pause.
<b>Configured No-Drop Priorities</b>	Значения 802.1p, которые настроены на приоритет без потерь. Если приоритет 802.1p, настроенный без потерь, перегружен, то поток с данным приоритетом приостанавливается.
<b>Operational Drop Priorities</b>	Значения 802.1p, которые использует коммутатор с приоритетом потерь. Оперативные приоритеты с потерями могут быть не такими же, как настроенные приоритеты, если интерфейс принял другие приоритеты от похожего устройства через LLDP DCBX.
<b>Configured No-Drop Priorities</b>	Значения 802.1p, которые использует коммутатор с приоритетом без потерь. Оперативные приоритеты без потерь могут быть не такими же, как настроенные приоритеты, если интерфейс принял другие приоритеты от похожего устройства через LLDP DCBX.
<b>Delay Allowance</b>	Оперативный статус интерфейса.
<b>Peer Configuration Compatible</b>	Показывает, принял ли локальный коммутатор совместимую конфигурацию от другого коммутатора через LLDP DCBX.
<b>Compatible Configuration Count</b>	Число полученных конфигураций, принятых и обработанных как действующие. Это число не включает в себя повторяющиеся конфигурации.
<b>Incompatible Configuration Count</b>	Число полученных конфигураций, которые не были приняты от похожего устройства, потому что были

	несовместимы.
<b>Priority</b>	Значение приоритета 802.1p.
<b>Received PFC Frames</b>	Число PFC-кадров, полученных интерфейсом с соответствующим приоритетом 802.1p.
<b>Transmitted PFC Frames</b>	Число PFC-кадров, отправленных интерфейсом с соответствующим приоритетом 802.1p.

## 9.5 Команды настройки QCN

Функция Quantized Congestion Notification (QCN) входит в состав пакета Data Center.

### *qcn enable*

Используйте команду *qcn enable* в режиме глобальной конфигурации, чтобы включить QCN на всех портах системы. Эта команда общего включения. Когда QCN включена, система распознает CN-тег в принятых кадрах, алгоритм перегрузок работает на настроенных точках Congestion Point (CP) и отправляет сообщения Congestion Notification Messages (CNM) при выявлении перегрузки на CP.

**Значение по умолчанию:** выключено  
**Формат:** qcn enable  
**Режим ввода команд:** глобальная конфигурация

### *no qcn enable*

Команда *no qcn enable* в режиме глобальной конфигурации выключает QCN на всех портах системы. Эта команда общего выключения. Когда QCN выключена, полученные кадры с CN-тегом рассматриваются как обычные кадры данных, CNM не генерируются.

**Формат:** no qcn enable  
**Режим ввода команд:** глобальная конфигурация

### *qcn cnm-transmit-priority*

Используйте команду *qcn cnm-transmit-priority* в режиме глобальной конфигурации, чтобы глобально настроить приоритет Dot1p для сообщений CNM, передающихся системой. Эта команда настраивает значение приоритета Dot1p, с которым передаются CNM. По умолчанию CNM передаются с нулевым приоритетом Dot1p.

**Значение по умолчанию:** 0  
**Формат:** qcn cnm-transmit-priority dot1p priority  
**Режим ввода команд:** глобальная конфигурация

<i>Параметр</i>	<i>Описание</i>
dot1p priority	Диапазон: 0–7.

### *no qcn cnm-transmit-priority*

Команда *no qcn cnm-transmit-priority* в режиме глобальной конфигурации устанавливает приоритет Dot1p для сообщений CNM, передающихся системой, в значение по умолчанию.

**Формат:** no qcn cnm-transmit-priority  
**Режим ввода команд:** глобальная конфигурация

### ***qcn snpv-priority (datacenter bridging config)***

Используйте команду *qcn snpv-priority* в режиме настройки мостового соединения Datacenter, чтобы глобально настроить CP (очередь портов), которые привязываются к определенным приоритетам Dot1p, когда перегрузка включена (**interior**), выключена (**disable**) или является периферийной точкой перегрузки (**edge**) для всех портов, у которых защитный режим настроен как component.

**Значение по умолчанию:** Все приоритеты для QCN выключены.

**Формат:** `qcn snpv-priority priority {interior | edge | disable}`

**Режим ввода команд:** настройка мостового соединения Datacenter

<b>Счетчик пакетов</b>	<b>Описание</b>
<b>snpv-priority</b>	Диапазон: 0–7.
<b>Interior (ICP)</b>	Используется, когда поток с указанным приоритетом Dot1p должен распознавать перегрузку. Этот параметр позволяет обнаруживать перегрузку выбранного приоритета.
<b>Edge congestion point (ECP)</b>	Используется, когда CP находится на периферии домена уведомления о перегрузке (CND).
<b>Disabled for QCN</b>	Используется, когда требуется, чтобы приоритет не распознавал перегрузку. Этот параметр выключает обнаружение перегрузок на приоритете.

### ***qcn snpv-priority alternate-priority***

Используйте команду *qcn snpv-priority alternate-priority* в режиме глобальной конфигурации, чтобы настроить альтернативный приоритет для выбранного snpv-приоритета. Когда получен кадр с приоритетом Dot1p, равной значению приоритета уведомления о перегрузке, значение приоритета кадра заменяется на альтернативный приоритет. Альтернативный приоритет применяется к входящим кадрам, только если приоритет dot1p входящего кадра равен CNPV приоритета CP и CP сконфигурирована как периферийная.

Используйте настройки альтернативного приоритета, чтобы отклонять трафик, поступающий из неосведомленных о CN источников. Трафик из источников, неосведомленных о перегрузке, обнаруживается при входе в домен CND так, чтобы ресурсы, назначенные очередям с поддержкой уведомлений перегрузки, не исчерпывались трафиком из неосведомленных о QCN источников. Так как кадры поступают из источников без QCN и не имеют CN-тега. Если кадры передаются в очереди с включенным информированием перегрузки, то они могут привести к перегрузке и, в свою очередь, вызывают генерацию CNM. Это бесполезно для источников, которые не осведомлены о QCN.

Такая конфигурация применяется ко всем портам, чей режим защиты конфигурирован как component.

**Формат:** `qcn snpv-priority snpv priority alternate-priority non-snpv priority`

**Режим ввода команд:** глобальная конфигурация

<b>Счетчик пакетов</b>	<b>Описание</b>
<b>snpv priority</b>	Диапазон: 1–7.
<b>non-snpv priority</b>	Диапазон альтернативных приоритетов: 0–7.

### *no qcn snpv-priority alternate-priority*

Команда *no qcn snpv-priority alternate-priority* в режиме глобальной конфигурации устанавливает альтернативный приоритет в значение по умолчанию.

**Формат:** `no qcn snpv-priority snpv priority alternate-priority`

**Режим ввода команд:** глобальная конфигурация

### *qcn snpv-priority sp-creation*

Используйте команду *qcn snpv-priority sp-creation* в режиме глобальной конфигурации, чтобы настроить охват по умолчанию для режима защиты порта приоритетом, когда CP только создается. По умолчанию областью действия режима защиты каждого порта может иметь значение **admin** или **component**.

**Значение по умолчанию:** создание CP включено

**Формат:** `qcn snpv-priority snpv-priority sp-creation {enable | disable}`

**Режим ввода команд:** глобальная конфигурация

<i>Счетчик пакетов</i>	<i>Описание</i>
<b>snpv-priority</b>	Диапазон: 1–7.
<b>admin scope</b>	По приоритету.
<b>component scope</b>	По приоритету уровня конфигурации.
<b>enable</b>	Если создание CP включено, режим защиты порта устанавливается как <b>component</b> .
<b>disable</b>	Если создание CP выключено, режим защиты порта устанавливается как <b>admin</b> .

### *qcn snpv-priority defense-mode-choice*

Используйте команду *qcn snpv-priority defense-mode-choice* в режиме конфигурирования интерфейса, чтобы установить режим защиты интерфейса как **admin** или **component**.

**Значение по умолчанию:** включено

**Формат:** `qcn snpv-priority snpv-priority defense-mode-choice {admin | component}`

**Режим ввода команд:** конфигурирование интерфейса

<i>Счетчик пакетов</i>	<i>Описание</i>
<b>snpv-priority</b>	Диапазон: 1–7.
<b>admin scope</b>	По приоритету.
<b>component scope</b>	По приоритету уровня конфигурации.

### *qcn snpv-priority*

Используйте команду *qcn snpv-priority* в режиме настройки интерфейса, чтобы привязать CP (очередь портов) к определенным приоритетам Dot1p.

Эта конфигурация применяется, если режим защиты настроен как **Admin**.

**Значение по умолчанию:** По умолчанию QCN выключен для любого приоритета.

**Формат:** `qcn snpv-priority priority {interior | edge | disable}`

Режим ввода команд: конфигурирование интерфейса

<i>Счетчик пакетов</i>	<i>Описание</i>
<code>snrv-priority</code>	Диапазон: 0–7.
<b>Возможные варианты для Congestion Point (CP):</b>	
<b>Interior (ICP)</b>	Используется, когда поток с указанным приоритетом Dot1p должен распознавать перегрузку.
<b>Edge congestion point (ECP)</b>	Используется, когда CP находится на периферии домена уведомления о перегрузке (CND).
<b>Disabled for QCN</b>	Используется, когда требуется, чтобы приоритет не распознавал перегрузку. Этот параметр выключает обнаружение перегрузок на приоритете.

### ***qcn snrv-priority alternate-priority***

Используйте команду *qcn snrv-priority alternate-priority* в режиме конфигурирования интерфейса, чтобы настроить альтернативный приоритет на интерфейсе для приоритета входящих ICP. Значение альтернативного приоритета перекрывает установленный в глобальном режиме альтернативный приоритет для данного входящего ICP на порте. Эта конфигурация применяется, если режим защиты настроен как **Admin**.

**Значение по умолчанию:** По умолчанию используется альтернативный приоритет, настроенный глобально.

**Формат:** `qcn alternate-priority incoming priority alternate-priority`

Режим ввода команд: конфигурирование интерфейса

<i>Параметр</i>	<i>Описание</i>
<code>snrv-priority</code>	Диапазон: 1–7.
<code>alternate-priority</code>	Диапазон: 0–7.

### ***no qcn snrv-priority alternate-priority***

Используйте команду *no qcn snrv-priority alternate-priority* в режиме конфигурирования интерфейса, чтобы установить альтернативный приоритет выбранного приоритета порта в значение по умолчанию. Используется, если настроено глобальное значение альтернативного приоритета.

**Значение по умолчанию:** По умолчанию используется альтернативный приоритет, настроенный глобально.

**Формат:** `no qcn alternate-priority incoming-priority alternate-priority`

Режим ввода команд: конфигурирование интерфейса

### ***qcn transmit-tlv enable***

Используйте команду *qcn transmit-tlv enable* в режиме конфигурирования интерфейса, чтобы включить передачу QCN TLV через LLDP.

**Значение по умолчанию:** Передача QCN TLV по умолчанию выключена.

**Формат:** `qcn transmit-tlv enable`

**Режим ввода команд:** конфигурирование интерфейса

### *no qcn transmit-tlv enable*

Используйте команду *no qcn transmit-tlv enable* в режиме конфигурирования интерфейса, чтобы выключить передачу QNC TLV. QNC TLV распространяются через LLDP.

**Формат:** `no qcn transmit-tlv enable`

**Режим ввода команд:** конфигурирование интерфейса

### *clear qcn statistics*

Команда *clear qcn statistics* в привилегированном режиме сбрасывает счетчики переданных CNM в точках CP. Если интерфейс и CP не указаны, эта команда очищает все счетчики CNM для всех CP в системе. Если указан только номер интерфейса, то все счетчики CNM на интерфейсе будут сброшены.

**Формат:** `clear qcn statistics [interface unit/slot/port] [cp cp-index]`

**Режим ввода команд:** привилегированный

<i>Параметр</i>	<i>Описание</i>
<b>unit/slot/port</b>	Если указан только номер интерфейса, то все счетчики CNM на интерфейсе будут сброшены.
<b>cp-index</b>	Если указан только номер CP, то все счетчики CNM для этого индекса будут сброшены.

### *show qcn priority*

Используйте команду *show qcn priority* в привилегированном режиме, чтобы отобразить конфигурацию QCN.

**Формат:** `show qcn priority [priority ] [interface unit/slot/port|all]`

**Режим ввода команд:** привилегированный

<i>Параметр</i>	<i>Описание</i>
<b>priority</b>	Если задан только параметр <code>priority</code> , отображается конфигурация по приоритету.
<b>all</b>	Если задан параметр <code>all</code> , отображается конфигурация для всех портов для данного приоритета.
<b>unit/slot/port</b>	Если указан номер интерфейса, команда отображает конфигурацию конкретного порта для данного приоритета.

Приведенные ниже данные отображаются в составе этой команды.

### *show qcn active priority*

Используйте команду *show qcn active priority* в привилегированном режиме, чтобы отобразить оперативную конфигурацию QCN для указанного приоритета Dot1p.

**Формат:** `show qcn active priority 0-7`

**Режим ввода команд:** привилегированный

---

### ***show qcn interface***

Команда *show qcn interface* в привилегированном режиме отображает информацию CP для выбранных портов.

**Формат** `show qcn interface unit/slot/port [cp cpindex]`

**Режим ввода команд:** привилегированный

### ***show qcn statistics***

Используйте команду *show qcn statistics* в привилегированном режиме, чтобы отобразить статистику CNM и кадры с данными для всех портов или указанных CP портов.

**Формат** `show qcn statistics {interface unit/slot/port cp cp index}`

**Режим ввода команд:** привилегированный



## 10 КОМАНДЫ НАСТРОЙКИ МАРШРУТИЗАЦИИ

Данный раздел описывает команды маршрутизации, которые доступны в интерфейсе командной строки. Раздел «Команды маршрутизации» содержит следующие подразделы.



Все команды, приведенные в этом разделе, делятся на три функциональные группы:

- Команды **show** выводят информацию о настройках коммутатора, статистику и прочую информацию.
- Команды конфигурации настраивают функции коммутатора. Каждой команде конфигурации соответствует команда **show**, выводящая на дисплей настройки.
- Команды очистки, которые возвращают отдельные параметры или все настройки к заводским.

### 10.1 Команды настройки протокола ARP

В этом разделе описаны команды, которые используются для настройки Address Resolution Protocol (ARP) и для просмотра ARP-информации на коммутаторе. Протокол ARP связывает IP-адреса с MAC-адресами и хранит информацию в виде ARP-записей в таблице ARP.

#### *arp*

Данная команда создает ARP-запись в указанном экземпляре виртуального маршрутизатора (*vrf vrf-name*). Если виртуальный маршрутизатор не указан, статическая запись ARP создается в маршрутизаторе по умолчанию. Значение параметра *ipaddress* — это IP-адрес устройства в подсети, подключенной к существующему интерфейсу маршрутизации. Параметр *macaddr* — это MAC-адрес для этого устройства. Параметр *interface* указывает интерфейс, на котором доступно данное устройство.

MAC-адрес указывается в формате шести двузначных чисел шестнадцатеричной системы, разделенных двоеточиями, например 00:06:29:32:81:40.

**Формат:** `arp [vrf vrf-name] ipaddress macaddr interface {unit/slot/port | vlan id}`

**Режим ввода команд:** глобальная конфигурация

#### *no arp*

Эта команда удаляет ARP-запись в указанном виртуальном маршрутизаторе. Значение параметра *ipaddress* — это IP-адрес устройства в подсети, подключенной к существующему интерфейсу маршрутизации. Параметр *macaddr* — это MAC-адрес для этого устройства. Параметр *interface* указывает интерфейс, на котором доступно данное устройство.

**Формат:** `no arp [vrf vrf-name] ipaddress macaddr interface unit/slot/port`

**Режим ввода команд:** глобальная конфигурация

### *ip proxy-arp*

Эта команда включает прокси-ARP на интерфейсе маршрутизатора или диапазоне интерфейсов. Без прокси-ARP устройство отвечает только на те ARP-запросы, целевой IP-адрес которых совпадает с адресом, настроенным на получившем запрос интерфейсе. С помощью прокси-ARP устройство может также ответить на запросы, касающиеся других доступных целевых IP-адресов. Устройство отвечает на запросы только в тех случаях, когда целевой IP-адрес места назначения доступен через интерфейсы, отличные от того, на который поступил ARP-запрос.

**Значение по умолчанию:** включено  
**Формат:** ip proxy-arp  
**Режим ввода команд:** конфигурирование интерфейса

#### *no ip proxy-arp*

Данная команда выключает прокси-ARP на интерфейсе маршрутизатора.

**Формат:** no ip proxy-arp  
**Режим ввода команд:** конфигурирование интерфейса

### *ip local-proxy-arp*

Эта команда разрешает интерфейсу отвечать на ARP-запросы, предназначенные для IP-адресов внутри данной подсети, и выполнять переадресацию трафика между узлами в подсети.

**Значение по умолчанию:** выключено  
**Формат:** ip local-proxy-arp  
**Режим ввода команд:** конфигурирование интерфейса

#### *no ip local-proxy-arp*

Используйте данную команду, чтобы вернуть локальный режим прокси-ARP на интерфейсе в значение по умолчанию.

**Формат:** no ip local-proxy-arp  
**Режим ввода команд:** конфигурирование интерфейса

### *arp cachesize*

Эта команда настраивает размер ARP-таблицы.

**Значение по умолчанию:** 6144  
**Формат:** arp cachesize *platform specific integer value*  
**Режим ввода команд:** глобальная конфигурация

#### *no arp cachesize*

Данная команда возвращает размер ARP-таблицы в значение по умолчанию.

**Формат:** no arp cachesize  
**Режим ввода команд:** глобальная конфигурация

## **arp dynamicrenew**

Команда позволяет системе автоматически обновлять динамические записи ARP при их устаревании. Когда запись ARP достигает предельного срока хранения, системе требуется принять решение, сохранить или удалить эту запись. Если запись за последнее время использовалась для передачи пакетов данных, система обновит ее, отправив ARP-запрос на соседний интерфейс. Если ответ на запрос будет получен, время хранения записи ARP в таблице обнуляется, удаление записи не происходит. Переадресация трафика к данному узлу на аппаратном уровне продолжится без перерывов. Если запись не используется для пересылки пакетов данных, при выключенной опции автоматического обновления она просто удаляется из ARP-таблицы, и при поступлении новых пакетов данных в адрес соответствующего узла потребуются новый ARP-запрос. Пока маршрутизатор не получит от узла ответ на ARP-запрос, трафик, поступающий в его адрес, может быть потерян. Записи шлюза, то есть записи для соседнего маршрутизатора, обновляются всегда. Динамическая опция обновления применима только для записей узлов.

Использование такой опции имеет один недостаток: однажды созданная запись продолжает оставаться в ARP-таблице и занимать место до тех пор, пока соседний узел отвечает на ARP-запросы, даже если переадресация трафика в его адрес не выполняется. В сети, где число потенциально соседних узлов превышает ресурсы ARP-таблицы, включение динамического обновления может привести к тому, что некоторые узлы не попадут в ARP-таблицу из-за ее переполнения, что затруднит взаимодействие с ними.

**Значение по умолчанию:** выключено  
**Формат:** arp dynamicrenew  
**Режим ввода команд:** привилегированный

## **no arp dynamicrenew**

Эта команда выключает автоматическое обновление динамических записей ARP, когда они устаревают.

**Формат:** no arp dynamicrenew  
**Режим ввода команд:** привилегированный

## **arp purge**

Данная команда удаляет определенные IP-адреса из ARP-таблицы на указанном виртуальном маршрутизаторе. Если маршрутизатор не указан, запись ARP удаляется с маршрутизатора по умолчанию. Команда работает только в отношении динамических записей или записей шлюза.

**Формат:** arp purge [vrf vrf-name] ipaddress interface {unit/slot/port | vlan id}  
**Режим ввода команд:** привилегированный

<i>Параметр</i>	<i>Описание</i>
<b>ipaddress</b>	IP-адрес для удаления из ARP-таблицы.
<b>vrf-name</b>	Виртуальный маршрутизатор, из таблицы которого будут удаляться IP-адреса..
<b>interface</b>	Интерфейс, из которого будут удаляться IP-адреса.

### ***arp resptime***

Эта команда настраивает время ожидания отклика на ARP-запрос.

Значение параметра *seconds* — положительное целое число, которое представляет собой время ожидания отклика IP-адреса на ARP-запрос в секундах. Диапазон значений для *seconds* составляет 1–10 секунд.

**Значение по умолчанию:** 1  
**Формат:** `arp resptime 1-10`  
**Режим ввода команд:** глобальная конфигурация

### ***no arp resptime***

Эта команда настраивает значение времени ожидания отклика на ARP-запрос по умолчанию.

**Формат:** `no arp resptime`  
**Режим ввода команд:** глобальная конфигурация

### ***arp retries***

Команда устанавливает максимальное количество повторных ARP-запросов.

Параметр *retries* — это целое число, которое представляет собой максимальное количество выполняемых повторных запросов. Диапазон значений для *retries* — 0–10 повторов.

**Значение по умолчанию:** 4  
**Формат:** `arp retries 0-10`  
**Режим ввода команд:** глобальная конфигурация

### ***no arp retries***

Используйте эту команду, чтобы вернуть максимальное количество повторных ARP-запросов в значение по умолчанию.

**Формат:** `no arp retries`  
**Режим ввода команд:** глобальная конфигурация

### ***arp timeout***

Эта команда настраивает время жизни записи ARP.

Значение параметра *seconds* — положительное целое число, которое представляет собой время устаревания записи ARP для IP-адреса в секундах. Диапазон значений для *seconds* составляет 15–21 600 секунд.

**Значение по умолчанию:** 1200  
**Формат:** `arp timeout 15-21600`  
**Режим ввода команд:** глобальная конфигурация

### ***no arp timeout***

Данная команда устанавливает время жизни ARP-записи в значение по умолчанию.

**Формат:** no arp timeout  
**Режим ввода команд:** глобальная конфигурация

### **clear arp-cache**

Эта команда удаляет все динамические записи ARP из ARP-таблицы виртуального маршрутизатора. Если маршрутизатор не указан, очищается ARP-таблица маршрутизатора по умолчанию. Если указано ключевое слово gateway, удалению подлежат и записи шлюза.

**Формат:** clear arp-cache [vrf vrf-name] [gateway]  
**Режим ввода команд:** привилегированный

### **clear arp-switch**

Используйте эту команду, чтобы очистить содержимое ARP-таблицы коммутатора, которая содержит записи, полученные через порт управления. Чтобы оценить, насколько успешно выполнена команда, используйте команду *ping* от удаленной системы в адрес DUT. Чтобы просмотреть записи ARP, используйте команду *show arp switch*. После этого выполните команду *clear arp-switch* и еще раз проверьте записи с помощью *show arp switch*. ARP-записей больше не будет.

**Формат:** clear arp-switch  
**Режим ввода команд:** привилегированный

### **show arp**

Эта команда отображает содержимое ARP-таблицы для указанного экземпляра виртуального маршрутизатора. Если маршрутизатор не указан, отображается ARP-таблица маршрутизатора по умолчанию. Отображаемые записи не являются исчерпывающим перечнем записей ARP. Чтобы увидеть все записи ARP, требуется посмотреть объединенные результаты вывода команд *show arp* и *show arp switch*.

**Формат:** show arp [vrf vrf-name]  
**Режим ввода команд:** привилегированный

<i>Термин</i>	<i>Значение</i>
<b>Age Time (секунды)</b>	Время жизни ARP-записи. Значение можно настраивать. Измеряется в секундах.
<b>Response Time (секунды)</b>	Время жизни ARP-запроса. Значение можно настраивать. Измеряется в секундах.
<b>Retries</b>	Максимальное количество повторных ARP-запросов.
<b>Cache Size</b>	Максимальное количество записей в ARP-таблице.
<b>Dynamic Renew Mode</b>	Показывает, пытается ли система автоматически обновлять динамические ARP-записи по мере устаревания.
<b>Total Entry Count Current / Peak</b>	Общее количество записей в ARP-таблице и максимальное количество записей в ARP-таблице.
<b>Static Entry Count Current / Max</b>	Количество статических записей в ARP-таблице и максимальное количество статических записей в ARP-таблице.

Для каждой ARP-записи отображается следующая информация.

<i>Термин</i>	<i>Значение</i>
IP Address	IP-адрес устройства в подсети, подключенного к существующему интерфейсу маршрутизации.
MAC Address	Аппаратный MAC-адрес этого устройства.
Interface	Интерфейс маршрутизации, связанный с ARP-записью устройства, в формате <i>unit/slot/port</i> .
Type	Настраиваемый тип записи. Возможные значения: Local, Gateway, Dynamic и Static.
Age	Время существования записи ARP с момента последнего обновления (в формате чч:мм:сс).

### ***show arp brief***

Команда отображает краткую информацию ARP-таблицы для указанного экземпляра виртуального маршрутизатора. Если маршрутизатор не указан, отображается ARP-таблица маршрутизатора по умолчанию.

**Формат:** `show arp brief [vrf vrf-name]`

**Режим ввода команд:** привилегированный

<i>Термин</i>	<i>Значение</i>
Age Time (секунды)	Время жизни ARP-записи. Значение можно настраивать. Измеряется в секундах.
Response Time (секунды)	Время жизни ARP-запроса. Значение можно настраивать. Измеряется в секундах.
Retries	Максимальное количество повторных ARP-запросов.
Cache Size	Максимальное количество записей в ARP-таблице.
Dynamic Renew Mode	Показывает, пытается ли система автоматически обновлять динамические ARP-записи по мере устаревания.
Total Entry Count Current / Peak	Общее количество записей в ARP-таблице и максимальное количество записей в ARP-таблице.
Static Entry Count Current / Max	Количество статических записей в ARP-таблице и максимальное количество статических записей в ARP-таблице.

### ***show arp switch***

Эта команда отображает содержимое ARP-таблицы коммутатора.

**Формат:** `show arp switch`

**Режим ввода команд:** привилегированный

<i>Термин</i>	<i>Значение</i>
IP Address	IP-адрес устройства в подсети, подключенного к коммутатору.
MAC Address	Аппаратный MAC-адрес этого устройства.
Interface	Интерфейс маршрутизации, связанный с ARP-записью устройства, в формате <i>unit/slot/port</i> .

## 10.2 Команды настройки IP-маршрутизации

В этой части описаны команды, которые используются для включения и настройки на коммутаторе IP-маршрутизации.

### *routing*

Данная команда включает IPv4- и IPv6-маршрутизацию на интерфейсе или диапазоне интерфейсов. Текущее значение этой функции можно посмотреть с помощью команды `show ip brief`. Значение будет показано как параметр `Routing Mode`.

**Значение по умолчанию:** выключено  
**Формат:** `routing`  
**Режим ввода команд:** конфигурирование интерфейса

### *no routing*

Эта команда выключает маршрутизацию на интерфейсе.

Текущее значение этой функции можно посмотреть с помощью команды `show ip brief`. Значение будет показано как параметр `Routing Mode`.

**Формат:** `no routing`  
**Режим ввода команд:** конфигурирование интерфейса

### *ip routing*

Эта команда включает режим IP-маршрутизатора на коммутаторе.

**Формат:** `ip routing`  
**Режим ввода команд:** глобальная конфигурация  
 конфигурирование виртуального маршрутизатора

### *no ip routing*

Команда выключает режим IP-маршрутизатора на коммутаторе.

**Формат:** `no ip routing`  
**Режим ввода команд:** глобальная конфигурация

### *ip address*

Данная команда настраивает IP-адрес на интерфейсе или диапазоне интерфейсов. Эту команду также можно использовать для настройки одного или нескольких вторичных IP-адресов на интерфейсе. Команда поддерживает стандарт RFC 3021 и принимает 31-разрядные префиксы для PtP IPv4-соединений.



**31-разрядная маска подсети поддерживается только интерфейсами маршрутизации. Эта функция не поддерживается на интерфейсах сетевых портов и сервисных портов, поскольку на таких интерфейсах управления коммутатор выступает в качестве узла, а не маршрутизатора. 32-разрядная маска подсети поддерживается только на loopback-интерфейсах.**

**Формат:** `ip address ipaddr {subnetmask | /maskLen} [secondary]`

Режим ввода команд: конфигурирование интерфейса

<i>Термин</i>	<i>Значение</i>
<b>ipaddr</b>	IP-адрес интерфейса.
<b>subnetmask</b>	4-значное число в десятичной форме, обозначающее маску подсети интерфейса.
<b>masklen</b>	Реализует стандарт RFC 3021. При использовании в маске подсети выражения с разделителем «/» это целое число, которое указывает длину маски подсети. Диапазон составляет от 5 до 32 бит

### *no ip address*

Данная команда удаляет IP-адрес интерфейса. Значение *ipaddr* — это IP-адрес интерфейса в формате a.b.c.d, где диапазон значений a, b, c и d составляет 1–255. Значение *subnetmask* — это 4-значное число в десятичной форме, обозначающее маску подсети интерфейса. Чтобы удалить все IP-адреса (первичные и вторичные), настроенные на интерфейсе, введите команду *no ip address*.

**Формат:** `no ip address [{ipaddr subnetmask [secondary]}]`

**Режим ввода команд:** конфигурирование интерфейса

### *ip address dhcp*

Данная команда включает DHCPv4-клиент на стандартном (in-band) интерфейсе, позволяя ему получать информацию о сети от DHCP-сервера сети (например, IP-адрес, маску подсети и шлюз по умолчанию). Когда на интерфейсе включен DHCP-клиент, система автоматически удаляет все IPv4-адреса, настроенные на интерфейсе вручную.

Чтобы включить DHCPv4-клиент на стандартном интерфейсе и отправлять сообщения DHCP-клиента с опцией идентификатора, используйте команду *ip address dhcp client-id* в режиме конфигурирования интерфейса.

**Значение по умолчанию:** выключено

**Формат:** `ip address dhcp [client-id]`

**Режим ввода команд:** конфигурирование интерфейса

### *no ip address dhcp*

Команда *no ip address dhcp* освобождает занятый адрес и выключает DHCPv4-клиент на интерфейсе. Используйте по-форму команды *ip address dhcp client-id*, чтобы удалить опцию *client-id* и выключить DHCP-клиент на стандартном интерфейсе.

**Формат:** `no ip address dhcp [client-id]`

**Режим ввода команд:** конфигурирование интерфейса

### *ip default-gateway*

Эта команда позволяет вручную настроить шлюз по умолчанию для коммутатора. Настроить можно только один шлюз по умолчанию. При использовании данной команды несколько раз каждая новая команда будет заменять ранее указанные значения.

Когда системе не задан более конкретный маршрут к точке назначения пакета, она направляет пакет на шлюз по умолчанию. Система устанавливает маршрут IPv4 по умолчанию, где



адрес этого шлюза указан в качестве соседнего адреса. Приоритетный маршрут — 253. Шлюз по умолчанию, настроенный с помощью данной команды, имеет приоритет над шлюзом по умолчанию, полученным от DHCP-сервера.

**Формат:** `ip default-gateway ipaddr`

**Режим ввода команд:** глобальная конфигурация  
конфигурирование виртуального маршрутизатора

Параметр	Описание
<code>ipaddr</code>	IPv4-адрес подключенного маршрутизатора.

### *no ip default-gateway*

Эта команда удаляет из конфигурации адрес шлюза по умолчанию.

**Формат:** `no ip default-gateway ipaddr`

**Режим ввода команд:** конфигурирование интерфейса

### *ip load-sharing*

Эта команда настраивает режим балансировки нагрузки IP ECMP.

**Значение по умолчанию:** 6

**Формат:** `ip load-sharing mode {inner | outer}`

**Режим ввода команд:** глобальная конфигурация

Параметр	Описание
<code>mode</code>	<p>Настраивает балансировку нагрузки или режим совместного доступа для всех групп ECMP.</p> <ul style="list-style-type: none"> <li><code>src-ip</code>: на основе хэша, используя исходный IP-адрес пакета.</li> <li><code>dst-ip</code>: на основе хэша, используя целевой IP-адрес пакета.</li> <li><code>src-dst-ip</code>: на основе хэша с использованием исходного и целевого IP-адресов пакета.</li> <li><code>src-ip-port</code>: на основе хэша, используя исходный IP-адрес и поле Source TCP/UDP Port пакета.</li> <li><code>dst-ip-port</code>: на основе хэша с использованием целевого IP-адреса и поля Destination TCP/UDP Port пакета.</li> <li><code>src-dst-ip-port</code>: на основе хэша с использованием исходного и целевого IP-адресов, а также полей Source/Destination TCP/UDP Port пакета.</li> </ul>
<code>inner</code>	Включает использование внутреннего IP-заголовка для туннелирования пакетов.
<code>outer</code>	Включает использование внешнего IP-заголовка для туннелирования пакетов.

### *no ip load-sharing*

**Формат:** `no ip load-sharing`

Режим ввода команд: глобальная конфигурация

### *ip route*

Эта команда настраивает статический маршрут в указанном экземпляре виртуального маршрутизатора (*vrf vrf-name*). Параметр *ipaddr* — это действительный IP-адрес; *subnetmask* — действительная маска подсети. Параметр *nexthopip* — это действительный IP-адрес ближайшего маршрутизатора. При указании Null0 в качестве значения ближайшего маршрутизатора происходит добавление статического маршрута отказа. Необязательный параметр *preference* является целым числом (от 1 до 255), который позволяет указать приоритетное значение (называемое также «административная дистанция») для отдельного статического маршрута. Для ввода в таблицу коммутации из существующих маршрутов к одному пункту назначения выбирается маршрут с наименьшей административной дистанцией. Указывая для статического маршрута значение *preference*, вы определяете, является статический маршрут более или менее приоритетным, чем маршруты протоколов динамической маршрутизации. Параметр *preference* также определяет статический маршрут как более или менее предпочтительный относительно других статических маршрутов к тому же пункту назначения. Маршрут со значением *preference* 255 нельзя использовать для передачи трафика.

Параметр *description* позволяет ввести описание маршрута.

Чтобы статические маршруты были видимыми, требуется выполнить следующие шаги.

- Включить IP-маршрутизацию глобально.
- Включить IP-маршрутизацию для интерфейса.
- Убедиться, что связанное подключение также доступно.

**Значение по умолчанию:** preference — 1

**Формат:** ip route [*vrf vrf-name*] *ipaddr subnetmask* { *nexthopip* | Null0 | interface {*unit/slot/ port* | *vlan-id*}} [*preference*] [*description description*]

**Режим ввода команд:** глобальная конфигурация

### *no ip route*

Эта команда удаляет один ближайший узел из статического маршрута к целевому адресу. Если использовать параметр *nexthopip*, удаляется ближайший узел. Если указать значение *preference*, приоритет для статического маршрута устанавливается в значение по умолчанию.

**Формат:** no ip route *ipaddr subnetmask* [{*nexthopip* [*preference*] | Null0}]

**Режим ввода команд:** глобальная конфигурация

### *ip route default*

Данная команда настраивает маршрут по умолчанию. Значение *nexthopip* — это действительный IP-адрес ближайшего маршрутизатора. Значение *preference* — целое число от 1 до 255. Маршрут со значением *preference* 255 нельзя использовать для передачи трафика.

**Значение по умолчанию:** preference — 1

**Формат:** ip route default *nexthopip* [*preference*]

**Режим ввода команд:** глобальная конфигурация

### *no ip route default*

Данная команда удаляет все настроенные маршруты по умолчанию. Если указан необязательный параметр *nexthopip*, из настроенного маршрута по умолчанию удаляется ближайший узел. Если указано необязательное значение *preference*, приоритет настроенного маршрута по умолчанию устанавливается в значение по умолчанию.

**Формат:** `no ip route default [{nexthopip | preference}]`

**Режим ввода команд:** глобальная конфигурация

### *ip route distance*

Эта команда устанавливает дистанцию (приоритет) по умолчанию для статических маршрутов. При определении оптимального маршрута предпочтение отдается более низким значениям дистанции маршрута. Команды *ip route* и *ip route default* позволяют дополнительно установить дистанцию (приоритет) для конкретных статических маршрутов. Если дистанция не указана с помощью этих команд, используется дистанция по умолчанию. Изменение дистанции по умолчанию не обновляет дистанцию существующих статических маршрутов, даже если изначально они были назначены дистанциями по умолчанию. Новая дистанция по умолчанию будет применяться только к статическим маршрутам, созданным после выполнения команды *ip route distance*.

**Значение по умолчанию:** 1

**Формат:** `ip route distance 1-255`

**Режим ввода команд:** глобальная конфигурация

### *no ip route distance*

Эта команда устанавливает приоритет статического маршрута на маршрутизаторе в значение по умолчанию. При определении оптимального маршрута предпочтение отдается более низким значениям приоритета маршрута.

**Формат:** `no ip route distance`

**Режим ввода команд:** глобальная конфигурация

### *ip route net-prototype*

Эта команда добавляет сетевые прототипы IPv4-маршрутов.

**Формат:** `ip route net-prototype prefix/prefix-length nexthopip num-routes`

**Режим ввода команд:** глобальная конфигурация

<i>Параметр</i>	<i>Описание</i>
<code>prefix/prefix-length</code>	Целевая сеть и маска маршрута.

<i>nexthopip</i>	Ближайший IP-адрес, который должен принадлежать активному интерфейсу маршрутизации, но не обязательно быть разрешенным.
<i>num-routes</i>	Количество маршрутов, которые необходимо добавить, начиная с указанного аргумента префикса и в пределах длины указанного префикса.

### *no ip route net-prototype*

Команда удаляет все сетевые прототипы IPv4-маршрутов.

**Формат:** `ip route net-prototype prefix/prefix-length nexthopip num-routes`

**Режим ввода команд:** глобальная конфигурация

### *ip netdirbcast*

Эта команда включает широковещательную переадресацию на интерфейсе или диапазоне интерфейсов.

**Значение по умолчанию:** выключено

**Формат:** `ip netdirbcast`

**Режим ввода команд:** конфигурирование интерфейса

### *no ip netdirbcast*

Команда выключает широковещательную переадресацию на интерфейсе или диапазоне интерфейсов.

**Формат:** `no ip netdirbcast`

**Режим ввода команд:** конфигурирование интерфейса

### *ip mtu*

Эта команда устанавливает значение IP Maximum Transmission Unit (MTU) на интерфейсе маршрутизации или диапазоне интерфейсов. IP MTU — это максимальная размер IP-пакета, который может быть передан на интерфейс без фрагментации.

Если переадресованные пакеты превышают IP MTU на принимающем интерфейсе, они отбрасываются. Пакеты, созданные маршрутизатором, например OSPF-пакеты, могут быть фрагментированы IP-стеком.

OSPF анонсирует IP MTU в пакетах Database Description при их отправке на соседние узлы в процессе обмена базами данных. Если OSPF на двух соседних узлах анонсируют разные значения IP MTU, смежность между ними не образуется (за исключением случаев, когда OSPF даны указания игнорировать различия в IP MTU командой *ip ospf mtu-ignore*).



**Размер IP MTU определяет максимальный размер IP-пакета (IP-заголовок плюс полезная нагрузка IP). Он не включает в себя дополнительные байты, которые могут потребоваться для заголовков второго уровня. Чтобы принимать и обрабатывать пакеты, Ethernet MTU (см. *mtu*) должен учитывать размер Ethernet-заголовка.**

**Значение по умолчанию:** 1500 байт

**Формат:** ip mtu 68-12270  
**Режим ввода команд:** конфигурирование интерфейса

*no ip mtu*

Данная команда возвращает IP MTU в значение по умолчанию.

**Формат:** no ip mtu  
**Режим ввода команд:** конфигурирование интерфейса

### ***release dhcp***

Команда заставляет DHCPv4-клиент освободить занятый IP-адрес на указанном интерфейсе. DHCP-клиент высылает сообщение DHCP Release, сообщая DHCP-серверу, что указанный IP-адрес больше не нужен и может быть назначен другому объекту.

**Формат:** release dhcp {unit/slot/port | vlan id}  
**Режим ввода команд:** привилегированный

### ***renew dhcp***

Используйте эту команду, чтобы заставить DHCPv4-клиент немедленно обновить аренду IPv4-адреса на указанном интерфейсе.



**Эта команда может быть использована на стандартных (in-band) портах, а также на портах обслуживания или сетевых (out-of-band) портах.**

**Формат:** renew dhcp {unit/slot/port | vlan id}  
**Режим ввода команд:** привилегированный

### ***renew dhcp network-port***

Команда для обновления IP-адреса на сетевом порте.

**Формат:** renew dhcp network-port  
**Режим ввода команд:** привилегированный

### ***renew dhcp service-port***

Используйте данную команду, чтобы обновить IP-адрес на интерфейсе управления.

**Формат:** renew dhcp service-port  
**Режим ввода команд:** привилегированный

### ***encapsulation***

Эта команда настраивает тип инкапсуляции уровня соединений для пакета на интерфейсе или диапазоне интерфейсов. Тип инкапсуляции может принимать значения ethernet или snap.

**Значение по умолчанию:** ethernet  
**Формат:** encapsulation {ethernet | snap}  
**Режим ввода команд:** конфигурирование интерфейса



**Если маршрутизация кадров выполняется в сеть VLAN, для них всегда используется инкапсуляция Ethernet.**

### **show dhcp lease**

Эта команда отображает список IPv4-адресов, которые в настоящее время выделены DHCP-сервером для указанных или всех стандартных интерфейсов. Команда не применима для сетевых или сервисных портов.

**Формат:** `show dhcp lease [interface {unit/slot/port | vlan id}]`

**Режим ввода команд:** привилегированный

<i>Параметр</i>	<i>Описание</i>
<b>IP address, Subnet mask</b>	IP-адрес и маска подсети, выделенные DHCP-сервером
<b>DHCP Lease server</b>	IPv4-адрес DHCP-сервера, который выделил адрес.
<b>State</b>	Статус DHCPv4-клиента на указанном интерфейсе
<b>DHCP transaction ID</b>	Идентификатор транзакции DHCPv4-клиента.
<b>Lease</b>	Время (в секундах) с момента выделения IP-адреса сервером
<b>Renewal</b>	Время (в секундах) до отправки DHCPv4-клиентом следующего запроса об обновлении IP-адреса
<b>Rebind</b>	Время (в секундах) до начала процесса DHCP Rebind
<b>Retry count</b>	Количество повторов DHCPv4-клиентом сообщения DHCP REQUEST до получения ответа сервера

### **show ip brief**

Данная команда отображает сводную информацию о глобальной конфигурации IP для указанного виртуального маршрутизатора, включая настройки ограничения скорости ICMP и глобальную конфигурацию ICMP-переадресации. Если маршрутизатор не указан, отображается информация маршрутизатора по умолчанию.

**Формат:** `show ip brief [vrf vrf-name]`

**Режимы ввода команд:** привилегированный  
пользовательский

<i>Термин</i>	<i>Значение</i>
<b>Default Time to Live</b>	Значение TTL для переадресации пакета от локального маршрутизатора к конечному пункту назначения.
<b>Routing Mode</b>	Показывает, включен ли режим маршрутизации.
<b>Maximum Next Hops</b>	Максимальное количество ближайших узлов.
<b>Maximum Routes</b>	Максимальное количество маршрутов.
<b>ICMP Rate Limit Interval</b>	Показывает, как часто происходит инициализация корзины токенов за счет токенов увеличенного размера. Burst-interval устанавливается в диапазоне от 0 до 2 147 483 647 миллисекунд. По умолчанию burst-interval равен 1000 миллисекундам.
<b>ICMP Rate Limit Burst Size</b>	Показывает количество сообщений об ошибках ICMPv4, которые могут быть присланы за один период burst-interval. Диапазон: от 1 до 200 сообщений.

	Значение по умолчанию — 100 сообщений.
<b>ICMP Echo Replies</b>	Показывает, включены ли ICMP-ответы.
<b>ICMP Redirects</b>	Показывает, включены ли ICMP-перенаправления.

### **show ip interface**

Эта команда отображает всю необходимую информацию об IP-интерфейсе. Аргумент *unit/slot/port* относится к физическому или виртуальному интерфейсу маршрутизации. Ключевое слово *vlan* используется для прямого указания идентификатора VLAN на маршрутизирующем VLAN-интерфейсе (вместо формата *unit/slot/port*).

**Формат:** `show ip interface {unit/slot/port|vlan 1-4094|loopback 0-7}`

**Режим ввода команд:** привилегированный  
пользовательский

<b>Термин</b>	<b>Значение</b>
<b>Routing Interface Status</b>	Определяет оперативный статус интерфейса IPv4-маршрутизации. Возможные значения: Up или Down.
<b>Primary IP Address</b>	Основной IP-адрес и маска подсети интерфейса. Значение отображается лишь в том случае, если настроено.
<b>Method</b>	Показывает, настроен IP-адрес вручную или же получен от DHCP-сервера.
<b>Secondary IP Address</b>	Один или несколько вторичных IP-адресов и масок подсети интерфейса. Значение отображается лишь в том случае, если настроено.
<b>Helper IP Address</b>	Вспомогательные IP-адреса, настроенные командой <code>ip helper-address</code> .
<b>Routing Mode</b>	Административный режим участия для маршрутизатора интерфейса. Возможные значения: <code>enable</code> или <code>disable</code> .
<b>Administrative Mode</b>	Административный режим указанного интерфейса. Возможные значения: <code>enable</code> или <code>disable</code> .
<b>Forward Net Directed Broadcasts</b>	Показывает, включена ли широковещательная переадресация.
<b>Proxy ARP</b>	Показывает, включен ли в системе прокси-ARP.
<b>Local Proxy ARP</b>	Показывает, включен ли на интерфейсе локальный прокси-ARP.
<b>Active State</b>	Показывает, активен ли интерфейс. Интерфейс считается активным, если с ним установлена связь и он осуществляет переадресацию.
<b>Link Speed Data Rate</b>	Целое число, представляющее скорость передачи данных физического соединения для указанного интерфейса. Измеряется в мегабитах в секунду (Мбит/с).
<b>MAC Address</b>	Закрепленный физический адрес указанного интерфейса. Формат: 6 двузначных чисел шестнадцатеричной системы, разделенных двоеточиями.
<b>Encapsulation Type</b>	Тип инкапсуляции для указанного интерфейса. Возможные типы: Ethernet или SNAP.

<b>IP MTU</b>	Максимальный размер MTU для кадра в байтах.
<b>Bandwidth</b>	Пропускная способность интерфейса.
<b>Destination Unreachables</b>	Показывает, могут ли быть посланы сообщения ICMP Destination Unreachable (включены или выключены).
<b>ICMP Redirects</b>	Показывает, могут ли быть посланы сообщения ICMP Redirect (включены или выключены).
<b>DHCP Client Identifier</b>	Идентификатор клиента в выводе команды отображается только в тех случаях, если DHCP на стандартном интерфейсе был включен с опцией <i>client-id</i> .

### ***show ip interface brief***

Эта команда отображает сводную информацию о параметрах IP-конфигурации всех портов маршрутизатора и указывает, каким образом каждый IP-адрес был назначен для заданного экземпляра виртуального маршрутизатора. Если виртуальный маршрутизатор не указан, отображается таблица параметров IP-конфигурации маршрутизатора по умолчанию.

**Формат:** `show ip interface [vrf vrf-name] brief`

**Режим ввода команд:** привилегированный  
пользовательский

<b>Термин</b>	<b>Значение</b>
<b>Interface</b>	Действительный слот и номер порта, разделенные косой чертой.
<b>State</b>	Оперативный статус маршрутизации на интерфейсе.
<b>IP Address</b>	IP-адрес интерфейса маршрутизации в 32-битном десятичном формате с точками.
<b>IP Mask</b>	IP-маска интерфейса маршрутизации в 32-битном десятичном формате с точками.
<b>Method</b>	Указывает, как был назначен каждый IP-адрес. Поле содержит одно из следующих значений: <ul style="list-style-type: none"> <li>DHCP — адрес предоставлен DHCP-сервером;</li> <li>Manual — адрес настроен вручную.</li> </ul>

### ***show ip load-sharing***

Команда отображает текущий настроенный режим балансировки нагрузки IP ECMP.

**Формат:** `show ip load-sharing`

**Режим ввода команд:** привилегированный

### ***show ip protocols***

Данная команда отображает сводную информацию о конфигурации и статусе для каждого одноадресного протокола маршрутизации, работающего на указанном виртуальном маршрутизаторе. Команда выводит протоколы маршрутизации, которые настроены и включены. Если в командной строке выбран определенный протокол, вывод команды будет ограничен только этим протоколом. Если виртуальный маршрутизатор не указан, отображается конфигурация и статус для маршрутизатора по умолчанию.



**Формат:** `show ip protocols [vrf vrf-name] [bgp|ospf|rip]`

**Режим ввода команд:** привилегированный

<i>Термин</i>	<i>Значение</i>
<b>Раздел BGP</b>	
<b>Routing Protocol</b>	BGP.
<b>Router ID</b>	Идентификатор маршрутизатора, настроенный для BGP.
<b>Local AS Number</b>	Номер AS, в котором находится локальный маршрутизатор.
<b>BGP Admin Mode</b>	Включен ли BGP глобально.
<b>Maximum Paths</b>	Максимальное количество ближайших узлов на внутреннем или внешнем маршруте BGP.
<b>Always Compare MED</b>	Настроен ли BGP на сравнение MED для маршрутов, полученных от подключенных устройств в других AS.
<b>Maximum AS Path Length</b>	Ограничение длины AS-путей, которые BGP принимает от соседних устройств.
<b>Fast Internal Failover</b>	Будет ли BGP немедленно выключать смежности iBGP, если менеджер таблицы маршрутизации сообщит, что адрес партнерского устройства больше не доступен.
<b>Fast External Failover</b>	Будет ли BGP немедленно выключать смежности eBGP, если соединение с соседним устройством прервется.
<b>Distance</b>	Административная дистанция (или «приоритет маршрута») по умолчанию для внешних, внутренних и локальных маршрутов BGP. В отображаемой следом таблице перечисляются диапазоны соседних адресов, которые были настроены, чтобы переопределить дистанцию по умолчанию на дистанцию указанного соседа. Если адрес соседа попадает в один из этих диапазонов, маршрутам от этого соседа назначаются настроенные дистанции. Если список префиксов сконфигурирован, дистанция назначается только префиксам от соседних устройств, которые разрешены списком префиксов.
<b>Redistribution</b>	Таблица с информацией для каждого протокола источника (connected, static, rip и ospf). Для каждого из этих источников показывается список раздач и карта маршрутов, а также настроенная метрика. Не настроенные поля остаются пустыми. Для OSPF дополнительная линия показывает настроенные параметры соответствия OSPF.
<b>Prefix List In</b>	Глобальный список префиксов, используемых для фильтрации входящих маршрутов от всех соседних устройств.
<b>Prefix List Out</b>	Глобальный список префиксов, используемых для фильтрации исходящих маршрутов для всех соседних устройств.
<b>Networks Originated</b>	Набор сетей, участвующих в работе протокола BGP. Сети, анонсированные соседним устройствам, отмечены как active.

<b>Neighbors</b>	Список настроенных соседних устройств и настроенные для каждого из них входящие и исходящие политики.
<b>Раздел OSPFv2</b>	
<b>Routing Protocol</b>	OSPFv2.
<b>Router ID</b>	Идентификатор маршрутизатора, настроенный для OSPFv2.
<b>OSPF Admin Mode</b>	Включен ли OSPF глобально.
<b>Maximum Paths</b>	Максимальное количество ближайших узлов на внутреннем или внешнем маршруте OSPF.
<b>Routing for Networks</b>	Набор сетей, участвующих в работе протокола OSPF.
<b>Distance</b>	Административная дистанция (или «приоритет маршрута») для внутризональных, внезональных и внешних маршрутов.
<b>Default Route Advertise</b>	Настроен ли OSPF на создание маршрута по умолчанию.
<b>Always</b>	Зависит ли анонсирование по умолчанию от наличия маршрута по умолчанию в общей таблице маршрутизации.
<b>Metric</b>	Метрика, настроенная для анонсирования с маршрутом по умолчанию.
<b>Metric Type</b>	Тип метрики для маршрута по умолчанию.
<b>Redist Source</b>	Тип маршрутов, перераспределяемых протоколом OSPF.
<b>Metric</b>	Метрика, анонсируемая для перераспределяемых маршрутов данного типа.
<b>Metric Type</b>	Тип метрики для перераспределяемых маршрутов данного типа.
<b>Subnets</b>	Перераспределяет OSPF подсети классовых адресов или только классовые префиксы.
<b>Dist List</b>	Список сетей, используемый для фильтрации маршрутов данного типа. Перераспределяются только маршруты, прошедшие список распределения.
<b>Number of Active Areas</b>	Количество OSPF-зон как минимум с одним интерфейсом, работающим на данном маршрутизаторе. Дополнительно приводится разбивка по типу зон.
<b>ABR Status</b>	Является ли маршрутизатор в настоящее время пограничным. Маршрутизатор является пограничным маршрутизатором зоны, если на нем есть интерфейсы, которые работают более чем в одной зоне и одна из которых является магистральной.
<b>ASBR Status</b>	Является ли маршрутизатор пограничным маршрутизатором автономной системы (ASBR). Маршрутизатор является ASBR, если он перераспределяет любые маршруты или является источником маршрута по умолчанию.
<b>Раздел RIP</b>	
<b>RIP Admin Mode</b>	Включен ли RIP глобально.
<b>Split Horizon Mode</b>	Анонсирует ли RIP маршруты на интерфейсы, откуда

	они были получены.
<b>Default Metric</b>	Метрика, назначенная перераспределенным маршрутам.
<b>Default Route Advertise</b>	Является ли данный маршрутизатор источником маршрута по умолчанию.
<b>Distance</b>	Административная дистанция для маршрутов RIP.
<b>Redistribution</b>	Таблица, отображающая информацию для каждого протокола источника маршрутов (connected, static, bgp и ospf). Для каждого из этих источников отображаются параметры <b>distribution list</b> и <b>metric</b> . Не настроенные поля остаются пустыми. Для OSPF также отображаются настроенные параметры <b>ospf match</b> .
<b>Interface</b>	Интерфейсы, где включен RIP, и версия, отправляемая и принимаемая каждым интерфейсом.

### show ip route

Данная команда отображает таблицу маршрутизации для указанного виртуального маршрутизатора (*vrf vrf-name*). Если маршрутизатор не указан, отображается таблица маршрутизации для маршрутизатора по умолчанию. *ip-address* указывает сеть, для которой будет отображаться маршрут, и показывает наиболее подходящий маршрут к адресу. *mask* указывает маску подсети для параметра *ip-address*. Если использовать ключевое слово *longer-prefixes*, пара *ip-address* и *mask* становится префиксом, и команда отображает маршруты к адресам, которые совпадают с этим префиксом. Используйте параметр *protocol*, чтобы указать протокол, которым установлены маршруты. Значение параметра *protocol* может быть *connected*, *ospf*, *rip*, *static* или *bgp*. Используйте параметр *all*, чтобы отобразить все маршруты, включая наиболее подходящие и прочие. Если параметр *all* не используется, команда отображает только наиболее подходящий маршрут.



Если использовать для *protocol* ключевое слово *connected*, опция *all* будет недоступна, потому что наиболее и наименее подходящих подключенных маршрутов не существует.

Если использовать с параметром *protocol* ключевое слово *static*, становится доступной опция *description*, например: `show ip route ip-address static description`. Данная команда отображает описание указанного статического маршрута.

**Формат:** `show ip route [vrf vrf-name] [{ip-address [protocol] | {ip-address mask [longer- prefixes] [protocol] | protocol} [all] | all}]`

**Режим ввода команд:** привилегированный  
пользовательский

Термин	Значение
<b>Route Codes</b>	Ключ для кодов протокола маршрутизации, который может появиться при выводе таблицы маршрутизации.

Команда `show ip route` отображает таблицы маршрутизации в следующем формате:

Code IP-Address/Mask [Preference/Metric] via Next-Hop, Route-Timestamp, Interface, Truncated

Столбцы таблицы маршрутизации отображают следующую информацию.

<i>Термин</i>	<i>Значение</i>
<b>Code</b>	Коды для протоколов маршрутизации, создавших маршруты.
<b>Default Gateway</b>	IP-адрес шлюза по умолчанию. Когда в системе нет более точного маршрута до места назначения пакета, пакет отправляется на шлюз по умолчанию.
<b>IP-Address/Mask</b>	IP-адрес и маска целевой сети, соответствующая данному маршруту.
<b>Preference</b>	Административная дистанция, связанная с данным маршрутом. Маршруты с низкими значениями более предпочтительны, чем маршруты с высокими.
<b>Metric</b>	Стоимость, связанная с этим маршрутом.
<b>via Next-Hop</b>	IP-адрес маршрутизатора (если таковой существует), используемый для направления трафика на пути к месту назначения.
<b>Route- Timestamp</b>	Время последнего обновления для динамических маршрутов. Формат для временной метки маршрута будет в виде: <ul style="list-style-type: none"> <li>• дд:чч:мм, если прошло дней &gt; = 1;</li> <li>• чч:мм:сс если прошло дней &lt; 1</li> </ul>
<b>Interface</b>	Интерфейс маршрутизатора, используемый для направления трафика к следующему целевому узлу. Для отклоненных маршрутов ближайшим будет интерфейс Null0.
<b>T</b>	Флаг, добавляемый к маршруту, чтобы указать, что это ESRP-маршрут, но только один из его ближайших узлов был установлен в таблице переадресации. Таблица переадресации может ограничивать количество ESRP-маршрутов или ESRP-групп. Если ESRP-маршрут не удается установить, потому что достигнуто установленное ограничение, маршрут устанавливается с помощью одного ближайшего узла. Такие сокращенные маршруты обозначаются флагом T после имени интерфейса.

Чтобы административно контролировать трафик, отправляемый на определенную сеть, и предотвратить его передачу через маршрутизатор, можно настроить на маршрутизаторе статический маршрут отказа. Такой трафик будет отброшен, и ICMP-сообщение о недоступности места назначения будет послано обратно к источнику. Обычно такой способ используют для предотвращения маршрутных петель. Маршрут отказа, добавленный в RTO, относится к типу OSPF Inter-Area. Маршруты отказа (маршруты типа REJECT, установленные любым протоколом) не распространяются протоколами OSPF/RIP. Маршруты отказа поддерживаются и в OSPFv2, и в OSPFv3.

### ***show ip route ecmp-groups***

Эта команда выдает отчет обо всех ESRP-группах в таблице маршрутизации IPv4. ESRP-группы — это набор из двух или более соседних узлов, используемых в одном или нескольких маршрутах. Группы нумеруются произвольно от 1 до n. Вывод команды показывает количество соседних узлов в группе и количество маршрутов, использующих набор этих соседних узлов. При выводе также указывается IPv4-адрес и исходящий интерфейс для каждого перехода в каждой группе.

**Формат:** `show ip route ecmp-groups`

**Режим ввода команд:** привилегированный

### ***show ip route hw-failure***

Используйте эту команду для отображения маршрутов, которые не удалось добавить в таблицу из-за ошибок хэша или переполнения таблицы.

**Формат:** `show ip route hw-failure`

**Режим ввода команд:** привилегированный

### ***show ip route net-prototype***

Данная команда отображает маршруты прототипа сети. Маршруты прототипов сетей отображаются с меткой P.

**Формат:** `show ip route net-prototype`

**Режим ввода команд:** привилегированный

### ***show ip route summary***

Эта команда показывает сводную информацию о состоянии таблицы маршрутизации. Если введено дополнительное ключевое слово `all`, некоторая статистика, например количество маршрутов от каждого источника, включает альтернативные маршруты. Альтернативный маршрут — это маршрут, который не является наиболее приоритетным до места назначения и поэтому не попадает в таблицу переадресации. Чтобы включить только количество оптимальных маршрутов, не используйте необязательное ключевое слово.

**Формат:** `show ip route summary [all]`

**Режим ввода команд:** привилегированный  
пользовательский

<i>Термин</i>	<i>Значение</i>
<b>Connected Routes</b>	Общее количество маршрутов в таблице маршрутизации.
<b>Static Routes</b>	Общее количество статических маршрутов в таблице маршрутизации.
<b>RIP Routes</b>	Общее количество маршрутов, установленных протоколом RIP.
<b>BGP Routes</b>	Общее количество маршрутов, установленных протоколом BGP.
<b>External</b>	Количество внешних BGP-маршрутов.
<b>Internal</b>	Количество внутренних BGP-маршрутов.
<b>Local</b>	Количество локальных BGP-маршрутов.
<b>OSPF Routes</b>	Общее количество маршрутов, установленных протоколом OSPF.
<b>Intra Area Routes</b>	Общее количество маршрутов между зонами, установленных протоколом OSPF.
<b>External Type-1 Routes</b>	Общее количество маршрутов External Type-1, установленных протоколом OSPF.
<b>External Type-2 Routes</b>	Общее количество маршрутов External Type-2, установленных протоколом OSPF.

<b>Reject Routes</b>	Общее количество отброшенных при установке маршрутов всеми протоколами.
<b>Net Prototype Routes</b>	Количество маршрутов прототипов сети.
<b>Total Routes</b>	Общее количество маршрутов в таблице маршрутизации.
<b>Best Routes (High)</b>	Количество оптимальных маршрутов в таблице маршрутизации на данный момент. Это количество учитывает только наиболее подходящие маршруты к каждому месту назначения. Значение в скобках указывает самое высокое значение количества уникальных оптимальных маршрутов с момента последнего обнуления счетчиков.
<b>Alternate Routes</b>	Количество альтернативных маршрутов в таблице маршрутизации на данный момент. Альтернативный маршрут — это маршрут, который не был определен как оптимальный маршрут к месту назначения.
<b>Route Adds</b>	Количество маршрутов, добавленных в таблицу маршрутизации.
<b>Route Modifies</b>	Количество маршрутов, измененных после того, как они были первоначально добавлены в таблицу маршрутизации.
<b>Route Deletes</b>	Количество маршрутов, удаленных из таблицы маршрутизации.
<b>Unresolved Route Adds</b>	Количество добавлений маршрутов, не удавшихся по причине того, что ни один из ближайших узлов не находился в локальной подсети. Обратите внимание: статические маршруты в начале работы могут не добавиться в таблицу маршрутизации, потому что интерфейсы маршрутизации еще не запущены. В этом случае счетчик работает поэтапно. Статические маршруты добавляются в таблицу маршрутизации по мере включения интерфейсов маршрутизации.
<b>Invalid Route Adds</b>	Количество добавлений маршрутов, не удавшихся по причине того, что маршрут был недействительным. Для каждого из таких сбоев выполняется запись в журнале.
<b>Failed Route Adds</b>	Количество добавлений маршрутов, не удавшихся по причине ограничения ресурсов в таблице маршрутизации.
<b>Hardware Failed Route Adds</b>	Количество маршрутов, не добавленных в таблицу, по причине ошибки хэша или переполнения таблицы.
<b>Reserved Locals</b>	Количество записей в таблице маршрутизации, зарезервированных для локальной подсети на интерфейсе маршрутизации, который выключен. Место для местных маршрутов всегда резервируется, чтобы они могли быть установлены в случае отказа интерфейса маршрутизации.
<b>Unique Next Hops (High)</b>	Количество отдельных соседних узлов, используемых всеми текущими маршрутами в таблице маршрутизации. Сюда относятся локальные интерфейсы для локальных маршрутов и соседи для не прямых маршрутов. Значение в скобках указывает

	на самый высокий показатель количества отдельных соседних узлов с момента последнего обнуления счетчиков.
<b>Next Hop Groups (High)</b>	Текущее количество групп соседних узлов, используемых одним или несколькими маршрутами. Каждая такая группа включает один или несколько соседних узлов. Значение в скобках указывает на самый высокий показатель количества групп соседних узлов с момента последнего обнуления счетчиков.
<b>ECMP Groups (High)</b>	Количество групп с несколькими соседними узлами. Значение в скобках указывает на самый высокий показатель количества групп с момента последнего обнуления счетчиков.
<b>ECMP Groups</b>	Количество групп с несколькими соседними узлами.
<b>ECMP Routes</b>	Количество маршрутов с несколькими соседними узлами, находящееся в таблице на данный момент.
<b>Truncated ECMP Routes</b>	Количество ECMP-маршрутов с единственным ближайшим узлом, установленных в таблице переадресации на данный момент. Таблица маршрутизации может ограничивать количество ECMP-маршрутов или ECMP-групп. Если ECMP-маршрут не удастся установить, потому что достигнуто установленное ограничение, маршрут устанавливается с помощью одного ближайшего узла.
<b>ECMP Retries</b>	Количество ECMP-маршрутов, которые были установлены в таблицу маршрутизации после того, как изначально были установлены с единственным ближайшим узлом.
<b>Routes with n Next Hops</b>	Текущее количество маршрутов для каждого количества соседних узлов.

### ***clear ip route counters***

Эта команда сбрасывает счетчики таблицы маршрутизации IPv4, указанные в выводе команды `show ip route summary`, для указанного виртуального маршрутизатора. Если маршрутизатор не указан, команда выполняется для маршрутизатора по умолчанию. Команда сбрасывает только счетчики событий. Счетчики, показывающие текущее состояние таблицы маршрутизации, такие как количество маршрутов каждого типа, не сбрасываются.

**Формат:** `clear ip route counters [vrf vrf-name]`

**Режим ввода команд:** привилегированный

### ***show ip route preferences***

Эта команда отображает подробную информацию о приоритетах для каждого типа маршрута. Приоритеты маршрута используются для определения лучшего маршрута. Низкие значения приоритета более предпочтительны, чем высокие значения. Маршрут с приоритетом 255 нельзя использовать для передачи трафика.

**Формат:** `show ip route preferences`

**Режим ввода команд:** привилегированный

<i>Термин</i>	<i>Значение</i>
<b>Local</b>	Значение приоритета для локального маршрута.
<b>Static</b>	Значение приоритета для статического маршрута.
<b>BGP External</b>	Значение приоритета для внешнего BGP-маршрута.
<b>OSPF Intra</b>	Значение приоритета для межзонального OSPF-маршрута.
<b>OSPF Inter</b>	Значение приоритета для внутризонального OSPF-маршрута.
<b>OSPF External</b>	Значение приоритета для внешнего OSPF-маршрута.
<b>RIP</b>	Значение приоритета для RIP-маршрута.
<b>BGP Internal</b>	Значение приоритета для внутреннего BGP-маршрута.
<b>BGP Local</b>	Значение приоритета для локального BGP-маршрута.
<b>Configured Default Gateway</b>	Значение приоритета для маршрута статически настроенного шлюза по умолчанию.
<b>DHCP Default Gateway</b>	Значение приоритета для маршрута шлюза по умолчанию, полученного от DHCP-сервера.

### ***show ip stats***

Данная команда отображает статистическую IP-информацию для указанного экземпляра виртуального маршрутизатора. Если виртуальный маршрутизатор не указан, отображается статистика для маршрутизатора по умолчанию.

**Формат:** `show ip stats [vrf vrf-name]`

**Режим ввода команд:** привилегированный  
пользовательский

### ***show routing heap summary***

Эта команда отображает сводную информацию о распределении динамической памяти маршрутизации. Динамическая память маршрутизации — это блок памяти, выделенный при загрузке системы для использования в приложениях маршрутизации.

**Формат:** `show routing heap summary`

**Режим ввода команд:** привилегированный

<i>Параметр</i>	<i>Описание</i>
<b>Heap Size</b>	Количество памяти в байтах, выделенное при запуске на динамическую память маршрутизации.
<b>Memory In Use</b>	Количество распределенных байтов на данный момент.
<b>Memory on Free List</b>	Количество байтов, находящихся в данный момент в списке доступной памяти. Когда участок динамической памяти освобождается, он попадает в список доступной памяти для дальнейшего использования.
<b>Memory Available in Heap</b>	Количество исходных байтов, которые никогда не были распределены.



In Use High Water Mark	Максимальное количество использованной памяти с последнего перезапуска системы.
------------------------	---

### 10.3 Команды настройки политик маршрутизации

#### *ip policy route-map*

Используйте эту команду, чтобы определить *route-map* для применения маршрутизации на основе политики на интерфейсе, указанном в параметре *route-map-name*. Маршрутизация на основе политики настраивается на интерфейсе, который принимает пакеты, а не отправляет их.

Когда *route-map*, применяемая к интерфейсу, меняется (например, когда добавляются новые записи или в рамках записей добавляются/удаляются условия для настроек/соответствий), а также при необходимости удалить *route-map* выполняется сначала удаление карты с интерфейса, а затем (при изменениях) — ее обратное добавление, чтобы применить измененную конфигурацию.



**Route-map и функционал DiffServ не могут работать на одном интерфейсе.**

**Формат:** `ip policy route-map-name`

**Режим ввода команд:** конфигурирование интерфейса

Параметр	Описание
Heap Size	Количество памяти в байтах, выделенное при запуске на динамическую память маршрутизации.
Memory In Use	Количество распределенных байтов на данный момент.
Memory on Free List	Количество байтов, находящихся в данный момент в списке доступной памяти. Когда участок динамической памяти освобождается, он попадает в список доступной памяти для дальнейшего использования.
Memory Available in Heap	Количество исходных байтов, которые никогда не были распределены.
In Use High Water Mark	Максимальное количество использованной памяти с последнего перезапуска системы.

#### *ip prefix-list*

Чтобы создать список префиксов или добавить запись в такой список, используйте данную команду в режиме глобальной конфигурации. Списки префиксов позволяют сопоставлять префиксы маршрутов с префиксами, указанными в списке. Каждый список префиксов включает в себя последовательность записей префиксов, упорядоченных в соответствии с порядковыми номерами. Маршрутизатор последовательно проверяет каждый элемент списка префиксов, чтобы определить, совпадает ли префикс маршрута с префиксом записи. Если список префиксов пуст или не существует, разрешены все префиксы. Отказ подразумевается для тех случаев, когда префикс не соответствует ни одной записи из списка. Найдя совпадение или получив отказ, маршрутизатор не проверяет остальную часть списка. Список префиксов можно использовать в *route-map*.

Настроить можно до 128 списков префиксов. Максимальное количество записей в списке префиксов — 64.

**Значение по умолчанию:** по умолчанию списки префиксов отсутствуют.

**Формат:** `ip prefix-list list-name {[seq number] {permit | deny} network/length [ge length] [le length] | renumber renumber-interval first-statement-number}`

**Режим ввода команд:** глобальная конфигурация

Параметр	Описание
<b>list-name</b>	Текстовое имя списка префиксов. Длина — до 32 символов.
<b>seq number</b>	(Необязательный параметр.) Порядковый номер данной записи в списке префиксов. Записи в списке префиксов упорядочены от наименьшего порядкового номера к большему и применяются в указанном порядке. Если вы не указываете порядковый номер, система автоматически присваивает записи порядковый номер на пять единиц больше последнего номера в списке. Нельзя настроить две записи с одним и тем же порядковым номером. Значение может быть от 1 до 4 294 967 294.
<b>permit</b>	Разрешить маршруты, префикс места назначения в которых совпадает с записью.
<b>deny</b>	Отклонить маршруты, префикс места назначения в которых совпадает с записью.
<b>network/length</b>	Указывает критерий совпадения для маршрутов, сопоставляемых с записями списка префиксов. Значение <code>network</code> может обозначать любой действительный IP-префикс. Значение <code>length</code> может обозначать любой префикс IPv4 длиной от 0 до 32.
<b>ge length</b>	(Необязательный параметр.) Если эта опция настроена, префикс считается совпадением, если длина маски сети больше либо равна указанному значению. Значение должно быть больше длины сети и меньше либо равно 32.
<b>le length</b>	(Необязательный параметр.) Если эта опция настроена, префикс считается совпадением, если длина маски сети меньше либо равна указанному значению. Значение должно быть больше длины <code>ge</code> и меньше либо равно 32.
<b>renumber</b>	(Необязательный параметр.) Предоставляет возможность изменить порядковую нумерацию заявленных записей в списке IP-префиксов с заданным интервалом, начиная с указанного порядкового номера. Диапазон значений для <code>renumber-interval</code> — 1–100, диапазон значений для <code>first-statement-number</code> — 1–1000.

### *no ip prefix-list*

Чтобы удалить список префиксов или запись в списке префиксов, используйте **no**-форму данной команды. Команда **no ip prefixlist list-name** удаляет весь список префиксов. Чтобы удалить отдельную запись в списке префиксов, необходимо точно указать эту запись со всеми опциями.

**Формат:** `no ip prefix-list list-name [seq number] { permit | deny } network/length [ge length] [le length]`

**Режим ввода команд:** глобальная конфигурация

### *ip prefix-list description*

Используйте команду **ip prefix-list description** в режиме глобальной конфигурации, чтобы применить текстовое описание к списку префиксов.

**Значение по умолчанию:** описания отсутствуют.

**Формат:** `ip prefix-list list-name description text`

**Режим ввода команд:** глобальная конфигурация

<i>Параметр</i>	<i>Описание</i>
<b>list-name</b>	Текстовое имя списка префиксов.
<b>description text</b>	Текст описания для списка префиксов. Длина — до 80 символов.

### *no ip prefix-list description*

Используйте **no**-форму команды, чтобы удалить текст описания.

**Формат:** `no ip prefix-list list-name description`

**Режим ввода команд:** глобальная конфигурация

### *ipv6 prefix-list*

Используйте эту команду, чтобы создать списки IPv6-префиксов. Список префиксов IPv6 может включать только IPv6-адреса. Списки префиксов позволяют сопоставлять префиксы маршрутов с префиксами, указанными в списке. Каждый список префиксов включает в себя последовательность записей префиксов, упорядоченных в соответствии с порядковыми номерами. Маршрутизатор последовательно проверяет каждый элемент списка префиксов, чтобы определить, совпадает ли префикс маршрута с префиксом записи. Для сопоставления маршрутов IPv6 используются только списки IPv6-префиксов. Если список префиксов пуст или не существует, разрешены все префиксы. Отказ подразумевается для тех случаев, когда префикс не соответствует ни одной записи из списка. Найдя совпадение или получив отказ, маршрутизатор не проверяет остальную часть списка. Список префиксов IPv6 можно использовать `route-map` для сопоставления префикса маршрута при использовании команды `match ipv6 address`. `Route-map` может содержать списки IPv4-префиксов и IPv6-префиксов. Если сопоставляемый маршрут является маршрутом IPv6, используются только списки IPv6-префиксов.

Настроить можно до 128 списков префиксов. Максимальное количество заявлений в списке префиксов — 64. Указанные числа относятся только к спискам IPv6-префиксов. Списки IPv4-префиксов учитываются в аналогичных рамках отдельно.

**Значение по умолчанию:** по умолчанию списки префиксов отсутствуют.

**Формат:** `ipv6 prefix-list list-name [seq seq-number] { {permit/deny} ipv6-prefix/prefix-length[ge ge-value] [le le-value] | description text | renumber renumber-interval first-statement-number}`

**Режим ввода команд:** глобальная конфигурация

<i>Параметр</i>	<i>Описание</i>
<b>list-name</b>	Текстовое имя списка префиксов. Длина — до 32

	символов.
<b>seq number</b>	(Необязательный параметр.) Порядковый номер данной записи в списке префиксов. Записи в списке префиксов упорядочены от наименьшего порядкового номера к большему и применяются в указанном порядке. Если вы не указываете порядковый номер, система автоматически присваивает записи порядковый номер на пять единиц больше последнего номера в списке. Нельзя настроить две записи с одним и тем же порядковым номером. Значение может быть от 1 до 4 294 967 294.
<b>permit</b>	Разрешить маршруты, префикс места назначения в которых совпадает с записью.
<b>deny</b>	Отклонить маршруты, префикс места назначения в которых совпадает с записью.
<b>ipv6-prefix/ prefix-length</b>	Указывает критерий совпадения для маршрутов, сопоставляемых с записями списка префиксов. Значение <code>ipv6-prefix</code> подразумевает любой действующий IPv6-префикс, где адрес указан в шестнадцатеричном формате с использованием 16-битных значений, разделенных двоеточиями. Значение <code>prefix-length</code> — это длина IPv6-префикса в формате десятичного значения, указывающая, сколько из смежных битов высокого порядка адреса содержат префикс (сетевую часть адреса). Десятичное значение необходимо отделять косой чертой.
<b>ge length</b>	(Необязательный параметр.) Если эта опция настроена, длина префикса должна быть больше либо равна значению <code>ipv6-prefix/prefix-length</code> . Это показатель минимального значения в диапазоне длины.
<b>le length</b>	(Необязательный параметр.) Если эта опция настроена, длина префикса должна быть меньше либо равна значению <code>ipv6-prefix/prefix-length</code> . Это показатель максимального значения в диапазоне длины.
<b>Description</b>	Описание списка префиксов. Может содержать до 80 символов.
<b>renumber</b>	(Необязательный параметр.) Предоставляет возможность изменить порядковую нумерацию записей в списке IPv6-префиксов с заданным интервалом, начиная с указанного порядкового номера.

### *no ipv6 prefix-list*

Используйте эту команду, чтобы удалить весь список IPv6-префиксов или отдельную запись из списка.

**Формат:** `ipv6 prefix-list list-name`

**Режим ввода команд:** глобальная конфигурация



**Прежде чем использовать данную команду для удаления списка IPv6-префиксов, требуется удалить его описание с помощью команды `no ip prefix-list description`.**

## ***route-map***

Используйте команду *route-map* в режиме глобальной конфигурации, чтобы создать *route-map* и перейти в режим его конфигурирования. *Route-map* предназначена для ограничения распределения маршрутов определенным диапазоном префиксов. Команда распределения указывает *route-map*, которая относится к списку префиксов. Список префиксов определяет префиксы, которые могут быть распределены. ПО позволяет создавать до 64 *route-map*.

**Значение по умолчанию:** по умолчанию настроенные карты маршрутов отсутствуют. Если нет специальных тегов для отклонения или разрешения маршрутов, по умолчанию они разрешены.

**Формат:** `route-map map-tag [permit|deny] [sequence-number]`

**Режим ввода команд:** глобальная конфигурация

<b>Параметр</b>	<b>Описание</b>
<b>map-tag</b>	Текстовое имя <i>route-map</i> . <i>Route-map</i> с одинаковыми именами группируются с учетом их порядковых номеров. Имя может содержать до 32 символов.
<b>permit</b>	(Необязательный параметр.) Маршруты, соответствующие всем условиям в <i>route-map</i> , разрешены.
<b>deny</b>	(Необязательный параметр.) Маршруты, соответствующие всем условиям в <i>route-map</i> , отклоняются.
<b>sequence-number</b>	(Необязательный параметр.) Целое число, используемое для упорядочения наборов <i>route-map</i> с одинаковыми именами. <i>Route-map</i> упорядочиваются от наименьшего к наибольшему порядковому номеру, более низкие порядковые номера применяются в первую очередь. Если порядковый номер не указан, система присваивает значение на 10 единиц больше последнего использованного порядкового номера. Диапазон — от 0 до 65 535.

## ***no route-map***

Чтобы удалить *route-map* или одну из ее записей, используйте по-форму команды.

**Формат:** `no route-map map-tag [permit|deny] [sequence-number]`

**Режим ввода команд:** глобальная конфигурация

## ***match as-path***

Команда устанавливает условие сравнения *route-map*, при котором BGP-пути автономной системы сравниваются со списком контроля доступа AS-пути. При вводе нового условия *match as-path* в запись *route-map*, в котором уже есть условие *match as-path*, к существующему условию сравнения будут добавлены числа нового списка доступов AS-пути до достижения максимально допустимого количества списков. Маршрут считается совпадающим, если он совпадает с одним или несколькими списками контроля доступа AS-пути, на которые ссылается условие сравнения.

**Формат:** `match as-path as-path-list-number`

**Режим ввода команд:** конфигурирование *route-map*

<b>Параметр</b>	<b>Описание</b>
-----------------	-----------------

<b>as-path-list-number</b>	Целое число от 1 до 500, определяющее список контроля доступа AS-пути, используемый как критерий для сравнения.
----------------------------	---

### *no match as-path*

Данная команда удаляет условие сравнения route-map, при котором BGP-пути автономной системы сравниваются со списком контроля доступа AS-пути.

**Формат:** `no match as-path as-path-list-number`

**Режим ввода команд:** конфигурирование route-map

### *match community*

Команда *match community* в режиме конфигурирования route-map используется, чтобы настроить *route-map* для сопоставления со списком BGP-сообщества. Если список сообщества возвращает действие *permit*, маршрут считается совпадающим. Если запись сопоставления ссылается на список сообщества, который не настроен, ни один маршрут не будет считаться совпадающим с записью.

**Формат:** `match community community-list [community-list...] [exact-match]`

**Режим ввода команд:** конфигурирование route-map

Параметр	Описание
<b>community-list</b>	Имя стандартного списка сообщества. В одно условие сравнения может быть включено до 8 имен.
<b>exact-match</b>	(Необязательный параметр.) Если указана эта опция, маршрут считается совпадающим, если набор сообществ на маршруте точно совпадает с набором сообществ в одной из записей списка сообщества.

### *no match community*

Используйте **no**-форму отмены команды, чтобы удалить условие сравнения из route-map. Команда *no match community list exact-match* удаляет запись сравнения из *route-map*. (Она не просто удаляет опцию exact-match.) Команда *no match community* удаляет условие сравнения и все его списки сообществ.

**Формат:** `no match community community-list [community-list...] [exact-match]`

**Режим ввода команд:** конфигурирование route-map

### *match ip address*

Чтобы настроить route-map на основе префикса места назначения, используйте команду *match ip address* в режиме конфигурирования route-map. Если указать в одной записи несколько списков префиксов, совпадение будет засчитано, если префикс совпадет с любым значением из списка префиксов. Если настроить запись *match ip address* внутри части route-map, которая уже имеет записи *match ip address*, новые списки префиксов будут добавлены к существующим наборам списков префиксов.

**Значение по умолчанию:** критерии сравнения не заданы.

**Формат:** `match ip address prefix-list prefix-list-name [prefix-list-name...]`

**Режим ввода команд:** конфигурирование route-map

Параметр	Описание
prefix-list-name	Имя списка префиксов, используемого для определения набора совпадающих маршрутов. Можно указать до 8 списков префиксов.

### *no match ip address*

Чтобы удалить запись сравнения из карты маршрута, используйте **no**-форму команды.

**Формат:** `no match ip address [prefix-list prefix-list-name [prefix-list-name...]]`

**Режим ввода команд:** конфигурирование route-map

### *match ip address <access-list-number | access-list-name>*

Данная команды настраивает route-map так, чтобы совпадение определялось на основе критериев соответствия, указанных в списке контроля доступа IP (IP ACL). Имейте в виду, что IP ACL необходимо настроить, прежде чем связывать с route-map. Действия, присутствующие в настройках IP ACL, применяются наряду с другими действиями в route-map. Если IP ACL, на который ссылается карта маршрутов, удаляется или в этом ACL происходит добавление/удаление правил, конфигурация отклоняется.

Если существует набор IP ACL, указанных в этой команде, и пакет совпадает хотя бы с одним критерием этих списков, к пакету применяется соответствующий набор действий в этой route-map.

Если при выполнении команды обнаруживаются дублирующие номера/имена в списках контроля IP-доступа, настройки дубликатов игнорируются.

**Значение по умолчанию:** критерии сравнения не заданы.

**Формат:** `match ip address access-list-number | access-list-name [...access-list-number | name ]`

**Режим ввода команд:** конфигурирование route-map

Параметр	Описание
Access-list-number	Номер ACL, определяющий список контроля доступа, настройка которого выполняется в рамках команды. Для стандартных списков контроля доступа это число от 1 до 99. Для расширенных списков контроля доступа это число от 100 до 199.
Access-list-name	Имя списка контроля доступа, определяющее обозначенный IP ACL. Может содержать до 31 символа. При выполнении этой команды match можно указать не более 16 ACL.

### *no match ip address*

Чтобы удалить запись сравнения из route-map, используйте **no**-форму команды.

**Формат:** `no match ip address [access-list-number | access-list-name]`

**Режим ввода команд:** конфигурирование route-map

### ***match ipv6 address***

Используйте эту команду, чтобы настроить route-map для сопоставления на основе префикса места назначения. Параметр **prefix-list *prefix-list-name*** указывает на имя списка IPv6-префиксов, используемых для определения набора совпадающих маршрутов. Можно указать до 8 списков префиксов. Если в одной записи указать несколько списков префиксов, совпадение будет засчитано, если префикс совпадет с любым из списков префиксов. Если настроить запись `match ipv6 address` внутри части route-map, которая уже имеет запись `match ipv6 address`, новые списки префиксов будут добавлены к существующим наборам списков префиксов.

**Значение по умолчанию:** критерии сравнения не заданы.

**Формат:** `match ipv6 address prefix-list prefix-list-name [prefix-list-name...]`

**Режим ввода команд:** конфигурирование route-map

### ***no match ipv6 address***

Чтобы удалить запись сравнения из route-map, используйте по-форму команды.

**Формат:** `no match ipv6 address prefix-list prefix-list-name [prefix-list-name...]`

**Режим ввода команд:** конфигурирование route-map

### ***match length***

Используйте эту команду, чтобы настроить карту маршрута на сопоставление по длине пакета 3 уровня между указанными минимальными и максимальными значениями. *min* определяет минимальную длину пакета 3 уровня (включительно), разрешенную для сопоставления. *max* определяет максимальную длину пакета 3 уровня (включительно), разрешенную для сопоставления. Каждая *route-map* может содержать одну запись сопоставления по диапазону длины пакета.

**Значение по умолчанию:** критерии сравнения не заданы.

**Формат:** `match length min max`

**Режим ввода команд:** конфигурирование route-map

### ***no match length***

Команда для удаления записи сопоставления длины пакета из route-map.

**Формат:** `no match length`

**Режим ввода команд:** конфигурирование route-map

### ***match mac-list***

Данная команды настраивает route-map так, чтобы совпадение определялось на основе критериев соответствия, указанных в списке контроля доступа MAC (MAC ACL).

MAC ACL необходимо настроить, прежде чем связывать с route-map. Действия, присутствующие в настройках MAC ACL, применяются наряду с другими действиями в route-map.



Если MAC ACL, на который ссылается route-map, удаляется или в этом ACL происходит добавление/удаление правил, конфигурация отклоняется.

**Значение по умолчанию:** критерии сравнения не заданы.

**Формат:** `match mac-list mac-list-name [mac-list-name]`

**Режим ввода команд:** конфигурирование route-map

Параметр	Описание
mac-list-name	Имя MAC-списка, которое определяет настраиваемый MAC ACL. Имя MAC ACL может быть длиной до 31 символа.

### *no match mac-list*

Чтобы удалить запись сравнения из route-map, используйте **no**-форму команды.

**Формат:** `no match mac-list [...mac-list-name]`

**Режим ввода команд:** конфигурирование route-map

### *set as-path*

Используйте команду *set as-path* в режиме конфигурирования *route-map*, чтобы добавить одно или несколько AS в AS-путь в BGP-маршрута. Эта команда обычно используется для вставки одного или более экземпляров локального AS в начало атрибута AS\_PATH BGP-маршрута. Это увеличивает длину AS-пути в маршруте. Длина AS-пути оказывает сильное влияние на выбор BGP-маршрута. Изменение длины AS-пути может повлиять на выбор маршрута на локальном маршрутизаторе или на маршрутизаторах, на которых анонсируется этот маршрут.

Если при подготовке входящего маршрута первый сегмент в AS\_PATH принятого маршрута является AS\_SEQUENCE, в начало последовательности вставляется значение *as-path-string*. Если первый сегмент является AS\_SET, значение *as-path-string* добавляется в начало AS-пути в качестве нового сегмента типа AS\_SEQUENCE. При подготовке исходящего маршрута для внешнего партнерского устройства *as-path-string* следует за локальным номером AS, которое всегда является первым ASN.

**Формат:** `set as-path prepend as-path-string`

**Режим ввода команд:** конфигурирование route-map

Параметр	Описание
as-path-string	Список количества AS-путей, добавляемых в начало атрибута AS_PATH для совпадающих BGP маршрутов. Чтобы добавить несколько AS, разделите ASN пробелами и заключите строку в кавычки. Можно добавить до 10 номеров AS.

### *no set as-path*

Используйте **no**-форму команды, чтобы удалить команду *set* из *route-map*.

**Формат:** `no set as-path prepend as-path-string`

**Режим ввода команд:** конфигурирование route-map

## ***set comm-list delete***

Используйте команду *set comm-list delete* в режиме конфигурирования *route-map*, чтобы удалить сообщества BGP из входящего или исходящего сообщения UPDATE. *Route-map*с этой *set*-командой может быть использована для удаления выбранных сообществ из входящих или исходящих маршрутов. Когда список сообществ применяется к маршруту с такой целью, каждое сообщество маршрута заносится в список сообществ поочередно (по одному за раз). Сообщества, разрешенные списком, удаляются из маршрута. Из-за того, что сообщества обрабатываются индивидуально, списки сообществ, используемые для удаления записей с несколькими сообществами, не должны включать опцию *exact-match*. В противном случае записи никогда не будут совпадать с индивидуальным сообществом.

Если запись *route-map* одновременно включает в себя условия *set community* и *set comm-list delete*, в первую очередь обрабатывается условие *set comm-list delete*, а затем условие *set community* (то есть сообщества сначала удаляются, а потом добавляются).

**Формат:** `set comm-list community-list-name delete`

**Режим ввода команд:** конфигурирование *route-map*

<i>Параметр</i>	<i>Описание</i>
<code>community-list-name</code>	Имя стандартного списка сообществ.

## ***no set comm-list***

Чтобы удалить команду *set* из *route-map*, используйте **no**-форму команды.

**Формат:** `no set comm-list`

**Режим ввода команд:** конфигурирование *route-map*

## ***set community***

Используйте команду *set community* в режиме конфигурирования *route-map*, чтобы изменить атрибут сообществ для соответствующих маршрутов. Команда *set community* может быть использована для назначения сообществ маршрутам, созданным через сеть BGP и команды распределения, а также установить сообщества на маршруты, полученные от конкретного соседа или анонсируемые конкретному соседу. Она также может быть использована для удаления всех сообществ из маршрута.

**Формат:** `set community {community-number [additive] | none}`

**Режим ввода команд:** конфигурирование *route-map*

<i>Параметр</i>	<i>Описание</i>
<code>community-number</code>	От 1 до 16 номеров сообществ в виде целых 32-битных чисел или в формате AA:NN. Разделяются пробелами. Привычные значения сообществ по <i>advertise</i> и <i>no-export</i> также можно использовать.
<code>additive</code>	(Необязательный параметр.) Добавление сообщества к тем, что уже прикреплены к маршруту.
<code>none</code>	(Необязательный параметр.) Удаляет все сообщества из соответствующих маршрутов.

## *no set community*

Используйте **no**-форму команды, чтобы удалить условия *set* из *route-map*.

**Формат:** no set community

**Режим ввода команд:** конфигурирование route-map

## ***set interface***

Если администратор сети не хочет возвращаться к нормальной переадресации, а решает отбрасывать пакеты, не соответствующие указанным критериям, в качестве последней записи в карте маршрута требуется настроить запись *set* для маршрутизации пакетов на интерфейс *null 0*. *set interface null0* необходимо настраивать в отдельном правиле. Не следует добавлять его вместе с другим утверждением, имеющим другие условия *match/set*.

**Формат:** set interface null0

**Режим ввода команд:** конфигурирование route-map

## ***set ip next-hop***

Используйте эту команду, чтобы указать ближайший смежный маршрутизатор на пути к месту назначения, к которому требуется переадресовывать пакеты. Если указано несколько IP-адресов, для маршрутизации пакетов используется первый IP-адрес, связанный с текущим подключенным интерфейсом.

Эта команда влияет на все входящие типы пакетов и всегда используется, если настроена. Если настроенный ближайший узел не присутствует в таблице маршрутизации, маршрутизатор присылает соответствующий ARP-запрос.

В записи *route-map* условия *set ip next-hop* и *set ip default next-hop* являются взаимоисключающими. Однако *set ip default next-hop* может быть настроен в отдельной записи *route-map*.

**Формат:** set ip next-hop ip-address [...ip-address]

**Режим ввода команд:** конфигурирование route-map

<b><i>Параметр</i></b>	<b><i>Описание</i></b>
<b>ip-address</b>	IP-адрес соседнего узла, к которому направляются пакеты, должен быть адресом смежного маршрутизатора. В одном условии может быть указано до 16 IP-адресов.

## *no set ip next-hop*

Данная команда удаляет соответствующую команду *set* из *route-map*.

**Формат:** no set ip next-hop ip-address [...ip-address]

**Режим ввода команд:** конфигурирование route-map

## ***set ip default next-hop***

Используйте эту команду, чтобы настроить список IP-адресов ближайших узлов по умолчанию. Если указано несколько IP-адресов, используется первый ближайший узел, который

является смежным с используемым маршрутизатором. Попытки использования дополнительно указанных IP-адресов выполняются по очереди.

Пакет направляется к ближайшему узлу указанному данной командой, только в случае если в таблице маршрутизации не существует явно заданного маршрута для места назначения пакета. Маршрут по умолчанию в таблице маршрутизации не считается заданным маршрутом для неизвестного адреса места назначения.

В записи *route-map* условия *set ip next-hop* и *set ip default next-hop* являются взаимоисключающими. Однако *set ip default next-hop* может быть настроен в отдельной записи *route-map*.

**Формат:** `set ip default next-hop ip-address [...ip-address]`

**Режим ввода команд:** конфигурирование *route-map*

Параметр	Описание
<b>ip-address</b>	IP-адрес соседнего узла, к которому направляются пакеты, должен быть адресом смежного маршрутизатора. В одном условии может быть указано до 16 IP-адресов.

### *no set ip default next-hop*

Данная команда удаляет соответствующую команду *set* из *route-map*.

**Формат:** `no set ip default next-hop ip-address [...ip-address]`

**Режим ввода команд:** конфигурирование *route-map*

### *set ip precedence*

Команда используется для установки трехбитного IP-приоритета в IP-заголовке пакета. Три бита позволяют использовать 8 вариантов значений IP-приоритета: от 0 до 7. Эта команда применяется при реализации QoS и может использоваться другими сервисами QoS, такими как Weighted Fair Queuing (WFQ) и Weighted Random Early Detection (WRED).

**Формат:** `set ip precedence 0-7`

**Режим ввода команд:** конфигурирование *route-map*

Параметр	Описание
<b>0</b>	Устанавливает приоритет распорядка
<b>1</b>	Устанавливает приоритет очередности
<b>2</b>	Устанавливает немедленный приоритет
<b>3</b>	Устанавливает Flash-приоритет
<b>4</b>	Устанавливает приоритет Flash-переопределения
<b>5</b>	Устанавливает критический приоритет
<b>6</b>	Устанавливает приоритет межсетевого управления
<b>7</b>	Устанавливает приоритет управления сетью

### *no set ip precedence*

Используйте эту команду, чтобы установить трехбитный IP-приоритет в IP-заголовке пакета в значение по умолчанию.

**Формат:** `no set ip precedence`

**Режим ввода команд:** конфигурирование route-map

### ***set ipv6 next-hop (BGP)***

Используйте команду *set ipv6 next-hop* в режиме конфигурирования *route-map*, чтобы установить ближайший IPv6-узел на маршруте. Если команда используется в *route-map*, которая применяется к UPDATE-сообщениям, принятым от соседа, она устанавливает ближайший адрес для соответствующих IPv6-маршрутов, полученных от соседа.

Если команда используется в *route-map*, которая применяется к UPDATE-сообщениям, отправленным соседу, то она устанавливает ближайший адрес для соответствующих IPv6-маршрутов, отправленных соседу. Если адрес является локальным адресом подключения, предполагается, что адрес соответствует интерфейсу, где UPDATE-сообщение будет отправлено или получено. Если команда указывает глобальный IPv6-адрес, он не обязательно должен находиться в локальной подсети.

**Формат:** `set ipv6 next-hop ipv6-address`

**Режим ввода команд:** конфигурирование route-map

<i>Параметр</i>	<i>Описание</i>
<code>ipv6-address</code>	Набор IPv6-адресов в качестве сетевого адреса для поля «Next Hop» в атрибуте MP_NLRI UPDATE-сообщения.

### *no set ipv6 next-hop (BGP)*

Используйте **no**-форму команды, чтобы удалить команду **set** из route-map.

**Формат:** `no set ipv6 next-hop`

**Режим ввода команд:** конфигурирование route-map

### ***set local-preference***

Чтобы установить локальный приоритет определенных BGP-маршрутов, используйте команду *set local-preference* в режиме конфигурирования карты маршрута. Локальный приоритет — это первый атрибут, используемый для сравнения BGP-маршрутов. Установка локального приоритета может повлиять на то, какой BGP-маршрут будет выбран в качестве оптимального. При использовании вместе с командой *match as-path* или *match ip address* данная команда может применяться для выбора в качестве приоритетных тех маршрутов, которые направляют определенные AS, или же для выбора локального маршрутизатора как более приоритетной точки выхода для определенных целевых адресов.

**Формат:** `set local-preference value`

**Режим ввода команд:** конфигурирование карты маршрута

<i>Параметр</i>	<i>Описание</i>
<code>value</code>	Значение локального приоритета, от 0 до 4 294 967

### *no set local-preference*

Используйте **no**-форму команды, чтобы удалить команду *set* из карты маршрута.

**Формат:** `no set local-preference value`

**Режим ввода команд:** конфигурирование карты маршрута

### *set metric (BGP)*

Чтобы задать метрику маршрута, используйте команду *set metric* в режиме конфигурирования *route-map*. При использовании в контексте BGP эта команда устанавливает атрибут Multi Exit Discriminator (MED). Когда между двумя автономными системами (AS) используются несколько точек пиринга, установка MED на маршрутах, анонсируемых одним маршрутизатором, может влиять на другую AS так, что передача трафика будет выполняться через конкретного партнера.

**Формат:** `set metric value`

**Режим ввода команд:** конфигурирование *route-map*

Параметр	Описание
value	Значение метрики, от 0 до 4 294 967 295 (любое целое 32-битное число).

### *no set metric (BGP)*

Используйте **no**-форму команды, чтобы удалить команду *set* из *route-map*.

**Формат:** `no set metric value`

**Режим ввода команд:** конфигурирование *route-map*

### *show ip policy*

Эта команда отображает *route-map*, связанные с каждым интерфейсом.

**Формат:** `show ip policy`

**Режим ввода команд:** привилегированный

Параметр	Описание
Interface	Интерфейс
Route-map	Route-map

### *show ip prefix-list*

Эта команда отображает конфигурацию и статус списка префиксов.

**Формат:** `show ip prefix-list [detail | summary] prefix-list-name [network/length] [seq sequence-number] [longer] [first-match]`

**Режим ввода команд:** привилегированный

Параметр	Описание
detail   summary	Интерфейс

<b>prefix-list-name</b>	(Необязательный параметр.) Имя конкретного списка префиксов.
<b>network/length</b>	(Необязательный параметр.) Номер сети и длина маски сети (в битах).
<b>seq</b>	(Необязательный параметр.) Порядковый номер записи списка префиксов.
<b>sequence-number</b>	(Необязательный параметр.) Порядковый номер записи в списке префиксов.
<b>longer</b>	(Необязательный параметр.) Отображает все записи списка префиксов, которые уточняют заданную сеть/длину маски.
<b>first-match</b>	(Необязательный параметр.) Отображает все записи списка префиксов, которые совпадают с заданной сетью/длиной маски.

Ниже перечислены допустимые формы данной команды.

- `show ip prefix-list prefix-list-name network/length first-match`
- `show ip prefix-list prefix-list-name network/length longer show ip prefix-list prefix-list-name network/length`
- `show ip prefix-list prefix-list-name seq sequence-number show ip prefix-list prefix-list-name`
- `show ip prefix-list summary`
- `show ip prefix-list summary prefix-list-name show ip prefix-list detail`
- `show ip prefix-list detail prefix-list-name`

### ***show ipv6 prefix-list***

Эта команда отображает настройку и статус выбранного списка префиксов.

**Формат:** `show ipv6 prefix-list [detail | summary] listname [ipv6-prefix/prefix-length] [seq sequence-number] [longer] [first-match]`

**Режим ввода команд:** привилегированный

<b>Параметр</b>	<b>Описание</b>
<b>detail   summary</b>	(Необязательный параметр.) Позволяет отобразить подробную или сводную информацию о списке префиксов.
<b>list-name</b>	(Необязательный параметр.) Имя конкретного списка префиксов.
<b>ipv6-prefix/prefix-length</b>	(Необязательный параметр.) Номер сети и длина маски сети (в битах).
<b>seq</b>	(Необязательный параметр.) Порядковый номер записи списка префиксов.
<b>sequence-number</b>	(Необязательный параметр.) Порядковый номер записи в списке префиксов.
<b>longer</b>	(Необязательный параметр.) Отображает все записи

	списка префиксов, которые уточняют заданную сеть/длину маски.
<b>first-match</b>	(Необязательный параметр.) Отображает все записи списка префиксов, которые совпадают с заданной сетью/длиной маски.

Ниже перечислены допустимые формы данной команды:

- `show ipv6 prefix-list listname ipv6-prefix/prefix-length first-match`
- `show ipv6 prefix-list listname ipv6-prefix/prefix-length longer show ipv6 prefix-list listname ipv6-prefix/prefix-length`
- `show ipv6 prefix-list listname seq sequence-number show ipv6 prefix-list listname`
- `show ipv6 prefix-list summary`
- `show ipv6 prefix-list summary prefix-list-name show ipv6 prefix-list detail`
- `show ipv6 prefix-list detail prefix-list-name`

Команда отображает следующую информацию.

<i>Параметр</i>	<i>Описание</i>
<b>count</b>	Количество записей в списке префиксов.
<b>range entries</b>	Количество записей, совпадающих с введенным диапазоном.
<b>ref count</b>	Количество записей, ссылающихся на данный список префиксов.
<b>seq</b>	Порядковый номер записи в списке.
<b>permit/deny</b>	Указанное действие.
<b>sequences</b>	Диапазон порядковых номеров для записей в списке.
<b>hit count</b>	Количество совпадений для данной записи префикса.

### ***show route-map***

Используйте команду `show route-map` в привилегированном режиме, чтобы отобразить route-map.

**Формат:** `show route-map [map-name]`

**Режим ввода команд:** привилегированный

<i>Параметр</i>	<i>Описание</i>
<b>map-name</b>	(Необязательный параметр.) Имя заданной route-map..



### ***clear ip prefix-list***

Чтобы сбросить счетчики списка IP-префиксов, используйте команду *clear ip prefix-list* в привилегированном режиме. Эта команда используется, чтобы очистить счетчики совпадений для списка префиксов. Число совпадений указывается для определенной записи списка префиксов.

**Формат:** `clear ip prefix-list [[prefix-list-name] [network/Length]]`

**Режим ввода команд:** привилегированный

<i>Параметр</i>	<i>Описание</i>
<b>prefix-list-name</b>	(Необязательный параметр) Имя списка префиксов, для которого будут сброшены счетчики.
<b>network/length</b>	(Необязательный параметр.) Номер сети и длина маски сети (в битах). Если эта опция указана, счетчики совпадений сбрасываются только для совпадающей записи.

### ***clear ipv6 prefix-list***

Используйте эту команду, чтобы сбросить счетчики совпадений для списка IPv6 префиксов. Число совпадений указывается для определенной записи списка префиксов.

**Формат:** `clear ipv6 prefix-list [prefix-list-name] [ipv6-prefix/prefix-length]`

**Режим ввода команд:** привилегированный

<i>Параметр</i>	<i>Описание</i>
<b>list-name</b>	(Необязательный параметр) Имя списка префиксов, для которого будут сброшены счетчики.
<b>ipv6-prefix/prefix-length</b>	(Необязательный параметр.) Номер IPv6-префикса и длина маски сети (в битах). Если эта опция указана, счетчики совпадений сбрасываются только для совпадающего заявления.

## **10.4 Команды Router Discovery Protocol**

В этой части приведены команды, которые используются для просмотра и настройки параметров Internet Router Discovery Protocol (IRDP) на коммутаторе. Протокол IRDP позволяет узлу обнаружить IP-адреса маршрутизаторов в подсети.

### ***ip irdp***

Эта команда включает протокол IRDP на интерфейсе или диапазоне интерфейсов.

**Значение по умолчанию:** выключено

**Формат:** `ip irdp`

**Режим ввода команд:** конфигурирование интерфейса

### ***no ip irdp***

Команда выключает протокол IRDP на интерфейсе.

**Формат:** no ip irdp  
**Режим ввода команд:** конфигурирование интерфейса

### ***ip irdp address***

Данная команда настраивает адрес, используемый интерфейсом для отправления анонсов обнаружения маршрутизатора. Действительные значения для *ipaddr* — 224.0.0.1, IP-адрес многоадресной рассылки для всех узлов, и 255.255.255.255, ограниченный широковещательный адрес.

**Значение по умолчанию:** 224.0.0.1  
**Формат:** ip irdp address *ipaddr*  
**Режим ввода команд:** конфигурирование интерфейса

### ***no ip irdp address***

Эта команда устанавливает адрес, используемый интерфейсом для отправления анонсов обнаружения маршрутизатора, в значение по умолчанию.

**Формат:** no ip irdp address  
**Режим ввода команд:** конфигурирование интерфейса

### ***ip irdp holdtime***

Эта команда настраивает значение поля *holdtime* (в секундах) для анонсов обнаружения маршрутизатора, отправляемых с данного интерфейса. Диапазон значений — от 4 до 9000 секунд.

**Значение по умолчанию:** утроенное значение максимального интервала  
**Формат:** ip irdp holdtime 4-9000  
**Режим ввода команд:** конфигурирование интерфейса

### ***no ip irdp holdtime***

Команда устанавливает значение в поле *holdtime* (в секундах) для анонсов обнаружения маршрутизатора, отправляемых с данного интерфейса, по умолчанию.

**Формат:** no ip irdp holdtime  
**Режим ввода команд:** конфигурирование интерфейса

### ***ip irdp maxadvertinterval***

Эта команда настраивает максимальное разрешенное время (в секундах) между отправкой анонсов обнаружения маршрутизатора с данного интерфейса. Диапазон значений для *maxadvertinterval* — от 4 до 9000 секунд.

**Значение по умолчанию:** 600  
**Формат:** ip irdp maxadvertinterval 4-1800  
**Режим ввода команд:** конфигурирование интерфейса

### *no ip irdp maxadvertinterval*

Данная команда устанавливает параметр `maxadvertinterval` в значение по умолчанию (в секундах).

**Формат:** `no ip irdp maxadvertinterval`

**Режим ввода команд:** конфигурирование интерфейса

### *ip irdp minadvertinterval*

Эта команда настраивает минимальное разрешенное время (в секундах) между отправкой анонсов обнаружения маршрутизатора с данного интерфейса. Диапазон значений для `minadvertinterval` — от 3 до 1800 секунд.

**Значение по умолчанию:** `0.75 * maxadvertinterval`

**Формат:** `ip irdp minadvertinterval 3-1800`

**Режим ввода команд:** конфигурирование интерфейса

### *no ip irdp minadvertinterval*

Данная команда устанавливает параметр `minadvertinterval` в значение по умолчанию.

**Формат:** `no ip irdp minadvertinterval`

**Режим ввода команд:** конфигурирование интерфейса

### *ip irdp multicast*

Эта команда настраивает IP-адрес места назначения для анонсов обнаружения маршрутизатора как `224.0.0.1`, то есть как адрес по умолчанию. по-форма данной команды настраивает IP-адрес как `255.255.255.255`, чтобы анонсы обнаружения отправлялись на ограниченный широковещательный адрес.

**Формат:** `ip irdp multicast ip address`

**Режим ввода команд:** конфигурирование интерфейса

### *no ip irdp multicast*

По умолчанию анонсы обнаружения маршрутизатора отправляются на адрес `224.0.0.1`. Чтобы они отправлялись на ограниченный широковещательный адрес (`255.255.255.255`), используйте по-форму команды.

**Формат:** `no ip irdp multicast`

**Режим ввода команд:** конфигурирование интерфейса

### *ip irdp preference*

Данная команда настраивает приоритет конкретного адреса в качестве адреса маршрутизатора по умолчанию по отношению к другим адресам маршрутизатора в той же подсети.

**Значение по умолчанию:** `0`

**Формат:** `ip irdp preference -2147483648 to 2147483647`

**Режим ввода команд:** конфигурирование интерфейса

### *no ip irdp preference*

Данная команда устанавливает в значение по умолчанию приоритет конкретного адреса в качестве адреса маршрутизатора по умолчанию по отношению к другим адресам маршрутизатора в той же подсети.

**Формат:** `no ip irdp preference`

**Режим ввода команд:** конфигурирование интерфейса

### *show ip irdp*

Команда отображает информацию протокола IPRDP для всех интерфейсов, конкретного интерфейса или конкретной VLAN. Аргумент *unit/slot/port* относится к физическому или виртуальному интерфейсу маршрутизации. Ключевое слово *vlan* используется для прямого указания идентификатора VLAN на маршрутизирующем VLAN-интерфейсе (вместо формата *unit/slot/port*).

**Формат:** `show ip irdp {unit/slot/port|vlan 1-4093|all}`

**Режим ввода команд:** привилегированный  
пользовательский

<i>Параметр</i>	<i>Описание</i>
<b>Interface</b>	Значение <i>unit/slot/port</i> , которое соответствует физическому или виртуальному интерфейсу маршрутизации.
<b>vlan</b>	Используйте это ключевое слово, чтобы непосредственно указать идентификатор VLAN для маршрутизирующего VLAN-интерфейса вместо формата <i>unit/slot/port</i> .
<b>Ad Mode</b>	Режим анонсирования, который показывает, включено ли обнаружение маршрутизатора на данном интерфейсе.
<b>Dest Address</b>	Целевой IP-адрес анонсов обнаружения маршрутизатора.
<b>Max Int</b>	Максимальный интервал анонсов: максимально допустимое время в секундах между отправкой анонсов обнаружения маршрутизатора с данного интерфейса.
<b>Min Int</b>	Минимальный интервал анонсов: минимально допустимое время в секундах между отправкой анонсов обнаружения маршрутизатора с данного интерфейса.
<b>Hold Time</b>	Период времени в секундах, в течение которого система должна сохранять анонс маршрутизатора, прежде чем удалить его.
<b>Preference</b>	Приоритет конкретного адреса в качестве адреса маршрутизатора по умолчанию по отношению к другим адресам маршрутизатора в той же подсети.

## 10.5 Команды настройки виртуального маршрутизатора

### *ip vrf*

Данная команда создает виртуальный маршрутизатор с указанным именем и выполняет вход в режим конфигурирования виртуального маршрутизатора.

**Значение по умолчанию:** виртуальные маршрутизаторы не заданы

**Формат:** `ip vrf vrf-name`

**Режим ввода команд:** глобальная конфигурация

Параметр	Описание
vrf-name	Имя виртуального маршрутизатора. Строка длиной до 64 символов ASCII.

### *no ip vrf*

Удаляет виртуальный маршрутизатор с указанным названием.

**Формат:** `no ip vrf vrf-name`

**Режим ввода команд:** глобальная конфигурация

### *maximum routes*

Эта команда резервирует количество разрешенных маршрутов и устанавливает максимальное ограничение на количество маршрутов для экземпляра виртуального маршрутизатора в объеме сводной таблицы маршрутизации для данного маршрутизатора (при условии наличия достаточного свободного места в сводной таблице маршрутизации).

**Значение по умолчанию:** ограничено количеством доступных свободных маршрутов.

**Формат:** `maximum routes {limit | warn threshold}`

**Режим ввода команд:** конфигурирование виртуального маршрутизатора

Параметр	Описание
limit	Количество маршрутов для экземпляра виртуального маршрутизатора в сводной таблице маршрутизации. Диапазон значений — от 1 до 4 294 967 295. Если указанное ограничение превышает размер сводной таблицы маршрутизатора, применяется ограничение по действительному размеру.
warn threshold	Значение порога (от 1 до 100) обозначает процент от предельного значения, при котором будет создано соответствующее предупреждение. Если предельное значение не задано, в качестве предельного значения принимается общий объем платформы.

### *no maximum routes*

Эта команда удаляет резервирование для разрешенных маршрутов экземпляра виртуального маршрутизатора и значение порога предупреждений.

**Формат:** `no maximum routes`

**Режим ввода команд:** конфигурирование виртуального маршрутизатора

### ***description***

Данная команда позволяет настроить текст описания для виртуального маршрутизатора.

**Значение по умолчанию:** отсутствует

**Формат:** `description text`

**Режим ввода команд:** конфигурирование виртуального маршрутизатора

<i>Параметр</i>	<i>Описание</i>
<code>text</code>	Текст описания для виртуального маршрутизатора. Длина текста — до 512 ASCII-символов.

### ***no description***

Эта команда удаляет текст описания виртуального маршрутизатора.

**Формат:** `no description`

**Режим ввода команд:** конфигурирование виртуального маршрутизатора

### ***ip vrf forwarding***

Эта команда связывает IP-интерфейс с виртуальным маршрутизатором.

**Значение по умолчанию:** маршрутизатор по умолчанию

**Формат:** `ip vrf forwarding vrf-name`

**Режим ввода команд:** конфигурирование интерфейса

<i>Параметр</i>	<i>Описание</i>
<code>vrf-name</code>	Имя виртуального маршрутизатора.

### ***no ip vrf forwarding***

Эта команда удаляет привязку IP-интерфейса к настроенному виртуальному маршрутизатору и опять связывает его с маршрутизатором по умолчанию.

**Формат:** `no ip vrf forwarding`

**Режим ввода команд:** конфигурирование интерфейса

### ***show ip vrf***

Данная команда отображает информацию об экземплярах виртуального маршрутизатора.

**Значение по умолчанию:** отсутствует

**Формат:** `show ip vrf [{vrf-name | detail vrf-name | interfaces | memory [vrf-name]}]`

**Режим ввода команд:** привилегированный

<i>Параметр</i>	<i>Описание</i>
<code>vrf-name</code>	Название экземпляра виртуального маршрутизатора.
<code>detail</code>	Отображает конфигурацию и статус виртуального

	маршрутизатора.
<b>interfaces</b>	Отображает список интерфейсов и виртуальные маршрутизаторы, с которыми они связаны.
<b>memory</b>	Отображает текущее использование памяти процессами, запущенными на виртуальном маршрутизаторе.

## 10.6 Команды настройки маршрутизации сети VLAN

В этой части описаны команды, которые используются для просмотра и настройки маршрутизации VLAN, а также для просмотра информации о состоянии виртуальной маршрутизации.

### *vlan routing*

Данная команда включает маршрутизацию в сети VLAN. Параметр *vlanid* имеет диапазон от 1 до 4094. Параметр [interface ID] имеет диапазон от 1 до 128. Обычно аргумент идентификатора интерфейса не указывается, и система выбирает идентификатор интерфейса автоматически. Однако если указать идентификатор интерфейса, он станет номером порта в *unit/slot/port* для виртуального интерфейса маршрутизации. Если будет выбран идентификатор интерфейса, который уже используется, CLI выведет сообщение об ошибке и не создаст интерфейс VLAN. При использовании продуктов с конфигурацией на основе текста включение в команду *vlan routing* идентификатора интерфейса в текстовой конфигурации гарантирует, что значение *unit/slot/port* для интерфейса VLAN после перезагрузки останется прежним. Сохранение значения *unit/slot/port* одинаковым гарантирует, что после перезагрузки системы для каждого интерфейса будет применена правильная конфигурация.

**Формат:** `vlan routing vlanid [interface ID]`

**Режим ввода команд:** конфигурация VLAN

### *no vlan routing*

Эта команда выключает маршрутизацию в сети VLAN.

**Формат:** `no vlan routing vlanid`

**Режим ввода команд:** конфигурация VLAN

Обычно клавишу **<ввода>** нажимают без указания идентификатора интерфейса, и система выбирает идентификатор интерфейса автоматически.

### *interface vlan*

Используйте эту команду, чтобы войти в режим конфигурирования интерфейса для указанной VLAN. Диапазон значений *vlan-id* — от 1 до 4094.

**Формат:** `interface vlan vlan-id`

**Режим ввода команд:** глобальная конфигурация

### *show ip vlan*

Эта команда отображает информацию о маршрутной информации VLAN для всех VLAN с включенной маршрутизацией.

**Формат:** show ip vlan  
**Режим ввода команд:** привилегированный  
пользовательский

<i>Параметр</i>	<i>Описание</i>
<b>MAC Address used by Routing VLANs</b>	MAC-адрес, связанный с Internal Bridge-Router Interface (IBRI). Этот же MAC-адрес используется всеми виртуальными интерфейсами маршрутизации. Он отображается над информацией по каждой VLAN.
<b>VLAN ID</b>	Идентификатор VLAN.
<b>Logical Interface</b>	Логический интерфейс, связанный с виртуальным интерфейсом маршрутизации, в формате unit/slot/port.
<b>IP Address</b>	IP-адрес, связанный с данной VLAN.
<b>Subnet Mask</b>	Маска подсети, связанная с данной VLAN.

## 10.7 Команды настройки протокола VRRP<sup>1</sup>

В этой части приведены команды, которые используются для настройки Virtual Router Redundancy Protocol (VRRP) и для просмотра информации о состоянии VRRP. VRRP помогает обеспечить аварийное переключение и балансировку нагрузки при настройке двух устройств в качестве VRRP-пары.

### *ip vrrp (режим глобальной конфигурации)*

Используйте эту команду в режиме глобальной конфигурации, чтобы включить на маршрутизаторе административный режим VRRP.

**Значение по умолчанию:** отсутствует  
**Формат:** ip vrrp  
**Режим ввода команд:** глобальная конфигурация

### *no ip vrrp*

В режиме глобальной конфигурации команда выключает административный режим VRRP по умолчанию на маршрутизаторе.

**Формат:** no ip vrrp  
**Режим ввода команд:** глобальная конфигурация

### *ip vrrp (режим конфигурирования интерфейса)*

Используйте эту команду в режиме конфигурирования интерфейса, чтобы создать виртуальный маршрутизатор, связанный с интерфейсом или диапазоном интерфейсов. Параметр vrid — это идентификатор виртуального маршрутизатора, который является целым числом от 1 до 255.

---

<sup>1</sup> Данный функционал доступен при наличии лицензии VRRP. Для активации свяжитесь со службой технической поддержки.



**Формат:** `ip vrrp vrid`  
**Режим ввода команд:** конфигурирование интерфейса

*no ip vrrp*

В режиме конфигурирования интерфейса данная команда удаляет виртуальный маршрутизатор, связанный с интерфейсом. Идентификатор виртуального маршрутизатора, *vrid* — это целое число от 1 до 255.

**Формат:** `no ip vrrp vrid`  
**Режим ввода команд:** конфигурирование интерфейса

### ***ip vrrp mode***

Эта команда включает виртуальный маршрутизатор, настроенный на указанном интерфейсе. Включение поля статуса запускает виртуальный маршрутизатор. Параметр *vrid* — это идентификатор виртуального маршрутизатора, который является целым числом от 1 до 255.

**Значение по умолчанию:** выключено  
**Формат:** `ip vrrp vrid mode`  
**Режим ввода команд:** конфигурирование интерфейса

*no ip vrrp mode*

Данная команда выключает виртуальный маршрутизатор, настроенный на указанном интерфейсе. Выключение поля статуса останавливает виртуальный маршрутизатор.

**Формат:** `no ip vrrp vrid mode`  
**Режим ввода команд:** конфигурирование интерфейса

### ***ip vrrp ip***

Эта команда устанавливает значение IP-адреса виртуального маршрутизатора для интерфейса или диапазона интерфейсов. Значение *ipaddr* — это IP-адрес, который будет настроен на интерфейсе для VRRP. Параметр *vrid* — это идентификатор виртуального маршрутизатора, который является целым числом в диапазоне от 1 до 255. Необязательный параметр *[secondary]* может быть использован для назначения IP-адреса в качестве вторичного.

**Значение по умолчанию:** отсутствует  
**Формат:** `ip vrrp vrid ip ipaddr [secondary]`  
**Режим ввода команд:** конфигурирование интерфейса

*no ip vrrp ip*

Используйте эту команду в режиме конфигурирования интерфейса, чтобы удалить с интерфейса значение вторичного IP-адреса. Чтобы удалить первичный IP-адрес, на интерфейсе требуется удалить виртуальный маршрутизатор.

**Формат:** `no ip vrrp vrid ipaddress secondary`  
**Режим ввода команд:** конфигурирование интерфейса

### *ip vrrp accept-mode*

Используйте эту команду, чтобы позволить основному VRRP-узлу принимать пакеты ping, отправленные по одному из IP-адресов виртуального маршрутизатора.

**Значение по умолчанию:** выключено  
**Формат:** `ip vrrp vrid accept-mode`  
**Режим ввода команд:** конфигурирование интерфейса

### *no ip vrrp accept-mode*

Используйте эту команду, чтобы запретить основному VRRP-узлу принимать пакеты ping, отправленные по одному из IP-адресов виртуального маршрутизатора.

**Формат:** `no ip vrrp vrid accept-mode`  
**Режим ввода команд:** конфигурирование интерфейса

### *ip vrrp authentication*

Эта команда устанавливает значение для подробных данных авторизации на виртуальном маршрутизаторе, настроенном на указанном интерфейсе или диапазоне интерфейсов. Параметр `{none | simple}` указывает тип авторизации для виртуального маршрутизатора, настроенный на указанном интерфейсе. Параметр `[key]` не является обязательным, он необходим только для авторизации с использованием простого текстового пароля. Параметр `vrid` — это идентификатор виртуального маршрутизатора, который является целым числом от 1 до 255.

**Значение по умолчанию:** без авторизации  
**Формат:** `ip vrrp vrid authentication {none | simple key}`  
**Режим ввода команд:** конфигурирование интерфейса

### *no ip vrrp authentication*

Команда устанавливает значение по умолчанию для подробных данных авторизации на виртуальном маршрутизаторе, настроенном на указанном интерфейсе или диапазоне интерфейсов.

**Формат:** `no ip vrrp vrid authentication`  
**Режим ввода команд:** конфигурирование интерфейса

### *ip vrrp preempt*

Эта команда устанавливает режим `preemption` на настраиваемом виртуальном маршрутизаторе указанного интерфейса или диапазона интерфейсов. Параметр `vrid` — это идентификатор виртуального маршрутизатора, целое число от 1 до 255.

**Значение по умолчанию:** включено  
**Формат:** `ip vrrp vrid preempt`  
**Режим ввода команд:** конфигурирование интерфейса

### *no ip vrrp preempt*

Команда возвращает режим `preemption` на настраиваемом виртуальном маршрутизаторе указанного интерфейса или диапазона интерфейсов в значение по умолчанию.

**Формат:** `no ip vrrp vrid preempt`  
**Режим ввода команд:** конфигурирование интерфейса

### ***ip vrrp priority***

Эта команда устанавливает приоритет маршрутизатора в рамках VRRP-группы. Может использоваться для настройки интерфейса или диапазона интерфейсов. Чем больше значения, тем выше приоритет. Диапазон — от 1 до 254. Параметр `vrid` — это идентификатор виртуального маршрутизатора в диапазоне от 1 до 255.

Маршрутизатор с более высоким приоритетом назначается главным. Если маршрутизатор настроен с адресом, который используется как адрес виртуального маршрутизатора, он называется «владельцем адреса». Приоритет владельца адреса всегда 255, поэтому владелец адреса всегда является главным маршрутизатором. Если приоритет главного маршрутизатора менее 255 (то есть это не владелец адреса), а приоритет другого маршрутизатора в группе имеет более высокое значение, другой маршрутизатор станет главным только в том случае, если включен режим `preemption`.

**Значение по умолчанию:** 100; для владельца адреса значение автоматически устанавливается как 255.

**Формат:** `ip vrrp vrid priority 1-254`  
**Режим ввода команд:** конфигурирование интерфейса

### ***no ip vrrp priority***

Команда устанавливает приоритет виртуального маршрутизатора, настроенного на указанном интерфейсе или диапазоне интерфейсов, в значение по умолчанию.

**Формат:** `no ip vrrp vrid priority`  
**Режим ввода команд:** конфигурирование интерфейса

### ***ip vrrp timers advertise***

Эта команда устанавливает частоту (в секундах), с которой интерфейс или диапазон интерфейсов на указанном виртуальном маршрутизаторе отправляет анонсы виртуального маршрутизатора.

**Значение по умолчанию:** 1  
**Формат:** `ip vrrp vrid timers advertise 1-255`  
**Режим ввода команд:** конфигурирование интерфейса

### ***no ip vrrp timers advertise***

Эта команда устанавливает частоту анонсов виртуального маршрутизатора для интерфейса или диапазона интерфейсов в значение по умолчанию.

**Формат:** `no ip vrrp vrid timers advertise`  
**Режим ввода команд:** конфигурирование интерфейса

### ***ip vrrp track interface***

Используйте эту команду, чтобы менять приоритет VRRP-маршрутизатора на основе доступности его интерфейсов. Команда применяется для отслеживания интерфейсов, которые не настроены для VRRP. Отслеживаются только IP-интерфейсы. Отслеживаемый интерфейс работает, если доступен IP-адрес этого интерфейса. В противном случае отслеживаемый интерфейс считается выключенным. Данную команду можно использовать, чтобы настроить один интерфейс или диапазон интерфейсов. Аргумент *unit/slot/port* относится к физическому или виртуальному интерфейсу маршрутизации. Ключевое слово *vlan* используется для прямого указания идентификатора VLAN на маршрутизирующем VLAN-интерфейсе (вместо формата *unit/slot/port*).

Когда отслеживаемый интерфейс выключен или удален с маршрутизатора, приоритет VRRP-маршрутизатора будет уменьшен на величину, указанную в аргументе *priority*. Когда интерфейс снова станет доступен для IP-протокола, приоритет будет повышен на величину аргумента *priority*.

Настроенный VRRP-интерфейс может отслеживать несколько интерфейсов. Если отслеживаемый интерфейс выключается, приоритет маршрутизатора понижается на 10 единиц (шаг по умолчанию) за каждый выключенный интерфейс. Шаг изменения приоритета по умолчанию изменяется с помощью аргумента *priority*. Приоритет виртуального маршрутизатора по умолчанию — 100, а шаг изменения приоритета по умолчанию — 10. По умолчанию интерфейсы не отслеживаются. Если указать только интерфейс для отслеживания, не указывая необязательное значение приоритета, для интерфейса устанавливается приоритет по умолчанию. Шаг изменения приоритета по умолчанию — 10.

**Значение по умолчанию:** приоритет: 10

**Формат:** `ip vrrp vrid track interface {unit/slot/port|vlan 1-4093} [decrement priority]`

**Режим ввода команд:** конфигурирование интерфейса

### ***no ip vrrp track interface***

Используйте эту команду, чтобы удалить интерфейс или диапазон интерфейсов из списка отслеживаемых или восстановить шаг изменения приоритета в значение по умолчанию.

**Формат:** `no ip vrrp vrid track interface {unit/slot/port|vlan 1-4093} [decrement]`

**Режим ввода команд:** конфигурирование интерфейса

### ***ip vrrp track ip route***

Данная команда позволяет отслеживать доступность маршрута на интерфейсе или диапазоне интерфейсов. Если отслеживаемый маршрут удален, VRRP-маршрутизатора будет уменьшен на величину, указанную в аргументе *priority*. Если маршрут добавляется, приоритет будет увеличен согласно значению того же аргумента.

Настроенный VRRP интерфейс может отслеживать несколько маршрутов. Если отслеживаемый маршрут оказывается недоступным, приоритет маршрутизатора понижается на 10 единиц (шаг по умолчанию) за каждый недоступный маршрут. По умолчанию маршруты не отслеживаются. Если указать только маршрут для отслеживания, не указывая необязательное значение приоритета, устанавливается приоритет по умолчанию. Шаг изменения приоритета по

умолчанию — 10. Шаг изменения приоритета по умолчанию изменяется с помощью аргумента `priority`.

**Значение по умолчанию:** приоритет: 10

**Формат:** `ip vrrp vrid track ip route ip-address/prefix-length [decrement priority]`

**Режим ввода команд:** конфигурирование интерфейса

*no ip vrrp track ip route*

Используйте эту команду, чтобы удалить маршрут из списка отслеживаемых или восстановить шаг изменения приоритета в значение по умолчанию. При удалении недоступного IP-маршрута из списка отслеживаемых приоритет должен быть увеличен на соответствующее значение.

**Формат:** `no ip vrrp vrid track interface unit/slot/port [decrement]`

**Режим ввода команд:** конфигурирование интерфейса

### ***show ip vrrp interface stats***

Данная команда отображает статистику каждого виртуального маршрутизатора, настроенного на коммутаторе. Аргумент `unit/slot/port` относится к физическому или виртуальному интерфейсу маршрутизации. Ключевое слово `vlan` используется для прямого указания идентификатора VLAN на маршрутизирующем VLAN-интерфейсе (вместо формата `unit/slot/port`).

**Формат:** `show ip vrrp interface stats {unit/slot/port|vlan 1-4093} vrid`

**Режим ввода команд:** привилегированный  
пользовательский

<b><i>Параметр</i></b>	<b><i>Описание</i></b>
<b>Uptime</b>	Время работы виртуального маршрутизатора с момента включения в днях, часах, минутах и секундах.
<b>Protocol</b>	Протокол, настроенный на интерфейсе.
<b>State Transitioned to Master</b>	Общее количество случаев, когда статус виртуального маршрутизатора был изменен на MASTER
<b>Advertisement Received</b>	Общее количество VRRP-анонсов, полученных этим виртуальным маршрутизатором.
<b>Advertisement Interval Errors</b>	Общее количество полученных VRRP-анонсов, для которых интервал анонсирования отличался от значения, настроенного для этого виртуального маршрутизатора.
<b>Authentication Failure</b>	Общее количество полученных VRRP-пакетов, которые не прошли проверку аутентификации.
<b>IP TTL errors</b>	Общее количество VRRP-пакетов, полученных виртуальным маршрутизатором, в которых IP TTL не было равно 255.
<b>Zero Priority Packets Received</b>	Общее количество VRRP-пакетов, полученных виртуальным маршрутизатором с приоритетом 0.
<b>Zero Priority Packets Sent</b>	Общее количество VRRP-пакетов, отправленных виртуальным маршрутизатором с приоритетом 0.
<b>Invalid Type Packets Received</b>	Общее количество VRRP-пакетов, полученных вирту-

	альным маршрутизатором с недействительным значением поля <code>type</code> .
<b>Address List Errors</b>	Общее количество полученных VRRP-пакетов, для которых список адресов не соответствует локально настроенному списку данного виртуального маршрутизатора.
<b>Invalid Authentication Type</b>	Общее количество полученных VRRP-пакетов с неизвестным типом аутентификации.
<b>Authentication Type Mismatch</b>	Общее количество полученных VRRP-анонсов с параметром <code>auth type</code> , не равным локально настроенному типу аутентификации виртуального маршрутизатора.
<b>Packet Length Errors</b>	Общее количество полученных VRRP-пакетов с длиной пакета менее длины VRRP-заголовка.

### ***show ip vrrp***

Эта команда отображает, включены ли на коммутаторе функции VRRP. Она также выводит некоторые глобальные параметры, необходимые для мониторинга. Дополнительные опций у команды нет.

**Формат:** `show ip vrrp`  
**Режим ввода команд:** привилегированный  
пользовательский

<b><i>Параметр</i></b>	<b><i>Описание</i></b>
<b>VRRP Admin Mode</b>	Административный режим VRRP-функционала на коммутаторе.
<b>Router Checksum Errors</b>	Общее количество VRRP-пакетов, полученных с неверным значением контрольной суммы VRRP.
<b>Router Version Errors</b>	Общее количество полученных VRRP-пакетов с неизвестным или не поддерживаемым номером версии.
<b>Router VRID Errors</b>	Общее количество полученных VRRP-пакетов с неверным значением VRID для этого виртуального маршрутизатора.

### ***show ip vrrp interface***

Эта команда отображает всю конфигурационную информацию и статистику VRRP-маршрутизатора для виртуального маршрутизатора, настроенного на указанном интерфейсе. Аргумент `unit/slot/port` относится к физическому или виртуальному интерфейсу маршрутизации. Ключевое слово `vlan` используется для указания идентификатора VLAN на маршрутизирующем VLAN-интерфейсе (вместо формата `unit/slot/port`). Используйте вывод команды, чтобы проверить настройки отслеживаемого интерфейса или IP-маршрута.

**Формат:** `show ip vrrp interface {unit/slot/port|vlan 1-4093} vrid`  
**Режим ввода команд:** привилегированный  
пользовательский

<b><i>Термин</i></b>	<b><i>Значение</i></b>
<b>IP Address</b>	Настроенный IP-адрес виртуального маршрутизатора.

<b>VMAC address</b>	VMAC-адрес указанного маршрутизатора.
<b>Authentication type</b>	Тип аутентификации указанного виртуального маршрутизатора.
<b>Priority</b>	Значение приоритета указанного виртуального маршрутизатора с учетом всех снижений приоритета на основании отслеживаемых интерфейсов или маршрутов.
<b>Configured Priority</b>	Приоритет, настроенный с помощью команды <code>ip vrrp vrid priority 1-254</code> .
<b>Advertisement interval</b>	Интервал анонсирования в секундах для указанного виртуального маршрутизатора.
<b>Pre-Empt Mode</b>	Режим preemption, настроенный на указанном маршрутизаторе.
<b>Administrative Mode</b>	Статус указанного маршрутизатора (Enable или Disable).
<b>Accept Mode</b>	Если включен, основной узел VRRP может принимать пакеты ping, отправленные по одному из IP-адресов виртуального маршрутизатора.
<b>State</b>	Статус виртуального маршрутизатора (Master/backup).

### ***show ip vrrp interface brief***

Эта команда отображает информацию о каждом виртуальном маршрутизаторе, настроенном на коммутаторе. Дополнительных опций у команды нет. Она отображает информацию для каждого виртуального маршрутизатора.

**Формат:** `show ip vrrp interface brief`

**Режим ввода команд:** привилегированный  
пользовательский

<b>Термин</b>	<b>Значение</b>
<b>Interface</b>	Интерфейс в формате unit/slot/port
<b>VRID</b>	Идентификатор виртуального маршрутизатора.
<b>IP Address</b>	IP-адрес виртуального маршрутизатора.
<b>Mode</b>	Указывает, включен или выключен виртуальный маршрутизатор.
<b>State</b>	Статус виртуального маршрутизатора (Master/backup).

## **10.8 Команды настройки протокола VRRPv3**

Протокол VRRPv3 обеспечивает резервирование адресов маршрутизатора (как для IPv4, так и для IPv6). Поддержка VRRPv3 аналогична поддержке VRRP. Основные различия между версиями протокола представлены в следующей таблице.

<b>VRRPv2</b>	<b>VRRPv3</b>
Поддержка резервирования IPv4-адресов	Поддержка резервирования IPv4- и IPv6-адресов
Поддержка аутентификации	Без поддержки аутентификации
Не работает с link-local адресами	Поддерживается работа с link-local IPv6-адресами

Интервал отправки VRRP задается в секундах	Интервал отправки VRRP-анонсов задается в сантисекундах(0,01 секунды).
Формат MAC-адреса VRRP — 00-00-5E-00-01-{VRID}	Формат MAC-адреса для IP-адресов IPv6 VR — 00-00-5E-00-02-{VRID}
Реализация SNMP MIB основана на RFC 2787. Используются 32-битные счетчики.	Реализация SNMP MIB основана на RFC 6527. Используются 64-битные счетчики

### ***fhrp version vrrp v3***

Чтобы включить на устройстве поддержку конфигурации протокола VRRP версии 3 (VRRPv3), выполните команду `fhrp version vrrp v3` в режиме глобальной конфигурации.

При включении VRRPv3 протокол VRRP версии 2 (VRRPv2) становится недоступным. После выполнения команды по `fhrp version vrrp v3` поддержка VRRPv3 выключается, включается версия VRRPv2. Кроме того, эта команда выполняет сброс оперативных данных и применяет конфигурацию VRRPv2. Аналогичные процессы происходят при выполнении команды по `ip vrrp` во время использования VRRPv2.

**Значение по умолчанию:** выключено  
**Формат:** `fhrp version vrrp v3`  
**Режим ввода команд:** глобальная конфигурация

### ***no fhrp version vrrp v3***

Данная команда отключает на устройстве протокол VRRPv3 и включает VRRPv2.

**Формат:** `no fhrp version vrrp v3`  
**Режим ввода команд:** глобальная конфигурация

### ***snmp-server enable traps vrrp***

Эта команда включает отправку SNMP-трапов, определенных в стандартах для VRRPv2 и VRRPv3.

**Значение по умолчанию:** включено  
**Формат:** `snmp-server enable traps vrrp`  
**Режим ввода команд:** глобальная конфигурация

### ***no snmp-server enable traps vrrp***

Данная команда выключает отправку SNMP-трапов, определенных в стандартах для VRRPv2 и VRRPv3.

**Значение по умолчанию:** включено  
**Формат:** `no snmp-server enable traps vrrp`  
**Режим ввода команд:** глобальная конфигурация

### ***vrrp***

Команда `vrrp` позволяет создать группу виртуальных маршрутизаторов VRRPv3 и войти в режим конфигурирования группы VRRPv3.



**Формат:** vrrp group-id address-family {ipv4 | ipv6}

**Режим ввода команд:** конфигурирование интерфейса

Параметр	Описание
group-id	Номер группы виртуальных маршрутизаторов. Диапазон — от 1 до 255.
address-family	Семейство адресов для данной группы VRRP.
ipv4	(Необязательно.) Семейство адресов IPv4.
ipv6	(Необязательно.) Семейство адресов IPv6.

### *no vrrp*

Команда *no vrrp* удаляет указанную группу виртуальных маршрутизаторов VRRPv3. Перед использованием этой команды необходимо выключить виртуальный маршрутизатор, выполнив команду *shutdown* в соответствующем режиме конфигурирования VRRP.

**Формат:** no vrrp group-id address-family {ipv4 | ipv6}

**Режим ввода команд:** конфигурирование интерфейса

### *preempt*

Данная команда позволяет настроить устройство в качестве главного виртуального маршрутизатора для группы VRRP, если его приоритет выше приоритета текущего главного виртуального маршрутизатора.

**Значение по умолчанию:** включено, значение задержки по умолчанию — 0

**Формат:** preempt [delay minimum centiseconds]

**Режим ввода команд:** конфигурирование VRRPv3

Параметр	Описание
delay minimum	Длительность задержки (в сантисекундах), прежде чем устройство отправит анонс о получении статуса главного устройства. Время задержки по умолчанию — 0 сантисекунд. Диапазон: 0–3600 сантисекунд.

### *no preempt*

Данная команда запрещает устройству, приоритет которого выше приоритета текущего главного виртуального маршрутизатора, становиться главным виртуальным маршрутизатором.

**Формат:** no preempt [delay minimum centiseconds]

**Режим ввода команд:** конфигурирование VRRPv3

### *accept-mode*

Данная команда устанавливает режим, в котором главный маршрутизатор будет принимать пакеты, отправленные на виртуальные IP-адреса других владельцев (не принадлежащие ему), как свои пакеты.

**Значение по умолчанию:** выключено

**Формат:** accept-mode

**Режим ввода команд:** конфигурирование VRRPv3

### *no accept-mode*

Команда возвращает режим приема пакетов на виртуальные IP-адреса в значение по умолчанию.

**Формат:** no accept-mode

**Режим ввода команд:** конфигурирование VRRPv3

### *priority*

Эта команда задает приоритет устройства в группе VRRPv3. Значение приоритета определяет, какое устройство становится главным виртуальным маршрутизатором.

**Значение по умолчанию:** 100

**Формат:** priority level

**Режим ввода команд:** конфигурирование VRRPv3

<i>Параметр</i>	<i>Описание</i>
level	Приоритет устройства в группе VRRPv3. Диапазон — от 1 до 254. Значение по умолчанию: 100.

### *no priority*

Команда устанавливает приоритет устройства в значение по умолчанию.

**Формат:** priority

**Режим ввода команд:** конфигурирование VRRPv3

### *timers advertise*

Используйте эту команду, чтобы установить интервал между последовательными анонсами, отправляемыми главным виртуальным маршрутизатором в группе VRRP. Чтобы восстановить значение по умолчанию, применяется по-форма этой команды.

Анонсы, отправляемые главным виртуальным маршрутизатором, содержат интервал анонсирования, состояние и приоритет текущего главного виртуального маршрутизатора. Интервал между последовательными анонсами - это время, по истечении которого другие маршрутизаторы будут считать главный маршрутизатор недоступным. Резервные VRRP-маршрутизаторы изучают соответствующие значения из анонсов главного маршрутизатора. Значения интервалов, настроенные на главном маршрутизаторе, всегда переопределяют любые другие интервалы оценки работоспособности, определенные на резервных VRRP-маршрутизаторах.

**Значение по умолчанию:** 100

**Формат:** timers advertise centiseconds

**Режим ввода команд:** конфигурирование VRRPv3

<i>Параметр</i>	<i>Описание</i>
centiseconds	Интервал между последовательными анонсами глав-

	ного виртуального маршрутизатора. Значение устанавливается в сантисекундах. Диапазон допустимых значений: 1–4095 сантисекунд .
--	--

### *no timers advertise*

Данная команда устанавливает интервал между анонсами в значение по умолчанию.

**Формат:** no timers advertise  
**Режим ввода команд:** конфигурирование VRRPv3

### *shutdown*

Команда shutdown выключает конфигурацию VRRP-группы на данном маршрутизаторе.

**Формат:** shutdown  
**Режим ввода команд:** конфигурирование VRRPv3

### *no shutdown*

Выполните команду no shutdown, чтобы обновить состояние виртуального маршрутизатора после завершения конфигурирования.

**Формат:** no shutdown  
**Режим ввода команд:** конфигурирование VRRPv3

### *address*

Эта команда устанавливает первичный или вторичный IP-адрес устройства внутри группы VRRPv3. Чтобы удалить вторичный адрес, используйте по-форму этой команды.

Если параметр primary или secondary не указан, указанный IP-адрес будет установлен как первичный. Первичный виртуальный IPv6-адрес должен быть только адресом link-local. Если в качестве первичного IP-адреса VRRP указывается глобальный IPv6-адрес, возвращается ошибка со следующим текстом: «Error! Primary virtual IPv6 address should be a link-local address only». Удаление первичного виртуального IP-адреса (как IPv4, так и IPv6) не разрешается. Первичный виртуальный IP-адрес виртуального маршрутизатора можно только изменить. Вторичный виртуальный IP-адрес можно удалить с помощью по-формы данной команды. В силу требований протокола VRRPv3 для IPv6 для функционирования группы необходимо настроить первичный виртуальный IPv6-адрес link-local. После добавления в группу первичного link-local IPv6-адреса можно добавить глобальные адреса в качестве вторичных.

**Формат:** address ip-address [primary | secondary]  
**Режим ввода команд:** конфигурирование VRRPv3

<i>Параметр</i>	<i>Описание</i>
<b>ip-address</b>	IPv4- или IPv6-адрес, может быть указан в одном из следующих форматов: <i>ipv4-address</i> , <i>ipv6-link-local-address</i> , <i>ipv6-address</i> / <i>prefix-len</i> .
<b>primary</b>	(Необязательно.) Устанавливает первичный IP-адрес группы VRRPv3.
<b>secondary</b>	(Необязательно.) Устанавливает вторичный IP-адрес

### *no address*

Данная команда удаляет настроенный вторичный IPv4- или IPv6-адрес. Первичный адрес нельзя удалить, его можно только изменить.

**Формат:** `no address ip-address secondary`

**Режим ввода команд:** конфигурирование VRRPv3

### *track interface*

С помощью данной команды можно настроить отслеживание интерфейса устройства в группе VRRPv3. После настройки отслеживания, система будет выводить уведомления при изменении состояния интерфейса. С помощью параметра `decrement` можно задать значение, на которое будет уменьшен приоритет устройства в группе VRRPv3, если интерфейс выключится.

**Значение по умолчанию:** включено

**Формат:** `track interface {unit/slot/port | vlan vlan-id} [decrement number]`

**Режим ввода команд:** конфигурирование VRRPv3

<i>Параметр</i>	<i>Описание</i>
<b>unit/slot/port</b>	Интерфейс для отслеживания.
<b>vlan-id</b>	VLAN для отслеживания.
<b>decrement number</b>	(Необязательно.) Шаг уменьшения приоритета VRRP для отслеживаемого объекта. Число, на которое будет уменьшен приоритет. Диапазон — 1–254.

### *no track interface*

Команда выключает отслеживание интерфейса устройства в группе VRRPv3.

**Значение по умолчанию:** включено.

**Формат:** `no track interface {unit/slot/port | vlan vlan-id} [decrement number]`

**Режим ввода команд:** конфигурирование VRRPv3

### *track ip route*

С помощью данной команды можно настроить отслеживание IP-маршрута для устройства в группе VRRPv3. После настройки отслеживания, система будет выводить уведомления при изменении состояния IP-маршрута. С помощью параметра `decrement` можно задать значение, на которое будет уменьшен приоритет устройства в группе VRRPv3, если маршрут станет недоступным.

**Значение по умолчанию:** выключено

**Формат:** `track ip route ip-address/prefix-len [decrement number]`

**Режим ввода команд:** конфигурирование VRRPv3

<i>Параметр</i>	<i>Описание</i>
-----------------	-----------------

<b>ip-address/prefix-len</b>	Префикс и длина префикса маршрута для отслеживания.
<b>decrement number</b>	(Необязательно.) Шаг уменьшения приоритета VRRP для отслеживаемого объекта. Число, на которое будет уменьшен приоритет. Диапазон — 1–254.

### *no track ip route*

Эта команда выключает отслеживание IP-маршрута.

**Формат:** `no track ip route ip-address/prefix-len [decrement number]`

**Режим ввода команд:** конфигурирование VRRPv3

### *clear vrrp statistics*

Данная команда удаляет статистические данные VRRP для указанного интерфейса устройства в группе VRRPv3 и соответствующего семейства IP-адресов. Если выполнить эту команду без дополнительных параметров, будет удалена глобальная статистика и выполнена перезагрузка всех виртуальных маршрутизаторов (как IPv4, так и IPv6).

Если указаны дополнительные параметры, статистика будет удалена только для виртуальных маршрутизаторов, соответствующих указанным значениям (таким как семейство IP-адресов, интерфейс и идентификатор группы виртуальных маршрутизаторов).

**Формат:** `clear vrrp statistics [{ipv4| ipv6}] {unit/slot/port | vlan vlan-id} vr-id]`

**Режим ввода команд:** привилегированный

<i>Параметр</i>	<i>Описание</i>
<b>ipv4</b>	(Необязательно.) Указывает на то, что группа виртуальных маршрутизаторов принадлежит к семейству адресов IPv4.
<b>ipv6</b>	(Необязательно.) Указывает на то, что группа виртуальных маршрутизаторов принадлежит к семейству адресов IPv6.
<b>unit/slot/port</b>	(Необязательно.) Номер интерфейса, к которой принадлежит виртуальный маршрутизатор.
<b>vlan-id</b>	(Необязательно.) Номер VLAN, к которой принадлежит виртуальный маршрутизатор
<b>vr-id</b>	(Необязательно.) Номер группы виртуальных маршрутизаторов. Диапазон — от 1 до 255.

### *show vrrp*

Используйте эту команду для вывода информации по всем активным группам VRRPv3 (без параметров), всем активным группам VRRPv3, настроенным в семействе адресов IPv4 или IPv6, или активным группам VRRPv3, настроенным в семействе адресов IPv4 или IPv6 для указанного интерфейса.

**Формат:** `show vrrp [{ipv4 | ipv6}] [{unit/slot/port | vlan vlan-id} vr-id]`

**Режим ввода команд:** привилегированный

<i>Параметр</i>	<i>Описание</i>
<b>ipv4</b>	(Необязательно.) Указывает на то, что группа виртуальных маршрутизаторов принадлежит к семейству адресов IPv4.
<b>ipv6</b>	(Необязательно.) Указывает на то, что группа виртуальных маршрутизаторов принадлежит к семейству адресов IPv6.
<b>unit/slot/port</b>	(Необязательно.) Номер интерфейса, к которой принадлежит виртуальный маршрутизатор.
<b>vlan-id</b>	(Необязательно.) Номер VLAN, к которой принадлежит виртуальный маршрутизатор.
<b>vr-id</b>	(Необязательно.) Номер группы виртуальных маршрутизаторов. Диапазон — от 1 до 255.

### ***show vrrp brief***

Данная команда выводит краткую информацию обо всех активных группах VRRPv3.

**Формат:** `show vrrp brief`  
**Режим ввода команд:** привилегированный

<i>Параметр</i>	<i>Описание</i>
<b>Interface</b>	Интерфейс, на котором настроен VRRPv3.
<b>VR</b>	Идентификатор виртуального маршрутизатора.
<b>A-F</b>	Тип семейства IP-адресов (IPv4 или IPv6), к которому принадлежит данный виртуальный маршрутизатор.
<b>Pri</b>	Приоритет виртуального маршрутизатора.
<b>Advintvl</b>	Интервал отправки анонсов, настроенный для данного виртуального маршрутизатора.
<b>Pre</b>	Режим приоритетного прерывания виртуального маршрутизатора.
<b>Acc</b>	Режим приема данного виртуального маршрутизатора.
<b>State</b>	Состояние виртуального маршрутизатора в группе VRRPv3. Может иметь одно из следующих значений: Init (идет инициализация), Backup (резервный), Master (главный)
<b>VR IP address</b>	Виртуальный IP-адрес группы VRRPv3.

### ***show vrrp statistics***

Данная команда выводит статистические данные для указанной группы VRRPv3 или глобальную статистику. Если выполнить данную команду без параметров, будет показана глобальная статистика.

Если параметры заданы, будет показана статистика только для виртуальных маршрутизаторов, соответствующих значениям параметров (таким как семейство IP-адресов, интерфейс и идентификатор группы виртуальных маршрутизаторов).

**Формат:** `show vrrp statistics [{ipv4| ipv6} {unit/slot/port | vlan vlan-id} vrid]`

**Режим ввода команд:** привилегированный

<i>Параметр</i>	<i>Описание</i>
<b>ipv4</b>	(Необязательно.) Указывает на то, что группа виртуальных маршрутизаторов принадлежит к семейству адресов IPv4.
<b>ipv6</b>	(Необязательно.) Указывает на то, что группа виртуальных маршрутизаторов принадлежит к семейству адресов IPv6.
<b>unit/slot/port</b>	(Необязательно.) Номер интерфейса, к которой принадлежит виртуальный маршрутизатор.
<b>vlan-id</b>	(Необязательно.) Номер VLAN, к которой принадлежит виртуальный маршрутизатор.
<b>vr-id</b>	(Необязательно.) Номер группы виртуальных маршрутизаторов. Диапазон — от 1 до 255.

## 10.9 Команды настройки DHCP- и BOOTP-ретрансляторов

В этой части описываются команды для настройки BootP/DHCP-ретрансляторов на коммутаторе. Агент DHCP-ретранслятора работает на уровне 3 и переадресует DHCP-запросы и ответы между клиентами и серверами, которые находятся в разных физических подсетях.

### *bootpdhcprelay cidoptmode*

Эта команда включает опцию Circuit ID для BOOTP/DHCP-ретранслятора в системе.

**Значение по умолчанию:** выключено

**Формат:** `bootpdhcprelay cidoptmode`

**Режим ввода команд:** глобальная конфигурация  
конфигурирование виртуального маршрутизатора

### *no bootpdhcprelay cidoptmode*

Эта команда выключает опцию Circuit ID для BOOTP/DHCP-ретранслятора в системе.

**Формат:** `no bootpdhcprelay cidoptmode`

**Режим ввода команд:** глобальная конфигурация  
конфигурирование виртуального маршрутизатора

### *bootpdhcprelay maxhopcount*

Данная команда настраивает максимальное разрешённое число ретрансляций BootP/DHCP-запросов. Значение hops находится в диапазоне от 1 до 16.

**Значение по умолчанию:** 4

**Формат:** `bootpdhcprelay maxhopcount 1-16`

**Режим ввода команд:** глобальная конфигурация  
конфигурирование виртуального маршрутизатора

### *no bootpdhcprelay maxhopcount*

Эта команда устанавливает максимальное разрешённое число ретрансляций BootP/DHCP-запросов в значение по умолчанию.

**Формат:** `no bootpdhcprelay maxhopcount`  
**Режим ввода команд:** глобальная конфигурация  
конфигурирование виртуального маршрутизатора

### *bootpdhcprelay minwaittime*

Команда настраивает минимальное время ожидания (в секундах) для BootP/DHCP-ретранслятора в системе. Если агент BOOTP-ретранслятора получает BOOTREQUEST-сообщение, он МОЖЕТ использовать значение поля seconds-since-client-began-booting в запросе как аргумент при решении, следует ли транслировать этот запрос. Значение параметра — от 0 до 100 секунд.

**Значение по умолчанию:** 0  
**Формат:** `bootpdhcprelay minwaittime 0-100`  
**Режим ввода команд:** глобальная конфигурация  
конфигурирование виртуального маршрутизатора

### *no bootpdhcprelay minwaittime*

Эта команда устанавливает минимальное время ожидания (в секундах) для BootP/DHCP-ретранслятора в системе в значение по умолчанию.

**Формат:** `no bootpdhcprelay minwaittime`  
**Режим ввода команд:** глобальная конфигурация  
конфигурирование виртуального маршрутизатора

### *bootpdhcprelay serverip*

Для настройки IP-адреса сервера для BootP/DHCP-ретранслятора в системе используется команда функционала *ip helper*. Параметр *ipaddr* — это IP-адрес сервера.

**Значение по умолчанию:** 0.0.0.0  
**Формат:** `ip helper-address ipaddr dhcp`  
**Режим ввода команд:** глобальная конфигурация

### *no bootpdhcprelay serverip*

Эта команда устанавливает IP-адрес сервера для BootP/DHCP-ретранслятора в системе в значение по умолчанию: 0.0.0.0.

**Формат:** `no ip helper-address ipaddr dhcp`  
**Режим ввода команд:** глобальная конфигурация

### *bootpdhcprelay enable*

Для включения ретрансляции DHCP-пакетов используется команда функционала *ip helper*.



**Значение по умолчанию:** выключено  
**Формат:** ip helper enable  
**Режим ввода команд:** глобальная конфигурация

*no bootpdhcprelay enable*

Используйте эту команду, чтобы выключить ретрансляцию DHCP-пакетов.

**Значение по умолчанию:** выключено  
**Формат:** no ip helper enable  
**Режим ввода команд:** глобальная конфигурация

### ***show bootpdhcprelay***

Эта команда отображает информацию BootP/DHCP-ретранслятора для виртуального маршрутизатора. Если маршрутизатор не указан, отображается информация маршрутизатора по умолчанию.

**Формат:** show bootpdhcprelay [vrf vrf-name]  
**Режим ввода команд:** привилегированный  
пользовательский

<i>Параметр</i>	<i>Значение</i>
<b>Maximum Hop Count</b>	Максимальное разрешённое число ретрансляций BootP/DHCP запросов.
<b>Minimum Wait Time (Seconds)</b>	Минимальное время ожидания.
<b>Admin Mode</b>	Показывает, включена или выключена ретрансляция DHCP-запросов.
<b>Circuit Id Option Mode</b>	Режим опции DHCP Circuit ID (enabled или disabled).

### ***show ip bootpdhcprelay***

Данная команда отображает информацию BootP/DHCP-ретранслятора.

**Формат:** show ip bootpdhcprelay  
**Режим ввода команд:** привилегированный  
пользовательский

<i>Параметр</i>	<i>Значение</i>
<b>Maximum Hop Count</b>	Максимальное разрешённое число ретрансляций BootP/DHCP запросов.
<b>Minimum Wait Time (Seconds)</b>	Минимальное время ожидания.
<b>Admin Mode</b>	Показывает, включена или выключена ретрансляция DHCP-запросов.
<b>Circuit Id Option Mode</b>	Режим опции DHCP Circuit ID (enabled или disabled).

## 10.10 Команды настройки IP Helper

В этой части приводятся команды для настройки и мониторинга агента IP Helper. IP Helper выполняет ретрансляцию DHCP и других широковещательных UDP-пакетов от локального клиента к одному или нескольким серверам, которые находятся за пределами сети клиента.

Функция IP Helper представляет собой механизм, позволяющий маршрутизатору направлять определенные широковещательные UDP-пакеты по определенному IP-адресу. Это дает возможность различным приложениям обращаться к серверам в нелокальных подсетях, даже если приложение было разработано в расчете на то, что сервер всегда находится в локальной подсети. Функция также позволяет использовать для доступа к серверу широковещательные пакеты (либо с ограниченным широковещательным адресом 255.255.255.255, либо направленные на сетевой широковещательный адрес).

Администратор сети может настроить записи ретрансляции как на глобальном уровне, так и на интерфейсах маршрутизации. Каждая запись ретрансляции привязывает интерфейс входа и номер UDP-порта места назначения к одному IPv4-адресу (адресу IP Helper). Администратор сети может настроить несколько записей ретрансляции для одного интерфейса и UDP-порта, и в этом случае агент ретранслирует соответствующие пакеты на каждый адрес сервера. Конфигурация интерфейса имеет приоритет над глобальной конфигурацией. Т. е. если UDP-порт места назначения пакета соответствует любой записи на принимающем интерфейсе, пакет обрабатывается в соответствии с конфигурацией интерфейса. Если пакет не совпадает ни с одной записью на принимающем интерфейсе, он обрабатывается в соответствии с глобальной конфигурацией IP Helper.

Администратор сети может настроить записи ретрансляции со значением discard, чтобы система отбрасывала соответствующие пакеты. Discard-записи используются для отбрасывания пакетов, полученных на определенном интерфейсе, когда в соответствии с глобальной записью ретрансляции они были бы переданы. Discard-записи ретрансляции могут быть настроены на интерфейсах, но не на глобальном уровне.

Помимо настройки адреса сервера администратор сети также настраивает, какие UDP-порты можно переадресовывать. Некоторые номера UDP-портов для удобства пользователей могут быть указаны по названию в интерфейсе пользователя, но администратор сети может настроить запись ретрансляции с любым номером UDP-порта. Администратор сети может настроить записи ретрансляции, в которых не указан UDP-порт места назначения. Агент ретрансляции при передаче считает, что эти записи соотносят пакеты с UDP-портами назначения, перечисленными в таблице ниже. Это список портов по умолчанию.

**Порты по умолчанию: номера UDP-портов, указанные в виде масок**

<i>Протокол</i>	<i>Номер UDP-порта</i>
<b>IEN-116 Name Service</b>	42
<b>DNS</b>	53
<b>NetBIOS Name Server</b>	137
<b>NetBIOS Datagram Server</b>	138
<b>TACACS Server</b>	49
<b>Time Service</b>	37
<b>DHCP</b>	67

Система ограничивает количество записей ретрансляции значением, в четыре раза превышающим максимальное количество интерфейсов маршрутизации. Администратор сети может распределять записи ретрансляции по своему усмотрению. Ограничений на количество записей ретрансляции на отдельном интерфейсе и ограничений на количество серверов для отдельной пары {interface, UDP port} не существует.

Агент ретрансляции направляет DHCP-пакеты в обоих направлениях. Он ретранслирует широковещательные пакеты от клиента к одному или нескольким DHCP-серверам, а также пакеты, которые DHCP-сервер одноадресным образом передает обратно к агенту ретрансляции, — к клиентам.

Для остальных протоколов агент ретрансляции передает только широковещательные пакеты от клиента к серверу. Предполагается, что обратные пакеты с сервера в адрес клиента передаются одноадресно и непосредственно клиенту. Поскольку в обратном направлении для других протоколов, кроме DHCP, ретрансляции нет, агент ретрансляции сохраняет IP-адрес источника из исходного пакета клиента. Агент ретрансляции использует локальный IP-адрес в качестве IP-адреса источника для передаваемых клиентских DHCP-пакетов.

Когда коммутатор получает широковещательный UDP-пакет на интерфейс маршрутизации, агент ретрансляции проверяет, настроен ли интерфейс для ретрансляции UDP-порта назначения. Если да, агент ретрансляции одноадресно передает пакет на настроенные IP-адреса сервера. В противном случае агент ретрансляции проверяет, есть ли глобальная конфигурация для UDP-порта назначения. Если да, агент ретрансляции одноадресно передает пакет на настроенные IP-адреса сервера. В противном случае пакет не передается. Обратите внимание, что, если пакет соответствует DISCARD-записи ретрансляции на принимающем интерфейсе, такой пакет отбрасывается вне зависимости от глобальной конфигурации.

Агент ретрансляции передает пакеты, только если они соответствуют следующим условиям.

- MAC-адрес места назначения должен быть единым широковещательным адресом (FF:FF:FF:FF:FF:FF).
- IP-адрес места назначения должен быть ограниченным широковещательным адресом (255.255.255.255) или направленным широковещательный адресом для интерфейса-получателя.
- Время жизни записи (TTL) IP должно быть более 1.
- В поле протокола в IP-заголовке должен быть указан UDP (17).
- UDP-порт места назначения должен совпадать с настроенной записью ретрансляции.

### ***clear ip helper statistics***

Используйте эту команду, чтобы обнулить статистику, отображаемую командой `show ip helper statistics` для указанного виртуального маршрутизатора. Если маршрутизатор не указан, команда выполняется для маршрутизатора по умолчанию.

**Формат:** `clear ip helper statistics [vrf vrf-name]`

**Режим ввода команд:** привилегированный

## *ip helper-address (глобальная конфигурация)*

Используйте эту команду, чтобы настроить ретрансляцию определенных широковещательных UDP-пакетов, получаемых любым интерфейсом. Эта команда может быть выполнена несколько раз для указания нескольких адресов серверов для заданного количества UDP-портов или же для уточнения количества UDP-портов, обрабатываемых определенным сервером.

**Значение по умолчанию:** адреса IP Helper не настроены.

**Формат:** `ip helper-address server-address [dest-udp-port | dhcp | domain | isakmp | mobile-ip | nameserver | netbios-dgm | netbios-ns | ntp | pim-auto-rp | rip | tacacs | tftp | time]`

**Режим ввода команд:** глобальная конфигурация  
конфигурирование виртуального маршрутизатора

<i>Параметр</i>	<i>Описание</i>
<b>server-address</b>	Одноадресный или направленный IPv4-адрес, на который отправляются ретранслируемые широковещательные UDP-пакеты. Адресом сервера не может быть IP-адрес, настроенный на каком-либо интерфейсе локального маршрутизатора
<b>dest-udp-port</b>	Номер UDP-порта места назначения, от 0 до 65 535.
<b>port-name</b>	<p>UDP-порт места назначения может быть дополнительно определен по названию. Указан порт по номеру или по названию, значения не имеет. Имена портов распознаются следующим образом:</p> <ul style="list-style-type: none"> <li>• dhcp (порт 67)</li> <li>• domain (порт 53)</li> <li>• isakmp (порт 500)</li> <li>• mobile-ip (порт 434)</li> <li>• nameserver (порт 42)</li> <li>• netbios-dgm (порт 138)</li> <li>• netbios-ns (порт 137)</li> <li>• ntp (порт 123)</li> <li>• pim-auto-rp (порт 496)</li> <li>• rip (порт 520)</li> <li>• tacacs (порт 49)</li> <li>• tftp (порт 69)</li> <li>• time (порт 37)</li> </ul> <p>Прочие порты нужно указывать по номеру.</p>

## *no ip helper-address (глобальная конфигурация)*

Используйте **no**-форму команды, чтобы удалить запись IP Helper. Команда *no ip helper-address* без указанных аргументов очищает все глобальные адреса IP Helper.

**Формат:** no ip helper-address [server-address [dest-udp-port | dhcp | domain | isakmp | mobile-ip | nameserver | netbios-dgm | netbios-ns | ntp | pim-auto-rp | rip | tacacs | tftp | time]

**Режим ввода команд:** глобальная конфигурация

### ***ip helper-address (конфигурирование интерфейса)***

Используйте эту команду, чтобы настроить ретрансляцию определенных широковещательных UDP-пакетов, получаемых определенным интерфейсом или диапазоном интерфейсов. Эта команда может быть выполнена на интерфейсе маршрутизации несколько раз для указания нескольких адресов серверов для заданного количества портов или же для уточнения количества портов, обрабатываемых определенным сервером.

**Значение по умолчанию:** адреса IP Helper не настроены.

**Формат:** ip helper-address {server-address | discard} [dest-udp-port | dhcp | domain | isakmp | mobile ip | nameserver | netbios-dgm | netbios-ns | ntp | pim-auto-rp | rip | tacacs | tftp | time]

**Режим ввода команд:** конфигурирование интерфейса

<b>Параметр</b>	<b>Описание</b>
<b>server-address</b>	Одноадресный или направленный IPv4-адрес, на который отправляются ретранслируемые широковещательные UDP-пакеты. Адресом сервера не может быть IP-адрес, настроенный на каком-либо интерфейсе локального маршрутизатора
<b>dest-udp-port</b>	Номер UDP-порта места назначения, от 0 до 65 535.
<b>port-name</b>	UDP-порт места назначения может быть дополнительно определен по названию. Указан порт по номеру или по названию, значения не имеет. Имена портов распознаются следующим образом: <ul style="list-style-type: none"> <li>• dhcp (порт 67)</li> <li>• domain (порт 53)</li> <li>• isakmp (порт 500)</li> <li>• mobile-ip (порт 434)</li> <li>• nameserver (порт 42)</li> <li>• netbios-dgm (порт 138)</li> <li>• netbios-ns (порт 137)</li> <li>• ntp (порт 123)</li> <li>• pim-auto-rp (порт 496)</li> <li>• rip (порт 520)</li> <li>• tacacs (порт 49)</li> <li>• tftp (порт 69)</li> <li>• time (порт 37)</li> </ul> Прочие порты нужно указывать по номеру.

### *no ip helper-address (режим конфигурирования интерфейса)*

Используйте данную команду, чтобы удалить запись ретрансляции на интерфейсе. Команда в no-форме без указанных аргументов очищает все адреса IP Helper на интерфейсе.

**Формат:** `no ip helper-address [server-address | discard ][dest-udp-port | dhcp | domain | isakmp | mobile ip | nameserver | netbios-dgm | netbios-ns | ntp | pim-auto-rp | rip| tacacs | tftp | time]`

**Режим ввода команд:** конфигурирование интерфейса

### *ip helper enable*

Используйте данную команду, чтобы включить ретрансляцию UDP-пакетов. Эта команда может быть использована для временного выключения IP Helper без удаления всех его адресов. Эта команда заменяет команду *bootpdhcprelay enable*, но влияет не только на DHCP-пакеты — она также ретранслирует любые другие протоколы, для которых был настроен адрес IP Helper.

**Значение по умолчанию:** выключено

**Формат:** `ip helper enable`

**Режим ввода команд:** глобальная конфигурация  
конфигурирование виртуального маршрутизатора

### *no ip helper enable*

Используйте **no**-форму команды, чтобы выключить ретрансляцию всех UDP-пакетов.

**Формат:** `no ip helper enable`

**Режим ввода команд:** глобальная конфигурация

### *show ip helper-address*

Команда отображает конфигурацию адреса IP Helper на указанном виртуальном маршрутизаторе. Если виртуальный маршрутизатор не указан, отображается конфигурация для маршрутизатора по умолчанию. Аргумент *unit/slot/port* соответствует физическому или виртуальному интерфейсу маршрутизации. Ключевое слово *vlan* используется для прямого указания идентификатора VLAN на маршрутизирующем VLAN-интерфейсе (вместо формата *unit/slot/port*).

**Формат:** `show ip helper-address [vrf vrf-name] [{unit/slot/port|vlan 1-4093}]`

**Режим ввода команд:** привилегированный

<b>Параметр</b>	<b>Описание</b>
<b>interface</b>	Конфигурация ретрансляции применяется к пакетам, поступающим на этот интерфейс. Это поле устанавливается в значение <i>any</i> для глобальных записей IP Helper.
<b>UDP Port</b>	Конфигурация ретрансляции применяется для пакетов с UDP-портами назначения, совпадающими с данным портом. Записи с UDP-портами, идентифицированными как <i>any</i> , применяются к пакетам с целевыми UDP-портами, перечисленными в таблице 4.

<b>Discard</b>	При значении Yes пакеты, прибывающие на данный интерфейс с данным UDP-портом назначения, отбрасываются, а не ретранслируются. Discard-записи используются, чтобы перекрывать глобальные записи адреса IP Helper, которые в противном случае были бы применены к пакету.
<b>Hit Count</b>	Количество случаев, когда запись IP Helper была использована для ретрансляции или отбрасывания пакета.
<b>Server Address</b>	IPv4-адрес сервера, на который ретранслируются пакеты.

### *show ip helper statistics*

Используйте эту команду, чтобы отобразить количество DHCP- и других UDP-пакетов, обрабатываемых и ретранслируемых агентом UDP-ретранслятора на указанном виртуальном маршрутизаторе. Если виртуальный маршрутизатор не указан, отображается конфигурация маршрутизатора по умолчанию.

**Формат:** `show ip helper statistics [vrf vrf-name]`

**Режим ввода команд:** привилегированный

<i>Параметр</i>	<i>Описание</i>
<b>DHCP client messages received</b>	Число действительных сообщений, полученных от DHCP-клиента. Счетчик увеличивается только тогда, когда IP-helper глобально включен, входящий интерфейс маршрутизации доступен и пакет проходит ряд проверок пригодности, например на наличие TTL>1 и действительных адресов источника и адресата.
<b>DHCP client messages relayed</b>	Количество сообщений DHCP-клиента, ретранслированных на сервер. Если сообщение ретранслируется на несколько серверов, счетчик увеличивается на единицу для каждого сервера.
<b>DHCP server messages received</b>	Количество DHCP-ответов, полученных от DHCP-сервера. Этот счетчик включает только те сообщения, которые DHCP-сервер одноадресным образом передает агенту ретрансляции для ретрансляции клиенту.
<b>DHCP server messages relayed</b>	Количество сообщений DHCP-сервера, переданных клиенту.
<b>UDP clients messages received</b>	Количество полученных действительных UDP-пакетов. Это значение включает DHCP-сообщения и все другие ретранслируемые протоколы. Условия аналогичны тем, которые были указаны для первой статистики в этой таблице.
<b>UDP clients messages relayed</b>	Количество ретранслированных UDP-пакетов. Это значение включает в себя ретранслируемые DHCP-сообщения, а также все другие протоколы. Счет увеличивается с каждым сервером, к которому посылается пакет.
<b>DHCP message hop count exceeded max</b>	Количество полученных сообщений DHCP-клиента, в которых счетчики хопов превышали максимально допустимое значение. Максимальное количество хопов является настраиваемым значением, указан-

	ным в show bootpdhcrelay. Для каждого из таких отказов выполняется запись в журнале. Агент DHCP-ретранслятора не перенаправляет такие пакеты.
<b>DHCP message with secs field below min</b>	Количество полученных сообщений DHCP-клиента с полями secs меньше минимально допустимого значения. Минимально допустимое значение является настраиваемым значением и отображается в show bootpdhcrelay. Для каждого из таких отказов выполняется запись в журнале. Агент DHCP-ретранслятора не перенаправляет такие пакеты.
<b>DHCP message with giaddr set to local address</b>	Количество полученных сообщений DHCP-клиента, чьи адреса шлюза, giaddr, уже установлены в значение IP-адреса, настроенного как один из собственных адресов агента ретрансляции. В этом случае другое устройство пытается перехватить адрес агента ретрансляции. Агент ретрансляции не перенаправляет такие пакеты. Подробности каждого такого случая фиксируются в журнале.
<b>Packets with expired TTL</b>	Число пакетов, полученных с TTL, равным 0 или 1, которые в иной ситуации могли бы ретранслированы.
<b>Packets that matched a discard entry</b>	Число пакетов, отброшенных агентом ретрансляции, поскольку они совпали с discard-записью ретрансляции.

## 10.11 Команды настройки протокола OSPF<sup>1</sup>

В этом разделе описаны команды, используемые для просмотра и настройки протокола Open Shortest Path First (OSPF). OSPF — протокол динамической маршрутизации, основанный на технологии отслеживания состояния канала (link-state technology) и использующий для нахождения кратчайшего пути Алгоритм Дейкстры. Протокол OSPF представляет собой протокол внутреннего шлюза (IGP). Протокол OSPF распространяет информацию о доступных маршрутах между маршрутизаторами одной автономной системы.

### **Общие команды настройки OSPF**

#### ***router ospf***

Используйте эту команду, чтобы включить OSPF-маршрутизацию на указанном виртуальном маршрутизаторе и перейти в режим конфигурирования OSPF-маршрутизатора. Если виртуальный маршрутизатор не указан, OSPF-маршрутизация включается на маршрутизаторе по умолчанию.

**Формат:** `router ospf [vrf vrf-name]`

**Режим ввода команд:** глобальная конфигурация

<b>Параметр</b>	<b>Описание</b>
<b>vrf vrf-name</b>	Виртуальный маршрутизатор, на котором будет включена OSPF-маршрутизация.

<sup>1</sup> Данный функционал доступен при наличии лицензии OSPF. Для активации свяжитесь со службой технической поддержки.



## ***enable***

Эта команда устанавливает административный режим OSPF-маршрутизатора в значение по умолчанию (активен).

**Значение по умолчанию:** включено  
**Формат:** enable  
**Режим ввода команд:** конфигурирование OSPF-маршрутизатора

## ***no enable***

Эта команда устанавливает административный режим OSPF-маршрутизатора как неактивный.

**Формат:** no enable  
**Режим ввода команд:** конфигурирование OSPF-маршрутизатора

## ***network area***

Используйте эту команду, чтобы включить OSPFv2 на интерфейсе и установить для него идентификатор зоны, если IP-адрес интерфейса покрывается указанным префиксом.

**Значение по умолчанию:** выключено  
**Формат:** network ip-address wildcard-mask area area-id  
**Режим ввода команд:** конфигурирование OSPF-маршрутизатора

## ***no network area***

Используйте эту команду, чтобы выключить OSPFv2 на интерфейсе, если ранее IP-адрес интерфейса покрывался указанным префиксом.

**Формат:** no network ip-address wildcard-mask area area-id  
**Режим ввода команд:** конфигурирование OSPF-маршрутизатора

## ***1583compatibility***

Эта команда включает совместимость с OSPF 1583.



**Режим совместимости 1583 включен по умолчанию. Если все OSPF-маршрутизаторы в домене маршрутизации могут работать в соответствии с RFC 2328, режим совместимости с OSPF 1583 рекомендуется выключить.**

**Значение по умолчанию:** включено  
**Формат:** 1583compatibility  
**Режим ввода команд:** конфигурирование OSPF-маршрутизатора

## ***no 1583compatibility***

Эта команда выключает совместимость с OSPF 1583.

**Формат:** no 1583compatibility  
**Режим ввода команд:** конфигурирование OSPF-маршрутизатора

### ***area default-cost***

Эта команда настраивает стоимость по умолчанию для stub-зоны. Необходимо указать идентификатор зоны и целое значение от 1 до 16 777 215.

**Формат:** `area areaid default-cost 1-16777215`

**Режим ввода команд:** конфигурирование OSPF-маршрутизатора

### ***area nssa***

Эта команда настраивает зону с указанным идентификатором в качестве NSSA.

**Формат:** `area areaid nssa`

**Режим ввода команд:** конфигурирование OSPF-маршрутизатора

### ***no area nssa***

Эта команда выключает NSSA для указанного идентификатора зоны.

**Формат:** `no area areaid nssa`

**Режим ввода команд:** конфигурирование OSPF-маршрутизатора

### ***area nssa default-info-originate***

Эта команда настраивает значение метрики и тип маршрута по умолчанию, анонсируемый в NSSA. Необязательный параметр `metric` определяет метрику маршрута по умолчанию и должен быть в диапазоне от 1 до 16 777 214. Если метрика не указана, значение по умолчанию — \*\*\*\*. Тип метрики может быть сопоставимым (`nssa-external 1`) или несопоставимым (`nssa-external 2`).

**Формат:** `area areaid nssa default-info-originate [metric] [{comparable | non-comparable}]`

**Режим ввода команд:** конфигурирование OSPF-маршрутизатора

### ***no area nssa default-info-originate***

Команда возвращает тип маршрут по умолчанию, анонсируемый в NSSA, в значение по умолчанию.

**Формат:** `no area areaid nssa default-info-originate [metric] [{comparable | non-comparable}]`

**Режим ввода команд:** конфигурирование OSPF-маршрутизатора

### ***area nssa no-redistribute***

Эта команда настраивает NSSA Area Border router (ABR) так, чтобы полученные внешние маршруты не были перераспределены в NSSA.

**Формат:** `area areaid nssa no-redistribute`

**Режим ввода команд:** конфигурирование OSPF-маршрутизатора

### ***no area nssa no-redistribute***

Эта команда настраивает NSSA Area Border router (ABR) так, чтобы полученные внешние маршруты перераспределялись в NSSA.

**Формат:** `no area areaid nssa no- redistribute`  
**Режим ввода команд:** конфигурирование OSPF-маршрутизатора  
***area nssa no-summary***

Эта команда настраивает NSSA так, что суммированные LSA не анонсируются в NSSA.

**Формат:** `area areaid nssa no-summary`  
**Режим ввода команд:** конфигурирование OSPF-маршрутизатора

***no area nssa no-summary***

Эта команда настраивает NSSA так, что суммированные LSA анонсируются в NSSA.

**Формат:** `no area areaid nssa no-summary`  
**Режим ввода команд:** конфигурирование OSPF-маршрутизатора

***area nssa translator-role***

Данная команда настраивает NSSA в роли транслятора. Значение *always* заставляет маршрутизатор принять роль транслятора, как только он станет пограничным маршрутизатором, а значение *candidate* вынуждает маршрутизатор участвовать в процессе выборов, когда он достигает статуса пограничного маршрутизатора.

**Формат:** `area areaid nssa translator-role {always | candidate}`  
**Режим ввода команд:** конфигурирование OSPF-маршрутизатора

***no area nssa translator-role***

Эта команда выключает роль транслятора для NSSA из указанного идентификатора зоны.

**Формат:** `no area areaid nssa translator-role {always | candidate}`  
**Режим ввода команд:** конфигурирование OSPF-маршрутизатора

***area nssa translator-stab-intv***

Эта команда настраивает *stabilityinterval* для транслятора NSSA. *Stabilityinterval* — это период времени, в течение которого выбранный транслятор продолжает выполнять свои обязанности после определения факта, что его статус транслятора был замещен другим маршрутизатором.

**Значение по умолчанию:** 40  
**Формат:** `area areaid nssa translator-stab-intv stabilityinterval`  
**Режим ввода команд:** конфигурирование OSPF-маршрутизатора

***no area nssa translator-stab-intv***

Эта команда возвращает *stabilityinterval* для транслятора NSSA в значение по умолчанию.

**Формат:** `no area areaid nssa translator-stab-intv stabilityinterval`  
**Режим ввода команд:** конфигурирование OSPF-маршрутизатора

## area range

Используйте команду `area range` в режиме конфигурирования OSPF-маршрутизатора, чтобы настроить общий префикс, который пограничный маршрутизатор зоны будет анонсировать в определенной зоне.

**Значение по умолчанию:** диапазоны маршрутов не настроены; стоимости не настроены.

**Формат:** `area areaid range ip-address netmask {summarylink | nssaexternallink} [advertise | not-advertise] [cost cost]`

**Режим ввода команд:** конфигурирование OSPFv2-маршрутизатора

Параметр	Описание
<b>area-id</b>	Идентификатор зоны для зоны, сети которой будут суммироваться маршруты.
<b>prefix netmask</b>	Анонсируемый суммированный префикс, когда ABR вычисляет маршрут к одной или нескольким сетям в пределах этого префикса в данной зоне.
<b>summarylink</b>	Если указано это ключевое слово, суммированные префиксы анонсируются в LSA типа 3.
<b>nssaexternallink</b>	Если указано это ключевое слово, суммирование маршрутов используется при трансляции LSA типа 7 в LSA типа 5.
<b>advertise</b>	(Необязательный параметр.) Если указано это ключевое слово, суммированный префикс анонсируется, если указанный диапазон маршрутов в зоне активен. Это значение используется по умолчанию.
<b>not-advertise</b>	(Необязательный параметр.) Если указано это ключевое слово, ни суммированные, ни содержащиеся префиксы не анонсируются, если указанный диапазон маршрутов в зоне активен. Если указана опция <code>not-advertise</code> , любые статические значения стоимости, настроенные ранее, удаляются из конфигурации системы.
<b>cost</b>	(Необязательный параметр.) Если указана стоимость, OSPF устанавливает поле метрики суммированных LSA в настроенное значение вместо установки метрики на наибольшую стоимость среди сетей в диапазоне содержащихся префиксов. Статическая стоимость может быть настроена, только если настроено анонсирование суммированных маршрутов. Диапазон — от 0 до 16 777 215. Если стоимость установлена как 16 777 215 для суммирования типа 3, суммированный LSA типа 3 и содержащиеся префиксы не анонсируются. Такое поведение равносильно указанию опции <b>not-advertise</b> . Если суммирование настроено для трансляции LSA типа 7 в LSA типа 5, суммированный LSA типа 5 отправляется, если метрика установлена в значение 16 777 215; однако другие маршрутизаторы не будут рассчитывать маршруты от LSA типа 5 с этой метрикой

### *no area range*

**no**-форма команды удаляет указанный диапазон суммирования маршрутов или возвращает параметр в значение по умолчанию.

**Формат:** `no area areaid range prefix netmask {summarylink | nssaexternallink} [advertise | not- advertise] [cost]`

**Режим ввода команд:** конфигурирование OSPFv2-маршрутизатора

**no**-форма команды может использоваться, чтобы вернуть опцию [advertise | not-advertise] в значение по умолчанию без удаления диапазона префиксов. Удаление и восстановление может побудить OSPF временно анонсировать префиксы, содержащиеся внутри диапазона. Обратите внимание, что использование ключевого слова advertise или not-advertise возвращает конфигурацию в значение по умолчанию.

Также **no**-форма команды может использоваться, чтобы удалить статические значения стоимости для суммированного префикса, чтобы OSPF установил стоимость в наибольшее значение среди содержащихся маршрутов.

### ***area stub***

Эта команда создает stub-зону для указанного идентификатора зоны. Stub-зона характеризуется тем, что внешние AS LSA в ней не распространяются. Удаление внешних AS LSA и сводной LSA может существенно ухудшить состояние связи для базы данных маршрутизаторов в stub-зоне.

**Формат:** `area areaid stub`

**Режим ввода команд:** конфигурирование OSPF-маршрутизатора

### *no area stub*

Эта команда удаляет stub-зону для указанного идентификатора зоны.

**Формат:** `no area areaid stub`

**Режим ввода команд:** конфигурирование OSPF-маршрутизатора

### ***area stub no-summary***

Эта команда настраивает режим stub-зоны, заданной параметром *areaid*, в котором запрещена рассылка LSA типа 3.

**Значение по умолчанию:** выключено

**Формат:** `area areaid stub no-summary`

**Режим ввода команд:** конфигурирование OSPF-маршрутизатора

### *no area stub no-summary*

Команда возвращает режим stub-зоны, заданной параметром *areaid*, в значение по умолчанию.

**Формат:** `no area areaid stub no-summary`

**Режим ввода команд:** конфигурирование OSPF-маршрутизатора

### ***area virtual-link***

Данная команда создает виртуальный интерфейс OSPF для указанного *areaid* и *neighbor*. Параметр *neighbor* — это идентификатор маршрутизатора соседнего устройства.

**Формат:** `area areaid virtual-link neighbor`

**Режим ввода команд:** конфигурирование OSPF-маршрутизатора

### ***no area virtual-link***

Эта команда удаляет виртуальный интерфейс OSPF для указанного интерфейса *areaid* и *neighbor*. Параметр *neighbor* — это идентификатор маршрутизатора соседнего устройства.

**Формат:** `no area areaid virtual-link neighbor`

**Режим ввода команд:** конфигурирование OSPF-маршрутизатора

### ***area virtual-link authentication***

Эта команда настраивает тип аутентификации и ключ для виртуального интерфейса OSPF, указанный как *areaid* и *neighbor*. Параметр *neighbor* — это идентификатор маршрутизатора соседнего устройства. Значение *type* может быть *none*, *simple* или *encrypt*. Значение *key* составляется из стандартных символов. Ключ аутентификации должен содержать 8 байт или меньше, если тип аутентификации простой. Если используется тип *encrypt*, ключ может быть до 16 байт. Неаутентифицированные интерфейсы не нуждаются в ключе аутентификации. Если используется тип *encrypt*, должен быть указан идентификатор ключа в диапазоне от 0 до 255. Значение по умолчанию для типа аутентификации — отсутствует. Как следствие, по умолчанию не настроены ни ключ-пароль, ни идентификатор ключа.

**Значение по умолчанию:** отсутствует

**Формат:** `area areaid virtual-link neighbor authentication {none | {simple key} | {encrypt key keyid}}`

**Режим ввода команд:** конфигурирование OSPF-маршрутизатора

### ***no area virtual-link authentication***

Команда устанавливает тип аутентификации и ключ для виртуального интерфейса OSPF, указанный как *areaid* и *neighbor*, в значение по умолчанию. Параметр *neighbor* — это идентификатор маршрутизатора соседнего устройства.

**Формат:** `no area areaid virtual-link neighbor authentication`

**Режим ввода команд:** конфигурирование OSPF-маршрутизатора

### ***area virtual-link dead-interval***

Эта команда настраивает «dead interval» для виртуального интерфейса OSPF, определяемом *areaid* и *neighbor*. Параметр *neighbor* — то идентификатор маршрутизатора соседнего устройства. Диапазон значений для *seconds* составляет 1–65 535 секунд.

**Значение по умолчанию:** 40

**Формат:** `area areaid virtual-link neighbor dead-interval seconds`

**Режим ввода команд:** конфигурирование OSPF-маршрутизатора

### *no area virtual-link dead-interval*

Команда устанавливает значение «dead interval» по умолчанию для виртуального интерфейса OSPF.

**Формат:** `no area areaid virtual-link neighbor dead-interval`

**Режим ввода команд:** конфигурирование OSPF-маршрутизатора

### *area virtual-link hello-interval*

Эта команда настраивает интервал «hello» для виртуального интерфейса OSPF, определяемом *areaid* и *neighbor*. Параметр *neighbor* — это идентификатор маршрутизатора соседнего устройства. Диапазон значений для *seconds* — от 1 до 65 535.

**Значение по умолчанию:** 10

**Формат:** `area areaid virtual-link neighbor hello-interval 1-65535`

**Режим ввода команд:** конфигурирование OSPF-маршрутизатора

### *no area virtual-link hello-interval*

Команда устанавливает интервал «hello» для виртуального интерфейса OSPF в значение по умолчанию.

**Формат:** `no area areaid virtual-link neighbor hello-interval`

**Режим ввода команд:** конфигурирование OSPF-маршрутизатора

### *area virtual-link retransmit-interval*

Данная команда настраивает интервал повторной передачи для виртуального интерфейса OSPF, определяемом *areaid* или *neighbor*. Параметр *neighbor* — это идентификатор маршрутизатора соседнего устройства. Диапазон значений для *seconds* — от 0 до 3600.

**Значение по умолчанию:** 5

**Формат:** `area areaid virtual-link neighbor retransmit-interval seconds`

**Режим ввода команд:** конфигурирование OSPF-маршрутизатора

### *no area virtual-link retransmit-interval*

Эта команда устанавливает интервал повторной передачи для виртуального интерфейса OSPF на виртуальном интерфейсе в значение по умолчанию.

**Формат:** `no area areaid virtual-link neighbor retransmit-interval`

**Режим ввода команд:** конфигурирование OSPF-маршрутизатора

### *area virtual-link transmit-delay*

Данная команда настраивает задержку передачи для виртуального интерфейса OSPF, определяемом *areaid* или *neighbor*. Параметр *neighbor* — это идентификатор маршрутизатора соседнего устройства. Диапазон значений для *seconds* — от 0 до 3600 (1 час).

**Значение по умолчанию:** 1

**Формат:** `area areaid virtual-link neighbor transmit-delay seconds`

**Режим ввода команд:** конфигурирование OSPF-маршрутизатора

### *no area virtual-link transmit-delay*

Эта команда устанавливает задержку передачи для виртуального интерфейса OSPF в значение по умолчанию.

**Формат:** `no area areaid virtual-link neighbor transmit-delay`

**Режим ввода команд:** конфигурирование OSPF-маршрутизатора

### ***auto-cost***

По умолчанию OSPF рассчитывает стоимость соединения для каждого интерфейса на основании пропускной способности интерфейса. Быстрые соединения имеют более низкие метрики, что повышает их приоритет при выборе маршрута. Параметры настройки в командах *auto-cost reference-bandwidth* и *bandwidth* предоставляют возможность управлять стоимостью соединения по умолчанию. Можно настроить для OSPF пропускную способность интерфейса независимо от фактической скорости соединения. Второй параметр настройки позволяет контролировать соотношение пропускной способности интерфейса к стоимости соединения. Стоимость соединения рассчитывается как соотношение эталонной пропускной способности к пропускной способности интерфейса (*ref\_bw / interface bandwidth*), при этом пропускная способность интерфейса устанавливается командой *bandwidth*. Поскольку по умолчанию эталонная пропускная способность составляет 100 Мбит/с, OSPF использует одинаковую стоимость соединения по умолчанию для всех интерфейсов, пропускная способность которых равна или более 100 Мбит/с. Команда *auto-cost* позволяет изменить эталонную пропускную способность, указав ее значение в Мбит/с. Значение эталонной пропускной способности может быть от 1 до 4 294 967 Мбит/с.

**Значение по умолчанию:** 100 Мбит/с

**Формат:** `auto-cost reference-bandwidth 1-4294967`

**Режим ввода команд:** конфигурирование OSPF-маршрутизатора

### *no auto-cost reference-bandwidth*

Используйте эту команду, чтобы установить эталонную пропускную способность в значение по умолчанию.

**Формат:** `no auto-cost reference-bandwidth`

**Режим ввода команд:** конфигурирование OSPF-маршрутизатора

### ***capability opaque***

Используйте эту команду для включения на маршрутизаторе функционала Opaque Capability. Информация, содержащаяся в Opaque LSA, может быть использована непосредственно протоколом OSPF или косвенно приложением, которое будет распространять информацию по всему домену OSPF. Система поддерживает хранение и распространение Opaque LSA различных диапазонов действия. Значение по умолчанию *enabled* обозначает, что по умолчанию OSPF будет переадресовывать Opaque LSA.

**Значение по умолчанию:** включено



**Формат:** `carability oraque`  
**Режим ввода команд:** конфигурирование OSPF-маршрутизатора

### *no carability oraque*

Используйте эту команду для выключения на маршрутизаторе функционала Oraque Carability.

**Формат:** `no carability oraque`  
**Режим ввода команд:** конфигурирование OSPF-маршрутизатора

### *clear ip ospf*

Используйте данную команду, чтобы выключить и перезапустить OSPF для указанного виртуального маршрутизатора. Если виртуальный маршрутизатор не указан, OSPF выключается и перезапускается на маршрутизаторе по умолчанию.

**Формат:** `clear ip ospf [vrf vrf-name]`  
**Режим ввода команд:** привилегированный

### *clear ip ospf configuration*

Используйте данную команду, чтобы сбросить конфигурацию OSPF для указанного виртуального маршрутизатора до заводских настроек. Если виртуальный маршрутизатор не указан, сброс выполняется на маршрутизаторе по умолчанию.

**Формат:** `clear ip ospf configuration [vrf vrf-name]`  
**Режим ввода команд:** привилегированный

### *clear ip ospf counters*

Данная команда позволяет сбросить глобальную статистику и статистику интерфейса для указанного виртуального маршрутизатора. Если виртуальный маршрутизатор не указан, сброс статистики выполняется для маршрутизатора по умолчанию.

**Формат:** `clear ip ospf counters`  
**Режим ввода команд:** привилегированный

### *clear ip ospf neighbor*

Используйте эту команду, чтобы сбросить настройки смежности со всеми OSPF-соседями для указанного виртуального маршрутизатора. На каждый соседний интерфейс отправляется одностороннее сообщение «Hello». После этого настройки смежности можно переустановить. Если маршрутизатор не указан, смежность со всеми OSPF-соседями сбрасывается для маршрутизатора по умолчанию. Чтобы сбросить смежность с определенным маршрутизатором, необходимо указать идентификатор соседнего маршрутизатора, используя необязательный параметр [*neighbor-id*].

**Формат:** `clear ip ospf neighbor [ vrf vrf-name] [neighbor-id]`  
**Режим ввода команд:** привилегированный

### *clear ip ospf neighbor interface*

Чтобы сбросить настройки смежности со всеми соседями для указанного интерфейса, используйте необязательный параметр [*unit/slot/port*]. Чтобы сбросить настройки смежности с

определенным идентификатором маршрутизатора на указанном интерфейсе, используйте необязательный параметр [neighbor-id].

**Формат:** clear ip ospf neighbor interface [unit/slot/port] [neighbor-id]

**Режим ввода команд:** привилегированный

### ***clear ip ospf redistribution***

Команда позволяет очистить все самостоятельно сгенерированные внешние LSA для указанного виртуального маршрутизатора. Если маршрутизатор не указан, команда выполняется для маршрутизатора по умолчанию. По мере необходимости можно повторно применить настройки перераспределения и создать префиксы.

**Формат:** clear ip ospf redistribution [vrf vrf-name]

**Режим ввода команд:** привилегированный

### ***default-information originate***

Эта команда используется, чтобы управлять анонсами маршрутов по умолчанию.

**Значение по умолчанию:** метрика — не определена;  
тип — 2

**Формат:** default-information originate [always] [metric 0-16777214] [metric-type {1 | 2}]

**Режим ввода команд:** конфигурирование OSPF-маршрутизатора

### ***no default-information originate***

Эта команда используется, чтобы управлять анонсами маршрутов по умолчанию.

**Формат:** no default-information originate [metric] [metric-type]

**Режим ввода команд:** конфигурирование OSPF-маршрутизатора

### ***default-metric***

Данная команда используется, чтобы установить значения для метрик по умолчанию анонсируемых маршрутов.

**Формат:** default-metric 1-16777214

**Режим ввода команд:** конфигурирование OSPF-маршрутизатора

### ***no default-metric***

Данная команда используется, чтобы установить значения по умолчанию для метрик по умолчанию анонсируемых маршрутов.

**Формат:** no default-metric

**Режим ввода команд:** конфигурирование OSPF-маршрутизатора

### ***distance ospf***

Эта команда устанавливает значение приоритета OSPF-маршрута на маршрутизаторе. При определении оптимального маршрута предпочтение отдается более низким значениям приоритета

маршрута. Тип OSPF-маршрута может обозначаться как *intra*, *inter* или *external*. Всем маршрутам типа *external* присваивается одинаковое значение приоритета. Диапазон значений для *preference* — от 1 до 255.

**Значение по умолчанию:** 110  
**Формат:** `distance ospf {intra-area 1-255 | inter-area 1-255 | external 1-255}`  
**Режим ввода команд:** конфигурирование OSPF-маршрутизатора

#### *no distance ospf*

Эта команда устанавливает приоритет OSPF-маршрута на маршрутизаторе в значение по умолчанию. Тип OSPF-маршрута может обозначаться как *intra*, *inter* или *external*. Всем маршрутам типа *external* присваивается одинаковое значение приоритета.

**Формат:** `no distance ospf {intra-area | inter-area | external}`  
**Режим ввода команд:** конфигурирование OSPF-маршрутизатора

#### ***distribute-list out***

Используйте эту команду, чтобы указать список контроля доступа для фильтрации маршрутов, принятых от указанного протокола источника.

**Формат:** `distribute-list 1-199 out {rip | bgp | static | connected}`  
**Режим ввода команд:** конфигурирование OSPF-маршрутизатора

#### *no distribute-list out*

Используйте эту команду, чтобы удалить список контроля доступа для фильтрации маршрутов, принятых от указанного протокола источника.

**Формат:** `no distribute-list 1-199 out {rip | bgp | static | connected}`  
**Режим ввода команд:** конфигурирование OSPF-маршрутизатора

#### ***exit-overflow-interval***

Данная команда настраивает интервал выхода из режима переполнения для OSPF. Он обозначает время в секундах после входа в состояние переполнения, в течение которого маршрутизатор выжидает и не пытается выйти из этого состояния. Это позволяет маршрутизатору снова создать AS-external-LSA не по умолчанию. Если интервал установлен как 0, маршрутизатор не пытается самостоятельно выходить из состояния переполнения и требует перезапуска. Диапазон значений для *seconds* — от 0 до 2 147 483 647 секунд.

**Значение по умолчанию:** 0  
**Формат:** `exit-overflow-interval seconds`  
**Режим ввода команд:** конфигурирование OSPF-маршрутизатора

### *no exit-overflow-interval*

Эта команда устанавливает интервал выхода из режима переполнения для OSPF в значение по умолчанию.

**Формат:** `no exit-overflow-interval`  
**Режим ввода команд:** конфигурирование OSPF-маршрутизатора

### *external-lsdb-limit*

Эта команда настраивает ограничение внешних LSDB для OSPF. Если значение установлено как -1, ограничений не существует. Если количество AS-external-LSA не по умолчанию в базе данных состояния соединения маршрутизатора достигает ограничения LSDB, маршрутизатор входит в состояние переполнения. Маршрутизатор никогда не хранит в базе данных AS-external-LSA, превышающие по количеству установленное LSDB-ограничение. Ограничение для внешних LSDB должно быть установлено на одном уровне на всех маршрутизаторах, подключенных к OSPF-магистральной и/или любой обычной OSPF-зоне. Диапазон значений для ограничения — от -1 до 2 147 483 647.

**Значение по умолчанию:** -1  
**Формат:** `external-lsdb-limit limit`  
**Режим ввода команд:** конфигурирование OSPF-маршрутизатора

### *no external-lsdb-limit*

Эта команда устанавливает ограничение внешних LSDB для OSPF в значение по умолчанию.

**Формат:** `no external-lsdb-limit`  
**Режим ввода команд:** конфигурирование OSPF-маршрутизатора

### *log-adjacency-changes*

Чтобы включить ведение журнала изменений состояния OSPFv2-соседей, используйте команду `log-adjacency-changes` в режиме настройки OSPF-маршрутизатора. Изменения состояния регистрируются с уровнем опасности INFORMATIONAL.

**Значение по умолчанию:** изменения состояния смежности регистрируются, но без детализации.  
**Формат:** `log-adjacency-changes [detail]`  
**Режим ввода команд:** конфигурирование OSPFv2-маршрутизатора

<i>Параметр</i>	<i>Описание</i>
<code>detail</code>	(Необязательный параметр.) Когда указано это ключевое слово, регистрируются все изменения состояния смежности.  В противном случае OSPF записывает только переходы в FULL-состояние и обратный переход.

### *no log-adjacency-changes*

Используйте по-форму команды, чтобы выключить ведение журнала изменений.

**Формат:** no log-adjacency-changes [detail]

**Режим ввода команд:** конфигурирование OSPFv2-маршрутизатора

### ***prefix-suppression***

Эта команда подавляет в аносах от OSPFv2-маршрутизатора анонсирование всех IPv4-префиксов, кроме префиксов, связанных с вторичными IPv4-адресами, loopback и пассивными интерфейсами.

Чтобы включить в число подавляемых аносы, связанные с loopback или пассивным интерфейсом, используйте команду ip ospf prefix-suppression в режиме конфигурирования интерфейса. Префиксы, связанные с вторичными IPv4-адресами, не могут быть подавлены.

**Значение по умолчанию:** подавление префиксов выключено.

**Формат:** prefix-suppression

**Режим ввода команд:** конфигурирование OSPF-маршрутизатора

### *no prefix-suppression*

Эта команда выключает подавление префиксов. Все префиксы анонсируются свободно.

**Формат:** no prefix-suppression

**Режим ввода команд:** конфигурирование OSPF-маршрутизатора

### ***prefix-suppression***

Эта команда подавляет в аносах от OSPFv3-маршрутизатора анонсирование всех IPv6-префиксов, кроме префиксов, связанных с вторичными IPv6-адресами, loopback и пассивными интерфейсами.

Чтобы включить в число подавляемых аносы, связанные с loopback или пассивным интерфейсом, используйте команду ipv ospf prefix-suppression в режиме конфигурирования интерфейса. Префиксы, связанные с вторичными IPv6-адресами, не могут быть подавлены.

**Значение по умолчанию:** подавление префиксов выключено.

**Формат:** prefix-suppression

**Режим ввода команд:** конфигурирование OSPFv3-маршрутизатора

### *no prefix-suppression*

Эта команда выключает подавление префиксов. Все префиксы анонсируются свободно.

**Формат:** no prefix-suppression

**Режим ввода команд:** конфигурирование OSPFv3-маршрутизатора

### ***router-id***

Эта команда устанавливает уникальный идентификатор OSPF-маршрутизатора.

**Формат:** router-id ipaddress

**Режим ввода команд:** конфигурирование OSPF-маршрутизатора

### ***redistribute***

Эта команда настраивает OSPF-протокол на разрешение перераспределения маршрутов от указанных передающих протоколов/маршрутизаторов.

**Значение по умолчанию:** метрика — не определена;  
тип — 2;  
тег — 0.

**Формат:** redistribute {rip | bgp | static | connected} [metric 0-16777214] [metric-type {1 | 2}] [tag 0-4294967295] [subnets]

**Режим ввода команд:** конфигурирование OSPF-маршрутизатора

### ***no redistribute***

Эта команда настраивает OSPF-протокол на запрет перераспределения маршрутов от указанных передающих протоколов/маршрутизаторов.

**Формат:** no redistribute {rip | bgp | static | connected} [metric] [metric-type] [tag] [subnets]

**Режим ввода команд:** конфигурирование OSPF-маршрутизатора

### ***maximum-paths***

Эта команда устанавливает максимальное количество путей для заданного места назначения, о которых OSPF может сообщать.

**Значение по умолчанию:** 4

**Формат:** maximum-paths *maxpaths*

**Режим ввода команд:** конфигурирование OSPF-маршрутизатора

### ***no maximum-paths***

Данная команда устанавливает максимальное количество путей для заданного места назначения, о которых OSPF может сообщать, в значение по умолчанию.

**Формат:** no maximum-paths

**Режим ввода команд:** конфигурирование OSPF-маршрутизатора

### ***passive-interface default***

Используйте эту команду, чтобы включить глобальный пассивный режим по умолчанию для всех интерфейсов. Команда перезаписывает любой уровень пассивного режима интерфейса. OSPF не будет формировать смежности через пассивные интерфейсы.

**Значение по умолчанию:** выключено

**Формат:** passive-interface default

**Режим ввода команд:** конфигурирование OSPF-маршрутизатора

### *no passive-interface default*

Эта команда выключает глобальный пассивный режим по умолчанию для всех интерфейсов. Любой интерфейс, ранее настроенный на пассивный режим, по исполнению команды выходит из него.

**Формат:** `no passive-interface default`  
**Режим ввода команд:** конфигурирование OSPF-маршрутизатора

### *passive-interface*

Используйте эту команду, чтобы настроить интерфейс как пассивный. Команда перезаписывает глобальный пассивный режим, который уже действует на интерфейсе. Аргумент *unit/slot/port* относится к физическому или виртуальному интерфейсу маршрутизации. Ключевое слово *vlan* используется для прямого указания идентификатора VLAN на маршрутизирующем VLAN-интерфейсе (вместо формата *unit/slot/port*).

**Значение по умолчанию:** выключено  
**Формат:** `passive-interface {unit/slot/port|vlan 1-4094}`  
**Режим ввода команд:** конфигурирование OSPF-маршрутизатора

### *no passive-interface*

Используйте эту команду, чтобы настроить интерфейс как непассивный. Команда перезаписывает глобальный пассивный режим, который уже действует на интерфейсе.

**Формат:** `no passive-interface {unit/slot/port|vlan 1-4093}`  
**Режим ввода команд:** конфигурирование OSPF-маршрутизатора

### *timers pacing flood*

Используйте команду *timers pacing flood* в режиме глобального конфигурирования OSPFv2-маршрутизатора, чтобы настроить скорость, с которой OSPFv2 отправляет пакеты LS Update. Протокол OSPF распространяет маршрутную информацию в виде анонсов Link State Advertisements (LSA), которые содержатся в пакетах Link State Update (LS Update). Чтобы уменьшить вероятность отправки соседу больше пакетов, чем он может принять, OSPF ограничивает скорость передачи пакетов LS Update. По умолчанию OSPF отправляет до 30 обновлений в секунду на каждом интерфейсе (1 / интервал шага). Используйте данную команду, чтобы настроить скорость отправки пакетов.

**Значение по умолчанию:** 33 миллисекунды  
**Формат:** `timers pacing flood milliseconds`  
**Режим ввода команд:** конфигурирование OSPFv2-маршрутизатора

<i>Параметр</i>	<i>Описание</i>
<code>milliseconds</code>	Среднее время между отправкой пакетов LS Update. Диапазон — от 5 до 100 мс. По умолчанию — 33 мс.

### *no timers pacing flood*

Используйте команду *no timers pacing flood*, чтобы вернуть интервал отправки LSA в значение по умолчанию.

**Формат:** `no timers pacing flood`

**Режим ввода команд:** конфигурирование OSPFv2-маршрутизатора

### *timers pacing lsa-group*

Для того, чтобы отрегулировать, как OSPF группирует LSA для периодического обновления, используйте команду *timers pacing lsa-group* в режиме конфигурирования OSPFv2-маршрутизатора. OSPF обновляет автоматически сгенерированные LSA приблизительно раз в 30 минут. Когда OSPF обновляет LSA, он учитывает все автоматически сгенерированные LSA, период существования которых составляет от 1800 до 1800 плюс размер интервала группы. Группировка LSA для обновления позволяет OSPF объединять обновленные LSA в минимальное количество пакетов LS Update. Сокращение количества пакетов LS Update делает распространение LSA более эффективным.

Если OSPF производит новый или измененный LSA, он выбирает для него случайную задержку обновления. По истечении задержки обновления OSPF обновляет LSA. Выбирая случайную задержку обновления, OSPF избегает обновления большого количества LSA за один раз, даже если таковые возникли в одно время.

**Значение по умолчанию:** 60 секунд

**Формат:** `timers pacing lsa-group seconds`

**Режим ввода команд:** конфигурирование OSPFv2-маршрутизатора

<i>Параметр</i>	<i>Описание</i>
<code>seconds</code>	Продолжительность окна, за которое обновляются LSA. Диапазон — от 10 до 1800 секунд.

### *timers spf*

Используйте данную команду, чтобы настроить время задержки и удержания SPF. Действительный диапазон для обоих параметров — от 0 до 65 535 секунд.

**Значение по умолчанию:** задержка — 5  
удержание — 10

**Формат:** `timers spf delay-time hold-time`

**Режим ввода команд:** конфигурирование OSPF-маршрутизатора

### *trapflags*

Используйте данную команду, чтобы включить индивидуальные OSPF-трапы, одновременно включить группу флагов для трапов или одновременно включить все флаги для трапов. Различные группы флагов для трапов и отдельные флаги для трапов каждой группы перечислены в таблице ниже.

<i>Группа</i>	<i>Флаги</i>
<code>errors</code>	<ul style="list-style-type: none"> <li>• authentication-failure</li> <li>• bad-packet</li> </ul>



	<ul style="list-style-type: none"> <li>• config-error</li> <li>• virt-authentication-failure</li> <li>• virt-bad-packet</li> <li>• virt-config-error</li> </ul>
<b>lsa</b>	<ul style="list-style-type: none"> <li>• lsa-maxage</li> <li>• lsa-originate</li> </ul>
<b>overflow</b>	<ul style="list-style-type: none"> <li>• lsdbs-overflow</li> <li>• lsdbs-approaching-overflow</li> </ul>
<b>retransmit</b>	<ul style="list-style-type: none"> <li>• packets</li> <li>• virt-packets</li> </ul>
<b>state-change</b>	<ul style="list-style-type: none"> <li>• if-state-change</li> <li>• neighbor-state-change</li> <li>• virtif-state-change</li> <li>• virtneighbor-state-change</li> </ul>

- Чтобы включить отдельный флаг, введите group name и затем выбранный флаг.
- Чтобы включить все флаги группы, введите имя группы и ключевое слово all.
- Чтобы включить все флаги, введите команду *trapflags all*.

**Значение по умолчанию:** выключено

**Формат:**

```
trapflags {all | errors {all | authentication-failure | bad-
packet | config-error | virt- authentication-failure | virt-
bad-packet | virt-config-error} |lsa {all | lsa-maxage |
lsa-originate} |overflow {all | lsdbs-overflow | lsdbs-
approaching-overflow} | retransmit {all | packets | virt-
packets} |state-change {all | if-state-change | neighbor-
state-change | virtif-state-change | virtneighbor-state-
change}
}
```

**Режим ввода команд:** конфигурирование OSPF-маршрутизатора

### *no trapflags*

Команда устанавливает настройки OSPF-трапов и соответствующих флагов в значение по умолчанию.

- Чтобы выключить отдельный флаг, введите group name и затем выбранный флаг.
- Чтобы выключить все флаги группы, введите имя группы и ключевое слово all.
- Чтобы выключить все флаги, введите команду с указанием *trapflags all*.

**Формат:**

```
no trapflags { all |errors {all | authentication-failure |
bad-packet | config-error | virt- authentication-failure |
virt-bad-packet | virt-config-error} |lsa {all | lsa-maxage
| lsa-originate} |overflow {all | lsdbs-overflow | lsdbs-
approaching-overflow} | retransmit {all | packets | virt-
packets} |state-change {all | if-state-change | neighbor-
state-change | virtif-state- change | virtneighbor-state-
change}
}
```

**Режим ввода команд:** конфигурирование OSPF-маршрутизатора

## Команды настройки протокола на OSPF-интерфейсе

### *ip ospf area*

Используйте эту команду, чтобы включить OSPFv2 и установить идентификатор зоны интерфейса или диапазона интерфейсов. Параметр *area-id* — это IP-адрес, представленный 4-значным десятичным числом с точкой или десятичным значением в диапазоне от 0 до 4 294 967 295. Эта команда замещает выполнение команды *network area*. Она также может использоваться, чтобы настроить на интерфейсе анонсирование вторичных адресов в адрес OSPFv2-домена.

**Значение по умолчанию:** выключено  
**Формат:** `ip ospf area area-id [secondaries none]`  
**Режим ввода команд:** конфигурирование интерфейса

### *no ip ospf area*

Команда выключает OSPF на интерфейсе.

**Формат:** `no ip ospf area [secondaries none]`  
**Режим ввода команд:** конфигурирование интерфейса

### *bandwidth*

По умолчанию OSPF вычисляет стоимость соединения интерфейса как соотношение эталонной пропускной способности к пропускной способности интерфейса. Эталонная пропускная способность устанавливается с помощью команды *auto-cost*. В целях расчета стоимости соединения OSPF используйте команду *bandwidth* для определения пропускной способности интерфейса. Пропускная способность указывается в килобитах в секунду. Если значение пропускной способности не настроено, пропускная способность устанавливается в значение фактической пропускной способности интерфейса для интерфейсов маршрутизации на основе портов и на 10 Мбит/с для виртуальных интерфейсов маршрутизации. Команда не влияет на фактическую скорость интерфейса. Эту команду можно использовать, чтобы настроить один или несколько интерфейсов.

**Значение по умолчанию:** фактическая пропускная способность интерфейса  
**Формат:** `bandwidth 1-10000000`  
**Режим ввода команд:** конфигурирование интерфейса

### *no bandwidth*

Используйте данную команду, чтобы установить пропускную способность интерфейса в значение по умолчанию.

**Формат:** `no bandwidth`  
**Режим ввода команд:** конфигурирование интерфейса

### *ip ospf authentication*

Эта команда устанавливает тип OSPF-аутентификации и ключ для указанного интерфейса или диапазона интерфейсов. Значение *type* может быть определено как *none*, *simple* или *encrypt*. Значение *key* составляется из стандартных символов. Ключ аутентификации должен содержать

8 байт или меньше, если тип аутентификации простой. Если используется тип *encrypt*, ключ может быть до 16 байт. Если используется тип *encrypt*, должен быть указан *keyid* в диапазоне от 0 до 255. Не идентифицированные интерфейсы не нуждаются в ключе аутентификации и идентификаторе ключа. Значение по умолчанию для типа аутентификации отсутствует.

**Формат:** `ip ospf authentication {none | {simple key} | {encrypt key keyid}}`

**Режим ввода команд:** конфигурирование интерфейса

### *no ip ospf authentication*

Эта команда устанавливает тип аутентификации OSPF для указанного интерфейса в значение по умолчанию.

**Формат:** `no ip ospf authentication`

**Режим ввода команд:** конфигурирование интерфейса

### *ip ospf cost*

Данная команда настраивает стоимость на OSPF-интерфейсе или диапазоне интерфейсов. Параметр *cost* имеет диапазон от 1 до 65 535.

**Значение по умолчанию:** 10

**Формат:** `ip ospf cost 1-65535`

**Режим ввода команд:** конфигурирование интерфейса

### *no ip ospf cost*

Эта команда устанавливает стоимость на OSPF-интерфейсе в значение по умолчанию.

**Формат:** `no ip ospf cost`

**Режим ввода команд:** конфигурирование интерфейса

### *ip ospf database-filter all out*

Используйте команду *ip ospf database-filter all out* в режиме настройки интерфейса, чтобы выключить на интерфейсе распространение OSPFv2 LSA.

**Значение по умолчанию:** выключено

**Формат:** `ip ospf database-filter all out`

**Режим ввода команд:** конфигурирование интерфейса

### *no ip ospf database-filter all out*

Используйте команду *no ip ospf database-filter all out* в режиме настройки интерфейса, чтобы включить на интерфейсе распространение OSPFv2 LSA.

**Значение по умолчанию:** выключено

**Формат:** `ip ospf database-filter all out`

**Режим ввода команд:** конфигурирование интерфейса

### ***ip ospf dead-interval***

Эта команда настраивает Dead-interval OSPF для указанного интерфейса или диапазона интерфейсов. Значение для seconds (диапазон: 1–65 535) — это действительное положительное целое число, время в секундах, в течение которого пакеты Hello не отправляются с маршрутизатора до того момента, пока соседние маршрутизаторы не объявляют, что маршрутизатор выключен. Значение Dead-interval должно быть одинаковым для всех маршрутизаторов, подключенных к общей сети. Это значение должно быть кратно Hello-интервалу (т. е. 4). Диапазон допустимых значений в секундах — от 1 до 65 535.

**Значение по умолчанию:** 40  
**Формат:** ip ospf dead-interval seconds  
**Режим ввода команд:** конфигурирование интерфейса

### ***no ip ospf dead-interval***

Эта команда устанавливает «dead-interval» OSPF для указанного интерфейса в значение по умолчанию.

**Формат:** no ip ospf dead-interval  
**Режим ввода команд:** конфигурирование интерфейса

### ***ip ospf hello-interval***

Данная команда устанавливает Hello-интервал OSPF для указанного интерфейса или диапазона интерфейсов. Значение для seconds — это действительное положительное целое число, время в секундах. Значение Hello-интервала должно быть одинаковым для всех маршрутизаторов, подключенных к общей сети. Диапазон допустимых значений — от 1 до 65 535.

**Значение по умолчанию:** 10  
**Формат:** ip ospf hello-interval seconds  
**Режим ввода команд:** конфигурирование интерфейса

### ***no ip ospf hello-interval***

Эта команда устанавливает Hello-интервал OSPF для указанного интерфейса в значение по умолчанию.

**Формат:** no ip ospf hello-interval  
**Режим ввода команд:** конфигурирование интерфейса

### ***ip ospf network***

Команда настраивает OSPF рассматривать интерфейс или диапазон интерфейсов как PtP соединение, а не широковещательный интерфейс. Опция broadcast устанавливает широковещательный тип сети OSPF. Опция point-to-point устанавливает PtP тип сети OSPF. OSPF по умолчанию рассматривает интерфейсы как широковещательные (интерфейсы loopback имеют специальный тип loopback, который не может быть изменен). Если в сети присутствуют только два маршрутизатора, OSPF может работать более эффективно путем обозначения сети как PtP. Для

таких сетей OSPF не избирает назначенный маршрутизатор и не генерирует LSA-анонсы. Обе конечные точки соединения должны быть настроены на работу в PtP режиме.

**Значение по умолчанию:** broadcast  
**Формат:** ip ospf network {broadcast | point-to-point}  
**Режим ввода команд:** конфигурирование интерфейса

### *no ip ospf network*

Используйте эту команду, чтобы вернуть тип OSPF-сети в значение по умолчанию.

**Формат:** no ip ospf network  
**Режим ввода команд:** конфигурирование интерфейса

### *ip ospf prefix-suppression*

Эта команда подавляет анонсирование всех IPv4-префиксов, связанных с интерфейсом, кроме префиксов, связанных с вторичными IPv4-адресами. Данная команда перекрывает глобальную конфигурацию. Если данная конфигурация не определена, применяется конфигурация глобального подавления префиксов.

Подавление префиксов может быть выключено на уровне интерфейса с использованием опции *disable*. Опция *disable* полезна тем, что выделяет отдельные интерфейсы из выполнения подавления префиксов, если функция включена глобально.

Следует отметить, что функция *disable* не эквивалентна отсутствию настроек подавления префиксов на отдельных интерфейсах. Если подавление префиксов не настроено на уровне интерфейса, для IPv4-префиксов, связанных с интерфейсом, применяется глобальная конфигурация подавления префиксов.

**Значение по умолчанию:** подавление префиксов не настроено.  
**Формат:** ip ospf prefix-suppression [disable]  
**Режим ввода команд:** конфигурирование интерфейса

### *no ip ospf prefix-suppression*

Данная команда удаляет настройки подавления префиксов на уровне интерфейса. После выполнения команды *no ip ospf prefix-suppression* к интерфейсу применяется глобальная конфигурация подавления префиксов. Отсутствие настройки команды не эквивалентно выключению подавления префиксов на уровне интерфейса.

**Формат:** no ip ospf prefix-suppression  
**Режим ввода команд:** конфигурирование интерфейса

### *ip ospf priority*

Эта команда устанавливает OSPF-приоритет для указанного интерфейса маршрутизатора или диапазона интерфейсов. Приоритет интерфейса — это целое число от 0 до 255. Нулевое значение обозначает, что маршрутизатор не подходит на роль назначенного маршрутизатора в данной сети.

**Значение по умолчанию:** 1, наивысший приоритет маршрутизатора.

**Формат:** ip ospf priority 0-255  
**Режим ввода команд:** конфигурирование интерфейса

### *no ip ospf priority*

Эта команда устанавливает OSPF-приоритет для указанного интерфейса маршрутизатора в значение по умолчанию.

**Формат:** no ip ospf priority  
**Режим ввода команд:** конфигурирование интерфейса

### *ip ospf retransmit-interval*

Эта команда настраивает интервал повторной передачи OSPF для указанного интерфейса или диапазона интерфейсов. Интервал повторной передачи указывается в секундах. Значение seconds — это число секунд между повторной отправкой LSA для соседей, принадлежащих интерфейсу данного маршрутизатора. Это значение также используется при повторной передаче описания базы данных и пакетов с запросами состояния канала. Диапазон — от 0 до 3600 секунд (1 час).

**Значение по умолчанию:** 5  
**Формат:** ip ospf retransmit-interval 0-3600  
**Режим ввода команд:** конфигурирование интерфейса

### *no ip ospf retransmit-interval*

Команда устанавливает интервал повторной передачи OSPF для указанного интерфейса в значение по умолчанию.

**Формат:** no ip ospf retransmit-interval  
**Режим ввода команд:** конфигурирование интерфейса

### *ip ospf transmit-delay*

Данная команда устанавливает задержку передачи OSPF для указанного интерфейса или диапазона интерфейсов. Задержка передачи указывается в секундах. Кроме того, она устанавливает ожидаемое количество секунд, которое требуется для передачи пакета с обновлением состояния соединения через этот интерфейс. Интервал действительных значений для seconds — от 1 до 3600 (1 час).

**Значение по умолчанию:** 1  
**Формат:** ip ospf transmit-delay 1-3600  
**Режим ввода команд:** конфигурирование интерфейса

### *no ip ospf transmit-delay*

Команда устанавливает задержку передачи OSPF для указанного интерфейса в значение по умолчанию.

**Формат:** no ip ospf transmit-delay  
**Режим ввода команд:** конфигурирование интерфейса

### ***ip ospf mtu-ignore***

Эта команда выключает OSPF-обнаружение несоответствия MTU на интерфейсе или диапазоне интерфейсов. Пакеты OSPF Database Description задают размер наибольшего IP-пакета, который может быть отправлен на интерфейсе без фрагментации. Если маршрутизатор получает пакет Database Description, он проверяет значение MTU, анонсируемое соседом. По умолчанию, если MTU больше, чем маршрутизатор может принять, пакет Database Description отбрасывается и OSPF-соседство не устанавливается.

**Значение по умолчанию:** включено  
**Формат:** ip ospf mtu-ignore  
**Режим ввода команд:** конфигурирование интерфейса

### ***no ip ospf mtu-ignore***

Эта команда включает OSPF-обнаружение несоответствия MTU.

**Формат:** no ip ospf mtu-ignore  
**Режим ввода команд:** конфигурирование интерфейса

## ***Команды настройки функции IP Event Dampening***

### ***dampening***

Используйте данную команду, чтобы включить IP Event Dampening на интерфейсе маршрутизации.

**Формат:** dampening [*half-life period*] [*reuse-threshold suppress-threshold max-suppress-time*][*restart restart-penalty*]  
**Режим ввода команд:** конфигурирование интерфейса

<b><i>Параметр</i></b>	<b><i>Описание</i></b>
<b>Half-life period</b>	Время в секундах, за которое штраф сокращается вдвое. Настраиваемый диапазон составляет 1–30 секунд. Значение по умолчанию — 5 секунд.
<b>Reuse Threshold</b>	Значение штрафа, за который восстанавливается смягченный интерфейс. Настраиваемый диапазон составляет от 1 до 20 000. Значение по умолчанию — 1000.
<b>Suppress Threshold</b>	Значение штрафа, за который на интерфейсе включается функция смягчения. Настраиваемый диапазон составляет от 1 до 20 000. Значение по умолчанию — 2000.
<b>Max Suppress Time</b>	Максимальное количество времени (в секундах), которое интерфейс может находиться в состоянии подавления после окончания нестабильного поведения. Настраиваемый диапазон составляет 1–255 секунд. Значение по умолчанию в 4 раза больше периода сокращения штрафа. Если значение установлено по умолчанию, максимальное время сдерживания по

	умолчанию составит 20 секунд.
<b>Restart Penalty</b>	Штраф, применяемый к интерфейсу после перезагрузки устройства. Настраиваемый диапазон составляет от 1 до 20 000. Значение по умолчанию — 2000.

### *no dampening*

Эта команда выключает функцию IP Event Dampening на интерфейсе маршрутизации.

**Формат:** no dampening

**Режим ввода команд:** конфигурирование интерфейса

### *show dampening interface*

Эта команда показывает количество интерфейсов, настроенных с функцией IP Event Dampening, и количество подавляемых интерфейсов.

**Формат:** show dampening interface

**Режим ввода команд:** привилегированный

### *show interface dampening*

Эта команда отображает состояние и настроенные параметры интерфейсов, на которых активна функция IP Event Dampening.

**Формат:** show interface dampening

**Режим ввода команд:** привилегированный

<i>Параметр</i>	<i>Описание</i>
<b>Flaps</b>	Количество случаев, когда состояние соединения интерфейса менялось с UP на DOWN.
<b>Penalty</b>	Накопленный штраф.
<b>Supp</b>	Обозначает, подавляется ли интерфейс.
<b>ReuseTm</b>	Период в секундах, по истечении которого интерфейсу разрешено снова включиться.
<b>HalfL</b>	Настроенный период сокращения штрафа.
<b>ReuseV</b>	Настроенный порог повторного использования.
<b>SuppV</b>	Настроенный порог подавления.
<b>MaxSTm</b>	Настроенное максимальное время подавления.
<b>MaxP</b>	Максимальный возможный штраф.
<b>Restart</b>	Настроенный штраф перезагрузки.





1. Команда `clear counters` устанавливает счетчик ошибок неустойчивости соединения на ноль.
2. Команда конфигурирования интерфейса `no shutdown` устанавливает значение режима подавления в `False`.
3. Любое изменение в конфигурации сервиса смягчения сбрасывает текущий штраф, время повторного использования и статус подавления в значения по умолчанию, т. е. `0`, `0` и `FALSE` соответственно.

### Команды настройки OSPF Graceful Restart

Использование функционала Graceful Restart позволяет производить «щадящую перезагрузку» маршрутизаторов, при которой смежные маршрутизаторы продолжают пересылать IPv4 пакеты с использованием OSPF-маршрутов анонсированных перезагружаемым коммутатором.

Смежный маршрутизатор входит в режим помощника, если он получает от перезагружающегося маршрутизатора LSA-graceful, обозначающий его намерение выполнить щадящую перезагрузку. В режиме помощника коммутатор продолжает отправлять анонсы остальной сети, что они имеют полную смежность с перезагружающимся маршрутизатором, тем самым избегая перестроения OSPF-топологии и потенциального переполнения LSA и SPF (которые определяют маршруты OSPF). Соседи-помощники продолжают направлять пакеты через перезагружающийся маршрутизатор. Перезагружающийся маршрутизатор заново узнает топологию сети от своих соседей-помощников.

Функция Graceful Restart может быть включена для плановых, внеплановых или для обоих типов перезагрузки. Плановая перезагрузка выполняется оператором через управляющую команду `initiate failover`.

#### *nsf*

Используйте эту команду, чтобы включить функцию OSPF Graceful Restart на интерфейсе.

**Значение по умолчанию:** выключено  
**Формат:** `nsf [ietf] [planned-only]`  
**Режим ввода команд:** конфигурирование OSPF-маршрутизатора

Параметр	Описание
<code>ietf</code>	Это ключевое слово принимается, но не является обязательным.
<code>planned-only</code>	Это необязательное ключевое слово обозначает, что OSPF должен выполнить щадящую перезагрузку, только если перезагрузка плановая (например, если перезагрузка — результат команды <code>initiate failover</code> ).

#### *no nsf*

Используйте эту команду, чтобы выключить Graceful Restart для любых перезагрузок.

**Формат:** `no nsf`  
**Режим ввода команд:** конфигурирование OSPF-маршрутизатора

### *nsf restart-interval*

Команда настраивает интервал в секундах, в течение которого перезагружающийся маршрутизатор будет просить своих соседей ожидать, прежде чем войти в режим помощника. Этот интервал называют «щадящим периодом». Перезагружающийся маршрутизатор включает щадящий период в свои анонсы LSA. Для плановых перезагрузок (используя команду `initiate failover`) щадящие LSA отсылаются до перезагрузки блока управления, а в случае внеплановых — отсылаются после начала перезагрузки.

Щадящий период должен быть достаточно долгим, чтобы позволить перезагружающемуся маршрутизатору восстановить все свои смежности и выполнить полный обмен базы данных с каждым из соседей.

**Значение по умолчанию:** 120 секунд  
**Формат:** `nsf [ietf] restart-interval 1-1800`  
**Режим ввода команд:** конфигурирование OSPF-маршрутизатора

<i>Параметр</i>	<i>Описание</i>
<code>ietf</code>	Это ключевое слово принимается, но не является обязательным.
<code>seconds</code>	Количество секунд, которое перезагружающийся маршрутизатор запрашивает на ожидание у своих соседей перед тем, как они войдут в режим помощника. Диапазон — от 1 до 1800 секунд.

### *no nsf restart-interval*

Используйте эту команду, чтобы вернуть значение щадящего периода в значение по умолчанию.

**Формат:** `no [ietf] nsf restart-interval`  
**Режим ввода команд:** конфигурирование OSPF-маршрутизатора

### *nsf helper*

Команда включает функцию соседей-помощников для протокола OSPF. Данную функцию можно включить для плановых, внеплановых или обоих типов перезагрузок.

**Значение по умолчанию:** OSPF может выступать как сосед-помощник для плановых и внеплановых перезагрузок  
**Формат:** `nsf helper [planned-only]`  
**Режим ввода команд:** конфигурирование OSPF-маршрутизатора

<i>Параметр</i>	<i>Описание</i>
<code>planned-only</code>	Это необязательное ключевое слово указывает, что OSPF следует назначать помощников только маршрутизатору, выполняющему плановую перезагрузку.

### *no nsf helper*

Используйте эту команду, чтобы выключить функцию соседей-помощников для протокола OSPF.

**Формат:** no nsf helper  
**Режим ввода команд:** конфигурирование OSPF-маршрутизатора

### *nsf ietf helper disable*

Используйте эту команду, чтобы выключить функцию соседей-помощников для протокола OSPF.



**Команды *no nsf helper* и *nsf ietf helper disable* функционально равнозначны. Команда *nsf ietf helper disable* поддерживается исключительно для совместимости с CLI других вариантов программного обеспечения сети.**

**Формат:** nsf ietf helper disable  
**Режим ввода команд:** конфигурирование OSPF-маршрутизатора

### *nsf helper strict-lsa-checking*

Используйте данную команду, чтобы потребовать от соседа-помощника OSPF выходить из режима помощника при изменении топологии.

**Значение по умолчанию:** включено  
**Формат:** nsf [ietf] helper strict-lsa-checking  
**Режим ввода команд:** конфигурирование OSPF-маршрутизатора

Параметр	Описание
ietf	Это ключевое слово принимается, но не является обязательным.

### *no nsf [ietf] helper strict-lsa-checking*

Данная команда позволяет OSPF продолжать использовать соседа-помощника, несмотря на изменение топологии.

**Значение по умолчанию:** включено  
**Формат:** nsf [ietf] helper strict-lsa-checking  
**Режим ввода команд:** конфигурирование OSPF-маршрутизатора

## **Команды настройки функции OSPFv2 Stub Router**

### *max-metric router-lsa*

Чтобы настроить OSPF-маршрутизатор на вход в режим Stub Router, используйте данную команду в режиме глобальной конфигурации OSPF-маршрутизатора. Когда OSPF находится в режиме Stub Router, как это определено в RFC 3137, протокол OSPF устанавливает метрику для nonstub маршрутов в анонсах LSA своего маршрутизатора как LsInfinity. Из-за большой длины пути через Stub Router и соседние маршрутизаторы предпочитают любой альтернативный путь. Это позволяет полностью перенаправить транзитный трафик не на Stub Router, если доступны альтернативные маршруты. Режим Stub Router полезен при добавлении или удалении

маршрутизатора из сети или для избежания транзитных маршрутов, когда маршрутизатор перезагружается.

Можно принудительно ввести OSPF в режим Stub Router. OSPF останется в этом режиме до тех пор, пока его не выведут из него. Аналогичным образом можно настроить OSPF войти в данный режим на настраиваемое количество времени после того, как маршрутизатор загрузится.

Если настроить маршрутизатор на вход в режим Stub Router во время запуска (`max-metric router-lsa on-startup`) и затем ввести команду `max-metric router-lsa`, ничего не произойдет. Если OSPF административно находится в режиме Stub Router (была задана команда `max-metric router-lsa`), а вы настроите OSPF входить в режим Stub Router во время запуска (`max-metric router-lsa on-startup`), OSPF выйдет из данного режима (предположив, что период запуска истек), и конфигурация обновится.

**Значение по умолчанию:** OSPF не находится в режиме Stub Router

**Формат:** `max-metric router-lsa [on-startup seconds] [summary-lsa {metric}]`

**Режим ввода команд:** конфигурирование OSPFv2-маршрутизатора

Параметр	Описание
<code>on-startup</code>	(Необязательный параметр.) OSPF войдет в режим Stub Router после перезагрузки.
<code>seconds</code>	(Обязателен при использовании <code>on-startup</code> .) Время в секундах, которое OSPF будет находиться в режиме Stub Router после перезагрузки. Диапазон — от 5 до 86 400 секунд. Значение по умолчанию отсутствует.
<code>summary-lsa</code>	(Необязательный параметр.) Устанавливает значения метрики в LSA типа 3 и 4 как <code>LsInfinity (0xFFFFFFFF)</code> .
<code>metric</code>	(Необязательный параметр.) Значение, посылаемые в суммарных LSA, когда маршрутизатор находится в режиме Stub Router. Диапазон — от 1 до 16 777 215. Значение по умолчанию: <code>16 711 680 (0xFF0000)</code> .

### *no max-metric router-lsa*

Используйте данную команду в режиме конфигурирования OSPFv2-маршрутизатора, чтобы выключить режим Stub Router. Команда очищает любой тип режима (`always` или `on-startup`) и отключает опцию `summary-lsa`.

**Формат:** `no max-metric router-lsa [on-startup] [summary-lsa]`

**Режим ввода команд:** конфигурирование OSPFv2-маршрутизатора

### *clear ip ospf stub-router*

Используйте команду `clear ip ospf stub-router` в привилегированном режиме, чтобы заставить OSPF выйти из режима Stub Router для конкретного маршрутизатора, если он автоматически вошел в этот режим по причине ограничения ресурсов. OSPF выходит из режима Stub Router только по причине ограничения ресурсов или если маршрутизатор находится в нем с момента запуска. Если виртуальный маршрутизатор не указан, команда выполняется для маршрутизатора по умолчанию. Эта команда не действует, если режим Stub Router постоянно активен.

**Формат:** `clear ip ospf stub-router [vrf vrf-name]`

**Режим ввода команд:** привилегированный

## Команды просмотра оперативного состояния устройства для протокола OSPF

### show ip ospf

Эта команда отображает информацию о глобальных настройках OSPF для указанного виртуального маршрутизатора. Если маршрутизатор не указан, информация отображается для маршрутизатора по умолчанию.

**Формат:** show ip ospf [vrf vrf-name]

**Режим ввода команд:** привилегированный



Некоторые поля из представленных ниже отображаются, только если включен протокол OSPF и настроен определенный функционал.

Термин	Значение
Router ID	Идентификатор маршрутизатора, для которого отображается информация.
OSPF Admin Mode	Показывает, включен или выключен административный режим OSPF на маршрутизаторе.
RFC 1583 Compatibility	Показывает, включена совместимость с RFC 1583.
External LSDB Limit	Максимальное количество записей AS-external-LSA, которые могут быть помещены в базу данных состояния соединения.
Exit Overflow Interval	Время в секундах после входа в состояние переполнения, по истечении которого маршрутизатор будет пытаться выйти из этого состояния.
Spf Delay Time	Количество секунд между двумя последовательными изменениями LSA, во время которых откладывается время расчета таблицы маршрутизации.
Spf Hold Time	Количество секунд между двумя последовательными расчетами spf.
Flood Pacing Interval	Среднее время в миллисекундах между передачами пакетов LS Update на интерфейс.
LSA Refresh Group Pacing Time	Размер группового окна обновления LSA в секундах.
Opaque Capability	Показывает, может ли маршрутизатор посылать Opaque LSA.
Autocost Ref BW	Показывает значение эталонной пропускной способности, настроенное на маршрутизаторе, для автоматического расчёта стоимости.
Default Passive Setting	Показывает, является ли интерфейс пассивным по умолчанию.
Maximum Paths	Максимальное количество маршрутов, которые OSPF может установить для одного места назначения.
Default Metric	Значение стоимости по умолчанию для распространяемых маршрутов.
Stub Router Configuration	Показывает, может ли маршрутизатор входить в режим Stub Router.
Stub Router Startup Time	Показывает время, в течение которого маршрутизатор будет находиться в режиме Stub Rout-

	er после загрузки. Это поле выводится, только если OSPF настроен входить в режим Stub Router при запуске.
<b>Summary LSA Metric Override</b>	<b>Enabled</b> ( <i>met</i> ) или <b>Disabled</b> , где <i>met</i> — это значения, которые посылаются в сводных LSA в режиме Stub Router.
<b>BFD Enabled</b>	Отображает статус BFD.
<b>Default Route Advertise</b>	Указывает, анонсируются ли маршруты по умолчанию, полученные от других протоколов-источников.
<b>Always</b>	Показывает, всегда ли анонсируются маршруты по умолчанию.
<b>Metric</b>	Метрики распространяемых маршрутов. Если метрики не настроены, это поле остается пустым.
<b>Metric Type</b>	Показывает тип анонсируемых маршрутов других протоколов: External Type 1 или External Type 2.
<b>Number of Active Areas</b>	Количество активных зон OSPF. Активная зона OSPF — это зона с хотя бы одним работающим интерфейсом.
<b>ABR Status</b>	Показывает, является ли маршрутизатор пограничным маршрутизатором зоны OSPF.
<b>ASBR Status</b>	Показывает, включен ли режим ASBR. Маршрутизатор автоматически становится ASBR, когда он настроен распространять маршруты, полученные другими протоколами. Возможные значения для статуса ASBR: enabled (если маршрутизатор настроен распространять маршруты, полученные другими протоколами) или disabled (если он не настроен на это). Enabled подразумевает то, что маршрутизатор является пограничным маршрутизатором автономной системы (ASBR).
<b>Stub Router Status</b>	Состояние режима Router <b>Active</b> или <b>Inactive</b> .
<b>Stub Router Reason</b>	Показывает причину, по которой маршрутизатор находится в режиме Stub Router <b>Configured</b> , <b>Startup</b> или <b>Resource Limitation</b> . Это поле отображается, только если режим Stub Router активен.
<b>Stub Router Startup Time Remaining</b>	Время в секундах до того, как OSPF выйдет из режима Stub Router. Это поле отображается, только если OSPF находится в режиме Stub Router после загрузки.
<b>Stub Router Duration</b>	Время, прошедшее с момента последнего входа маршрутизатора в режим Stub Router. Эта строка отображается, только если Stub Router активен и маршрутизатор вошел в режим Stub Router по причине ограничения ресурсов. Продолжительность отображается в формате дд:чч:мм:сс.
<b>External LSDB Overflow</b>	Если количество полученных внешних LSA превышает настроенный лимит, External LSDB Limit, OSPF входит в состояние переполнения. В этом состоянии OSPF отзывает все свои сгенерированные внешние LSA. После истечения установленного времени Exit Overflow Interval OSPF выходит из состояния переполнения, если количество внешних LSA было уменьшено.
<b>External LSA Count</b>	Количество внешних LSA типа 5 в базе данных состояния соединения.

<b>External LSA Checksum</b>	Количество контрольных сумм LS внешних LSA, содержащихся в базе данных состояния соединения.
<b>AS_OPAQUE LSA Count</b>	Показывает количество AS Оpaque LSA в базе данных OSPF.
<b>AS_OPAQUE LSA Checksum</b>	Показывает количество контрольных сумм LS-анонсов состояния соединения AS Оpaque, содержащихся в базе данных состояния соединения.
<b>New LSAs Originated</b>	Количество новых сгенерированных LSA.
<b>LSAs Received</b>	Количество полученных LSA, определенных как новые.
<b>LSA Count</b>	Общее количество LSA, находящихся в данный момент в базе данных состояния соединения.
<b>Maximum Number of LSAs</b>	Максимальное количество LSA, которые OSPF может хранить.
<b>LSA High Water Mark</b>	Максимальный размер базы данных состояния соединения с момента запуска системы.
<b>AS Scope LSA Flood List Length</b>	Количество LSA, в данный момент находящихся в очереди глобального режима переполнения и ждущих перенаправления через домен OSPF.
<b>Retransmit List Entries</b>	Общее количество LSA, ждущих подтверждения всеми соседями. Любые LSA могут ожидать подтверждения более чем одним соседним устройством.
<b>Maximum Number of Retransmit Entries</b>	Максимальное количество LSA, которые могут ожидать подтверждения в любое время
<b>Retransmit Entries High Water Mark</b>	Максимальное количество LSA в списках повторной передачи всех соседей в любое время.
<b>NSF Support</b>	Указывает, включено ли nonstop-маршрутизация (NSF) протокола OSPF для плановых или внеплановых перезагрузок или для обоих типов (Always).
<b>NSF Restart Interval</b>	Настраиваемый пользователем интервал, во время которого соседний маршрутизатор будет находиться в режиме помощника после получения уведомления о том, что маршрутизатор выполняет щадящую перезагрузку.
<b>NSF Restart Status</b>	<p>Действующий статус щадящей перезагрузки маршрутизатора.</p> <ul style="list-style-type: none"> <li>• Not Restarting (не перезагружается)</li> <li>• Planned Restart (плановая перезагрузка)</li> </ul> <p>Unplanned Restart (внеплановая перезагрузка)</p>
<b>NSF Restart Age</b>	Количество секунд до того, как закончится интервал щадящей перезагрузки.
<b>NSF Restart Exit Reason</b>	<p>Показывает, по какой причине маршрутизатор последний раз выходил из последней перезагрузки:</p> <ul style="list-style-type: none"> <li>• None — щадящая перезагрузка не проводилась.</li> <li>• In Progress — перезагрузка в процессе.</li> </ul>

	<ul style="list-style-type: none"> <li>Completed — предыдущая щадящая перезагрузка выполнена успешно.</li> <li>Timed Out — время предыдущей щадящей перезагрузки истекло.</li> <li>Topology Changed — предыдущая щадящая перезагрузка досрочно прекращена из-за изменения топологии.</li> </ul>
<b>NSF Help Support</b>	Показывает, включена ли функция соседа-помощника OSPF для плановых или внеплановых перезагрузок либо для обоих типов (Always).
<b>NSF help Strict LSA checking</b>	Показывает, включена ли строгая проверка LSA. Если включена, то сосед-помощник OSPF выйдет из режима помощника, как только произойдет изменение топологии. Если выключена, сосед-помощник OSPF продолжит работать в этом режиме, несмотря на изменение топологии.
<b>Prefix- suppression</b>	Отображает, включено ли подавление префиксов.

### ***show ip ospf abr***

Данная команда отображает записи внутренней таблицы OSPF для маршрутизаторов Area Border Routers (ABR) для указанного виртуального маршрутизатора. Если маршрутизатор не указан, информация отображается для маршрутизатора по умолчанию.

**Формат:** `show ip ospf abr [vrf vrf-name]`

**Режим ввода команд:** привилегированный  
пользовательский

<b>Термин</b>	<b>Значение</b>
<b>Type</b>	Тип маршрута к месту назначения. Может быть: <ul style="list-style-type: none"> <li>intra — маршрут внутри зоны;</li> <li>inter — маршрут между зонами.</li> </ul>
<b>Router ID</b>	Идентификатор маршрутизатора места назначения.
<b>Cost</b>	Стоимость использования пути.
<b>Area ID</b>	Идентификатор зоны, из которой получены данные о маршруте.
<b>Next Hop</b>	Ближайший узел по направлению к месту назначения.
<b>Next Hop Intf</b>	Исходящий интерфейс маршрутизатора, используемый при перенаправлении трафика на ближайший узел.

### ***show ip ospf area***

Эта команда отображает информацию о зоне для указанного виртуального маршрутизатора. Если маршрутизатор не указан, информация отображается для маршрутизатора по умолчанию. Параметр *areaid* указывает OSPF-зону, которая будет отображаться.

**Формат:** `show ip ospf area areaid [vrf vrf-name]`

**Режим ввода команд:** привилегированный



пользовательский

<i>Термин</i>	<i>Значение</i>
<b>AreaID</b>	Идентификатор запрошенной OSPF-зоны.
<b>External Routing</b>	Число, представляющее возможности внешней маршрутизации для этой зоны.
<b>Spf Runs</b>	Количество случаев, когда таблица маршрутизации внутри зоны была рассчитана с использованием базы данных состояния соединения этой зоны.
<b>Area Border Router Count</b>	Общее количество пограничных маршрутизаторов в данной зоне.
<b>Area LSA Count</b>	Общее количество LSA в базе данных состояния соединения этой зоны, исключая внешние AS LSA.
<b>Area LSA Checksum</b>	Число, представляющее контрольную сумму LSA зоны для указанного AreaID, исключая внешние LSA (LS типа 5).
<b>Flood List Length</b>	Количество LSA, ждущих распространения внутри зоны.
<b>Import Summary LSAs</b>	Показывает, импортируются ли суммированные LSA.
<b>OSPF Stub Metric Value</b>	Значение метрики stub-зоны. Это поле отображается, только если зона сконфигурирована как stub-зона.

Следующая информация OSPF NSSA отображается только в том случае, если зона настроена как NSSA:

<i>Термин</i>	<i>Значение</i>
<b>Import Summary LSAs</b>	Показывает, импортируются ли LSA типа 3 в NSSA.
<b>Redistribute into NSSA</b>	Показывает, распространяется ли информация в NSSA.
<b>Default Information Originate</b>	Показывает, анонсируется ли NSSA маршрут по умолчанию.
<b>Default Metric</b>	Значения стоимости для маршрута по умолчанию, анонсируемого NSSA.
<b>Default Metric Type</b>	Тип значений для маршрута по умолчанию, анонсируемого NSSA.
<b>Translator Role</b>	Роль транслятора NSSA для ABR: always или candidate.
<b>Translator Stability Interval</b>	Период времени, в течение которого выбранный транслятор продолжает выполнять свои обязанности после определения факта, что его статус транслятора был замещен другим маршрутизатором.
<b>Translator State</b>	Показывает статус маршрутизатора ABR: disabled, always или elected.

### ***show ip ospf asbr***

Эта команда отображает записи внутренней таблицы OSPF-маршрутизации для ASBR указанного виртуального маршрутизатора. Если маршрутизатор не указан, информация отображается для маршрутизатора по умолчанию.

**Формат:** `show ip ospf asbr [vrf vrf-name]`

**Режим ввода команд:** привилегированный  
пользовательский

<b>Термин</b>	<b>Значение</b>
<b>Type</b>	Тип маршрута к месту назначения. Может быть: <ul style="list-style-type: none"> <li>• intra — маршрут внутри зоны;</li> <li>• inter — маршрут между зонами.</li> </ul>
<b>Router ID</b>	Идентификатор маршрутизатора места назначения.
<b>Cost</b>	Стоимость использования пути.
<b>Area ID</b>	Идентификатор зоны, из которой получены данные о маршруте.
<b>Next Hop</b>	Ближайший узел по направлению к месту назначения.
<b>Next Hop Intf</b>	Исходящий интерфейс маршрутизатора, используемый при перенаправлении трафика на ближайший узел.

### ***show ip ospf database***

Данная команда отображает информацию о базе данных OSPF, когда OSPF включен для определенного виртуального маршрутизатора. Если маршрутизатор не указан, информация отображается для маршрутизатора по умолчанию. Если не указывать дополнительных параметров, команда отобразит заголовки LSA для всех зон. Используйте необязательный параметр `areaid`, чтобы отобразить информацию базы данных для определенной зоны. Используйте необязательные параметры, чтобы указать тип отображаемых LSA

<b>Термин</b>	<b>Значение</b>
<b>vrf-name</b>	Виртуальный маршрутизатор, для которого будет отображаться информация.
<b>asbr-summary</b>	Используйте <code>asbr-summary</code> , чтобы показать сводные LSA для ASBR.
<b>external</b>	Используйте <code>external</code> , чтобы отобразить внешние LSA.
<b>network</b>	Используйте <code>network</code> , чтобы отобразить LSA сети.
<b>nssa-external</b>	Используйте <code>nssa-external</code> , чтобы отобразить внешние LSA NSSA.
<b>opaque-area</b>	Используйте <code>opaque-area</code> , чтобы отобразить opaque LSA для зоны.
<b>opaque-as</b>	Используйте <code>opaque-as</code> , чтобы отобразить AS opaque LSA.

<b>opaque-link</b>	Используйте <i>opaque-link</i> , чтобы отобразить opaque LSA соединения.
<b>router</b>	Используйте <i>router</i> , чтобы отобразить LSA маршрутизатора
<b>summary</b>	Используйте <i>summary</i> , чтобы показать суммарные LSA базы данных LSA.
<b>lsid</b>	Используйте <i>lsid</i> , чтобы указать идентификатор состояния соединения (LSID). Значение <i>lsid</i> может быть IP-адресом или числом в диапазоне от 0 до 4 294 967 295.
<b>adv-router</b>	Используйте <i>adv-router</i> , чтобы показать LSA, ограниченные анонсирующим маршрутизатором
<b>self-originate</b>	Используйте <i>self-originate</i> , чтобы отобразить LSA, сгенерированные самим маршрутизатором.

Информация ниже отображается только в том случае, если включен OSPF.

**Формат:** `show ip ospf [areaid] database [vrf vrf-name] [{database-summary | [{asbr-summary | external | network | nssa-external | opaque-area | opaque-as | opaque-link | router | summary}] [lsid] [{adv-router [ipaddr] | self-originate}]}`

**Режим ввода команд:** привилегированный  
пользовательский

Для каждого типа соединения и зоны отображается следующая информация:

<b>Термин</b>	<b>Значение</b>
<b>Link Id</b>	Число, обозначающее LSA, создаваемый маршрутизатором из всех остальных сгенерированных LSA того же типа LS.
<b>Adv Router</b>	Идентификатор анонсирующего маршрутизатора.
<b>Age</b>	Число, представляющее время существования LSA в секундах.
<b>Sequence</b>	Число, представляющее версию LSA.
<b>Checksum</b>	Итоговая контрольная сумма LSA.
<b>Options</b>	Целое число, обозначающее, что LSA получает особый режим обработки во время расчета маршрутизации.
<b>Rtr Opt</b>	Опции маршрутизатора, действительные только для соединений этого маршрутизатора.

### ***show ip ospf database database-summary***

Используйте данную команду, чтобы отобразить количество каждого типа LSA в базе данных каждой зоны и для маршрутизатора. Команда также отображает общее количество LSA в базе данных.

**Формат:** `show ip ospf database database-summary`

**Режим ввода команд:** привилегированный

<i>Термин</i>	<i>Значение</i>
<b>Router</b>	Общее количество LSA маршрутизатора в базе данных состояния соединения OSPF.
<b>Network</b>	Общее количество LSA сети в базе данных состояния соединения OSPF.
<b>Summary Net</b>	Общее количество сводных LSA сети в базе данных.
<b>Summary ASBR</b>	Количество сводных LSA маршрутизатора ASBR в базе данных.
<b>Type-7 Ext</b>	Общее количество внешних LSA типа 7 в базе данных.
<b>Self-Originated Type-7</b>	Общее количество автоматически возникших внешних AS LSA в базе данных состояния соединения OSPF.
<b>Opaque Link</b>	Количество LSA opaque-соединения в базе данных.
<b>Opaque Area</b>	Количество LSA opaque-зоны в базе данных.
<b>Subtotal</b>	Количество записей в указанной зоне.
<b>Opaque AS</b>	Количество AS LSA в базе данных.
<b>Total</b>	Количество записей для всех зон.

### ***show ip ospf interface***

Эта команда отображает информацию для объекта IFO или таблицы виртуального интерфейса. Аргумент *unit/slot/port* относится к физическому или виртуальному интерфейсу маршрутизации. Ключевое слово *vlan* используется для прямого указания идентификатора VLAN на маршрутизирующем VLAN-интерфейсе (вместо формата *unit/slot/port*).

**Формат:** `show ip ospf interface {unit/slot/port|vlan 1-4093| loopback Loopback-id}`

**Режим ввода команд:** привилегированный  
пользовательский

<i>Термин</i>	<i>Значение</i>
<b>IP Address</b>	IP-адрес для указанного интерфейса.
<b>Subnet Mask</b>	Маска сети.
<b>Secondary IP Address(es)</b>	Вторичные IP-адреса, если они настроены на интерфейсе.
<b>OSPF Admin Mode</b>	Указывает, включен ли OSPF на интерфейсе маршрутизатора.
<b>OSPF Area ID</b>	Идентификатор OSPF-зоны для указанного интерфейса.
<b>OSPF Network Type</b>	Тип сети на данном интерфейсе, где запущен OSPF.
<b>Router Priority</b>	Приоритет OSPF для указанного интерфейса.

<b>Retransmit Interval</b>	Retransmit-интервал OSPF для указанного интерфейса
<b>Hello Interval</b>	Hello-интервал OSPF для указанного интерфейса.
<b>Dead Interval</b>	Dead-интервал OSPF для указанного интерфейса.
<b>LSA Ack Interval</b>	Интервал ожидания подтверждения LSA OSPF для указанного интерфейса.
<b>Transmit Delay</b>	Интервал задержки передачи OSPF для указанного интерфейса.
<b>Authentication Type</b>	Тип аутентификации OSPF для указанного интерфейса: none, simple или encrypt.
<b>Metric Cost</b>	Стоимость OSPF-интерфейса.
<b>Passive Status</b>	Статус пассивного интерфейса.
<b>OSPF MTU-ignore</b>	Указывает, игнорируются ли несовпадения MTU в пакетах DBD, присланных соседними маршрутизаторами.
<b>Flood Blocking</b>	Показывает, включена ли блокировка рассылки на интерфейсе
<b>OSPF Interface Type</b>	Тип OSPF-интерфейса будет broadcast или ptp.
<b>State</b>	Состояния OSPF-интерфейса могут обозначаться как down, loopback, waiting, point-to-point, designated router и backup designated router.
<b>Designated Router</b>	Идентификатор назначенного маршрутизатора (DR).
<b>Backup Designated Router</b>	Идентификатор резервного назначенного маршрутизатора (BDR).
<b>Number of Link Events</b>	Количество событий соединения.
<b>Local Link LSAs</b>	Количество LSA локальных соединений ораque в базе данных состояния соединения.
<b>Local Link LSA Checksum</b>	Сумма контрольных сумм LS-анонсов LS локальных соединений ораque в базе данных состояния соединения.
<b>Prefix-suppression</b>	Отображает статус подавления префиксов на данном интерфейсе: enabled, disabled или unconfigured.

### ***show ip ospf interface brief***

Данная команда отображает краткую информацию для объекта IFO или таблицы виртуального интерфейса. Если маршрутизатор не указан, информация отображается для маршрутизатора по умолчанию.

**Формат:** `show ip ospf interface brief [vrf vrf-name]`

**Режим ввода команд:** привилегированный  
пользовательский

<b>Термин</b>	<b>Значение</b>
---------------	-----------------

<b>Interface</b>	<i>unit/slot/port</i>
<b>OSPF Admin Mode</b>	Указывает, включен ли OSPF на интерфейсе маршрутизатора.
<b>OSPF Area ID</b>	Идентификатор OSPF-зоны для указанного интерфейса.
<b>Router Priority</b>	Приоритет OSPF для указанного интерфейса.
<b>Cost</b>	Стоимость для OSPF-интерфейса.
<b>Hello Interval</b>	Hello-интервал OSPF для указанного интерфейса.
<b>Dead Interval</b>	Dead-интервал OSPF для указанного интерфейса
<b>Retransmit Interval</b>	Retransmit-интервал OSPF для указанного интерфейса.
<b>Interface Transmit Delay</b>	Интервал задержки передачи OSPF для указанного интерфейса.
<b>LSA Ack Interval</b>	Интервал ожидания подтверждения LSA OSPF для указанного интерфейса

### ***show ip ospf interface stats***

Команда отображает статистику для указанного интерфейса. Информация ниже отображается, если включен OSPF. Аргумент *unit/slot/port* относится к физическому или виртуальному интерфейсу маршрутизации. Ключевое слово *vlan* используется для прямого указания идентификатора VLAN на маршрутизирующем VLAN-интерфейсе (вместо формата *unit/slot/port*).

**Формат:** `show ip ospf interface stats {unit/slot/port|vlan 1-4093}`

**Режим ввода команд:** привилегированный  
пользовательский

<b>Термин</b>	<b>Значение</b>
<b>OSPF Area ID</b>	Идентификатор OSPF-зоны для указанного интерфейса.
<b>Area Border Router Count</b>	Общее количество пограничных маршрутизаторов в данной зоне. Изначальное значение — 0, которое пересчитывается в каждом проходе SPF.
<b>AS Border Router Count</b>	Общее количество пограничных маршрутизаторов AS в данной зоне.
<b>Area LSA Count</b>	Общее количество LSA в базе данных состояния соединения этой зоны, исключая внешние AS LSA.
<b>IP Address</b>	IP-адрес, связанный с данным OSPF-интерфейсом.
<b>OSPF Interface Events</b>	Количество случаев, когда указанный OSPF-интерфейс менял свой статус или когда происходили ошибки.
<b>Virtual Events</b>	Количество изменений статуса или ошибок, зафиксированных на данном виртуальном соединении.
<b>Neighbor Events</b>	Количество случаев, когда соседнее устройство меняло свой статус или происходила ошибка.

<b>Sent Packets</b>	Количество OSPF-пакетов, переданных интерфейсом.
<b>Received Packets</b>	Количество действительных OSPF-пакетов, принятых интерфейсом.
<b>Discards</b>	Количество принятых OSPF-пакетов, отброшенных по причине ошибки в пакете или при его обработке.
<b>Bad Version</b>	Количество принятых OSPF-пакетов, чье поле версии в заголовке OSPF не совпадало с версией OSPF-процесса, который обрабатывал пакет.
<b>Source Not On Local Subnet</b>	Количество принятых пакетов, отброшенных из-за того, что IP-адрес источника не находится в подсети, настроенной на данном интерфейсе. <b>Примечание:</b> Это поле относится только к OSPFv2.
<b>Virtual Link Not Found</b>	Количество принятых пакетов, отброшенных из-за того, что входной интерфейс находится не в магистральной зоне, а заголовок OSPF идентифицировал пакет как принадлежащий к магистрале, но у OSPF не было виртуального канала для отправителя пакета.
<b>Area Mismatch</b>	Количество OSPF-пакетов, отброшенных из-за того, что идентификатор зоны в OSPF-заголовке не совпадает с идентификатором, настроенным на входном интерфейсе.
<b>Invalid Destination Address</b>	Количество OSPF-пакетов, отброшенных из-за того, что IP-адрес не является адресом входного интерфейса и адресом многоадресной рассылки AllDrRouters или AllSpfRouters.
<b>Wrong Authentication Type</b>	Количество пакетов, отброшенных из-за того, что тип аутентификации, указанный в OSPF-заголовке, не совпадал с типом аутентификации, настроенным на входном интерфейсе. <b>Примечание:</b> Это поле относится только к OSPFv2.
<b>Authentication Failure</b>	Количество OSPF-пакетов, отброшенных из-за того, что отправитель — несуществующий сосед или IP-адрес отправителя не совпадает с предыдущим записанным IP-адресом для этого соседа. <b>Примечание:</b> Это поле относится только к OSPFv2.
<b>No Neighbor at Source Address</b>	Количество OSPF-пакетов, отброшенных из-за того, что отправитель — несуществующий сосед или IP-адрес отправителя не совпадает с предыдущим записанным IP-адресом для этого соседа. <b>Примечание:</b> Не относится к hello-пакетам
<b>Invalid OSPF Packet Type</b>	Количество OSPF-пакетов, отброшенных из-за того, что поле packet type в OSPF-заголовке является неизвестным типом.
<b>Hellos Ignored</b>	Количество принятых hello-пакетов, которые игнорируются данным маршрутизатором от новых соседей после того, как было достигнуто предельное количество соседей на данном интерфейсе или в

### ***show ip ospf lsa-group***

Эта команда отображает количество сгенерированных LSA для каждой группы LSA для указанного виртуального маршрутизатора. Если маршрутизатор не указан, информация отображается для маршрутизатора по умолчанию.

**Формат:** `show ip ospf lsa-group [vrf vrf-name]`

**Режим ввода команд:** привилегированный  
пользовательский

<b>Термин</b>	<b>Значение</b>
<b>Total self-originated LSAs</b>	Количество LSA, которые маршрутизатор создает в настоящее время.
<b>Average LSAs per group</b>	Количество сгенерированных LSA, разделенное на количество групп LSA. Количество групп LSA — это интервал обновления (1800 секунд), разделенный на интервал шага (настроенный командой <code>timers pacing lsa-group</code> ) плюс 2.
<b>Pacing group limit</b>	Максимальное количество сгенерированных LSA в одной группе LSA. Если количество LSA в группе превышает предельное количество, OSPF раздает LSA через интервал обновления, чтобы достичь лучшего соотношения.
<b>Groups</b>	Для каждого шага LSA-группы отображается диапазон времени существования LSA в группе и количество LSA в группе.

### ***show ip ospf neighbor***

Эта команда отображает информацию о соседях OSPF для указанного виртуального маршрутизатора. Если маршрутизатор не указан, информация отображается для маршрутизатора по умолчанию. Если не указать IP-адрес соседа, команда отобразит общую информацию в таблице. Если указать интерфейс или туннель, отобразится только информация для данного интерфейса или туннеля, если интерфейс является физическим интерфейсом маршрутизации, и VLAN-формат — если интерфейс является маршрутизирующим VLAN-интерфейсом. Параметр `ip-address` — IP-адрес соседа, и если его указать, отобразится детальная информация об этом соседе. Информация ниже отображается только в том случае, если включен OSPF и у интерфейса есть соседи.

**Формат:** `show ip ospf neighbor [vrf vrf-name][interface {unit/slot/port|vlan 1-4093}] [ip-address]`

**Режим ввода команд:** привилегированный  
пользовательский

Если не указать IP-адрес, таблица с данными столбцами отобразится для всех соседей или для соседа, связанного с интерфейсом, который вы укажете:

<b>Термин</b>	<b>Значение</b>
<b>Router ID</b>	Идентификатор соседнего маршрутизатора.



<b>Priority</b>	OSPF-приоритет указанного интерфейса. Приоритет интерфейса — это целое число от 0 до 255. Нулевое значение обозначает, что маршрутизатор не подходит на роль назначенного маршрутизатора в данной сети.
<b>IP Address</b>	IP-адрес соседа.
<b>Interface</b>	Интерфейс локального маршрутизатора в формате unit/slot/port.
<b>State</b>	<p>Статус соседних маршрутизаторов. Возможные значения:</p> <ul style="list-style-type: none"> <li>• Down — исходное состояние соседа; от соседа не было получено свежей информации.</li> <li>• Attempt — от соседа не было получено свежей информации, но более согласованные усилия должны быть приложены, чтобы связаться с соседом.</li> <li>• Init — от соседа недавно был замечен Hello-пакет, но двунаправленное соединение пока еще не установлено.</li> <li>• way — между двумя маршрутизаторами установлено двунаправленное соединение.</li> <li>• Exchange start — первый шаг в создании смежности между двумя соседними маршрутизаторами, цель состоит в том, чтобы решить, какой маршрутизатор является главным, и принять решение относительно начального номера последовательности DD.</li> <li>• Exchange — маршрутизатор описывает всю свою базу данных состояния соединения путем отправки пакетов Database Description соседу.</li> <li>• Loading — соседу посылаются пакеты Link State Request с запросом более недавних LSA, которые были обнаружены (но еще не получены) в статусе Exchange.</li> <li>• Full — соседние маршрутизаторы полностью смежны и теперь они будут появляться в LSA маршрутизаторов и LSA сети.</li> </ul>
<b>Dead Time</b>	Время в секундах, которое маршрутизатор ожидает перед тем, как посчитать соседа недоступным.

Если указать IP-адрес соседнего маршрутизатора, отобразится следующая информация:

<b>Термин</b>	<b>Значение</b>
<b>Interface</b>	unit/slot/port
<b>Neighbor IP Address</b>	IP-адрес соседнего маршрутизатора.
<b>Interface Index</b>	Идентификатор интерфейса соседнего маршрутизатора.
<b>Area ID</b>	Идентификатор зоны OSPF, связанной с данным интерфейсом.

<b>Options</b>	Целое число, обозначающее необязательные OSPF-возможности, поддерживаемые соседним устройством. Необязательные OSPF-возможности соседа также перечислены в hello-пакетах. Это позволяет hello-пакетам быть отклоненными (например, если с соседом еще не было установлено соединения), если происходит несоответствие в некоторых ключевых OSPF-возможностях.
<b>Router Priority</b>	OSPF-приоритет указанного интерфейса. Приоритет интерфейса — это целое число от 0 до 255. Нулевое значение обозначает, что маршрутизатор не подходит на роль назначенного маршрутизатора в данной сети.
<b>Dead Timer Due</b>	Время в секундах, которое маршрутизатор ожидает перед тем, как посчитать соседа недоступным.
<b>Up Time</b>	Время работы соседнего устройства; сколько времени прошло с последнего момента, как соседство перешло в состояние Full.
<b>State</b>	Статус соседних маршрутизаторов.
<b>Events</b>	Количество случаев, когда соседнее устройство меняло свой статус или происходила ошибка.
<b>Retransmitted LSAs</b>	Количество LSA, переданных соседу.
<b>Retransmission Queue Length</b>	Целое число, обозначающее текущую длину очереди повторной передачи для указанного идентификатора соседнего маршрутизатора на указанном интерфейсе.
<b>Restart Helper Status</b>	<p>Указывает статус данного маршрутизатора как помощника во время щадящей перезагрузки маршрутизатора, указанного в командной строке.</p> <ul style="list-style-type: none"> <li>• <b>Helping</b> — данный маршрутизатор является соседом-помощником для указанного соседа. Сосед-помощник не уведомляет об изменениях соседства во время щадящей перезагрузки и продолжает анонсировать перезагружающийся маршрутизатор как FULL-соседство. Сосед-помощник продолжает передавать пакеты данных перезагружающемуся маршрутизатору, полагая, что таблица пересылки перезапускающегося маршрутизатора поддерживается во время перезагрузки.</li> <li>• <b>Not Helping</b> — данный маршрутизатор не является соседом-помощником в данный момент.</li> </ul>
<b>Restart Reason</b>	<p>Если маршрутизатор находится в режиме соседа-помощника, это отображает причину перезапуска, данную перезапускающимся маршрутизатором.</p> <ul style="list-style-type: none"> <li>• <b>Unknown (0)</b> — неизвестна</li> <li>• <b>Software restart (1)</b> — перезапуск</li> </ul>

	<p>программного обеспечения</p> <ul style="list-style-type: none"> <li>• Software reload/upgrade (2) — перезагрузка/обновление программного обеспечения</li> <li>• Switch to redundant control processor (3) — переключение на резервный управляющий процессор</li> <li>• Unrecognized — значение, не указанное в RFC 3623.</li> </ul> <p>Когда OSPF посылает LSA Graseful, он устанавливает причину перезапуска как Software restart для плановой программной перезагрузки (при использовании команды initiate failover) и статус Unknown при внеплановой программной перезагрузке.</p>
<p><b>Remaining Grace Time</b></p>	<p>Количество секунд, оставшихся от интервала текущей щадящей перезагрузки. Отображается, только когда данный маршрутизатор в настоящее время находится в режиме соседа-помощника для указанного в команде маршрутизатора.</p>
<p><b>Restart Helper Exit Reason</b></p>	<p>Указывает причину, по которой указанный маршрутизатор вышел из щадящей перезагрузки в последний раз.</p> <ul style="list-style-type: none"> <li>• None — щадящая перезагрузка не проводилась</li> <li>• In Progress — перезагрузка в процессе</li> <li>• Completed — предыдущая щадящая перезагрузка выполнена успешно</li> <li>• Timed Out — время предыдущей щадящей перезагрузки истекло</li> <li>• Topology Changed — предыдущая щадящая перезагрузка досрочно прекращена из-за изменения топологии.</li> </ul>

### **show ip ospf range**

Эта команда отображает набор диапазонов маршрутов зоны OSPFv2, настроенных для суммирования для данной зоны виртуального маршрутизатора. Если маршрутизатор не указан, информация отображается для маршрутизатора по умолчанию.

**Формат:** `show ip ospf range areaid [vrf vrf-name]`

**Режим ввода команд:** привилегированный

<b>Термин</b>	<b>Значение</b>
<b>Prefix</b>	Суммарный префикс.
<b>Subnet Mask</b>	Маска подсети суммарного префикса.
<b>Type</b>	S (суммарное соединение) или E (внешнее соединение)
<b>Action</b>	<b>Advertise</b> или <b>Suppress</b>

<b>Cost</b>	Метрики, которые анонсируются, если диапазон активен. Если статическая стоимость не настроена, поле отображает значение <b>Auto</b> . Если поле Action имеет значение <b>Suppress</b> , в данном поле отображается <b>N/A</b> .
<b>Active</b>	Активен ли диапазон в текущий момент. Значение: <b>Y</b> или <b>N</b> .

### ***show ip ospf statistics***

Эта команда отображает информацию о недавних подсчетах Shortest Path First (SPF) для указанного виртуального маршрутизатора. Если маршрутизатор не указан, информация отображается для маршрутизатора по умолчанию. SPF — это расчеты таблицы маршрутизации OSPF. Вывод команды перечисляет количество случаев, когда SPF выполнялся для каждой OSPF-зоны. Таблица следует данной информации. Для каждого из 15 последних запусков SPF команда показывает статистику: как давно был проведен SPF; сколько времени это заняло; причины, по которым SPF был запланирован; отдельные компоненты времени вычислений таблицы маршрутизации и время обновления Routing Information Base (RIB). Самые свежие статистические данные отображаются в конце таблицы.

**Формат:** `show ip ospf statistics [vrf vrf-name]`

**Режим ввода команд:** привилегированный

<b>Термин</b>	<b>Значение</b>
<b>Delta T</b>	Время с момента расчета таблицы маршрутизации. Указывается в формате часов, минут и секунд (чч:мм:сс).
<b>Intra</b>	Время, ушедшее на подсчет маршрутов внутри зоны, в миллисекундах.
<b>Summ</b>	Время, ушедшее на подсчет маршрутов между зонами, в миллисекундах.
<b>Ext</b>	Время, ушедшее на подсчет внешних маршрутов, в миллисекундах.
<b>SPF Total</b>	Общее время, ушедшее на подсчет маршрутов, в миллисекундах. Может превышать сумму соответствующих полей для внешних, внутренних и межзональных маршрутов.
<b>RIB Update</b>	Время, прошедшее с последнего выполненного подсчета таблицы маршрутизации, до момента, пока все изменения не были выполнены в общей таблице маршрутизации (RIB), в миллисекундах.
<b>Reason</b>	События, запустившие SPF. Коды причин перечислены ниже: <ul style="list-style-type: none"> <li>• R — LSA нового маршрутизатора</li> <li>• N — LSA новой сети</li> <li>• SN — суммарный LSA новой сети</li> <li>• SA — суммарный LSA нового ASBR-маршрутизатора</li> <li>• X — новый внешний LSA.</li> </ul>

### **show ip ospf stub table**

Эта команда отображает OSPF Stub Table для виртуального маршрутизатора. Если маршрутизатор не указан, будет показана информация маршрутизатора по умолчанию. Информация ниже отображается только в том случае, если на коммутаторе инициализирован OSPF.

**Формат:** `show ip ospf stub table [vrf vrf-name]`

**Режим ввода команд:** привилегированный  
пользовательский

<i>Термин</i>	<i>Значение</i>
<b>Area ID</b>	32-битный идентификатор созданной stub-зоны.
<b>Type of Service</b>	Тип сервиса, связанного со stub-метриками. Коммутатор поддерживает только тип Normal TOS.
<b>Metric Val</b>	Значения метрик, применяемые на основе TOS. По умолчанию устанавливаются наименьшие значения вида обслуживания среди интерфейсов других зон. OSPF-стоимость маршрута является функцией от значения этой метрики.
<b>Import Summary LSA</b>	Управляет импортом суммарных LSA в stub-зоны.

### **show ip ospf traffic**

Эта команда отображает статистику OSPFv2-пакетов, статистику LSA и статистику очереди сообщений OSPFv2 для виртуального маршрутизатора. Если маршрутизатор не указан, будет показана информация маршрутизатора по умолчанию. Статистика пакетов считает пакеты и LSA к моменту последнего сброса OSPFv2-счетчиков (с помощью команды `clear ip ospf counters`).



**Команда `clear ip ospf counters` не очищает метки high water mark (HWM) для очереди сообщений.**

**Формат:** `show ip ospf traffic [vrf vrf-name]`

**Режим ввода команд:** привилегированный

<i>Параметр</i>	<i>Описание</i>
<b>OSPFv2 Packet Statistics</b>	Количество пакетов каждого типа, принятых и отправленных с момента последнего сброса OSPF-счетчиков.
<b>LSAs Retransmitted</b>	Количество LSA, переданных данным маршрутизатором с момента последнего сброса OSPF-счетчиков.
<b>LS Update Max Receive Rate</b>	Максимальная скорость полученных пакетов LS Update во время любого 5-секундного интервала с момента последнего сброса OSPF-счетчиков. Скорость указывается в пакетах в секунду.
<b>LS Update Max Send Rate</b>	Максимальная скорость переданных пакетов LS Update во время любого 5-секундного интервала с момента последнего сброса OSPF-счетчиков. Скорость указывается в пакетах в секунду.

<b>Number of LSAs</b>	Количество LSA каждого типа, полученных с момента последнего сброса OSPF-счетчиков.
<b>OSPFv2 Queue Statistics</b>	Для каждой очереди сообщений OSPFv2: текущий счетчик, текущий маркер HWM, количество пакетов, которые не удалось поставить в очередь, и ограничение очереди. Маркеры HWM не очищаются во время сброса OSPF-счетчиков.

### ***show ip ospf virtual-link***

Эта команда отображает информацию виртуального интерфейса OSPF для указанной зоны и соседнего узла для виртуального маршрутизатора. Если маршрутизатор не указан, будет показана информация маршрутизатора по умолчанию. Параметр `areaid` определяет зону, а параметр `neighbor` — идентификатор соседнего маршрутизатора.

**Формат:** `show ip ospf virtual-link [vrf vrf-name] areaid neighbor`

**Режим ввода команд:** привилегированный  
пользовательский

<b>Параметр</b>	<b>Описание</b>
<b>Area ID</b>	Идентификатор запрошенной OSPF-зоны.
<b>Neighbor Router ID</b>	Идентификатор соседнего маршрутизатора.
<b>Hello Interval</b>	Настроенный hello-интервал для указанного OSPF-интерфейса.
<b>Dead Interval</b>	Настроенный dead-интервал для указанного OSPF-интерфейса.
<b>Interface Transmit Delay</b>	Настроенная задержка передачи для указанного OSPF-интерфейса.
<b>Retransmit Interval</b>	Настроенный интервал ретрансляции для указанного OSPF-интерфейса.
<b>Authentication Type</b>	Настроенный тип аутентификации для указанного OSPF-интерфейса.
<b>State</b>	Состояния OSPF-интерфейса могут обозначаться как <code>own</code> , <code>loopback</code> , <code>waiting</code> , <code>point-to-point</code> , <code>designated router</code> и <code>backup designated router</code> . Этот параметр показывает статус OSPF-интерфейса.
<b>Neighbor State</b>	Статус соседнего узла.

### ***show ip ospf virtual-link brief***

Настроенная задержка передачи для указанного OSPF-интерфейса.

Эта команда отображает краткую информацию виртуального интерфейса OSPF для всех зон в системе.

**Формат:** `show ip ospf virtual-link brief`

**Режим ввода команд:** привилегированный  
пользовательский

<b>Параметр</b>	<b>Описание</b>
<b>Area ID</b>	Идентификатор запрошенной OSPF-зоны.

<b>Neighbor</b>	Соседний интерфейс виртуального OSPF-интерфейса.
<b>Hello Interval</b>	Настроенный hello-интервал для указанного OSPF-интерфейса.
<b>Dead Interval</b>	Настроенный dead-интервал для указанного OSPF-интерфейса.
<b>Retransmit Interval</b>	Настроенный интервал ретрансляции для указанного OSPF-интерфейса.
<b>Transmit Delay</b>	Настроенная задержка передачи для указанного OSPF-интерфейса.

## 10.12 Команды настройки протокола RIP<sup>1</sup>

В этой части описаны команды, используемые для просмотра и настройки Routing Information Protocol (RIP), который представляет собой протокол дистанционно-векторной маршрутизации, используемый для маршрутизации трафика в пределах небольшой сети.

### *router rip*

Используйте эту команду, чтобы войти в режим RIP на маршрутизаторе.

**Формат:** `router rip`  
**Режим ввода команд:** глобальная конфигурация

### *enable (RIP)*

Эта команда устанавливает административный режим RIP-маршрутизатора в значение по умолчанию (активен).

**Значение по умолчанию:** включено  
**Формат:** `enable`  
**Режим ввода команд:** конфигурирование RIP-маршрутизатора

### *no enable (RIP)*

Эта команда устанавливает административный режим RIP-маршрутизатора как неактивный.

**Формат:** `no enable`  
**Режим ввода команд:** конфигурирование RIP-маршрутизатора

### *ip rip*

Эта команда включает RIP на интерфейсе маршрутизатора или диапазоне интерфейсов.

**Значение по умолчанию:** выключено  
**Формат:** `ip rip`  
**Режим ввода команд:** конфигурирование интерфейса

<sup>1</sup> Данный функционал доступен при наличии лицензии RIP. Для активации свяжитесь со службой технической поддержки.

### *no ip rip*

Команда выключает RIP на интерфейсе маршрутизатора.

**Формат:** no ip rip  
**Режим ввода команд:** конфигурирование интерфейса

### *auto-summary*

Эта команда включает режим автоматического суммирования RIP.

**Значение по умолчанию:** выключено  
**Формат:** auto-summary  
**Режим ввода команд:** конфигурирование RIP-маршрутизатора

### *no auto-summary*

Команда выключает режим автоматического суммирования RIP.

**Формат:** no auto-summary  
**Режим ввода команд:** конфигурирование RIP-маршрутизатора

### *default-information originate (RIP)*

Эта команда используется, чтобы управлять анонсами маршрутов по умолчанию.

**Формат:** default-information originate  
**Режим ввода команд:** конфигурирование RIP-маршрутизатора

### *no default-information originate (RIP)*

Эта команда используется, чтобы управлять анонсами маршрутов по умолчанию.

**Формат:** no default-information originate  
**Режим ввода команд:** конфигурирование RIP-маршрутизатора

### *default-metric (RIP)*

Данная команда используется, чтобы установить значения метрик по умолчанию анонсируемых маршрутов.

**Формат:** default-metric 0-15  
**Режим ввода команд:** конфигурирование RIP-маршрутизатора

### *no default-metric (RIP)*

Команда используется для сброса значения метрик по умолчанию анонсируемых маршрутов.

**Формат:** no default-metric  
**Режим ввода команд:** конфигурирование RIP-маршрутизатора



### ***distance rip***

Эта команда устанавливает значение приоритета RIP-маршрута на маршрутизаторе. При определении оптимального маршрута предпочтение отдается более низким значениям приоритета маршрута. Маршрут со значением *preference* 255 нельзя использовать для передачи трафика.

**Значение по умолчанию:** 15  
**Формат:** `distance rip 1-255`  
**Режим ввода команд:** конфигурирование RIP-маршрутизатора

#### *no distance rip*

Эта команда возвращает приоритет RIP-маршрута на маршрутизаторе в значение по умолчанию.

**Формат:** `no distance rip`  
**Режим ввода команд:** конфигурирование RIP-маршрутизатора

### ***distribute-list out (RIP)***

Используйте эту команду, чтобы настроить фильтр для анонсируемых маршрутов от протокола-источника.

**Значение по умолчанию:** 0  
**Формат:** `distribute-list 1-199 out {ospf | bgp | static | connected}`  
**Режим ввода команд:** конфигурирование RIP-маршрутизатора

#### *no distribute-list out*

Используйте эту команду, чтобы удалить фильтр для анонсируемых маршрутов от протокола-источника.

**Формат:** `no distribute-list 1-199 out {ospf | bgp | static | connected}`  
**Режим ввода команд:** конфигурирование RIP-маршрутизатора

### ***ip rip authentication***

Эта команда устанавливает тип RIP-аутентификации версии 2 и ключ для указанного интерфейса или диапазона интерфейсов. Значение *type* может быть определено как *none*, *simple* или *encrypt*. Значение ключа аутентификации [*key*] должно быть в пределах 16 байт. Значение [*key*] составляется из стандартных символов. Если используется тип *encrypt*, должен быть указан *keyid* в диапазоне от 0 до 255.

Не идентифицированные интерфейсы не нуждаются в ключе аутентификации и идентификаторе ключа.

**Значение по умолчанию:** отсутствует  
**Формат:** `ip rip authentication {none | {simple key} | {encrypt key keyid}}`  
**Режим ввода команд:** конфигурирование интерфейса

### *no ip rip authentication*

Эта команда возвращает тип RIP-аутентификации версии 2 и ключ для указанного интерфейса в значение по умолчанию.

**Формат:** `no ip rip authentication`  
**Режим ввода команд:** конфигурирование интерфейса

### *ip rip receive version*

Данная команда настраивает интерфейс или диапазон интерфейсов разрешать получение контрольных пакетов RIP указанной версии (или нескольких версий).

Значение `mode` может быть: *rip1* — чтобы получать только пакеты RIP версии 1, *rip2* — чтобы получать только пакеты RIP версии 2, *both* — чтобы получать пакеты обоих форматов, или *none* — чтобы запретить принимать контрольные пакеты любых форматов RIP.

**Значение по умолчанию:** `both`  
**Формат:** `ip rip receive version {rip1 | rip2 | both | none}`  
**Режим ввода команд:** конфигурирование интерфейса

### *no ip rip receive version*

Эта команда настраивает интерфейс разрешать получение контрольных пакетов RIP версии по умолчанию.

**Формат:** `no ip rip receive version`  
**Режим ввода команд:** конфигурирование интерфейса

### *ip rip send version*

Эта команда настраивает интерфейс или диапазон интерфейсов разрешать отправку контрольных пакетов RIP указанной версии. Значение `mode` может быть: *rip1* — чтобы передавать пакеты RIP версии 1, *rip1c* (RIP версия 1 в режиме совместимости) — чтобы магистрально передавать пакеты RIP версии 2, *rip2* — чтобы отправлять пакеты RIP версии 2 с помощью многоадресной рассылки, или *none* — чтобы запретить передавать контрольные пакеты любых форматов RIP.

**Значение по умолчанию:** `rip2`  
**Формат:** `ip rip send version {rip1 | rip1c | rip2 | none}`  
**Режим ввода команд:** конфигурирование интерфейса

### *no ip rip send version*

Эта команда настраивает интерфейс или диапазон интерфейсов разрешать отправку контрольных пакетов RIP указанной версии по умолчанию.

**Формат:** `no ip rip send version`  
**Режим ввода команд:** конфигурирование интерфейса

### *hostroutesaccept*

Эта команда включает для RIP режим `hostroutesaccept`.

**Значение по умолчанию:** включено  
**Формат:** hostroutesaccept  
**Режим ввода команд:** конфигурирование RIP-маршрутизатора

*no hostroutesaccept*

Команда выключает для RIP режим hostroutesaccept.

**Формат:** no hostroutesaccept  
**Режим ввода команд:** конфигурирование RIP-маршрутизатора

### ***split-horizon***

Эта команда устанавливает RIP в режим *split horizon*. Split horizon — это техника обхода проблем, которые могут возникнуть при включении маршрутов в обновления, посылаемые маршрутизатору, который изначально распространял данные маршруты. Можно использовать следующие опции. *None* — специальная обработка не требуется. *Simple* — маршрут не будет включаться в обновления, посылаемые маршрутизатору, который изначально распространял данные маршруты. *Poisoned reverse* — маршрут будет включаться в обновления, посылаемые маршрутизатору, который изначально распространял данные маршруты, но связанные метрики будут установлены в бесконечное значение.

**Значение по умолчанию:** simple  
**Формат:** split-horizon {none | simple | poison}  
**Режим ввода команд:** конфигурирование RIP-маршрутизатора

*no split-horizon*

Эта команда возвращает настройки RIP-режима split horizon в значение по умолчанию.

**Формат:** no split-horizon  
**Режим ввода команд:** конфигурирование RIP-маршрутизатора

### ***redistribute (RIP)***

Эта команда настраивает RIP-протокол на распространение маршрутов из указанных протоколов/маршрутизаторов. Внутренние маршруты RIP распространяются по умолчанию.

**Значение по умолчанию:** метрика — не настроена;  
соответствие — внутреннее.  
**Режим ввода команд:** Конфигурирование RIP-маршрутизатора  
**Формат для OSPF в качестве протокола источника:** redistribute ospf [metric 0-15]  
[match[*internal*] [*external 1*] [*external 2*] [*nssa-external 1*]  
[*nssa-external-2*]]  
**Формат для другого протокола-источника:** redistribute {bgp | static | connected} [metric 0-15]

### *no redistribute*

Эта команда удаляет настройку RIP-протокола на распространение маршрутов из указанных протоколов/маршрутизаторов.

**Формат:** `no redistribute {ospf | bgp | static | connected} [metric] [match [internal] [external 1] [external 2] [nssa-external 1] [nssa-external-2]]`

**Режим ввода команд:** конфигурирование RIP-маршрутизатора

### *show ip rip*

Данная команда отображает информацию, относящуюся к RIP-маршрутизатору.

**Формат:** `show ip rip`

**Режим ввода команд:** привилегированный  
пользовательский

<i>Термин</i>	<i>Значение</i>
<b>RIP Admin Mode</b>	Включен или выключен.
<b>Split Horizon Mode</b>	None, simple или poison reverse.
<b>Auto Summary Mode</b>	Enable или disable. При значении enable группы смежных маршрутов объединяются в единую запись, чтобы уменьшить общее количество записей. По умолчанию: enable.
<b>Host Routes Accept Mode</b>	Enable или disable. При значении enable маршрутизатор принимает маршруты узлов. По умолчанию: enable.
<b>Global Route Changes</b>	Количество изменений маршрутов, произведенных RIP в базе данных IP-маршрутов. Не включает в себя обновления времени существования маршрута.
<b>Global queries</b>	Количество откликов, посланных RIP-запросам от других систем.
<b>Default Metric</b>	Значения метрик по умолчанию для распространяемых маршрутов, если таковые уже были установлены, или пустое значение, если таковые не были настроены. Действительные значения: от 1 до 15.
<b>Default Route Advertise</b>	Маршрут по умолчанию.

### *show ip rip interface brief*

Эта команда отображает общую информацию для каждого RIP-интерфейса. Для отображения результатов для каждого интерфейса должна быть включена соответствующая маршрутизация (например, командой ip rip).

**Формат:** `show ip rip interface brief`

**Режим ввода команд:** привилегированный  
пользовательский

<i>Термин</i>	<i>Значение</i>
<b>Interface</b>	<i>unit/slot/port</i>
<b>IP Address</b>	IP-адрес источника, используемый указанным RIP-интерфейсом.
<b>Send Version</b>	RIP-версия (версии), используемая, когда указанному интерфейсу отсылаются обновления. Используемые типы: none, RIP-1, RIP-1с и RIP-2.
<b>Receive Version</b>	RIP версия (версии), разрешенная, когда на указанный интерфейс приходят обновления. Используемые типы: none, RIP-1, RIP-2 и Both.
<b>RIP Mode</b>	Административный режим маршрутизатора с RIP (enabled или disabled).
<b>Link State</b>	Режим интерфейса (enabled или disabled).

### ***show ip rip interface***

Данная команда отображает информацию, относящуюся к определенному RIP-интерфейсу. Аргумент *unit/slot/port* относится к физическому или виртуальному интерфейсу маршрутизации. Ключевое слово *vlan* используется для прямого указания идентификатора VLAN на маршрутизирующем VLAN-интерфейсе (вместо формата *unit/slot/port*).

**Формат:** `show ip rip interface {unit/slot/port|vlan 1-4093}`

**Режим ввода команд:** привилегированный  
пользовательский

<i>Термин</i>	<i>Значение</i>
<b>Interface</b>	Количество ответных пакетов RIP, полученных RIP-процессом и впоследствии отброшенных по какой-либо причине.
<b>IP Address</b>	IP-адрес источника, используемый указанным RIP-интерфейсом.
<b>Send Version</b>	RIP-версия (версии), используемая, когда указанному интерфейсу отсылаются обновления. Используемые типы: none, RIP-1, RIP-1с и RIP-2. Это значение можно настраивать.
<b>Receive Version</b>	RIP версия (версии), разрешенная, когда на указанный интерфейс приходят обновления. Используемые типы: none, RIP-1, RIP-2 и Both. Это значение можно настраивать.
<b>RIP Admin Mode</b>	Административный режим маршрутизатора, где запущен RIP
<b>Link State</b>	Указывает, включен или выключен RIP-интерфейс.
<b>Authentication Type</b>	Тип RIP-аутентификации для указанного интерфейса. Возможные значения: none, simple и encrypt.

Следующая информация будет недействительна, если соединение не поднято.

<i>Термин</i>	<i>Значение</i>
<b>Bad Packets Received</b>	Количество ответных пакетов RIP, полученных RIP-процессом и впоследствии отброшенных по какой-либо причине.
<b>Bad Routes Received</b>	Количество маршрутов, содержащихся в действительных RIP-пакетах, которые по какой-либо причине игнорировались.
<b>Updates Sent</b>	Количество запущенных обновлений RIP, которые фактически поступали на данный интерфейс.

## 10.13 Команды регулирования ICMP-сообщений

В этой части описаны команды, используемые для настройки опций передачи различных типов ICMP-сообщений.

### *ip unreachable*

Данная команда включает генерацию сообщений ICMP Destination Unreachable на интерфейсе или диапазоне интерфейсов. По умолчанию генерация сообщений ICMP Destination Unreachable включена.

**Значение по умолчанию:** включено  
**Формат:** ip unreachable  
**Режим ввода команд:** конфигурирование интерфейса

### *no ip unreachable*

Используйте данную команду, чтобы выключить генерацию сообщений ICMP Destination Unreachable.

**Формат:** no ip unreachable  
**Режим ввода команд:** конфигурирование интерфейса

### *ip redirects*

Данная команда включает генерацию маршрутизатором сообщений ICMP Redirect. По умолчанию генерация сообщений ICMP Redirect включена. Эту команду можно использовать для настройки интерфейса, диапазона интерфейсов или же всех интерфейсов.

**Значение по умолчанию:** включено  
**Формат:** ip redirects  
**Режим ввода команд:** глобальная конфигурация  
 конфигурирование интерфейса  
 конфигурирование виртуального маршрутизатора

### *no ip redirects*

Используйте данную команду, чтобы выключить генерацию маршрутизатором сообщений ICMP Redirect.

---

**Формат:** no ip redirects  
**Режим ввода команд:** глобальная конфигурация  
конфигурирование интерфейса

### ***ipv6 redirects***

Данная команда включает генерацию маршрутизатором сообщений ICMPv6 Redirect. По умолчанию генерация сообщений ICMPv6 Redirect включена. Эту команду можно использовать для настройки интерфейса, диапазона интерфейсов или же всех интерфейсов.

**Значение по умолчанию:** включено  
**Формат:** ipv6 redirects  
**Режим ввода команд:** конфигурирование интерфейса

#### *no ipv6 redirects*

Используйте данную команду, чтобы выключить генерацию маршрутизатором сообщений ICMPv6 Redirect.

**Формат:** no ipv6 redirects  
**Режим ввода команд:** конфигурирование интерфейса

### ***ip icmp echo-reply***

Используйте данную команду, чтобы включить генерацию маршрутизатором сообщений ICMP Echo Reply. По умолчанию генерация сообщений ICMP Echo Reply включена.

**Значение по умолчанию:** включено  
**Формат:** ip icmp echo-reply  
**Режим ввода команд:** глобальная конфигурация  
конфигурирование виртуального маршрутизатора

#### *no ip icmp echo-reply*

Эта команда выключает генерацию маршрутизатором сообщений ICMP Echo Reply.

**Формат:** no ip icmp echo-reply  
**Режим ввода команд:** глобальная конфигурация

### ***ip icmp error-interval***

Используйте данную команду, чтобы ограничить скорость, с которой отсылаются сообщения об ошибке ICMP IPv4. Ограничение скорости настраивается как совокупность параметров *burst-size* и *burst-interval*.

Параметр *burst-interval* определяет, как часто инициализируется ограничение с параметром *burst-size*. Значение *burst-interval* — от 0 до 2 147 483 647 миллисекунд (мс). Параметр *burst-size* — это количество ICMP-сообщений об ошибке, которые могут быть посланы за время *burst-interval*.

Диапазон: от 1 до 200 сообщений. Чтобы выключить ограничение скорости ICMP, необходимо установить параметр `burst-interval` на ноль (0).

**Значение по умолчанию:** `burst-interval` — 1000 мс.  
`burst-size` — 100 сообщений

**Формат:** `ip icmp error-interval burst-interval [burst-size]`

**Режим ввода команд:** глобальная конфигурация  
конфигурирование виртуального маршрутизатора

*no ip icmp error-interval*

Используйте `no`-форму команды, чтобы вернуть `burst-interval` и `burst-size` в значения по умолчанию.

**Формат:** `no ip icmp error-interval`

**Режим ввода команд:** глобальная конфигурация

## 10.14 Команды настройки BFD

Протокол Bidirectional Forwarding Detection (BFD) проверяет двусторонние соединения между маршрутизаторами, которые могут находиться на расстоянии одного или нескольких хопов друг от друга. Протокол работает с любым базовым механизмом передачи и уровнем протокола с широким диапазоном периодов обнаружения, особенно в сценариях, когда требуется быстрое обнаружение сбоев в уровне передачи данных для множества одновременных сессий.

Используйте приведенные ниже команды, чтобы настроить протокол BFD.

### *feature bfd*

Эта команда включает BFD на устройстве. Следует отметить, что для настройки других параметров протокола и интерфейса BFD должен быть включен.

**Значение по умолчанию:** выключено

**Формат:** `feature bfd`

**Режим ввода команд:** глобальная конфигурация

*no feature bfd*

Команда выключает BFD глобально и удаляет данные текущей сессии. Статические настройки сохраняются.

**Формат:** `no feature bfd`

**Режим ввода команд:** глобальная конфигурация

### *bfd*

Данная команда включает BFD на всех интерфейсах, связанных с OSPF-процессом. BFD должен быть включен на отдельном интерфейсе, чтобы запустить включение BFD с этого интерфейса.



**Значение по умолчанию:** выключено  
**Формат:** bfd  
**Режим ввода команд:** конфигурирование OSPF-маршрутизатора

*no bfd*

Данная команда выключает BFD на всех интерфейсах, связанных с OSPF-процессом.

**Формат:** no bfd  
**Режим ввода команд:** конфигурирование OSPF-маршрутизатора

### ***bfd echo***

Эта команда включает эхо-режим BFD на IP-интерфейсе.

**Значение по умолчанию:** выключено  
**Формат:** bfd echo  
**Режим ввода команд:** конфигурирование интерфейса

*no bfd echo*

Команда выключает эхо-режим BFD на IP-интерфейсе.

**Формат:** no bfd echo  
**Режим ввода команд:** конфигурирование интерфейса

### ***bfd interval***

Эта команда настраивает параметры BFD-сессии для всех доступных интерфейсов на устройстве (режим глобальной конфигурации) или для IP-интерфейса (режим конфигурирования интерфейса). Она перекрывает любые текущие настройки BFD на отдельных интерфейсах (в режиме глобальной конфигурации) или глобально настроенные параметры BFD-сессии (в режиме конфигурирования интерфейса).

**Значение по умолчанию:** отсутствует  
**Формат:** bfd interval *transmit-interval* *min\_rx* *minimum-receive-interval* *multiplier* *detection-time-multiplier*  
**Режим ввода команд:** глобальная конфигурация  
 конфигурирование интерфейса

<b><i>Термин</i></b>	<b><i>Значение</i></b>
<b>transmit-interval</b>	Желаемый минимальный интервал передачи, т.е. минимальный интервал, который пользователь хочет использовать при отправке контрольных BFD-пакетов. Выражается в миллисекундах. Диапазон: от 100 до 1000 мс (с шагом изменения в 100), значение по умолчанию — 100 мс.
<b>minimum-receive-interval</b>	Необходимый минимальный интервал получения, т.е. минимальный интервал, с которым система может получать контрольные BFD-пакеты.

	Выражается в миллисекундах. Диапазон: от 100 до 1000 мс (с шагом в 100), значение по умолчанию — 100 мс.
<b>detection-time-multiplier</b>	Количество контрольных BFD-пакетов, которые должны быть пропущены подряд для того, чтобы объявить сессию завершенной. Диапазон составляет от 1 до 50, значение по умолчанию — 3.

### *no bfd interval*

В режиме глобальной конфигурации эта команда возвращает параметры BFD-сессии для всех доступных интерфейсов на устройстве в значения по умолчанию. В режиме конфигурирования интерфейса эта команда возвращает параметры BFD-сессии для всех сессий IP-интерфейса в значения по умолчанию.

**Формат:** `no bfd interval`  
**Режим ввода команд:** глобальная конфигурация  
 конфигурирование интерфейса

### *bfd slow-timer*

Эта команда устанавливает обязательное значение приоритета для интервала получения echo. Это значение определяет интервал, которые используют асинхронные сеансы для контрольных BFD пакетов, когда функция echo включена. Значение slow-timer используется как новый интервал для контрольных пакетов, в то время как echo-пакеты используют настроенные интервалы BFD.

**Значение по умолчанию:** 2000  
**Формат:** `bfd slow-timer echo-receive-interval`  
**Режим ввода команд:** глобальная конфигурация

<i>Термин</i>	<i>Значение</i>
<b>echo-receive-interval</b>	Значение интервала, представленное в миллисекундах. Диапазон — от 1000 до 30000 мс (с шагом в 100), значение по умолчанию — 2000 мс.

### *no bfd slow-timer*

Эта команда устанавливает значение приоритета для BFD slow-timer в значение по умолчанию.

**Формат:** `no bfd slow-timer`  
**Режим ввода команд:** глобальная конфигурация

### *ip ospf bfd*

Эта команда включает BFD на интерфейсах, связанных с процессом OSPF.

**Значение по умолчанию:** выключено  
**Формат:** `ip ospf bfd`  
**Режим ввода команд:** конфигурирование интерфейса

### ***ip ospf bfd***

Команда выключает BFD на интерфейсах, связанных с процессом OSPF.

- Значение по умолчанию:** выключено  
**Формат:** no ip ospf bfd  
**Режим ввода команд:** конфигурирование интерфейса

### ***neighbor fall-over bfd***

Эта команда включает в BFD поддержку быстрого аварийного переключения на BGP-соседа.

- Значение по умолчанию:** выключено  
**Формат:** neighbor *ipaddress* fall-over bfd  
**Режим ввода команд:** конфигурирование BGP-маршрутизатора

### ***no neighbor fall-over bfd***

Команда выключает поддержку аварийного переключения BGP-соседа посредством протокола BFD.

- Формат:** no neighbor *ipaddress* fall-over bfd  
**Режим ввода команд:** конфигурирование BGP-маршрутизатора

### ***show bfd neighbors***

Эта команда отображает список BFD-смежностей, перечисляющий активных BFD-соседей.

- Формат:** show bfd neighbors [details]  
**Режим ввода команд:** привилегированный

<b><i>Параметр</i></b>	<b><i>Описание</i></b>
<b>details</b>	Предоставляет дополнительные подробности, зарегистрированные BFD, и отображает статус административного режима: Enabled или Disabled.

Отображается информация, представленная ниже.

<b><i>Параметр</i></b>	<b><i>Описание</i></b>
<b>Our IP address</b>	Текущий IP-адрес.
<b>Neighbor IP address</b>	IP-адрес активного BFD-соседа
<b>State</b>	Текущий статус: Up или Down.
<b>Interface</b>	Текущий интерфейс.
<b>Uptime</b>	Период активности интерфейса.
<b>Registered Protocol</b>	Протокол, с которого была запущена сессия BFD и который зарегистрирован на прием событий от BFD (например, BGP).
<b>Local Diag</b>	Состояние диагностики, указывающее причину недавних изменений в статусе локальной сессии.

<b>Demand mode</b>	Указывает, намерена ли система использовать режим Demand.  Примечание. Режим Demand не поддерживается в текущей версии ПО.
<b>Minimum transmit interval</b>	Минимальный интервал, используемый при передаче контрольных BFD-пакетов.
<b>Actual TX Interval</b>	Интервал передачи, используемый при передаче контрольных пакетов.
<b>Actual TX Echo interval</b>	Интервал передачи, используемый при передаче echo-пакетов.
<b>Minimum receive interval</b>	Минимальный интервал, с которым система может принимать контрольные BFD-пакеты.
<b>Detection interval multiplier</b>	Количество контрольных BFD-пакетов, которые должны быть пропущены подряд для того, чтобы объявить сессию завершенной.
<b>My discriminator</b>	Уникальный идентификатор для локальной BFD-сессии.
<b>Your discriminator</b>	Уникальный идентификатор для удаленной BFD-сессии.
<b>Tx Count</b>	Количество переданных BFD-пакетов.
<b>Rx Count</b>	Количество принятых BFD-пакетов.
<b>Drop Count</b>	Количество отброшенных пакетов.

### ***debug bfd event***

Данная команда отображает информацию о BFD-статусе передачи.

**Формат:** `debug bfd event`

**Режим ввода команд:** привилегированный

### ***debug bfd packet***

Эта команда отображает информацию об отладке контрольных BFD-пакетов.

**Формат:** `debug bfd packet`

**Режим ввода команд:** привилегированный

## 11 КОМАНДЫ BGP<sup>1</sup>

В этом разделе описаны команды, используемые для просмотра и настройки протокола BGP, который является протоколом маршрутизации трафика между автономными системами.



Команды в этом разделе делятся на три функциональные группы:

- Команды просмотра оперативного состояния устройства, которые отображают настройки коммутатора, статистику и другую информацию.
- Команды настройки, которые задают характеристики и настройки коммутатора. Для каждой команды настройки существует команда просмотра оперативного состояния устройства, отображающая текущие параметры конфигурации.
- Команды очистки частично сбрасывают состояние протокола.

Параметр	Описание
as-number	Номер автономной системы маршрутизатора (ASN). Указывается в диапазоне 1–429496729.

### *no router bgp*

При выполнении команды *no router bgp* BGP выключается, при этом все конфигурации BGP возвращаются в значения по умолчанию. Можно также использовать команду *no enable (BGP)* в режиме конфигурирования BGP-маршрутизатора, чтобы глобально выключить BGP без сброса конфигурации.

**Значение по умолчанию:** BGP неактивен.  
**Формат:** *no router bgp as-number*  
**Режим ввода команд:** глобальная конфигурация

### *address-family ipv4*

Для входа в режим конфигурирования семейства адресов IPv4 VRF и настройки параметров BGP VRF используется команда *address-family ipv4 vrf* в режиме конфигурирования BGP-маршрутизатора. Команды, вводимые в этом режиме, дают возможность установления соединения с соседними узлами BGP в рамках данного экземпляра VRF. Все команды для настройки соединения с соседним узлом также приведены в этом режиме.

**Значение по умолчанию:** конфигурация VRF выключена.  
**Формат:** *address-family ipv4 vrf vrf-name*  
**Режим ввода команд:** конфигурирование BGP-маршрутизатора

### *no address-family ipv4*

Используйте *no*-форму команды, чтобы удалить конфигурацию IPv4 VRF.

<sup>1</sup> Данный функционал доступен при наличии лицензии BGP. Для активации свяжитесь со службой технической поддержки.

**Формат:** no address-family ipv4 vrf *vrf-name*

**Режим ввода команд:** конфигурирование BGP-маршрутизатора

### ***address-family ipv6***

Для входа в режим конфигурирования семейства адресов IPv6 и указания специальных параметров конфигурации для IPv6 используйте команду `address-family ipv6` в режиме конфигурирования BGP-маршрутизатора. Команды, введенные в этом режиме, используются для обеспечения обмена IPv6-маршрутами, настройки генерируемых IPv6-префиксов и настройки входящих и исходящих политик, применяемых к IPv6-маршрутам.

**Значение по умолчанию:** обмен IPv6-маршрутами выключен.

**Формат:** address-family ipv6

**Режим ввода команд:** конфигурирование BGP-маршрутизатора

### ***no address-family ipv6***

Используйте по-форму команды, чтобы удалить конфигурацию семейства адресов IPv6.

**Формат:** no address-family ipv6

**Режим ввода команд:** конфигурирование BGP-маршрутизатора

### ***address-family vpnv4 unicast***

Эта команда входит в режим конфигурирования семейства адресов VPNv4 и устанавливает сессию маршрутизации для распространения адресов VPN IPv4 (VPNv4) через магистральную сеть. Если соседний узел iBGP находится в этом режиме, каждый префикс VPNv4 генерируется как глобально уникальный путем добавления 8-байтового параметра Route Distinguisher (RD). В адрес соседнего узла отправляются только одноадресные префиксы.

В режиме конфигурирования семейства адресов VPNv4 доступны следующие команды:

- `neighbor ip-address activate`
- `neighbor ip-address send-community extended`

Для выхода из режима конфигурирования семейства адресов VPNv4 используйте команду `exit`.

**Значение по умолчанию:** режим конфигурирования семейства адресов VPNv4 выключен.

**Формат:** address-family vpnv4 unicast

**Режим ввода команд:** конфигурирование BGP-маршрутизатора

### ***no address-family vpnv4 unicast***

Используйте по-форму команды, чтобы удалить конфигурацию, настроенную в этом режиме.

**Формат:** no address-family vpnv4 unicast

**Режим ввода команд:** конфигурирование BGP-маршрутизатора

## aggregate-address

Чтобы настроить агрегированный адрес для BGP, используйте команду `aggregate-address` в режиме конфигурирования маршрутизатора. По умолчанию агрегированные адреса не настроены. Если дополнительные параметры не указаны, агрегированный адрес анонсируется с атрибутом `ATOMIC_AGGREGATE` и пустым значением `AS Path`. Параллельно с агрегированным адресом анонсируются более конкретные маршруты.

Соответствующими агрегированному адресу считаются более точные префиксы (т. е. префиксы с большей длиной, чем агрегированный адрес). Префикс, равный по длине агрегированному адресу, не считается соответствующим.

Когда BGP формирует агрегированный адрес, одновременно в общей таблице маршрутизации устанавливается маршрут отказа для агрегированного префикса. Любые принятые пакеты, которые соответствуют агрегированному префиксу (и не соответствуют более конкретному маршруту), считаются соответствующими маршруту отказа и отбрасываются.

BGP поддерживает до 128 агрегированных адресов для каждого семейства адресов.

**Значение по умолчанию:** По умолчанию агрегированные адреса не настроены. Если дополнительные параметры не указаны, агрегированный адрес анонсируется с атрибутом `ATOMIC_AGGREGATE` и пустым значением `AS Path`. Параллельно с агрегированным адресом анонсируются более конкретные маршруты.

**Формат:** `aggregate-address {address mask|ipv6-prefix/pfx-len} [as-set] [summary-only]`

**Режим ввода команд:** конфигурирование BGP-маршрутизатора  
конфигурирование семейства адресов IPv4 VRF

Параметр	Описание
<code>address mask</code>	Агрегированный IPv4-префикс и маска. Маршрут по умолчанию (0.0.0.0 0.0.0.0) не может быть настроен как агрегированный адрес. Маска не может быть 32-битной (255.255.255.255). Сочетание префикса и маски должно являться допустимым одноадресным префиксом адреса назначения.
<code>ipv6-prefix/pfx</code>	Агрегированный IPv6-префикс и длина префикса. Диапазон длины префикса составляет от 1 до 127.
<code>as-set</code>	(Необязательный параметр.) Обычно агрегированный маршрут анонсируется с пустым полем <code>AS Path</code> и атрибутом <code>ATOMIC_AGGREGATE</code> . Если настроен параметр <code>as-set</code> , агрегированный маршрут анонсируется с указанием <code>AS_PATH</code> . Если значение <code>AS_PATH</code> всех объединяемых маршрутов одно и то же, <code>AS_PATH</code> агрегированного маршрута с ним совпадает. Если же объединяемые маршруты имеют различные значения <code>AS_PATH</code> , <code>AS_PATH</code> агрегированного маршрута включает в себя <code>AS_SET</code> с перечислением всех номеров AS, упомянутых в <code>AS_PATH</code> объединяемых маршрутов. Если параметр <code>as-set</code> не задан, агрегированный маршрут анонсируется с пустым полем <code>AS_PATH</code> .
<code>summary-only</code>	(Необязательный параметр.) Когда указан параметр

	summary-only, более конкретные маршруты в пределах агрегированного адреса не анонсируются соседним узлам.
--	---

### *no aggregate-address*

Используйте эту команду, чтобы удалить агрегированный адрес BGP. Параметр address mask представляет собой агрегированный префикс и маску.

**Формат:** no aggregate-address address mask  
**Режим ввода команд:** конфигурирование BGP-маршрутизатора  
 конфигурирование семейства адресов IPv4 VRF

### ***bgp aggregate-different-meds***

Используйте команду `bgp aggregate-different meds`, чтобы разрешить объединение маршрутов с различными атрибутами MED. По умолчанию в BGP разрешено объединять только те маршруты, которые имеют одинаковое значение MED, как предписывается стандартом RFC 4271.

При использовании этой команды для активного агрегированного адреса можно анонсировать путь без атрибута MED. Если данная команда не используется и несколько маршрутов объединяются в агрегированный адрес, имея при этом разные атрибуты MED, в агрегированном адресе будет использован MED первого соответствующего маршрута. Любой другой соответствующий префикс с тем же MED включается в агрегированный маршрут. Соответствующие префиксы с другими MED не считаются частью агрегированного маршрута и продолжают анонсироваться в качестве индивидуальных маршрутов.

**Значение по умолчанию:** все маршруты, объединенные в данном агрегированном адресе, должны иметь одинаковое значение MED.  
**Формат:** `bgp aggregate-different-meds`  
**Режим ввода команд:** конфигурирование BGP-маршрутизатора  
 конфигурирование семейства адресов IPv6  
 конфигурирование семейства адресов IPv4 VRF

### *no bgp aggregate-different-meds*

Используйте команду `no bgp aggregate-different meds` в режиме конфигурирования BGP-маршрутизатора, чтобы вернуть соответствующие настройки в значение по умолчанию.

**Формат:** no bgp aggregate-different-meds  
**Режим ввода команд:** конфигурирование BGP-маршрутизатора  
 конфигурирование семейства адресов IPv6  
 конфигурирование семейства адресов IPv4 VRF

### ***bgp always-compare-med***

Данная команда используется для настройки сравнения значений MED в процессе принятия решения по маршрутам, полученным из разных AS. MED представляет собой 32-битное целое число, которое обычно устанавливается внешним узлом и указывает внутреннюю дистанцию до целевого узла. В процессе принятия решения значения MED сравниваются, и приоритет отдается маршрутам с более короткой внутренней дистанцией. Поскольку разные AS могут использовать



различные метрики внутренней дистанции или иметь различные политики настройки MED, процесс принятия решений обычно не сравнивает значения MED в маршрутах, полученных от узлов из других автономных систем. Эта команда позволяет принудительно включить в BGP сравнение атрибутов MED для маршрутов, полученных из любых AS.

**Значение по умолчанию:** значения MED сравниваются только для маршрутов, полученных от узлов в той же AS.

**Формат:** `bgp always-compare-med`

**Режим ввода команд:** конфигурирование BGP-маршрутизатора  
 конфигурирование семейства адресов IPv6  
 конфигурирование семейства адресов IPv4 VRF

*no bgp always-compare-med*

Используйте по-форму команды, чтобы вернуться к режиму по умолчанию, когда значения MED сравниваются только для путей, полученных от соседей в той же AS.

**Формат:** `no bgp always-compare-med`

**Режим ввода команд:** конфигурирование BGP-маршрутизатора  
 конфигурирование семейства адресов IPv6  
 конфигурирование семейства адресов IPv4 VRF

### ***bgp bestpath as-path ignore***

Команда `bgp bestpath as-path ignore` в режиме конфигурирования маршрутизатора позволяет включить игнорирование длины AS-PATH в процессе принятия решения по расчету оптимального пути. Для IPv6-маршрутов эта команда настраивается в режиме конфигурирования семейства адресов IPv6. Чтобы повлиять на вычисление ECMP-маршрутов, требуется настроить параметр AS-PATH.

**Значение по умолчанию:** длина AS-PATH учитывается в протоколе BGP при расчете оптимального пути.

**Формат:** `bgp bestpath as-path ignore`

**Режим ввода команд:** конфигурирование BGP-маршрутизатора  
 конфигурирование семейства адресов IPv6  
 конфигурирование семейства адресов IPv4 VRF

*no bgp bestpath as-path ignore*

Используйте по-форму команды, чтобы вернуться к режиму по умолчанию, при котором длина AS-PATH в протоколе BGP не игнорируется.

**Формат:** `no bgp bestpath as-path ignore`

**Режим ввода команд:** конфигурирование BGP-маршрутизатора  
 конфигурирование семейства адресов IPv6  
 конфигурирование семейства адресов IPv4 VRF

## ***bgp client-to-client reflection***

По умолчанию Route Reflector отражает маршруты, полученные от одних клиентов, по направлению к другим клиентам. Однако если клиенты Route Reflector обладают полносвязной BGP-топологией (full mesh), отражение маршрутов таким клиентам не выполняется. Команда `bgp client-to-client reflection`, в зависимости от режима выполнения, включает отражение между клиентами маршрутов IPv4, IPv6 или IPv4 VRF.

Отражение маршрута может повлиять на выбор маршрутов клиентами. Route Reflector отражает только те маршруты, которые были выбраны в качестве оптимальных. На выбор оптимального маршрута к ближайшему BGP-узлу может влиять IGP-метрика маршрута. Поскольку IGP-дистанция до конкретного ближайшего узла на клиенте может отличаться от IGP-дистанции, переданной Route Reflector, Route Reflector может не выполнять дальнейшее анонсирование маршрута, выбранного клиентом в качестве оптимального в отсутствие сигналов от Route Reflector. Избежать такого эффекта можно, в частности, путем обеспечения полносвязной BGP-топологии на всех клиентах внутри кластера. При наличии полносвязной BGP-топологии у Route Reflector пропадает необходимость отражать маршруты одних клиентов в адрес других клиентов того же кластера. Когда отражение от клиента к клиенту выключено, Route Reflector продолжает отражать маршруты неклиентских узлов клиентам и в обратном направлении.

**Значение по умолчанию:** если маршрутизатор настроен в качестве Route Reflector, отражение от клиента к клиенту включено.

**Формат:** `bgp client-to-client reflection`

**Режим ввода команд:** конфигурирование BGP-маршрутизатора  
конфигурирование семейства адресов IPv6  
конфигурирование семейства адресов IPv4 VRF

### *no bgp client-to-client reflection*

**Формат:** `no bgp client-to-client reflection`

**Режим ввода команд:** конфигурирование BGP-маршрутизатора  
конфигурирование семейства адресов IPv6  
конфигурирование семейства адресов IPv4 VRF

## ***bgp cluster-id***

Используйте команду `bgp cluster-id` в режиме конфигурирования BGP-маршрутизатора, чтобы указать идентификатор кластера для Route Reflector. Чтобы вернуть идентификатор кластера в значение по умолчанию, используйте `no`-форму этой команды.

Route Reflector и его клиенты образуют кластер. Поскольку кластер с одним Route Reflector имеет единственную точку отказа, можно настроить кластер с несколькими Route Reflector. Чтобы избежать отправки клиенту нескольких копий маршрута, каждый Route Reflector нужно настроить с указанием одного и того же идентификатора кластера. Используемые Route Reflector с одинаковым идентификатором кластера должны иметь одинаковый набор клиентов, иначе некоторые маршруты могут быть не отражены в адрес отдельных клиентов. Для отражения IPv4- и IPv6-маршрутов используется один и тот же идентификатор кластера.

**Значение по умолчанию:** Route Reflector без настроенного идентификатора кластера использует вместо него свой идентификатор BGP-маршрутизатора (настроенный командой `bgp router-id`).

**Формат:** `bgp cluster-id cluster-id`

**Режим ввода команд:** конфигурирование BGP-маршрутизатора  
 конфигурирование семейства адресов IPv4 VRF

<i>Параметр</i>	<i>Описание</i>
<b>cluster-id</b>	Отличный от нуля 32-битный идентификатор, который идентифицирует кластер Route Reflector и связанных клиентов. Идентификатор кластера может быть введен в формате с точками, как IPv4-адрес, или как целое число.

*no bgp cluster-id*

**Формат:** `no bgp cluster-id cluster-id`

**Режим ввода команд:** конфигурирование BGP-маршрутизатора  
 конфигурирование семейства адресов IPv4 VRF

### ***bgp default local-preference***

Используйте эту команду для указания локального приоритета по умолчанию. Локальный приоритет является атрибутом, отправляемым внутренним узлам для указания уровня приоритета маршрута. Маршрут с более высоким численным значением локального приоритета является предпочтительным.

BGP назначает локальный приоритет по умолчанию для каждого пути, полученного от внешнего узла. (Значения LOCAL\_PREF для путей, полученных от внутренних узлов, не меняются.) BGP также назначает локальный приоритет по умолчанию для локально созданных путей. При изменении значения локального приоритета по умолчанию BGP автоматически инициирует программную внутреннюю перезагрузку для всех узлов, чтобы применить новое значение локального приоритета.

**Значение по умолчанию:** Если эта команда не использована, BGP анонсирует внутренним узлам локальный приоритет 100 в сообщениях UPDATE.

**Формат:** `bgp default local-preference number`

**Режим ввода команд:** конфигурирование BGP-маршрутизатора  
 конфигурирование семейства адресов IPv4 VRF

<i>Параметр</i>	<i>Описание</i>
<b>number</b>	Значение для использования в качестве локального приоритета, анонсируемого на внутренние узлы. Диапазон — от 0 до 4 294 967 295.

*no bgp default local-preference*

Эта команда устанавливает локальный приоритет BGP-маршрутизатора в значение по умолчанию.

**Формат:** `no bgp default local-preference`

**Режим ввода команд:** конфигурирование BGP-маршрутизатора  
 конфигурирование семейства адресов IPv4 VRF

### ***bgp fast-external-failover***

Данная команда настраивает BGP на выполнение немедленного сброса смежности с внешним узлом в случае отказа интерфейса маршрутизации. Когда в BGP поступает событие отказа интерфейса маршрутизации, BGP сбрасывает смежность со всеми внешними узлами, IPv4-адреса которых принадлежат к подсетям неисправного интерфейса. Для определенных интерфейсов такой режим можно перенастроить с помощью команды `ip-bgp fast-external-failover`.

**Значение по умолчанию:** режим fast external failover включен.  
**Формат:** `bgp fast-external-failover`  
**Режим ввода команд:** конфигурирование BGP-маршрутизатора  
конфигурирование семейства адресов IPv4 VRF

#### *no bgp fast-external-failover*

Используйте эту команду, чтобы выключить режим fast-external-failover в BGP.

**Формат:** `no bgp fast-external-failover`  
**Режим ввода команд:** конфигурирование BGP-маршрутизатора  
конфигурирование семейства адресов IPv4 VRF

### ***bgp fast-internal-failover***

Эта команда настраивает BGP на выполнение немедленного сброса смежности с внутренним узлом, если таковой оказывается недоступным. BGP отслеживает доступность каждого внутреннего узла по IP-адресу. Если узел становится недоступным (т. е. в RIB больше не находится путей к IP-адресу узла, отличных от пути по умолчанию), протокол BGP сбрасывает смежность.

**Значение по умолчанию:** режим fast internal failover включен.  
**Формат:** `bgp fast-internal-failover`  
**Режим ввода команд:** конфигурирование BGP-маршрутизатора  
конфигурирование семейства адресов IPv4 VRF

#### *no bgp fast-internal-failover*

Используйте эту команду, чтобы вернуть настройки команды `bgp fast-internal-failover` в значения по умолчанию.

**Формат:** `no bgp fast-internal-failover`  
**Режим ввода команд:** конфигурирование BGP-маршрутизатора  
конфигурирование семейства адресов IPv4 VRF

### ***bgp listen***

Используйте эту команду, чтобы активировать в IPv4 BGP функцию динамического обнаружения соседей, создать диапазон IPv4- или IPv6-адресов для прослушивания и связать его с указанным шаблоном узла сети.

Используйте значение `max-number`, чтобы задать глобальное максимальное количество создаваемых динамических соседей IPv4 BGP.

Динамические соседние BGP-узлы настраиваются с использованием диапазона IP-адресов и групп BGP-узлов. Каждый диапазон может быть настроен как IP-адрес подсети. После того как для группы BGP-узлов настроен диапазон подсети и инициирована TCP-сессия для IP-адреса в диапазоне подсети, новый соседний BGP-узел создается динамическим.

Динамически создаваемые соседи не отображаются в текущей конфигурации.

Если имя шаблона узла сети не указано, все создаваемые динамические соседние узлы наследуют параметры по умолчанию. Имя шаблона узла сети для диапазона прослушивания может быть назначено/изменено в любое время.

Максимальное совокупное количество групп для диапазона прослушивания IPv4 и IPv6 равно 10.

**Значение по умолчанию:** с диапазоном BGP-подсетей прослушивания не связана ни одна подсеть, функция динамического обнаружения BGP-соседей не активна.

**Формат:** `bgp listen { limit max-number | range network / length [ inherit peer peer-template-name ] }`

**Режим ввода команд:** конфигурирование BGP-маршрутизатора  
конфигурирование семейства адресов IPv6

<i>Параметр</i>	<i>Описание</i>
<code>limit <i>max-number</i></code>	Устанавливает предельное количество BGP-соседей для динамического диапазона подсети IPv4. Выражается числом от 1 до 100. По умолчанию — 20.
<code>range <i>network</i> / <i>length</i></code>	Указывает диапазон подсетей прослушивания, который должен быть создан. Параметр <code>length</code> — это IP-префикс, который представляет подсеть. Длина маски подсети обозначается в битах. Параметр <code>network</code> — это действительный IPv4-префикс.
<code>inherit peer <i>peer-template-name</i></code>	(Необязательный параметр.) Указывает имя BGP-шаблона узла сети, который требуется связать с указанным диапазоном подсетей прослушивания, чтобы его параметры наследовались динамически создаваемыми соседями. Шаблон будет наследоваться динамически создаваемыми соседями.

### *no bgp listen*

Используйте эту команду, чтобы выключить в IPv4 BGP функцию динамического обнаружения соседей, удалить диапазон IPv4-адресов для прослушивания и удалить его связь с указанным шаблоном узла сети.

**Формат:** `no bgp listen { limit | range network / length [ inherit peer peer-template-name ] }`

**Режим ввода команд:** конфигурирование BGP-маршрутизатора

### ***bgp log-neighbor-changes***

Используйте эту команду, чтобы включить ведение журнала изменений состояний смежности. В журнале регистрируются прямые и обратные изменения состояний смежности. Прямые изменения состояния, за исключением переходов в состояние Established, регистрируются с уровнем критичности Informational. Обратные изменения и переход в состояние Established регистрируются с уровнем критичности Notice.

**Значение по умолчанию:** изменения состояний смежности не регистрируются.

**Формат:** `bgp log-neighbor-changes`

**Режим ввода команд:** конфигурирование BGP-маршрутизатора  
конфигурирование семейства адресов IPv4 VRF

#### *no bgp log-neighbor-changes*

Используйте эту команду, чтобы вернуть настройки команды `bgp log-neighbor-changes` в значение по умолчанию.

**Формат:** `no bgp log-neighbor-changes`

**Режим ввода команд:** конфигурирование BGP-маршрутизатора  
конфигурирование семейства адресов IPv4 VRF

### ***bgp maxas-limit***

Команда `bgp maxas-limit` в режиме конфигурирования маршрутизатора позволяет указать ограничение длины для значений AS Path, которые BGP принимает от соседних узлов. Если BGP получает путь, в котором атрибут AS Path длиннее установленного ограничения, BGP отправляет сообщение NOTIFICATION и сбрасывает смежность.

**Значение по умолчанию:** BGP принимает атрибуты AS Path длиной до 75 номеров AS.

**Формат:** `bgp maxas-limit number`

**Режим ввода команд:** конфигурирование BGP-маршрутизатора  
конфигурирование семейства адресов IPv4 VRF

<b>Параметр</b>	<b>Описание</b>
<b>number</b>	Максимальная длина атрибута AS Path, который может быть принят BGP от любого из соседей. Длина — это количество номеров AS, перечисленных в данном пути. Ограничение может быть установлено как любое число от 1 до 100.

#### *no bgp maxas-limit*

Чтобы вернуться в значение по умолчанию, используйте по-форму этой команды.

**Формат:** `no bgp maxas-limit`

**Режим ввода команд:** конфигурирование BGP-маршрутизатора  
конфигурирование семейства адресов IPv4 VRF

## ***bgp router-id***

Используйте эту команду, чтобы установить идентификатор BGP-маршрутизатора. Значения по умолчанию для идентификатора BGP-маршрутизатора нет. Система не может выбрать идентификатор маршрутизатора автоматически. Его необходимо настроить вручную.

Идентификатор BGP-маршрутизатора должен быть действительным одноадресным IPv4-адресом, не обязательно назначенным данному маршрутизатору. Идентификатор маршрутизатора указывается в формате IP-адреса, разделенном точками. Установка идентификатора маршрутизатора в значение 0.0.0.0 выключает BGP. Изменение существующего идентификатора маршрутизатора приводит к выключению и повторному включению BGP, в результате чего все смежности создаются заново.

**Значение по умолчанию:** 0.0.0.0

**Формат:** `bgp router-id router-id`

**Режим ввода команд:** конфигурирование BGP-маршрутизатора

<i>Параметр</i>	<i>Описание</i>
<code>router-id</code>	IPv4-адрес для использования в качестве идентификатора BGP-маршрутизатора.

## ***no bgp router-id***

Данная команда сбрасывает идентификатор BGP-маршрутизатора и выключает протокол BGP.

**Формат:** `no bgp router-id router-id`

**Режим ввода команд:** конфигурирование BGP-маршрутизатора

## ***default-information originate***

Эта команда разрешает BGP создать маршрут по умолчанию (для BGP, IPv4 VRF или IPv6, в зависимости от режима). По умолчанию BGP не создает маршрут по умолчанию. Если маршрут по умолчанию перераспределен в BGP, BGP не анонсирует такой маршрут по умолчанию, пока не будет выполнена команда `default-information originate`. Опция `always` по умолчанию выключена.

**Значение по умолчанию:** BGP не создает маршрут по умолчанию. Опция **always** по умолчанию выключена.

**Формат:** `default-information originate [always]`

**Режим ввода команд:** конфигурирование BGP-маршрутизатора  
 конфигурирование семейства адресов IPv4 VRF  
 конфигурирование семейства адресов IPv6

<i>Параметр</i>	<i>Описание</i>
<code>always</code>	(Необязательный параметр.) Ключевое слово, которое позволяет BGP создавать маршрут по умолчанию, даже если таковой отсутствует в общей таблице маршрутизации.

### *no default-information originate*

Используйте эту команду, чтобы выключить в BGP создание маршрута по умолчанию.

**Формат:** `no default-information originate`  
**Режим ввода команд:** конфигурирование BGP-маршрутизатора  
 конфигурирование семейства адресов IPv4 VRF  
 конфигурирование семейства адресов IPv6

### *default metric*

Используйте эту команду, чтобы установить значение атрибута Multi Exit Discriminator (MED) для перераспределенных маршрутов (BGP, IPv4 VRF или IPv6, в зависимости от режима), если в команде redistribute (конфигурирование BGP-маршрутизатора) метрики заданы не были.

**Значение по умолчанию:** метрики не установлены, в перераспределенные маршруты не включается значение MED.

**Формат:** `default-metric value`  
**Режим ввода команд:** конфигурирование BGP-маршрутизатора  
 конфигурирование семейства адресов IPv4 VRF  
 конфигурирование семейства адресов IPv6

Параметр	Описание
value	Значение для установки в качестве MED. Диапазон — от 1 до 4 294 967 295.

### *no default metric*

Используйте эту команду, чтобы удалить значение по умолчанию для метрики перераспределенных маршрутов.

**Формат:** `no default-metric`  
**Режим ввода команд:** конфигурирование BGP-маршрутизатора  
 конфигурирование семейства адресов IPv4 VRF  
 конфигурирование семейства адресов IPv6

### *distance (конфигурирование BGP-маршрутизатора)*

Используйте эту команду для установки приоритета (также называемого «административной дистанцией») для BGP-маршрутов указанных направлений. Можно использовать до 128 экземпляров этой команды. Каждый экземпляр команды должен иметь собственный префикс и маску. Если команда distance выполняется с настройками префикса и маски ранее выполненной аналогичной команды, настройки новой команды заменяют ранее выполненные настройки. Значения префикса и маски из конфигурации различных команд могут перекрываться. Если возникло такое наложение, к маршрутам соседнего узла применяются команды, в которых значения префикса и маски наиболее полно совпадают с адресом данного узла.

Дистанция для ESRP-маршрутов определяется путем применения команды distance к соседнему узлу, который обеспечивает наилучший маршрут.



Команда `distance` не применяется к существующим маршрутам. Чтобы применить изменения конфигурации к самой команде `distance` или к используемому в команде списку префиксов, придется выполнить жесткую перезагрузку всех затрагиваемых соседей.

**Значение по умолчанию:** BGP устанавливает значения приоритета в соответствии с командой `distance bgp`, пока они не переопределены для конкретных соседей или префиксов данной командой.

**Формат:** `distance distance [prefix wildcard-mask [prefix-list]]`

**Режим ввода команд:** конфигурирование BGP-маршрутизатора

Параметр	Описание
<code>distance</code>	Значение приоритета для совпадающих маршрутов. Диапазон — от 1 до 255.
<code>prefix wildcard-mask</code>	(Необязательный параметр.) Указанное значение <code>distance</code> присваивается маршрутам, изученным BGP от узлов, адреса которых находятся в пределах этого префикса. Параметр <code>wildcard-mask</code> представляет собой перевернутую маску сети, где 1 бит указывает на незначимую часть префикса.
<code>prefix-list</code>	(Необязательный параметр.) Можно дополнительно определить <code>prefix-list</code> , чтобы ограничить значение дистанции определенным набором префиксов, изученных от соответствующих соседей.

#### *no distance (конфигурирование BGP-маршрутизатора)*

Используйте эту команду, чтобы установить предпочтение для BGP-маршрутов в значение по умолчанию.

**Формат:** `no distance distance [prefix wildcard-mask [prefix-list]]`

**Режим ввода команд:** конфигурирование BGP-маршрутизатора

#### ***distance BGP***

Используйте эту команду для установки приоритета (также называемого «административной дистанцией») для BGP-маршрутов. Различные значения дистанции можно настроить для маршрутов, изученных от внешних узлов, изученных от внутренних узлов и локально созданных BGP-маршрутов. Маршрут с более низким значением приоритета будет предпочтительней маршрута к тому же пункту назначения с более высоким значением приоритета. Маршруты с приоритетом 255 не могут быть выбраны в качестве оптимальных маршрутов и использованы для переадресации.

Изменение дистанций BGP по умолчанию не влияет на существующие маршруты. Чтобы применить изменение дистанции к существующим маршрутам, необходимо выполнить их принудительное удаление из RIB и повторное изучение. Это можно выполнить за счет перезагрузки узлов, от которых были изучены маршруты, или за счет выключения и повторного включения протокола BGP.

**Значение по умолчанию:** внешний — 20  
внутренний — 200  
локальный — 200

**Формат:** `distance bgp external-distance internal-distance local-distance`

**Режим ввода команд:** конфигурирование BGP-маршрутизатора  
 конфигурирование семейства адресов IPv4 VRF  
 конфигурирование семейства адресов IPv6

<i>Параметр</i>	<i>Описание</i>
<b>external-distance</b>	Значение приоритета для маршрутов, изученных от внешних узлов. Диапазон — от 1 до 255.
<b>internal-distance</b>	Значение приоритета для маршрутов, изученных от внутренних узлов. Диапазон — от 1 до 255.
<b>local-distance</b>	Значение приоритета для локально созданных маршрутов. Диапазон — от 1 до 255.

### *no distance BGP*

Используйте эту команду, чтобы установить в значение по умолчанию приоритеты BGP-маршрутов на маршрутизаторе.

**Формат:** `no distance bgp`

**Режим ввода команд:** конфигурирование BGP-маршрутизатора

### *distribute-list prefix in*

Используйте эту команду, чтобы настроить фильтр на основе префикса места назначения для BGP-маршрутов, принимаемых от всех соседних устройств. Список анонсирования применяется ко всем маршрутам, полученным от всех соседей. Однако принимаются только маршруты, разрешенные списком префиксов. Если команда ссылается на несуществующий список префиксов, она принимается, при этом все маршруты считаются разрешенными.

**Значение по умолчанию:** списки анонсирования не заданы.

**Формат:** `distribute-list prefix list-name in`

**Режим ввода команд:** конфигурирование BGP-маршрутизатора  
 конфигурирование семейства адресов IPv4 VRF

<i>Параметр</i>	<i>Описание</i>
<b>list-name</b>	Список префиксов, используемый для фильтрации всех принимаемых маршрутов на основе префикса места назначения.

### *no distribute-list prefix in*

Эта команда выключает фильтр на основе префикса места назначения для BGP-маршрутов, принимаемых от всех соседних устройств.

**Формат:** `no distribute-list prefix list-name in`

**Режим ввода команд:** конфигурирование BGP-маршрутизатора  
 конфигурирование семейства адресов IPv4 VRF

## ***distribute-list prefix out***

Используйте эту команду, чтобы настроить фильтр для анонсируемых маршрутов на основе префикса места назначения. Для каждого источника маршрута (RIP, OSPF, статического, подключенного) может быть выполнен только один экземпляр этой команды. Одним из экземпляров этой команды также может стать глобальный фильтр для исходящих префиксов.

Если команда ссылается на несуществующий список префиксов, она принимается, при этом все маршруты считаются разрешенными.

Если список анонсирования добавляется, изменяется или удаляется для перераспределения маршрутов, BGP автоматически переоценивает все оптимальные маршруты.

**Значение по умолчанию:** списки анонсирования не заданы.

**Формат:** `distribute-list prefix list-name out [ protocol | connected | static ]`

**Режим ввода команд:** конфигурирование BGP-маршрутизатора  
конфигурирование семейства адресов IPv4 VRF

<b>Параметр</b>	<b>Описание</b>
<b>prefix list-name</b>	Список префиксов, используемых для фильтрации маршрутов, анонсируемых на соседние узлы.
<b>protocol   connected   static</b>	(Необязательный параметр.) При указании источника маршрута список анонсирования применяется к перераспределяемым маршрутам из этого источника. Перераспределяются только маршруты, прошедшие список анонсирования. Значение параметра protocol может быть rip или ospf.

## ***no distribute-list prefix out***

Используйте эту команду, чтобы сбросить настройки команды `distribute-list prefix out` в значение по умолчанию.

**Формат:** `no distribute-list prefix list-name out [ protocol | connected | static ]`

**Режим ввода команд:** конфигурирование BGP-маршрутизатора  
конфигурирование семейства адресов IPv4 VRF

## ***enable (BGP)***

Эта команда глобально включает BGP, сохраняя при этом конфигурацию. BGP включен по умолчанию, если был указан номер AS с помощью команды `router bgp` и настроен идентификатор маршрутизатора с помощью команды `bgp router-id`.

**Формат:** `enable`

**Режим ввода команд:** конфигурирование BGP-маршрутизатора

## *no enable*

Данная команда глобально выключает административный режим BGP в системе, сохраняя при этом конфигурацию. При выключении протокола BGP его конфигурация сохраняется. Если выполнить команду *no router bgp*, вся конфигурация BGP сбрасывается к значению по умолчанию.

Если протокол BGP выключен административно, BGP отправляет на каждый узел сообщение Notification с кодом ошибки Cease.

**Формат:** no enable

**Режим ввода команд:** конфигурирование BGP-маршрутизатора

## *ip bgp fast-external-failover*

Эта команда обеспечивает возможность «щадащей перезагрузки».

**Значение по умолчанию:** Выключен.

**Формат:** bgp graceful-restart [restart-time *restart-time* | stalepath-time *stalepath-time*]

**Режим ввода команд:** конфигурирование BGP-маршрутизатора

<i>Параметр</i>	<i>Описание</i>
<b>Restart-time</b>	Максимальное время в секундах, перед которым должна быть завершена «щадащая перезагрузка» устройства. Период задается в диапазоне от 1 до 3600 секунд. Значение по умолчанию составляет 120 секунд.
<b>Stalepath-time</b>	Максимальное время, в течение которого вспомогательный маршрутизатор сохраняет устаревшие маршруты от перезапуска узла BGP. Период задается в диапазоне от 1 до 3600 секунд. Значение по умолчанию составляет 300 секунд.

## *no ip bgp fast-external-failover*

Эта команда возвращает настройки «щадащей перезагрузки» к значению по умолчанию.

**Формат:** no bgp graceful-restart [restart-time *restart-time* | stalepath-time *stalepath-time*]

**Режим ввода команд:** конфигурирование BGP-маршрутизатора

## *ip bgp fast-external-failover*

Эта команда настраивает режим Fast External Failover для указанного интерфейса маршрутизации.

С помощью этой команды режим Fast External Failover, настроенный глобально, переопределяется для указанного интерфейса маршрутизации. При указании ключевого слова *permit* данный режим включается на указанном интерфейсе независимо от текущей глобальной конфигурации. При указании *deny* данный режим на указанном интерфейсе выключается независимо от текущей глобальной конфигурации.

**Значение по умолчанию:** Fast External Failover включен глобально. Конфигурация для конкретных интерфейсов отсутствует.

**Формат:** `ip bgp fast-external-failover {permit | deny}`

**Режим ввода команд:** конфигурирование интерфейса

Параметр	Описание
<code>permit</code>	Это ключевое слово включает Fast External Failover на интерфейсе независимо от глобальной конфигурации.
<code>deny</code>	Это ключевое слово выключает Fast External Failover на интерфейсе независимо от глобальной конфигурации.

### *no ip bgp fast-external-failover*

Данная команда выполняет сброс соответствующих настроек на интерфейсе, после чего интерфейс использует глобальные настройки.

**Формат:** `no ip bgp fast-external-failover`

**Режим ввода команд:** конфигурирование интерфейса

### *maximum-paths*

Данная команда указывает максимальное количество ближайших узлов, которое BGP может включить в маршруты Equal Cost Multipath (ECMP), выведенные из путей от соседей за пределами локальной автономной системы.

Пути могут учитываться в ECMP, если они обладают одинаковыми атрибутами (такими как локальный приоритет, AS Path, источник, MED, тип узла и IGP-дистанция). Когда BGP использует несколько путей в маршруте ECMP, он все равно выбирает только один путь в качестве оптимального и анонсирует только его на соседние узлы.

**Значение по умолчанию:** BGP использует один ближайший узел.

**Формат:** `maximum-paths number-of-paths`

**Режим ввода команд:** конфигурирование BGP-маршрутизатора  
конфигурирование семейства адресов IPv4 VRF  
конфигурирование семейства адресов IPv6

Параметр	Описание
<code>number-of-paths</code>	Максимальное количество ближайших узлов в маршруте BGP. Значение — от 1 до 32, если платформа или SDM-шаблон не накладывают дополнительных ограничений на этот диапазон.

### *no maximum-paths*

Команда возвращает максимальное количество ближайших узлов, которое BGP может включить в ECMP-маршруты, в значение по умолчанию.

**Формат:** `no maximum-paths`

**Режим ввода команд:** конфигурирование BGP-маршрутизатора  
 конфигурирование семейства адресов IPv4 VRF  
 конфигурирование семейства адресов IPv6

### ***maximum-paths igbp***

Данная команда указывает максимальное количество ближайших узлов, которое BGP может включить в маршруты Equal Cost Multipath (ECMP), выведенные из путей от соседей в пределах локальной автономной системы.

Пути могут учитываться в ECMP, если они обладают одинаковыми атрибутами (такими как локальный приоритет, AS Path, источник, MED, тип узла и IGP-дистанция). Когда BGP использует несколько путей в маршруте ECMP, он все равно выбирает только один путь в качестве оптимального и анонсирует только его на соседние узлы.

**Значение по умолчанию:** BGP использует один ближайший узел.

**Формат:** `maximum-paths igbp number-of-paths`

**Режим ввода команд:** конфигурирование BGP-маршрутизатора  
 конфигурирование семейства адресов IPv4 VRF  
 конфигурирование семейства адресов IPv6

<b>Параметр</b>	<b>Описание</b>
<b>number-of-paths</b>	Максимальное количество ближайших узлов в маршруте BGP. Значение — от 1 до 32, если платформа или SDM-шаблон не накладывают дополнительных ограничений на этот диапазон.

### ***no maximum-paths igbp***

Данная команда сбрасывает к значению по умолчанию максимальное количество ближайших узлов, которое BGP может включить в маршруты ECMP, выведенные из путей от соседей в пределах локальной автономной системы.

**Формат:** `no maximum-paths igbp`

**Режим ввода команд:** конфигурирование BGP-маршрутизатора  
 конфигурирование семейства адресов IPv4 VRF  
 конфигурирование семейства адресов IPv6

### ***neighbor activate (конфигурирование семейства адресов IPv4 VRF)***

Используйте команду `neighbor activate`, чтобы включить обмен префиксов IPv4 VRF с соседним узлом.

С помощью этой команды в режиме одноадресного вещания семейства адресов `vrfv4` локальному BGP-маршрутизатору разрешается отправка префиксов IPv4 VRF в адрес BGP-узла по магистральной сети. В каждый адрес, передаваемый в NLRI, добавляется префикс с 8-байтовым параметром Route Distinguisher (RD).

Если IPv4 VRF включается для соседнего узла, соответствующая смежность сбрасывается и перезапускается, чтобы передать изменения на соседний узел. Рекомендуется полностью настраивать все необходимые политики IPv4-маршрутизации для узла, прежде чем активировать его.

**Значение по умолчанию:** префиксы VPNv4 на соседний узел не посылаются.

**Формат:** `neighbor prefix activate`

**Режим ввода команд:** конфигурирование семейства адресов IPv4 VRF

Параметр	Описание
prefix	IPv4-адрес.

### *no neighbor activate (конфигурирование семейства адресов IPv4 VRF)*

Используйте по-форму команды, чтобы выключить обмен префиксами IPv4 VRF с соседом и отключить карты экспорта для указанного экземпляра VRF.

**Формат:** `no neighbor prefix activate`

**Режим ввода команд:** конфигурирование семейства адресов IPv4 VRF

### *neighbor activate (конфигурирование семейства адресов IPv6)*

Чтобы включить обмен IPv6-маршрутами с соседним узлом, используйте команду `neighbor activate`. В качестве адреса соседнего узла требуется указать тот же IP-адрес, что был использован командой `neighbor remote-as` при создании узла.

Если IPv6 включается или выключается для соседнего узла, соответствующая смежность сбрасывается и перезапускается, чтобы передать изменения на соседний узел. Рекомендуется полностью настраивать все необходимые политики IPv6-маршрутизации для узла, прежде чем активировать его.

**Значение по умолчанию:** обмен IPv6-маршрутами выключен.

**Формат:** `neighbor {ipv4-address | ipv6-address [interface interface-name] | autodetect interface interface-name} activate`

**Режим ввода команд:** конфигурирование семейства адресов IPv6

Параметр	Описание
ipv4-address	IPv4-адрес соседнего узла.
ipv6-address	IPv6-адрес соседнего узла.
interface	Если IPv6-адрес соседнего узла является адресом link-local, локальный интерфейс также требуется указать.
autodetect interface	Интерфейс маршрутизации, на котором IPv6-адрес link-local соседнего узла определяется автоматически.

### *no neighbor activate*

Используйте по-форму команды, чтобы выключить обмен маршрутами IPv6.

**Формат:** `no neighbor {ipv4-address | ipv6-address [interface interface-name] | autodetect interface interface-name} activate`

**Режим ввода команд:** конфигурирование семейства адресов IPv6

Параметр	Описание
----------	----------

<b>ipv4-address</b>	IPv4-адрес соседнего узла.
<b>ipv6-address</b>	IPv6-адрес соседнего узла.
<b>interface</b>	Если IPv6-адрес соседнего узла является адресом link-local, локальный интерфейс также требуется указать.
<b>autodetect interface</b>	Интерфейс маршрутизации, на котором IPv6-адрес link-local соседнего узла определяется автоматически.

### ***neighbor advertisement-interval***

Используйте эту команду, чтобы настроить минимальное время, которое должно пройти между анонсами одного и того же маршрута в адрес указанного соседнего узла. RFC 4271 рекомендует устанавливать для внутренних узлов более короткий интервал, чем для внешних узлов, чтобы включить внутри автономной системы ускоренную конвергенцию. Это значение не ограничивает скорость выбора маршрута и касается только скорости его анонсирования. Если за время ожидания анонсирования BGP изменяет маршрут к месту назначения несколько раз, соседнему узлу анонсируется только последний вариант.

BGP принудительно обеспечивает соблюдение интервала анонсирования путем ограничения того, как часто фаза 3 процесса принятия решения может работать для каждой группы обновлений. Интервал применяется к анонсам удаления в той же степени, как и к активным анонсам.

**Значение по умолчанию:** 30 секунд для внешних узлов;  
5 секунд для внутренних узлов.

**Формат:** `neighbor ip-address advertisement-interval seconds`

**Режим ввода команд:** конфигурирование BGP-маршрутизатора  
конфигурирование семейства адресов IPv4 VRF  
конфигурирование семейства адресов IPv6

<b>Параметр</b>	<b>Описание</b>
<b>ip-address</b>	IPv4-адрес соседнего узла.
<b>seconds</b>	Минимальное время между анонсами маршрута в секундах. Диапазон — от 0 до 600 секунд.

### ***no neighbor advertisement-interval***

Используйте эту команду, чтобы вернуть минимальное время, которое должно пройти между анонсами одного и того же маршрута в адрес указанного соседнего узла, в значение по умолчанию.

**Формат:** `no neighbor ip-address advertisement-interval`

**Режим ввода команд:** конфигурирование BGP-маршрутизатора  
конфигурирование семейства адресов IPv4 VRF  
конфигурирование семейства адресов IPv6

### ***neighbor connect-retry-interval***

Эта команда настраивает интервал для выполнения попытки повторного подключения к указанному соседнему узлу. Если соседний узел не реагирует на начальную попытку TCP-подключения, коммутатор выполняет три повторных попытки. Первая повторная попытка следует по истечении интервала, настроенного командой `neighbor connect-retry-interval`. Каждая



последующая повторная попытка выполняется после удвоенного предыдущего интервала. Таким образом, по умолчанию TCP-подключение повторяется через 2, 4 и 8 секунд. Если ни одна из попыток не будет успешной, смежность сбрасывается в состояние IDLE и запускается таймер продолжительности этого состояния. Протокол BGP пропускает повторные попытки и сразу переходит в состояние IDLE, если TCP при попытке подключения возвращает ошибку «destination unreachable».

Выполнение этой команды в режиме конфигурирования шаблона узла сети (Peer Template) добавляет эту настройку в шаблон.

**Значение по умолчанию:** 2 секунды

**Формат:** neighbor {ip-address | ipv6-address [interface interface-name] | autodetect interface interface-name} connect-retry-interval retry-time

**Режим ввода команд:** конфигурирование BGP-маршрутизатора

<i>Параметр</i>	<i>Описание</i>
<b>ip-address</b>	IP-адрес соседнего узла.
<b>ipv6-address [interface interface-name]</b>	IPv6-адрес соседнего узла. Если IPv6-адрес соседнего узла является адресом link-local, локальный интерфейс также требуется указать.
<b>autodetect interface interface-name</b>	Интерфейс маршрутизации, на котором IPv6-адрес link-local соседнего узла определяется автоматически.
<b>retry-time</b>	Интервал ожидания в секундах для выполнения попытки повторного TCP-подключения к указанному соседнему узлу после сбоя прошлой попытки.

### *no neighbor connect-retry-interval*

Эта команда сбрасывает к значению по умолчанию интервал для выполнения попытки повторного подключения к указанному соседнему узлу.

**Формат:** no neighbor ip-address connect-retry-interval

**Режим ввода команд:** конфигурирование BGP-маршрутизатора  
конфигурирование семейства адресов IPv4 VRF

### *neighbor default-originate*

Данная команда позволяет настроить протокол BGP так, чтобы он создавал маршрут по умолчанию к соседнему узлу. Используйте необязательный параметр if-default-present, чтобы создавать маршрут по умолчанию к соседнему узлу, только если такой маршрут существует в таблице маршрутизации.

По умолчанию маршрут к конкретному соседнему узлу не имеет MED, а в качестве источника указывается IGP. Атрибуты можно настроить с помощью дополнительной карты маршрута. Соседний узел, настроенный с использованием команды default-originate, помещается в специальную группу обновлений отдельно от соседних узлов, которые не были настроены с использованием этой команды. Как следствие, команда global default-originate не оказывает воздействия на соседние узлы, настроенные с помощью этой команды. Настройки default-originate для определенного соседнего узла, если таковые применены, перезаписывают конфигурацию, созданную командой global default-originate. В результате выполнения этой команды соседнему

узлу в анонсе маршрута по умолчанию отправляется значение AS PATH, включающее только AS происхождения маршрута. Использование необязательного параметра `if-default-present` позволяет создавать маршрут по умолчанию к соседнему узлу, только если такой маршрут существует в таблице маршрутизации. Такая форма команды не устанавливает маршрут по умолчанию в Adj-RIB-Out для настроенной группы узлов (маршрут не будет отражаться в выводе команды `show ip bgp neighbor advertised-routes`).

Создание маршрута по умолчанию не зависит от фильтрации по префиксу, настроенной с помощью команды `distribute-list prefix out`.

Карту маршрута можно настроить так, чтобы установленные атрибуты маршрута по умолчанию передавались соседнему узлу. Если карта маршрута включает в себя условие `match ip-address`, это условие игнорируется. Если карта маршрута включает в себя условия `match community` или `match as-path`, маршрут по умолчанию не анонсируется. Если для указанного имени карты маршрута не существует, маршрут по умолчанию не анонсируется.

- Значение по умолчанию:** маршруты по умолчанию не создаются.
- Формат:** `neighbor ip-address default-originate [if-default-present][route-map map-name]`
- Режим ввода команд:** конфигурирование BGP-маршрутизатора  
 конфигурирование семейства адресов IPv4 VRF  
 конфигурирование семейства адресов IPv6

Параметр	Описание
<code>ip-address</code>	IPv4-адрес соседнего узла.
<code>map-name</code>	(Необязательный параметр.) Карту маршрута можно настроить так, чтобы установленные атрибуты маршрута по умолчанию анонсировали соседнему узлу.

### *no neighbor default-originate*

Используйте эту команду, чтобы выключить в BGP создание маршрута по умолчанию для указанного соседнего узла.

- Формат:** `no neighbor ip-address default-originate [if-default-present][route-map map-name]`
- Режим ввода команд:** конфигурирование BGP-маршрутизатора  
 конфигурирование семейства адресов IPv4 VRF  
 конфигурирование семейства адресов IPv6

### *neighbor description*

Данная команда позволяет создать текстовое описание соседнего узла. Описание является информационным и не имеет никакого функционального влияния.

Выполнение этой команды в режиме конфигурирования шаблона узла сети (Peer Template) добавляет эту настройку в шаблон.

- Значение по умолчанию:** описание не задано

**Формат:** neighbor ip-address autodetect interface interface-name description text

**Режим ввода команд:** конфигурирование BGP-маршрутизатора  
конфигурирование семейства адресов IPv4 VRF  
конфигурирование шаблона узла сети

Параметр	Описание
ip-address	IP-адрес соседнего узла.
autodetect interface <i>interface-name</i>	Интерфейс маршрутизации, на котором IPv6-адрес link-local соседнего узла определяется автоматически.
text	Текстовое описание соседнего узла. Допустимая длина — до 80 символов.

### *no neighbor description*

Используйте эту команду, чтобы удалить текстовое описание соседнего узла.

**Формат:** no neighbor ip-address autodetect interface *interface-name* description

**Режим ввода команд:** конфигурирование BGP-маршрутизатора  
конфигурирование семейства адресов IPv4 VRF  
конфигурирование шаблона узла сети

### *neighbor ebgp-multihop*

Используйте эту команду, чтобы настроить протокол BGP на установление соседства с внешними узлами, не имеющими прямого подключения.

Эта команда действует только для внешних BGP-соседей. Для внутренних BGP-соседей значение TTL остается равно 64 и не может быть изменено. Соседний узел может унаследовать эту конфигурацию из шаблона узла сети. Чтобы конфигурация update-source работала для внешних соседних узлов BGP, параметр ebgp-multihop hop-count должен быть настроен на увеличение значения TTL относительно TTL по умолчанию (1).

Выполнение этой команды в режиме конфигурирования шаблона узла сети (Peer Template) добавляет эту настройку в шаблон.

**Значение по умолчанию:** 1

**Формат:** neighbor { ip-address | ipv6-address [ interface *interface-name* ] | autodetect interface *interface-name* } ebgp-multihop hop-count

**Режим ввода команд:** конфигурирование BGP-маршрутизатора  
конфигурирование семейства адресов IPv4 VRF  
конфигурирование шаблона узла сети

Параметр	Описание
ip-address	IPv4-адрес соседнего узла.
ipv6-address [interface <i>interface-name</i> ]	IPv6-адрес соседнего узла. Если IPv6-адрес соседнего узла является адресом link-local, локальный

	интерфейс также требуется указать.
<b>autodetect interface <i>interface-name</i></b>	Интерфейс маршрутизации, на котором IPv6-адрес link-local соседнего узла определяется автоматически.
<b>ebgp-multihop hop-count</b>	Максимальное количество хопов до соседнего узла. Допустимый диапазон — 1–255.

### *no neighbor ebgp-multihop*

Используйте эту команду для удаления настроенного соседства.

**Формат:** `no neighbor { ip-address | ipv6-address [ interface interface-name ] | autodetect interface interface-name } ebgp-multihop`

**Режим ввода команд:** конфигурирование BGP-маршрутизатора  
 конфигурирование семейства адресов IPv4 VRF  
 конфигурирование шаблона узла сети

### *neighbor filter-list*

Данная команда фильтрует входящие и исходящие анонсы указанного соседнего узла на основании их параметра AS Path. Для каждого направления анонсов указанного соседнего узла можно настроить только один список AS Path. Если команда запускается повторно для настроенного узла, новый номер списка AS Path заменяет предыдущий.

Если список фильтров для соседнего узла настроен с указанием несуществующего списка контроля доступа AS Path, фильтруются все маршруты.

**Значение по умолчанию:** списки фильтрации соседних узлов не настроены.

**Формат:** `neighbor ip-address filter-list as-path-list-number {in | out}`

**Режим ввода команд:** конфигурирование BGP-маршрутизатора  
 конфигурирование семейства адресов IPv4 VRF

<i>Параметр</i>	<i>Описание</i>
<b>ip-address</b>	IPv4-адрес соседнего узла.
<b>as-path-list-number</b>	Идентификатор списка AS Path.
<b>in</b>	Список AS Path применяется для фильтрации анонсов, принятых от соседнего узла.
<b>out</b>	Список AS Path применяется для фильтрации анонсов, отправляемых в адрес соседнего узла.

### *no neighbor filter-list*

Данная команда удаляет настройки фильтров для соседних узлов.

**Формат:** `no neighbor ip-address filter-list as-path-list-number {in | out}`

**Режим ввода команд:** конфигурирование BGP-маршрутизатора  
 конфигурирование семейства адресов IPv4 VRF

### ***neighbor filter-list (конфигурирование семейства адресов IPv6)***

Эта команда настраивает BGP-фильтр, чтобы применить ACL AS Path к сообщениям UPDATE, полученным от указанного соседнего узла или направленным в его адрес. Фильтрация для IPv6 не зависит от фильтрации, настроенной для IPv4. Если сообщение UPDATE включает в себя как IPv4, так и IPv6 NLRI, оно может быть отфильтровано для IPv4, но принято для IPv6 или наоборот.

Если список фильтров для соседнего узла настроен с указанием несуществующего списка контроля доступа AS Path, фильтруются все маршруты.

**Значение по умолчанию:** списки фильтрации соседних узлов не настроены.

**Формат:** `neighbor ip-address filter-list as-path-list-number {in | out}`

**Режим ввода команд:** конфигурирование семейства адресов IPv6

<b>Параметр</b>	<b>Описание</b>
<b>ip-address</b>	IPv6-адрес соседнего узла.
<b>as-path-list-number</b>	Идентификатор списка AS Path.
<b>in</b>	Список AS Path применяется для фильтрации анонсов, принятых от соседнего узла.
<b>out</b>	Список AS Path применяется для фильтрации анонсов, отправляемых в адрес соседнего узла.

### ***no neighbor filter-list (конфигурирование семейства адресов IPv6)***

Данная команда удаляет настройки фильтров IPv6 для соседних узлов.

**Формат:** `no neighbor ip-address filter-list as-path-list-number {in | out}`

**Режим ввода команд:** конфигурирование семейства адресов IPv6

### ***neighbor inherit peer***

Данная команда используется, чтобы настроить на узле BGP наследование конфигурационных параметров из шаблона узла сети. Параметры сессий и политики узла могут быть настроены один раз в шаблоне для наследования несколькими соседними узлами, что устраняет необходимость установки повторяющихся параметров для каждого соседнего узла.

Параметры наследуются из указанного шаблона узла сети, а также из других шаблонов, настройки которых наследует указанный шаблон. Прямое наследование настроек соседнего узла может происходить только из одного шаблона узла сети.

**Значение по умолчанию:** параметры конфигурации не наследуются.

**Формат:** `neighbor {ip-address| ipv6-address [interface interface-name] autodetect interface interface-name} inherit peer template-name`

**Режим ввода команд:** конфигурирование BGP-маршрутизатора

конфигурирование семейства адресов IPv4 VRF

<i>Параметр</i>	<i>Описание</i>
<b>ip-address</b>	IP-адрес соседнего узла, параметры конфигурации которого наследуются из шаблона.
<b>ipv6-address [interface <i>interface-name</i>]</b>	IPv6-адрес соседнего узла. Если IPv6-адрес соседнего узла является адресом link-local, локальный интерфейс также требуется указать.
<b>autodetect interface <i>interface-name</i></b>	Интерфейс маршрутизации, на котором IPv6-адрес link-local соседнего узла определяется автоматически.
<b>template-name</b>	Имя шаблона узла сети, параметры конфигурации которого должен унаследовать указанный соседний узел.

*no neighbor inherit peer*

Используйте эту команду, чтобы удалить настройки наследования.

**Формат:** `no neighbor ip-address inherit peer template-name`

**Режим ввода команд:** конфигурирование BGP-маршрутизатора  
конфигурирование семейства адресов IPv4 VRF

***neighbor local-as***

Эта команда позволяет настроить BGP так, чтобы вместо собственной AS маршрутизатора при анонсировании маршрутов в адрес соседних узлов передавалось значение локальной AS. Эта команда разрешена только для внешних BGP-соседей. Соседний узел может унаследовать эту конфигурацию из шаблона узла сети.

**Значение по умолчанию:** локальная AS на узле не настроена.

**Формат:** `neighbor { ip-address | ipv6-address [ interface interface-name ] | autodetect interface interface-name } local-as as-number no-prepend replace-as`

**Режим ввода команд:** конфигурирование BGP-маршрутизатора  
конфигурирование семейства адресов IPv4 VRF

<i>Параметр</i>	<i>Описание</i>
<b>ip-address</b>	IPv4-адрес соседнего узла.
<b>ipv6-address [interface <i>interface-name</i>]</b>	IPv6-адрес соседнего узла. Если IPv6-адрес соседнего узла является адресом link-local, локальный интерфейс также требуется указать.
<b>autodetect interface <i>interface-name</i></b>	Интерфейс маршрутизации, на котором IPv6-адрес link-local соседнего узла определяется автоматически.
<b>local-as <i>as-number</i></b>	Номер AS для анонсирования в качестве локальной AS в AS PATH, отправляемых соседнему узлу.
<b>no-prepend</b>	Не использовать для локальной AS в AS PATH префикс, полученный в сообщениях UPDATE от соседнего узла.

<b>replace-as</b>	Заменяет собственную AS маршрутизатора номером локальной AS в AS PATH, отправляемых соседнему узлу.
-------------------	---

### ***neighbor maximum-prefix (конфигурирование BGP-маршрутизатора)***

Эта команда настраивает максимальное количество префиксов, которое BGP может принимать от указанного соседнего узла. Указанное ограничение сравнивается с количеством префиксов, полученных от соседнего узла, включая префиксы, отброшенные на основании политик для входящего трафика. Если сессия между узлами закрыта, смежность не включается до тех пор, пока для соседнего узла не будет выполнена команда `clear ip bgp`. Соседний узел можно также восстановить с помощью последовательного выполнения команд `neighbor shutdown` и `no neighbor shutdown`.

**Значение по умолчанию:** ограничение префиксов совпадает с максимальным количеством маршрутов, которое можно установить в таблице маршрутизации. Порог предупреждения по умолчанию составляет 75%. Если не настроена опция `warning-only`, соседний узел, превышающий ограничение, выключается.

**Формат:** `neighbor ip-address maximum-prefix { maximum | unlimited } [threshold] [warning-only]`

**Режим ввода команд:** конфигурирование BGP-маршрутизатора  
 конфигурирование семейства адресов IPv4 VRF  
 конфигурирование семейства адресов IPv6

<b>Параметр</b>	<b>Описание</b>
<b>ip-address</b>	IPv4-адрес соседнего узла.
<b>maximum</b>	Максимальное количество префиксов, которые BGP может принять от указанного соседнего узла. Диапазон значений — от 0 до максимального количества маршрутов, поддерживаемых данным маршрутизатором.
<b>unlimited</b>	Ограничений по количеству префиксов нет.
<b>threshold</b>	(Необязательный параметр.) Когда количество префиксов, получаемых от соседнего узла, превышает этот процент от максимального значения, BGP отправляет системное сообщение. Диапазон составляет от 1 до 100 процентов. Значение по умолчанию составляет 75%.
<b>warning-only</b>	(Необязательный параметр.) При превышении максимального количества префиксов BGP принимает избыточные префиксы и записывает системное сообщение, но не сбрасывает смежность.

### ***no neighbor maximum-prefix***

Команда возвращает максимальное количество префиксов, которые BGP принимает от указанного соседнего узла, в значение по умолчанию.

**Формат:** `no neighbor ip-address maximum-prefix`

**Режим ввода команд:** конфигурирование BGP-маршрутизатора  
 конфигурирование семейства адресов IPv4 VRF  
 конфигурирование семейства адресов IPv6

### ***neighbor next-hop-self***

Эта команда настраивает BGP так, чтобы при анонсировании маршрутов внутренним узлам атрибут *next-hop* представлял собой локальный IP-адрес. В общем случае BGP сохраняет атрибут *next-hop*, полученный от внешнего узла.

Когда атрибут *next-hop* в маршрутах, полученных от внешних узлов, сохраняется, внутренним узлам требуется маршрут к IP-адресу внешнего узла. Обычно это решается путем настройки IGP на пограничном маршрутизаторе для анонсирования внешней (или DMZ) подсети. Опция *next-hop-self* устраняет необходимость анонсировать внешнюю подсеть в IGP.

**Значение по умолчанию:** не включено

**Формат:** `neighbor ip-address next-hop-self`

**Режим ввода команд:** конфигурирование BGP-маршрутизатора  
 конфигурирование семейства адресов IPv4 VRF  
 конфигурирование семейства адресов IPv6

<i>Параметр</i>	<i>Описание</i>
<b>ip-address</b>	IP-адрес соседнего узла.

### ***no neighbor next-hop-self***

Эта команда выключает узлы, настроенные в качестве ближайших для локально созданных путей. После выполнения этой команды требуется перезагрузить BGP-узел, чтобы изменения вступили в силу.

**Формат:** `no neighbor ip-address next-hop-self`

**Режим ввода команд:** конфигурирование BGP-маршрутизатора  
 конфигурирование семейства адресов IPv4 VRF  
 конфигурирование семейства адресов IPv6

### ***neighbor password***

Используйте эту команду для включения аутентификации MD5 для TCP-сегментов, получаемых от соседних узлов и отправляемых в их адрес, а также настройки ключа аутентификации.

Аутентификация MD5 должна быть включена или выключена на обоих узлах. Для обоих узлов также требуется настроить одинаковый пароль. Когда TCP-соединение установлено, если изменяется пароль на одном конце, пароль на другом конце должен быть изменен соответственно до истечения времени удержания соединения. При значении времени удержания по умолчанию оба пароля должны быть изменены в течение 120 секунд, чтобы соединение не было отброшено.



Выполнение этой команды в режиме конфигурирования шаблона узла сети (Peer Template) добавляет эту настройку в шаблон.

**Значение по умолчанию:** аутентификация MD5 выключена.

**Формат:** `neighbor {ip-address | ipv6-address [interface interface-name] | autodetect interface interface-name} password string`

**Режим ввода команд:** конфигурирование BGP-маршрутизатора  
 конфигурирование семейства адресов IPv4 VRF  
 конфигурирование семейства адресов IPv6  
 конфигурирование шаблона узла сети

Параметр	Описание
<code>ip-address</code>	IP-адрес соседнего узла.
<code>ipv6-address [interface interface-name]</code>	IPv6-адрес соседнего узла. Если IPv6-адрес соседнего узла является локальным адресом, то локальный интерфейс также должен быть указан.
<code>autodetect interface interface-name</code>	Интерфейс маршрутизации, на котором IPv6-адрес link-local соседнего узла определяется автоматически.
<code>string</code>	Пароль, от 1 до 25 символов с учетом регистра.

### *no neighbor password*

Эта команда выключает проверку аутентификации MD5 для TCP-сегментов, получаемых от соседнего узла и отправляемых в его адрес.

**Формат:** `neighbor {ip-address | ipv6-address [interface interface-name] | autodetect interface interface-name} password`

**Режим ввода команд:** конфигурирование BGP-маршрутизатора  
 конфигурирование семейства адресов IPv4 VRF  
 конфигурирование семейства адресов IPv6  
 конфигурирование шаблона узла сети

### *neighbor prefix-list*

Данная команда включает фильтрацию анонсов в адрес указанного соседнего узла на основании префикса места назначения каждого маршрута. Для каждого направления анонсов и каждого соседнего узла можно настроить только один список префиксов. При использовании несуществующего списка префиксов все префиксы считаются разрешенными.

**Значение по умолчанию:** списки префиксов не настроены.

**Формат:** `neighbor ip-address prefix-list prefix-list-name { in | out }`

**Режим ввода команд:** конфигурирование BGP-маршрутизатора  
 конфигурирование семейства адресов IPv4 VRF  
 конфигурирование семейства адресов IPv6  
 конфигурирование шаблона узла сети

<i>Параметр</i>	<i>Описание</i>
<b>ip-address</b>	IP-адрес соседнего узла.
<b>prefix-list-name</b>	Имя списка префиксов.
<b>in</b>	Список префиксов применяется для фильтрации анонсов, принятых от соседнего узла.
<b>out</b>	Список префиксов применяется для фильтрации анонсов, отправленных на соседний узел.

### *no neighbor prefix-list*

Эта команда выключает фильтрацию анонсов в адрес указанного соседнего узла на основании префикса места назначения каждого маршрута.

**Формат:** `no neighbor ip-address prefix-list prefix-list-name { in | out }`

**Режим ввода команд:** конфигурирование BGP-маршрутизатора  
 конфигурирование семейства адресов IPv4 VRF  
 конфигурирование семейства адресов IPv6  
 конфигурирование шаблона узла сети

### *neighbor remote-as*

Эта команда настраивает соседний узел и идентифицирует его автономную систему. Номер AS соседнего устройства требуется указать при создании соседнего узла. Настроить можно до 256 соседних узлов. При наследовании шаблона с параметром `remote-as` происходит автоматическое создание соседнего узла, если тот еще не существует.

**Значение по умолчанию:** соседние узлы не настроены.

**Формат:** `neighbor {ip-address | ipv6-address [interface interface-name] | autodetect interface interface-name remote-as as-number`

**Режим ввода команд:** конфигурирование BGP-маршрутизатора  
 конфигурирование семейства адресов IPv4 VRF  
 конфигурирование шаблона узла сети

<i>Параметр</i>	<i>Описание</i>
<b>ip-address</b>	IP-адрес соседнего узла.
<b>ipv6-address [interface interface-name]</b>	IPv6-адрес соседнего узла. Если IPv6-адрес соседнего узла является локальным адресом, то локальный интерфейс также должен быть указан.
<b>autodetect interface interface-name</b>	Интерфейс маршрутизации, на котором IPv6-адрес <code>link-local</code> соседнего узла определяется автоматически.
<b>as-number</b>	Номер AS соседнего узла. Диапазон — от 1 до 429496729. Если номер AS такой же, как и у локального маршрутизатора, узел является внутренним.  Если нет, узел является внешним. Соседний узел

	может унаследовать эту конфигурацию из шаблона узла сети.
--	---

### *no neighbor remote-as*

Это команда сбрасывает настройки всех соседних узлов.

**Формат:** `no neighbor {ip-address | ipv6-address [interface interface-name] | autodetect interface interface-name remote-as`

**Режим ввода команд:** конфигурирование BGP-маршрутизатора  
 конфигурирование семейства адресов IPv4 VRF  
 конфигурирование шаблона узла сети

### *neighbor remove-private-as*

Используйте эту команду в режиме конфигурирования маршрутизатора, чтобы удалить частные номера AS при анонсировании IPv4-маршрутов на внешние узлы. Чтобы остановить удаление частных номеров AS, используйте по-форму этой команды.

Команда применима только к внешним узлам. Частные номера AS будут удалены или заменены вне зависимости от того, есть ли в оригинальном AS Path открытые номера AS. При анонсировании AS Path на внешний узел этот атрибут всегда включает хотя бы один экземпляр локального номера AS. Таким образом, удаление частных номеров AS никогда не приводит к анонсированию пустого атрибута AS\_PATH. Номера AS от 64512 до 65535 включительно считаются частными. Хотя 65535 является зарезервированным ASN и технически не является частью частного диапазона, при удалении или замене частных ASN этот номер рассматривается как частный.

**Значение по умолчанию:** частные номера AS не удаляются.

**Формат:** `neighbor ip-address remove-private-as [all replace-as]`

**Режим ввода команд:** конфигурирование BGP-маршрутизатора  
 конфигурирование семейства адресов IPv4 VRF  
 конфигурирование семейства адресов IPv6

<i>Параметр</i>	<i>Описание</i>
<code>ip-address</code>	IP-адрес соседнего узла.
<code>all replace-as</code>	Чтобы сохранить первоначальную длину AS Path, выполняется замена каждого частного номера AS на локальный номер AS. Это необязательный параметр.

### *no neighbor remove-private-as*

**Формат:** `no neighbor ip-address remove-private-as`

**Режим ввода команд:** конфигурирование BGP-маршрутизатора

### *neighbor rfc5549-support*

Используйте эту команду, чтобы выборочно включить анонсирование маршрутов IPv4 через ближайший IPv6-узел в адрес внешнего IPv6-узла. Команда может быть применена только к внешним узлам BGP на расстоянии одного хопа.

- Значение по умолчанию:** поддержка RFC 5549 включена по умолчанию для всех соседних узлов, если в сборке доступен пакет IPv6.
- Формат:** `neighbor { ipv6-address | autodetect interface interface-name } rfc5549-support`
- Режим ввода команд:** конфигурирование BGP-маршрутизатора

Параметр	Описание
<code>ipv6-address</code>	IPv6-адрес соседнего узла
<code>autodetect interface interface-name</code>	Интерфейс маршрутизации, на котором IPv6-адрес link-local соседнего узла определяется автоматически.

### *no neighbor rfc5549-support*

Эта команда выключает анонсирование маршрутов IPv4 через ближайшие IPv6-узлы.

- Формат:** `no neighbor { ipv6-address | autodetect interface interface-name } rfc5549-support`
- Режим ввода команд:** конфигурирование BGP-маршрутизатора

### *neighbor route-map*

Используйте данную команду в режиме конфигурирования маршрутизатора, чтобы применить карту маршрута к входящим или исходящим маршрутам указанного соседнего узла. Карту маршрута можно использовать для изменения локального приоритета, MED или AS Path маршрута. Маршруты могут быть выбраны для фильтрации или изменения с использованием списка контроля доступа AS Path или списка префиксов.

- Значение по умолчанию:** карты маршрутов не применяются.
- Формат:** `neighbor ip-address route-map map-name {in|out}`
- Режим ввода команд:** конфигурирование BGP-маршрутизатора  
 конфигурирование семейства адресов IPv4 VRF  
 конфигурирование семейства адресов IPv6

Параметр	Описание
<code>ipv6-address</code>	IP-адрес соседнего узла
<code>map-name</code>	Имя используемой карты маршрута.
<code>in out</code>	К входящим или исходящим маршрутам применяется указанная карта маршрутов.

### *no neighbor route-map*

Данная команда используется, чтобы удалить карту маршрутов.

- Формат:** `no neighbor ip-address route-map map-name {in|out}`
- Режим ввода команд:** конфигурирование BGP-маршрутизатора

## ***neighbor route-reflector-client (конфигурирование BGP-маршрутизатора)***

Используйте эту команду в режиме конфигурирования BGP-маршрутизатора для настройки внутреннего узла в качестве IP-клиента Route Reflector.

Как правило, маршрутизатор не выполняет повторное анонсирование BGP-маршрутов, полученных от внутреннего узла, на другие внутренние узлы. Если настроить узел в качестве клиента Route Reflector, то этот маршрутизатор будет повторно анонсировать такие маршруты. Маршрутизатор становится Route Reflector, если на нем установлен один или несколько клиентов Route Reflector. Настройка первого клиента Route Reflector автоматически определяет маршрутизатор как Route Reflector.

Если необходимо настроить в кластере несколько экземпляров Route Reflector, нужно настраивать каждый Route Reflector с одинаковым идентификатором кластера. Используйте команду `bgp cluster-id` для настройки идентификатора кластера.

Внешний узел не может быть настроен в качестве клиента Route Reflector.

При отражении маршрута BGP игнорирует установленные заявления в исходящей карте маршрута, чтобы принимающее устройство не выполняло вычислений маршрутов, которые не согласуются с другими маршрутизаторами в AS.

<b>Значение по умолчанию:</b>	узлы не настроены как клиенты Route Reflector.
<b>Формат:</b>	<code>neighbor {ip-address} route-reflector-client</code>
<b>Режим ввода команд:</b>	конфигурирование BGP-маршрутизатора конфигурирование семейства адресов IPv4 VRF конфигурирование семейства адресов IPv6

<i>Параметр</i>	<i>Описание</i>
<code>ip-address</code>	IP-адрес соседнего узла.

### *no neighbor route-reflector-client*

<b>Формат:</b>	<code>no neighbor {ip-address} route-reflector-client</code>
<b>Режим ввода команд:</b>	конфигурирование BGP-маршрутизатора

### ***neighbor send-community***

Данная команда настраивает локальный маршрутизатор для отправки атрибутов BGP-сообщества в сообщениях UPDATE на указанный соседний узел.

<b>Значение по умолчанию:</b>	атрибуты сообщества соседнему узлу не отправляются.
<b>Формат:</b>	<code>neighbor ip-address send-community</code>
<b>Режим ввода команд:</b>	конфигурирование BGP-маршрутизатора конфигурирование семейства адресов IPv4 VRF конфигурирование семейства адресов IPv6

<i>Параметр</i>	<i>Описание</i>
<code>ip-address</code>	IP-адрес соседнего узла.

### *no neighbor send-community*

Используйте команду *no neighbor send-community*, чтобы вернуться к настройкам по умолчанию.

- Формат:** `no neighbor ip-address send-community`
- Режим ввода команд:** конфигурирование BGP-маршрутизатора  
 конфигурирование семейства адресов IPv4 VRF  
 конфигурирование семейства адресов IPv6

### ***neighbor send-community extended***

Данная команда, выполненная в режиме конфигурирования семейства адресов VPNv4, настраивает локальный маршрутизатор для отправки атрибутов BGP-сообщества в сообщениях UPDATE на указанный соседний узел.

С помощью этой команды в режиме одноадресного вещания семейства адресов vpnv4 локальному BGP-маршрутизатору разрешается отправка расширенных атрибутов BGP-сообщества в адрес BGP-узла по магистральной сети. В качестве адреса соседнего узла требуется указать тот же IP-адрес, что был использован командой *neighbor remote-as* при создании узла.

- Значение по умолчанию:** расширенные атрибуты сообщества не отправляются.
- Формат:** `neighbor ip-address send-community [extended | both]`
- Режим ввода команд:** конфигурирование семейства адресов VPNv4

<i>Параметр</i>	<i>Описание</i>
<code>ip-address</code>	IPv4-адрес соседнего узла.
<code>[extended   both]</code>	Действует одно из значений. <ul style="list-style-type: none"> <li>Значение <code>extended</code> позволяет маршрутизатору отправлять только расширенные атрибуты сообщества.</li> <li>Значение <code>both</code> позволяет маршрутизатору отправлять и стандартные, и расширенные атрибуты сообщества.</li> </ul>

### *no neighbor send-community extended*

Используйте команду *no neighbor send-community extended*, чтобы выключить обмен VPNv4-префиксами с соседним узлом.

- Формат:** `no neighbor ip-address send-community`
- Режим ввода команд:** конфигурирование семейства адресов VPNv4

### ***neighbor shutdown***

Используйте эту команду, чтобы выключить смежность с указанным соседним узлом. Если на момент выполнения команды смежность активна, сессия отбрасывается, и вся информация по маршруту, изученная от соседнего узла, удаляется.

Если соседний узел выключен, BGP посылает сообщение NOTIFICATION с кодом ошибки Cease. Когда смежность выключается административно, она остается в неактивном состоянии до тех пор, пока вновь не будет включена в административном порядке (с помощью команды `no neighbor shutdown`).

Выполнение этой команды в режиме конфигурирования шаблона узла сети (Peer Template) добавляет эту настройку в шаблон.

**Значение по умолчанию:** соседние узлы не выключаются.

**Формат:** `neighbor {ipv4-address | ipv6-address [interface interface-name]} autodetect interface interface-name } shutdown`

**Режим ввода команд:** конфигурирование BGP-маршрутизатора  
 конфигурирование семейства адресов IPv4 VRF  
 конфигурирование шаблона узла сети

Параметр	Описание
<code>ipv4-address   ipv6-address</code>	IPv4 или IPv6-адрес соседнего узла в соединении между двумя узлами.
<code>autodetect interface interface-name</code>	Интерфейс маршрутизации, на котором IPv6-адрес link-local соседнего узла определяется автоматически.

### *no neighbor shutdown*

Эта команда включает BGP-узел в административном порядке.

**Формат:** `no neighbor {ipv4-address | ipv6-address [interface interface-name]} autodetect interface interface-name } shutdown`

**Режим ввода команд:** конфигурирование BGP-маршрутизатора  
 конфигурирование семейства адресов IPv4 VRF  
 конфигурирование шаблона узла сети

### *neighbor timers*

Используйте эту команду для перезаписи глобальных значений таймера и установки таймеров KeepAlive и Hold для указанного соседнего узла. Новые значения не применяются к смежностям, уже находящимся в состоянии ESTABLISHED. Новые таймеры KeepAlive и Hold применяются при следующем формировании смежности.

Выполнение этой команды в режиме конфигурирования шаблона узла сети (Peer Template) добавляет эту настройку в шаблон.

**Значение по умолчанию:** KeepAlive – 30 сек. Hold – 90 сек.

**Формат:** `neighbor {ipv4-address | ipv6-address [interface interface-name]} autodetect interface interface-name } timers keepalive holdtime`

**Режим ввода команд:** конфигурирование BGP-маршрутизатора  
 конфигурирование семейства адресов IPv4 VRF  
 конфигурирование шаблона узла сети

<b>Параметр</b>	<b>Описание</b>
<b>ipv4-address   ipv6-address</b>	IPv4- или IPv6-адрес соседнего узла. Это IP-адрес соединения между двумя узлами. Если IPv6-адрес соседнего узла является адресом link-local, локальный интерфейс также требуется указать.
<b>autodetect interface <i>interface-name</i></b>	Интерфейс маршрутизации, на котором IPv6-адрес link-local соседнего узла определяется автоматически.
<b>keepalive</b>	Время в секундах между пакетами BGP KEEPALIVE, отправляемыми к соседнему узлу сети. Диапазон — от 0 до 65 535 секунд. К интервалу KeepAlive применяются колебания задержки.
<b>holdtime</b>	Интервал в секундах, в течение которого BGP считает соседний узел активным, не получая от него пакетов BGP KEEPALIVE или UPDATE. Если ни один пакет KEEPALIVE не будет получен от соседнего узла по истечении этого интервала, BGP сбрасывает смежность. Если интервал hold установлен как 0, протокол BGP не применяет этот параметр и не отправляет периодические сообщения KEEPALIVE. Диапазон — от 0 до 65 535 секунд.

### *no neighbor timers*

Эта команда возвращает таймеры KeepAlive и Hold на узле в значение по умолчанию. После выполнения этой команды требуется перезагрузить BGP-узел, и тогда изменения вступят в силу.

**Формат:** `no neighbor {ipv4-address | ipv6-address [interface interface-name] | autodetect interface interface-name }timers`

**Режим ввода команд:** конфигурирование BGP-маршрутизатора  
 конфигурирование семейства адресов IPv4 VRF  
 конфигурирование шаблона узла сети

### *neighbor update-source*

Используйте эту команду для настройки протокола BGP на использование указанного IP-адреса в качестве адреса источника для TCP-соединения с соседним узлом. Значение IP-адреса должно представлять собой IP-адрес, настроенный на узле в качестве адреса соседнего узла для данного маршрутизатора.

IP-адрес, используемый в качестве адреса источника в IP-пакетах отправленных к соседнему узлу, должен совпадать с адресом, использованным для настройки локальной системы в качестве соседнего узла для соседнего маршрутизатора. Другими словами, если источник сообщений UPDATE настроен, он должен иметь IP-адрес, совпадающий с адресом, использованным в команде neighbor remote-as для данного узла.

Обычно IP-адрес используют на loopback-интерфейсе, так как этот интерфейс доступен всегда, при условии что поднят хотя бы один интерфейс маршрутизации. Сессия может продолжаться до тех пор, пока loopback-интерфейс остается доступным. Если IP-адрес используется на интерфейсе маршрутизации, сессия закрывается, если выключается этот интерфейс маршрутизации.



Выполнение этой команды в режиме конфигурирования шаблона узла сети (Peer Template) добавляет эту настройку в шаблон.

<b>Значение по умолчанию:</b>	если источник не настроен, TCP-соединения используют основной IPv4-адрес на исходящем интерфейсе соседнего узла.
<b>Формат:</b>	<code>neighbor {ipv4-address   autodetect interface interface-name } update-source interface</code>
<b>Режим ввода команд:</b>	конфигурирование BGP-маршрутизатора конфигурирование семейства адресов IPv4 VRF конфигурирование шаблона узла сети

<i>Параметр</i>	<i>Описание</i>
<code>ipv4-address   ipv6-address</code>	IPv4- или IPv6-адрес соседнего узла. Это IP-адрес соединения между двумя узлами. Если IPv6-адрес соседнего узла является адресом link-local, локальный интерфейс также требуется указать.
<code>autodetect interface interface-name</code>	Локальный IPv6-адрес соседнего узла, который будет автоматически определяться на указанном интерфейсе.
<code>update-source interface</code>	Основной IPv4-адрес на интерфейсе использующийся в качестве IP-адреса источника для TCP-соединения с соседним узлом.

### *no neighbor update-source*

Эта команда настраивает BGP на использование основного IPv4-адреса на исходящем интерфейсе для TCP-соединения.

<b>Формат:</b>	<code>no neighbor {ipv4-address   ipv6-address [interface interface-name]   autodetect interface interface-name } update-source</code>
<b>Режим ввода команд:</b>	конфигурирование BGP-маршрутизатора конфигурирование семейства адресов IPv4 VRF конфигурирование шаблона узла сети

### ***network (конфигурирование BGP-маршрутизатора)***

Команда настраивает в BGP анонсирование префикса адреса. Префикс анонсируется только в том случае, если общая таблица маршрутизации содержит маршрут другого протокола (не BGP) с тем же префиксом. Этот маршрут может быть подключенным, статическим или динамическим маршрутом другого протокола маршрутизации.

BGP принимает в семейство адресов до 64 сетей. Команда `network` может указать маршрут по умолчанию (сеть 0.0.0.0, маска 0.0.0.0).

Если для установки атрибутов анонсируемых маршрутов использована карта маршрута, условия `match as-path` и `match community` в карте маршрута игнорируются. Условие `match ip-address prefix-list` в этом контексте применяется. Если в карте маршрута есть такое условие, сеть анонсируется только в том случае, если список префиксов разрешает префикс этой сети. Если карты маршрута с указанным именем не существует, сеть не анонсируется.

**Значение по умолчанию:** сеть не анонсируется.

**Формат:** `network prefix mask network-mask [route-map rm-name]`

**Режим ввода команд:** конфигурирование BGP-маршрутизатора  
 конфигурирование семейства адресов IPv4 VRF  
 конфигурирование семейства адресов IPv6

Параметр	Описание
<b>prefix</b>	Префикс IPv4-адреса в представлении с точками.
<b>network-mask</b>	Сетевая маска для префикса в представлении с точками (например, 255.255.0.0).
<b>rm-name</b>	(Необязательный параметр.) Для установки атрибутов пути на маршруте может быть использована карта маршрута.

### *no network (конфигурирование BGP-маршрутизатора)*

Эта команда выключает анонсирование префикса адреса в BGP.

**Формат:** `no network prefix mask network-mask [route-map rm-name]`

**Режим ввода команд:** конфигурирование BGP-маршрутизатора

### **rd**

Используйте эту команду, чтобы указать Route Distinguisher (RD) для экземпляра VRF, который использован для создания префикса VPNv4. RD создает таблицы маршрутизации и переадресации и указывает Route Distinguisher по умолчанию для VPN. RD добавляется в начале префиксов IPv4, чтобы сделать их глобально уникальными VPNv4-префиксами.

Значение RD может быть следующим.

- Связанным с ASN: состоит из номера автономной системы и произвольного числа.
- Связанным с IP-адресом: состоит из IP-адреса и произвольного числа.
- Связанным с 4-байтовым ASN: состоит из 4-байтового номера автономной системы и произвольного числа.

**Значение по умолчанию:** VRF не связан ни с каким RD.

**Формат:** `rd route-distinguisher`

**Режим ввода команд:** конфигурирование виртуального маршрутизатора

Параметр	Описание
<b>route-distinguisher</b>	8-байтовое значение, которое добавляется к префиксу IPv4, чтобы создать префикс VPNv4. Значение RD может быть указано в любом из следующих форматов. <ul style="list-style-type: none"> <li>• 16-разрядный номер AS: произвольное 32-битное значение (например, 100 :11)</li> <li>• 32-битный IPv4-адрес: произвольное 16-</li> </ul>

	битное значение (например, 10.1.1.1 :22) <ul style="list-style-type: none"> <li>• 4-байтовый номер AS: произвольное 32-битное значение (например, 66666 :33)</li> </ul>
--	---



Эта команда действительна только в том случае, если BGP на маршрутизаторе активен. После настройки RD для VRF не может быть изменен или удален. По этой причине данная команда не имеет по-формы

Чтобы изменить настроенное значение RD, удалите VRF (с помощью команды по ip vrf) и перенастройте его.

### ***redistribute (конфигурирование BGP-маршрутизатора)***

Эта команда настраивает BGP анонсировать маршруты, полученные без помощи протокола BGP. BGP может перераспределять локальные (подключенные), статические, OSPF- и RIP-маршруты.

Команда `distribute-list out` также может быть использована для фильтрации перераспределяемых маршрутов на основании префикса. Для фильтрации можно настроить либо карту перераспределения маршрута, либо список анонсирования, но не одновременно.

Маршрут по умолчанию перераспределяется только в случае выполнения команды `default-information originate`.

Если настроена карта, условия `match as-path` и `match community` игнорируются. Если карты маршрута с указанным именем не существует, префиксы не перераспределяются.

**Значение по умолчанию:** BGP не перераспределяет маршруты. Если BGP перераспределяет маршруты OSPF, он перераспределяет только внутренние маршруты, пока внешние маршруты не указаны с помощью параметра **match**.

**Формат:** `redistribute {ospf | rip | connected | static} [metric metric-value]  
[match {internal | external 1 | external 2 | nssa-external 1 | nssa-external 2}] [route-map map-tag]`

**Режим ввода команд:** конфигурирование BGP-маршрутизатора  
конфигурирование семейства адресов IPv4 VRF  
конфигурирование семейства адресов IPv6

<b>Параметр</b>	<b>Описание</b>
<b>ospf, rip, connected, static</b>	Источник перераспределяемого маршрута.
<b>metric <i>metric-value</i></b>	(Необязательный параметр.) Если указана эта опция, BGP анонсирует префикс с атрибутом пути MED, установленным в заданное значение. Если этот параметр не указан, но для BGP настроена метрика по умолчанию, MED принимает значение метрики по умолчанию. Если метрика по умолчанию не настроена, префикс анонсируется без атрибута MED.
<b>match</b>	(Необязательный параметр.) При настройке протокола BGP для перераспределения маршрутов OSPF BGP по умолчанию перераспределяет только внутренние маршруты (OSPF-маршруты внутри зоны и между зонами). Используйте опцию <code>match</code> , чтобы настроить BGP дополнительно перераспределять определенные типы внешних маршрутов или чтобы

	выключить перераспределение внутренних маршрутов OSPF.
<b>route-map map-tag</b>	(Необязательный параметр.) Карта маршрута может быть использована для фильтрации перераспределяемых маршрутов по префиксу места назначения с использованием списка префиксов. Карта маршрута может быть использована для установки атрибутов перераспределяемых маршрутов.

### *no redistribute (конфигурирование BGP-маршрутизатора)*

Эта команда удаляет в BGP настройки перераспределения маршрутов от указанного протокола источника/маршрутизатора. Команда `no redistribute ospf match external 1` отзовет только внешние OSPF-маршруты типа 1, внутренние маршруты OSPF по-прежнему будут перераспределяться.

**Формат:** `no redistribute {ospf | rip | connected | static} [metric metric-value]  
[match {internal | external 1 | external 2 | nssa-external 1 | nssa external 2}] [route-map map-tag]`

**Режим ввода команд:** конфигурирование BGP-маршрутизатора  
конфигурирование семейства адресов IPv4 VRF  
конфигурирование семейства адресов IPv6

### **route-target**

Используйте эту команду для создания списка экспорта, импорта или обеих операций в отношении расширенных сообществ `route-target (RT)` для указанного экземпляра VRF. Введите команду `route-target` один раз для каждого расширенного сообщества `route-target`. Маршруты, которые изучены и связаны с указанным расширенным сообществом `route-target`, импортируются во все VRF, настроенные с помощью этого расширенного сообщества в качестве `route-target` импорта.

Настроенный экспорт RT выполняется в качестве расширенного сообщества в формате MP-BGP для узла eBGP. Значение RT может быть следующим.

- Связанным с ASN: состоит из номера автономной системы и произвольного числа.
- Связанным с IP-адресом: состоит из IP-адреса и произвольного числа.
- Связанным с 4-байтовым ASN: состоит из 4-байтового номера автономной системы и произвольного числа.

**Значение по умолчанию:** VRF не связан с RT.

**Формат:** `route-target {export | import | both} rt-ext-comm`

**Режим ввода команд:** конфигурирование виртуального маршрутизатора

<i>Параметр</i>	<i>Описание</i>
<b>export</b>	Экспортирует маршрутную информацию в расширенное сообщество целевой VPN.

<b>import</b>	Импортирует маршрутную информацию из расширенного сообщества целевой VPN.
<b>both</b>	Экспортирует маршрутную информацию из расширенного сообщества целевой VPN и импортирует ее в это сообщество.
<b>rt-ext-comm</b>	<p>Атрибуты расширенного сообщества <code>route-target</code>, которые будут добавлены в список импорта, экспорта или обеих операций расширенных сообществ.</p> <p>Атрибут <code>route-target</code> указывает расширенное сообщество целевой VPN. Подобно параметру <code>Route Distinguisher</code>, расширенное сообщество <code>route-target</code> может быть определено в любом из следующих форматов.</p> <ul style="list-style-type: none"> <li>• 16-разрядный номер AS: произвольное 32-битное значение (например, 100 :11)</li> <li>• 32-битный IPv4-адрес: произвольное 16-битное значение (например, 10.1.1.1 :22)</li> <li>• 4-байтовый номер AS: произвольное 32-битное значение (например, 66666 :33)</li> </ul>



Эта команда действительна только в том случае, если BGP на маршрутизаторе активен. После настройки RD для VRF не может быть изменен или удален. По этой причине данная команда не имеет по-формы

Чтобы изменить настроенное значение RD, удалите VRF (с помощью команды `no ip vrf`) и перенастройте его.



Эта команда действительна только в том случае, если BGP на маршрутизаторе активен.

### *no route-target*

Эта команда удаляет `route-target`, указанный для экземпляра VRF.

**Формат:** `no route-target {export | import | both} rt-ext-comm`

**Режим ввода команд:** конфигурирование виртуального маршрутизатора

### *template peer*

Чтобы создать в BGP шаблон узла сети (Peer Template) и войти в режим конфигурирования этого шаблона, используйте команду `template peer` в режиме конфигурирования маршрутизатора. Шаблон узла сети можно настроить с параметрами, которые применимы ко многим узлам. После этого можно настроить соседние узлы так, чтобы они наследовали параметры указанного шаблона. Шаблон узла сети может включать в себя как параметры сессии, так и политики для узла. Политики узлов настраиваются в режиме конфигурирования семейства адресов и применяются только к указанному семейству адресов. Можно настроить до 32 шаблонов узла. При внесении изменений в шаблон эти изменения немедленно применяются ко всем соседним узлам, которые наследуют параметры от шаблона (при этом изменения политик применяются с трехминутной задержкой).



Команда *remote-as as-number* не поддерживается в режиме конфигурирования шаблона узла сети. Номер AS соседнего устройства требуется указать при создании соседнего узла

**Значение по умолчанию:** шаблон узла сети не настроен.  
**Формат:** `template peer name`  
**Режим ввода команд:** конфигурирование BGP-маршрутизатора

Параметр	Описание
name	Имя шаблона. Может содержать не более 32 символов.

### *no template peer*

Используйте **no**-форму команды, чтобы удалить шаблон узла сети.

**Формат:** `no template peer name`  
**Режим ввода команд:** конфигурирование BGP-маршрутизатора

Параметр	Описание
name	Имя шаблона. Может содержать не более 32 символов.

### *address-family*

Используйте команду *address-family* в режиме конфигурирования шаблона узла сети, чтобы настроить в шаблоне параметры политики, которая должна применяться к конкретному семейству адресов. Эта команда выполняет вход в режим конфигурирования семейства адресов в рамках шаблона узла сети. Команды политики, настроенные в этом режиме, применяются к семейству адресов. Ниже перечислены команды, которые могут быть добавлены в шаблон узла сети в режиме конфигурирования семейства адресов.

- activate
- advertisement-interval seconds
- default-originate
- filter-list as-path-list-number {in | out}
- maximum-prefix {maximum | unlimited} [threshold]
- next-hop-self
- prefix-list prefix-list-name {in | out}
- remove-private-as [all replace-as]
- route-map map-name {in | out}
- route-reflector-client
- send-community

**Формат:** `address-family {ipv4 vrf|ipv6} vrf`  
**Режим ввода команд:** привилегированный

Параметр	Описание
----------	----------

<b>ipv4</b>	Настраивает параметры политики, которые будут применяться к IPv4-маршрутам.
<b>ipv6</b>	Настраивает параметры политики, которые будут применяться к IPv6-маршрутам.

### *no address-family*

Для удаления всех команд политики для семейства адресов в шаблоне узла сети используйте по-форму команды.

**Формат:** `no address-family {ipv4|ipv6}`

**Режим ввода команд:** привилегированный

<i>Параметр</i>	<i>Описание</i>
<b>ipv4</b>	Настраивает параметры политики, которые будут применяться к IPv4-маршрутам.
<b>ipv6</b>	Настраивает параметры политики, которые будут применяться к IPv6-маршрутам.

### *activate*

Используйте эту команду в режиме конфигурирования шаблона узла сети для активации обмена IPv6-маршрутами.

**Формат:** `activate`

**Режим ввода команд:** конфигурирование семейства адресов IPv6

### *connect-retry-interval*

Используйте эту команду в режиме конфигурирования шаблона узла сети, чтобы добавить эту команду в шаблон и настроить интервал повторного подключения. Если соседний узел не реагирует на начальную попытку TCP-подключения, выполняется три повторных попытки. Первая повторная попытка выполняется по истечении интервала повторной попытки, настроенного с помощью команды `neighbor connect-retry-interval` (конфигурирование BGP-маршрутизатора). Каждая последующая повторная попытка выполняется после удвоенного предыдущего интервала. Таким образом, по умолчанию TCP-подключение повторяется через 2, 4 и 8 секунд. Если ни одна из попыток не будет успешной, смежность сбрасывается в состояние IDLE и запускается таймер продолжительности этого состояния. Протокол BGP пропускает повторные попытки и сразу переходит в состояние IDLE, если TCP при попытке подключения возвращает ошибку «destination unreachable».

**Значение по умолчанию:** 2 секунды

**Формат:** `connect-retry-interval retry-time`

**Режим ввода команд:** конфигурирование шаблона узла сети

<i>Параметр</i>	<i>Описание</i>
<b>retry-time</b>	Интервал ожидания в секундах для выполнения попытки повторного TCP-подключения в указанному соседнему узлу после сбоя прошлой попытки.

### *no connect-retry-interval*

Эта команда сбрасывает к значению по умолчанию интервал для выполнения попытки повторного подключения в шаблоне узла сети.

**Формат:** `no connect-retry-interval`

**Режим ввода команд:** конфигурирование шаблона узла сети

#### ***description***

Данная команда в режиме конфигурирования шаблона узла сети позволяет добавить команду в шаблон и настроить текстовое описание соседнего узла. Описание является информационным и не имеет никакого функционального влияния.

**Значение по умолчанию:** описание не задано.

**Формат:** `description text`

**Режим ввода команд:** конфигурирование шаблона узла сети

<i>Параметр</i>	<i>Описание</i>
<code>text</code>	Текстовое описание соседнего узла. Допустимая длина — до 80 символов.

### *no description*

Используйте эту команду, чтобы удалить текстовое описание соседнего узла из шаблона узла сети.

**Формат:** `no description`

**Режим ввода команд:** конфигурирование BGP-маршрутизатора  
конфигурирование шаблона узла сети

#### ***password***

Применение этой команды в режиме конфигурирования шаблона узла сети добавляет в шаблон настройку TCP-пароля.

**Значение по умолчанию:** аутентификация MD5 выключена.

**Формат:** `password string`

**Режим ввода команд:** конфигурирование шаблона узла сети

<i>Параметр</i>	<i>Описание</i>
<code>string</code>	Пароль, от 1 до 25 символов с учетом регистра.

### *no password*

Эта команда выключает TCP-пароль в шаблоне узла сети.

**Формат:** `no password`

**Режим ввода команд:** конфигурирование шаблона узла сети



## **shutdown**

Используйте эту команду в режиме конфигурирования шаблона узла сети для настройки административного статуса в шаблоне.

- Значение по умолчанию:** соседние узлы не выключаются.
- Формат:** shutdown
- Режим ввода команд:** конфигурирование шаблона узла сети

## **no shutdown**

Эта команда позволяет административно включить BGP в шаблоне узла сети.

- Формат:** no shutdown
- Режим ввода команд:** конфигурирование BGP-маршрутизатора  
конфигурирование шаблона узла сети

## **timers**

Используйте эту команду в режиме конфигурирования шаблона узла сети, чтобы настроить таймеры KeepAlive и Hold в шаблоне.

- Значение по умолчанию:** таймеры KeepAlive и Hold настроены глобально в значения по умолчанию с помощью команды address-family.
- Формат:** timers keepalive holdtime
- Режим ввода команд:** конфигурирование шаблона узла сети

<b>Параметр</b>	<b>Описание</b>
<b>keepalive</b>	Время в секундах между пакетами BGP KEEPALIVE, отправляемыми к соседнему узлу сети. Диапазон — от 0 до 65 535 секунд. К интервалу KeepAlive применяются колебания задержки.
<b>holdtime</b>	Интервал в секундах, в течение которого BGP считает соседний узел активным, не получая от него пакетов BGP KEEPALIVE или UPDATE. Если ни один пакет KEEPALIVE не будет получен от соседнего узла по истечении этого интервала, BGP отбрасывает смежность. Если интервал hold установлен как 0, протокол BGP не применяет этот параметр и не отправляет периодические сообщения KEEPALIVE. Диапазон — от 0 до 65 535 секунд.

## **no timers**

Эта команда возвращает таймеры KeepAlive и Hold в шаблоне узла сети в значение по умолчанию. После выполнения этой команды требуется перезагрузить BGP-узел, и тогда изменения вступят в силу.

- Формат:** no timers
- Режим ввода команд:** конфигурирование шаблона узла сети

## **update-source**

Используйте эту команду в режиме конфигурирования шаблона узла сети для настройки шаблона на использование указанного IP-адреса в качестве адреса источника для TCP-соединения с соседним узлом. Значение IP-адреса должно представлять собой IP-адрес, настроенный на узле в качестве адреса соседнего узла для данного маршрутизатора.

**Значение по умолчанию:** если источник не настроен, TCP-соединения используют основной IPv4-адрес на исходящем интерфейсе соседнего узла.

**Формат:** `update-source {unit/slot/port | vlan id}`

**Режим ввода команд:** конфигурирование шаблона узла сети

<i>Параметр</i>	<i>Описание</i>
<code>update-source interface</code>	Основной IPv4-адрес на интерфейсе используется в качестве IP-адреса источника для TCP-соединения с соседним узлом.

## **no update-source**

Эта команда настраивает шаблон узла сети на использование основного IPv4-адреса на исходящем интерфейсе для TCP-соединения.

**Формат:** `no update-source`

**Режим ввода команд:** конфигурирование шаблона узла сети

## **timers bgp**

Эта команда настраивает значения KeepAlive и Hold, которые BGP использует для всех соседних узлов.

Если BGP устанавливает смежность, соседние узлы соглашаются использовать минимальное время Hold, настроенное для любого из узлов. BGP посылает сообщения KEEPALIVE с интервалами, равными 1/3 согласованного времени Hold, или с настроенным интервалом KeepAlive, выбирая из этих значений меньшее.

Новые значения не применяются к смежностям, уже находящимся в состоянии ESTABLISHED. Новые таймеры KeepAlive и Hold применяются при следующем формировании смежности.

**Значение по умолчанию:** Интервал KeepAlive составляет 30 секунд. Интервал Hold составляет 90 секунд.

**Формат:** `timers bgp keepalive holdtime`

**Режим ввода команд:** конфигурирование BGP-маршрутизатора  
конфигурирование семейства адресов IPv4 VRF

<i>Параметр</i>	<i>Описание</i>
<code>update-source interface</code>	Время в секундах между пакетами BGP KEEPALIVE, отправляемыми к соседнему узлу сети. Диапазон — от 0 до 65 535 секунд. К интервалу KeepAlive применяются колебания задержки.
<code>holdtime</code>	Интервал в секундах, в течение которого BGP считает соседний узел активным, не получая от него пакетов BGP KEEPALIVE или UPDATE. Если ни один пакет

	KEEPALIVE не будет получен от соседнего узла по истечении этого интервала, BGP отбрасывает смежность. Если интервал hold установлен как 0, протокол BGP не применяет этот параметр и не отправляет периодические сообщения KEEPALIVE. Диапазон — от 0 до 65 535 секунд.
--	---

### *no timers bgp*

Эта команда возвращает интервалы KeepAlive и Hold, которые BGP использует для всех соседних узлов, в значения по умолчанию.

**Формат:** no timers bgp  
**Режим ввода команд:** конфигурирование BGP-маршрутизатора

### *timers policy-apply delay*

Эта команда настраивает задержку применения для изменений, внесенных в глобальные политики или во входящие/исходящие политики конкретных BGP-узлов.

Каждый раз, когда пользователь вносит изменения в политики (route-maps/prefix-lists/as-path-lists) или атрибуты соседних узлов, такие как send-community, remove private-asn и т. д., политика применяется после установленного интервала задержки. Каждый раз, когда пользователь настраивает интервал задержки, для политик, ожидающих изменения, если таковые имеются, применяется новая задержка, если предыдущий интервал задержки еще не истек. Интервал задержки со значением 0 секунд означает, что изменения применяются немедленно.

При изменениях в исходящих политиках, которые требуется применить к соседним узлам, отправляются пакеты WITHDRAW, а затем, когда задержка истекла и изменения применены, — пакеты UPDATE. В случае внесения изменений в такие атрибуты соседних узлов, как send-community, remove-private-asn и т. д., пакеты WITHDRAW не отправляются, вместо этого по истечении интервала задержки отправляются новые значения в пакетах UPDATE.

**Значение по умолчанию:** интервал задержки — 180 секунд.  
**Формат:** timers policy-apply delay *delay*  
**Режим ввода команд:** конфигурирование BGP-маршрутизатора  
 конфигурирование семейства адресов IPv4 VRF

<i>Параметр</i>	<i>Описание</i>
<b>delay</b>	Интервал в секундах, по истечении которого применяются глобальные политики или политики для соседних узлов. Диапазон — от 0 до 180 секунд.

### *no timers policy-apply delay*

Данная команда устанавливает задержку применения для изменений, внесенных в глобальные политики или во входящие/исходящие политики конкретных BGP-узлов, в значение по умолчанию.

**Формат:** no timers policy-apply delay

**Режим ввода команд:** конфигурирование BGP-маршрутизатора  
конфигурирование семейства адресов IPv4 VRF

### *clear ip bgp*

Эта команда сбрасывает сессии между узлами, относящимися к указанной подсети, или между всеми узлами. Параметры команды указывают, какие сеансы сбрасываются и какой тип сброса выполняется. Сброс типа soft inbound приводит к тому, что BGP отправляет запрос Route Refresh в адрес каждого сбрасываемого узла. Если соседний узел не поддерживает Route Refresh, обновленная политика применяется к маршрутам, ранее полученным от этого соседнего узла.

При внесении изменений в исходящую политику BGP назначает сброс типа soft outbound для обновления соседних узлов в соответствии с новой политикой. Использование параметра interface указывает, что изменения применяются к указанному порту или VLAN.

Эта команда применяется к маршрутам для всех семейств адресов.

**Формат:** clear ip bgp [vrf vrf-name] [\* | as-number | ipv4-address | ipv6-address [interface interface-name] | interface interface-name | [listen range network/length ]] [soft [in | out]]

**Режим ввода команд:** привилегированный

Параметр	Описание
vrf-name	Имя экземпляра VRF.
*	Сбрасывает смежность с каждым BGP-узлом
as-number	Сбрасывает смежность только с BGP-узлами в указанной автономной системе.
ipv4-address	Сбрасывает смежность с одним узлом сети, указанным с помощью IPv4-адреса.
ipv6-address	Сбрасывает смежность с одним узлом сети, указанным с помощью IPv6-адреса. Смежность, которая формируется с функцией AUTODETECT, не может быть сброшена с помощью данной команды.
interface	Сброс смежности только на указанном интерфейсе. Смежность должна быть сформирована с помощью IPv6 link-local или с помощью функции auto detect.
listen range	Сбрасывает все смежности, которые включены в диапазон сети прослушивания.
soft	(Необязательный параметр.) По умолчанию смежности сбрасываются, а затем восстанавливаются. Если указано ключевое слово soft, BGP повторно отправляет к соседним узлам сообщения UPDATE и повторно обрабатывает сообщения UPDATE от них.
in   out	(Необязательный параметр.) Если задано ключевое слово in, повторно обрабатываются сообщения UPDATE от соседнего узла сети. Если задано ключевое слово out, выполняется повторная отправка сообщения UPDATE к соседнему узлу. Если ни одно

ключевое слово не задано, сообщения UPDATE повторно обрабатываются в обоих направлениях.
--

### **clear ip bgp counters**

Эта команда сбрасывает все счетчики BGP до 0. В число счетчиков входят счетчики отправленных и принятых пакетов, а также счетчики префиксов для всех соседних узлов.

**Формат:** clear ip bgp [vrf vrf-name] counters

**Режим ввода команд:** привилегированный

### **debug ip bgp**

Чтобы включить трассировку отладки событий BGP, используйте команду debug ip bgp в привилегированном режиме. Сообщения отладки отправляются в системный журнал с уровнем критичности DEBUG. Чтобы отобразить их в консоли, включите ведение журналов в консоли для уровня DEBUG (команда logging console debug).

Опции отладки для конкретного соединения являются объединением опций, включенных глобально, и опций, включенных для данного соединения.

Включение одной из опций типа пакета включает пакетную трассировку во входящем и в исходящем направлении.

**Значение по умолчанию:** трассировка отладки не включена.

**Формат:** debug ip bgp [ peer-address | events | keepalives | notification | open | refresh | updates ]

**Режим ввода команд:** привилегированный

<b>Параметр</b>	<b>Описание</b>
<b>peer-address</b>	(Необязательный параметр.) IPv4- или IPv6-адрес BGP-узла. Когда эта опция задана, отслеживание отладки включается для определенного узла. Команда может быть выполнена многократно, чтобы включить одновременную трассировку для нескольких узлов.
<b>events</b>	(Необязательный параметр.) Включает отслеживание событий статуса смежности.
<b>keepalives</b>	(Необязательный параметр.) Отслеживание передачи и получения пакетов KEEPALIVE.
<b>notification</b>	(Необязательный параметр.) Отслеживание передачи и получения пакетов NOTIFICATION.
<b>open</b>	(Необязательный параметр.) Отслеживание передачи и получения пакетов OPEN.
<b>refresh</b>	(Необязательный параметр.) Отслеживание передачи и получения пакетов ROUTE REFRESH.
<b>updates</b>	(Необязательный параметр.) Отслеживание передачи и получения пакетов UPDATE.

## show ip bgp

Используйте команду show ip bgp в привилегированном режиме для просмотра маршрутов в таблице маршрутизации BGP. Вывод команды отображает оптимальные и неоптимальные пути к каждому месту назначения. Если указан экземпляр VRF, отображаются IPv4-маршруты в таблице маршрутизации BGP для этого экземпляра VRF.

**Формат:** `show ip bgp [vrf vrf-name] [network/pfx-len [longer-prefixes | shorter-prefixes [length] ] | filter-list as-path-list | prefix-list pfx-list-name]`

**Режим ввода команд:** привилегированный

Параметр	Описание
network/pfx-len	(Необязательный параметр.) Отображает указанный маршрут, идентифицированный префиксом места назначения.
longer-prefixes	(Необязательный параметр.) Используется с опцией network/pfx-len, чтобы отобразить маршруты, длина префикса которых равна или больше указанного pfx-len. Этот параметр не может использоваться, если задана опция shorter-prefixes.
shorter-prefixes [length]	(Необязательный параметр.) Используется с опцией network/pfx-len, чтобы отобразить маршруты, длина префикса которого меньше указанного pfx-len и, необязательно, больше указанной длины. Этот параметр не может использоваться, если задана опция longer-prefixes.
filter-list as-path	(Необязательный параметр.) Фильтрует вывод команды, отображая маршруты, которые соответствуют указанному списку AS Path. Этот параметр не может использоваться, если задана опция network/pfx-len или prefix list.
pfx-list-name	(Необязательный параметр.) Фильтрует вывод команды, отображая маршруты, которые соответствуют заданному списку префиксов. Этот параметр не может использоваться, если задана опция network/pfx-len или prefix list.

Вывод команды отображает следующую информацию.

Параметр	Описание
BGP table version	Каждый раз, когда фаза 2 процесса принятия решений BGP работает над выбором новых маршрутов BGP, это значение увеличивается.
Status codes	<ul style="list-style-type: none"> <li>• s — маршрут объединен в агрегированный адрес, настроенный с опцией summary-only</li> <li>• — BGP никогда не отображает неверные маршруты; так что этот код отображается всегда</li> <li>• &gt; — указывает, что BGP выбрал этот путь как оптимальный путь к месту назначения</li> </ul>

	<ul style="list-style-type: none"> <li>• i — маршрут изучен от внутреннего узла</li> </ul>
<b>Network</b>	Префикс места назначения
<b>Next Hop</b>	Ближайший BGP-узел маршрута
<b>Metric</b>	Атрибут Multi Exit Discriminator
<b>LocPrf</b>	Локальный приоритет
<b>Path</b>	AS Path

Если команда задана с опцией `network/pfx-len` и без каких-либо других опций, формат вывода перечисляет больше информации об индивидуальном префиксе. Оптимальный маршрут всегда первый в списке, далее следуют неоптимальные маршруты. Ввод команды отображает только атрибуты, включенные в каждый путь.

<i>Параметр</i>	<i>Описание</i>
<b>Prefix/Prefix Length</b>	Префикс места назначения и длина префикса.
<b>Generation ID</b>	Версия таблицы BGP-маршрутизации на момент последнего изменения маршрута.
<b>Forwarding</b>	Используется ли этот BGP-маршрут для переадресации.
<b>Advertised To Update Groups</b>	Исходящие группы анонсирования, в адрес которых передается маршрут.
<b>Local Preference</b>	Локальный приоритет, либо полученный от узла, либо установленный в соответствии с локальной политикой.
<b>AS Path</b>	AS Path. Эта форма команды <code>show ip bgp</code> отображает AS Path такой длины, какая разрешена в рамках <code>maxas-limit</code> в BGP.
<b>Origin</b>	Значение атрибута ORIGIN.
<b>Metric</b>	Значение атрибута MED, если он включен.
<b>Type</b>	Получен ли путь от внутреннего или внешнего узла.
<b>IGP Cost</b>	Внутренняя стоимость пограничного шлюза (например, стоимость OSPF) к ближайшему BGP-узлу.
<b>Peer (Peer ID)</b>	IP-адрес узла, который отправил этот маршрут, и его идентификатор маршрутизатора.
<b>BGP Next Hop</b>	Атрибут BGP NEXT HOP.
<b>Atomic Aggregate</b>	Показывает, связан ли с путем атрибут ATOMIC AGGREGATE.
<b>Aggregator</b>	Номер AS и идентификатор маршрутизатора инициатора объединения маршрута.
<b>Communities</b>	BGP-сообщества, связанные с путем.
<b>Originator</b>	Если атрибут ORIGINATOR связан с путем, отображается значение этого атрибута
<b>Cluster List</b>	Если атрибут CLUSTER_LIST связан с путем,

	отображается последовательность идентификаторов кластера в списке кластеров.
--	--

### ***show ip bgp aggregate-address***

Эта команда выводит список настроенных агрегированных адресов и показывает, является ли каждый из них активным. Если указан VRF, отображаются агрегированные адреса, настроенные в этом экземпляре VRF.

**Формат:** `show ip bgp [vrf vrf-name] aggregate-address`

**Режим ввода команд:** привилегированный

<i>Параметр</i>	<i>Описание</i>
<b>Prefix/Len</b>	Префикс места назначения и длина префикс
<b>AS Set</b>	Показывает, анонсируется ли с агрегированным адресом пустой AS Path (N) или AS SET анонсируется с набором номеров AS, относящихся ко всем путям в агрегированном адресе (Y)
<b>Summary Only</b>	Показывает, подавляются (Y) или анонсируются (N) отдельные сети.
<b>Active</b>	Показывает, анонсируется ли в настоящее время данный агрегированный адрес.

### ***show ip bgp community***

Эта команда показывает маршруты BGP IPv4, которые принадлежат к указанному набору сообществ.

**Формат:** `show ip bgp [vrf vrf-name] community communities [exact-match]`

<i>Параметр</i>	<i>Описание</i>
<b>vrf-name</b>	(Необязательный параметр.) Показывает маршруты, принадлежащие к сообществам, в пределах экземпляра VRF.
<b>communities</b>	Строка из нуля или более значений сообществ, которые могут быть в любом формате и могут содержать хорошо известные ключевые слова сообществ no-advertise и no-export. Вывод команды отображает маршруты, которые принадлежат ко всем сообществам, указанным в команде.
<b>exact-match</b>	(Необязательный параметр.) Отображаются только те маршруты, которые являются членами только тех сообществ, которые были указаны в команде.

### ***show ip bgp community-list***

Данная команда отображает IPv4-маршруты, которые соответствуют списку сообществ. Описание формата вывода и полей аналогичны тем, что приведены в команде show ip bgp.

**Формат:** `show ip bgp [vrf vrf-name] community communities [exact-match]`

**Режим ввода команд:** привилегированный



Параметр	Описание
vrf-name	(Необязательный параметр.) Показывает маршруты, принадлежащие к сообществам, в пределах экземпляра VRF.
name	Имя стандартного списка сообществ.
exact-match	(Необязательный параметр.) Отображаются только те маршруты, которые являются членами только тех сообществ, которые были указаны в списке сообществ.

### **show ip bgp extcommunity-list**

Эта команда отображает все атрибуты разрешений и запретов для указанного расширенного списка сообщества. Если указан параметр list-name, в выводе отображаются атрибуты, которые соответствуют данному list-name; в противном случае отображаются все списки.

**Формат:** show ip bgp extcommunity-list [*list-name*]

**Режим ввода команд:** привилегированный

Параметр	Описание
list-name	Стандартное имя расширенного списка.

Вывод команды отображает следующую информацию.

Параметр	Описание
Standard extended community-list	Стандартное имя расширенного списка сообществ.
permit	Разрешает доступ к условиям совпадения. После того, как значение permit было настроено для заданного набора расширенных сообществ, для всех остальных значений расширенный список сообществ по умолчанию подразумевает отказ.
RT	Атрибут route-target расширенного сообщества.
deny	Запрещает доступ к условиям совпадения.

### **show ip bgp listen range**

Данная команда отображает информацию о диапазоне подсетей прослушивания IPv4 BGP. Если указан параметр *network/length*, сведения отображаются в указанном диапазоне прослушивания.

**Формат:** show ip bgp [*network/length*]

**Режим ввода команд:** привилегированный

### **show ip bgp neighbors**

Эта команда отображает подробную информацию о конфигурации соседнего BGP-узла и его статусе. Если соседний узел настроен наследовать параметры конфигурации из шаблона узла сети, вывод команды отображает наследуемые значения.

**Формат:** show ip bgp [*vrf vrf-name*] neighbors [*neighbor-address*]

<i>Параметр</i>	<i>Описание</i>
<b>vrf-name</b>	(Необязательный параметр.) Показывает соседние узлы, принадлежащие к сообществам в рамках экземпляра VRF.
<b>neighbor-address</b>	(Необязательный параметр.) IP-адрес соседнего узла. Используется для ограничения вывода команды одним узлом.

Вывод команды отображает следующую информацию.

<i>Параметр</i>	<i>Описание</i>
<b>Description</b>	Текстовая строка, назначенная с помощью команды <code>neighbor description</code> (конфигурирование BGP-маршрутизатора). Эта строка появляется, только если описание настроено.
<b>Remote Address</b>	IP-адрес соседнего узла.
<b>Remote AS</b>	Номер автономной системы соседнего узла
<b>BFDD Enabled to Detect Fast Fallover</b>	Указывает, включен ли BFD для соседних узлов.
<b>Peer ID</b>	Идентификатор маршрутизатора соседнего BGP-узла
<b>Peer Admin Status</b>	START или STOP
<b>Peer State</b>	Статус смежности для соседнего узла
<b>Peer Type</b>	Если соседний узел был создан с использованием функции <code>BGP dynamic neighbors</code> , отображается <code>Dynamic</code> .
<b>Listen Range</b>	Если соседний узел был создан с использованием функции <code>BGP dynamic neighbors</code> , отображается диапазон прослушивания, к которому принадлежит соседний узел.
<b>Local Interface Address</b>	IPv4-адрес, используемый в качестве IP-адреса источника в пакетах, отправляемых к этому соседнему узлу.
<b>Local Port</b>	Номер TCP-порта на локальном конце соединения
<b>Remote Port</b>	Номер TCP-порта на удаленном конце соединения
<b>Connection Retry Interval</b>	Интервал ожидания BGP между повторными попытками подключения.
<b>Neighbor Capabilities</b>	Дополнительные возможности, о которых сообщил соседний узел и которые были признаны и приняты этим маршрутизатором. Коды, перечисленные в выводе команды. <ul style="list-style-type: none"> <li>• MP: многопротокольный узел</li> <li>• RF: Route Refresh</li> <li>• AS4: 4-байтовый ASN</li> </ul>

<b>IPv4 Unicast Support</b>	<p>Указывает, можно ли обмениваться одноадресными IPv4-маршрутами с этим узлом. <b>Both</b> указывает на то, что IPv4 активен локально, и соседний узел сети указывает на поддержку одноадресного IPv4 в сообщении OPEN. <b>Sent</b> указывает на то, что одноадресный IPv4 активен локально, но соседний узел не включил AFI/SAFI в свое сообщение OPEN.</p> <p>Одноадресный IPv4 всегда доступен на локальном уровне и не может быть выключен.</p> <p>Указывает, можно ли обмениваться одноадресными IPv6-маршрутами с этим узлом.</p>
<b>IPv6 Unicast Support</b>	<p>Значения <b>Both</b> и <b>Sent</b> имеют тот же смысл, что и для IPv4. <b>None</b> указывает на то, что ни локальный маршрутизатор, ни соседний узел в этой смежности не имеют включенного IPv6. <b>Received</b> указывает на то, что соседний узел сообщает возможность поддержки одноадресного IPv6, но он не включен локально. Одноадресный IPv6 включается локально с помощью команды <code>neighbor activate</code> в режиме конфигурации семейства адресов IPv6.</p>
<b>Update Source</b>	<p>Настроенное значение IP-адреса источника для пакетов, отправляемых на этот узел. Это поле включается в вывод команды, только если источник для сообщений UPDATE настроен.</p>
<b>Configured Hold Time</b>	<p>Интервал в секундах, который этот маршрутизатор предлагает соседнему узлу в качестве времени удержания (hold).</p>
<b>Configured Keep Alive Time</b>	<p>Настроенный интервал KEEPALIVE для этого соседнего узла.</p>
<b>Negotiated Hold Time</b>	<p>Меньшее из значений настроенного времени удержания и времени удержания, полученного в сообщении OPEN от этого соседнего узла. Если локальный маршрутизатор не получает от соседнего узла сообщение KEEPALIVE или UPDATE в пределах этого интервала времени, локальный маршрутизатор отбрасывает смежность. Это поле отображается только в том случае, если смежность имеет статус не ниже OPEN CONFIRM.</p>
<b>Keep Alive Time</b>	<p>Время в секундах между сообщениями KEEPALIVE, отправляемыми к этому соседнему узлу. Это поле отображается только в том случае, если смежность имеет статус не ниже OPEN CONFIRM.</p>
<b>MD5 Password</b>	<p>Пароль TCP MD5, если он настроен, в формате обычного текста</p>
<b>Last Error (Sent)</b>	<p>Последняя ошибка, которая произошла в процессе соединения с этим соседним узлом</p>
<b>Last SubError</b>	<p>Подошибка, переданная с последней ошибкой.</p>
<b>Established Transitions</b>	<p>Сколько раз смежность переходила в состояние Established.</p>

<b>Established Time</b>	Время, после того как соединение в последний раз перешло в состояние Established или из него.
<b>Time Since Last Update</b>	Сколько времени прошло с момента получения сообщения UPDATE от соседнего узла.
<b>Message Table</b>	Количество сообщений BGP, отправленных в адрес этого соседнего узла и полученных от него.
<b>Received UPDATE Queue Size</b>	Принятые сообщения UPDATE ставятся в очередь для обработки. Этот раздел показывает текущую длину очереди UPDATE на соседнем узле в байтах, метку верхнего уровня, ограничение и количество сообщений UPDATE, которые были отброшены, поскольку очередь была заполнена.
 <b>Следующие поля отображаются как для IPv4, так и IPv6, если IPv6 активен.</b>	
<b>Prefixes Advertised</b>	Динамический счетчик числа префиксов, анонсируемых на этот соседний узел или принятых от него.
<b>Prefixes Withdrawn</b>	Динамический счетчик числа префиксов, включенных в раздел Withdrawn Routes сообщений UPDATE, передаваемых на этот соседний узел и с него.
<b>Prefixes Current</b>	Количество префиксов, в настоящее время анонсируемых на этот соседний узел и принятых от него. Для входящих префиксов это количество включает в себя только префиксы, которые были приняты входной политикой.
<b>Prefixes Accepted</b>	Количество префиксов от этого соседнего узла, которые могут стать активными в локальном RIB. Полученные префиксы не могут быть активированы, если не разрешим ближайший BGP-узел или если AS Path содержит петлю. Префикс считается принятым, только если он был пропущен входной политикой.
<b>Prefixes Rejected</b>	Количество префиксов, полученных от этого соседнего узла, которые не были пропущены входной политикой.
<b>Max NLRI per Update</b>	Максимальное количество префиксов, включенных в отдельное сообщение UPDATE от этого соседнего узла или к нему.
<b>Min NLRI per Update</b>	Минимальное количество префиксов, включенных в отдельное сообщение UPDATE от этого соседнего узла или к нему.

Если маршрутизатор получает сообщение UPDATE с недействительным атрибутом пути, маршрутизатор в большинстве случаев отправляет в ответ сообщение NOTIFICATION и сбрасывает смежность. BGP поддерживает счетчики каждого типа ошибок атрибутов пути для каждого соседнего устройства. Эта команда просмотра оперативного состояния устройства отображает каждый ненулевой счетчик сразу после параметра LastSubError. Счетчики, которые могут быть перечислены.

<b>Параметр</b>	<b>Описание</b>
-----------------	-----------------

<b>Invalid ORIGIN code</b>	Принятое сообщение UPDATE содержит неверный код ORIGIN.
<b>Unexpected first ASN in AS path</b>	Атрибут AS Path от внешнего узла не включает в себя номер AS данного узла в качестве первой AS.
<b>Invalid AS path segment type</b>	AS Path включает в себя сегмент с неправильным типом сегмента.
<b>Invalid BGP NEXT HOP</b>	BGP Next Hop не является допустимым одноадресным адресом.
<b>Bad BGP NEXT HOP</b>	BGP Next Hop совпадает с IP-адресом принимающего устройства, или это IP-адрес за пределами подсети узла.
<b>Invalid AGGREGATOR attribute</b>	Атрибут AGGREGATOR недействителен.
<b>Unrecognized well-known path attribute</b>	Сообщение UPDATE содержит атрибут пути с явным флагом Optional, но маршрутизатор не распознает этот атрибут.
<b>Missing mandatory path attribute</b>	Сообщение UPDATE было получено без обязательного атрибута пути.
<b>Missing LOCAL PREF attribute</b>	Сообщение UPDATE получено от внутреннего узла без атрибута LOCAL PREF.
<b>Invalid prefix in UPDATE NLRI</b>	Сообщение UPDATE, полученное от этого узла, содержит синтаксически неправильный префикс.

### ***show ip bgp neighbors advertised-routes***

Эта команда отображает список маршрутов IPv4, анонсируемых на указанный соседний узел. Эти маршруты в смежном RIB для исходящей группы анонсирования соседнего устройства.

**Формат:** `show ip bgp [vrf vrf-name] neighbors ip-address advertised-routes`  
**Режим ввода команд:** привилегированный

<b>Параметр</b>	<b>Описание</b>
<b>vrf-name</b>	(Необязательный параметр.) Показывает сообщества в пределах экземпляра VRF.
<b>ip-address</b>	IP-адрес соседнего узла.

Вывод команды отображает следующую информацию.

<b>Параметр</b>	<b>Описание</b>
<b>BGP table version</b>	Каждый раз, когда фаза 2 процесса принятия решений BGP работает над выбором новых маршрутов BGP, это значение увеличивается.
<b>Status codes</b>	r — маршрут был обновлен в Adj-RIB-Out с момента отправки последнего сообщения UPDATE. Передача сообщения UPDATE отложена.
<b>Network</b>	Префикс места назначения
<b>Next Hop</b>	BGP NEXT HOP в том виде, как он анонсируется на

	узел.
<b>Local Pref</b>	Локальный приоритет. Локальный приоритет никогда не анонсируется на внешние узлы.
<b>Metric</b>	Значение MED, если MED анонсируется на узел.
<b>Path</b>	AS Path. AS Path не включает в себя локальный номер AS, который добавляется к началу AS Path, когда маршрут анонсируется на внешний узел.

Вывод команды указывает, настроен ли BGP на создание маршрута по умолчанию (`neighbor default-originate`).



Вывод этой команды немного отличается от вывода команды `show ip bgp`. Подавленные и неоптимальные маршруты не анонсируются, так что соответствующие коды статуса не имеют смысла. Анонсируемые маршруты всегда имеют один ближайший узел, BGP NEXT HOP анонсируется на узел. Локальный приоритет никогда не отправляется на внешние узлы.

### ***show ip bgp neighbors policy***

Эта команда отображает входящие и исходящие политики IPv4, настроенные для указанного узла. В выводе обозначены политики, настроенные на самом узле, и политики, которые он наследует из шаблона узла сети.

**Формат:** `show ip bgp [vrf vrf-name] neighbors [{ip-address}] policy`

**Режим ввода команд:** привилегированный

<b>Параметр</b>	<b>Описание</b>
<b>vrf-name</b>	(Необязательный параметр.) Показывает сообщества в пределах экземпляра VRF.
<b>ip-address</b>	(Необязательный параметр.) Указывает IPv4-адрес соседнего узла, которым ограничивается вывод.

Вывод команды отображает следующую информацию.

<b>Параметр</b>	<b>Описание</b>
<b>Neighbor</b>	Адрес соседнего узла сети.
<b>Policy</b>	Политика BGP для указанного узла.
<b>Template</b>	Если политика наследуется из шаблона узла сети, в этом поле отображается имя шаблона.

### ***show ip bgp neighbors {received-routes | routes | rejected-routes}***

Эта команда отображает список IPv4-маршрутов, полученных от указанного соседнего узла. Список включает в себя либо все маршруты, полученные от соседнего узла, либо полученные

маршруты, которые были пропущены входной политикой, либо маршруты, отклоненные входной политикой. Если указан экземпляр VRF, отображается информация по маршрутам для соседних узлов в указанном экземпляре VRF.

**Формат:** `show ip bgp [vrf vrf-name] neighbors [ip-address {received-routes | routes | rejected-routes}]`

**Режим ввода команд:** привилегированный

<i>Параметр</i>	<i>Описание</i>
<b>vrf-name</b>	(Необязательный параметр.) Показывает маршруты, принадлежащие к сообществам, в пределах VRF.
<b>ip-address</b>	(Необязательный параметр.) IP-адрес соседнего узла.
<b>received-routes</b>	Показывает все маршруты, полученные от этого соседнего узла, независимо от того, прошли ли маршруты входную политику.
<b>routes</b>	Показывает только маршруты, которые были пропущены входной политикой.
<b>rejected-routes</b>	Показывает только маршруты, которые были отклонены входной политикой.

Вывод команды отображает следующую информацию.

<i>Параметр</i>	<i>Описание</i>
<b>Network</b>	Префикс места назначения
<b>Next Hop</b>	BGP NEXT HOP в том виде, как он анонсируется на узел.
<b>Metric</b>	Значение MED, если MED получен от этого узла.
<b>Local Pref</b>	Локальный приоритет, полученный от этого узла.
<b>Path</b>	AS Path, полученные от этого узла
<b>Origin</b>	Значение атрибута Origin, полученное от этого узла

### ***show ip bgp route-reflection***

Эта команда отображает всю глобальную конфигурацию, связанную с отражением IPv4-маршрутов, включая идентификатор кластера, настройку отражения маршрутов между клиентами, а также списки всех соседних узлов, которые настроены в качестве клиентов Route Reflector. Если указан VRF, конфигурация сообществ отображается в пределах указанного экземпляра VRF.

Если клиент Route Reflector настроен с использованием карты исходящих маршрутов, вывод команды предупреждает, что установленные заявления в карте маршрута игнорируются при отражении маршрутов к этому клиенту.

**Формат:** `show ip bgp [vrf vrf-name] route-reflection`

**Режим ввода команд:** привилегированный

<b>Параметр</b>	<b>Описание</b>
<b>Cluster ID</b>	Идентификатор кластера, используемый этим маршрутизатором. Отображается значение, установленное с помощью команды <code>bgp cluster-id</code> . Если идентификатор кластера не настроен, отображается идентификатор локального маршрутизатора с тегом <code>default</code> .
<b>Client-to-client Reflection</b>	Отображает <i>Enabled</i> , если маршрутизатор отражает маршруты, полученные от своих клиентов, к другим клиентам; в противном случае отображается <i>Disabled</i> .
<b>Clients</b>	Список внутренних узлов этого маршрутизатора, которые были настроены как клиенты Route Reflector.
<b>Non-client Internal Peers</b>	Список внутренних узлов сети маршрутизатора, которые не настроены как клиенты Route Reflector. Маршруты из узлов, не являющихся клиентами, отражаются клиентам, и наоборот.

### ***show ip bgp statistics***

Данная команда отображает недавнюю историю процесса принятия решения. Фаза 1 процесса принятия реагирует на сообщение UPDATE, полученное от соседних узлов, определяет, какие новые маршруты должны быть приняты, и удаляет отозванные маршруты из Adj-RIB-In. Фаза 2 определяет наилучший путь для каждого места назначения, обновляет таблицу BGP-маршрутов и общий RIB. Фаза 3 выполняется независимо для каждой исходящей группы обновлений и определяет, какие маршруты должны быть анонсированы на соседние узлы в каждой группе. Каждая запись в таблице показывает статистику для одной фазы процесса принятия решений. В таблице показаны 20 последних повторов процесса принятия решений с наиболее свежей информацией в конце таблицы. Если указан VRF, статистические данные отображаются для сообществ в пределах указанного экземпляра VRF.

**Формат:** `show ip bgp [vrf vrf-name] statistics`

**Режим ввода команд:** привилегированный

Команда отображает следующую информацию.

<b>Параметр</b>	<b>Описание</b>
<b>Delta T</b>	Показывает, насколько давно был запущен процесс принятия решений. Формат — чч:мм:сс, если прошедшее время меньше суток. В противном случае — дд:чч.
<b>Phase</b>	Какой этап процесса принятия решений был запущен.
<b>Upd Grp</b>	Идентификатор исходящей группы обновлений. Применяется только для фазы 3.
<b>GenId</b>	Идентификатор генерации таблицы маршрутизации BGP на момент запуска процесса принятия решений. Идентификатор генерации увеличивается каждый раз, когда запускается фаза 2 процесса принятия решений и когда происходит изменение в статусе агрегированных адресов.
<b>Reason</b>	Событие, которое инициировало процесс принятия решения.



<b>Peer</b>	Фаза 1 процесса принятия решений может быть вызвана для конкретного узла сети, если произошли изменения входной политики узла или узел был перезагружен. Когда фаза 1 выполняется для одного узла, указывается его IP-адрес.
<b>Duration</b>	Продолжительность процесса принятия решений в миллисекундах
<b>Adds</b>	Количество добавленных маршрутов. Для фазы 1 это количество префиксов, которое проходит входную политику и добавляется к Accept-RIB-In. Для фазы 2 это количество маршрутов, добавленных в таблицу маршрутизации BGP. Для фазы 3 это количество префиксов, добавленное в группу анонсирования Adj-RIB-Out.
<b>Mods</b>	Количество измененных маршрутов. Всегда 0 для фазы 1.
<b>Dels</b>	Количество удаленных маршрутов. Всегда 0 для фазы 1.

### **show ip bgp summary**

Эта команда отображает сводную информацию о конфигурации и статусе BGP. Если указан экземпляр VRF, отображаются конфигурация и статус для сообществ внутри экземпляра VRF.

**Формат:** `show ip bgp [vrf vrf-name] summary`

**Режим ввода команд:** привилегированный

Команда отображает следующую информацию.

<b>Параметр</b>	<b>Описание</b>
<b>IPv4 Routing</b>	Включена ли IPv4 маршрутизация глобально. Протокол BGP не поддерживает одноадресный IPv4 AFI/SAFI в отправляемых сообщениях OPEN, если маршрутизация не была включена глобально.
<b>BGP Admin Mode</b>	Включен ли BGP глобально
<b>BGP Router ID</b>	Настроенный идентификатор маршрутизатора
<b>Local AS Number</b>	Номер AS маршрутизатора
<b>Traps</b>	Включены ли BGP-трапы.
<b>Maximum Paths</b>	Максимальное количество ближайших узлов во внешнем маршруте BGP.
<b>Maximum Paths iBGP</b>	Максимальное количество ближайших узлов во внутреннем маршруте протокола BGP.
<b>Default Keep Alive Time</b>	Настроенный интервал KeepAlive, используемый всеми узлами, для которых не был настроен соответствующий индивидуальный интервал.
<b>Default Hold Time</b>	Настроенный интервал Hold, используемый всеми узлами, для которых не был настроен соответствующий индивидуальный интервал.

<b>Number of Network Entries</b>	Количество различных префиксов в местном RIB.
<b>Number of AS Paths</b>	Количество AS Path в местном RIB
<b>Default Metric</b>	Значение MED по умолчанию для перераспределяемых маршрутов.
<b>Default Route Advertise</b>	Настроен ли BGP для анонсирования маршрутов по умолчанию. Соответствует команде default-information originate.
<b>Redistributing Source</b>	Источник маршрутов, который BGP должен перераспределить.
<b>Metric</b>	Метрика, настроенная с помощью команды redistribute.
<b>Match Value</b>	Для маршрутов, перераспределяемых от протокола OSPF, — типы перераспределяемых OSPF-маршрутов.
<b>Distribute List</b>	Имя списка префиксов, используемое для фильтрации перераспределяемых маршрутов, если список настроен командой distribute-list prefix out.
<b>Route Map</b>	Имя карты маршрута, используемое для фильтрации перераспределяемых маршрутов.
<b>Dynamic Neighbors</b>	Показывает текущее количество созданных динамических соседних узлов IPv4 BGP, метку верхнего уровня и ограничение для динамических IPv4 соседних узлов, которые могут быть созданы.
<b>Neighbor</b>	IP-адрес соседнего узла. Соседний узел, который создан с помощью функции BGP dynamic neighbors, будет отмечен звездочкой (*).
<b>ASN</b>	ASN соседнего узла
<b>MsgRcvd</b>	Количество сообщений BGP, полученных от данного соседнего узла
<b>MsgSent</b>	Количество сообщений BGP, отправленных данному соседнему узлу
<b>State</b>	Статус смежности. Может обозначаться как IDLE, CONNECT, ACTIVE, OPEN SENT, OPEN CNFRM, EST
<b>Up/Down Time</b>	Время, в течение которого смежность была в состоянии ESTABLISHED, или, если смежность сброшена, — время, в течение которого смежность была неактивна. В формате дд:чч:мм:сс
<b>Pfx Rcvd</b>	Количество префиксов, полученных от соседнего узла

### ***show ip bgp template***

Используйте эту команду, чтобы просмотреть информацию обо всех настроенных шаблонах узлов сети или об указанном шаблоне BGP.

**Формат:** `show ip bgp template name`

**Режим ввода команд:** привилегированный

<i>Параметр</i>	<i>Описание</i>
<b>Name</b>	Имя BGP-шаблона узла сети
<b>AF</b>	Семейство адресов, к которому применяется команда конфигурации. Это поле остается пустым для параметров сессии, которые применяются ко всем семействам адресов.
<b>Configuration</b>	Команды конфигурации, которые включены в шаблон.

### ***show ip bgp traffic***

Данная команда выводит отчеты глобальных счетчиков переданных и принятых BGP-сообщений наряду с информацией о рабочей очереди BGP. Если указан экземпляр VRF, счетчики отображаются для сообществ в пределах экземпляра VRF.

**Формат:** `show ip bgp [vrf vrf-name] traffic`

**Режим ввода команд:** привилегированный

В первой таблице представлено количество сообщений BGP каждого типа, которые этот маршрутизатор отправил и принял. Следующая таблица содержит информацию о максимальной скорости передачи и приема сообщений UPDATE. Эти скорости измерены за наиболее загруженный интервал продолжительностью в одну секунду.

В таблице статистики очереди представлена информация по рабочим очередям BGP. Для каждой из очередей отображаются следующие значения.

<i>Параметр</i>	<i>Описание</i>
<b>Events</b>	Включает большинство событий таймера и изменений конфигурации.
<b>Keepalive Tx</b>	Включает события таймера, которые отправляют сообщения KEEPALIVE на узел.
<b>Dec Proc</b>	Включает события, которые вызывают запуск процесса принятия решений.
<b>Rx Data</b>	Включает входящие сообщения BGP.
<b>RTO Notifications</b>	Включает изменения оптимального маршрута и уведомления об изменении разрешения ближайших узлов из таблицы маршрутизации.
<b>MIB Queries</b>	Включает ожидающие SNMP-запросы для получения статуса BGP

### ***show ip bgp update-group***

Данная команда сообщает о статусе исходящих групп анонсирования и их членов. Если указан экземпляр VRF, отображается информация о статусе групп анонсирования для сообществ в пределах экземпляра VRF.

**Формат:** `show ip bgp [vrf vrf-name] update-group [group-index | peer-address ]`

**Режим ввода команд:** привилегированный

<b>Параметр</b>	<b>Описание</b>
<b>group-index</b>	(Необязательный параметр.) Если указана, эта опция ограничивает вывод одной группой анонсирования.
<b>peer-address</b>	(Необязательный параметр.) Если указана, эта опция ограничивает вывод группой анонсирования, содержащей узел с данным адресом.

Команда отображает следующую информацию.

<b>Параметр</b>	<b>Описание</b>
<b>Update Group ID</b>	Уникальный идентификатор для исходящей группы анонсирования.
<b>Peer Type</b>	Внутренние или внешние узлы входят в группу анонсирования.
<b>Minimum Advertisement Interval</b>	Минимальное время в секундах между отправляемыми в группу наборами UPDATE-сообщений.
<b>Send Community</b>	Включаются ли BGP-сообщества анонсы маршрута для членов группы.
<b>Remove Private ASNs</b>	Удаляет ли BGP частные ASN из путей, анонсируемых членам этой группы. <ul style="list-style-type: none"> <li>• Replace: протокол BGP заменяет частные ASN на локальные ASN.</li> <li>• Remove: частные ASN удаляются.</li> <li>• В остальных случаях: No.</li> </ul>
<b>Route Reflector Client</b>	Являются ли узлы в этой группе клиентами Route Reflector.
<b>Neighbor AS Path Access List Out</b>	Список контроля доступа AS Path, который используется для фильтрации сообщений UPDATE, отправленных на узлы группы анонсирования
<b>Neighbor Prefix List Out</b>	Имя списка префиксов, используемое для фильтрации префиксов, анонсируемых на узлы группы анонсирования
<b>Members Added</b>	Число узлов, добавленных к группе с момента ее создания
<b>Members Removed</b>	Число узлов, удаленных из группы
<b>Update Version</b>	Сколько раз фаза 3 процесса принятия решений была запущена для этой группы с целью определения маршрутов, которые будут анонсироваться этой группой.
<b>Number of UPDATEs Sent</b>	Число сообщений UPDATE, которые были отправлены в эту группу. Увеличивается на единицу для каждого сообщения UPDATE, независимо от количества членов группы
<b>Time Since Last UPDATE</b>	Время с момента, когда сообщение UPDATE было отправлено в группу в последний раз. Если

	сообщения UPDATE не отправлялись в группу, статус указывается как NEVER.
<b>Current Prefixes</b>	Количество префиксов, в настоящее время анонсируемое группе
<b>Current Paths</b>	Количество путей, в настоящее время анонсируемое группе
<b>Prefixes Advertised</b>	Общее количество префиксов, анонсированных группе с момента ее создания
<b>Prefixes Withdrawn</b>	Общее количество префиксов, включенных в поле Withdrawn Routes сообщений UPDATE, отправленных в группу с момента ее создания
<b>UPDATE Send Failures</b>	Количество сообщений UPDATE, которое не было доставлено всем членам группы
<b>Current Members</b>	IPv4-адрес всех текущих членов группы.

Таблица истории отправленных сообщений UPDATE показывает статистику по последним десяти процессам отправки сообщений для группы анонсирования. Элементы в таблице истории отображают следующую информацию.

<i>Параметр</i>	<i>Описание</i>
<b>Version</b>	Версия сообщения UPDATE.
<b>Delta T</b>	Время, прошедшее с момента начала процесса отправки сообщения, чч::мм::сс.
<b>Duration</b>	Длительность процесса отправки сообщений в миллисекундах.
<b>UPD Built</b>	Количество созданных сообщений UPDATE.
<b>UPD Sent</b>	Количество сообщений UPDATE успешно переданных членам группы. Обычно копия каждого сообщения UPDATE направляется каждому члену группы.
<b>Paths Sent</b>	Количество анонсируемых путей.
<b>Pfxs Adv</b>	Количество анонсируемых префиксов
<b>Pfxs Wd</b>	Количество отозванных префиксов

### ***show ip bgp vpnv4***

Команда отображает информацию об адресах VPNv4 в таблице BGP. Если указано необязательное значение VRF, отображается адресная информация для сообществ внутри инстанса VRF.

**Формат:** `show ip bgp vpnv4 {all | rd route-distinguisher | vrf vrf-name} [ip-prefix/length]`

**Режим ввода команд:** привилегированный

<i>Параметр</i>	<i>Описание</i>
<b>all</b>	Отображает полную таблицу VPNv4.

<b>rd route-distinguisher</b>	Отображает NLRI-префиксы, которые соответствуют указанному Route Distinguisher.
<b>vrf vrf-name</b>	Отображает NLRI-префиксы, связанные с сообществами в рамках указанного экземпляра VRF.
<b>ip-prefix/length</b>	IP-адрес (в десятичном формате с точками) и длина маски (от 0 до 32). Знак косой черты (/) должен быть включен.

Команда выводит информацию в зависимости от выбранных параметров.

<i>Параметр</i>	<i>Описание</i>
<b>BGP table version</b>	Каждый раз, когда фаза 2 процесса принятия решений BGP работает над выбором новых маршрутов BGP, это значение увеличивается.
<b>Status codes</b>	Одно из следующих значений. <ul style="list-style-type: none"> <li>• s: маршрут объединен в агрегированный адрес, настроенный с опцией summary-only.</li> <li>• *: BGP никогда не отображает неверные маршруты; так что этот код отображается всегда (для поддержания соответствия с промышленным стандартом).</li> <li>• &gt;: указывает, что BGP выбрал этот путь как оптимальный путь к месту назначения.</li> <li>• i: маршрут изучен от внутреннего узла.</li> </ul>
<b>Route Distinguisher</b>	RD, связанный с VRF.
<b>Network</b>	Префикс места назначения.
<b>Next Hop</b>	Ближайший BGP-узел в маршруте.
<b>Metric</b>	Метрика BGP.
<b>LocPrf</b>	Локальный приоритет.
<b>Path</b>	AS Path для маршрута.
<b>Prefix/Prefix Length</b>	Префикс места назначения и длина префикса.
<b>Generation ID</b>	Версия таблицы BGP-маршрутизации на момент последнего изменения маршрута.
<b>Forwarding</b>	Используется ли BGP-маршрут для переадресации.
<b>Advertised To Update Groups</b>	Исходящие группы, в которых этот маршрут анонсируется.
<b>Local Preference</b>	Локальный приоритет, либо полученный от узла, либо установленный в соответствии с локальной политикой.
<b>AS Path</b>	AS Path. Эта форма команды отображает AS Path такой длины, какая разрешена параметром <code>bgp maxas-limit</code> .
<b>Origin</b>	Значение атрибута ORIGIN.

<b>Metric</b>	Значение атрибута MED, если он включен.
<b>Type</b>	Получен ли путь от внутреннего или внешнего узла.
<b>IGP Cost</b>	Внутренняя стоимость пограничного шлюза (например, стоимость OSPF) к ближайшему BGP-узлу.
<b>Peer (Peer ID)</b>	IP-адрес узла, который отправил этот маршрут, и его идентификатор маршрутизатора.
<b>BGP Next Hop</b>	Атрибут BGP NEXT HOP.
<b>Atomic Aggregate</b>	Показывает, связан ли с путем атрибут ATOMIC AGGREGATE.
<b>Aggregator</b>	Номер AS и идентификатор маршрутизатора инициатора объединения маршрута.
<b>Communities</b>	BGP-сообщества, связанные с путем.
<b>Originator</b>	Если атрибут ORIGINATOR связан с путем, отображается значение этого атрибута.
<b>Cluster List</b>	Если атрибут CLUSTER_LIST связан с путем, отображается последовательность идентификаторов кластера в списке кластеров.
<b>Extended Community</b>	Атрибут route-target, связанный с указанным маршрутом.

### **show bgp ipv6**

Используйте команду `show bgp ipv6` в привилегированном режиме для отображения IPv6-маршрутов в таблице маршрутизации BGP.

**Формат:** `show bgp ipv6 [ipv6-prefix|prefix-length [longer-prefixes | shorter-prefixes [length]] | filter-list as-path-list]`

**Режим ввода команд:** привилегированный

<b>Параметр</b>	<b>Описание</b>
<b>ipv6-prefix prefix-length</b>	(Необязательный параметр.) Ограничивает вывод указанным префиксом.
<b>longer-prefixes</b>	(Необязательный параметр.) Отображает указанный префикс и более длинные префиксы в том же диапазоне.
<b>shorter-prefixes</b>	(Необязательный параметр.) Используется совместно с опцией <b>ipv6-prefix prefix-length</b> , чтобы отобразить маршруты, длина префикса которых короче <b>prefix-length</b> и, необязательно, больше указанной длины. Этот параметр не может использоваться, если задана опция <b>longer prefixes</b> .
<b>as-path-list</b>	(Необязательный параметр.) Фильтрует вывод команды, отображая только маршруты, которые соответствуют указанному списку AS Path. Этот параметр не может использоваться, если задана опция <b>ipv6-prefix prefix-length</b> .

Вывод команды отображает следующую информацию.

<i>Параметр</i>	<i>Описание</i>
<b>BGP table version</b>	Каждый раз, когда фаза 2 процесса принятия решений BGP работает над выбором новых маршрутов BGP, это значение увеличивается.
<b>Status codes</b>	<ul style="list-style-type: none"> <li>• s: маршрут объединен в агрегированный адрес, настроенный с опцией summary-only</li> <li>• *: BGP никогда не отображает неверные маршруты; так что этот код отображается всегда</li> <li>• &gt;: указывает, что BGP выбрал этот путь как оптимальный путь к месту назначения</li> <li>• i: маршрут изучен от внутреннего узла</li> </ul>
<b>Network</b>	IPv6-префикс места назначения
<b>Next Hop</b>	Ближайший BGP-узел IPv6-маршрута
<b>Metric</b>	Атрибут Multi Exit Discriminator
<b>LocPrf</b>	Локальный приоритет
<b>Path</b>	AS Path
<b>Origin</b>	Значение атрибута Origin

### ***show bgp ipv6 aggregate-address***

Эта команда выводит список настроенных агрегированных адресов IPv6 и показывает, является ли каждый из них активным.

**Формат:** `show bgp ipv6 aggregate-address`

**Режим ввода команд:** привилегированный

<i>Параметр</i>	<i>Описание</i>
<b>Prefix/Len</b>	Префикс места назначения и длина префикса.
<b>AS Set</b>	Показывает, анонсируется ли с агрегированным адресом пустой AS Path (N) или AS SET анонсируется с набором номеров AS, относящихся ко всем путям в агрегированном адресе (Y).
<b>Summary Only</b>	Показывает, подавляются (Y) или анонсируются (N) отдельные сети.
<b>Active</b>	Показывает, анонсируется ли в настоящее время данный агрегированный адрес.

### ***show bgp ipv6 community***

Эта команда отображает маршруты IPv6, принадлежащие к данному набору сообществ. Описание формата вывода и полей аналогичны тем, что приведены в команде `show bgp ipv6`.

**Формат:** `show bgp ipv6 community communities [exact-match]`

**Режим ввода команд:** привилегированный



Параметр	Описание
communities	Строка из нуля или более значений сообществ, которые могут быть в любом формате и могут содержать хорошо известные ключевые слова сообществ no-advertise и no-export. Вывод команды отображает маршруты, которые принадлежат ко всем сообществам, указанным в команде.
exact-match	(Необязательный параметр.) Отображаются только те маршруты, которые являются членами только тех сообществ, которые были указаны в команде.

### **show bgp ipv6 community-list**

Данная команда отображает IPv6-маршруты, которые соответствуют списку сообществ. Описание формата вывода и полей аналогичны тем, что приведены в команде show bgp ipv6.

**Формат:** show bgp ipv6 community-list *name* [exact-match]

**Режим ввода команд:** привилегированный

Параметр	Описание
name	Имя стандартного списка сообществ.
exact-match	(Необязательный параметр.) Отображаются только те маршруты, которые являются членами только тех сообществ, которые были указаны в списке сообществ.

### **show bgp ipv6 listen range**

Данная команда отображает информацию о диапазонах прослушивания BGP.

**Формат:** show bgp ipv6 listen range [*network/Length*]

**Режим ввода команд:** привилегированный

Параметр	Описание
listen range	Отображает все диапазоны подсетей прослушивания, которые были созданы.
network / length	Отображает информацию об указанных диапазонах прослушивания.

### **show bgp ipv6 neighbors advertised-routes**

Эта команда отображает маршруты IPv6, анонсируемые на указанный соседний узел. Описание формата вывода и полей аналогичны тем, что приведены в IPv4-команде show ip bgp neighbors advertised-routes, за исключением того, что поля Network и Next Hop показывают адреса IPv6 и команда отображает IPv4-маршруты, анонсируемые на указанный соседний узел с RFC 5549.

**Формат:** show bgp ipv6 neighbors {*ipv4-address* | *ipv6-address* [*interface interface-name*]} [autodetect interface *interface-name*] advertised-routes

**Режим ввода команд:** привилегированный

## ***show bgp ipv6 neighbors***

Эта команда отображает список маршрутов IPv6, полученных от указанного соседнего узла. Список включает в себя либо все маршруты, полученные от соседнего узла, либо полученные маршруты, которые были пропущены входной политикой, либо маршруты, отклоненные входной политикой. Описание формата вывода и полей аналогичны тем, что приведены в IPv4-команде `show ip bgp neighbors`, за исключением следующих моментов.

- Перечисляются IPv6-маршруты
- Если адрес узла (Remote Address) является адресом link local, следующая строка вывода указывает область действия адреса.
- Параметр IPv4 Outbound Group Update не выводится.
- Не отображается статистика префикса IPv4.
- Поддержка RFC 5549 отображается только в том случае, если путь к соседнему BGP-узлу проходит через сеть IPv6.
- Если узел настроен как autodetect, Remote Address показывает обнаруженный IPv6-адрес или значение Unresolved в случае, если узел не обнаружен функцией autodetect.
- Статус Autodetect отображается только в том случае, когда узел был настроен как autodetect. В поле отображается один из следующих статусов: Peer is detected, Peer is not detected или Multiple peers are detected.

**Формат:** `show bgp ipv6 neighbors [ipv4-address | ipv6-address [interface interface-name] | autodetect interface interface-name {received-routes | routes | rejected-routes}`

**Режим ввода команд:** привилегированный

## ***show bgp ipv6 neighbors policy***

Используйте эту команду, чтобы отобразить входящие и исходящие политики IPv6, настроенные для указанного узла. В выводе обозначены политики, настроенные на самом узле, и политики, которые он наследует из шаблона узла сети. Указание IPv4- или IPv6-адреса ограничивает вывод одним соседним узлом. Если адрес соседнего узла является адресом link-local, интерфейс также требуется указать.

**Формат:** `show bgp ipv6 neighbors [ipv4-address | ipv6-address [interface interface-name] | autodetect interface interface-name policy`

**Режим ввода команд:** привилегированный

## ***show bgp ipv6 route-reflection***

Эта команда отображает конфигурацию локального маршрутизатора в качестве Route Reflector.

**Формат:** `show bgp ipv6 route-reflection`

**Режим ввода команд:** привилегированный

<i>Параметр</i>	<i>Описание</i>
-----------------	-----------------

<b>Cluster ID</b>	Идентификатор кластера, используемый этим маршрутизатором. Отображается значение, установленное с помощью команды <code>bgp cluster-id</code> . Если идентификатор кластера не настроен, отображается идентификатор локального маршрутизатора с тегом <code>default</code> .
<b>Client-to-client Reflection</b>	Отображает <code>Enabled</code> , если маршрутизатор отражает маршруты, полученные от своих клиентов, к другим клиентам; в противном случае отображается <code>Disabled</code> .
<b>Clients</b>	Список внутренних узлов этого маршрутизатора, которые были настроены как клиенты Route Reflector.
<b>Non-client Internal Peers</b>	Список внутренних узлов сети маршрутизатора, которые не настроены как клиенты Route Reflector. Маршруты из узлов, не являющихся клиентами, отражаются клиентам, и наоборот.

### ***show bgp ipv6 statistics***

Эта команда отображает статистику для процесса принятия решений IPv6. Описание вывода и полей аналогичны тем, что приведены в команде `show ip bgp statistics`.

**Формат:** `show bgp ipv6 statistics`

**Режим ввода команд:** привилегированный

### ***show bgp ipv6 summary***

Эта команда отображает сводную информацию об IPv6-конфигурации и статусе BGP. Описания вывода и поля аналогичны тем, что приведены в команде `show ip bgp summary`, за исключением, что в `Number of Network Entries`, `Number of AS Paths` и `Pfx Rcvd` учитывается маршрутная информация IPv6, а не IPv4. Команда выводит список всех смежностей, которые были настроены для выполнения IPv6-маршрутов.

**Формат:** `show bgp ipv6 summary`

**Режим ввода команд:** привилегированный

### ***show bgp ipv6 update-group***

Данная команда сообщает статус исходящих групп анонсирования и их номера. Описание вывода и полей аналогичны тем, что приведены в команде `show ip bgp template`.

**Формат:** `show bgp ipv6 update-group [group-index | ipv4-address | ipv6-address [interface interface-name] autodetect interface interface-name]`

**Режим ввода команд:** привилегированный

<b>Параметр</b>	<b>Описание</b>
<b>group-index</b>	(Необязательный параметр.) Если указана, эта опция ограничивает вывод одной группой анонсирования.
<b>ipv4-address</b>	IPv4-адрес узла, включенный для обмена IPv6-префиксами. Если указана, эта опция ограничивает вывод группой анонсирования, содержащей узел с

	данным адресом.
<b>ipv6-address</b>	IPv6-адрес соседнего узла. Если адрес узла является адресом link local, то интерфейс, который определяет область адреса, также должен быть указан. Если указан адрес узла, эта опция ограничивает вывод группой анонсирования, содержащей узел с данным адресом.
<b>autodetect interface</b>	Интерфейс маршрутизации, на котором IPv6-адрес link-local соседнего узла определяется автоматически.

## 11.1 Команды настройки политики маршрутизации

Внешние протоколы маршрутизации, такие как BGP, используют стандартную отраслевую политику маршрутизации для фильтрации и изменения маршрутной информации, которой они обмениваются с соседними узлами. Протокол BGP использует следующие элементы политик маршрутизации:

- списки контроля доступа AS Path;
- списки BGP-сообществ.

Используйте команды настройки политики маршрутизации, чтобы настроить следующие варианты политик:

- совпадение по AS Path;
- изменение AS Path;
- установка локального приоритета;
- установка метрики маршрута;
- установка ближайшего IPv6-узла;
- установка или совпадение BGP-сообщества.

### ***ip as-path access-list***

Чтобы создать список контроля доступа (ACL) AS Path, используйте команду `ip as-path access-list` в режиме глобальной конфигурации. ACL AS Path фильтрует маршруты BGP на основании их атрибута AS Path. Атрибут AS Path представляет собой список номеров автономных систем, затронутых по пути к месту назначения. ACL AS Path — это упорядоченная последовательность заявлений. Каждое заявление содержит регулярное выражение и связанное с ним действие `permit` или `deny`. Если регулярное действие соответствует атрибуту AS Path маршрута, выраженному как строка символов ASCII, путь признается соответствующим и к нему применяется указанное действие. В конце списка AS Path подразумевается заявление `deny`. Если путь не соответствует ни одному из заявлений в ACL AS Path, к нему применяется действие `deny`, т. е. путь отклоняется.

После создания ACL AS Path из него нельзя удалить отдельное заявление. Если требуется удалить отдельное заявление, необходимо удалить ACL AS Path и создать его заново без указанного заявления.

Заявления применяются в том порядке, в котором созданы. Новые заявления добавляются в конец списка. К маршруту применяется заявление с первым совпадающим регулярным выражением.

Маршрутизатор позволяет настроить до 128 списков контроля доступа AS Path; в каждом списке может содержаться до 64 заявлений.

Чтобы ввести в регулярное выражение знак вопроса, требуется сначала ввести CTRL-V, чтобы CLI не интерпретировал знак вопроса как запрос помощи.

Таблица 11.1 показывает синтаксис регулярных выражений ACL AS Path.

**Значение по умолчанию:** ACL AS Path не настроен. Для параметров этой команды нет значений по умолчанию.

**Формат:** `ip as-path access-list as-path-list-number {permit|deny} regex`

**Режим ввода команд:** глобальная конфигурация

Параметр	Описание
<b>as-path-list-number</b>	Число от 1 до 500, уникальный идентификатор списка. ACL AS Path с совпадающими значениями as-path-list-number считаются частями одного списка.
<b>permit</b>	(Необязательный параметр.) Разрешает маршруты, в которых атрибуты AS Path соответствуют регулярному выражению.
<b>deny</b>	(Необязательный параметр.) Запрещает маршруты, в которых атрибуты AS Path соответствуют регулярному выражению.
<b>regex</b>	Регулярное выражение, которое используется для сопоставления с атрибутом AS Path, причем AS Path рассматривается как строка ASCII-символов.

**Таблица 11.1.- Синтаксис регулярных выражений ACL AS Path**

Специальный символ	Символ	Действие
звездочка	*	Соответствует нулю или нескольким последовательным символам.
кв. скобки	[]	Обозначают диапазон односимвольных шаблонов.
знак вставки	^	Отмечает начало строки ввода.
знак доллара	\$	Отмечает конец строки ввода.
дефис	-	Разделяет конечные точки диапазона.
точка	.	Соответствует любому одному символу, включая пробелы.
плюс	+	Соответствует одному или нескольким последовательным символам.
вопросительный знак	?	Соответствует нулевому или однократному вхождению шаблона.
нижнее подчеркивание	_	Соответствует запятой (,), левой фигурной сколке ({}), правой фигурной сколке (}), левой или правой сколке, началу строки ввода, концу строки

### *no ip as-path access-list*

Для удаления ACL AS Path используйте по-форму команды.

**Формат:** `no ip as-path access-list as-path-list-number`

**Режим ввода команд:** глобальная конфигурация

### *ip bgp-community new-format*

Для отображения стандартных сообществ BGP в формате AA:NN используйте данную команду в режиме глобальной конфигурации. RFC 1997 указывает, что первые два байта номера сообщества считаются номером автономной системы. Новый формат отображает номер сообщества как ASN с последующим 16-битным специальным номером для AS.

**Значение по умолчанию:** стандартные сообщества отображаются в формате AA:NN.

**Формат:** `ip bgp-community new-format`

**Режим ввода команд:** глобальная конфигурация

### *no ip bgp-community new-format*

Для отображения стандартных сообществ протокола BGP в виде 32-битных целых чисел используйте **no**-форму команды.

**Формат:** `no ip bgp-community new-format`

**Режим ввода команд:** глобальная конфигурация

### *ip community-list*

Чтобы создать или настроить список сообществ BGP, используйте команду `ip community-list` в режиме глобальной конфигурации. Заявление списка сообществ без указанных значений сообществ считается совпадением для всех маршрутов, независимо от их членства в сообществе. К примеру, заявление `ip community-list bullseye permit` считается заявлением `permit all`.

Номер сообщества может быть введен в любом формате, в виде 32-битного целого числа или пары 16-битных целых чисел, разделенных двоеточием, независимо от того, является ли команда `ip bgp-community new-format` активной. В одной команде можно указать до 16 сообществ, в том числе хорошо известных. С заданным именем списка сообщества можно настроить до 32 заявлений. Всего можно настроить до 128 уникальных имен сообществ.

**Значение по умолчанию:** списки сообществ не настроены.

**Формат:** `ip community-list standard list-name {permit | deny} [community-number] [no-advertise] [no-export]`

**Режим ввода команд:** глобальная конфигурация

<i>Параметр</i>	<i>Описание</i>
<code>standard list-name</code>	Определяет имя стандартного списка сообществ. Имя может содержать до 32 символов.
<code>permit</code>	Указывает, что совпадающие маршруты разрешены.

<b>deny</b>	Указывает, что совпадающие маршруты запрещены.
<b>community-number</b>	До 16 номеров сообщества в формате 32-битных целых чисел или в формате AA:NN, где AA — это 16-битный номер автономной системы, а NN представляет собой 16-битное целое число. Диапазон составляет от 1 до 4 294 967 295 (любое 32-битное целое число, отличное от 0). Сообщества разделяются пробелами.
<b>no-advertise</b>	Хорошо известное стандартное сообщество, NO_ADVERTISE (0xFFFFFFFF02).
<b>no-export</b>	Хорошо известное стандартное сообщество, NO_EXPORT, (0xFFFFFFFF01).

### *no ip community-list*

Чтобы удалить список сообществ, используйте **no**-форму команды.

**Формат:** `no ip community-list standard list-name`

**Режим ввода команд:** глобальная конфигурация

### *show ip as-path-access-list*

Данная команда отображает содержимое списков контроля доступа AS Path.

**Формат:** `show ip as-path-access-list [as-path-list-number]`

**Режим ввода команд:** привилегированный

<i>Параметр</i>	<i>Описание</i>
<b>as-path-list-number</b>	(Необязательный параметр.) Если данный параметр указан, вывод ограничивается единственным указанным списком AS Path. Значение <i>number</i> — целое число от 1 до 500.

### *show ip community-list*

Эта команда отображает списки сообществ. Формат вывода значений сообщества диктуется командой *ip bgp community new-format*.

**Формат:** `show ip community-list [community-list-name]`

**Режим ввода команд:** привилегированный

<i>Параметр</i>	<i>Описание</i>
<b>community-list-name</b>	(Необязательный параметр.) Стандартное имя списка сообщества. Эта опция ограничивает вывод одним списком.

### *clear ip community-list*

Эта команда очищает списки сообществ.

**Формат:** `clear ip community-list [community-list-name]`

Режим ввода команд:           привилегированный

<i>Параметр</i>	<i>Описание</i>
<code>community-list-name</code>	(Необязательный параметр.) Имя списка сообщества.



## 12 КОМАНДЫ УПРАВЛЕНИЯ ПРОТОКОЛОМ IPV6

В этом разделе описываются команды управления протоколом IPv6, доступные в CLI .



Команды в этом разделе делятся на три функциональные группы:

- Команды просмотра оперативного состояния устройства, которые отображают настройки коммутатора, статистику и другую информацию.
- Команды настройки, которые задают характеристики и настройки коммутатора. Для каждой команды настройки существует команда просмотра оперативного состояния устройства, отображающая текущие параметры конфигурации.
- Команды очистки, которые возвращают отдельные параметры или все настройки к заводским.

### 12.1 Команды настройки управления через протокол IPv6

Коммутатор обеспечивает перечисленные ниже возможности IPv6.

- Статическую привязку IPv6-адресов и пограничных шлюзов к сервисным/сетевым портам.
- Возможность проверки IPv6-адреса link-local через сервисный/сетевой порт с использованием команды ping.
- Возможность отправлять SNMP-трапы и запросы через сервисный/сетевой порт с использованием команд управления протоколом IPv6.
- Пользователь может управлять устройством через сетевой порт (в дополнение к управлению через интерфейс маршрутизации или сервисный порт).

#### *serviceport ipv6 enable*

Используйте эту команду, чтобы включить использование протокола IPv6 на сервисном порте. По умолчанию использование IPv6 на сервисном порте включено.

**Значение по умолчанию:** включено  
**Формат:** serviceport ipv6 enable  
**Режим ввода команд:** привилегированный

#### *no serviceport ipv6 enable*

Эта команда выключает использование IPv6-протокола на сервисном порте.

**Формат:** no serviceport ipv6 enable  
**Режим ввода команд:** привилегированный

#### *network ipv6 enable*

Используйте эту команду, чтобы включить использование протокола IPv6 на сетевом порте. По умолчанию использование IPv6 на сетевом порте включено.

**Значение по умолчанию:** включено  
**Формат:** network ipv6 enable  
**Режим ввода команд:** привилегированный

*no network ipv6 enable*

Эта команда выключает использование IPv6-протокола на сетевом порте.

**Формат:** no network ipv6 enable  
**Режим ввода команд:** привилегированный

### **serviceport ipv6 address**

Используйте опции данной команды, чтобы вручную настроить глобальный IPv6-адрес, включить/выключить автоматическую настройку глобального адреса без сохранения состояния и включить/выключить информацию DHCPv6-клиента на сервисном порте.



**На сервисном порте можно настроить несколько IPv6-префиксов.**

**Формат:** serviceport ipv6 address {address/prefix-length [eui64]|autoconfig|dhcp}  
**Режим ввода команд:** привилегированный

<i>Параметр</i>	<i>Описание</i>
<b>address</b>	IPv6-префикс в формате глобального IPv6-адреса.
<b>prefix-length</b>	Значение длины IPv6-префикса.
<b>eui64</b>	Формулировка IPv6-адреса в формате eui64.
<b>autoconfig</b>	Конфигурация автоматической настройки глобальных адресов без сохранения состояния.
<b>dhcp</b>	Настройка протокола DHCPv6-клиента.

*no serviceport ipv6 address*

Команда *no serviceport ipv6 address* удаляет все настроенные IPv6-префиксы на интерфейсе сервисного порта.

Используйте команду с опцией *address*, чтобы удалить настроенный вручную глобальный IPv6-адрес на интерфейсе сервисного порта.

Используйте команду с опцией *autoconfig* для выключения на сервисном порте автоматической настройки глобальных адресов без сохранения состояния.

Используйте команду с опцией *dhcp*, чтобы выключить на сервисном порте протокол DHCPv6-клиента.

**Формат:** no serviceport ipv6 address {address/prefix-length [eui64] | autoconfig | dhcp}  
**Режим ввода команд:** привилегированный

### ***serviceport ipv6 gateway***

Команда настраивает информацию IPv6-шлюза (т. е. значение маршрутизатора по умолчанию) для сервисного порта.



**Для сервисного порта можно настроить только один IPv6-адрес шлюза. Можно использовать сочетание явным образом настроенных IPv6-префиксов и шлюзов с теми, что устанавливаются путем автоматической настройки на подключенном IPv6-маршрутизаторе, на соответствующем интерфейсе сервисного порта.**

**Формат:** `serviceport ipv6 gateway gateway-address`

**Режим ввода команд:** привилегированный

<i>Параметр</i>	<i>Описание</i>
<code>gateway-address</code>	Адрес шлюза в формате глобального IPv6-адреса или адреса link-local.

### ***no serviceport ipv6 gateway***

Используйте эту команду для удаления IPv6-шлюзов на интерфейсе сервисного порта.

**Формат:** `no serviceport ipv6 gateway`

**Режим ввода команд:** привилегированный

### ***serviceport ipv6 neighbor***

Данная команда позволяет вручную добавить соседние узлы IPv6 в таблицу IPv6-соседей сервисного порта. Если соседний узел IPv6 уже присутствует в таблице, соответствующая запись автоматически преобразуется в статическую. Статические записи не меняются в процессе обнаружения соседних узлов. Тем не менее они наравне с остальными записями используются для IPv6-переадресации. Статические записи о соседних IPv6-узлах применяются на уровне стека ядра и аппаратного обеспечения, если соответствующий интерфейс оперативно активен.

**Формат:** `serviceport ipv6 neighbor ipv6-address macaddr`

**Режим ввода команд:** привилегированный

<i>Параметр</i>	<i>Описание</i>
<code>ipv6-address</code>	IPv6-адрес соседнего узла или интерфейса.
<code>macaddr</code>	MAC-адрес соседнего узла или интерфейса.

### ***no serviceport ipv6 neighbor***

Используйте эту команду, чтобы удалить соседние узлы IPv6 из таблицы IPv6-соседей сервисного порта.

**Формат:** `no serviceport ipv6 neighbor ipv6-address macaddr`

**Режим ввода команд:** привилегированный

## **network ipv6 address**

Используйте опции данной команды, чтобы вручную настроить глобальный IPv6-адрес, включить/выключить автоматическую настройку глобального адреса без сохранения состояния и включить/выключить информацию DHCPv6-клиента на сетевом порте. На сетевом порте можно настроить несколько IPv6-адресов.

**Формат:** `network ipv6 address {address/prefix-length [eui64] | autoconfig | dhcp}`

**Режим ввода команд:** привилегированный

<i>Параметр</i>	<i>Описание</i>
<b>address</b>	IPv6-префикс в формате глобального IPv6-адреса.
<b>prefix-length</b>	Значение длины IPv6-префикса.
<b>eui64</b>	Формулировка IPv6-адреса в формате eui64.
<b>autoconfig</b>	Конфигурация автоматической настройки глобальных адресов без сохранения состояния.
<b>dhcp</b>	Настройка протокола DHCPv6-клиента.

## **no network ipv6 address**

Команда *no network ipv6 address* удаляет все настроенные IPv6-префиксы.

Используйте команду с опцией *address*, чтобы удалить настроенный вручную глобальный IPv6-адрес на интерфейсе сетевого порта.

Используйте команду с опцией *autoconfig* для выключения на сетевом порте автоматической настройки глобальных адресов без сохранения состояния.

Используйте эту команду с опцией *dhcp*, чтобы выключить на сетевом порте протокол DHCPv6-клиента.

**Формат:** `no network ipv6 address {address/prefix-length [eui64] | autoconfig | dhcp}`

**Режим ввода команд:** привилегированный

## **network ipv6 gateway**

Данная команда настраивает информацию IPv6-шлюза (т. е. значение маршрутизатора по умолчанию) для сетевого порта.

**Формат:** `network ipv6 gateway gateway-address`

**Режим ввода команд:** привилегированный

<i>Параметр</i>	<i>Описание</i>
<b>gateway-address</b>	Адрес шлюза в формате глобального IPv6-адреса или адреса link-local.

### *no network ipv6 gateway*

Используйте эту команду для удаления IPv6-шлюзов на интерфейсе сетевого порта.

**Формат:** `no network ipv6 gateway`

**Режим ввода команд:** привилегированный

### *network ipv6 neighbor*

Данная команда позволяет вручную добавить соседние узлы IPv6 в таблицу IPv6-соседей сетевого порта. Если соседний узел IPv6 уже присутствует в таблице, соответствующая запись автоматически преобразуется в статическую. Статические записи не меняются в процессе обнаружения соседних узлов. Тем не менее они наравне с остальными записями используются для IPv6-переадресации. Статические записи о соседних IPv6-узлах применяются на уровне стека ядра и аппаратного обеспечения, если соответствующий интерфейс оперативно активен.

**Формат:** `network ipv6 neighbor ipv6-address macaddr`

**Режим ввода команд:** привилегированный

<i>Параметр</i>	<i>Описание</i>
<code>ipv6-address</code>	IPv6-адрес соседнего узла или интерфейса.
<code>macaddr</code>	MAC-адрес соседнего узла или интерфейса.

### *no network ipv6 neighbor*

Используйте эту команду, чтобы удалить соседние узлы IPv6 из таблицы IPv6-соседей.

**Формат:** `no network ipv6 neighbor ipv6-address macaddr`

**Режим ввода команд:** привилегированный

### *show network ipv6 neighbors*

Эта команда отображает состояние записей о соседних IPv6-узлах, которые сохранены в соответствующей таблице на сетевом порте. Состояние обновляется, чтобы отобразить тип записи.

**Значение по умолчанию:** отсутствует

**Формат:** `show network ipv6 neighbors`

**Режим ввода команд:** привилегированный

<i>Параметр</i>	<i>Описание</i>
<code>IPv6 Address</code>	IPv6-адрес соседнего узла.
<code>MAC Address</code>	MAC-адрес соседнего узла.
<code>isRtr</code>	Показывает, является ли соседний узел маршрутизатором. При значении TRUE соседний узел является маршрутизатором; при значении FALSE — не является.
<code>Neighbor State</code>	Состояние записи о соседнем узле в таблице. Возможные значения: Incomplete, Reachable, Stale.

	Delay, Probe и Unknown.
<b>Age</b>	Время в секундах, прошедшее с момента добавления записи в таблицу.
<b>Type</b>	Тип записи о соседнем узле. Имеет значение Static, если запись настроена вручную, и Dynamic, если запись добавлена динамически.

### ***show serviceport ipv6 neighbors***

Данная команда отображает состояние записей о соседних IPv6-узлах, которые сохранены в соответствующей таблице на сервисном порте. Состояние обновляется, чтобы отобразить тип записи.

**Значение по умолчанию:** отсутствует  
**Формат:** `show serviceport ipv6 neighbors`  
**Режим ввода команд:** привилегированный

<b>Параметр</b>	<b>Описание</b>
<b>IPv6 Address</b>	IPv6-адрес соседнего узла.
<b>MAC Address</b>	MAC-адрес соседнего узла.
<b>isRtr</b>	Показывает, является ли соседний узел маршрутизатором. При значении TRUE соседний узел является маршрутизатором; при значении FALSE — не является.
<b>Neighbor State</b>	Состояние записи о соседнем узле в таблице. Возможные значения: Incomplete, Reachable, Stale, Delay, Probe и Unknown.
<b>Age</b>	Время в секундах, прошедшее с момента добавления записи в таблицу.
<b>Type</b>	Тип записи о соседнем узле. Имеет значение Static, если запись настроена вручную, и Dynamic, если запись добавлена динамически.

### ***ping ipv6***

Используйте эту команду, чтобы определить, есть ли другой компьютер в сети. Команда ping при вызове в CLI обеспечивает синхронный ответ. Чтобы использовать команду, требуется настроить на коммутаторе стандартное (in-band) сетевое подключение. Коммутатор можно вызывать командой ping с любого IP-адреса рабочей станции, подключенной к коммутатору посредством виртуальной сети по умолчанию (VLAN 1), если между коммутатором и рабочей станцией есть физически доступный маршрут. Интерфейс терминала отправляет к целевой станции три сигнала ping. Используйте параметр *ipv6-address/hostname*, чтобы вызывать интерфейс с использованием его глобального IPv6-адреса. Используйте необязательное ключевое слово *size*, чтобы указать размер пакета ping. Используйте опцию *outgoing-interface*, чтобы указать исходящий интерфейс для многоадресного IP/IPv6-вызова ping.

При использовании глобального IPv6-адреса *ipv6-global-address/hostname* можно применять команды ping или traceroute для сетевых/служебных портов. Любая привязка глобальных IPv6-

адресов или шлюзов для этих интерфейсов приводит к установке в рамках IP-стека IPv6-маршрутов таким образом, что запросы *ping* или *traceroute* переадресуются с сервисного/сетевого порта должным образом. При обращении к IPv6-адресу *link-local* необходимо также указать интерфейс сервисного или сетевого порта с помощью параметра *serviceport* или *network*.

**Значение по умолчанию:** счетчик по умолчанию: 1;  
интервал по умолчанию: 3 секунды;  
размер по умолчанию: 0 байт.

**Формат:** `ping ipv6 {ipv6-global-address|hostname | {interface {unit/slot/port | vlan vlan-id| serviceport | loopback | tunnel | network} link-local-address} [size datagram-size][outgoing-interface {unit/slot/port | vlan 1-4093 | serviceport | network}]}`

**Режим ввода команд:** привилегированный  
пользовательский

### *ping ipv6 interface*

Используйте эту команду, чтобы определить, есть ли другой компьютер в сети. Чтобы использовать команду, требуется настроить на коммутаторе стандартное (in-band) сетевое подключение. Коммутатор можно вызывать командой *ping* с любого IP-адреса рабочей станции, подключенной к коммутатору посредством виртуальной сети по умолчанию (VLAN 1), если между коммутатором и рабочей станцией есть физически доступный маршрут. Интерфейс терминала отправляет к целевой станции три сигнала *ping*. Используйте ключевое слово *interface*, чтобы вызывать интерфейс с использованием адреса *link-local* или глобального IPv6-адреса интерфейса. В качестве интерфейса источника можно использовать loopback-интерфейс, сетевой или сервисный порт, туннель или физический интерфейс. Используйте необязательное ключевое слово *size*, чтобы указать размер пакета *ping*. Параметр *ipv6-address* представляет собой IPv6-адрес локального подключения запрашиваемого устройства. Используйте опцию *outgoing-interface*, чтобы указать исходящий интерфейс для многоадресного IP/IPv6-вызова *ping*.

**Формат:** `ping ipv6 interface {unit/slot/port | loopback loopback-id | network |serviceport|tunnel tunnel-id} {link-local-address link-local-address | ipv6-address} [size datagram-size] [outgoing-interface {unit/slot/port | vlan 1-4093 | serviceport | network}]`

**Режимы ввода команд:** привилегированный  
пользовательский

Ключевое слово	Описание
<b>interface</b>	Используйте ключевое слово <i>interface</i> , чтобы вызывать интерфейс с использованием адреса <i>link-local</i> или глобального IPv6-адреса интерфейса.
<b>size</b>	Используйте необязательное ключевое слово <i>size</i> , чтобы указать размер пакета <i>ping</i> .
<b>ipv6-address</b>	IPv6-адрес локального подключения запрашиваемого устройства.

## 12.2 Команды настройки туннельного интерфейса

Команды, приведенные в этой части, помогают создавать и удалять туннельные интерфейсы, а также управлять ими. Несколько различных типов туннелей обеспечивают функциональные возможности для ускорения перехода от IPv4-сетей к IPv6-сетям. Типы туннелей разделены на два класса: настроенные и автоматические. Различие состоит в том, что настроенные туннели имеют явную конфигурацию с указанием пункта назначения или конечной точки туннеля. А автоматические туннели определяют конечную точку на основании адреса назначения пакетов, которые маршрутизируются в этот туннель. Чтобы назначить IP-адрес туннельному интерфейсу, см. команду `ip address`. Чтобы назначить IPv6-адрес туннельному интерфейсу, см. команду `ipv6 address`.

### *interface tunnel*

Используйте эту команду для входа в режим конфигурирования интерфейса для туннельного интерфейса. Диапазон значений для *tunnel-id* — от 0 до 7.

**Формат:** `interface tunnel tunnel-id`

**Режим ввода команд:** глобальная конфигурация

### *no interface tunnel*

Эта команда удаляет туннельный интерфейс и соответствующие параметры конфигурации указанного туннельного интерфейса.

**Формат:** `no interface tunnel tunnel-id`

**Режим ввода команд:** глобальная конфигурация

### *tunnel source*

Данная команда указывает исходный транспортный адрес туннеля — явным образом либо путем ссылки на интерфейс.

**Формат:** `tunnel source {ipv4-address | ethernet unit/slot/port}`

**Режим ввода команд:** конфигурирование интерфейса

### *tunnel destination*

Эта команда указывает целевой транспортный адрес туннеля.

**Формат:** `tunnel destination {ipv4-address}`

**Режим ввода команд:** конфигурирование интерфейса

### *tunnel mode ipv6ip*

Данная команда устанавливает режим туннеля. При указании необязательного аргумента `6to4` режим туннеля устанавливается как `6to4 automatic`. Без дополнительного аргумента `6to4` режим туннеля устанавливается как `configured`.

**Формат:** `tunnel mode ipv6ip [6to4]`

**Режим ввода команд:** конфигурирование интерфейса



## ***show interface tunnel***

Эта команда отображает параметры, относящиеся к туннелю, например режим туннеля, исходный адрес туннеля и адрес назначения туннеля.

**Формат:** `show interface tunnel [tunnel-id]`

**Режим ввода команд:** привилегированный

Если идентификатор туннеля не указан, команда отображает для каждого настроенного туннеля следующую информацию.

<b><i>Термин</i></b>	<b><i>Значение</i></b>
<b>Tunnel ID</b>	Идентификационный номер туннеля.
<b>Interface</b>	Имя туннельного интерфейса.
<b>Tunnel Mode</b>	Режим туннеля.
<b>Source Address</b>	Исходный транспортный адрес туннеля.
<b>Destination Address</b>	Целевой транспортный адрес туннеля.

Если идентификатор туннеля указан, команда отображает для туннеля следующую информацию.

<b><i>Термин</i></b>	<b><i>Значение</i></b>
<b>Interface Link Status</b>	Показывает, создано или разорвано соединение.
<b>MTU Size</b>	Значение MTU для пакетов на данном интерфейсе.
<b>IPv6 Address/ Length</b>	Если на интерфейсе включен IPv6 и назначен адрес, команда отображает IPv6-адрес и префикс.

## **12.3 Команды настройки loopback-интерфейса**

В этой части представлены команды, с помощью которых можно создавать и удалять *loopback*-интерфейсы, а также управлять ими. Ожидается, что *loopback*-интерфейс всегда находится в поднятом состоянии. Такой интерфейс может предоставлять адрес источника для отправляемых пакетов и принимать как локальные, так и удаленные пакеты. Loopback-интерфейсы обычно используются протоколами маршрутизации.

Чтобы назначить *loopback*-интерфейсу IP-адрес, см. команду *ip address*. Чтобы назначить IPv6-адрес *loopback*-интерфейсу, см. команду *ipv6 address*.

### ***interface loopback***

Используйте эту команду для входа в режим конфигурирования интерфейса для *loopback*-интерфейса. Диапазон идентификатора: от 0 до 7.

**Формат:** `interface loopback Loopback-id`

**Режим ввода команд:** глобальная конфигурация

### *no interface loopback*

Эта команда удаляет *loopback*-интерфейс и соответствующие параметры конфигурации указанного *loopback*-интерфейса.

**Формат:** `no interface loopback Loopback-id`

**Режим ввода команд:** глобальная конфигурация

### *show interface loopback*

Данная команда отображает информацию о настроенном *loopback*-интерфейсе.

**Формат:** `show interface loopback [Loopback-id]`

**Режим ввода команд:** привилегированный

Если идентификатор *loopback*-интерфейса не указан, для каждого *loopback*-интерфейса в системе отображается следующая информация.

<i>Термин</i>	<i>Значение</i>
<b>Loopback ID</b>	Идентификатор <i>loopback</i> -интерфейса, состояние которого отображается в данной строке.
<b>Interface</b>	Имя интерфейса
<b>IP Address</b>	IPv4-адрес интерфейса.

При указании идентификатора *loopback*-интерфейса отображается следующая информация.

<i>Термин</i>	<i>Значение</i>
<b>Interface Link Status</b>	Показывает, создано или разорвано соединение.
<b>IP Address</b>	IPv4-адрес интерфейса.
<b>MTU size</b>	Значение MTU для пакетов на данном интерфейсе в байтах.

## 12.4 Команды IPv6-маршрутизации

В этой части приведены команды, используемые для настройки протокола IPv6 на уровне системы и конкретных интерфейсов. Здесь также описаны команды управления настройками IPv6 и команды просмотра оперативного состояния устройства.

### *ipv6 hop-limit*

Эта команда устанавливает количество хопов для одноадресных *ipv6*-пакетов, которые создаются на данном узле. Данное значение также включается в анонсы маршрутизатора. Действительные значения параметра *hops* находятся в диапазоне 1–255 включительно. Значение по умолчанию «не настроено» означает, что в анонсах маршрутизатора указывается значение, равное нулю, а в пакетах, создаваемых на данном узле, передается значение 64. Примечание: настройка значения 64 приводит к другим результатам.

**Значение по умолчанию:** не настроено

---

**Формат:** `ipv6 hop-limit hops`  
**Режим ввода команд:** глобальная конфигурация

*no ipv6 hop-limit*

Эта команда возвращает количество хопов в значение по умолчанию.

**Формат:** `no ipv6 hop-limit`  
**Режим ввода команд:** глобальная конфигурация

### ***ipv6 unicast-routing***

Используйте эту команду, чтобы включить переадресацию одноадресных IPv6-дейтаграмм.

**Значение по умолчанию:** выключено  
**Формат:** `ipv6 unicast-routing`  
**Режим ввода команд:** глобальная конфигурация

*no ipv6 unicast-routing*

Данная команда выключает переадресацию одноадресных IPv6-дейтаграмм.

**Формат:** `no ipv6 unicast-routing`  
**Режим ввода команд:** глобальная конфигурация

### ***ipv6 enable***

Используйте эту команду для включения IPv6-маршрутизации на интерфейсе или диапазоне интерфейсов, включая туннельные и loopback-интерфейсы, для которых не был явным образом настроен IPv6-адрес. При использовании этой команды интерфейс автоматически настраивается с адресом link-local. Не используйте эту команду, если на интерфейсе настроен глобальный IPv6-адрес.

**Значение по умолчанию:** выключено  
**Формат:** `ipv6 enable`  
**Режим ввода команд:** конфигурирование интерфейса

*no ipv6 enable*

Команда для выключения IPv6-маршрутизации на интерфейсе.

**Формат:** `no ipv6 enable`  
**Режим ввода команд:** конфигурирование интерфейса

### ***ipv6 address***

Используйте эту команду, чтобы настроить IPv6-адрес на интерфейсе или наборе интерфейсов, включая туннельный и loopback-интерфейс, а также включить обработку IPv6 на этом интерфейсе. С помощью этой команды для интерфейса можно назначить несколько глобально доступных адресов. Назначать с помощью этой команды адрес link-local не требуется, поскольку он

создается автоматически. Поле `prefix` состоит из битов настраиваемого адреса. Значение `prefix_length` устанавливает, сколько смежных битов высокого порядка данного адреса составляют префикс.

IPv6-адреса можно выразить в восьми блоках. Отметим также, что блоки разделяются между собой двоеточиями, а не точками. Для упрощения начальные нули каждого 16-разрядного блока могут быть опущены. Одна последовательность 16-битовых блоков, содержащих только нули, может быть заменена двойным двоеточием "::", но не более одного раза подряд (в противном случае адрес не будет являться уникальным).

- С пропусками нулей: `3ffe:ffff:100:f101:0:0:0:1` becomes `3ffe:ffff:100:f101::1`
- Локальный сервер: `0000:0000:0000:0000:0000:0000:0000:0001` becomes `::1`
- Любой сервер: `0000:0000:0000:0000:0000:0000:0000:0000` becomes `::`

Буквы, используемые в шестнадцатеричных IPv6-адресах, не чувствительны к регистру. Примером выражения префикса и длины префикса IPv6 является `3ffe:1::1234/64`.

Необязательное поле `[eui-64]` обозначает, что обработка IPv6 на интерфейсах была включена с использованием идентификатора интерфейса EUI-64 в 64 битах низкого порядка в адресе. При использовании этой опции значение `prefix_length` должно составлять 64 бита.

**Формат:** `ipv6 address prefix/prefix_length [eui64]`

**Режим ввода команд:** конфигурирование интерфейса

### *no ipv6 address*

Используйте эту команду, чтобы удалить все IPv6-адреса на интерфейсе или конкретный IPv6-адрес. Параметр `prefix` состоит из битов настраиваемого адреса. Значение `prefix_length` устанавливает, сколько смежных битов высокого порядка данного адреса составляют префикс. Необязательное поле `[eui-64]` обозначает, что обработка IPv6 на интерфейсах была включена с использованием идентификатора интерфейса EUI-64 в 64 битах низкого порядка в адресе.

Если никакие параметры не указаны, команда удаляет все IPv6-адреса на интерфейсе.

**Формат:** `no ipv6 address [prefix/prefix_length] [eui64]`

**Режим ввода команд:** конфигурирование интерфейса

### *ipv6 address autoconfig*

Данная команда позволяет стандартному (in-band) интерфейсу получить IPv6-адрес посредством IPv6 Neighbor Discovery Protocol (NDP) и использования сообщений анонсов маршрутизатора.

**Значение по умолчанию:** выключено

**Формат:** `ipv6 address autoconfig`

**Режим ввода команд:** конфигурирование интерфейса

### *no ipv6 address autoconfig*

Данная команда устанавливает состояние автоматической настройки IPv6 на интерфейсе в значение по умолчанию.

**Формат:** `no ipv6 address autoconfig`  
**Режим ввода команд:** конфигурирование интерфейса

### *ipv6 address dhcp*

Эта команда включает DHCPv6-клиент на стандартном интерфейсе, позволяя ему получать информацию о сети, например IPv6-адрес, от сетевого DHCP-сервера.

**Значение по умолчанию:** выключено  
**Формат:** `ipv6 address dhcp`  
**Режим ввода команд:** конфигурирование интерфейса

### *no ipv6 address dhcp*

Данная команда освобождает арендованный адрес и выключает DHCPv6 на интерфейсе.

**Формат:** `no ipv6 address dhcp`  
**Режим ввода команд:** конфигурирование интерфейса

### *ipv6 route*

Используйте эту команду, чтобы настроить статический IPv6-маршрут. Параметр `ipv6-prefix` — это целевая IPv6-сеть для данного статического маршрута. `Prefix_length` это десятичное значение (обычно 0–64), которое показывает, сколько смежных битов высокого порядка данного адреса составляют префикс. Значению `prefix_length` должна предшествовать косая черта. `Next-hop-address` — это IPv6-адрес ближайшего узла, который может быть использован для доступа в указанную сеть. При указании `Null0` в качестве значения ближайшего маршрутизатора происходит добавление статического маршрута отказа. Параметр `preference` используется маршрутизатором при сравнении данного маршрута с маршрутами из других источников, которые имеют тот же пункт назначения. Диапазон значений `preference` — 1–255, значение по умолчанию равно 1. Аргумент `unit/slot/port` относится к физическому или виртуальному интерфейсу маршрутизации. Ключевое слово `vlan` используется для прямого указания идентификатора VLAN на маршрутизирующем VLAN-интерфейсе (вместо формата `unit/slot/port`). Чтобы идентифицировать прямые статические маршруты из двухточечных соединений и широкополосных интерфейсов, можно указывать параметры `unit/slot/port`, `vlan id` или `tunnel tunnel_id`. При использовании адреса `link-local` в качестве соседнего узла необходимо указать интерфейс. Маршрут со значением `preference 255` нельзя использовать для передачи трафика.

**Значение по умолчанию:** выключено  
**Формат:** `ipv6 route ipv6-prefix/prefix_length {next-hop-address | Null0 | interface {unit/ slot/port|vlan 1-4093|tunnel tunnel_id} next-hop-address} [preference]`  
**Режим ввода команд:** глобальная конфигурация

## *no ipv6 route*

Команда используется для удаления статического IPv6-маршрута. Используйте эту команду без указания необязательных параметров, чтобы удалить все статические маршруты к указанному месту назначения. Используйте параметр *preference*, чтобы установить приоритет маршрута в значение по умолчанию.

**Формат:** `no ipv6 route ipv6-prefix/prefix_length [{next-hop-address | Null0 | interface {unit/ slot/port|vlan 1-4093|tunnel tunnel_id} next-hop-address | preference}]`

**Режим ввода команд:** глобальная конфигурация

## *ipv6 route distance*

Эта команда устанавливает дистанцию (приоритет) по умолчанию для статических IPv6-маршрутов. При определении оптимального маршрута предпочтение отдается более низким значениям дистанции маршрута. Команда `ipv6 route` позволяет дополнительно установить дистанцию (приоритет) для конкретных статических маршрутов. Если дистанция не указана с помощью этой команды, используется дистанция по умолчанию.

Изменение дистанции по умолчанию не обновляет дистанцию существующих статических маршрутов, даже если изначально они были назначены дистанциями по умолчанию. Новая дистанция по умолчанию будет применяться только к статическим маршрутам, созданным после выполнения команды `ipv6 route distance`.

**Значение по умолчанию:** 1

**Формат:** `ipv6 route distance 1-255`

**Режим ввода команд:** глобальная конфигурация

## *no ipv6 route distance*

Эта команда сбрасывает приоритет статического маршрута на маршрутизаторе до первоначального значения по умолчанию. При определении оптимального маршрута предпочтение отдается более низким значениям приоритета маршрута.

**Формат:** `no ipv6 route distance`

**Режим ввода команд:** глобальная конфигурация

## *ipv6 route net-prototype*

Эта команда добавляет сетевые прототипы маршрутов IPv6.

**Формат:** `ip route net-prototype prefix/prefix-length nexthopip num-routes`

**Режим ввода команд:** глобальная конфигурация

<i>Параметр</i>	<i>Описание</i>
<code>prefix/prefix-length</code>	Целевая сеть и маска маршрута.
<code>nexthopip</code>	Ближайший IP-адрес, который должен принадлежать активному интерфейсу маршрутизации, но не

	обязательно быть разрешенным.
<b>num-routes</b>	Количество маршрутов, которые необходимо добавить, начиная с указанного аргумента префикса и в пределах длины указанного префикса.

### *no ipv6 route net-prototype*

Команда удаляет все добавленные сетевые прототипы маршрутов IPv6.

**Формат:** `ip route net-prototype prefix/prefix-length nexthopip num-routes`

**Режим ввода команд:** глобальная конфигурация

### *ipv6 mtu*

Данная команда устанавливает значение Maximum Transmission Unit (MTU) в байтах для IPv6-пакетов на интерфейсе маршрутизации или диапазоне интерфейсов. Команда заменяет значение по умолчанию или MTU соединения новым значением MTU.



**Значение MTU по умолчанию для туннельного интерфейса равно 1280. Это значение изменить нельзя**

**Значение по умолчанию:** 1500

**Формат:** `ipv6 mtu 1280-1500`

**Режим ввода команд:** конфигурирование интерфейса

### *no ipv6 mtu*

Эта команда устанавливает MTU в значение по умолчанию.

**Формат:** `no ipv6 mtu`

**Режим ввода команд:** конфигурирование интерфейса

### *ipv6 nd dad attempts*

Эта команда устанавливает количество запросов по обнаружению дубликатов адресов, передаваемых на интерфейсе или диапазоне интерфейсов. Запросы по обнаружению дубликатов адресов проверяют, является ли IPv6-адрес на интерфейсе уникальным.

**Значение по умолчанию:** 1

**Формат:** `ipv6 nd dad attempts 0 - 600`

**Режим ввода команд:** конфигурирование интерфейса

### *no ipv6 nd dad attempts*

Эта команда сбрасывает количество запросов по обнаружению дубликатов адресов к значению по умолчанию.

**Формат:** `no ipv6 nd dad attempts`

Режим ввода команд:            конфигурирование интерфейса

### ***ipv6 nd managed-config-flag***

Данная команда устанавливает значение флага «managed address configuration» в анонсах маршрутизатора на интерфейсе или диапазоне интерфейсов. Когда указано значение true, конечные узлы используют DHCPv6. Когда указано значение false, конечные узлы настраивают адреса автоматически.

**Значение по умолчанию:**     false

**Формат:**                        ipv6 nd managed-config-flag

**Режим ввода команд:**         конфигурирование интерфейса

### ***no ipv6 nd managed-config-flag***

Эта команда возвращает флаг «managed address configuration» в анонсах маршрутизатора в значение по умолчанию.

**Формат:**                        no ipv6 nd managed-config-flag

**Режим ввода команд:**         конфигурирование интерфейса

### ***ipv6 nd ns-interval***

Эта команда настраивает интервал (в миллисекундах) между анонсами маршрутизатора для передачи сообщений Neighbor Solicitation. Анонсируемое значение 0 означает, что интервал не задан. Команда выполняет настройку отдельного интерфейса или диапазона интерфейсов.

**Значение по умолчанию:**     0

**Формат:**                        ipv6 nd ns-interval {1000-4294967295 | 0}

**Режим ввода команд:**         конфигурирование интерфейса

### ***no ipv6 nd ns-interval***

Эта команда возвращает интервал повторной передачи сообщений Neighbor Solicitation на указанном интерфейсе в значение по умолчанию.

**Формат:**                        no ipv6 nd ns-interval

**Режим ввода команд:**         конфигурирование интерфейса

### ***ipv6 nd other-config-flag***

Данная команда устанавливает значение флага «other stateful configuration» в анонсах маршрутизатора, отправляемых с интерфейса.

**Значение по умолчанию:**     false

**Формат:**                        ipv6 nd other-config-flag

**Режим ввода команд:**         конфигурирование интерфейса



### *no ipv6 nd other-config-flag*

Команда возвращает флаг «other stateful configuration» в анонсах маршрутизатора, отправляемых с интерфейса, в значение по умолчанию.

**Формат:** no ipv6 nd other-config-flag

**Режим ввода команд:** конфигурирование интерфейса

### *ipv6 nd ra-interval*

Данная команда устанавливает интервал передачи между анонсами маршрутизатора на интерфейсе или диапазоне интерфейсов.

**Значение по умолчанию:** 600

**Формат:** ipv6 nd ra-interval-max 4- 1800

**Режим ввода команд:** конфигурирование интерфейса

### *no ipv6 nd ra-interval*

Команда возвращает интервал между анонсами маршрутизатора в значение по умолчанию.

**Формат:** no ipv6 nd ra-interval-max

**Режим ввода команд:** конфигурирование интерфейса

### *ipv6 nd ra-lifetime*

Эта команда устанавливает значение в секундах для поля *Router Lifetime* в анонсах маршрутизатора, отправленных с интерфейса или диапазона интерфейсов. Значение *lifetime* указывается как ноль или должно быть целым числом в пределах между значением интервала передачи анонсов маршрутизатора и 9000. Нулевое значение означает, что этот маршрутизатор не предполагается использовать в качестве маршрутизатора по умолчанию.

**Значение по умолчанию:** 1800

**Формат:** ipv6 nd ra-lifetime *lifetime*

**Режим ввода команд:** конфигурирование интерфейса

### *no ipv6 nd ra-lifetime*

Команда возвращает поле Router Lifetime в значение по умолчанию.

**Формат:** no ipv6 nd ra-lifetime

**Режим ввода команд:** конфигурирование интерфейса

### *ipv6 nd ra hop-limit unspecified*

Данная команда настраивает маршрутизатор на интерфейсе на отправку сообщений Router Advertisement с неустановленным (0) текущим значением Hop Limit. Для серверов на данном соединении такое значение является указанием игнорировать Hop Limit с этого маршрутизатора.

**Значение по умолчанию:** выключено

**Формат:** ipv6 nd ra hop-limit unspecified

**Режим ввода команд:** конфигурирование интерфейса

*no ipv6 nd ra hop-limit unspecified*

Команда настраивает маршрутизатор на интерфейсе на отправку сообщений Router Advertisement с глобально настроенным значением Hop Limit.

**Формат:** no ipv6 nd ra hop-limit unspecified

**Режим ввода команд:** конфигурирование интерфейса

### ***ipv6 nd reachable-time***

Эта команда устанавливает время для анонсов маршрутизатора, в течение которого (с момента получения подтверждения обнаружения) соседний узел будет считаться доступным. Период доступности указывается в миллисекундах. Нулевое значение означает, что период для маршрутизатора не определен. Команда выполняет настройку отдельного интерфейса или диапазона интерфейсов.

**Значение по умолчанию:** 0

**Формат:** ipv6 nd reachable-time 0-4294967295

**Режим ввода команд:** конфигурирование интерфейса

*no ipv6 nd reachable-time*

Эта команда означает, что период для маршрутизатора не определен.

**Формат:** no ipv6 nd reachable-time

**Режим ввода команд:** конфигурирование интерфейса

### ***ipv6 nd router-preference***

Используйте эту команду для настройки приоритета маршрутизатора по умолчанию, который интерфейс будет передавать в сообщениях анонсов маршрутизатора.

**Значение по умолчанию:** medium

**Формат:** ipv6 nd router-preference { low | medium | high }

**Режим ввода команд:** конфигурирование интерфейса

*no ipv6 nd router-preference*

Эта команда сбрасывает настройку приоритета маршрутизатора по умолчанию, передаваемую интерфейсом, в значение по умолчанию.

**Формат:** no ipv6 nd router-preference

**Режим ввода команд:** конфигурирование интерфейса

### *ipv6 nd suppress-ra*

Эта команда подавляет передачу анонсов маршрутизатора на интерфейсе или диапазоне интерфейсов.

**Значение по умолчанию:** выключено  
**Формат:** `ipv6 nd suppress-ra`  
**Режим ввода команд:** конфигурирование интерфейса

### *no ipv6 nd suppress-ra*

Эта команда позволяет осуществлять передачу анонсов маршрутизатора на интерфейсе.

**Формат:** `no ipv6 nd suppress-ra`  
**Режим ввода команд:** конфигурирование интерфейса

### *ipv6 nd prefix*

Команда *ipv6 nd prefix* используется для настройки параметров, связанных с префиксами, которые маршрутизатор передает в своих анонсах. Первый необязательный параметр — lifetime данного маршрутизатора, в секундах. Можно указать конкретное время или установить для lifetime бесконечное значение (infinite). Второй необязательный параметр — *preferred* lifetime маршрутизатора.

Данная команда может использоваться для настройки одного интерфейса или диапазона интерфейсов.

Маршрутизатор анонсирует глобальные префиксы IPv6 в сообщениях Router Advertisement (RA). RA включает в себя только префиксы IPv6-адресов, настроенные на передающем интерфейсе. Адреса настраиваются с помощью команды *ipv6 address* в режиме конфигурирования интерфейса. Каждый анонс префикса включает в себя информацию о префиксе, например значение параметра lifetime и указание, должны ли серверы использовать для определения соединения этот префикс или автоматическую настройку адреса. Используйте команду *ipv6 nd prefix* для настройки всех этих значений.

Команда *ipv6 nd prefix* позволяет настроить значения префикса RA перед настройкой связанного адреса интерфейса. Чтобы префикс был включен в сообщения RA, необходимо настроить адрес, соответствующий префиксу, с помощью команды *ipv6 address*. Префиксы, заданные с помощью *ipv6 nd prefix* без соответствующего адреса интерфейса, не будут включены в RA и использованы в конфигурации устройства.

**Значение по умолчанию:** `valid-lifetime — 2 592 000;`  
`preferred-lifetime — 604 800;`  
`autoconfig — enabled;`  
`on-link — enabled.`  
**Формат:** `ipv6 nd prefix prefix/prefix_length [{0-4294967295 | infinite} {0-4294967295 | infinite}] [no-autoconfig off-link]`  
**Режим ввода команд:** конфигурирование интерфейса

### *no ipv6 nd prefix*

Эта команда устанавливает конфигурацию префикса в значение по умолчанию.

**Формат:** `no ipv6 nd prefix prefix/prefix_Length`

**Режим ввода команд:** конфигурирование интерфейса

### ***ipv6 neighbor***

Команда настраивает статический соседний IPv6-узел сети с указанными IPv6- и MAC-адресами на интерфейсе маршрутизации или узлом интерфейса.

**Формат:** `ipv6 neighbor ipv6address {unit/slot/port|vlan 1-4093} macaddr`

**Режим ввода команд:** глобальная конфигурация

<b>Параметр</b>	<b>Описание</b>
<b>ipv6address</b>	IPv6-адрес соседнего узла.
<b>unit/slot/port</b>	Значение <i>unit/slot/port</i> указанного интерфейса.
<b>vlan</b>	VLAN для интерфейса.
<b>macaddr</b>	MAC-адрес соседнего узла.

### ***no ipv6 neighbor***

Эта команда удаляет статический соседний IPv6-узел с указанным IPv6-адресом на интерфейсе маршрутизации или интерфейсе сервера.

**Формат:** `no ipv6 neighbor ipv6address {unit/slot/port|vlan 1-4093}`

**Режим ввода команд:** глобальная конфигурация

### ***ipv6 neighbors dynamicrenew***

Используйте эту команду, чтобы автоматически обновлять записи соседних IPv6-узлов. Выполнение данной команды включает/выключает отправку периодических запросов NUD (Neighbor Unreachability Detection) для существующих записей о соседних IPv6-узлах на основании активности этих записей в аппаратном обеспечении. Если отправка выключена, запросы NUD по истечении заданного интервала STALE (1200 секунд) отправляются только для тех записей, которые активно используются на данном аппаратном обеспечении. Если отправка включена, каждые 40 секунд выполняются запросы NUD для всех 300 записей, независимо от их использования.

**Значение по умолчанию:** выключено

**Формат:** `ipv6 neighbors dynamicrenew`

**Режим ввода команд:** глобальная конфигурация

### ***no ipv6 neighbors dynamicrenew***

Команда выключает автоматическое обновление записей соседних IPv6-узлов.

**Формат:** `no ipv6 neighbors dynamicrenew`

**Режим ввода команд:** глобальная конфигурация

## ipv6 nud

Используйте эту команду для настройки запросов NUD. Запросы NUD выполняют проверку связи с соседними узлами сети.

**Формат:** `ipv6 nud {backoff-multiple | max-multicast-solicits | max-unicast-solicits}`

**Режим ввода команд:** глобальная конфигурация

Параметр	Описание
<b>backoff-multiple</b>	Устанавливает экспоненциальный множитель для вычисления отсрочки передачи сообщений Neighbor Solicitation (NS) во время запросов NUD. Значение может быть от 1 до 5. Значение по умолчанию — 1. Если значение с расчетом экспоненциальной отсрочки получается более 60 секунд, интервал ограничивается максимальным значением 60 секунд.
<b>max-multicast-solicits</b>	Устанавливает максимальное количество многоадресных сообщений NS, отправленных в процессе NUD. Значение может быть от 3 до 255. Значение по умолчанию — 3.
<b>max-unicast-solicits</b>	Устанавливает максимальное количество одноадресных сообщений NS, отправленных в процессе NUD. Значение может быть от 3 до 10. Значение по умолчанию — 3.

## ipv6 prefix-list

Чтобы создать список префиксов или добавить запись в такой список, используйте команду `ipv6 prefix-list` в режиме глобальной конфигурации. Списки префиксов позволяют сопоставлять префиксы маршрутов с префиксами, указанными в списке. Каждый список префиксов включает в себя последовательность записей префиксов, упорядоченных в соответствии с порядковыми номерами. Маршрутизатор последовательно проверяет каждый элемент списка префиксов, чтобы определить, совпадает ли префикс маршрута с префиксом записи. Если список префиксов пуст или не существует, разрешены все префиксы. Отказ подразумевается для тех случаев, когда префикс не соответствует ни одной записи из списка. Найдя совпадение или получив отказ, маршрутизатор не проверяет остальную часть списка. Список префиксов можно использовать в карте маршрутов для сопоставления префикса маршрута при использовании команды `match ip address`.

Настроить можно до 128 списков префиксов. Максимальное количество записей в списке префиксов — 64.

**Значение по умолчанию:** По умолчанию списки префиксов отсутствуют. Если опции **ge** и **le** не настроены, префикс места назначения должен точно совпадать с сетью/длиной. Если настроена опция **ge** без опции **le**, любой префикс с маской сети, равной или превышающей значение **ge**, считается совпадением. Аналогично, если настроена опция **le** без опции **ge**, префикс с маской сети, равной или меньше значения **le**, считается совпадением.

**Формат:** `ipv6 prefix-list list-name {[seq number] {permit | deny} ipv6-prefix/prefix-length [ge length] [le length] | renumber renumber-interval first-statement-number}`

**Режим ввода команд:** глобальная конфигурация

<i>Термин</i>	<i>Значение</i>
<b>list-name</b>	Текстовое имя списка префиксов. Длина — до 32 символов.
<b>seq number</b>	(Необязательный параметр.) Порядковый номер данного заявления в списке префиксов. Заявления в списке префиксов упорядочены от наименьшего порядкового номера к большему и применяются в указанном порядке. Если вы не указываете порядковый номер, система автоматически присваивает заявлению порядковый номер на пять единиц больше последнего номера в списке. Нельзя настроить два заявления с одним и тем же порядковым номером. Значение может быть от 1 до 4 294 967 294.
<b>permit</b>	Разрешить маршруты, префикс места назначения в которых совпадает с записью.
<b>deny</b>	Отклонить маршруты, префикс места назначения в которых совпадает с записью.
<b>ipv6-prefix/prefix-length</b>	Указывает критерий совпадения для маршрутов, сопоставляемых с записями списка префиксов. Значение <code>ipv6-prefix</code> может обозначать любой действительный IP-префикс. Значение <code>length</code> может обозначать любой префикс IPv6 длиной от 0 до 32.
<b>ge length</b>	(Необязательный параметр.) Если эта опция настроена, префикс считается совпадением, если длина маски сети больше либо равна указанному значению. Значение должно быть больше длины сети и меньше либо равно 32.
<b>le length</b>	(Необязательный параметр.) Если эта опция настроена, префикс считается совпадением, если длина маски сети меньше либо равна указанному значению. Значение должно быть больше длины <code>ge</code> и меньше либо равно 32.
<b>renumber</b>	(Необязательный параметр.) Предоставляет возможность изменить порядковую нумерацию записей в списке IP-префиксов с заданным интервалом, начиная с указанного порядкового номера. Диапазон значений для <code>renumber-interval</code> — 1–100, диапазон значений для <code>first-statement-number</code> — 1–1000.

### ***no ipv6 prefix-list***

Чтобы удалить список префиксов или запись в списке префиксов, используйте **no**-форму данной команды. Команда **no ipv6 prefix-list list-name** удаляет весь список префиксов. Чтобы удалить отдельную запись в списке префиксов, необходимо точно указать эту запись со всеми опциями.

**Формат:** `no ipv6 prefix-list list-name [seq number] {permit | deny} network/length [ge length] [le length]`

**Режим ввода команд:** глобальная конфигурация

### *ipv6 unreachable*

Команда позволяет включить генерацию сообщений ICMPv6 Destination Unreachable на интерфейсе или диапазоне интерфейсов. По умолчанию генерация сообщений ICMPv6 Destination Unreachable включена.

**Значение по умолчанию:** включено  
**Формат:** ipv6 unreachable  
**Режим ввода команд:** конфигурирование интерфейса

### *no ipv6 unreachable*

Используйте эту команду, чтобы запретить генерацию сообщений ICMPv6 Destination Unreachable.

**Формат:** no ipv6 unreachable  
**Режим ввода команд:** конфигурирование интерфейса

### *ipv6 unresolved-traffic*

Данная команда позволяет контролировать скорость, с которой IPv6-пакеты данных поступают в процессор. По умолчанию ограничение скорости выключено. Если ограничение включено, скорость может составлять от 50 до 1024 пакетов в секунду.

**Значение по умолчанию:** 1024  
**Формат:** ipv6 unresolved-traffic rate-limit <50-1024>  
**Режим ввода команд:** глобальная конфигурация

### *no ipv6 unresolved-traffic*

Используйте эту команду, чтобы вернуть ограничение скорости входящего трафика в значение по умолчанию.

**Формат:** no ipv6 unresolved-traffic rate-limit  
**Режим ввода команд:** глобальная конфигурация

### *ipv6 icmp error-interval*

Используйте данную команду, чтобы ограничить скорость, с которой отсылаются сообщения об ошибке ICMPv6. Ограничение скорости настраивается как группа с двумя настраиваемыми параметрами: *burst-size* и *burst-interval*.

Параметр *burst-interval* определяет, как часто группа инициализируется с параметрами *burst-size*. Значение *burst-interval* — от 0 до 2 147 483 647 миллисекунд (мс).

Параметр *burst-size* — это количество ICMPv6-сообщений об ошибке, которые могут быть посланы за время *burst-interval*. Диапазон: от 1 до 200 сообщений.

Чтобы выключить ограничение скорости ICMP, необходимо установить параметр *burst-interval* на ноль (0).

**Значение по умолчанию:** *burst-interval* – 1000 мс.

*burst-size* – 100 сообщений.

**Формат:** `ipv6 icmp error-interval burst-interval [burst-size]`

**Режим ввода команд:** глобальная конфигурация

*no ipv6 icmp error-interval*

Используйте **no**-форму команды, чтобы вернуть *burst-interval* и *burst-size* в значения по умолчанию.

**Формат:** `no ipv6 icmp error-interval`

**Режим ввода команд:** глобальная конфигурация

### ***show ipv6 brief***

Данная команда отображает состояния режима IPv6-переадресации и режима одноадресной IPv6-маршрутизации.

**Формат:** `show ipv6 brief`

**Режим ввода команд:** привилегированный

<i>Термин</i>	<i>Значение</i>
<b>IPv6 Forwarding Mode</b>	Показывает, включен ли режим IPv6-переадресации.
<b>IPv6 Unicast Routing Mode</b>	Показывает, включен ли режим одноадресной IPv6-маршрутизации.
<b>IPv6 Hop Limit</b>	Показывает количество хопов для одноадресных IPv6-пакетов, которые создаются на данном узле. Подробнее см. в описании команды <code>ipv6 hop-limit</code> .
<b>ICMPv6 Rate Limit Error Interval</b>	Показывает, как часто группа инициализируется с параметрами <i>burst-size</i> . Подробнее см. в описании команды <code>ipv6 icmp error-interval</code> .
<b>ICMPv6 Rate Limit Burst Size</b>	Показывает количество сообщений об ошибках ICMPv6, которые могут быть присланы за один период <i>burst-interval</i> . Подробнее см. в описании команды <code>ipv6 icmp error-interval</code> .
<b>Maximum Routes</b>	Показывает максимальный размер таблицы IPv6-маршрутизации.
<b>IPv6 Unresolved Data Rate Limit</b>	Показывает скорость (в пакетах в секунду) для IPv6-пакетов данных, отправленных на CPU, после того как эти пакеты не удалось перенаправить из-за неразрешенного сбоя переадресации.
<b>IPv6 Neighbors Dynamic Renew</b>	Показывает режим отправки периодических запросов NUD (Neighbor Unreachability Detection) для существующих записей о соседних IPv6-узлах на основании активности этих записей в аппаратном обеспечении.
<b>IPv6 NUD Maximum Unicast Solicits</b>	Показывает максимальное число одноадресных сообщений Neighbor Solicitations (NS), отправленных в процессе NUD перед коммутацией на отправку многоадресных NS-сообщений.



<b>IPv6 NUD Maximum Multicast Solicits</b>	Показывает максимальное число многоадресных NS-сообщений, отправленных в процессе NUD в адрес соседних устройств в состоянии UNREACHABLE.
<b>IPv6 NUD Exponential Backoff Multiple</b>	Показывает экспоненциальный множитель для вычисления интервала передачи NS-сообщений в процессе NUD в соответствии с алгоритмом экспоненциальной отсрочки.

### **show ipv6 interface**

Используйте эту команду, чтобы отобразить состояние использования интерфейсов IPv6 и возможность отправки сообщений ICMPv6 Destination Unreachable. Аргумент *unit/slot/port* относится к физическому или виртуальному интерфейсу маршрутизации. Ключевое слово **vlan** используется для прямого указания идентификатора VLAN на маршрутизирующем VLAN-интерфейсе (вместо формата *unit/slot/port*). Ключевое слово **loopback** непосредственно определяет loopback-интерфейс. Ключевое слово **tunnel** определяет туннельный IPv6-интерфейс.

**Формат:** `show ipv6 interface {brief | unit/slot/port|vlan 1-4093|loopback 0-7|tunnel 0-7}`

**Режим ввода команд:** привилегированный

Если использован параметр *brief*, для всех настроенных IPv6-интерфейсов отображается следующая информация.

<b>Термин</b>	<b>Значение</b>
<b>Interface</b>	Интерфейс в формате unit/slot/port.
<b>IPv6 Operational Mode</b>	Показывает, включен ли данный режим.
<b>IPv6 Address/Length</b>	Показывает IPv6-адрес и длину префикса для интерфейсов, где IPv6 включен.
<b>Method</b>	Указывает, как был назначен каждый IP-адрес. Поле содержит одно из следующих значений: <ul style="list-style-type: none"> <li>• DHCP — адрес предоставлен DHCP-сервером;</li> <li>• Manual — адрес настроен вручную.</li> </ul> Глобальные адреса без аннотации считаются настроенными вручную.

Если указан конкретный интерфейс, дополнительно отображается следующая информация.

<b>Термин</b>	<b>Значение</b>
<b>Routing Mode</b>	Показывает, включена ли IPv6-маршрутизация.
<b>IPv6 Enable Mode</b>	Показывает, включен ли IPv6 на интерфейсе.
<b>Administrative Mode</b>	Показывает, включен ли административный режим интерфейса.
<b>Bandwidth</b>	Пропускная способность интерфейса.
<b>Interface Maximum Transmission Unit</b>	Размер MTU в байтах.
<b>Router Duplicate Address Detection Transmits</b>	Количество последовательных запросов по обнаружению дубликатов адресов, которое будет

	передано.
<b>Address Autoconfigure Mode</b>	Показывает, включен ли режим автоматической настройки.
<b>Address DHCP Mode</b>	Показывает, включен ли на интерфейсе DHCPv6-клиент.
<b>IPv6 Hop Limit Unspecified</b>	Указывает, настроен ли маршрутизатор на этом интерфейсе на отправку сообщений Router Advertisements с неустановленным (0) текущим значением Hop Limit.
<b>Router Advertisement NS Interval</b>	Интервал в миллисекундах между отправкой анонсов маршрутизатора при выполнении NS-запросов.
<b>Router Advertisement Lifetime</b>	Показывает значение lifetime для маршрутизатора на данном интерфейсе, передаваемое в анонсах маршрутизатора.
<b>Router Advertisement Reachable Time</b>	Время в миллисекундах, в течение которого (с момента получения подтверждения обнаружения) соседний узел будет считаться доступным.
<b>Router Advertisement Interval</b>	Частота отправки анонсов маршрутизатора в секундах.
<b>Router Advertisement Managed Config Flag</b>	Показывает, установлен (включен) ли флаг «managed address configuration» в анонсах маршрутизатора на интерфейсе.
<b>Router Advertisement Other Config Flag</b>	Показывает, установлен (включен) ли флаг «other configuration» в анонсах маршрутизатора на интерфейсе.
<b>Router Advertisement Router Preference</b>	Показывает приоритет маршрутизатора.
<b>Router Advertisement Suppress Flag</b>	Показывает, работает ли в отношении анонсов маршрутизатора подавление (значение enabled), или они отправляются (значение disabled).
<b>IPv6 Destination Unreachables</b>	Показывает, разрешена отправка сообщений ICMPv6 Destination Unreachable (значение enabled) или запрещена (значение disabled).
<b>ICMPv6 Redirect</b>	Указывает, может ли маршрутизатор отправиться ICMPv6-сообщения о перенаправлении обратно отправителю, если на интерфейсе включен сценарий переадресации.

Если на интерфейсе настроен IPv6-префикс, дополнительно отображается следующая информация.

<i>Термин</i>	<i>Значение</i>
<b>IPv6 Prefix is</b>	IPv6-префикс для указанного интерфейса.
<b>Preferred Lifetime</b>	В течение какого времени анонсированный префикс является приоритетным префиксом.
<b>Valid Lifetime</b>	В течение какого времени анонсированный префикс является действительным.

<b>Onlink Flag</b>	Показывает, установлен (включен) ли флаг «onlink» в префиксе.
<b>Autonomous Flag</b>	Показывает, установлен (включен) ли флаг «autonomous address-configuration» (автоматическая настройка) в префиксе.

### **show ipv6 interface vlan**

Используйте команду *show ipv6 interface vlan* в привилегированном режиме, чтобы показать состояние использования IPv6-интерфейсов VLAN.

**Формат:** `show ipv6 interface vlan vlan-id [prefix]`

**Режим ввода команд:** привилегированный

Пользовательский

<i>Параметр</i>	<i>Описание</i>
<b>vlan-id</b>	Действительный идентификатор VLAN.
<b>prefix</b>	Отображает информацию IPv6-префикса на интерфейсе.

### **show ipv6 dhcp interface**

Эта команда отображает список IPv6-адресов, которые в настоящее время выделены DHCP-сервером для указанного стандартного (in-band) интерфейса. Аргумент *unit/slot/port* относится к физическому или виртуальному интерфейсу маршрутизации. Ключевое слово **vlan** используется для прямого указания идентификатора VLAN на маршрутизирующем VLAN-интерфейсе (вместо формата *unit/slot/port*).

**Формат:** `show ipv6 dhcp [interface {unit/slot/port|vlan 1-4093}]`

**Режимы ввода команд:** привилегированный

<i>Термин</i>	<i>Значение</i>
<b>Mode</b>	Показывает, находится ли указанный интерфейс в режиме клиента.
<b>State</b>	Состояние DHCPv6-клиента на указанном интерфейсе. Возможны следующие значения: INACTIVE, SOLICIT, REQUEST, ACTIVE, RENEW, REBIND и RELEASE.
<b>Server DUID</b>	Уникальный идентификатор DHCPv6-сервера на данном интерфейсе.
<b>T1 Time</b>	Время T1, заданное DHCPv6-сервером. По истечении этого времени клиент должен предпринять попытку обновить аренду адреса, которым он пользовался.
<b>T2 Time</b>	Время T2, заданное DHCPv6-сервером. Если по истечении этого времени продлить аренду не удастся, клиент отправляет на сервер сообщение Rebind.
<b>Interface IAID</b>	Идентификатор Identity Association, выбранной

	данным клиентом.
<b>Leased Address</b>	IPv6-адрес, выделенный DHCPv6-сервером для этого интерфейса.
<b>Preferred Lifetime</b>	Приоритетное время жизни IPv6-адреса согласно определению стандарта RFC 2462.
<b>Valid Lifetime</b>	Действительное время жизни IPv6-адреса согласно определению стандарта RFC 2462.
<b>Renew Time</b>	Остаток времени до следующей попытки клиента продлить аренду.
<b>Expiry Time</b>	Остаток времени до истечения срока действия адреса.

### ***show ipv6 nd rguard policy***

Эта команда отображает состояние функции IPv6 RA GUARD на коммутаторе. При выводе перечисляются порты/интерфейсы, на которых эта функция включена, и соответствующие роли устройства.

**Формат:** `show ipv6 nd rguard policy`

**Режим ввода команд:** привилегированный

<b><i>Параметр</i></b>	<b><i>Описание</i></b>
<b>Interface</b>	Порт/интерфейс, на котором включена функция.
<b>Role</b>	Роль связанного устройства для интерфейса.

### ***show ipv6 neighbors***

Используйте эту команду, чтобы отобразить информацию о соседних IPv6-узлах.

**Формат:** `show ipv6 neighbor [interface {unit/slot/port | vlan 1-4093 | tunnel 0-7} | ipv6- address]`

**Режим ввода команд:** привилегированный

<b><i>Термин</i></b>	<b><i>Значение</i></b>
<b>Interface</b>	Интерфейс в формате unit/slot/port. IPv6 Address IPv6-адрес соседнего узла или интерфейса.
<b>MAC Address</b>	MAC-адрес соседнего узла.
<b>IsRtr</b>	Показывает, является ли соседний узел маршрутизатором. При значении TRUE соседний узел известен как маршрутизатор; при значении FALSE — нет. Значение FALSE может означать, что маршрутизаторы не всегда известны как маршрутизаторы.
<b>Neighbor State</b>	Состояние записи о соседнем узле в таблице. Возможные значения: Incomplete, Reachable, Stale, Delay, Probe и Unknown.
<b>Age</b>	Время в секундах, прошедшее с момента добавления

	записи в таблицу.
<b>Type</b>	Тип записи о соседнем узле. Имеет значение Static, если запись настроена вручную, и Dynamic, если запись разрешается динамически.

### **clear ipv6 neighbors**

Используйте эту команду, чтобы удалить все записи из таблицы соседних IPv6-узлов или запись, связанную с определенным интерфейсом. Используйте параметр *unit/slot/port* для указания интерфейса, параметр *ipv6address* для указания IPv6-адреса или параметр *vlan* для указания сети VLAN.

**Формат:** `clear ipv6 neighbors [{unit/slot/port | ipv6address | vlan id}]`

**Режим ввода команд:** привилегированный

### **show ipv6 protocols**

Эта команда отображает сводную информацию о конфигурации и состоянии активных протоколов IPv6-маршрутизации. Команда выводит список протоколов маршрутизации, которые настроены и включены. Если в командной строке выбран определенный протокол, вывод команды будет ограничен только этим протоколом.

**Формат:** `show ipv6 protocols [bgp|ospf]`

**Режим ввода команд:** привилегированный

<b>Термин</b>	<b>Значение</b>
<b>Раздел BGP</b>	
<b>Routing Protocol</b>	BGP.
<b>Router ID</b>	Идентификатор маршрутизатора, настроенный для BGP.
<b>Local AS Number</b>	Номер AS, к которой относится локальный маршрутизатор.
<b>BGP Admin Mode</b>	Глобальная настройка BGP: enabled или disabled.
<b>Maximum Paths</b>	Максимальное количество ближайших узлов на внутреннем или внешнем маршруте BGP.
<b>Always Compare MED</b>	Настроен ли BGP на сравнение MED для маршрутов, полученных от подключенных устройств в других AS.
<b>Maximum AS Path Length</b>	Ограничение длины AS-путей, которые BGP принимает от соседних устройств.
<b>Fast Internal Failover</b>	Будет ли BGP немедленно выключать смежности iBGP, если менеджер таблицы маршрутизации сообщит, что адрес партнерского устройства больше не доступен.
<b>Fast External Failover</b>	Будет ли BGP немедленно выключать смежности eBGP, если соединение с соседним устройством прервется.

<b>Distance</b>	Административная дистанция (или «приоритет маршрута») по умолчанию для внешних, внутренних и локальных маршрутов BGP. В отображаемой следом таблице перечисляются диапазоны соседних адресов, которые были настроены, чтобы переопределить дистанцию по умолчанию на дистанцию указанного соседа. Если адрес соседа подпадает в один из этих диапазонов, маршрутам от этого соседа назначаются настроенные дистанции. Если список префиксов сконфигурирован, дистанция назначается только префиксам от соседних устройств, которые разрешены списком префиксов.
<b>Redistribution</b>	Таблица с информацией для каждого протокола-источника маршрутов (connected, static, rip и ospf). Для каждого из этих источников показывается список анонсирования и карта маршрутов, а также настроенная метрика. Не настроенные поля остаются пустыми. Для OSPF дополнительная строка показывает настроенные параметры соответствия OSPF.
<b>Prefix List In</b>	Глобальный список префиксов, используемых для фильтрации входящих маршрутов от всех соседних устройств.
<b>Prefix List Out</b>	Глобальный список префиксов, используемых для фильтрации исходящих маршрутов для всех соседних устройств.
<b>Networks Originated</b>	Набор сетей, созданных с помощью команды network. Сети, анонсированные соседним устройствам, отмечены как active.
<b>Neighbors</b>	Список настроенных соседних устройств и настроенные для каждого из них входящие и исходящие политики.
<b>Раздел OSPFv3</b>	
<b>Routing Protocol</b>	OSPFv3.
<b>Router ID</b>	Идентификатор маршрутизатора, настроенный для OSPFv3.
<b>OSPF Admin Mode</b>	Включен ли OSPF глобально.
<b>Maximum Paths</b>	Максимальное количество ближайших узлов на маршруте OSPF.
<b>Default Route Advertise</b>	Настроен ли OSPF на создание маршрута по умолчанию.
<b>Always</b>	Зависит ли анонсирование маршрута по умолчанию от наличия маршрута по умолчанию в общей таблице маршрутизации.
<b>Metric</b>	Метрика, настроенная для анонсирования с маршрутом по умолчанию.
<b>Metric Type</b>	Тип метрики для маршрута по умолчанию.

## show ipv6 route

Эта команда отображает таблицу IPv6-маршрутизации. Параметр *ipv6-address* указывает конкретный IPv6-адрес, для которого будет отображаться самый оптимальный маршрут. Параметры *ipv6-prefix/ipv6-prefix-length* определяют конкретную IPv6-сеть, для которой будет отображаться оптимальный маршрут. Параметр *interface* указывает, что будут показаны маршруты с ближайшими узлами на данном интерфейсе. Аргумент *unit/slot/port* относится к физическому или виртуальному интерфейсу маршрутизации. Ключевое слово **vlan** используется для прямого указания идентификатора VLAN на маршрутизирующем VLAN-интерфейсе (вместо формата *unit/slot/port*). Параметр *protocol* указывает протокол, которым установлены маршруты. Для *protocol* возможны следующие значения: *connected*, *ospf*, *static*. Параметр *all* указывает на то, что отображаются все маршруты, включая оптимальные и не оптимальные. При его отсутствии отображаются только оптимальные маршруты.



Если использовать для *protocol* ключевое слово **connected**, опция **all** будет недоступна, потому что наиболее и наименее подходящих подключенных маршрутов не существует.

**Формат:** `show ipv6 route [ipv6-address [protocol] | {{ipv6-prefix/ipv6-prefix-length | unit/ slot/port|vlan 1-4093}} [protocol] | protocol | summary] [all] | all}}`

**Режимы ввода команд:** привилегированный  
пользовательский

Столбцы таблицы маршрутизации отображают следующую информацию.

Термин	Значение
Code	Коды для протоколов маршрутизации, создавших маршруты.
Default Gateway	IPv6-адрес шлюза по умолчанию. Когда в системе нет более точного маршрута до места назначения пакета, пакет отправляется на шлюз по умолчанию.
IPv6-Prefix/IPv6- Prefix-Length	IPv6-префикс и длина префикса целевой IPv6-сети, соответствующая данному маршруту.
Preference/Metric	Административная дистанция (приоритет) и стоимость (метрика), связанные с этим маршрутом. Пример вывода: [1/0], где 1 является приоритетом, а 0 является метрикой.
Tag	Десятичное значение тега, связанного с перераспределением маршрута, если параметр не равен 0.
Next-Hop	IPv6-адрес следующего маршрутизатора(если таковой существует), через который доступна целевая IPv6-сеть.
Route-Timestamp	Время последнего обновления для динамических маршрутов. Формат для временной метки маршрута будет в виде: <ul style="list-style-type: none"> <li>• дд:чч:мм, если прошло дней &gt; = 1;</li> <li>• чч:мм:сс если прошло дней &lt; 1.</li> </ul>

Interface	Интерфейс маршрутизатора, используемый для направления трафика к следующему целевому узлу. Для отклоненных маршрутов ближайшим будет интерфейс Null0.
T	Флаг, добавляемый к IPv6-маршруту, чтобы указать, что это ECMP-маршрут, но только один из его ближайших узлов был установлен в таблице маршрутизации. Таблица маршрутизации может ограничивать количество ECMP-маршрутов или ECMP-групп. Если ECMP-маршрут не удается установить, потому что достигнуто установленное ограничение, маршрут устанавливается с помощью одного ближайшего узла. Такие сокращенные маршруты обозначаются флагом T после имени интерфейса.

Чтобы административно контролировать трафик, назначенный на определенную сеть, и предотвратить его передачу через маршрутизатор, можно настроить на маршрутизаторе статический маршрут отказа. Такой трафик будет отброшен, и ICMP-сообщение о недоступности места назначения будет послано обратно к источнику. Обычно такой способ используют для предотвращения маршрутных петель. Маршрут отказа, добавленный в RTO, относится к типу OSPF Inter-Area. Маршруты отказа (маршруты типа REJECT, установленные любым протоколом) не распространяются протоколами OSPF/RIP. Маршруты отказа поддерживаются и в OSPFv2, и в OSPFv3.

### ***show ipv6 route ecmp-groups***

Эта команда выдает отчет обо всех ECMP-группах в таблице маршрутизации IPv6. ECMP-группы — это набор из двух или более соседних узлов, используемых в одном или нескольких маршрутах. Группы нумеруются произвольно от 1 до n. Вывод команды показывает количество соседних узлов в группе и количество маршрутов, использующих набор этих соседних узлов. При выводе также указывается IPv6-адрес и исходящий интерфейс для каждого перехода в каждой группе.

**Формат:** `show ipv6 route ecmp-groups`

**Режим ввода команд:** привилегированный

### ***show ipv6 route hw-failure***

Используйте эту команду для отображения маршрутов, которые не удалось добавить из-за ошибок хэша или переполнения таблицы маршрутизации.

**Формат:** `show ipv6 route hw-failure`

**Режим ввода команд:** привилегированный

### ***show ipv6 route net-prototype***

Данная команда отображает маршруты прототипа сети. Маршруты прототипов сетей отображаются с меткой P.

**Формат:** `show ipv6 route net-prototype`

**Режимы ввода команд:** привилегированный



### *show ipv6 route preferences*

Используйте эту команду, чтобы отобразить значение приоритета, связанного с типом маршрута. Меньшие значения имеют больший приоритет. Маршрут со значением preference 255 нельзя использовать для передачи трафика.

**Формат:** `show ipv6 route preferences`

**Режим ввода команд:** привилегированный

<i>Термин</i>	<i>Значение</i>
<b>Local</b>	Приоритет непосредственно подключенных маршрутов.
<b>Static</b>	Приоритет статических маршрутов.
<b>OSPF Intra</b>	Приоритет маршрутов в пределах OSPF-зоны.
<b>OSPF Inter</b>	Приоритет маршрутов относительно других OSPF-маршрутов, которые находятся за пределами зоны.
<b>OSPF External</b>	Приоритет внешних OSPF-маршрутов.
<b>BGP External</b>	Приоритет внешних BGP-маршрутов.
<b>BGP Internal</b>	Приоритет маршрутов относительно других BGP-маршрутов, которые находятся за пределами зоны.
<b>BGP Local</b>	Приоритет маршрутов в пределах BGP-зоны.

### *show ipv6 route summary*

Эта команда показывает сводную информацию о состоянии таблицы маршрутизации. Если введено дополнительное ключевое слово *all*, некоторая статистика, например количество маршрутов от каждого источника, включает альтернативные маршруты. Альтернативный маршрут — это маршрут, который не является наиболее приоритетным для места назначения и поэтому не попадает в таблицу маршрутизации. Чтобы включить только количество оптимальных маршрутов, не используйте необязательное ключевое слово.

**Формат:** `show ipv6 route summary [all]`

**Режимы ввода команд:** привилегированный  
пользовательский

<i>Термин</i>	<i>Значение</i>
<b>Connected Routes</b>	Общее количество подключенных маршрутов в таблице маршрутизации.
<b>Static Routes</b>	Общее количество статических маршрутов в таблице маршрутизации.
<b>BGP Routes</b>	Общее количество маршрутов, установленных протоколом BGP.
<b>External</b>	Количество внешних BGP-маршрутов.
<b>Internal</b>	Количество внутренних BGP-маршрутов.

<b>Local</b>	Количество локальных BGP-маршрутов.
<b>OSPF Routes</b>	Общее количество маршрутов, установленных протоколом OSPFv3.
<b>Reject Routes</b>	Общее количество маршрутов отказа, установленных всеми протоколами.
<b>Net Prototype Routes</b>	Общее количество маршрутов прототипов сети.
<b>Number of Prefixes</b>	Суммарное количество маршрутов с префиксами различной длины.
<b>Total Routes</b>	Общее количество маршрутов в таблице маршрутизации.
<b>Best Routes</b>	Количество оптимальных маршрутов в таблице маршрутизации на данный момент. Это количество учитывает только наиболее подходящие маршруты к каждому месту назначения.
<b>Alternate Routes</b>	Количество альтернативных маршрутов в таблице маршрутизации на данный момент. Альтернативный маршрут — это маршрут, который не был определен как оптимальный маршрут к месту назначения.
<b>Route Adds</b>	Количество маршрутов, добавленных в таблицу маршрутизации.
<b>Route Modifies</b>	Количество маршрутов, измененных после того, как они были первоначально добавлены в таблицу маршрутизации.
<b>Route Deletes</b>	Количество маршрутов, которые были удалены из таблицы маршрутизации.
<b>Unresolved Route Adds</b>	Количество добавлений маршрутов, не удавшихся по причине того, что ни один из ближайших узлов не находился в локальной подсети. Обратите внимание: статические маршруты в начале работу могут не добавиться в таблицу маршрутизации, потому что интерфейсы маршрутизации еще не запущены. В этом случае счетчик работает поэтапно. Статические маршруты добавляются в таблицу маршрутизации по мере включения интерфейсов маршрутизации.
<b>Invalid Route Adds</b>	Количество добавлений маршрутов, не удавшихся по причине того, что маршрут был недействительным. Для каждого из таких сбоев выполняется запись в журнале.
<b>Failed Route Adds</b>	Количество добавлений маршрутов, не удавшихся по причине ограничения ресурсов в таблице маршрутизации.
<b>Hardware Failed Route Adds</b>	Количество маршрутов, не добавленных в таблицу маршрутизации по причине ошибки хэша или переполнения таблицы.
<b>Reserved Locals</b>	Количество записей в таблице маршрутизации, зарезервированных для локальной подсети на интерфейсе маршрутизации, который выключен. Место для локальных маршрутов всегда

	резервируется, чтобы они могли быть установлены в случае отказа интерфейса маршрутизации.
<b>Unique Next Hops</b>	Количество отдельных соседних узлов, используемых всеми текущими маршрутами в таблице маршрутизации. Сюда относятся локальные интерфейсы для локальных маршрутов и соседи для непрямых маршрутов
<b>Unique Next Hops High Water</b>	Наибольшее значение количества отдельных соседних узлов с момента последнего обнуления счетчиков.
<b>Next Hop Groups</b>	Текущее количество групп ближайших узлов, используемых одним или несколькими маршрутами. Каждая группа ближайших узлов включает в себя один или несколько соседних узлов.
<b>Next Hop Groups High Water</b>	Наибольшее значение количества групп ближайших узлов с момента последнего обнуления счетчиков.
<b>ECMP Groups</b>	Количество групп соседних узлов с несколькими узлами.
<b>ECMP Routes</b>	Количество маршрутов с несколькими соседними узлами, находящееся в таблице на данный момент.
<b>Truncated ECMP Routes</b>	Количество ECMP-маршрутов с единственным ближайшим узлом, установленных в таблице маршрутизации на данный момент. Таблица маршрутизации может ограничивать количество ECMP-маршрутов или ECMP-групп. Если ECMP-маршрут не удается установить, потому что достигнуто установленное ограничение, маршрут устанавливается с помощью одного ближайшего узла.
<b>ECMP Retries</b>	Количество ECMP-маршрутов, которые были установлены в таблицу маршрутизации после того, как изначально были установлены с единственным ближайшим узлом.
<b>Routes with n Next Hops</b>	Текущее количество маршрутов для каждого количества соседних узлов.

### ***show ipv6 snooping counters***

Эта команда отображает счетчики, связанные с функцией IPv6 RA GUARD. При выводе команды отображается количество анонсов маршрутизатора и переадресованных маршрутизатором пакетов, отброшенных коммутатором глобально из-за включенной функции RA GUARD.

**Формат:** `show ipv6 snooping counters`

**Режимы ввода команд:** привилегированный  
глобальная конфигурация

### ***show ipv6 vlan***

Эта команда отображает адреса виртуальных интерфейсов IPv6-маршрутизации.

**Формат:** `show ipv6 vlan`

**Режимы ввода команд:** привилегированный  
пользовательский

<i>Термин</i>	<i>Значение</i>
MAC Address used by Routing VLANs	Отображает MAC-адрес.

Остальная часть вывода этой команды отображается в виде таблицы со следующими заголовками столбцов:

<i>Заголовок</i>	<i>Значение</i>
VLAN ID	Идентификатор настроенной VLAN.
Logical Interface	Интерфейс, связанный с идентификатором VLAN, в формате unit/slot/port.
IPv6 Address/Prefix Length	IPv6-префикс и длина префикса, связанные с идентификатором VLAN.

### ***show ipv6 traffic***

Используйте эту команду, чтобы отобразить статистику для IPv6 и ICMPv6 трафика. Укажите логический, туннельный или loopback-интерфейс для просмотра информации о трафике на определенном интерфейсе. Аргумент *unit/slot/port* относится к физическому или виртуальному интерфейсу маршрутизации. Ключевое слово **vlan** используется для прямого указания идентификатора VLAN на маршрутизирующем VLAN-интерфейсе (вместо формата *unit/slot/port*). Если интерфейс не указан, команда отображает информацию о трафике на всех интерфейсах.

**Формат:** `show ipv6 traffic [{unit/slot/port|vlan 1-4093} loopback loopback-id | tunnel tunnel-id]`

**Режим ввода команд:** привилегированный

<i>Термин</i>	<i>Значение</i>
Total Datagrams Received	Общее число входных дейтаграмм, полученных интерфейсом, в том числе полученных по ошибке.
Received Datagrams Locally Delivered	Общее количество дейтаграмм, успешно доставленных пользовательским протоколам IPv6 (включая ICMP). Количество учитывается на интерфейсе, к которому были адресованы эти дейтаграммы, причем для некоторых дейтаграмм это не обязательно будет входной интерфейс.
Received Datagrams Discarded Due To Header Errors	Количество входных дейтаграмм, отброшенных из-за ошибок в IPv6-заголовках, в том числе из-за несовпадения номера версии, других ошибок формата, превышения количества хопов, ошибок при обработке IPv6-опций и т. д.
Received Datagrams Discarded Due To MTU	Количество входящих дейтаграмм, которые не могут быть переадресованы из-за превышения размера MTU, настроенного для соединения исходящего

	интерфейса.
<b>Received Datagrams Discarded Due To No Route</b>	Количество отброшенных входящих дейтаграмм по причине невозможности найти маршрут для их передачи по назначению.
<b>Received Datagrams With Unknown Protocol</b>	Количество дейтаграмм, адресованных локально, которые были получены, но отброшены из-за неизвестного или не поддерживаемого протокола. Количество учитывается на интерфейсе, к которому были адресованы эти дейтаграммы, причем для некоторых дейтаграмм это не обязательно будет входной интерфейс.
<b>Received Datagrams Discarded Due To Invalid Address</b>	Количество входящих дейтаграмм, которые были отброшены, потому что IPv6-адрес в поле назначения заголовка не являлся действительным адресом для получения на этом объекте. Это количество включает недействительные адреса (например, ::0) и не поддерживаемые адреса (например, адреса с нераспределенными префиксами). Для объектов, которые не являются IPv6-маршрутизаторами и, следовательно, не пересылают дейтаграммы, в это количество включаются дейтаграммы, отброшенные из-за того, что адрес назначения не являлся локальным адресом.
<b>Received Datagrams Discarded Due To Truncated Data</b>	Количество входящих дейтаграмм, отброшенных из-за того, что кадр дейтаграммы содержал недостаточно данных.
<b>Received Datagrams Discarded Other</b>	Количество входящих IPv6-дейтаграмм, для которых не возникало проблем, мешающих последовательной обработке, но которые были отброшены (например, из-за отсутствия памяти в буфере). Обратите внимание, что этот счетчик не включает дейтаграммы, отброшенные в ожидании повторной сборки.
<b>Received Datagrams Reassembly Required</b>	Количество полученных IPv6-фрагментов, которые требуют повторной сборки на этом интерфейсе. Заметим, что это количество учитывается на интерфейсе, к которому были адресованы эти фрагменты, причем для некоторых фрагментов это не обязательно будет входной интерфейс.
<b>Datagrams Successfully Reassembled</b>	Количество IPv6-дейтаграмм, для которых успешно выполнена повторная сборка. Заметим, что это количество учитывается на интерфейсе, к которому были адресованы эти дейтаграммы, причем для некоторых дейтаграмм это не обязательно будет входной интерфейс.
<b>Datagrams Failed To Reassemble</b>	Число сбоев, обнаруженных алгоритмом повторной сборки IPv6 (по любой причине: истекло время ожидания, возникли ошибки и т. д.). Обратите внимание, что это количество не обязательно означает отброшенные IPv6-фрагменты, так как некоторые способны комбинировать фрагменты по мере поступления. Количество учитывается на

	интерфейсе, к которому были адресованы эти фрагменты, причем для некоторых фрагментов это не обязательно будет входной интерфейс.
<b>Datagrams Forwarded</b>	Количество исходящих дейтаграмм, которые данный объект получил и переадресовал в конечные пункты назначения. В объектах, которые не выступают в роли IPv6-маршрутизаторов, это количество будет включать в себя только те пакеты, которые успешно прошли обработку Source-Route на данном объекте. Обратите внимание, что при успешной переадресации дейтаграммы увеличивается параметр количества на исходящем интерфейсе.
<b>Datagrams Locally Transmitted</b>	Общее количество IPv6-дейтаграмм, которые были переданы локальными пользовательскими IPv6-протоколами (включая ICMP) в запросах на переадресацию. Обратите внимание, что этот счетчик не включает дейтаграммы, подсчитанные как <code>ipv6IfStatsOutForwDatagrams</code> .
<b>Datagrams Transmit Failed</b>	Количество исходящих дейтаграмм, для которых не было обнаружено ни одной проблемы, способной предотвратить их передачу к месту назначения, но которые были отброшены (например, из-за отсутствия буферного пространства). Обратите внимание, что этот счетчик будет включать в себя дейтаграммы, подсчитанные как <code>ipv6IfStatsOutForwDatagrams</code> , если среди них встречаются подходящие
<b>Fragments Created</b>	Количество фрагментов исходящей дейтаграммы, которые были созданы в результате фрагментации на этом выходном интерфейсе.
<b>Datagrams Successfully Fragmented</b>	Количество IPv6-дейтаграмм, которые были успешно фрагментированы на данном выходном интерфейсе.
<b>Datagrams Failed To Fragment</b>	Количество IPv6-дейтаграмм, которые были отброшены, поскольку требовалась их фрагментация на данном выходном интерфейсе, которая не была выполнена.
<b>Fragments Created</b>	Количество фрагментов, которые были созданы.
<b>Multicast Datagrams Received</b>	Количество многоадресных пакетов, принятых интерфейсом.
<b>Multicast Datagrams Transmitted</b>	Количество многоадресных пакетов, переданных интерфейсом.
<b>Total ICMPv6 messages received</b>	Общее количество ICMP-сообщений, принятых интерфейсом, в том числе подсчитанные как <code>ipv6IfIcmpInErrors</code> . Обратите внимание, что речь идет об интерфейсе, к которому были адресованы ICMP-сообщения; это не обязательно будет входной интерфейс для данных сообщений.
<b>ICMPv6 Messages with errors</b>	Количество ICMP-сообщений, которые были приняты на интерфейсе, но определены как имеющие специфичные ICMP-ошибки ( <code>bad ICMP checksums</code> , <code>bad</code>

	length и т. д.).
<b>ICMPv6 Destination Unreachable Messages Received</b>	Количество сообщений ICMP Destination Unreachable, принятых интерфейсом.
<b>ICMPv6 Messages Prohibited Administratively Received</b>	Количество сообщений ICMP Destination Unreachable/Communication Administratively Prohibited, принятых интерфейсом.
<b>ICMPv6 Time Exceeded Messages Received</b>	Количество сообщений ICMP Time Exceeded, принятых интерфейсом.
<b>ICMPv6 Parameter Problem Messages Received</b>	Количество сообщений ICMP Parameter Problem, принятых интерфейсом.
<b>ICMPv6 Packet Too Big Messages Received</b>	Количество сообщений ICMP Packet Too Big, принятых интерфейсом.
<b>ICMPv6 Echo Request Messages Received</b>	Количество запросов ICMP Echo, принятых интерфейсом.
<b>ICMPv6 Router Solicit Messages Received</b>	Количество сообщений ICMP Router Solicit, принятых интерфейсом.
<b>ICMPv6 Neighbor Advertisement Messages Received</b>	Количество сообщений ICMP Neighbor Advertisement, принятых интерфейсом.
<b>ICMPv6 Redirect Messages Received</b>	Количество сообщений ICMP Redirect, принятых интерфейсом.
<b>ICMPv6 Group Membership Query Messages Received</b>	Количество сообщений ICMPv6 Group Membership Query, принятых интерфейсом.
<b>ICMPv6 Group Membership Response Messages Received</b>	Количество сообщений ICMPv6 Group Membership Response, принятых интерфейсом.
<b>ICMPv6 Group Membership Reduction Messages Received</b>	Количество сообщений ICMPv6 Group Membership Reduction, принятых интерфейсом.
<b>Total ICMPv6 Messages Transmitted</b>	Общее количество ICMP-сообщений, которые пытался отправить этот интерфейс. Обратите внимание, что в это количество включены сообщения icmpOutErrors.
<b>ICMPv6 Messages Not Transmitted Due To Error</b>	Количество ICMP-сообщений, которые этот интерфейс не отправил из-за ICMP-проблем, например недостаточного объема буфера. Это значение не должно включать ошибки, обнаруженные вне уровня ICMP, например невозможность IPv6-маршрутизации итоговой дейтаграммы. В некоторых вариантах установки не существует типов ошибок, которые учитывались бы в данном значении.
<b>ICMPv6 Destination Unreachable Messages Transmitted</b>	Количество сообщений ICMP Destination Unreachable, отправленных интерфейсом.
<b>ICMPv6 Messages Prohibited Administratively Transmitted</b>	Количество сообщений ICMP Destination Unreachable/Communication Administratively Prohibited, отправленных интерфейсом.
<b>ICMPv6 Time Exceeded Messages Transmitted</b>	Количество сообщений ICMP Time Exceeded, отправленных интерфейсом.

<b>ICMPv6 Parameter Problem Messages Transmitted</b>	Количество сообщений ICMP Parameter Problem, отправленных интерфейсом.
<b>ICMPv6 Packet Too Big Messages Transmitted</b>	Количество сообщений ICMP Packet Too Big, отправленных интерфейсом.
<b>ICMPv6 Echo Request Messages Transmitted</b>	Количество запросов ICMP Echo, отправленных интерфейсом.
<b>ICMPv6 Echo Reply Messages Transmitted</b>	Количество сообщений ICMP Echo Reply, отправленных интерфейсом.
<b>ICMPv6 Router Solicit Messages Transmitted</b>	Количество сообщений ICMP Router Solicitation, отправленных интерфейсом.
<b>ICMPv6 Router Advertisement Messages Transmitted</b>	Количество сообщений ICMP Router Advertisement, отправленных интерфейсом.
<b>ICMPv6 Neighbor Solicit Messages Transmitted</b>	Количество сообщений ICMP Neighbor Solicitation, отправленных интерфейсом.
<b>ICMPv6 Neighbor Advertisement Messages Transmitted</b>	Количество сообщений ICMP Neighbor Advertisement, отправленных интерфейсом.
<b>ICMPv6 Redirect Messages Received</b>	Количество сообщений Redirect, отправленных интерфейсом.
<b>ICMPv6 Group Membership Query Messages Transmitted</b>	Количество сообщений ICMP Group Membership Query, отправленных интерфейсом.
<b>ICMPv6 Group Membership Response Messages Transmitted</b>	Количество сообщений ICMP Group Membership Response, отправленных интерфейсом.
<b>ICMPv6 Group Membership Reduction Messages Transmitted</b>	Количество сообщений ICMP Group Membership Reduction, отправленных интерфейсом.
<b>ICMPv6 Duplicate Address Detects</b>	Количество дублирующих адресов, обнаруженных интерфейсом.

### ***clear ipv6 route counters***

Команда сбрасывает счетчики таблицы маршрутизации протокола IPv6, указанные в отчете команды *show ipv6 route summary*. Команда сбрасывает только счетчики событий. Счетчики, показывающие текущее состояние таблицы маршрутизации, такие как количество маршрутов каждого типа, не сбрасываются.

**Формат:** `clear ipv6 route counters`

**Режим ввода команд:** привилегированный

### ***clear ipv6 snooping counters***

Данная команда сбрасывает счетчики связанные с функцией IPv6 RA GUARD.

**Формат:** `clear ipv6 snooping counters`

**Режим ввода команд:** привилегированный  
глобальная конфигурация



## **clear ipv6 statistics**

Используйте эту команду, чтобы очистить статистику IPv6 для всех интерфейсов или для конкретного интерфейса, в том числе туннельного, loopback-интерфейса или интерфейса VLAN. Статистика IPv6 отображается в выводе команды `show ipv6 traffic`. Если интерфейс не указан, значения всей статистики трафика IPv6 сбрасываются до нуля.

**Формат:** `clear ipv6 statistics [{unit/slot/port | loopback Loopback-id | tunnel tunnel-id | vlan id}]`

**Режим ввода команд:** привилегированный

<i>Термин</i>	<i>Значение</i>
Local	Приоритет непосредственно подключенных маршрутов.
Static	Приоритет статических маршрутов.
OSPF Intra	Приоритет маршрутов в пределах OSPF-зоны.
OSPF Inter	Приоритет маршрутов относительно других OSPF-маршрутов, которые находятся за пределами зоны.
OSPF External	Приоритет внешних OSPF-маршрутов.
BGP External	Приоритет внешних BGP-маршрутов.
BGP Internal	Приоритет маршрутов относительно других BGP-маршрутов, которые находятся за пределами зоны.
BGP Local	Приоритет маршрутов в пределах BGP-зоны.

## **12.5 Команды настройки OSPFv3<sup>1</sup>**

В этом разделе описаны команды, используемые для просмотра и настройки OSPF — протокола маршрутизации, который используется для маршрутизации трафика в сети.

### **Команды глобальной настройки OSPFv3**

#### **ipv6 router ospf**

Используйте эту команду, чтобы войти в режим конфигурирования OSPFv3-маршрутизатора.

**Формат:** `router ospf`

**Режим ввода команд:** глобальная конфигурация

#### **area default-cost**

Эта команда настраивает значение стоимости по умолчанию для stub-зоны. Оператор должен указать идентификатор зоны и целое значение в диапазоне 1–16 777 215.

**Формат:** `area areaid default-cost 1-16777215`

**Режим ввода команд:** конфигурирование OSPFv3-маршрутизатора

<sup>1</sup> Данный функционал доступен при наличии лицензии OSPFv3. Для активации свяжитесь со службой технической поддержки.

### ***area nssa***

Эта команда настраивает зону с указанным идентификатором в качестве NSSA.

**Формат:** `area areaid nssa`  
**Режим ввода команд:** конфигурирование OSPFv3-маршрутизатора

#### *no area nssa*

Эта команда выключает NSSA для указанного идентификатора зоны.

**Формат:** `no area areaid nssa`  
**Режим ввода команд:** конфигурирование OSPFv3-маршрутизатора

### ***area nssa default-info-originate***

Эта команда настраивает значение метрики и тип маршрута по умолчанию, анонсируемый в NSSA. Необязательный параметр `metric` определяет метрику маршрута по умолчанию и должен быть в диапазоне от 1 до 16 777 214. Если метрика не указана, значение по умолчанию — 10. Тип метрики может быть сопоставимым (`nssa-external 1`) или несопоставимым (`nssa-external 2`).

**Формат:** `area areaid nssa default-info-originate [metric] [{comparable | non-comparable}]`  
**Режим ввода команд:** конфигурирование OSPFv3-маршрутизатора

#### *no area nssa default-info-originate*

Команда выключает маршрут по умолчанию, анонсируемый в NSSA.

**Формат:** `no area areaid nssa default-info-originate [metric] [{comparable | non-comparable}]`  
**Режим ввода команд:** конфигурирование OSPFv3-маршрутизатора

### ***area nssa no- redistribute***

Эта команда настраивает NSSA ABR так, чтобы изученные внешние маршруты не были перераспределены в NSSA.

**Формат:** `area areaid nssa no- redistribute`  
**Режим ввода команд:** конфигурирование OSPFv3-маршрутизатора

#### *no area nssa no- redistribute*

Эта команда выключает NSSA ABR так, чтобы изученные внешние маршруты перераспределялись в NSSA.

**Формат:** `no area areaid nssa no- redistribute`  
**Режим ввода команд:** конфигурирование OSPFv3-маршрутизатора

### ***area nssa no- summary***

Эта команда настраивает NSSA так, что суммарные LSA не анонсируются в NSSA.

**Формат:** `area areaid nssa no-summary`  
**Режим ввода команд:** конфигурирование OSPFv3-маршрутизатора

*no area nssa no-summary*

Эта команда выключает запрет анонсирования суммарных LSA в NSSA.

**Формат:** `no area areaid nssa no-summary`  
**Режим ввода команд:** конфигурирование OSPFv3-маршрутизатора

### ***area nssa translator-role***

Данная команда настраивает NSSA в роли транслятора. Значение *always* заставляет маршрутизатор принять роль транслятора, как только он станет пограничным маршрутизатором, а значение *candidate* вынуждает маршрутизатор участвовать в процессе выборов, когда он достигает статуса пограничного маршрутизатора.

**Формат:** `area areaid nssa translator-role {always | candidate}`  
**Режим ввода команд:** конфигурирование OSPFv3-маршрутизатора

*no area nssa translator-role*

Данная команда выключает роль транслятора NSSA из указанного идентификатора зоны.

**Формат:** `no area areaid nssa translator-role {always | candidate}`  
**Режим ввода команд:** конфигурирование OSPFv3-маршрутизатора

### ***area nssa translator-stab-intv***

Эта команда настраивает *stabilityinterval* для транслятора NSSA. *stabilityinterval* — это период времени, в течение которого выбранный транслятор продолжает выполнять свои обязанности после определения факта, что его статус транслятора был замещен другим маршрутизатором.

**Формат:** `area areaid nssa translator-stab-intv stabilityinterval`  
**Режим ввода команд:** конфигурирование OSPFv3-маршрутизатора

*no area nssa translator-stab-intv*

Эта команда возвращает *stabilityinterval* транслятора NSSA в значение по умолчанию

**Формат:** `no area areaid nssa translator-stab-intv stabilityinterval`  
**Режим ввода команд:** конфигурирование OSPFv3-маршрутизатора

### ***area range***

Используйте эту команду, чтобы настроить суммарный префикс, который пограничный маршрутизатор зоны будет анонсировать в определенной зоне.

**Значение по умолчанию:** диапазоны зон не настроены; затраты не настроены.

**Формат:** `area area-id range prefix netmask  
{summarylink | nssaexternallink}  
[advertise | not-advertise] [cost  
cost]`

<i>Термин</i>	<i>Значение</i>
<b>area-id</b>	Идентификатор зоны для зоны, сети которой будут суммироваться.
<b>prefix netmask</b>	Суммарный префикс, анонсируемый, когда ABR вычисляет маршрут к одной или нескольким сетям в пределах этого префикса в данной зоне.
<b>summarylink</b>	Если указано это ключевое слово, суммируются префиксы анонсируемые в LSA типа 3.
<b>nssaexternallink</b>	Если указано это ключевое слово, суммируются префиксы при трансляции LSA типа 7 в тип 5.
<b>advertise</b>	(Необязательный параметр.) Если указано это ключевое слово, суммарный префикс анонсируется, если активны вложенные префиксы для указанного диапазона префиксов. Это значение используется по умолчанию.
<b>not-advertise</b>	(Необязательный параметр.) Если указано это ключевое слово, ни суммарные, ни вложенные префиксы не анонсируются, если активны вложенные префиксы для указанного диапазона префиксов. Если указана опция not-advertise, любые статические значения стоимости, настроенные ранее, удаляются из конфигурации системы.
<b>cost</b>	(Необязательный параметр.) Если указана стоимость, OSPF устанавливает поле метрики в суммированной LSA в настроенное значение вместо установки метрики на наибольшую стоимость среди сетей в диапазоне префиксов зоны.

### *no area range*

Используйте **no**-форму данной команды, чтобы удалить суммарный префикс или удалить статическую стоимость.

**Формат:** `no area areaid range prefix netmask {summarylink | nssaexternallink} cost`

**Режим ввода команд:** конфигурирование OSPFv3-маршрутизатора

### *area stub*

Эта команда создает stub-зону для указанного идентификатора зоны. Stub-зона характеризуется тем, что внешние AS LSA в ней не распространяются. Удаление внешних AS LSA и суммарных LSA может существенно ухудшить состояние связи для базы данных маршрутизаторов в stub-зоне.

**Формат:** `area areaid stub`

**Режим ввода команд:** конфигурирование OSPFv3-маршрутизатора

### *no area stub*

Эта команда удаляет stub-зону для указанного идентификатора зоны.

**Формат:** `no area areaid stub`  
**Режим ввода команд:** конфигурирование OSPFv3-маршрутизатора

### *area stub no-summary*

Эта команда выключает импорт суммарных LSA для stub-зоны, заданной параметром *areaid*.

**Значение по умолчанию:** включено  
**Формат:** `area areaid stub no-summary`  
**Режим ввода команд:** конфигурирование OSPFv3-маршрутизатора

### *no area stub no-summary*

Эта команда устанавливает в значение по умолчанию режим импорта суммарных LSA для stub-зоны, заданной параметром *areaid*.

**Формат:** `no area areaid stub summarylsa`  
**Режим ввода команд:** конфигурирование OSPFv3-маршрутизатора

### *area virtual-link*

Данная команда создает виртуальный интерфейс OSPF для указанного *areaid* или *neighbor*. Параметр *neighbor*— это идентификатор маршрутизатора соседнего устройства.

**Формат:** `area areaid virtual-link neighbor`  
**Режим ввода команд:** конфигурирование OSPFv3-маршрутизатора

### *no area virtual-link*

Эта команда удаляет виртуальный интерфейс OSPF для указанного интерфейса *areaid* или *neighbor*. Параметр *neighbor* — это идентификатор маршрутизатора соседнего устройства.

**Формат:** `no area areaid virtual-link neighbor`  
**Режим ввода команд:** конфигурирование OSPFv3-маршрутизатора

### *area virtual-link dead-interval*

Эта команда настраивает Dead-интервал для виртуального интерфейса OSPF, определяемом *areaid* и *neighbor*. Параметр *neighbor* — это идентификатор маршрутизатора соседнего устройства. Диапазон значений для *seconds* — от 1 до 65 535.

**Значение по умолчанию:** 40  
**Формат:** `area areaid virtual-link neighbor dead-interval seconds`  
**Режим ввода команд:** конфигурирование OSPFv3-маршрутизатора

### *no area virtual-link dead-interval*

Команда устанавливает Dead-интервал в значение по умолчанию для виртуального интерфейса OSPF, определяемом *areaid* и *neighbor*. Параметр *neighbor* — это идентификатор маршрутизатора соседнего устройства.

**Формат:** `no area areaid virtual-link neighbor dead-interval`

**Режим ввода команд:** конфигурирование OSPFv3-маршрутизатора

### *area virtual-link hello-interval*

Эта команда настраивает Hello-интервал для виртуального интерфейса OSPF, определяемом *areaid* и *neighbor*. Параметр *neighbor* — это идентификатор маршрутизатора соседнего устройства. Диапазон значений для *seconds* — от 1 до 65 535.

**Значение по умолчанию:** 10

**Формат:** `area areaid virtual-link neighbor hello-interval seconds`

**Режим ввода команд:** конфигурирование OSPFv3-маршрутизатора

### *no area virtual-link hello-interval*

Команда устанавливает в значение по умолчанию Hello-интервал для виртуального интерфейса OSPF, определяемом *areaid* и *neighbor*. Параметр *neighbor* — это идентификатор маршрутизатора соседнего устройства.

**Формат:** `no area areaid virtual-link neighbor hello-interval`

**Режим ввода команд:** конфигурирование OSPFv3-маршрутизатора

### *area virtual-link retransmit-interval*

Данная команда настраивает интервал повторной передачи для виртуального интерфейса OSPF, определяемом *areaid* и *neighbor*. Параметр *neighbor* — это идентификатор маршрутизатора соседнего устройства. Диапазон значений для *seconds* — от 0 до 3600.

**Значение по умолчанию:** 5

**Формат:** `area areaid virtual-link neighbor retransmit-interval seconds`

**Режим ввода команд:** конфигурирование OSPFv3-маршрутизатора

### *no area virtual-link retransmit-interval*

Эта команда устанавливает в значение по умолчанию интервал повторной передачи для виртуального интерфейса OSPF, определяемом *areaid* и *neighbor*. Параметр *neighbor* — это идентификатор маршрутизатора соседнего устройства.

**Формат:** `no area areaid virtual-link neighbor retransmit-interval`

**Режим ввода команд:** конфигурирование OSPFv3-маршрутизатора

### ***area virtual-link transmit-delay***

Данная команда настраивает задержку передачи для виртуального интерфейса OSPF, определяемом *areaid* и *neighbor*. Параметр *neighbor* — это идентификатор маршрутизатора соседнего устройства. Диапазон секунд составляет от 0 до 3600 (1 час).

**Значение по умолчанию:** 1  
**Формат:** `area areaid virtual-link neighbor transmit-delay seconds`  
**Режим ввода команд:** конфигурирование OSPFv3-маршрутизатора

### ***no area virtual-link transmit-delay***

Данная команда настраивает задержку передачи по умолчанию для виртуального интерфейса OSPF, определяемом *areaid* и *neighbor*. Параметр *neighbor* — это идентификатор маршрутизатора соседнего устройства.

**Формат:** `no area areaid virtual-link neighbor transmit-delay`  
**Режим ввода команд:** конфигурирование OSPFv3-маршрутизатора

### ***auto-cost***

По умолчанию OSPF рассчитывает стоимость соединения для каждого интерфейса на основании пропускной способности интерфейса. Быстрые соединения имеют более низкие метрики, что повышает их приоритет при выборе маршрута. Параметры настройки в командах *auto-cost reference bandwidth* и *bandwidth* предоставляют возможность управлять стоимостью соединения по умолчанию. Можно настроить для OSPF пропускную способность интерфейса независимо от фактической скорости соединения. Второй параметр настройки позволяет контролировать соотношение пропускной способности интерфейса к стоимости соединения. Стоимость соединения рассчитывается как соотношение эталонной пропускной способности к пропускной способности интерфейса ( $ref\_bw / interface\ bandwidth$ ), при этом пропускная способность интерфейса устанавливается командой *bandwidth*. Поскольку по умолчанию эталонная пропускная способность составляет 100 Мбит/с, OSPF использует одинаковую стоимость соединения по умолчанию для всех интерфейсов, пропускная способность которых равна или более 100 Мбит/с. Команда *auto-cost* позволяет изменить эталонную пропускную способность, указав ее значение в Мбит/с. Значение эталонной пропускной способности может быть от 1 до 4 294 967 Мбит/с.

**Значение по умолчанию:** 100 Мбит/с  
**Формат:** `auto-cost reference-bandwidth 1-4294967`  
**Режим ввода команд:** конфигурирование OSPFv3-маршрутизатора

### ***no auto-cost reference-bandwidth***

Используйте эту команду, чтобы установить эталонную пропускную способность в значение по умолчанию.

**Формат:** `no auto-cost reference-bandwidth`  
**Режим ввода команд:** конфигурирование OSPFv3-маршрутизатора

### ***clear ipv6 ospf***

Команда позволяет выключить и повторно включить протокол OSPF.

**Формат:** `clear ipv6 ospf`  
**Режим ввода команд:** привилегированный

### ***clear ipv6 ospf configuration***

Используйте эту команду, чтобы сбросить конфигурацию OSPF к заводским настройкам.

**Формат:** `clear ipv6 ospf configuration`  
**Режим ввода команд:** привилегированный

### ***clear ipv6 ospf counters***

Данная команда сбрасывает статистику на глобальном уровне и уровне интерфейса.

**Формат:** `clear ipv6 ospf counters`  
**Режим ввода команд:** привилегированный

### ***clear ipv6 ospf neighbor***

Используйте эту команду, чтобы сбросить соседство со всеми OSPF-соседями. На каждый соседний интерфейс отправляется одностороннее сообщение «Hello». После этого соседство переустанавливается. Чтобы сбросить соседство с определенным маршрутизатором, необходимо указать идентификатор соседнего маршрутизатора, используя необязательный параметр `[neighbor-id]`.

**Формат:** `clear ipv6 ospf neighbor [neighbor-id]`  
**Режим ввода команд:** привилегированный

### ***clear ipv6 ospf neighbor interface***

Чтобы сбросить соседство со всеми соседями для указанного интерфейса, используйте необязательный параметр `[unit/slot/port]`. Аргумент `unit/slot/port` относится к физическому или виртуальному интерфейсу маршрутизации. Ключевое слово **vlan** используется для прямого указания идентификатора VLAN на маршрутизирующем VLAN-интерфейсе (вместо формата `unit/slot/port`). Чтобы сбросить соседство с определенным идентификатором маршрутизатора на указанном интерфейсе, используйте необязательный параметр `[neighbor-id]`.

**Формат:** `clear ipv6 ospf neighbor interface [unit/slot/port|vlan 1-4093] [neighbor-id]`  
**Режим ввода команд:** привилегированный

### ***clear ipv6 ospf redistribution***

Команда позволяет очистить все сгенерированные внешние LSA. По мере необходимости можно повторно применить настройки перераспределения и создать префиксы.

**Формат:** `clear ipv6 ospf redistribution`  
**Режим ввода команд:** привилегированный



### ***default-information originate***

Эта команда используется, чтобы управлять анонсами маршрутов по умолчанию.

**Значение по умолчанию:** метрика — не определена;

тип — 2

**Формат:** `default-information originate [always] [metric 0-16777214] [metric-type {1 | 2}]`

**Режим ввода команд:** конфигурирование OSPFv3-маршрутизатора

### ***no default-information originate***

Эта команда используется, чтобы управлять анонсами маршрутов по умолчанию.

**Формат:** `no default-information originate [metric] [metric-type]`

**Режим ввода команд:** конфигурирование OSPFv3-маршрутизатора

### ***default-metric***

Данная команда используется, чтобы установить значения по умолчанию для метрик распределенных маршрутов.

**Формат:** `default-metric 1-16777214`

**Режим ввода команд:** конфигурирование OSPFv3-маршрутизатора

### ***no default-metric***

Данная команда используется, чтобы установить значения по умолчанию для метрик распределенных маршрутов.

**Формат:** `no default-metric`

**Режим ввода команд:** конфигурирование OSPFv3-маршрутизатора

### ***distance ospf***

Эта команда устанавливает значение приоритета для типов OSPF-маршрутов на маршрутизаторе. При определении оптимального маршрута предпочтение отдается более низким значениям приоритета маршрута. Тип OSPF-маршрута может обозначаться как *intra*, *inter* или *external*. Всем маршрутам типа *external* присваивается одинаковое значение приоритета. Диапазон значений для *preference* — от 1 до 255.

**Значение по умолчанию:** 110

**Формат:** `distance ospf {intra-area 1-255 | inter-area 1-255 | external 1-255}`

**Режим ввода команд:** конфигурирование OSPFv3-маршрутизатора

### ***no distance ospf***

Эта команда устанавливает приоритет OSPF-маршрута на маршрутизаторе в значение по умолчанию. Тип OSPF-маршрута может обозначаться как *intra*, *inter* или *external*. Всем маршрутам типа *external* присваивается одинаковое значение приоритета.

**Формат:** no distance ospf {intra-area | inter-area | external}

**Режим ввода команд:** конфигурирование OSPFv3-маршрутизатора

### ***enable***

Эта команда устанавливает административный режим OSPF-маршрутизатора в значение по умолчанию (активен).

**Значение по умолчанию:** включено

**Формат:** enable

**Режим ввода команд:** конфигурирование OSPFv3-маршрутизатора

*no enable*

Эта команда устанавливает административный режим OSPF-маршрутизатора как неактивный.

**Формат:** no enable

**Режим ввода команд:** конфигурирование OSPFv3-маршрутизатора

### ***exit-overflow-interval***

Данная команда настраивает интервал выхода из режима переполнения для OSPF. Он обозначает время в секундах после входа в состояние переполнения, в течение которого маршрутизатор выжидает и не пытается выходить из этого состояния. Это позволяет маршрутизатору снова создать AS-external-LSA не по умолчанию. Если интервал установлен как 0, маршрутизатор не пытается самостоятельно выходить из состояния переполнения и требует перезапуска. Диапазон значений для *seconds* — от 0 до 2 147 483 647 секунд.

**Значение по умолчанию:** 0

**Формат:** exit-overflow-interval *seconds*

**Режим ввода команд:** конфигурирование OSPFv3-маршрутизатора

*no exit-overflow-interval*

Эта команда устанавливает интервал выхода из режима переполнения для OSPF в значение по умолчанию.

**Формат:** no exit-overflow-interval

**Режим ввода команд:** конфигурирование OSPFv3-маршрутизатора

### ***external-lsdb-limit***

Эта команда настраивает ограничение внешних LSDB для OSPF. Если значение установлено как -1, ограничений не существует. Если количество AS-external-LSA не по умолчанию в базе данных состояния соединения маршрутизатора достигает ограничения LSDB, маршрутизатор входит в состояние переполнения. Маршрутизатор никогда не хранит в базе данных AS-external-LSA, превышающие по количеству установленное LSDB-ограничение. Ограничение для внешних LSDB должно быть установлено на одном уровне на всех маршрутизаторах, подключенных к OSPF-магистральной и/или любой обычной OSPF-зоне. Диапазон значений для *limit* — от -1 до 2 147 483 647.

**Значение по умолчанию:** -1

**Формат:** external-lsdb-limit *limit*  
**Режим ввода команд:** конфигурирование OSPFv3-маршрутизатора

### *no external-lsdb-limit*

Эта команда устанавливает ограничение внешних LSDB для OSPF в значение по умолчанию.

**Формат:** no external-lsdb-limit  
**Режим ввода команд:** конфигурирование OSPFv3-маршрутизатора

### *maximum-paths*

Эта команда устанавливает количество путей для заданного места назначения, о которых OSPF может сообщать.

**Значение по умолчанию:** 4  
**Формат:** maximum-paths *maxpaths*  
**Режим ввода команд:** конфигурирование OSPFv3-маршрутизатора

### *no maximum-paths*

Данная команда устанавливает количество путей для заданного места назначения, о которых OSPF может сообщать, в значение по умолчанию.

**Формат:** no maximum-paths  
**Режим ввода команд:** конфигурирование OSPFv3-маршрутизатора

### *passive-interface default*

Используйте эту команду, чтобы включить глобальный пассивный режим по умолчанию для всех интерфейсов. Команда перезаписывает любой уровень пассивного режима интерфейса. OSPF не будет формировать соседство через пассивные интерфейсы.

**Значение по умолчанию:** выключено  
**Формат:** passive-interface default  
**Режим ввода команд:** конфигурирование OSPFv3-маршрутизатора

### *no passive-interface default*

Эта команда выключает глобальный пассивный режим по умолчанию для всех интерфейсов. Любой интерфейс, ранее настроенный на пассивный режим, по исполнению команды выходит из него.

**Формат:** no passive-interface default  
**Режим ввода команд:** конфигурирование OSPFv3-маршрутизатора

### *passive-interface*

Используйте эту команду, чтобы настроить стандартный или туннельный интерфейс как пассивный. Аргумент *unit/slot/port* относится к физическому или виртуальному интерфейсу маршрутизации. Ключевое слово **vlan** используется для прямого указания идентификатора VLAN на

маршрутизирующем VLAN-интерфейсе (вместо формата *unit/slot/port*). Команда перезаписывает глобальный пассивный режим, который уже действует на стандартном или туннельном интерфейсе.

**Значение по умолчанию:** выключено  
**Формат:** `passive-interface {unit/slot/port|vlan 1-4093|tunnel tunnel-id}`  
**Режим ввода команд:** конфигурирование OSPFv3-маршрутизатора

### *no passive-interface*

Используйте эту команду, чтобы установить интерфейс или туннель как непассивный. Команда перезаписывает глобальный пассивный режим, который уже действует на стандартном или туннельном интерфейсе.

**Формат:** `no passive-interface {unit/slot/port|vlan 1-4093|tunnel tunnel-id}`  
**Режим ввода команд:** конфигурирование OSPFv3-маршрутизатора

### *redistribute*

Эта команда настраивает OSPFv3-протокол на разрешение перераспределения маршрутов от указанных передающих протоколов/маршрутизаторов. При использовании ключевого слова `bgp` для перераспределения BGP-маршрутов в OSPFv3 перераспределены будут только внешние маршруты.

**Значение по умолчанию:** метрика — не определена;  
тип — 2;  
тег — 0.  
**Формат:** `redistribute {static | connected | bgp} [metric 0-16777214] [metric-type {1 | 2}] [tag 0-4294967295]`  
**Режим ввода команд:** конфигурирование OSPFv3-маршрутизатора

### *no redistribute*

Эта команда настраивает OSPF-протокол на запрет перераспределения маршрутов от указанных передающих протоколов/маршрутизаторов.

**Формат:** `no redistribute {static | connected} [metric] [metric-type] [tag]`  
**Режим ввода команд:** конфигурирование OSPFv3-маршрутизатора

### *router-id*

Эта команда устанавливает уникальный идентификатор OSPF-маршрутизатора.

**Формат:** `router-id ipaddress`  
**Режим ввода команд:** конфигурирование OSPFv3-маршрутизатора

### ***timers pacing lsa-group***

Используйте эту команду для настройки групп LSA в OSPFv3 для периодического обновления. OSPFv3 обновляет сгенерированные LSA приблизительно каждые 30 минут. Когда OSPFv3 обновляет LSA, он учитывает все сгенерированные LSA, период существования которых составляет от 1800 до 1800 плюс размер интервала группы. Группировка LSA для обновления позволяет OSPFv3 объединять обновляемые LSA в минимальное количество пакетов LS Update. Сокращение количества пакетов LS Update делает распространение LSA более эффективным.

Если OSPFv3 генерирует новый или измененный LSA, он выбирает для него случайную задержку обновления. По истечении задержки обновления OSPFv3 обновляет LSA. Выбирая случайную задержку обновления, OSPFv3 избегает обновления большого количества LSA за один раз, даже если таковые возникли в одно время.

Параметр `seconds` — это продолжительность окна, за которое обновляются LSA. Диапазон — от 10 до 1800 секунд.

**Значение по умолчанию:** 60 секунд  
**Формат:** `timers pacing lsa-group seconds`  
**Режим ввода команд:** привилегированный

### ***no timers pacing lsa-group***

Данная команда возвращает параметр LSA Group Pacing к заводским настройкам (60 секунд).

**Формат:** `no timers pacing lsa-group`  
**Режим ввода команд:** привилегированный

### ***timers throttle spf***

Изначально интервал ожидания установлен на величину задержки, определенную значением `spf-hold`. Если в ходе текущего интервала ожидания расчет SPF не планируется, следующий расчет SPF будет запланирован через период задержки `spf-start`. Если в ходе текущего интервала ожидания расчет SPF был запланирован, значение интервала ожидания будет каждый раз устанавливаться в два раза больше текущего значения, пока интервал ожидания не достигнет максимального времени в миллисекундах, заданного параметром `spf-maximum`. В дальнейшем интервал ожидания будет сохранять максимальное значение, пока это значение не будет сброшено или не будет получен LSA между расчетами SPF.

**Значение по умолчанию:** `spf-start = 2000 мс;`  
`spf-hold = 5000 мс;`  
`spf-maximum = 5000 мс.`  
**Формат:** `timers throttle spf spf-start spf-hold spf-maximum`  
**Режим ввода команд:** привилегированный

<b>Параметр</b>	<b>Описание</b>
<b>spf-start</b>	Указывает задержку расписания SPF в миллисекундах, если расчет SPF не был запланирован в ходе текущего интервала ожидания. Диапазон значений составляет от 1 до 600 000 миллисекунд.

<b>spf-hold</b>	Указывает начальный период ожидания для SPF в миллисекундах. Диапазон значений составляет от 1 до 600 000 миллисекунд.
<b>spf-maximum</b>	Указывает максимальный период ожидания для SPF в миллисекундах. Диапазон значений составляет от 1 до 600 000 миллисекунд.

### *no timers throttle spf*

Данная команда возвращает параметры SPF-ограничений к заводским настройкам.

**Формат:** `no timers throttle spf`

**Режим ввода команд:** привилегированный

### *trapflags*

Используйте данную команду, чтобы включить индивидуальные OSPF-трапы, одновременно включить группу флагов для трапов или одновременно включить все флаги для трапов. Различные группы флагов для трапов и отдельные флаги для трапов (OSPFv3) каждой группы перечислены в таблице ниже.

<b>Группа</b>	<b>Флаги</b>
<b>errors</b>	<ul style="list-style-type: none"> <li>• authentication-failure</li> <li>• bad-packet</li> <li>• config-error</li> <li>• virt-authentication-failure</li> <li>• virt-bad-packet</li> <li>• virt-config-error</li> </ul>
<b>lsa</b>	<ul style="list-style-type: none"> <li>• lsa-maxage</li> <li>• lsa-originate</li> </ul>
<b>overflow</b>	<ul style="list-style-type: none"> <li>• lsdb-overflow</li> <li>• lsdb-approaching-overflow</li> </ul>
<b>retransmit</b>	<ul style="list-style-type: none"> <li>• packets</li> <li>• virt-packets</li> </ul>
<b>state-change</b>	<ul style="list-style-type: none"> <li>• if-state-change</li> <li>• neighbor-state-change</li> <li>• virtif-state-change</li> <li>• virtneighbor-state-change</li> </ul>

- Чтобы включить отдельный флаг, введите group name и затем выбранный флаг.
- Чтобы включить все флаги группы, введите имя группы и ключевое слово all.
- Чтобы включить все флаги, введите команду trapflags all.

**Значение по умолчанию:** выключено

**Формат:** `trapflags { all | errors {all | authentication-failure | bad-packet | config-error | virt- authentication-failure | virt-bad-packet | virt-config-error} |lsa {all | lsa-maxage | lsa-originate} |overflow {all | lsdB-overflow | lsdB-approaching-overflow} | retransmit {all | packets | virt-packets} |state-change {all | if-state-change | neighbor-state-change | virtif-state-change | virtneighbor-state-change}}`

**Режим ввода команд:** конфигурирование OSPFv3-маршрутизатора

### ***no trapflags***

Команда устанавливает настройки OSPF-трапов и соответствующих флагов в значение по умолчанию.

- Чтобы выключить отдельный флаг, введите `group name` и затем выбранный флаг.
- Чтобы выключить все флаги группы, введите имя группы и ключевое слово `all`.
- Чтобы выключить все флаги, введите команду с указанием `trapflags all`.

**Формат:** `no trapflags { all | errors {all | authentication-failure | bad-packet | config-error | virt- authentication-failure | virt-bad-packet | virt-config-error} |lsa {all | lsa-maxage | lsa-originate} |overflow {all | lsdB-overflow | lsdB-approaching-overflow} | retransmit {all | packets | virt-packets} |state-change {all | if-state-change | neighbor-state-change | virtif-state- change | virtneighbor-state-change}}`

**Режим ввода команд:** конфигурирование OSPFv3-маршрутизатора

## ***Команды OSPFv3-интерфейса***

### ***ipv6 ospf area***

Эта команда устанавливает зону OSPF, к которой принадлежит указанный интерфейс маршрутизатора или диапазон интерфейсов. Она также включает OSPF на указанном интерфейсе маршрутизатора или диапазоне интерфейсов. Параметр *area* — это 32-битное значение, представленное IPv4-адресом или десятичным значением в диапазоне от 0 до 4 294 967 295. Параметр *area* уникальным образом идентифицирует зону, к которой подключен интерфейс. Присвоение идентификатора несуществующей зоне приводит к созданию этой зоны с настройками по умолчанию.

**Формат:** `ipv6 ospf area 0-4294967295`

**Режим ввода команд:** конфигурирование интерфейса

### ***ipv6 ospf cost***

Данная команда настраивает стоимость на OSPF-интерфейсе или диапазоне интерфейсов. Параметр *cost* имеет диапазон от 1 до 65 535.

**Значение по умолчанию:** 10

**Формат:** `ipv6 ospf cost 1-65535`

**Режим ввода команд:** конфигурирование интерфейса

### *no ipv6 ospf cost*

Эта команда устанавливает стоимость на OSPF-интерфейсе в значение по умолчанию.

**Формат:** `no ipv6 ospf cost`  
**Режим ввода команд:** конфигурирование интерфейса

### *ipv6 ospf dead-interval*

Эта команда настраивает Dead-интервал OSPF для указанного интерфейса или диапазона интерфейсов. Параметр *seconds* — это действительное положительное целое число, время в секундах, в течение которого пакеты Hello не отправляются с маршрутизатора до того момента, пока соседние маршрутизаторы не объявляют, что маршрутизатор выключен. Значение Dead-интервала должно быть одинаковым для всех маршрутизаторов, подключенных к общей сети. Это значение должно быть кратно Hello-интервалу (т. е. 4). Диапазон допустимых значений для *seconds* — от 1 до 2 147 483 647.

**Значение по умолчанию:** 40  
**Формат:** `ipv6 ospf dead-interval 1-2147483647`  
**Режим ввода команд:** конфигурирование интерфейса

### *no ipv6 ospf dead-interval*

Эта команда устанавливает Dead-интервал OSPF для указанного интерфейса или диапазона интерфейсов в значение по умолчанию.

**Формат:** `no ipv6 ospf dead-interval`  
**Режим ввода команд:** конфигурирование интерфейса

### *ipv6 ospf hello-interval*

Данная команда устанавливает Hello-интервал OSPF для указанного интерфейса. Значение для *seconds* — это действительное положительное целое число, время в секундах. Значение Hello-интервала должно быть одинаковым для всех маршрутизаторов, подключенных к общей сети. Диапазон допустимых значений для *seconds* — от 1 до 65 535.

**Значение по умолчанию:** 10  
**Формат:** `ipv6 ospf hello-interval seconds`  
**Режим ввода команд:** конфигурирование интерфейса

### *no ipv6 ospf hello-interval*

Эта команда устанавливает Hello-интервал OSPF для указанного интерфейса в значение по умолчанию.

**Формат:** `no ipv6 ospf hello-interval`  
**Режим ввода команд:** конфигурирование интерфейса



### ***ipv6 ospf link-lsa-suppression***

Используйте эту команду, чтобы включить на интерфейсе функцию Link LSA Suppression. Когда Link LSA Suppression включена на интерфейсе двухточечного соединения, пакеты протокола Link LSA на интерфейсе не создаются и не транслируются. Эта конфигурация относится только к интерфейсам двухточечного соединения.

**Значение по умолчанию:** False  
**Формат:** ipv6 ospf link-lsa-suppression  
**Режим ввода команд:** привилегированный

### ***no ipv6 ospf link-lsa-suppression***

Данная команда выключает функцию Link LSA Suppression на интерфейсе. Когда Link LSA Suppression выключена, пакеты протокола Link LSA на интерфейсе двухточечного соединения создаются и транслируются.

**Формат:** no ipv6 ospf link-lsa-suppression  
**Режим ввода команд:** привилегированный

### ***ipv6 ospf mtu-ignore***

Эта команда выключает OSPF-обнаружение несоответствия MTU на интерфейсе или диапазоне интерфейсов. Пакеты OSPF Database Description задают размер наибольшего IP-пакета, который может быть отправлен на интерфейсе без фрагментации. Если маршрутизатор получает пакет Database Description, он проверяет значение MTU, анонсируемое соседом. По умолчанию, если MTU больше, чем маршрутизатор может принять, пакет Database Description отбрасывается и OSPF-соседство не устанавливается.

**Значение по умолчанию:** включено  
**Формат:** ipv6 ospf mtu-ignore  
**Режим ввода команд:** конфигурирование интерфейса

### ***no ipv6 ospf mtu-ignore***

Эта команда включает OSPF-обнаружение несоответствия MTU.

**Формат:** no ipv6 ospf mtu-ignore  
**Режим ввода команд:** конфигурирование интерфейса

### ***ipv6 ospf network***

Эта команда изменяет тип OSPF-сети по умолчанию для интерфейса или диапазона интерфейсов. Как правило, тип сети определяется на основании физического типа IP-сети. По умолчанию все сети Ethernet в OSPF определяются как тип broadcast. Аналогичным образом, туннельные интерфейсы по умолчанию относятся к типу point-to-point. Когда порт Ethernet используется как одна большая полоса пропускания IP-сети между двумя маршрутизаторами, тип сети может быть определен как point-to-point, поскольку используются только два маршрутизатора. Используя тип сети point-to-point, можно избежать проблем с выбором назначенного OSPF-

маршрутизатора. Значение типа `broadcast` для туннельных интерфейсов, как правило, не используется.

**Значение по умолчанию:** `broadcast`  
**Формат:** `ipv6 ospf network {broadcast | point-to-point}`  
**Режим ввода команд:** конфигурирование интерфейса

### *no ipv6 ospf network*

Данная команда устанавливает тип интерфейса в значение по умолчанию.

**Формат:** `no ipv6 ospf network {broadcast | point-to-point}`  
**Режим ввода команд:** конфигурирование интерфейса

### *ipv6 ospf prefix-suppression*

Эта команда подавляет анонсирование всех IPv6-префиксов, связанных с интерфейсом, кроме префиксов, связанных с вторичными IPv6-адресами. Данная команда перекрывает глобальную конфигурацию. Если данная конфигурация не определена, применяется конфигурация глобального подавления префиксов.

Подавление префиксов может быть выключено на уровне интерфейса с использованием опции `disable`. Опция `disable` полезна тем, что выделяет отдельные интерфейсы из выполнения подавления префиксов, если функция включена глобально. Следует отметить, что функция `disable` не эквивалентна отсутствию настроек подавления префиксов на отдельных интерфейсах.

**Значение по умолчанию:** подавление префиксов не настроено.  
**Формат:** `ipv6 ospf prefix-suppression [disable]`  
**Режим ввода команд:** конфигурирование интерфейса

### *no ipv6 ospf prefix-suppression*

Данная команда удаляет настройки подавления префиксов на уровне интерфейса. Когда используется команда `no ipv6 ospf prefix-suppression`, на интерфейсе применяется глобальное подавление префиксов. Отсутствие настройки команды не эквивалентно выключению подавления префиксов на уровне интерфейса.

**Формат:** `no ipv6 ospf prefix-suppression`  
**Режим ввода команд:** конфигурирование интерфейса

### *ipv6 ospf priority*

Эта команда устанавливает OSPF-приоритет для указанного интерфейса маршрутизатора или диапазона интерфейсов. Приоритет интерфейса — это целое число от 0 до 255. Нулевое значение обозначает, что маршрутизатор не подходит на роль назначенного маршрутизатора в данной сети.

**Значение по умолчанию:** 1, наивысший приоритет маршрутизатора.  
**Формат:** `ipv6 ospf priority 0-255`  
**Режим ввода команд:** конфигурирование интерфейса

### *no ipv6 ospf priority*

Эта команда устанавливает OSPF-приоритет для указанного интерфейса маршрутизатора в значение по умолчанию.

**Формат:** `no ipv6 ospf priority`  
**Режим ввода команд:** конфигурирование интерфейса

### *ipv6 ospf retransmit-interval*

Эта команда настраивает интервал повторной передачи OSPF для указанного интерфейса или диапазона интерфейсов. Интервал повторной передачи указывается в секундах. Значение *seconds* — это число секунд между повторной отправкой LSA для смежностей, принадлежащих интерфейсу данного маршрутизатора. Это значение также используется при повторной передаче описания базы данных и пакетов с запросами состояния канала. Диапазон — от 0 до 3600 секунд (1 час).

**Значение по умолчанию:** 5  
**Формат:** `ipv6 ospf retransmit-interval seconds`  
**Режим ввода команд:** конфигурирование интерфейса

### *no ipv6 ospf retransmit-interval*

Команда устанавливает интервал повторной передачи OSPF для указанного интерфейса в значение по умолчанию.

**Формат:** `no ipv6 ospf retransmit-interval`  
**Режим ввода команд:** конфигурирование интерфейса

### *ipv6 ospf transmit-delay*

Данная команда устанавливает задержку передачи OSPF для указанного интерфейса или диапазона интерфейсов. Задержка передачи указывается в секундах. Кроме того, она устанавливает ожидаемое количество секунд, которое требуется для передачи пакета с обновлением состояния соединения через этот интерфейс. Интервал действительных значений для *seconds* — от 1 до 3600 (1 час).

**Значение по умолчанию:** 1  
**Формат:** `ipv6 ospf transmit-delay seconds`  
**Режим ввода команд:** конфигурирование интерфейса

### *no ipv6 ospf transmit-delay*

Команда устанавливает задержку передачи OSPF для указанного интерфейса в значение по умолчанию.

**Формат:** `no ipv6 ospf transmit-delay`  
**Режим ввода команд:** конфигурирование интерфейса

## Команды настройки Graceful Restart в OSPFv3

Использование функционала Graceful Restart позволяет производить «щадящую перезагрузку» маршрутизаторов, при которой смежные маршрутизаторы продолжают пересылать IPv4 пакеты с использованием OSPFv3-маршрутов анонсированных перезагружаемым коммутатором.

Смежный маршрутизатор входит в режим помощника, если он получает от перезагружающегося маршрутизатора LSA-graceful, обозначающий его намерение выполнить щадящую перезагрузку. В режиме помощника коммутатор продолжает отправлять анонсы остальной сети, что они имеют полную смежность с перезагружающимся маршрутизатором, тем самым избегая перестроения OSPFv3-топологии и потенциального переполнения LSA и SPF (которые определяют маршруты OSPFv3). Соседи-помощники продолжают направлять пакеты через перезагружающийся маршрутизатор. Перезагружающийся маршрутизатор заново узнает топологию сети от своих соседей-помощников.

Функция Graceful Restart может быть включена для плановых, внеплановых или для обоих типов перезагрузки. Плановая перезагрузка выполняется оператором через управляющую команду `initiate failover`.

### *nsf*

Используйте эту команду, чтобы включить функцию OSPF Graceful Restart на интерфейсе.

**Значение по умолчанию:** выключено  
**Формат:** `nsf [ietf] [planned-only]`  
**Режимы ввода команд:** конфигурирование OSPFv3-маршрутизатора

Параметр	Описание
<code>ietf</code>	Это ключевое слово принимается, но не является обязательным.
<code>planned-only</code>	Это необязательное ключевое слово обозначает, что OSPF должен выполнить щадящую перезагрузку, только если перезагрузка плановая (например, если перезагрузка — результат команды <code>initiate failover</code> ).

### *no nsf*

Используйте эту команду, чтобы выключить Graceful Restart для любых перезагрузок.

**Формат:** `no nsf [ietf]`  
**Режимы ввода команд:** конфигурирование OSPFv3-маршрутизатора

### *nsf restart-interval*

Команда настраивает интервал в секундах, в течение которого перезагружающийся маршрутизатор будет просить своих соседей ожидать, прежде чем входить в режим помощника. Этот интервал называют «щадящим периодом». Перезагружающийся маршрутизатор включает щадящий период в свои анонсы LSA. Для плановых перезагрузок (используя команду `initiate failover`) щадящие LSA отсылаются до перезагрузки блока управления, а в случае внеплановых — отсылаются после начала перезагрузки.

Щадящий период должен быть достаточно долгим, чтобы позволить перезагружающемуся маршрутизатору восстановить все свои смежности и выполнить полный обмен базы данных с каждым из соседей.

**Значение по умолчанию:** 120 секунд  
**Формат:** nsf [ietf] restart-interval 1-1800  
**Режимы ввода команд:** конфигурирование OSPFv3-маршрутизатора

<i>Параметр</i>	<i>Описание</i>
ietf	Это ключевое слово принимается, но не является обязательным.
seconds	Количество секунд, которое перезагружающийся маршрутизатор запрашивает на ожидание у своих соседей перед тем, как они войдут в режим помощника. Диапазон — от 1 до 1800 секунд.

### *no nsf restart-interval*

Используйте эту команду, чтобы вернуть значение щадящего периода в значение по умолчанию.

**Формат:** no [ietf] nsf restart-interval  
**Режимы ввода команд:** конфигурирование OSPFv3-маршрутизатора

### *nsf helper*

Команда включает функцию соседей-помощников для протокола OSPF. Данную функцию можно включить для плановых, внеплановых или обоих типов перезагрузок.

**Значение по умолчанию:** OSPF может выступать как сосед-помощник для плановых и внеплановых перезагрузок.  
**Формат:** nsf helper [planned-only]  
**Режимы ввода команд:** конфигурирование OSPFv3-маршрутизатора

<i>Параметр</i>	<i>Описание</i>
planned-only	Это необязательное ключевое слово указывает, что OSPF следует назначать помощников только маршрутизатору, выполняющему плановую перезагрузку

### *no nsf helper*

Используйте эту команду, чтобы выключить функцию соседей-помощников для протокола OSPF.

**Формат:** no nsf helper  
**Режимы ввода команд:** конфигурирование OSPFv3-маршрутизатора

## *nsf ietf helper disable*

Используйте эту команду, чтобы выключить функцию соседей-помощников для протокола OSPF.



**Команды `nsf helper` и `nsf ietf helper disable` функционально равнозначны. Команда `nsf ietf helper disable` поддерживается исключительно для совместимости с CLI других вариантов программного обеспечения сети.**

**Формат:** `nsf ietf helper disable`

**Режимы ввода команд:** конфигурирование OSPFv3-маршрутизатора

## *nsf helper strict-lsa-checking*

Перезагружающийся маршрутизатор не может реагировать на изменения топологии. В частности, перезагружающийся маршрутизатор не будет мгновенно обновлять свою таблицу маршрутизации, а значит, изменение топологии может привести к петлям при пересылке или «черным дырам», которые сохраняются до тех пор, пока не завершится щадящая перезагрузка. При выходе из «щадящей перезагрузки» на изменение в топологии, маршрутизатор пытается устранить петли или «черные дыры» так быстро, как это возможно, за счет маршрутизации в обход перезапускающегося маршрутизатора. Сосед-помощник считает не поднятое соединение с перезагружающимся маршрутизатором изменением топологии, независимо от строгой конфигурации проверки LSA.

Используйте данную команду, чтобы потребовать от соседа-помощника OSPF выходить из режима помощника, как только происходит изменение топологии.

**Значение по умолчанию:** включено.

**Формат:** `nsf [ietf] helper strict-lsa-checking`

**Режимы ввода команд:** конфигурирование OSPFv3-маршрутизатора

<i>Параметр</i>	<i>Описание</i>
<code>ietf</code>	Это ключевое слово принимается, но не является обязательным.

## *no nsf [ietf] helper strict-lsa-checking*

Данная команда позволяет OSPF продолжать использовать соседа-помощника, несмотря на изменение топологии.

**Значение по умолчанию:** включено.

**Формат:** `nsf [ietf] helper strict-lsa-checking`

**Режимы ввода команд:** конфигурирование OSPFv3-маршрутизатора

<i>Параметр</i>	<i>Описание</i>
<code>external-lsa</code>	(Необязательный параметр.) Отправляет максимальные значения метрик для внешних LSA. Атрибут <code>max-metric-value</code> является максимально допустимым значением метрики для использования

	в LSA. Диапазон значений — от 1 до 16 777 215 (0xFFFFF). Значение по умолчанию равно 16 711 680 (0xFF000).
<b>inter-area-lsas</b>	(Необязательный параметр.) Отправляет максимальные значения метрик для LSA Inter-Area-Router.
<b>on-startup</b>	(Необязательный параметр.) Запускает OSPF в режиме Stub Router. Параметр seconds означает время в секундах, которое OSPF будет находиться в режиме Stub Router после перезагрузки. Диапазон — от 5 до 86 400 секунд. Значение по умолчанию отсутствует.
<b>summary-lsa</b>	(Необязательный параметр.) Отправляет максимальные значения метрик для суммарных LSA.

### *no max-metric router-lsa*

Используйте данную команду в режиме конфигурирования OSPFv3-маршрутизатора, чтобы выключить режим Stub Router. Команда очищает любой тип режима (always или on-startup) и сбрасывает все опции LSA. Если OSPF настроен входить в режим при запуске, и вы собираетесь в обычном оперативном режиме немедленно поместить OSPF в режим Stub Router, введите команду **no max-metric router-lsa on-startup**. Команда **no max-metric** с указанными опциями external-lsa, inter-area-lsas или опцией summary-lsa, указанной как **router-lsa summary-lsa** приводит к тому, что OSPF отправляет суммарные LSA с метриками, вычисленными с использованием стандартных процедур.

**Формат:** `no max-metric router-lsa [external-lsa] [inter-area-lsas] [on-startup] [summary-lsa]`

**Режим ввода команд:** конфигурирование OSPFv3-маршрутизатора

### *clear ipv6 ospf stub-router*

Используйте эту команду, чтобы принудительно вывести OSPF из режима Stub Router, когда он автоматически перешел в этот режим из-за ограниченности ресурсов. OSPF выходит из режима Stub Router только по причине ограничения ресурсов или если маршрутизатор находится в нем с момента запуска. Эта команда не имеет действия, если OSPF настроен находиться в режиме Stub Router постоянно.

**Формат:** `clear ipv6 ospf stub-router`

**Режим ввода команд:** привилегированный

### **Команды просмотра оперативного состояния OSPFv3**

#### *show ipv6 ospf*

Данная команда отображает информацию, относящуюся к OSPF-маршрутизатору.

**Формат:** `show ipv6 ospf`

**Режим ввода команд:** привилегированный  
пользовательский



Некоторая информация из представленной ниже отображается, только если включен протокол OSPF и настроены определенные функции.

<i>Термин</i>	<i>Значение</i>
<b>Router ID</b>	Уникальный идентификатор маршрутизатора в сети.
<b>OSPF Admin Mode</b>	Показывает, включен или выключен административный режим OSPF на маршрутизаторе. Это значение можно настраивать.
<b>External LSDB Limit</b>	Максимальное количество записей AS-external-LSA не по умолчанию, которые могут быть помещены в базу данных статуса соединения.
<b>Exit Overflow Interval</b>	Время в секундах после входа в состояние переполнения, по истечении которого маршрутизатор будет пытаться выйти из этого состояния.
<b>SPF Start Time</b>	Время отсрочки вычисления SPF в миллисекундах, когда расчет SPF не был запланирован на текущий интервал ожидания.
<b>SPF Hold Time</b>	Начальный интервал ожидания в миллисекундах.
<b>SPF Maximum Hold Time</b>	Максимальное значение интервала ожидания в миллисекундах.
<b>LSA Refresh Group Pacing Time</b>	Размер окна для обновления группы LSA в секундах.
<b>AutoCost Ref BW</b>	Показывает значение эталонной пропускной способности для автоматического расчета стоимости интерфейса.
<b>Default Passive Setting</b>	Показывает, являются ли интерфейсы пассивными по умолчанию.
<b>Maximum Paths</b>	Максимальное количество маршрутов, которые OSPF может предложить для данного места назначения.
<b>Default Metric</b>	Значение метрики по умолчанию для распространяемых маршрутов.
<b>Default Route Advertise</b>	Указывает, анонсируются ли маршруты по умолчанию, полученные от других протоколов-источников.
<b>Always</b>	Показывает, всегда ли анонсируются маршруты по умолчанию.
<b>Metric</b>	Метрика для анонсируемых маршрутов по умолчанию. Если метрики не настроены, это поле остается пустым.
<b>Metric Type</b>	Показывает тип маршрутов: External Type 1 или External Type 2.
<b>Number of Active Areas</b>	Количество активных зон OSPF. Активная зона OSPF — это зона с хотя бы одним работающим интерфейсом.
<b>ABR Status</b>	Показывает, является ли маршрутизатор



	пограничным маршрутизатором зоны OSPF (ABR).
<b>ASBR Status</b>	Показывает, является ли маршрутизатор пограничным маршрутизатором автономной системы OSPF (ASBR).
<b>Stub Router Status</b>	Состояние Stub Router: Active или Inactive.
<b>Stub Router Reason</b>	Эта опция отображается только в том случае, если режим Stub Router активен. Показывает причину входа в режим Stub Router: Configured, Startup или Resource Limitation
<b>Stub Router Startup Time Remaining</b>	Эта опция отображается только в том случае, если режим Stub Router установлен при включении. Время в секундах до того, как OSPF выйдет из режима Stub Router.
<b>Stub Router Duration</b>	Эта строка отображается только если Stub Router активен и маршрутизатор вошел в режим Stub Router по причине ограничения ресурсов.  Время, прошедшее с момента последнего входа маршрутизатора в режим Stub Router. Продолжительность отображается в формате дд:чч:мм:сс.
<b>External LSDB Overflow</b>	Если количество внешних LSA не по умолчанию превышает настроенный лимит, External LSDB Limit, OSPF входит в состояние переполнения. В этом состоянии OSPF отзывает все свои сгенерированные внешние LSA не по умолчанию. По истечении установленного времени Exit Overflow Interval OSPF выходит из состояния переполнения, если количество внешних LSA было уменьшено.
<b>External LSA Count</b>	Количество внешних анонсов состояния соединения (LS типа 5) в базе данных состояния соединения
<b>External LSA Checksum</b>	Сумма контрольных сумм LS внешних LSA, содержащихся в базе данных состояния соединения.
<b>New LSAs Originated</b>	Количество новых возникших анонсов состояния соединения.
<b>LSAs Received</b>	Количество полученных анонсов состояния соединения, определенных как новые.
<b>LSA Count</b>	Общее количество LSA, находящихся в данный момент в базе данных состояния соединения.
<b>Maximum Number of LSAs</b>	Максимальное количество LSA, которые OSPF может хранить.
<b>LSA High Water Mark</b>	Максимальный размер базы данных состояния соединения с момента запуска системы.
<b>Retransmit List Entries</b>	Общее количество LSA, ждущих подтверждения всеми соседями. Любые LSA могут ожидать подтверждения более чем одним соседним устройством.
<b>Maximum Number of Retransmit Entries</b>	Максимальное количество LSA, которые могут

	ожидать подтверждения в любое время.
<b>Retransmit Entries High Water Mark</b>	Максимальное количество LSA, которые когда-либо ожидали подтверждения.
<b>Redistributing</b>	Поле является заголовком и появляется только тогда, когда система настроена принимать маршруты, изученные от источника, отличного от OSPF, и анонсировать их партнерским устройствам.
<b>Source</b>	Показывает исходящие протоколы/ маршруты, которые подлежат перераспределению. Возможные значения: static, connected, BGP или RIP.
<b>Metric</b>	Метрика перераспределяемых маршрутов.
<b>Metric Type</b>	Показывает тип маршрутов: External Type 1 или External Type 2.
<b>Tag</b>	Десятичное значение, назначаемое для каждого внешнего маршрута.
<b>Subnets</b>	При перераспределении маршрутов в OSPF этот параметр показывает объем перераспределения для указанного протокола.
<b>Distribute-List</b>	Список контроля доступа, который используется для фильтрации перераспределяемых маршрутов.
<b>Prefix-suppression</b>	Показывает, включено ли подавление префиксов на данном интерфейсе.
<b>NSF Support</b>	Указывает, включена ли безостановочная обработка трафика (NSF) для протокола OSPF при плановых или внеплановых перезагрузках или для обоих типов (Always).
<b>NSF Restart Interval</b>	Настраиваемый пользователем щадящий интервал, во время которого соседний маршрутизатор будет находиться в режиме помощника после получения уведомления о том, что блок управления выполняет щадящую перезагрузку.
<b>NSF Restart Status</b>	Действующий статус щадящей перезагрузки маршрутизатора.
<b>NSF Restart Age</b>	Количество секунд до того, как закончится интервал щадящей перезагрузки.
<b>NSF Restart Exit Reason</b>	Показывает, по какой причине маршрутизатор последний раз выходил из последней перезагрузки: <ul style="list-style-type: none"> <li>• <b>None</b> — щадящая перезагрузка не проводилась.</li> <li>• <b>In Progress</b> — перезагрузка в процессе.</li> <li>• <b>Completed</b> — предыдущая щадящая перезагрузка выполнена успешно.</li> <li>• <b>Timed Out</b> — время предыдущей щадящей перезагрузки истекло.</li> <li>• <b>Topology Changed</b> — предыдущая щадящая перезагрузка досрочно прекращена из-за</li> </ul>

	изменения топологии.
<b>NSF Help Support</b>	Показывает, включена ли функция соседа-помощника для OSPF для плановых или внеплановых перезагрузок либо обоих типов (Always).
<b>NSF help Strict LSA checking</b>	Показывает, включена ли строгая проверка LSA. Если включена, то сосед-помощник OSPF выйдет из режима помощника, как только произойдет изменение топологии. Если выключена, сосед-помощник OSPF продолжит работать в этом режиме, несмотря на изменение топологии.

### ***show ipv6 ospf abr***

Эта команда отображает внутренние маршруты OSPFv3 для достижения маршрутизатора ABR. Команда не принимает дополнительных опций.

**Формат:** `show ipv6 ospf abr`

**Режимы ввода команд:** привилегированный  
пользовательский

<i>Термин</i>	<i>Значение</i>
<b>Type</b>	Тип маршрута к месту назначения. Может быть: <ul style="list-style-type: none"> <li>• intra — маршрут внутри зоны;</li> <li>• inter — маршрут вне зоны.</li> </ul>
<b>Router ID</b>	Идентификатор маршрутизатора места назначения.
<b>Cost</b>	Стоимость использования этого маршрута.
<b>Area ID</b>	Идентификатор зоны, от которой изучен данный маршрут.
<b>Next Hop</b>	Ближайший узел по направлению к месту назначения.
<b>Next Hop Intf</b>	Интерфейс исходящего маршрутизатора, используемый для направления трафика к ближайшему узлу.

### ***show ipv6 ospf area***

Данная команда отображает информацию о зоне. Параметр *areaid* указывает OSPF-зону, которая будет отображаться.

**Формат:** `show ipv6 ospf area areaid`

**Режимы ввода команд:** привилегированный  
пользовательский

<i>Термин</i>	<i>Значение</i>
<b>AreaID</b>	Идентификатор запрошенной OSPF-зоны.
<b>External Routing</b>	Число, представляющее возможности внешней

	маршрутизации для этой зоны.
<b>Spf Runs</b>	Количество случаев, когда таблица маршрутизации внутри зоны была рассчитана с использованием базы данных состояний соединений этой зоны.
<b>Area Border Router Count</b>	Общее количество пограничных маршрутизаторов в диапазоне данной зоны.
<b>Area LSA Count</b>	Общее количество LSA в базе данных состояния соединения этой зоны, исключая внешние AS LSA.
<b>Area LSA Checksum</b>	Число, представляющее контрольную сумму LSA зоны для указанного AreaID, исключая внешние LSA (LS типа 5).
<b>Stub Mode</b>	Представляет, является ли указанная зона stub-зоной. Возможные значения: enabled и disabled.
<b>Import Summary LSAs</b>	Показывает, импортируются ли суммарные LSA (при значении Stub Mode enabled).
<b>OSPF Stub Metric Value</b>	Значение метрики stub-зоны. Это поле отображается только если зона сконфигурирована как stub-зона.

Следующая информация OSPF NSSA отображается только в том случае, если зона настроена как NSSA.

<i>Термин</i>	<i>Значение</i>
<b>Import Summary LSAs</b>	Показывает, импортируются ли суммарные LSA в NSSA.
<b>Redistribute into NSSA</b>	Показывает, распространяется ли информация в NSSA.
<b>Default Information Originate</b>	Показывает, анонсируется ли NSSA маршрут по умолчанию
<b>Default Metric</b>	Значение метрики для маршрута по умолчанию, анонсируемого NSSA.
<b>Default Metric Type</b>	Тип метрики для маршрута по умолчанию, анонсируемого NSSA.
<b>Translator Role</b>	Роль транслятора NSSA для ABR: always или candidate.
<b>Translator Stability Interval</b>	Период времени, в течение которого выбранный транслятор продолжает выполнять свои обязанности после определения факта, что его статус транслятора был замещен другим маршрутизатором.
<b>Translator State</b>	Показывает статус маршрутизатора ABR: disabled, always или elected.

### ***show ipv6 ospf asbr***

Эта команда отображает внутренние маршруты OSPFv3 для достижения маршрутизатора ASBR. Команда не принимает дополнительных опций.

**Формат:** show ipv6 ospf asbr

**Режимы ввода команд:** привилегированный  
пользовательский

Термин	Значение
Type	Тип маршрута к месту назначения. Может быть: <ul style="list-style-type: none"> <li>• intra — маршрут внутри зоны;</li> <li>• inter — маршрут вне зоны.</li> </ul>
Router ID	Идентификатор маршрутизатора места назначения.
Cost	Стоимость использования этого маршрута.
Area ID	Идентификатор зоны, от которой изучен данный маршрут.
Next Hop	Ближайший узел по направлению к месту назначения.
Next Hop Intf	Интерфейс исходящего маршрутизатора, используемый для направления трафика к ближайшему узлу.

### **show ipv6 ospf database**

Данная команда отображает информацию о базе данных состояния соединения, когда OSPFv3 включен. Если не указывать дополнительных параметров, команда отобразит заголовки LSA для всех зон. Используйте необязательный параметр *areaid*, чтобы отобразить информацию базы данных для определенной зоны. Используйте другие необязательные параметры, чтобы указать тип отображаемых анонсов состояния соединения. Используйте *external* для отображения внешних LSA. Используйте *inter-area* для отображения внутризональных LSA. Используйте *link* для отображения LSA соединения. Используйте *network*, чтобы отобразить сетевые LSA. Используйте *nssa-external* для отображения внешних LSA NSSA. Используйте *prefix* для отображения внутризонального префикса LSA. Используйте *router* для отображения LSA маршрутизатора. Используйте *unknown area*, *unknown as* или *unknown link*, чтобы отобразить LSA для неизвестной зоны или автономной системы или для соединения соответственно. Используйте *lsid* для указания идентификатора состояния связи (LSID). Используйте *adv-router*, чтобы показать LSA, которые ограничены анонсирующим маршрутизатором. Используйте *self-originate*, чтобы отобразить собственные LSA. Приведенная ниже информация отображается только в том случае, если OSPF включен.

**Формат:** show ipv6 ospf [*areaid*] database [{external | inter-area {prefix | router} | link | network | nssa-external | prefix | router | unknown {area | as | link}}] [*lsid*] [{adv- router [*rtrid*] | self-originate}]

**Режимы ввода команд:** привилегированный  
пользовательский

Для каждого типа соединения и зоны отображается следующая информация:

Термин	Значение
Link Id	Число, обозначающее LSA, создаваемый

	маршрутизатором из всех остальных сгенерированных LSA того же типа LS.
<b>Adv Router</b>	Анонсирующий маршрутизатор. IP-адрес, обозначающий LSDB-интерфейс.
<b>Age</b>	Число, представляющее время существования LSA в секундах.
<b>Sequence</b>	Число, представляющее текущую версию LSA.
<b>Checksum</b>	Итоговая контрольная сумма LSA.
<b>Prefix</b>	IPv6-префикс.
<b>Interface</b>	Интерфейс для соединения.
<b>Rtr Count</b>	Количество маршрутизаторов, подключенных к сети.

### *show ipv6 ospf database database-summary*

Используйте эту команду, чтобы отобразить количество LSA каждого типа и общего количества LSA в базе данных.

**Формат:** `show ipv6 ospf database database-summary`

**Режимы ввода команд:** привилегированный  
пользовательский

<b>Термин</b>	<b>Значение</b>
<b>Router</b>	Общее количество LSA маршрутизатора в базе данных состояния соединения OSPFv3.
<b>Network</b>	Общее количество сетевых LSA в базе данных состояния соединения OSPFv3.
<b>Inter-area Prefix</b>	Общее количество LSA с межзональным префиксом в базе данных состояния соединения OSPFv3.
<b>Inter-area Router</b>	Общее количество LSA межзональных маршрутизаторов в базе данных состояния соединения OSPFv3.
<b>Type-7 Ext</b>	Общее количество внешних LSA NSSA в базе данных состояния соединения OSPFv3.
<b>Link</b>	Общее количество LSA соединения в базе данных состояния соединения OSPFv3.
<b>Intra-area Prefix</b>	Общее количество LSA с внутризональными префиксами в базе данных состояния соединения OSPFv3.
<b>Link Unknown</b>	Общее количество LSA с неизвестным источником в базе данных состояния соединения OSPFv3.
<b>Area Unknown</b>	Общее число LSA неизвестных зон в базе данных состояния соединения OSPFv3.
<b>AS Unknown</b>	Общее число LSA неизвестных AS в базе данных состояния соединения OSPFv3.

<b>Type-5 Ext</b>	Общее число LSA внешних AS в базе данных состояния соединения OSPFv3.
<b>Self-Originated</b>	Общее количество собственных сгенерированных внешних LSA AS в базе данных состояния соединения OSPFv3.
<b>Total</b>	Общее количество LSA маршрутизатора в базе данных состояния соединения OSPFv3.

### **show ipv6 ospf interface**

Эта команда отображает информацию для объекта IFO или таблицы виртуального интерфейса. Аргумент *unit/slot/port* относится к физическому или виртуальному интерфейсу маршрутизации. Ключевое слово **vlan** используется для прямого указания идентификатора VLAN на маршрутизирующем VLAN-интерфейсе (вместо формата *unit/slot/port*).

**Формат:** `show ipv6 ospf interface {unit/slot/port|vlan 1-4093|loopback loopback-id | tunnel tunnel-id}`

**Режимы ввода команд:** привилегированный  
пользовательский

<b>Термин</b>	<b>Значение</b>
<b>IP Address</b>	IPv6-адрес интерфейса.
<b>ifIndex</b>	Индекс интерфейса, связанный с данным интерфейсом.
<b>OSPF Admin Mode</b>	Показывает, включен или выключен административный режим.
<b>OSPF Area ID</b>	Идентификатор зоны, связанной с этим интерфейсом.
<b>Router Priority</b>	Приоритет маршрутизатора. Приоритет маршрутизатора определяет, какой маршрутизатор является назначенным маршрутизатором.
<b>Retransmit Interval</b>	Частота в секундах, с которой интерфейс отправляет LSA.
<b>Hello Interval</b>	Частота в секундах, с которой интерфейс отправляет пакеты Hello.
<b>Dead Interval</b>	Промежуток времени в секундах, в течение которого интерфейс ожидает, прежде чем определить, что соседний узел не функционирует.
<b>LSA Ack Interval</b>	Промежуток времени в секундах, в течение которого интерфейс задерживает отправку подтверждения LSA после получения LSA.
<b>Interface Transmit Delay</b>	Количество секунд, которые интерфейс добавляется к возрасту LSA-пакетов перед передачей.
<b>Authentication Type</b>	Тип аутентификации интерфейса, выполняемой в отношении принимаемых LSA.
<b>Metric Cost</b>	Приоритет пути. Низкая стоимость имеет более высокий приоритет по сравнению с высокой.

<b>Prefix-suppression</b>	Отображает статус подавления префиксов на данном интерфейсе: enabled, disabled или unconfigured.
<b>Passive Status</b>	Показывает, является ли интерфейс пассивным.
<b>OSPF MTU-ignore</b>	Показывает, игнорируются ли несовпадения MTU в пакетах-дескрипторах базы данных, присланных соседними маршрутизаторами.
<b>Link LSA Suppression</b>	Настроенное состояние подавления LSA соединения для интерфейса.

Следующая информация отображается только в том случае, если на интерфейсе инициализирован OSPF.

<i>Термин</i>	<i>Значение</i>
<b>OSPF Interface Type</b>	Тип OSPF-интерфейса broadcast или ptp.
<b>State</b>	Состояния OSPF-интерфейса могут обозначаться как own, loopback, waiting, point-to-point, designated router и backup designated router.
<b>Designated Router</b>	Идентификатор маршрутизатора, представляющий назначенный маршрутизатор.
<b>Backup Designated Router</b>	Идентификатор маршрутизатора, представляющий резервный назначенный маршрутизатор.
<b>Number of Link Events</b>	Количество событий соединения.
<b>Metric Cost</b>	Стоимость OSPF-интерфейса.

### ***show ipv6 ospf interface brief***

Эта команда выводит на экран краткую информацию для объекта IFO или таблиц виртуального интерфейса.

**Формат:** `show ipv6 ospf interface brief`

**Режимы ввода команд:** привилегированный  
пользовательский

<i>Термин</i>	<i>Значение</i>
<b>Interface</b>	Интерфейс в формате <i>unit/slot/port</i> .
<b>OSPF Admin Mode</b>	Указывает, включен ли OSPF на интерфейсе маршрутизатора.
<b>OSPF Area ID</b>	Идентификатор OSPF-зоны для указанного интерфейса.
<b>Router Priority</b>	Приоритет маршрутизатора. Приоритет маршрутизатора определяет, какой маршрутизатор является назначенным маршрутизатором.
<b>Metric Cost</b>	Приоритет пути. Низкая стоимость имеет более высокий приоритет по сравнению с высокой.
<b>Hello Interval</b>	Частота в секундах, с которой интерфейс отправляет



	пакеты Hello.
<b>Dead Interval</b>	Промежуток времени в секундах, в течение которого интерфейс ожидает, прежде чем определить, что соседний узел не функционирует.
<b>Retransmit Interval</b>	Частота в секундах, с которой интерфейс отправляет LSA. Частота в секундах, с которой интерфейс отправляет LSA.
<b>Retransmit Delay Interval</b>	Количество секунд, которые интерфейс добавляется к возрасту LSA-пакетов перед передачей.
<b>LSA Ack Interval</b>	Промежуток времени в секундах, в течение которого интерфейс задерживает отправку подтверждения LSA после получения LSA.

### **show ipv6 ospf interface stats**

Команда отображает статистику для указанного интерфейса. Информация отображается только в том случае, если OSPF включен.

**Формат:** `show ipv6 ospf interface stats {unit/slot/port | vlan id}`

**Режимы ввода команд:** привилегированный  
пользовательский

<b>Термин</b>	<b>Значение</b>
<b>OSPFv3 Area ID</b>	Идентификатор OSPF-зоны для указанного интерфейса.
<b>IP Address</b>	IP-адрес, связанный с данным OSPF-интерфейсом.
<b>OSPFv3 Interface Events</b>	Количество случаев, когда указанный OSPF-интерфейс менял свой статус или когда происходили ошибки.
<b>Virtual Events</b>	Количество изменений статуса или ошибок, зафиксированных на данном виртуальном соединении.
<b>Neighbor Events</b>	Количество случаев, когда соседнее устройство меняло свой статус или происходила ошибка.
<b>Packets Received</b>	Количество OSPFv3-пакетов, принятых на интерфейсе.
<b>Packets Transmitted</b>	Количество OSPFv3-пакетов, отправленных на интерфейс.
<b>LSAs Sent</b>	Общее количество LSA, отправленных на интерфейс.
<b>LSA Acks Received</b>	Общее количество LSA, подтвержденных этим интерфейсом.
<b>LSA Acks Sent</b>	Общее количество LSA, подтвержденных для этого интерфейса.
<b>Sent Packets</b>	Количество OSPF-пакетов, переданных на интерфейс.

<b>Received Packets</b>	Количество действительных OSPF-пакетов, принятых интерфейсом.
<b>Discards</b>	Количество принятых OSPF-пакетов, отброшенных по причине ошибки в пакете или при его обработке
<b>Bad Version</b>	Количество принятых OSPF-пакетов, чье поле версии в заголовке OSPF не совпадало с версией OSPF-процесса, который обрабатывал пакет.
<b>Virtual Link Not Found</b>	Количество принятых пакетов, отброшенных из-за того, что входной интерфейс находится не в магистральной зоне, а заголовок OSPF идентифицировал пакет как принадлежащий к магистрале, но у OSPF не было виртуального канала для отправителя пакета.
<b>Area Mismatch</b>	Количество OSPF-пакетов, отброшенных из-за того, что идентификатор зоны в OSPF-заголовке не совпадает с идентификатором, настроенным на входном интерфейсе.
<b>Invalid Destination Address</b>	Количество OSPF-пакетов, отброшенных из-за того, что их IP-адрес назначения не является адресом входного интерфейса и адресом многоадресной рассылки AllDrRouters или AllSpfRouters.
<b>No Neighbor at Source Address</b>	Количество пакетов, OSPF-отброшенных из-за того, что отправитель — несуществующий сосед или IP-адрес отправителя не совпадает с предыдущим записанным IP-адресом для этого соседа. ПРИМЕЧАНИЕ. Не относится к Hello-пакетам.
<b>Invalid OSPF Packet Type</b>	Количество OSPF-пакетов, отброшенных из-за того, что поле packet type в OSPF-заголовке является неизвестным типом.
<b>Hellos Ignored</b>	Количество принятых Hello-пакетов, которые игнорируются данным маршрутизатором от новых соседей после того, как было достигнуто предельное количество соседей на данном интерфейсе или в системе в целом.

### ***show ipv6 ospf lsa-group***

Эта команда отображает количество сгенерированных LSA внутри каждой группы LSA.

**Формат:** `show ipv6 ospf lsa-group`

**Режимы ввода команд:** привилегированный  
пользовательский

### ***show ipv6 ospf max-metric***

Данная команда отображает настроенные максимальные метрики для режима Stub-Router.

**Формат:** `show ipv6 ospf max-metric`

**Режимы ввода команд:** привилегированный  
пользовательский

## show ipv6 ospf neighbor

Данная команда отображает информацию о соседних OSPF-узлах. Если не указать IP-адрес соседа, команда отобразит общую информацию в таблице. Если указан стандартный или туннельный интерфейс, команда отображает информацию для этого интерфейса или туннеля. Аргумент *unit/slot/port* относится к физическому или виртуальному интерфейсу маршрутизации. Ключевое слово **vlan** используется для прямого указания идентификатора VLAN на маршрутизирующем VLAN-интерфейсе (вместо формата *unit/slot/port*). Параметр *ip-address* — IP-адрес соседа, и если его указать, отобразится подробная информация об этом соседе. Информация ниже отображается только в том случае, если включен OSPF и у интерфейса есть соседи.

**Формат:** `show ipv6 ospf neighbor [interface {unit/slot/port|vlan 1-4093|tunnel tunnel_id}][ip-address]`

**Режимы ввода команд:** привилегированный  
пользовательский

Если не указать IP-адрес, таблица с данными столбцами отобразится для всех соседей или для соседа, связанного с интерфейсом, который вы укажете:

Термин	Значение
Router ID	Идентификатор соседнего маршрутизатора.
Priority	OSPF-приоритет указанного интерфейса. Приоритет интерфейса — это целое число от 0 до 255. Нулевое значение обозначает, что маршрутизатор не подходит на роль назначенного маршрутизатора в данной сети.
Intf ID	Идентификатор интерфейса соседнего узла.
Interface	Интерфейс локального маршрутизатора в формате <i>unit/slot/port</i> .
State	Состояние соседних маршрутизаторов. Возможные значения перечислены ниже. <ul style="list-style-type: none"> <li>• <b>Down</b> — исходное состояние соседа; от соседа не было получено свежей информации.</li> <li>• <b>Attempt</b> — от соседа не было получено свежей информации, но более согласованные усилия должны быть приложены, чтобы связаться с соседом.</li> <li>• <b>Init</b> — от соседа недавно был замечен Hello-пакет, но двунаправленное соединение пока еще не установлено.</li> <li>• <b>way</b> — между двумя маршрутизаторами установлено двунаправленное соединение.</li> <li>• <b>Exchange start</b> — первый шаг в создании смежности между двумя соседними маршрутизаторами: цель состоит в том, чтобы решить, какой маршрутизатор является главным, и принять решение относительно начального номера последовательности DD.</li> <li>• <b>Exchange</b> — маршрутизатор описывает всю свою базу данных состояния соединения путем</li> </ul>

	<p>отправки пакетов Database Description соседу.</p> <ul style="list-style-type: none"> <li>• <b>Full</b> — соседние маршрутизаторы полностью смежны, и теперь они будут появляться в LSA маршрутизаторов и LSA сети.</li> </ul>
<b>Dead Time</b>	Время в секундах, которое маршрутизатор ожидает перед тем, как посчитать соседа недоступным.
<b>Restart Helper Status</b>	<p>Указывает статус данного маршрутизатора как помощника во время щадящей перезагрузки маршрутизатора, указанного в командной строке.</p> <ul style="list-style-type: none"> <li>• <b>Helping</b> — данный маршрутизатор является соседом-помощником для указанного маршрутизатора.</li> <li>• <b>Not Helping</b> — данный маршрутизатор не является соседом-помощником в данный момент.</li> </ul>
<b>Restart Reason</b>	Если маршрутизатор находится в режиме соседа-помощника, это отображает причину перезапуска, данную перезапускающимся маршрутизатором.
<b>Remaining Grace Time</b>	Количество секунд, оставшихся от интервала текущей щадящей перезагрузки. Отображается, только когда данный маршрутизатор в настоящее время находится в режиме соседа-помощника для указанного в команде маршрутизатора.
<b>Restart Helper Exit Reason</b>	<p>Указывает причину, по которой указанный маршрутизатор вышел из щадящей перезагрузки в последний раз.</p> <ul style="list-style-type: none"> <li>• <b>None</b> — щадящая перезагрузка не проводилась.</li> <li>• <b>In Progress</b> — перезагрузка в процессе.</li> <li>• <b>Completed</b> — предыдущая щадящая перезагрузка выполнена успешно.</li> <li>• <b>Timed Out</b> — время предыдущей щадящей перезагрузки истекло.</li> <li>• <b>Topology Changed</b> — предыдущая щадящая перезагрузка досрочно прекращена из-за изменения топологии.</li> </ul>

Если указать IP-адрес соседнего маршрутизатора, отобразится следующая информация:

<b>Термин</b>	<b>Значение</b>
<b>Interface</b>	Интерфейс локального маршрутизатора в формате <i>unit/slot/port</i> .
<b>Area ID</b>	Идентификатор зоны, связанной с интерфейсом.
<b>Options</b>	Целое число, обозначающее необязательные OSPF-возможности, поддерживаемые соседним устройством. Они перечислены в пакетах Hello. Это позволяет Hello-пакетам быть отклоненными (например, если с соседом еще не было установлено соединение), если происходит несоответствие в

	некоторых ключевых OSPF-возможностях.
<b>Router Priority</b>	Приоритет маршрутизатора для указанного интерфейса.
<b>Dead Timer Due</b>	Время в секундах, которое маршрутизатор ожидает перед тем, как посчитать соседа недоступным.
<b>State</b>	Состояние соседних маршрутизаторов.
<b>Events</b>	Количество случаев, когда соседнее устройство меняло свой статус или происходила ошибка.
<b>Retransmission Queue Length</b>	Целое число, обозначающее текущую длину очереди повторной передачи для указанного идентификатора соседнего маршрутизатора на указанном интерфейсе.

### ***show ipv6 ospf range***

Эта команда отображает набор диапазонов префиксов зоны OSPFv3, настроенных для суммирования.

**Формат:** `show ipv6 ospf range areaid`

**Режимы ввода команд:** привилегированный

<b>Термин</b>	<b>Значение</b>
<b>Area ID</b>	Зона, префиксы которой суммируются.
<b>IPv6 Prefix/Prefix Length</b>	Суммарный префикс и длина префикса.
<b>Type</b>	<b>S</b> (суммарное соединение) или <b>E</b> (внешнее соединение)
<b>Action</b>	<b>Enabled</b> или <b>Disabled</b>
<b>Cost</b>	Метрики, которые анонсируются, если диапазон активен.

### ***show ipv6 ospf statistics***

Эта команда отображает информацию о 15 последних результатах расчетов Shortest Path First (SPF). SPF — это расчеты таблицы маршрутизации OSPF.

**Формат:** `show ipv6 ospf statistics`

**Режимы ввода команд:** привилегированный  
пользовательский

Команда выводит следующую информацию, отображая самые последние статистические данные в конце таблицы.

<b>Термин</b>	<b>Значение</b>
<b>Delta T</b>	Время с момента расчета таблицы маршрутизации. Указывается в формате часов, минут и секунд (чч:мм:сс).
<b>Intra</b>	Время, ушедшее на подсчет маршрутов внутри зоны,

	в миллисекундах.
<b>Summ</b>	Время, ушедшее на подсчет маршрутов между зонами, в миллисекундах.
<b>Ext</b>	Время, ушедшее на подсчет внешних маршрутов, в миллисекундах.
<b>SPF Total</b>	Общее время, ушедшее на вычисление маршрутов, в миллисекундах. Может превышать сумму соответствующих полей для внешних, внутренних и межзональных маршрутов.
<b>RIB Update</b>	Время, прошедшее с последнего выполненного подсчета таблицы маршрутизации, до момента, пока все изменения не были выполнены в общей таблице маршрутизации (RIB), в миллисекундах.
<b>Reason</b>	События, запустившие SPF. Коды причин перечислены ниже. <ul style="list-style-type: none"> <li>• R: LSA нового маршрутизатора</li> <li>• N: LSA новой сети</li> <li>• SN: суммарный LSA новой сети (межзональный префикс)</li> <li>• SA: LSA нового ASBR- (межзонального) маршрутизатора</li> <li>• X: новый внешний LSA</li> <li>• IP: LSA нового внутризонального префикса</li> <li>• L: LSA нового соединения</li> </ul>

### ***show ipv6 ospf stub table***

Эта команда отображает stub-таблицу OSPF. Информация ниже отображается только в том случае, если на коммутаторе инициализирован OSPF.

**Формат:** `show ipv6 ospf stub table`

**Режимы ввода команд:** привилегированный  
пользовательский

<b>Термин</b>	<b>Значение</b>
<b>Area ID</b>	32-битный идентификатор созданной stub-зоны.
<b>Type of Service</b>	Тип сервиса, связанного со stub-метриками. Для данной версии поддерживается только тип Normal TOS.
<b>Metric Val</b>	Значения метрик, применяемые на основе TOS. По умолчанию устанавливаются наименьшие значения вида обслуживания среди интерфейсов других зон. OSPF-стоимость маршрута является функцией от значения этой метрики.
<b>Import Summary LSA</b>	Управляет импортом суммарных LSA в stub-зоны.

### ***show ipv6 ospf virtual-link***

Эта команда отображает информацию виртуального интерфейса OSPF для указанной зоны и соседнего узла. Параметр `areaid` определяет зону, а параметр `neighbor` — идентификатор соседнего маршрутизатора.

**Формат:** `show ipv6 ospf virtual-link areaid neighbor`

**Режимы ввода команд:** привилегированный  
пользовательский

<b>Термин</b>	<b>Значение</b>
<b>Area ID</b>	Идентификатор запрошенной OSPF-зоны.
<b>Neighbor Router ID</b>	Входной идентификатор соседнего маршрутизатора.
<b>Hello Interval</b>	Настроенный интервал Hello для виртуального интерфейса OSPF.
<b>Dead Interval</b>	Настроенный Dead-интервал для виртуального интерфейса OSPF.
<b>Interface Transmit Delay</b>	Настроенная задержка передачи для виртуального интерфейса OSPF.
<b>Retransmit Interval</b>	Настроенный интервал ретрансляции для указанного OSPF-интерфейса.
<b>Authentication Type</b>	Тип аутентификации интерфейса, выполняемой в отношении принимаемых LSA.
<b>State</b>	Состояния OSPF-интерфейса могут обозначаться как <code>own</code> , <code>loopback</code> , <code>waiting</code> , <code>point-to-point</code> , <code>designated router</code> и <code>backup designated router</code> . Этот параметр показывает статус OSPF-интерфейса.
<b>Neighbor State</b>	Состояние соседнего узла.

### ***show ipv6 ospf virtual-link brief***

Эта команда отображает краткую информацию виртуального интерфейса OSPFv3 для всех зон в системе.

**Формат:** `show ipv6 ospf virtual-link brief`

**Режимы ввода команд:** привилегированный  
пользовательский

<b>Термин</b>	<b>Значение</b>
<b>Area ID</b>	Идентификатор запрошенной OSPFv3-зоны.
<b>Neighbor</b>	Соседний интерфейс виртуального OSPFv3-интерфейса.
<b>Hello Interval</b>	Настроенный интервал Hello для виртуального OSPFv3-интерфейса.
<b>Dead Interval</b>	Настроенный Dead-интервал для виртуального OSPFv3-интерфейса.

<b>Retransmit Interval</b>	Настроенный интервал повторной передачи для виртуального OSPFv3-интерфейса.
<b>Transmit Delay</b>	Настроенная задержка передачи для виртуального OSPFv3-интерфейса.

## 12.6 Команды настройки DHCPv6

В этом разделе описаны команды, которые можно использовать для настройки DHCPv6-сервера в системе и просмотра информации, связанной с DHCPv6.

### *service dhcpv6*

Эта команда включает DHCPv6-конфигурацию на маршрутизаторе.

**Значение по умолчанию:** включено  
**Формат:** `service dhcpv6`  
**Режим ввода команд:** глобальная конфигурация

### *no service dhcpv6*

Команда выключает DHCPv6-конфигурацию на маршрутизаторе.

**Формат:** `no service dhcpv6`  
**Режим ввода команд:** глобальная конфигурация

### *ipv6 dhcp client pd*

Команда позволяет включить протокол DHCP для клиентского процесса IPv6 (если процесс не запущен) и разрешить запросы Prefix Delegation через указанный интерфейс. Когда запросы Prefix Delegation включены и префикс успешно получен, он сохраняется в общем пуле IPv6-префиксов с внутренним именем, заданным с помощью автоматического аргумента.



**Клиент Prefix Delegation поддерживается только на одном IP-интерфейсе.**

Параметр `rapid-commit` позволяет использовать метод обмена двумя сообщениями для делегирования префикса и другие конфигурации. Если этот параметр включен, клиент может выполнять быстрый обмен запросами.

Функции DHCP для IPv6-клиента, сервера и ретранслятора на интерфейсе являются взаимоисключающими. Если одна из этих функций уже включена и пользователь пытается настроить другую функцию на том же интерфейсе, появится соответствующее сообщение.

**Значение по умолчанию:** Выключено  
**Формат:** `ipv6 dhcp client pd [rapid-commit]`  
**Режим ввода команд:** конфигурирование интерфейса

### *no ipv6 dhcp client pd*

Эта команда выключает запросы Prefix Delegation.



**Формат:** `no ipv6 dhcp client pd`  
**Режим ввода команд:** конфигурирование интерфейса

### *ipv6 dhcp server*

Используйте эту команду для настройки функционала DHCPv6-сервера на интерфейсе или диапазоне интерфейсов. Параметр `pool-name` определяет DHCPv6-пул, содержащий параметры `stateless` и/или `prefix delegation`. Параметр `automatic` позволяет серверу автоматически определять, какой пул использовать при выделении адресов для клиента. `rapid-commit` — это опция, которая позволяет сокращенный обмен сообщениями между клиентом и сервером. Значение `pref-value` используется клиентами для определения предпочтений между несколькими DHCPv6-серверами. Для конкретного интерфейса функции DHCPv6-сервера и DHCPv6-ретранслятора являются взаимоисключающими.

**Формат:** `ipv6 dhcp server {pool-name | automatic}[rapid-commit]  
[preference pref-value]`  
**Режим ввода команд:** конфигурирование интерфейса

### *ipv6 dhcp relay destination*

Используйте эту команду, чтобы настроить интерфейс для работы в качестве DHCPv6-ретранслятора на интерфейсе или диапазоне интерфейсов. Используйте ключевое слово `destination` для настройки IPv6-адреса сервера ретрансляции. Параметр `relay-address` — это IPv6-адрес сервера DHCPv6-ретранслятора. Используйте ключевое слово `interface`, чтобы установить интерфейс сервера ретрансляции. Параметр `relay-interface` обозначает интерфейс (unit/slot/port) для доступа к серверу ретрансляции. Необязательный параметр `remote-id` позволяет агенту ретрансляции добавлять информационную опцию «remote ID» к ретранслируемым сообщениям. Для этого параметра можно использовать специальное ключевое слово `duid-ifid`, и в этом случае «remote ID» будет определяться на основании DUID DHCPv6-сервера и номера интерфейса ретранслятора. В противном случае значение этой опции может быть определено в виде строки, заданной пользователем.



Если *relay-address* является глобальным IPv6-адресом, параметр *relay-interface* не является обязательным. Если *relay-address* является групповым адресом или адресом *link-local*, параметр *relay-interface* является обязательным. И наконец, если значение для *relay-address* не указано, значение *relay-interface* должно быть указано в обязательном порядке, а для ретрансляции DHCPv6-сообщений к серверу ретрансляции будет использоваться групповой адрес DHCPV6-ALL-AGENTS (т. е. FF02::1:2).

**Формат:** `ipv6 dhcp relay {destination [relay-address] interface [relay-interface]} [remote-id  
(duid-ifid | user-defined-string)]`  
**Режим ввода команд:** конфигурирование интерфейса

### *ipv6 dhcp pool*

Используйте эту команду в режиме глобальной конфигурации для входа в режим конфигурирования пула DHCPv6. Параметр `pool-name` должен включать до 30 буквенно-цифровых символов. Пулы DHCPv6 используются для указания DHCPv6-серверу информации для распространения по DHCPv6-клиентам. Эти пулы являются общими для нескольких интерфейсов, через которые настраиваются возможности DHCPv6-сервера.

После того, как информационный пул DHCP для IPv6 был создан, используйте команду `ipv6 dhcp server`, чтобы связать пул с сервером на интерфейсе. Если информационный пул не настроен,

используйте команду настройки `ipv6 dhcp server interface`, чтобы включить функцию DHCPv6-сервера на интерфейсе.

Когда вы связываете пул DHCPv6 с интерфейсом, на соответствующем интерфейсе обслуживаются только сервисные запросы данного пула. Пул также обслуживает другие интерфейсы. Если вы не связываете пул DHCPv6 с интерфейсом, он может обслуживать запросы на любом интерфейсе. Если префикс IPv6-адреса не используется, пул возвращает только настроенные опции.

**Формат:** `ipv6 dhcp pool pool-name`

**Режим ввода команд:** глобальная конфигурация

### *no ipv6 dhcp pool*

Данная команда удаляет указанный пул DHCPv6.

**Формат:** `no ipv6 dhcp pool pool-name`

**Режим ввода команд:** глобальная конфигурация

### ***address prefix (IPv6)***

Используйте эту команду для установки IPv6-префикса. Адрес должен быть в шестнадцатеричном формате с использованием 16-битных значений разделённых двоеточиями.

Если значения `lifetime` не настроены, значения `valid-lifetime` и `preferred-lifetime` по умолчанию считаются бесконечными.

**Формат:** `address prefix ipv6-prefix [lifetime {valid-lifetime preferred-lifetime | infinite}]`

**Режим ввода команд:** конфигурирование пула DHCPv6

<b><i>Термин</i></b>	<b><i>Значение</i></b>
<b>lifetime</b>	(Необязательный параметр.) Указывает, в течение какого периода сервер должен помнить анонсы маршрутизатора. При настройке этого параметра обязательно требуется также указать значения для <i>valid-lifetime</i> и <i>preferred-lifetime</i> .
<b>valid-lifetime</b>	Период времени в секундах, в течение которого префикс остается действительным для запрашивающего маршрутизатора. Диапазон — от 60 до 4 294 967 294. Значение <i>preferred-lifetime</i> не может быть больше значения <i>valid-lifetime</i> .
<b>preferred-lifetime</b>	Период времени в секундах, в течение которого префикс остается приоритетным для запрашивающего маршрутизатора. Диапазон — от 60 до 4 294 967 294. Значение <i>preferred-lifetime</i> не может быть больше значения <i>valid-lifetime</i> .
<b>infinite</b>	Неограниченное время жизни.

### ***domain-name (IPv6)***

Эта команда устанавливает имя домена DNS, который предоставляется DHCPv6-клиенту DHCPv6-сервером. Доменное имя включает не более 31 буквенно-цифровых символов. Пул DHCPv6 может иметь несколько доменных имен, максимум 8.

**Формат:** domain-name *dns-domain-name*  
**Режим ввода команд:** конфигурирование пула DHCPv6

*no domain-name*

Данная команда удаляет доменное имя DHCPv6 из пула DHCPv6.

**Формат:** no domain-name *dns-domain-name*  
**Режим ввода команд:** конфигурирование пула DHCPv6

### ***dns-server (IPv6)***

Эта команда устанавливает IPv6-адрес DNS-сервера, который предоставляется DHCPv6-клиенту DHCPv6-сервером. Пул DHCPv6 может иметь несколько доменных имен, максимум 8.

**Формат:** dns-server *dns-server-address*  
**Режим ввода команд:** конфигурирование пула DHCPv6

*no dns-server*

Данная команда удаляет адрес DNS-сервера с DHCPv6-сервера.

**Формат:** no dns-server *dns-server-address*  
**Режим ввода команд:** конфигурирование пула DHCPv6

### ***prefix-delegation (IPv6)***

Для распределения определенным клиентам делегирования DHCPv6-префикса в пуле можно определить несколько префиксов IPv6. Prefix — это делегированный префикс IPv6. DUID — это уникальное значение DUID клиента (пример: 00:01:00:09:f8:79:4e:00:04:76:73:43:76). Name — это текстовое имя клиента длиной 31 символ, которое используется только для журналов или отслеживаний. Valid lifetime — это действительное время жизни для делегированного префикса в секундах; preferred lifetime является предпочтительным временем жизни для делегированного префикса в секундах.

**Значение по умолчанию:** valid-lifetime — 2 592 000;  
 preferred-lifetime — 604 800.  
**Формат:** prefix-delegation *prefix/prefixLength DUID [name host-name][valid-lifetime 04294967295][preferred-lifetime 0-4294967295]*  
**Режим ввода команд:** конфигурирование пула DHCPv6

*no prefix-delegation*

Эта команда удаляет конкретного клиента делегирования префиксов.

**Формат:** no prefix-delegation *prefix/prefix-delegation DUID*  
**Режим ввода команд:** конфигурирование пула DHCPv6

### *show ipv6 dhcp*

Эта команда отображает имя и состояние DHCPv6-сервера.

**Формат:** `show ipv6 dhcp`  
**Режим ввода команд:** привилегированный

<i>Термин</i>	<i>Значение</i>
DHCPv6 is Enabled (Disabled)	Состояние DHCPv6-сервера.
Server DUID	Уникальный идентификатор DHCPv6, если настроен.

### *show ipv6 dhcp statistics*

Эта команда отображает статистику IPv6 DHCP для всех интерфейсов.

**Формат:** `show ipv6 dhcp statistics`  
**Режим ввода команд:** привилегированный

<i>Термин</i>	<i>Значение</i>
DHCPv6 Solicit Packets Received	Статистика по количеству полученных пакетов Solicit.
DHCPv6 Request Packets Received	Статистика по количеству полученных пакетов Request.
DHCPv6 Confirm Packets Received	Статистика по количеству полученных пакетов Confirm.
DHCPv6 Renew Packets Received	Статистика по количеству полученных пакетов Renew.
DHCPv6 Rebind Packets Received	Статистика по количеству полученных пакетов Rebind.
DHCPv6 Release Packets Received	Статистика по количеству полученных пакетов Release.
DHCPv6 Decline Packets Received	Статистика по количеству полученных пакетов Decline.
DHCPv6 Inform Packets Received	Статистика по количеству полученных пакетов Inform
DHCPv6 Relay-forward Packets Received	Статистика по количеству полученных пакетов Relay-forward.
DHCPv6 Relay-reply Packets Received	Статистика по количеству полученных пакетов Relay-reply
DHCPv6 Malformed Packets Received	Статистика по количеству полученных повреждённых пакетов.
Received DHCPv6 Packets Discarded	Статистика по количеству отброшенных DHCPv6-пакетов.
Total DHCPv6 Packets Received	Статистика по общему количеству принятых DHCPv6-пакетов.
DHCPv6 Advertisement Packets Transmitted	Статистика по количеству отправленных анонсов.
DHCPv6 Reply Packets Transmitted	Статистика по количеству отправленных пакетов Reply.

<b>DHCPv6 Reconfig Packets Transmitted</b>	Статистика по количеству отправленных пакетов Reconfig.
<b>DHCPv6 Relay-reply Packets Transmitted</b>	Статистика по количеству отправленных пакетов Relay-reply.
<b>DHCPv6 Relay-forward Packets Transmitted</b>	Статистика по количеству отправленных пакетов Relay-forward.
<b>Total DHCPv6 Packets Transmitted</b>	Статистика по общему количеству отправленных DHCPv6-пакетов.

### **show ipv6 dhcp interface**

Эта команда отображает информацию DHCPv6 для всех связанных интерфейсов или указанного интерфейса. Аргумент *unit/slot/port* относится к физическому или виртуальному интерфейсу маршрутизации. Ключевое слово **vlan** используется для прямого указания идентификатора VLAN на маршрутизирующем VLAN-интерфейсе (вместо формата *unit/slot/port*). Если указан интерфейс, можно использовать необязательный параметр *statistics* для просмотра статистики указанного интерфейса.

**Формат:** `show ipv6 dhcp interface {unit/slot/port|vlan 1-4093} [statistics]`

**Режим ввода команд:** привилегированный

<i>Термин</i>	<i>Значение</i>
<b>IPv6 Interface</b>	Имя интерфейса в формате <i>unit/slot/port</i> .
<b>Mode</b>	Показывает, является ли интерфейс IPv6 DHCP ретранслятором или сервером.

Если режим интерфейса — сервер, отображается следующая информация.

<i>Термин</i>	<i>Значение</i>
<b>Pool Name</b>	Имя пула, определяющего информацию для распространения DHCPv6-сервером в адрес DHCPv6-клиентов.
<b>Server Preference</b>	Приоритет сервера.
<b>Option Flags</b>	Показывает, включена ли функция <i>rapid commit</i> .

Если режим интерфейса — ретранслятор, отображается следующая информация.

<i>Термин</i>	<i>Значение</i>
<b>Relay Address</b>	IPv6-адрес сервера ретрансляции.
<b>Relay Interface Number</b>	Интерфейс сервера ретрансляции в формате <i>unit/slot/port</i> .
<b>Relay Remote ID</b>	Отображает имя удаленного ретранслятора, если таковой настроен.
<b>Option Flags</b>	Показывает, настроена ли функция <i>rapid commit</i> .

Если используется параметр `statistics`, команда отображает статистику IPv6 DHCP для указанного интерфейса. Подробнее о выводе см. в описании команды `show ipv6 dhcp statistics`.

### ***show ipv6 dhcp binding***

Эта команда отображает настроенный пул DHCP.

**Формат:** `show ipv6 dhcp binding [ipv6-address]`

**Режим ввода команд:** привилегированный

<b>Термин</b>	<b>Значение</b>
<b>DHCP Client Address</b>	Адрес DHCP-клиента.
<b>DUID</b>	Строка, которая представляет DUID клиента.
<b>IAID</b>	Идентификатор Identity Association.
<b>Prefix/Prefix Length</b>	IPv6-адрес и маска длины для делегированного префикса.
<b>Prefix Type</b>	Тип IPv6-префикса (IPAD, IANA или IATA).
<b>Client Address</b>	Адрес DHCP-клиента.
<b>Client Interface</b>	IPv6-адрес DHCP-клиента.
<b>Expiration</b>	Адрес DNS-сервера.
<b>Valid Lifetime</b>	Действительное время жизни для делегированного префикса в секундах.
<b>Preferred Lifetime</b>	Предпочтительное время жизни для делегированного префикса в секундах.

### ***show ipv6 dhcp pool***

Эта команда отображает настроенный пул DHCP.

**Формат:** `show ipv6 dhcp pool pool-name`

**Режим ввода команд:** привилегированный

<b>Термин</b>	<b>Значение</b>
<b>DHCP Pool Name</b>	Уникальная конфигурация имени пула.
<b>Client DUID</b>	Уникальный DHCP-идентификатор клиента. DUID создается с использованием комбинации предустановленного MAC-адреса локальной системы и значения временной метки.
<b>Host</b>	Имя клиента.
<b>Prefix/Prefix Length</b>	IPv6-адрес и маска длины для делегированного префикса.
<b>Preferred Lifetime</b>	Предпочтительное время жизни для делегированного префикса в секундах.
<b>Valid Lifetime</b>	Действительное время жизни для делегированного префикса в секундах.

DNS Server Address	Адрес DNS-сервера.
Domain Name	Доменное имя DNS.

### ***show network ipv6 dhcp statistics***

Эта команда отображает статистику DHCPv6-клиента, работающего на сетевом интерфейсе управления.

**Формат:** `show network ipv6 dhcp statistics`

**Режим ввода команд:** привилегированный  
пользовательский

<i>Поле</i>	<i>Описание</i>
DHCPv6 Advertisement Packets Received	Количество пакетов DHCPv6 Advertisement, принятых на сетевом интерфейсе.
DHCPv6 Reply Packets Received	Количество пакетов DHCPv6 Reply, принятых на сетевом интерфейсе.
Received DHCPv6 Advertisement Packets Discarded	Количество пакетов DHCPv6 Advertisement, отброшенных на сетевом интерфейсе.
Received DHCPv6 Reply Packets Discarded	Количество пакетов DHCPv6 Reply, отброшенных на сетевом интерфейсе.
DHCPv6 Malformed Packets Received	Количество DHCPv6-пакетов с искажениями, принятых на сетевом интерфейсе.
Total DHCPv6 Packets Received	Общее количество DHCPv6-пакетов, принятых на сетевом интерфейсе.
DHCPv6 Solicit Packets Transmitted	Количество пакетов DHCPv6 Solicit, отправленных на сетевом интерфейсе.
DHCPv6 Request Packets Transmitted	Количество пакетов DHCPv6 Request, отправленных на сетевом интерфейсе.
DHCPv6 Renew Packets Transmitted	Количество пакетов DHCPv6 Renew, отправленных на сетевом интерфейсе.
DHCPv6 Rebind Packets Transmitted	Количество пакетов DHCPv6 Rebind, отправленных на сетевом интерфейсе.
DHCPv6 Release Packets Transmitted	Количество пакетов DHCPv6 Release, отправленных на сетевом интерфейсе.
Total DHCPv6 Packets Transmitted	Общее количество DHCPv6-пакетов, отправленных на сетевом интерфейсе.

### ***show serviceport ipv6 dhcp statistics***

Данная команда отображает статистику DHCPv6-клиента, работающего на интерфейсе управления

**Формат:** `show serviceport ipv6 dhcp statistics`

**Режим ввода команд:** привилегированный  
пользовательский

<i>Поле</i>	<i>Описание</i>
DHCPv6 Advertisement Packets Received	Количество пакетов DHCPv6 Advertisement, принятых на сетевом интерфейсе.
DHCPv6 Reply Packets Received	Количество пакетов DHCPv6 Reply, принятых на сетевом интерфейсе.
Received DHCPv6 Advertisement Packets Discarded	Количество пакетов DHCPv6 Advertisement, отброшенных на сетевом интерфейсе.
Received DHCPv6 Reply Packets Discarded	Количество пакетов DHCPv6 Reply, отброшенных на сетевом интерфейсе.
DHCPv6 Malformed Packets Received	Количество DHCPv6-пакетов с искажениями, принятых на сетевом интерфейсе.
Total DHCPv6 Packets Received	Общее количество DHCPv6-пакетов, принятых на сетевом интерфейсе.
DHCPv6 Solicit Packets Transmitted	Количество пакетов DHCPv6 Solicit, отправленных на сетевом интерфейсе.
DHCPv6 Request Packets Transmitted	Количество пакетов DHCPv6 Request, отправленных на сетевом интерфейсе.
DHCPv6 Renew Packets Transmitted	Количество пакетов DHCPv6 Renew, отправленных на сетевом интерфейсе.
DHCPv6 Rebind Packets Transmitted	Количество пакетов DHCPv6 Rebind, отправленных на сетевом интерфейсе.
DHCPv6 Release Packets Transmitted	Количество пакетов DHCPv6 Release, отправленных на сетевом интерфейсе.
Total DHCPv6 Packets Transmitted	Общее количество DHCPv6-пакетов, отправленных на сетевом интерфейсе.

### ***clear ipv6 dhcp***

Команда позволяет очистить статистику DHCPv6 для всех интерфейсов или для конкретного интерфейса. Используйте параметр `unit/slot/port`, чтобы указать интерфейс, и параметр `vlan`, чтобы указать VLAN.

**Формат:** `clear ipv6 dhcp {statistics | interface {unit/slot/port | vlan id}}`

**Режим ввода команд:** привилегированный

### ***clear ipv6 dhcp binding***

Эта команда удаляет автоматическую привязку адресов из базы данных DHCPv6-сервера. Параметр `address` является действительным IPv6-адресом.

Для записи привязки в таблице DHCPv6-сервера автоматически выполняются следующие операции:

- создание, когда префикс делегируется клиенту из настроенного пула;
- обновление, когда клиент обновляет, повторно связывает или подтверждает делегирование префикса;



- удаление, когда клиент освобождает все связанные префиксы добровольно, истек период `valid lifetimes` для всех префиксов или администратор запускает команду **`clear ipv6 dhcp binding`**.

Если команда `clear ipv6 dhcp binding` используется с необязательным аргументом `ipv6-address`, удаляется только привязка для указанного клиента. Если команда `clear ipv6 dhcp binding` используется без аргумента `ipv6-address`, из таблицы привязки DHCPv6-сервера удаляются все автоматически выполненные привязки клиентов.

**Формат:** `clear ipv6 dhcp binding [ipv6-address]`

**Режим ввода команд:** привилегированный

### ***clear network ipv6 dhcp statistics***

Используйте эту команду, чтобы сбросить статистику DHCPv6 на сетевом интерфейсе управления.

**Формат:** `clear network ipv6 dhcp statistics`

**Режим ввода команд:** привилегированный

### ***clear serviceport ipv6 dhcp statistics***

Используйте эту команду, чтобы очистить статистику DHCPv6-клиента на интерфейсе сервисного порта.

**Формат:** `clear serviceport ipv6 dhcp statistics`

**Режим ввода команд:** привилегированный

## **12.7 Команды настройки DHCPv6 Snooping**

В этом разделе описаны команды, используемые для настройки функции IPv6 DHCP Snooping.

### ***ipv6 dhcp snooping***

Используйте эту команду, чтобы глобально включить IPv6 DHCP Snooping.

**Значение по умолчанию:** выключено

**Формат:** `ipv6 dhcp snooping`

**Режим ввода команд:** глобальная конфигурация

### ***no ipv6 dhcp snooping***

Команда используется, чтобы глобально выключить IPv6 DHCP Snooping.

**Формат:** `no ipv6 dhcp snooping`

**Режим ввода команд:** глобальная конфигурация

### ***ipv6 dhcp snooping vlan***

Используйте эту команду, чтобы включить DHCP Snooping на списке диапазонов VLAN, перечисленных через запятую.

**Значение по умолчанию:** выключено  
**Формат:** `ipv6 dhcp snooping vlan vlan-list`  
**Режим ввода команд:** глобальная конфигурация

*no ipv6 dhcp snooping vlan*

Используйте эту команду, чтобы выключить DHCP Snooping на указанных VLAN.

**Формат:** `no ipv6 dhcp snooping vlan vlan-list`  
**Режим ввода команд:** глобальная конфигурация

### ***ipv6 dhcp snooping verify mac-address***

Команда включает проверку MAC-адреса источника сообщения и MAC-адреса клиента в полученном DHCP-сообщении.

**Значение по умолчанию:** включено  
**Формат:** `ipv6 dhcp snooping verify mac-address`  
**Режим ввода команд:** глобальная конфигурация

*no ipv6 dhcp snooping verify mac-address*

Используйте эту команду, чтобы выключить проверку MAC-адреса источника.

**Формат:** `no ipv6 dhcp snooping verify mac-address`  
**Режим ввода команд:** глобальная конфигурация

### ***ipv6 dhcp snooping database***

Используйте эту команду, чтобы настроить постоянное расположение для базы данных DHCP Snooping. Расположение может быть локальным или в виде удаленного файла на устройстве с указанным IP-адресом.

**Значение по умолчанию:** local  
**Формат:** `ipv6 dhcp snooping database {local|tftp://hostIP/filename}`  
**Режим ввода команд:** глобальная конфигурация

### ***ip dhcp snooping database write-delay***

Используйте эту команду, чтобы настроить интервал в секундах, в течение которого база данных DHCP Snooping должна быть сохранена. Значение интервала находится в диапазоне от 15 до 86 400 секунд.

**Значение по умолчанию:** 300 секунд  
**Формат:** `ip dhcp snooping database write-delay in seconds`  
**Режим ввода команд:** глобальная конфигурация

*no ip dhcp snooping database write-delay*

Команда устанавливает write-delay в значение по умолчанию.

**Формат:** `no ip dhcp snooping database write-delay`

**Режим ввода команд:** глобальная конфигурация

### ***ipv6 dhcp snooping binding***

Команда для настройки статичной привязки DHCP Snooping.

**Формат:** `ipv6 dhcp snooping binding mac-address vlan vlan id ip address interface interface id`

**Режим ввода команд:** глобальная конфигурация

### ***no ipv6 dhcp snooping binding***

Команда удаляет статичную запись DHCP из базы данных DHCP Snooping.

**Формат:** `no ipv6 dhcp snooping binding mac-address`

**Режим ввода команд:** глобальная конфигурация

### ***ipv6 dhcp snooping trust***

Используйте эту команду, чтобы настроить интерфейс или диапазон интерфейсов как доверенные.

**Значение по умолчанию:** выключено

**Формат:** `ipv6 dhcp snooping trust`

**Режим ввода команд:** конфигурирование интерфейса

### ***no ipv6 dhcp snooping trust***

Команда настраивает порт как не доверенный.

**Формат:** `no ipv6 dhcp snooping trust`

**Режим ввода команд:** конфигурирование интерфейса

### ***ipv6 dhcp snooping log-invalid***

Используйте данную команду, чтобы управлять фильтрацией DHCP-сообщений для ведения журнала приложением DHCP Snooping. Данная команда может использоваться для настройки одного интерфейса или диапазона интерфейсов.

**Значение по умолчанию:** выключено

**Формат:** `ipv6 dhcp snooping log-invalid`

**Режим ввода команд:** конфигурирование интерфейса

### ***no ipv6 dhcp snooping log-invalid***

Используйте данную команду, чтобы выключить фильтрацию DHCP-сообщений для ведения журнала приложением DHCP Snooping.

**Формат:** `no ipv6 dhcp snooping log-invalid`

**Режим ввода команд:** конфигурирование интерфейса

### ***ipv6 dhcp snooping limit***

Команда помогает управлять скоростью, с которой сообщения DHCP Snooping приходят на интерфейс или диапазон интерфейсов. По умолчанию ограничение скорости выключено. Если ограничение включено, скорость может составлять от 0 до 300 пакетов в секунду. Диапазон уровней всплесков — от 1 до 15 секунд. Ограничение скорости настраивается на физическом порте и может быть применено к надежным и ненадежным портам.

**Значение по умолчанию:** выключено (ограничений нет).  
**Формат:** `ipv6 dhcp snooping limit {rate pps [burst interval seconds]}`  
**Режим ввода команд:** конфигурирование интерфейса

### ***no ipv6 dhcp snooping limit***

Команда устанавливает значение скорости, с которой приходят сообщения DHCP Snooping, и уровень всплесков в значения по умолчанию.

**Формат:** `no ipv6 dhcp snooping limit`  
**Режим ввода команд:** конфигурирование интерфейса

### ***ipv6 verify source***

Используйте эту команду, чтобы настроить функционал IPv6 Source Guard. Идентификатор источника — это сочетание IP-адреса и MAC-адреса. Обычная команда включает фильтрацию трафика на основе IP-адреса. С опцией `port-security` трафик данных будет фильтроваться на основе IP-адресов и MAC-адресов.

Данная команда может использоваться для настройки одного интерфейса или диапазона интерфейсов.

**Значение по умолчанию:** Выключено  
**Формат:** `ipv6 verify source {port-security}`  
**Режим ввода команд:** конфигурирование интерфейса

### ***no ipv6 verify source***

Используйте эту команду, чтобы выключить функционал IPv6 Source Guard в системе. Невозможно выключить отдельно `port-security`, если этот параметр настроен.

**Формат:** `no ipv6 verify source`  
**Режим ввода команд:** конфигурирование интерфейса

### ***ipv6 verify binding***

Используйте данную команду, чтобы настроить статические записи IPv6 Source Guard (IPv6SG).

**Формат:** `ipv6 verify binding mac-address vlan vlan id ipv6 address interface interface id`  
**Режим ввода команд:** глобальная конфигурация

### ***no ipv6 verify binding***

Используйте данную команду, чтобы удалить статическую запись IPv6SG из базы данных IPv6SG.

**Формат:** no ipv6 verify binding mac-address vlan vlan id ipv6 address interface interface id

**Режим ввода команд:** глобальная конфигурация

### **show ipv6 dhcp snooping**

Используйте эту команду, чтобы отобразить глобальные настройки DHCP Snooping и настройки для каждого порта.

**Формат:** show ipv6 dhcp snooping

**Режим ввода команд:** привилегированный  
пользовательский

<i>Термин</i>	<i>Значение</i>
<b>Interface</b>	Интерфейс, для которого отображается информация.
<b>Trusted</b>	При значении enabled DHCP Snooping считает этот порт надежным.
<b>Log Invalid Pkts</b>	При значении enabled DHCP Snooping вносит в журнал на данном интерфейсе сбойные пакеты.

### **show ipv6 dhcp snooping binding**

Используйте эту команду, чтобы отобразить записи привязки DHCP Snooping. Чтобы упорядочить вывод информации, используйте следующие опции:

- Dynamic: ограничить вывод по DHCP Snooping.
- Interface: ограничить вывод по определенному интерфейсу.
- Static: ограничить вывод по статичным записям.
- VLAN: ограничить вывод по VLAN.

**Формат:** show ipv6 dhcp snooping binding [{static/dynamic}] [interface unit/slot/port] [vlan id]

**Режим ввода команд:** привилегированный  
пользовательский

<i>Термин</i>	<i>Значение</i>
<b>MAC Address</b>	Отображает MAC-адрес для добавленной привязки. MAC-адрес — это ключ к базе данных привязки.
<b>IPv6 Address</b>	Отображает действительный IPv6-адрес для правил привязки.
<b>VLAN</b>	VLAN для правил привязки.
<b>Interface</b>	Интерфейс, к которому добавляется привязка интерфейса DHCP Snooping.
<b>Type</b>	Тип привязки: статично настраивается в CLI или изучается динамически.
<b>Lease (sec)</b>	Оставшийся срок аренды для записи.

### ***show ipv6 dhcp snooping database***

Используйте эту команду, чтобы отобразить настройки DHCP Snooping, относящиеся к сохранению базы данных.

**Формат:** `show ipv6 dhcp snooping database`

**Режим ввода команд:** привилегированный  
пользовательский

<i>Термин</i>	<i>Значение</i>
Agent URL	URL агента базы данных.
Write Delay	Максимальное время записи базы данных (локальной или удаленной).

**Формат:** `show ipv6 dhcp snooping interfaces [interface unit/slot/port]`

**Режим ввода команд:** привилегированный

### ***show ipv6 dhcp snooping statistics***

Используйте эту команду, чтобы перечислить статистику нарушений безопасности DHCPv6 Snooping на ненадежных портах.

**Формат:** `show ipv6 dhcp snooping statistics`

**Режим ввода команд:** привилегированный  
пользовательский

<i>Термин</i>	<i>Значение</i>
Interface	IPv6-адрес интерфейса в формате <i>unit/slot/port</i> .
MAC Verify Failures	Отображает количество DHCP-сообщений, отфильтрованных на ненадежных интерфейсах из-за несовпадения MAC-адреса источника и аппаратного адреса клиента.
Client Ifc Mismatch	Отображает количество DHCP-сообщений Release и Deny, которые были получены на разных портах, изученных ранее.
DHCP Server Msgs Rec'd	Отображает количество сообщений DHCP-сервера, полученных от ненадежных портов.

### ***clear ipv6 dhcp snooping binding***

Используйте данную команду, чтобы удалить все привязки DHCPv6 Snooping на всех интерфейсах или указанном интерфейсе.

**Формат:** `clear ipv6 dhcp snooping binding [interface unit/slot/port]`

**Режим ввода команд:** привилегированный  
пользовательский

### ***clear ipv6 dhcp snooping statistics***

Команда удаляет всю статистику DHCPv6 Snooping.

**Формат:** `clear ipv6 dhcp snooping statistics`  
**Режим ввода команд:** привилегированный  
пользовательский

### ***show ipv6 verify***

Используйте эту команду для отображения IPv6-конфигурации Source Guard для заданного интерфейса `unit/slot/port`.

**Формат:** `show ipv6 verify interface`  
**Режим ввода команд:** привилегированный  
пользовательский

<b>Термин</b>	<b>Значение</b>
<b>Interface</b>	IP-адрес интерфейса в формате <i>unit/slot/port</i> .
<b>Filter Type</b>	<p>Может принимать одно из значений.</p> <ul style="list-style-type: none"> <li><code>ip-vbmac</code>: пользователь настроил фильтрацию по MAC-адресу на данном интерфейсе.</li> <li><code>ipv6</code>: на этом интерфейсе для фильтрации используется только IPv6-адрес.</li> </ul>

### ***show ipv6 verify source***

Используйте данную команду, чтобы отобразить настройки IPv6SG на всех портах. Если указана опция `interface`, вывод ограничивается настройками указанного `unit/slot/port`.

**Формат:** `show ipv6 verify source {interface}`  
**Режим ввода команд:** привилегированный  
пользовательский

<b>Термин</b>	<b>Значение</b>
<b>Interface</b>	IP-адрес интерфейса в формате <i>unit/slot/port</i> .
<b>Filter Type</b>	<p>Может принимать одно из значений.</p> <ul style="list-style-type: none"> <li><code>ip-vbmac</code>: пользователь настроил фильтрацию по MAC-адресу на данном интерфейсе.</li> <li><code>ipv6</code>: на этом интерфейсе для фильтрации используется только IPv6-адрес.</li> </ul>
<b>IPv6 Address</b>	IPv6-адрес интерфейса.
<b>MAC Address</b>	Если на интерфейсе не настроена фильтрация по MAC-адресу, это поле остается пустым. Если на интерфейсе выключена защита портов, поле MAC Address отображает « <code>permit-all</code> ».
<b>VLAN</b>	VLAN для правил привязки.

## ***show ipv6 source binding***

Используйте эту команду, чтобы отобразить привязки IPv6SG.

**Формат:** `show ipv6 source binding [{dhcp-snooping|static}] [interface unit/slot/port] [vlan id]`

**Режим ввода команд:** привилегированный  
пользовательский

<b>Термин</b>	<b>Значение</b>
<b>MAC Address</b>	MAC-адрес добавляемой записи.
<b>IP Address</b>	IP-адрес добавляемой записи.
<b>Type</b>	Тип записи;: статично настроенный в CLI или динамически изученный с помощью DHCP Snooping
<b>VLAN</b>	VLAN записи.
<b>Interface</b>	IP-адрес интерфейса в формате <i>unit/slot/port</i> .



## 13 КОМАНДЫ НАСТРОЙКИ QUALITY OF SERVICE

В этом разделе описываются команды управления технологией Quality of Service, доступные в CLI.



**Команды в этом разделе делятся на две функциональные группы.**

- Команды просмотра оперативного состояния устройства, которые отображают настройки коммутатора, статистику и другую информацию.
- Команды настройки, которые задают характеристики и настройки коммутатора. Для каждой команды конфигурации существует команда просмотра оперативного состояния устройства, отображающая текущие параметры конфигурации.

### 13.1 Команды управления Class of Service

В этой части приведены команды, которые используются для просмотра и настройки параметров Class of Service (CoS) на коммутаторе. Эти команды позволяют управлять приоритетами и скоростью передачи трафика.



- Команды, вводимые в режиме конфигурирования интерфейса, выполняются для одного интерфейса.
- Команды, вводимые в режиме глобальной конфигурации выполняются для всех интерфейсов.

#### *classofservice dot1p-mapping*

Эта команда связывает приоритеты 802.1p с внутренними классами трафика. Значения userpriority указываются в диапазоне от 0 до 7. Значения trafficclass могут быть в диапазоне от 0 до 6.

**Формат:** `classofservice dot1p-mapping userpriority trafficclass`

**Режим ввода команд:** глобальная конфигурация  
конфигурирование интерфейса

#### *no classofservice dot1p-mapping*

Эта команда связывает приоритеты 802.1p с внутренними классами трафика по умолчанию.

**Формат:** `no classofservice dot1p-mapping`

**Режим ввода команд:** глобальная конфигурация  
конфигурирование интерфейса

#### *classofservice ip-dscp-mapping*

Данная команда связывает значения IP DSCP с внутренними классами трафика. Значение ipdscp можно задать как целыми числами от 0 до 63, так и описательно, с использованием следующих ключевых слов: af11, af12, af13, af21, af22, af23, af31, af32, af33, af41, af42, af43, be, cs0, cs1, cs2, cs3, cs4, cs5, cs6, cs7, ef. Значения trafficclass могут быть в диапазоне от 0 до 6.

**Формат:** `classofservice ip-dscp-mapping ipdscp trafficclass`

**Режим ввода команд:** глобальная конфигурация

### *no classofservice ip-dscp-mapping*

Команда связывает каждое значение IP DSCP с соответствующим внутренним классом трафика по умолчанию.

**Формат:** `no classofservice ip-dscp-mapping`

**Режим ввода команд:** глобальная конфигурация

### *classofservice trust*

Эта команда устанавливает режим CoS-надежности для интерфейса или диапазона интерфейсов. Режим можно настроить на принятие в качестве надежных пакетов с одним из следующих маркеров: dot1p (802.1p) или IP DSCP. Кроме того, режим интерфейса можно установить как ненадежный. Если настроить интерфейс на принятие dot1p, режим не будет отображаться в выводе команды `show running-config`, поскольку dot1p является значением по умолчанию.

**Значение по умолчанию:** `dot1p`

**Формат:** `classofservice trust {dot1p | ip-dscp | untrusted}`

**Режим ввода команд:** глобальная конфигурация  
конфигурирование интерфейса

### *no classofservice trust*

Эта команда устанавливает режим интерфейса в значение по умолчанию.

**Формат:** `no classofservice trust`

**Режим ввода команд:** глобальная конфигурация  
конфигурирование интерфейса

### *cos-queue max-bandwidth*

Эта команда определяет гарантированную максимальную пропускную способность передачи для каждой очереди на интерфейсе, диапазоне интерфейсов или на всех интерфейсах. Для каждой поддерживаемой очереди требуется указать значение в диапазоне 0–100 (процент от скорости соединения), причем 0 указывает на отсутствие максимальной пропускной способности. Сумма всех введенных значений не должна превышать 100.

**Формат:** `cos-queue max-bandwidth bw-0 bw-1 ... bw-n`

**Режим ввода команд:** глобальная конфигурация  
конфигурирование интерфейса

### *no cos-queue max-bandwidth*

Эта команда восстанавливает значения по умолчанию для максимальной пропускной способности каждой очереди.

**Формат:** `no cos-queue max-bandwidth`

**Режим ввода команд:** глобальная конфигурация

### *cos-queue min-bandwidth*

Эта команда определяет гарантированную минимальную пропускную способность передачи для каждой очереди на интерфейсе, диапазоне интерфейсов или на всех интерфейсах. Для каждой поддерживаемой очереди требуется указать значение в диапазоне 0–100 (процент от скорости соединения), причем 0 указывает на отсутствие гарантированной минимальной пропускной способности. Сумма всех введенных значений не должна превышать 100.

**Формат:** `cos-queue min-bandwidth bw-0 bw-1 ... bw-n`

**Режим ввода команд:** глобальная конфигурация  
конфигурирование интерфейса

### *no cos-queue min-bandwidth*

Эта команда восстанавливает значения по умолчанию для минимальной пропускной способности каждой очереди.

**Формат:** `no cos-queue min-bandwidth`

**Режим ввода команд:** глобальная конфигурация  
конфигурирование интерфейса

### *cos-queue random-detect*

Данная команда активирует функцию Weighted Random Early Discard (WRED) для каждой указанной очереди на интерфейсе. Параметры WRED настраиваются с помощью команд `random-detect queue-parms` и `random-detect exponential-weighting-constant`.

При выполнении в режиме конфигурирования интерфейса команда действует только на один интерфейс, а в режиме глобальной конфигурации применяется для всех интерфейсов.

В этой команде требуется указать по крайней мере одно, но не более  $n$  значений идентификаторов очередей. Повторяющиеся значения идентификаторов очереди игнорируются. Значение идентификатора очереди может быть в диапазоне от 0 до  $(n - 1)$ , где  $n$  означает общее количество очередей, поддерживаемых на интерфейсе. Значение  $n = 7$  и соответствует количеству поддерживаемых очередей (классов трафика).

**Формат:** `cos-queue random-detect queue-id-1 [queue-id-2 ... queue-id-n]`

**Режим ввода команд:** глобальная конфигурация  
конфигурирование интерфейса

### *no cos-queue random-detect*

Используйте эту команду, чтобы выключить WRED и восстановить таким образом операцию отброса последнего элемента для указанных очередей на интерфейсе.

**Формат:** `no cos-queue random-detect queue-id-1 [queue-id-2 ... queue-id-n]`

**Режим ввода команд:** глобальная конфигурация  
конфигурирование интерфейса

### ***cos-queue strict***

Эта команда активирует режим планировщика со строгим приоритетом для каждой указанной очереди на интерфейсе, диапазоне интерфейсов или всех интерфейсах.

**Формат:** `cos-queue strict queue-id-1 [queue-id-2 ... queue-id-n]`

**Режим ввода команд:** глобальная конфигурация  
конфигурирование интерфейса

### ***no cos-queue strict***

Эта команда восстанавливает режим взвешенного планировщика по умолчанию для каждой указанной очереди.

**Формат:** `no cos-queue strict queue-id-1 [queue-id-2 ... queue-id-n]`

**Режим ввода команд:** глобальная конфигурация  
конфигурирование интерфейса

### ***random-detect***

Данная команда может включить функцию WRED для всего интерфейса и доступна только тогда, когда активация WRED для конкретных очередей не поддерживается устройством. Параметры WRED настраиваются с помощью команд `random-detect queue-parms` и `random-detect exponential-weighting-constant`.

При выполнении в режиме конфигурирования интерфейса команда действует только на один интерфейс, а в режиме глобальной конфигурации применяется для всех интерфейсов.

**Формат:** `random-detect`

**Режим ввода команд:** глобальная конфигурация  
конфигурирование интерфейса

### ***no random-detect***

Используйте эту команду, чтобы выключить WRED и восстановить таким образом операцию отброса последнего элемента для всех очередей на интерфейсе.

**Формат:** `no random-detect`

**Режим ввода команд:** глобальная конфигурация  
конфигурирование интерфейса

### ***random-detect exponential weighting-constant***

Эта команда используется для настройки степени затухания WRED для интерфейса CoS-очереди.

**Формат:** `random-detect exponential-weighting-constant 0-15`

**Режим ввода команд:** глобальная конфигурация  
конфигурирование интерфейса

### *no random-detect exponential-weighting-constant*

Используйте эту команду, чтобы установить степень затухания WRED в значение по умолчанию.

**Формат:** `no random-detect exponential-weighting-constant`

**Режим ввода команд:** глобальная конфигурация  
конфигурирование интерфейса

### *random-detect queue-parms*

Данная команда используется для настройки параметров WRED для каждого уровня приоритета отбрасывания, поддерживаемого очередью. Команда используется только тогда, когда включена настройка параметров для каждой COS-очереди (с помощью команды `cos-queue random-detect`).

**Формат:** `random-detect queue-parms queue-id-1 [queue-id-2 ... queue-id-n] min-thresh thresh-prec-1 ... thresh-prec-n max-thresh thresh-prec-1 ... thresh-prec-n drop-probability prob-prec-1 ... prob-prec-n`

**Режим ввода команд:** глобальная конфигурация  
конфигурирование интерфейса

Каждый параметр указывается для каждого возможного значения приоритета отбрасывания (цвета TCP-трафика). Последнее значение приоритета применяется ко всему трафику, не относящемуся к TCP. Например, при трехцветной системе указывается четыре значения для каждого параметра: для зеленого TCP-трафика, желтого TCP-трафика, красного TCP-трафика и трафика, не относящегося к TCP.

<i>Термин</i>	<i>Значение</i>
<b>min-thresh</b>	Минимальный порог глубины очереди (в процентах), при котором WRED начинает маркировку и отброс трафика.
<b>max-thresh</b>	Максимальный порог глубины очереди (в процентах), при превышении которого WRED маркирует/отбрасывает весь трафик.
<b>drop-probability</b>	Вероятность (в процентах) того, что WRED маркирует/отбросит пакет, если глубина очереди приближается к максимальному порогу. (Вероятность отброса возрастает линейно от 0 при уровне, близком к минимальному порогу, до указанного значения при максимальном пороге глубины очереди, а затем доходит до 100% при его превышении).

### *no random-detect queue-parms*

Используйте эту команду, чтобы установить конфигурацию WRED в значение по умолчанию.

**Формат:** `no random-detect queue-parms queue-id-1 [queue-id-2 ... queue-id-n]`

**Режим ввода команд:** глобальная конфигурация  
конфигурирование интерфейса

## *traffic-shape*

Эта команда определяет максимальную пропускную способность передачи для интерфейса в целом. Значение пропускной способности может быть от 0 до 100 с шагом 1. Это значение можно указать для диапазона интерфейсов или для всех интерфейсов. Эту операцию также называют ограничением скорости исходящего трафика, она помогает распределить временные всплески трафика по времени, ограничивая объем передаваемого трафика.

**Формат:** traffic-shape bw  
**Режим ввода команд:** глобальная конфигурация  
 конфигурирование интерфейса

## *no traffic-shape*

Данная команда возвращает уровень ограничения скорости в значение по умолчанию.

**Формат:** no traffic-shape  
**Режим ввода команд:** глобальная конфигурация  
 конфигурирование интерфейса

## *show classofservice dot1p-mapping*

Используйте эту команду для отображения текущей привязки приоритетов dot1p (802.1p) к внутренним классам трафика на указанном интерфейсе. Если указан параметр unit/slot/port, отображается таблица привязки 802.1p данного интерфейса. Если этот параметр опущен, отображаются последние настройки глобальной конфигурации.

**Формат:** show classofservice dot1p-mapping [unit/slot/port]  
**Режим ввода команд:** привилегированный

<i>Термин</i>	<i>Значение</i>
User Priority	Значение 802.1p-приоритета пользователя.
Traffic Class	Идентификатор очереди внутреннего класса трафика, к которой привязано значение приоритета пользователя.

## *show classofservice ip-dscp-mapping*

Эта команда отображает текущую привязку IP DSCP к внутренним классам трафика для глобальной конфигурации.

**Формат:** show classofservice ip-dscp-mapping  
**Режим ввода команд:** привилегированный

Следующая информация повторяется для каждого приоритета пользователя.

<i>Термин</i>	<i>Значение</i>
IP DSCP	Значение IP DSCP.
Traffic Class	Идентификатор очереди внутреннего класса трафика, к которой привязано значение IP DSCP.

### ***show classofservice trust***

Эта команда отображает текущую настройку режима надежности для указанного интерфейса. Если указан интерфейс unit/slot/port, команда отображает режим надежности для этого интерфейса. Если интерфейс не указан, команда отображает последние настройки глобальной конфигурации.

**Формат:** `show classofservice trust [unit/slot/port]`

**Режим ввода команд:** привилегированный

<i>Термин</i>	<i>Значение</i>
<b>Class of Service Trust Mode</b>	Режим надежности, возможные значения: dot1p, IP DSCP или Untrusted.
<b>Non-IP Traffic Class</b>	Только в режиме IP DSCP. Класс для трафика, не относящегося к TCP.
<b>Untrusted Traffic Class</b>	Только в режиме Untrusted. Класс для всего ненадежного трафика.

### ***show interfaces cos-queue***

Данная команда отображает конфигурацию CoS-очереди для указанного интерфейса. Если указан параметр unit/slot/port, отображается конфигурация CoS-очереди для указанного интерфейса. Если этот параметр опущен, отображаются последние настройки глобальной конфигурации.

**Формат:** `show interfaces cos-queue [unit/slot/port]`

**Режим ввода команд:** привилегированный

<i>Термин</i>	<i>Значение</i>
<b>Interface Shaping Rate</b>	Глобальный уровень ограничения скорости на интерфейсе.
<b>WRED Decay Exponent</b>	Глобальное значение степени затухания WRED.
<b>Queue Id</b>	Интерфейс поддерживает 7 очередей, пронумерованных от 0 до 6
<b>Minimum Bandwidth</b>	Гарантированная минимальная пропускная способность для очереди, выраженная в процентах. Значение 0 означает, что пропускная способность не гарантируется и очередь работает по принципу максимально возможных значений.
<b>Maximum Bandwidth</b>	Гарантированная максимальная пропускная способность для очереди, выраженная в процентах. Значение 0 означает, что пропускная способность не гарантируется и очередь работает по принципу максимально возможных значений.
<b>Scheduler Type</b>	Указывает, запланирована эта очередь для передачи со строгим приоритетом или с использованием взвешенной схемы.
<b>Queue Management Type</b>	Используемая техника управления глубиной очереди (отброс последнего элемента).

Если указан интерфейс, команда дополнительно отображает следующую информацию.

<i>Термин</i>	<i>Значение</i>
<b>Interface</b>	unit/slot/port указанного интерфейса. При выводе в режиме глобальной конфигурации эта строка заменяется информированием глобальной конфигура-

	ции.
<b>Interface Shaping Rate</b>	Максимальная пропускная способность передачи для интерфейса в целом. Этот параметр не зависит от максимальных значений пропускной способности отдельных очередей на интерфейсе.
<b>WRED Decay Exponent</b>	Настроенная степень затухания WRED для интерфейса CoS-очереди.

### ***show interfaces random-detect***

Эта команда отображает глобальные настройки WRED для каждой CoS-очереди. При указании unit/slot/port команда отображает настройки WRED для каждой CoS-очереди на указанном интерфейсе.

**Формат:** `show interfaces random-detect [unit/slot/port]`

**Режим ввода команд:** привилегированный

<i>Термин</i>	<i>Значение</i>
<b>Queue ID</b>	Интерфейс поддерживает 7 очередей, пронумерованных от 0 до 6
<b>WRED Minimum Threshold</b>	Настроенный минимальный порог глубины очереди (в процентах), при котором WRED начинает маркировку и отброс трафика.
<b>WRED Maximum Threshold</b>	Настроенный максимальный порог глубины очереди (в процентах), при превышении которого WRED выполняет маркировку и отброс всего трафика.
<b>WRED Drop Probability</b>	Настроенная вероятность (в процентах) того, что WRED маркирует/отбросит пакет, если глубина очереди приближается к максимальному порогу. (Вероятность отброса возрастает линейно от 0 при уровне, близком к минимальному порогу, до указанного значения при максимальном пороге глубины очереди, а затем доходит до 100% при его превышении).

### ***show interfaces tail-drop-threshold***

Эта команда отображает информацию о пороге отброса последнего элемента. При указании unit/slot/port команда отображает информацию о пороге отброса последнего элемента на указанном интерфейсе.

**Формат:** `show interfaces tail-drop-threshold [unit/slot/port]`

**Режим ввода команд:** привилегированный

## **13.2 Команды настройки Differentiated Services**

В этой части описываются команды, которые вы используете для настройки QoS Differentiated Services (DiffServ). Настройка DiffServ осуществляется в несколько этапов путем указания трех компонентов DiffServ.

### 1 Класс

- a. Создание и удаление классов.
- b. Определение критериев соответствия для класса.

### 2 Политика

- a. Создание и удаление политик.



- b. Соотнесение классов с политикой.
- c. Формирование записей политик для сочетаний классов и политик.

### 3 Сервис

- a. Добавление политики к входящему интерфейсу или ее удаление.

Класс DiffServ определяет критерии фильтрации пакетов. Атрибуты политики DiffServ определяют способ отработки пакетов на коммутаторе. Атрибуты политики можно задать для каждого экземпляра класса. Коммутатор применяет эти атрибуты, когда происходит совпадение.

Обработка пакетов начинается в тот момент, когда коммутатор проверяет критерии соответствия для пакета. Коммутатор применяет к пакету политику, когда он находит совпадение класса в рамках этой политики.

При создании класса DiffServ применяются следующие правила.

- Каждый класс может содержать не более одного ссылочного (вложенного) класса.
- Определения классов не поддерживают иерархические политики сервисов.

Определение класса может содержать не более одной ссылки на другой класс. Можно комбинировать ссылки с другими критериями соответствия. При ссылке указывается действительный ссылочный класс, а не его копия, поскольку дополнения к ссылочному классу будут влиять на все классы, которые ссылаются на него. Изменения в любом определении класса, на который в данный момент ссылается некий другой класс, должны приводить к действительному определению для всех производных классов, в противном случае коммутатор отклонит изменения. Ссылку на класс можно удалить из определения класса.

Существует лишь один способ удалить индивидуальный критерий соответствия из существующего определения класса: удалить этот класс и создать его заново.



**Возможности маркировки для применения политик включают CoS, IP DSCP и IP Precedence. В то время как две последние имеют смысл только для типов IP-пакетов, маркировка с использованием CoS применима как для IP-пакетов, так и для прочих, поскольку в этом случае происходит обновление поля 802.1p-приоритета пользователя в теге VLAN, используемом в заголовке пакетов layer 2.**

### *diffserv*

Эта команда устанавливает оперативный режим DiffServ в активное состояние. Если режим DiffServ выключен, его конфигурация сохраняется и доступна для редактирования, но не активирована. Если режим включен, сервисы DiffServ активируются.

**Формат:** `diffserv`

**Режим ввода команд:** глобальная конфигурация

### *no diffserv*

Данная команда устанавливает оперативный режим DiffServ в неактивное состояние. Если режим DiffServ выключен, его конфигурация сохраняется и доступна для редактирования, но не активирована. Если режим включен, сервисы DiffServ активируются.

**Формат:** `no diffserv`

**Режим ввода команд:** глобальная конфигурация

### 13.3 Команды настройки класса DiffServ

Используйте команды настройки класса DiffServ, чтобы задать настройки классификации трафика. Для классификации трафика необходимо указать параметр Behavior Aggregate (BA) на основе классов трафика DSCP и Multi-Field (MF) (указывается имя и критерии соответствия).

Данная группа команд состоит из команд создания/удаления класса и команд сопоставления классов, определяющих общие критерии соответствия для Layer 3 и Layer 2, а также общие критерии соответствия. Критерии соответствия класса также известны как правила класса, где определение класса состоит из одного или нескольких правил, идентифицирующих принадлежащий к данному классу трафик.



**После создания критерия соответствия для класса изменить или удалить этот критерий нельзя. Чтобы изменить или удалить критерий соответствия класса, необходимо удалить и заново создать весь класс.**

Корень этой группы команд в CLI — `class-map`.

#### *class-map*

Эта команда определяет класс DiffServ для общего соответствия. При использовании команды без каких-либо условий соответствия команда выполняет вход в режим `class-map`. `class-map-name` представляет собой буквенно-цифровую строку длиной от 1 до 31 символа с учетом регистра и однозначно идентифицирует существующий класс DiffServ.



**Значение `default` для `class-map-name` является зарезервированным и не должно использоваться.**

Тип класса `match-all` указывает, что для пакетов, причисляемых к классу, должны выполняться все индивидуальные условия соответствия. Эта команда может использоваться без указания типа класса для входа в режим конфигурирования Class-Map для существующего класса DiffServ.



**Необязательные ключевые слова `[{ipv4 | IPv6}]` определяют протокол Layer 3 для данного класса. Значение по умолчанию (если иное не указано) — IPv4.**



**Если эта команда успешно выполняется, в зависимости от указанного ключевого слова `[{IPv4 | IPv6}]` CLI переходит в режим конфигурирования Class-Map или IPv6-Class-Map.**

**Формат:** `class-map match-all class-map-name [{ipv4 | IPv6}]`

**Режим ввода команд:** глобальная конфигурация

#### *no class-map*

Эта команда удаляет существующий класс DiffServ. `class-map-name` является именем существующего класса DiffServ. (Имя класса `default` зарезервировано и здесь не применимо.) Эта команда может быть выполнена в любое время; но если на данный класс ссылается хотя бы одна политика или другой класс, удаление заканчивается ошибкой.

**Формат:** `no class-map class-map-name`

**Режим ввода команд:** глобальная конфигурация

### ***class-map rename***

Данная команда изменяет имя класса DiffServ. `class-map-name` является именем существующего класса DiffServ. Параметр `new-class-map-name` представляет собой буквенно-цифровую строку длиной от 1 до 31 символа с учетом регистра и однозначно идентифицирует класс.

**Значение по умолчанию:** отсутствует

**Формат:** `class-map rename class-map-name new-class-map-name`

**Режим ввода команд:** глобальная конфигурация

### ***match ethertype***

Эта команда добавляет к определению указанного класса условие соответствия, основанное на значении Ethertype. Значение ethertype определяется как одно из следующих ключевых слов: `appletalk`, `arp`, `ibmsna`, `ipv4`, `IPv6`, `ipx`, `mplsmcast`, `mplsucast`, `netbios`, `novell`, `pppoe`, `garp` или как пользовательское значение Ethertype в диапазоне `0x0600–0xFFFF`. Используйте опцию `[not]` для указания отрицательного условия соответствия.

**Формат:** `match [not] ethertype {keyword | custom 0x0600-0xFFFF}`

**Режим ввода команд:** конфигурирование Class-Map  
конфигурирование IPv6-Class-Map

### ***match any***

Эта команда добавляет к определению указанного класса условие соответствия, согласно которому принадлежащими к классу считаются все пакеты. Используйте опцию `[not]` для указания отрицательного условия соответствия.

**Значение по умолчанию:** отсутствует

**Формат:** `match [not] any`

**Режим ввода команд:** конфигурирование Class-Map  
конфигурирование IPv6-Class-Map

### ***match class-map***

Эта команда добавляет к определению указанного класса набор условий соответствия, определенных для другого класса. Параметр `refclassname` — это имя существующего класса DiffServ, условия которого должны быть добавлены к определению указанного класса.

**Значение по умолчанию:** отсутствует

**Формат:** `match class-map refclassname`

**Режим ввода команд:** конфигурирование Class-Map  
конфигурирование IPv6-Class-Map



- Параметры `refclassname` и `class-map-name` не могут быть одинаковыми.
- Класс может ссылаться только на один другой класс.
- Любые попытки удалить класс `refclassname`, пока на него ссылается класс `class-map-name`, будут заканчиваться ошибками.
- Объединенные критерии соответствия для `class-map-name` и `refclassname` должны представлять собой разрешенную комбинацию на основе типа класса.
- Любые последующие изменения в критерии соответствия класса `refclassname` должны оставаться в рамках этой разрешенной комбинации, иначе попытка изменения будет отклонена.
- Общее количество правил класса, образованных полной цепочкой ссылочного класса, не должно превышать максимальное значение для конкретной платформы. В некоторых случаях, каждое правило, удаленное из ссылочного класса, уменьшает максимальное число доступных правил для определения класса на единицу.

### *no match class-map*

Эта команда удаляет из определения указанного класса набор условий соответствия другого класса. Параметр `refclassname` — это имя существующего класса DiffServ, условия которого должны быть добавлены к определению указанного класса.

**Формат:** `no match class-map refclassname`  
**Режим ввода команд:** конфигурирование Class-Map  
 конфигурирование IPv6-Class-Map

### *match cos*

Эта команда добавляет к определению указанного класса условие соответствия для значения Class of Service (это единственный тег в пакете или первый/внешний 802.1Q-тег в пакете Double VLAN). Значение может быть от 0 до 7. Используйте опцию `[not]` для указания отрицательного условия соответствия.

**Значение по умолчанию:** отсутствует  
**Формат:** `match [not] cos 0-7`  
**Режим ввода команд:** конфигурирование Class-Map  
 конфигурирование IPv6-Class-Map

### *match secondary-cos*

Эта команда добавляет к определению указанного класса условие соответствия для вторичного значения Class of Service (это внутренний 802.1Q-тег в пакете Double VLAN). Значение может быть от 0 до 7. Используйте опцию `[not]` для указания отрицательного условия соответствия.

**Значение по умолчанию:** отсутствует  
**Формат:** `match [not]secondary-cos 0-7`  
**Режим ввода команд:** конфигурирование Class-Map  
 конфигурирование IPv6-Class-Map

### *match destination-address mac*

Эта команда добавляет к определению указанного класса условие соответствия, основанное на значении целевого MAC-адреса пакета. Параметр `macaddr` является любым MAC-адресом layer 2

в формате шести двузначных шестнадцатеричных чисел, разделенных двоеточиями (например, 00:11:22:dd:ee:ff). Параметр `macmask` представляет собой маску несмежных битов MAC-адреса layer 2, в формате шести двузначных шестнадцатеричных чисел, разделенных двоеточиями (например, ff:07:23:ff:fe:dc). Используйте опцию `[not]` для указания отрицательного условия соответствия.

**Значение по умолчанию:** отсутствует

**Формат:** `match [not] destination-address mac macaddr macmask`

**Режим ввода команд:** конфигурирование Class-Map  
конфигурирование IPv6-Class-Map

### ***match dstip***

Эта команда добавляет к определению указанного класса условие соответствия, основанное на значении целевого IP-адреса пакета. Параметр `ipaddr` определяет IP-адрес. Параметр `ipmask` определяет маску битов IP-адреса и должен состоять из набора смежных ведущих единичных битов. Используйте опцию `[not]` для указания отрицательного условия соответствия.

**Значение по умолчанию:** отсутствует

**Формат:** `match [not] dstip ipaddr ipmask`

**Режим ввода команд:** конфигурирование Class-Map

### ***match dstip6***

Эта команда добавляет к определению указанного класса условие соответствия, основанное на значении целевого IPv6-адреса пакета. Используйте опцию `[not]` для указания отрицательного условия соответствия.

**Значение по умолчанию:** отсутствует

**Формат:** `match [not] dstip6 destination-IPv6-prefix/prefix-length`

**Режим ввода команд:** конфигурирование IPv6-Class-Map

### ***match dstl4port***

Эта команда добавляет к определению указанного класса условие соответствия, которое основано на порте назначения layer 4; при этом используется одно ключевое слово или числовое обозначение. Чтобы задать условие соответствия как одно ключевое слово, значение `portkey` должно быть одним из поддерживаемых ключевых слов для имени порта. В настоящее время поддерживаются следующие значения `portkey`: `domain`, `echo`, `ftp`, `ftpdata`, `http`, `smtp`, `snmp`, `telnet`, `tftp`, `www`. Каждое из них переводится в эквивалентный номер порта. Чтобы задать условие соответствия с использованием числового обозначения, требуется один номер порта layer 4. Номер порта представляет собой целое число от 0 до 65535. Используйте опцию `[not]` для указания отрицательного условия соответствия.

**Значение по умолчанию:** отсутствует

**Формат:** `match [not] dstl4port {portkey | 0-65535}`

**Режим ввода команд:** конфигурирование Class-Map  
конфигурирование IPv6-Class-Map

### ***match ip dscp***

Данная команда добавляет к определению указанного класса условие соответствия на основе значения поля IP DiffServ Code Point (DSCP) в пакете. Это значение определяется как высокоуровневые шесть битов октета Service Type в IP-заголовке (два низкоуровневых бита не проверяются).

Значение `dscpval` определяется как целое число от 0 до 63 или символически как одно из следующих ключевых слов: `af11`, `af12`, `af13`, `af21`, `af22`, `af23`, `af31`, `af32`, `af33`, `af41`, `af42`, `af43`, `be`, `cs0`, `cs1`, `cs2`, `cs3`, `cs4`, `cs5`, `cs6`, `cs7`, `ef`. Используйте опцию `[not]` для указания отрицательного условия соответствия.



**Условия соответствия IP DSCP, IP Precedence и ip tos являются альтернативными способами указания критерия соответствия для того же поля Service Type в IP-заголовке, но с несколько иным обозначением пользователя.**

**Значение по умолчанию:** отсутствует  
**Формат:** `match [not] ip dscp dscpval`  
**Режим ввода команд:** конфигурирование Class-Map  
 конфигурирование IPv6-Class-Map

### *match ip precedence*

Данная команда добавляет к определению указанного класса условие соответствия на основе значения поля IP Precedence в пакете. Это значение определяется как высокоуровневые три бита октета Service Type в IP-заголовке (пять низкоуровневых битов не проверяются). Значение `precedence` представляет собой целое число от 0 до 7. Используйте опцию `[not]` для указания отрицательного условия соответствия.



**Условия соответствия IP DSCP, IP Precedence и IP ToS являются альтернативными способами указания критерия соответствия для того же поля Service Type в IP-заголовке, но с несколько иным обозначением пользователя.**

**Значение по умолчанию:** отсутствует  
**Формат:** `match [not] ip precedence 0-7`  
**Режим ввода команд:** конфигурирование Class-Map

### *match ip tos*

Эта команда добавляет к определению указанного класса условие соответствия на основе значения поля IP TOS в пакете. Это значение определяется как все восемь битов октета Service Type в IP-заголовке. Значение `tosbits` является двузначным шестнадцатеричным числом от 00 до ff. Значение `tosmask` является двузначным шестнадцатеричным числом от 00 до ff. `tosmask` обозначает позиции битов в `tosbits`, которые используются для сравнения с полем IP TOS в пакете. Например, для проверки IP-TOS значения, имеющего настроенные биты 7 и 5 и пустой бит 1, где бит 7 является наиболее важным, используйте значение `tosbits a0` (шестн.) и `tosmask a2` (шестн.). Используйте опцию `[not]` для указания отрицательного условия соответствия.



**Условия соответствия IP DSCP, IP Precedence и IP ToS являются альтернативными способами указания критерия соответствия для того же поля Service Type в IP-заголовке, но с несколько иным обозначением пользователя.**



**Эта версия «свободной формы» для условий соответствия IP DSCP/Precedence/TOS дает пользователю полный контроль над тем, какие биты поля Service Type будут проверяться.**

**Значение по умолчанию:** отсутствует  
**Формат:** `match [not] ip tos tosbits tosmask`

**Режим ввода команд:** конфигурирование Class-Map

### ***match ip6flowlbl***

Используйте эту команду, чтобы ввести значение IPv6 Flow Label. Используйте опцию [not] для указания отрицательного условия соответствия.

**Значение по умолчанию:** отсутствует

**Формат:** match [not] ip6flowlbl label 0-1048575

**Режим ввода команд:** конфигурирование IPv6-Class-Map

### ***match protocol***

Данная команда добавляет к определению указанного класса условие соответствия, которое основано на значении поля IP Protocol в пакете; при этом используется одно ключевое слово или числовое обозначение.

Чтобы задать условие соответствия как определение из одного ключевого слова, значение protocol-name должно быть одним из поддерживаемых ключевых слов для имени протокола. В настоящее время поддерживаются следующие значения: icmp, igmp, ip, tcp, udp. Значение ip подходит для любого значения номера протокола.

Чтобы задать условие соответствия с помощью числового обозначения, номер протокола рассматривается как стандартное значение, присвоенное IANA, и интерпретируется как целое число от 0 до 255. Используйте опцию [not] для указания отрицательного условия соответствия.



**Эта команда не проверяет значение номера протокола по текущему списку IANA.**

**Значение по умолчанию:** отсутствует

**Формат:** match [not] protocol {protocol-name | 0-255}

**Режим ввода команд:** конфигурирование Class-Map  
конфигурирование IPv6-Class-Map

### ***match source-address mac***

Эта команда добавляет к определению указанного класса условие соответствия на основе MAC-адреса источника пакета. Параметр address является любым MAC-адресом layer 2 в формате шести двузначных шестнадцатеричных чисел, разделенных двоеточиями (например, 00:11:22:dd:ee:ff). Параметр mask представляет собой маску несмежных битов MAC-адреса layer 2, в формате шести двузначных шестнадцатеричных чисел, разделенных двоеточиями (например, ff:07:23:ff:fe:dc). Используйте опцию [not] для указания отрицательного условия соответствия.

**Значение по умолчанию:** отсутствует

**Формат:** match [not] source-address mac address mask

**Режим ввода команд:** конфигурирование Class-Map  
конфигурирование IPv6-Class-Map

### ***match srcip***

Эта команда добавляет к определению указанного класса условие соответствия на основе IP-адреса источника пакета. Параметр `ipaddr` определяет IP-адрес. Параметр `ipmask` определяет маску битов IP-адреса и должен состоять из набора смежных ведущих единичных битов. Используйте опцию `[not]` для указания отрицательного условия соответствия.

**Значение по умолчанию:** отсутствует  
**Формат:** `match [not] srcip ipaddr ipmask`  
**Режим ввода команд:** конфигурирование Class-Map

### ***match srcip6***

Эта команда добавляет к определению указанного класса условие соответствия на основе IPv6-адреса источника пакета. Используйте опцию `[not]` для указания отрицательного условия соответствия.

**Значение по умолчанию:** отсутствует  
**Формат:** `match [not] srcip6 source-IPv6-prefix/prefix-length`  
**Режим ввода команд:** конфигурирование IPv6-Class-Map

### ***match src14port***

Эта команда добавляет к определению указанного класса условие соответствия, которое основано на порте источника layer 4; при этом используется одно ключевое слово или числовое обозначение. Чтобы задать условие соответствия как одно ключевое слово, значение `portkey` должно быть одним из поддерживаемых ключевых слов для имени порта (см. ниже). В настоящее время поддерживаются следующие значения `portkey`: `domain`, `echo`, `ftp`, `ftpdata`, `http`, `smtp`, `snmp`, `telnet`, `tftp`, `www`. Каждое из них переводится в эквивалентный номер порта, который используется в качестве начала и конца диапазона портов.

Чтобы задать условие соответствия как числовое обозначение, требуется один номер порта layer 4. Номер порта представляет собой целое число от 0 до 65535. Используйте опцию `[not]` для указания отрицательного условия соответствия.

**Значение по умолчанию:** отсутствует  
**Формат:** `match [not] src14port {portkey | 0-65535}`  
**Режим ввода команд:** конфигурирование Class-Map  
конфигурирование IPv6-Class-Map

### ***match vlan***

Эта команда добавляет к определению указанного класса условие соответствия на основании значения поля идентификатора VLAN layer 2 (это единственный тег в пакете с одним тегом или первый/внешний тег в пакете Double VLAN). Идентификатор VLAN представляет собой целое число от 0 до 4093. Используйте опцию `[not]` для указания отрицательного условия соответствия.

**Значение по умолчанию:** отсутствует  
**Формат:** `match [not] vlan 0-4093`  
**Режим ввода команд:** конфигурирование Class-Map  
конфигурирование IPv6-Class-Map



## ***match secondary-vlan***

Эта команда добавляет к определению указанного класса условие соответствия на основании значения поля идентификатора вторичной VLAN layer 2 (внутренний тег 802.1Q в пакете VLAN с двойным тегом). Идентификатор вторичной VLAN — это целое число от 0 до 4093. Используйте опцию [not] для указания отрицательного условия соответствия.



**Эта команда недоступна на платформе 5630х.**

<b>Значение по умолчанию:</b>	отсутствует
<b>Формат:</b>	<code>match [not] secondary-vlan 0-4093</code>
<b>Режим ввода команд:</b>	конфигурирование Class-Map конфигурирование IPv6-Class-Map

## **13.4 Команды настройки политики DiffServ**

Используйте команды настройки политик DiffServ, чтобы определить действия по обработке трафика, такие как применение политик и маркировка для распределения по классам трафика

Команды настройки политик помогают связать класс трафика, который можно определить с помощью набора команд настройки класса с одним или несколькими атрибутами QoS-политики. Для интерфейса назначается связь класса и политики с целью формирования сервиса. При создании политики необходимо указать имя.

Каждый класс трафика определяет особый режим обработки для пакетов, которые соответствуют определению класса. С одной политикой можно связать несколько классов трафика. Когда пакет удовлетворяет условиям более чем одного класса, выбор основывается на том порядке, в котором классы добавлены к политике. Класс, добавленный первым, имеет наивысший приоритет.

Данная группа команд состоит из команд для создания/удаления политики, добавления/удаления класса, а также отдельных атрибутов политики.



**Единственный способ удалить отдельный атрибут политики из экземпляра класса в рамках политики заключается в удалении экземпляра класса и повторном его добавлении к политике. Значения, связанные с атрибутом существующей политики, могут быть изменены без удаления экземпляра класса.**

Корень этой группы команд в CLI — `policy-map`.

### ***assign-queue***

Эта команда настраивает идентификатор очереди, в которую назначается соответствующий поток трафика. Параметр `queueid` представляет собой целое число от 0 до 6.

<b>Формат:</b>	<code>assign-queue queueid</code>
<b>Режим ввода команд:</b>	конфигурирование политик Class-Map
<b>Несовместимые команды:</b>	Drop

## **drop**

Данная команда указывает, что все пакеты для соответствующего потока трафика должны быть отброшены на входе.

- Формат:** drop
- Режим ввода команд:** конфигурирование политик Class-Map
- Несовместимые команды:** Assign Queue, Mark (все формы), Mirror, Police, Redirect

## **mirror**

Эта команда указывает, что все входящие пакеты для соответствующего потока трафика копируются на указанный выходной интерфейс (физический или LAG-интерфейс).

- Формат:** mirror unit/slot/port
- Режим ввода команд:** конфигурирование политик Class-Map
- Несовместимые команды:** Drop, Redirect

## **redirect**

Эта команда указывает, что все входящие пакеты для соответствующего потока трафика направляются на указанный выходной интерфейс (физический или LAG-интерфейс).

- Формат:** redirect unit/slot/port
- Режим ввода команд:** конфигурирование политик Class-Map
- Несовместимые команды:** Drop, Mirror

## **conform-color**

Используйте эту команду, чтобы включить политики трафика на основании цвета и указать привязку классов для соответствующих цветов. Используется в сочетании с командой политики, где указаны поля для соответствующего уровня. Параметр class-map-name является именем существующего класса привязки DiffServ.



**Эту команду можно использовать только после указания команды политики для данного экземпляра класса политики.**

- Формат:** conform-color class-map-name
- Режим ввода команд:** конфигурирование политик Class-Map

## **class**

Эта команда создает экземпляр определения класса в рамках указанной политики с целью определения обработки класса трафика через последующие атрибуты политики. Параметр *classname* — это имя существующего класса DiffServ.



**Эта команда приводит к тому, что указанная политика создает ссылку на определение класса.**

**Формат:** class classname  
**Режим ввода команд:** конфигурирование Policy-Map

### *no class*

Данная команда удаляет экземпляр определенного класса и его заданную обработку из указанной политики.

Параметр *classname* — это имя существующего класса DiffServ.



**Эта команда удаляет ссылку на определение класса для указанной политики.**

**Формат:** no class classname  
**Режим ввода команд:** конфигурирование Policy-Map

### *mark cos*

Эта команда маркирует все пакеты для соответствующего потока трафика с указанным значением CoS в поле приоритета заголовка 802.1p (это единственный тег в пакете или первый/внешний 802.1Q-тег в пакете Double VLAN). Если пакет еще не содержит такой заголовок, он добавляется. Значение CoS представляет собой целое число от 0 до 7.

**Значение по умолчанию:** 1  
**Формат:** mark-cos 0-7  
**Режим ввода команд:** конфигурирование политик Class-Map  
**Несовместимые команды:** Drop, Mark IP DSCP, IP Precedence, Police

### *mark secondary-cos*

Данная команда маркирует внешние теги VLAN в пакетах для соответствующего потока трафика как вторичные значения CoS.

**Значение по умолчанию:** 1  
**Формат:** mark secondary-cos 0-7  
**Режим ввода команд:** конфигурирование политик Class-Map  
**Несовместимые команды:** Drop, Mark IP DSCP, IP Precedence, Police

### *mark cos-as-sec-cos*

Эта команда маркирует биты приоритета внешнего тега VLAN всех пакетов в качестве внутреннего приоритета VLAN тегов. По сути это означает, что внутренние CoS-теги VLAN копируются во внешние CoS-теги VLAN.

**Формат:** mark-cos-as-sec-cos  
**Режим ввода команд:** конфигурирование политик Class-Map  
**Несовместимые команды:** Drop, Mark IP DSCP, IP Precedence, Police

## **mark ip-dscp**

Эта команда маркирует все пакеты для связанного потока трафика с указанным значением IP DSCP.

Значение *dscpval* определяется как целое число от 0 до 63 или символически как одно из следующих ключевых слов: af11, af12, af13, af21, af22, af23, af31, af32, af33, af41, af42, af43, be, cs0, cs1, cs2, cs3, cs4, cs5, cs6, cs7, ef.

**Формат:** `mark ip-dscp dscpval`  
**Режим ввода команд:** конфигурирование политик Class-Map  
**Несовместимые команды:** Drop, Mark CoS, Mark IP Precedence, Police

## **mark ip-precedence**

Эта команда маркирует все пакеты для связанного потока трафика с указанным значением IP Precedence. Значение IP Precedence представляет собой целое число от 0 до 7.



**Эта команда не применима для классов IPv6. В IPv6 отсутствует поле приоритета.**

**Формат:** `mark ip-precedence 0-7`  
**Режим ввода команд:** конфигурирование политик Class-Map  
**Несовместимые команды:** Drop, Mark IP DSCP, IP Precedence, Police  
**Тип политики:** In

## **police-simple**

Данная команда используется для определения стиля политики трафика для указанного класса. Простая форма команды **police** настраивает только скорость передачи данных и размер пакета, в результате чего получается только два результата: трафик пропускается или отбрасывается при превышении установленных ограничений. Скорость передачи данных указана в килобитах в секунду (кбит/с) и представляет собой целое число от 1 до 4 294 967 295. Размер пакета указывается в килобайтах (КБ) и представляет собой целое число от 1 до 128.

Для каждого результата список возможных действий включает drop, set-cos-as-sec-cos, set-cos-transmit, set-sec-cos-transmit, set-dscp-transmit, set-prec-transmit или transmit. В этой простой форме команды police действие по умолчанию при соответствии — transmit, а действие по умолчанию при нарушении — drop. Когда стиль настроен, эти действия можно настроить с помощью этой же команды.

Для действия set-dscp-transmit требуется значение *dscpval* (определяется как целое число от 0 до 63 или символически через одно из следующих ключевых слов: af11, af12, af13, af21, af22, af23, af31, af32, af33, af41, af42, af43, be, cs0, cs1, cs2, cs3, cs4, cs5, cs6, cs7, ef).

Для действия set-prec-transmit требуется значение IP Precedence (определяется как целое число от 0 до 7). Для действия set-cos-transmit требуется значение 802.1p priority (определяется как целое число от 0 до 7).

**Формат:** `police-simple {1-4294967295 1-128 conform-action {drop | set-cos-as-sec-cos | set-cos-transmit 0-7 | set-sec-cos-transmit 0-7 | set-prec-transmit 0-7 | set-dscp-transmit 0-63 | transmit} [violate-action {drop | set-cos-as-sec-cos |`

```
set-cos- transmit 0-7 | set-sec-cos-transmit 0-7 | set-prec-
transmit 0-7 | set-dscp- transmit 0-63 | transmit}}}
```

**Режим ввода команд:** конфигурирование политик Class-Map

**Несовместимые команды:** Drop, Mark (все формы)

### *police-single-rate*

Эта команда является подвидом команды **police** с указанием одной скорости и используется для установления стиля политики трафика для указанного класса. Для каждого результата список возможных действий включает drop, set-cos-as-sec-cost, set-cos- transmit, set-sec-cos-transmit, set-dscp-transmit, set-prec-transmit и transmit. В данной форме команды police действие по умолчанию при соответствии — send, а действие по умолчанию при нарушении — drop. Когда стиль настроен, эти действия можно настроить с помощью этой же команды.

**Формат:**

```
police-single-rate {1-4294967295 1-128 1-128 conform-action
{drop | set-cos-as- sec-cos | set-cos-transmit 0-7 | set-
sec-cos-transmit 0-7 | set-prec-transmit 0- 7 | set-dscp-
transmit 0-63 | transmit} exceed-action {drop | set-cos-as-
sec-cos | set-cos-transmit 0-7 | set-sec-cos-transmit 0-7 |
set-prec-transmit 0-7 | set- dscp-transmit 0-63 | transmit}
[violate-action {drop | set-cos-as-sec-cos-transmit| set-
cos-transmit 0-7 | set-sec-cos-transmit 0-7 | set-prec-
transmit 0-7 | set- dscp-transmit 0-63 | transmit}}}
```

**Режим ввода команд:** конфигурирование политик Class-Map

### *police-two-rate*

Эта команда является подвидом команды **police** с указанием двух скоростей и используется для установления стиля политики трафика для указанного класса. Для каждого результата список возможных действий включает drop, set-cos-as-sec-cos, set-cos-transmit, set-sec-cos-transmit, set-dscp-transmit, set-prec-transmit и transmit. В данной форме команды police действие по умолчанию при соответствии — send, действие по умолчанию при превышении — drop, действие по умолчанию при нарушении — drop. Когда стиль настроен, эти действия можно настроить с помощью этой же команды.

**Формат:**

```
police-two-rate {1-4294967295 1-4294967295 1-128 1-128 con-
form-action {drop | set- cos-as-sec-cos | set-cos-transmit
0-7 | set-sec-cos-transmit 0-7 | set-prec- transmit 0-7 |
set-dscp-transmit 0-63 | transmit} exceed-action {drop |
set-cos- as-sec-cos | set-cos-transmit 0-7 | set-sec-cos-
transmit 0-7 | set-prec-transmit 0-7 | set-dscp-transmit 0-
63 | transmit} [violate-action {drop | set-cos-as-sec- cos |
set-cos-transmit 0-7 | set-sec-cos-transmit 0-7 | set-prec-
transmit 0-7 | set-dscp-transmit 0-63 | transmit}}}
```

**Режим ввода команд:** конфигурирование политик Class-Map

### *policy-map*

Эта команда создает новую политику DiffServ. Параметр *policyname* представляет собой буквенно-цифровую строку длиной от 1 до 31 символа с учетом регистра и однозначно идентифицирует политику. Тип политики связан с входящим направлением трафика, если указан параметр *in*, или с исходящим направлением трафика, если указан параметр *out*.



При успешном выполнении команды режим CLI изменяется на конфигурирование Policy-Map.

**Формат:** `policy-map policyname {in|out}`

**Режим ввода команд:** глобальная конфигурация

*no policy-map*

Эта команда удаляет существующую политику DiffServ. Параметр *policyname* — это имя существующей политики DiffServ. Данная команда может быть выполнена в любое время. Если на политику ссылаются один или несколько интерфейсов, попытка удаления завершается ошибкой.

**Формат:** `no policy-map policyname`

**Режим ввода команд:** глобальная конфигурация

### ***policy-map rename***

Эта команда изменяет имя политики DiffServ. Параметр *policyname* — это имя существующей политики DiffServ. Параметр *newpolicyname* представляет собой буквенно-цифровую строку длиной от 1 до 31 символа с учетом регистра и однозначно идентифицирует политику.

**Формат:** `policy-map rename policyname newpolicyname`

**Режим ввода команд:** глобальная конфигурация

## **13.5 Команды настройки сервисов DiffServ**

Используйте команды настройки сервисов DiffServ, чтобы назначить политику обработки трафика при поступлении на интерфейс. Команды сервисов закрепляют определенные политики за направлениями интерфейса. За один раз можно назначить только одну политику для интерфейса.

Эта группа команд состоит из команд добавления/удаления сервисов. Корень этой группы команд в CLI — *service-policy*.

### ***service-policy***

Эта команда назначает политику для интерфейса во входящем направлении, если указан параметр *in*, или в исходящем направлении, если указан параметр *out*. Параметр *policyname* — это имя существующей политики DiffServ. Данная команда приводит к тому, что сервис создает ссылку на политику.



Эта команда дополнительно включает DiffServ на интерфейсе во входящем направлении. Для DiffServ не существует отдельной команды перехода в административный режим.



Данная команда не будет выполнена, если какие-либо атрибуты в определении политики превышают возможности интерфейса. После того как политика успешно назначена интерфейсу, любая попытка изменить определение политики, способная привести к превышению возможностей интерфейса, заканчивается ошибкой.

**Формат:** `service-policy {in|out} policyname`

**Режим ввода команд:** глобальная конфигурация  
конфигурирование интерфейса

*no service-policy*

Эта команда открепляет политику для интерфейса во входящем направлении, если указан параметр *in*, или в исходящем направлении, если указан параметр *out*. Параметр *policyname* — это имя существующей политики DiffServ.



**Данная команда приводит к тому, что сервис удаляет ссылку на политику. Эта команда выключает DiffServ на интерфейсе во входящем или в исходящем направлении.**

**Для DiffServ не существует отдельной команды перехода в административный режим.**

**Формат:** `no service-policy {in|out} policyname`

**Режим ввода команд:** глобальная конфигурация  
конфигурирование интерфейса

### 13.6 Команды просмотра оперативного состояния DiffServ

Используйте команды просмотра оперативного состояния DiffServ для отображения информации о конфигурации и состоянии классов, политик и сервисов. Вы можете отобразить состояние DiffServ в сводном или подробном формате. Информация о состоянии отображается только тогда, когда административный режим DiffServ включен.

#### *show class-map*

Данная команда отображает всю информацию о конфигурации для указанного класса. Параметр *class-name* — это имя существующего класса DiffServ.

**Формат:** `show class-map class-name`

**Режим ввода команд:** привилегированный  
пользовательский

Если указано *class-name*, отображаются следующие поля:

<i>Термин</i>	<i>Значение</i>
<b>Class Name</b>	Название этого класса
<b>Class Type</b>	Тип класса <i>all</i> означает, что все критерии соответствия, определенные для класса, оцениваются одновременно и должны соблюдаться
<b>Class Layer3 Protocol</b>	Протокол Layer 3 для этого класса. Возможные значения: IPv4 и IPv6
<b>Match Criteria</b>	Поля Match Criteria отображаются только в том случае, если они настроены. Они отображаются в том порядке, как вводились пользователем. Поля определяются в соответствии с типом класса. Возможные поля Match Criteria: Destination IP Address, Destination Layer 4 Port, Destination MAC Address, Ethertype, Source MAC Address, VLAN, Class of Service, Every, IP DSCP, IP Precedence, IP TOS, Protocol Keyword, Reference Class, Source IP Address и Source Layer 4 Port
<b>Values</b>	Значения для Match Criteria

Если параметр Class Name не указан, команда выводит список всех определенных классов DiffServ. Отображаются следующие поля:

<i>Термин</i>	<i>Значение</i>
<b>Class Name</b>	Название этого класса (Обратите внимание, что порядок, в котором отображаются классы, не обязательно отражает порядок, в котором они были созданы.)
<b>Class Type</b>	Тип класса all означает, что все критерии соответствия, определенные для класса, оцениваются одновременно и должны соблюдаться
<b>Ref class name</b>	Имя существующего класса DiffServ, на условия которого в настоящее время ссылается указанный класс

### ***show diffserv***

Эта команда отображает состояние DiffServ General Status Group, которое включает в себя текущую настройку административного режима, а также текущее и максимальное количество строк в каждой из основных таблиц частной базы управляющей информации DiffServ. Команда не принимает дополнительных опций.

**Формат:** `show diffserv`

**Режим ввода команд:** привилегированный

<i>Термин</i>	<i>Значение</i>
<b>DiffServ Admin mode</b>	Текущее значение административного режима DiffServ
<b>Class Table Size Current/Max</b>	Текущее и максимальное количество записей (строк) в таблице Class Table
<b>Class Rule Table Size Current/Max</b>	Текущее и максимальное количество записей (строк) в таблице Class Rule Table
<b>Policy Table Size Current/Max</b>	Текущее и максимальное количество записей (строк) в таблице Policy Table
<b>Policy Instance Table Size Current/Max</b>	Текущее и максимальное количество записей (строк) в таблице Policy Instance Table
<b>Policy Attribute Table Size Current/Max</b>	Текущее и максимальное количество записей (строк) в таблице Policy Attribute Table
<b>Service Table Size Current/Max</b>	Текущее и максимальное количество записей (строк) в таблице Service Table

### ***show policy-map***

Данная команда отображает всю информацию о конфигурации для указанной политики. Параметр *policyname* — это имя существующей политики DiffServ.

**Формат:** `show policy-map [policyname]`

**Режим ввода команд:** привилегированный

Если указано Policy Name, отображаются следующие поля.

<i>Термин</i>	<i>Значение</i>
<b>Policy Name</b>	Название этой политики
<b>Policy Type</b>	Тип политики
<b>Class Members</b>	Класс, который является частью политики



Следующая информация повторяется для каждого класса, связанного с этой политикой (отображаются только те атрибуты алгоритма, которые на самом деле настроены).

<i>Термин</i>	<i>Значение</i>
<b>Assign Queue</b>	Направляет поток трафика к указанной очереди QoS. Это позволяет классификатору трафика указать, какая из поддерживаемых аппаратных очередей используется для обработки пакетов, принадлежащих к классу.
<b>Class Name</b>	Название этого класса.
<b>Committed Burst Size (KB)</b>	Размер пакета, используемый в простой политике.
<b>Committed Rate (Kbps)</b>	Скорость, используемая в простой политике.
<b>Conform Action</b>	Текущие настройки действия в отношении пакета, который признан соответствующим параметрам политики. Не отображается, если в рамках этой политики действия не выполняются.
<b>Conform Color Mode</b>	Текущая настройка цветового режима. Политики могут использовать режимы color blind или color aware. Режим color blind игнорирует цвет (маркировку) входящего пакета. Режим color aware учитывает текущую маркировку пакета при определении результатов применения политики.
<b>Conform COS</b>	Значение CoS-метки, если выполняется действие set-cos-transmit.
<b>Conform DSCP Value</b>	Значение DSCP-метки, если выполняется действие set-dscp-transmit.
<b>Conform IP Precedence Value</b>	Значение метки IP Precedence, если выполняется действие set-prec-transmit.
<b>Drop</b>	Отбрасывает пакет при получении. Это полезно для имитации списков контроля доступа с помощью DiffServ, особенно когда DiffServ и ACL не могут сосуществовать на одном интерфейсе.
<b>Exceed Action</b>	Действие в отношении трафика, который превышает параметры, заданные администратором сети.
<b>Exceed Color Mode</b>	Текущая настройка цвета избыточного трафика, которую пользователь может указать (необязательно).
<b>Mark CoS</b>	Значение CoS, заданное в 802.1p-заголовке входящих пакетов. Не отображается, если маркер cos не был указан.
<b>Mark CoS as Secondary CoS</b>	Значение вторичного приоритета 802.1p (второй/внутренний тег VLAN). Аналогично маркировке CoS (802.1p), но значение dot1p используется для повторного определения из значений dot1p во вторичном (т. е. внутреннем) теге пакета с двойными тегами.
<b>Mark IP DSCP</b>	Значение mark/re-mark, которое используется в качестве DSCP для трафика, соответствующего этому классу. Не отображается, если описание ip mark не задано.
<b>Mark IP Precedence</b>	Значение mark/re-mark, которое используется в качестве IP Precedence для трафика, соответствующего этому классу. Не отображается, если маркировка IP precedence не задана.
<b>Mirror</b>	Копирует определенный поток трафика на указанный выходной порт (физический или LAG-интерфейс). Может использоваться в дополнение к какой-либо маркировке или действиям политики.

	Может быть указано вместе с назначением очереди QoS. Это поле не отображается на платформах 5630х.
<b>Non-Conform Action</b>	Текущее значение действий в отношении пакета, который считается не соответствующим параметрам политики. Не отображается, если в рамках этой политики действия не выполняются.
<b>Non-Conform COS</b>	Значение CoS-метки, если при несоответствии выполняется действие <code>set-cos-transmit</code> .
<b>Non-Conform DSCP Value</b>	Значение DSCP-метки, если при несоответствии выполняется действие <code>set-dscp-transmit</code> .
<b>Non-Conform IP Precedence Value</b>	Значение метки IP Precedence, если при несоответствии выполняется действие <code>set-prec-transmit</code> .

<i>Термин</i>	<i>Значение</i>
<b>Peak Rate</b>	Гарантированная скорость передачи, также передает избыточный трафик до заданной пользователем пиковой скорости, понимая, что нисходящий сетевой элемент (например, политика ближайших узлов) может отбросить этот избыточный трафик. Трафик удерживается в очереди до тех пор, пока не будет передан или отброшен (в соответствии с настройками глубины очереди). Значение пиковой скорости может быть настроено для потока исходящей передачи для класса трафика AF (Assured Forwarding). Может использоваться и значение средней скорости.
<b>Peak Burst Size (PBS)</b>	Администратор сети может установить PBS в качестве средства, чтобы ограничить ущерб от ускоренной переадресации трафика. Весь избыточный трафик при этом отбрасывается.
<b>Policing Style</b>	Используемый стиль политики, если таковой имеется (простой).
<b>Redirect</b>	Принудительно направляет классифицированный поток трафика на указанный выходной порт (физический или LAG-интерфейс). Может использоваться в дополнение к какой-либо маркировке или действиям политики. Может быть указано вместе с назначением очереди QoS.

Если имя политики не указано, эта команда выводит список всех определенных политик DiffServ. Отображаются следующие поля:

<i>Термин</i>	<i>Значение</i>
<b>Policy Name</b>	Название этой политики (порядок, в котором отображаются политики, не обязательно отражает порядок, в котором они были созданы).
<b>Policy Type</b>	Тип политики (только входящие политики поддерживаются для этой платформы).
<b>Class Members</b>	Список всех имен классов, связанных с этой политикой.

### ***show diffserv service***

Данная команда отображает состояние политики сервиса для указанного интерфейса и направления. Параметр `unit/slot/port` определяет допустимый интерфейс системы.

**Формат:** `show diffserv service unit/slot/port [in | out]`

**Режим ввода команд:** привилегированный

<i>Термин</i>	<i>Значение</i>
<b>DiffServ Admin Mode</b>	Текущая настройка административного режима DiffServ. Связанная политика действует на интерфейсе только тогда, когда DiffServ находится во включенном режиме.
<b>Interface</b>	Интерфейс в формате <i>unit/slot/port</i>
<b>Direction</b>	Направление трафика на интерфейсе сервиса.
<b>Operational Status</b>	Текущий оперативный статус данного интерфейса сервиса DiffServ.
<b>Policy Name</b>	Название политики, прикрепленной к интерфейсу в указанном направлении.
<b>Policy Details</b>	Прикрепленные подробности политики, содержание которых идентично выводу команды <code>show policy-map <i>policy-mapname</i></code> (содержание не повторяется здесь для краткости).

### ***show diffserv service brief***

Эта команда отображает все интерфейсы в системе, к которым была прикреплена политика DiffServ. Параметр входящего направления не является обязательным.

**Формат:** `show diffserv service brief [in | out]`

**Режим ввода команд:** привилегированный

<i>Термин</i>	<i>Значение</i>
<b>DiffServ Mode</b>	Текущая настройка административного режима DiffServ. Связанная политика активна на интерфейсе только тогда, когда DiffServ находится в включенном режиме.

Следующая информация повторяется для интерфейсов и направлений (отображаются только те интерфейсы, которые были настроены с прикрепленным алгоритмом).

<i>Термин</i>	<i>Значение</i>
<b>Interface</b>	Интерфейс в формате <i>unit/slot/port</i>
<b>Direction</b>	Направление трафика на интерфейсе сервиса.
<b>OperStatus</b>	Текущий оперативный статус данного интерфейса сервиса DiffServ.
<b>Policy Name</b>	Название политики, прикрепленной к интерфейсу в указанном направлении.

### ***show policy-map interface***

Данная команда отображает статистику, связанную с политиками, для указанного интерфейса и направления. Параметр *unit/slot/port* определяет допустимый интерфейс для системы. Вместо параметра *unit/slot/port* можно использовать *lag lag-intf-num* как альтернативный вариант определения LAG-интерфейса. Параметр *lag lag-intf-num* можно использовать для определения конкретного LAG-интерфейса, при этом значение *lag-intf-num* должно указывать номер порта LAG.

**Формат:** `show policy-map interface unit/slot/port [in | out]`

**Режим ввода команд:** привилегированный

<i>Термин</i>	<i>Значение</i>
<b>Interface</b>	Интерфейс в формате <i>unit/slot/port</i>
<b>Direction</b>	Направление трафика на интерфейсе сервиса.
<b>OperStatus</b>	Текущий оперативный статус данного интерфейса

	сервиса DiffServ.
<b>Policy Name</b>	Название политики, прикрепленной к интерфейсу в указанном направлении.

Следующая информация повторяется для каждого экземпляра класса в рамках этой политики.

<i>Термин</i>	<i>Значение</i>
<b>Class Name</b>	Имя этого экземпляра класса.
<b>In Discarded Packets</b>	Счетчик пакетов, по какой-либо причине отброшенных для данного экземпляра класса при DiffServ-обработке.

### ***show service-policy***

Эта команда отображает сводную статистику по политикам для всех интерфейсов в указанном направлении.

**Формат:** `show service-policy in`

**Режим ввода команд:** привилегированный

Следующая информация повторяется для каждого интерфейса и направления (отображаются только те интерфейсы, которые были настроены с прикрепленной политикой).

<i>Термин</i>	<i>Значение</i>
<b>Interface</b>	Интерфейс в формате <i>unit/slot/port</i>
<b>Operational Status</b>	Текущий оперативный статус данного интерфейса сервиса DiffServ.
<b>Policy Name</b>	Название политики, прикрепленной к интерфейсу.

## **13.7 Команды настройки MAC ACL**

Ниже описаны команды для настройки параметров списка контроля доступа (ACL) MAC. MAC ACL гарантируют, что только авторизованные пользователи получают доступ к определенным ресурсам, и блокируют любые попытки необоснованного доступа к сетевым ресурсам.

К MAC ACL применяются следующие правила.

- Максимальное количество ACL, которые можно создать, зависит от платформы. Ограничение применяется ко всем ACL, независимо от типа.
- Максимальное количество правил для всех MAC ACL зависит от платформы.
- Система поддерживает только кадры типа Ethernet II.

### ***mac access-list extended***

Эта команда создает MAC ACL с идентификацией по параметру *name*, состоящему из полей классификации, определенных для заголовка Layer 2 в кадрах Ethernet. Параметр *name* представляет собой буквенно-цифровую строку длиной от 1 до 31 символа с учетом регистра и однозначно идентифицирует MAC ACL. Если MAC ACL с указанным именем уже существует, эта команда входит в режим конфигурирования MAC Access-List, обновляя существующий MAC ACL.



**При успешном выполнении команды режим CLI сменяется на конфигурирование MAC Access-List.**

**Формат:** `mac access-list extended name`

**Режим ввода команд:** глобальная конфигурация

### *no mac access-list extended*

Эта команда удаляет MAC ACL, идентифицированный по значению *name* в системе.

**Формат:** `no mac access-list extended name`

**Режим ввода команд:** глобальная конфигурация

### *mac access-list extended rename*

Эта команда изменяет имя списка MAC ACL. Параметр *name* является именем существующего MAC ACL. Параметр *newname* представляет собой буквенно-цифровую строку длиной от 1 до 31 символа с учетом регистра и однозначно идентифицирует MAC ACL. Команда не будет выполнена, если MAC ACL с именем *newname* уже существует.

**Формат:** `mac access-list extended rename name newname`

**Режим ввода команд:** глобальная конфигурация

### *mac access-list resequence*

Используйте эту команду, чтобы изменить порядковые номера записей для указанного MAC ACL с заданным значением шага, начиная с указанного порядкового номера. Команда используется для редактирования последовательности правил ACL и изменяет порядок, в котором применяются записи. Эта команда не сохраняется в конфигурации запуска и не отображается в текущей конфигурации.



Если созданный командой порядковый номер превышает максимальный порядковый номер, создание правила ACL не удаются, выводится информационное сообщение.

**Значение по умолчанию:** 10

**Формат:** `mac access-list resequence {name| id } starting-sequence-number increment`

**Режим ввода команд:** глобальная конфигурация

Параметр	Описание
<b>starting-sequence-number</b>	Начальный порядковый номер. Диапазон — 1–2147483647. Значение по умолчанию: 10.
<b>increment</b>	Шаг увеличения. Диапазон — 1–2147483647. Значение по умолчанию: 10.

### *{deny | permit} (MAC ACL)*

Данная команда создает новое правило для текущего MAC ACL. Правило может либо запретить, либо разрешить трафик в соответствии с указанными полями классификации. Как минимум требуется указать значение MAC-адреса отправителя и получателя, каждый из которых может быть замещен с помощью ключевого слова *any* для указания любого значения в этой области. Остальные параметры команды являются необязательными, но наиболее часто используемые параметры отображаются в том же относительном порядке, как показано в формате команды.

**Формат:** `[sequence-number] {deny|permit} {srcmac | any} {dstmac | any} [ethertypekey | 0x0600- 0xFFFF] [vlan {eq 0-4095}] [cos 0-7] [[log] [time-range time-range-name] [assign-queue queue-id]] [{mirror | redirect} unit/slot/port][rate-limit rate burst-size]`

**Режим ввода команд:** конфигурирование MAC Access-List



**Явно выраженное MAC-правило deny all всегда останавливает действие ACL.**

*sequence-number* определяет порядковый номер для правила ACL. Порядковый номер указывается пользователем или генерируется устройством.

Если порядковый номер для правила не указан, используется порядковый номер на 10 больше, чем последний порядковый номер в ACL, и правило помещается в конец списка. Если это первое правило в данном ACL, ему присваивается порядковый номер 10. Если расчетный порядковый номер превышает максимальное значение номера последовательности, создание правила ACL заканчивается ошибкой. Правило не может быть создано, если оно дублирует уже существующее. Правило не может быть настроено с порядковым номером, который уже используется для другого правила.

Например, если пользователь добавляет новое правило ACL без указания порядкового номера, оно помещается в конец списка. Изменив порядковый номер, пользователь может перемещать правило ACL в другое местоположение.

Ethertype может быть определен как ключевое слово или четырехзначное шестнадцатеричное значение в диапазоне 0x0600–0xFFFF. В настоящее время поддерживаются следующие значения *ethertypekey*: *appletalk*, *arp*, *ibmsna*, *ipv4*, *IPv6*, *ipx*, *mplsmcast*, *mplsucast*, *netbios*, *novell*, *pppoe*, *rarp*. Каждое из них переводится в эквивалентное значение Ethertype.

<i>Ключевое слово Etherype</i>	<i>Соответствующее значение</i>
<b>appletalk</b>	0x809B
<b>arp</b>	0x0806
<b>ibmsna</b>	0x80D5
<b>IPv4</b>	0x0800
<b>IPv6</b>	0x86DD
<b>ipx</b>	0x8037
<b>mplsmcast</b>	0x8848
<b>mplsucast</b>	0x8847
<b>netbios</b>	0x8191
<b>novell</b>	0x8137, 0x8138
<b>pppoe</b>	0x8863, 0x8864
<b>rarp</b>	0x8035

Параметры *vlan* и *cos* относятся к идентификатору VLAN и значению пользовательского приоритета 802.1p соответственно. Для пакетов, содержащих двойной тег VLAN, это первый (или внешний) тег.

Параметр *time-range* позволяет наложить ограничение времени на правило MAC ACL, как это определено параметром *time-range-name*. Если временной диапазон с указанным именем не существует и MAC ACL, содержащий это правило ACL, применяется к интерфейсу или к VLAN, правило ACL применяется немедленно. Если временной диапазон с указанным именем существует и MAC ACL, содержащий это правило ACL, применяется к интерфейсу или к VLAN, правило ACL

применяется, если временной диапазон с указанным именем становится активным. Правило ACL не применяется, если временной диапазон с указанным именем становится неактивным.

Параметр *assign-queue* позволяет указать конкретную очередь для обработки трафика, который соответствует этому правилу. Допустимое значение *queue-id* — от 0 до 6. Параметр *assign-queue* действителен только для правил *permit*.

Параметр *mirror* позволяет трафику быть скопированным в *unit/slot/port*, а параметр *redirect* позволяет трафику быть переадресованным на указанный *unit/slot/port*. Параметры *assign-queue* и *redirect* действительны только для правил *permit*.

Необязательный атрибут *rate limit* команды *permit* позволяет разрешить только допустимую скорость передачи, настроенную в Кбит/с, и пиковый размер в килобайтах.

### *no sequence-number*

Используйте эту команду для удаления правила ACL с указанным порядковым номером из ACL.

**Формат:** *no sequence-number*

**Режим ввода команд:** конфигурирование MAC Access-List

### *mac access-group*

Эта команда либо закрепляет определенный MAC ACL, идентифицируемый по параметру *name*, к интерфейсу или набору интерфейсов, или связывает его с VLAN ID в заданном направлении. Параметр *name* должен быть именем существующего MAC ACL.

Необязательный порядковый номер может быть указан, чтобы указать порядок этого MAC ACL по отношению к другим MAC ACL, уже назначенным этому интерфейсу и направлению. Меньшее число указывает на более высокий приоритет. Если порядковый номер уже используется для этого интерфейса и направления, указанный MAC ACL заменяет используемый в настоящее время MAC ACL с этим номером. Если порядковый номер для этой команды не определен, будет использоваться порядковый номер, который на единицу больше, чем самый высокий порядковый номер для этого интерфейса и направления.

Эта команда, выполненная в режиме конфигурирования интерфейса, действует только на один интерфейс, в то время как в режиме глобальной конфигурации применяется для всех интерфейсов. Ключевое слово *VLAN* применяется только в режиме глобальной конфигурации.

Опция *control-plane* задается, чтобы применить MAC ACL на порту CPU. Пакеты управления, такие как BPDU, также отбрасываются из-за подразумеваемого присутствия правила *deny all* в конце списка. Для того, чтобы это изменить, требуется добавить разрешающие правила, которые позволят передавать пакеты управления.



**Ключевое слово *control-plane* доступно только в режиме глобальной конфигурации.**

**Формат:** `mac access-group name {{control-plane|in|out}} vlan vlan-id {in|out} [sequence 1- 4294967295]`

**Режим ввода команд:** глобальная конфигурация  
конфигурирование интерфейса

<i>Параметр</i>	<i>Описание</i>
<b>name</b>	Имя списка управления доступом.
<b>sequence</b>	Необязательный порядковый номер, который указывает порядок этого MAC ACL по отношению к другим спискам MAC ACL, уже присвоенных этому интерфейсу и направлению. Диапазон составляет от 1 до 4294967295.
<b>vlan-id</b>	Идентификатор VLAN, связанный с определенным MAC ACL в заданном направлении.

### *no mac access-group*

Эта команда удаляет MAC ACL, идентифицируемый по параметру *name*, из интерфейса в заданном направлении.

**Формат:** `no mac access-group name {{control-plane|in|out}} vlan vlan-id {in|out}}`

**Режим ввода команд:** глобальная конфигурация  
конфигурирование интерфейса

### *remark*

Эта команда добавляет новый комментарий к правилу ACL.

Используйте ключевое слово *remark*, чтобы добавить комментарий (примечание) к записям правил ACL, относящимся к IPv4, IPv6, MAC или ARP ACL. Общая длина замечания не может превышать 100 символов. Замечание может содержать символы в диапазоне A–Z, a–z, 0–9, а также специальные символы, такие как пробел, дефис, подчеркивание. Если правило ACL удаляется, удаляются и соответствующие примечания. Примечания отображаются только в команде *show running-config* и не отображаются в *show ip access-lists*.

Примечания могут быть добавлены только до создания правила. Если пользователь создает до 10 примечаний, каждое из них будет связано со следующим созданным правилом.

**Значение по умолчанию:** отсутствует

**Формат:** `remark comment`

**Режим ввода команд:** конфигурирование IPv4 Access-list  
конфигурирование IPv6 Access-list  
конфигурирование MAC Access-list  
конфигурирование ARP Access-list

### *no remark*

Используйте эту команду, чтобы удалить замечание из ACL.

Если первое вхождение замечания в ACL найдено, замечание удаляется. Повторное выполнение этой команды с тем же замечанием, удаляет замечание из следующего правила ACL, которое имеет замечание,



связанное с ним (если нет правил, настроенных с тем же замечанием). Если правил с этим замечанием больше нет, выводится сообщение об ошибке

Если такого замечания, связанного с любым правилом, не существует, при этом есть несвязанное замечание, оно удаляется.

**Значение по умолчанию:** отсутствует  
**Формат:** `no remark comment`  
**Режим ввода команд:** конфигурирование IPv4 Access-list  
 конфигурирование IPv6 Access-list  
 конфигурирование MAC Access-list  
 конфигурирование ARP Access-list

### ***show mac access-lists***

Эта команда отображает сводную информацию для всех Mac ACL и счетчик совпадения для правил ACL, соответствующих настроенному правилу ACL внутри ACL. При достижении максимального значения счетчик начинает дальнейший отсчет с нуля. Существует специальный счетчик для каждого правила ACL. Счетчики ACL не взаимодействуют с PBR-счетчиками.

Для счетчиков ACL, если правило настроено без указания RATE-LIMIT, значение счетчика является количеством переадресованных/отброшенных пакетов попадающих под данное правило. Например, для всплеска в 100 пакетов значение счетчика равно 100.

Если правило ACL настроено с RATE LIMIT, значение счетчика указывает число пакетов попадающих под данное правило независимо от отграничения скорости для данной записи.

Счетчики ACL не взаимодействуют с политиками DiffServ.

Используйте имя списка доступа для отображения подробной информации об указанном MAC ACL.



**Вывод команды может меняться в зависимости от критериев соответствия, настроенных в рамках правил в ACL.**

**Формат:** `show mac access-lists [name]`  
**Режим ввода команд:** привилегированный

<i>Термин</i>	<i>Значение</i>
<b>Rule Number</b>	Идентификатор (номер) правила, определенное в MAC ACL.
<b>Action</b>	Действие, связанное с каждым правилом. Возможные значения: Permit или Deny.
<b>Source MAC Address</b>	MAC-адрес источника для этого правила.
<b>Source MAC Mask</b>	Маска MAC-адреса источника для этого правила.
<b>Committed Rate</b>	Гарантированная скорость, определяется атрибутом ограничения скорости.
<b>Committed Burst Size</b>	Указанный размер пакета в соответствии с пиковым значением параметра.
<b>Destination MAC Address</b>	MAC-адрес назначения для этого правила.
<b>EtherType</b>	Ключевое слово EtherType или пользовательские значения для этого правила.

<b>VLAN ID</b>	Значение идентификатора VLAN или диапазон VLAN для этого правила.
<b>COS</b>	Значение COS (802.1p) для этого правила.
<b>Log</b>	Показывает, включено ли ведение журнала для правила.
<b>Assign Queue</b>	Идентификатор очереди, с которой связаны пакеты, соответствующие этому правилу.
<b>Mirror Interface</b>	Параметр unit/slot/port, на который копируются пакеты, соответствующие этому правилу.
<b>Redirect Interface</b>	Параметр unit/slot/port, на который пересылаются пакеты, соответствующие этому правилу.
<b>Time Range Name</b>	Отображает имя временного диапазона, если правило MAC ACL ссылается на таковой.
<b>Rule Status</b>	Статус правила MAC ACL (Active/Inactive).
<b>ACL Hit Count</b>	Счетчик выполнения правила ACL для пакетов, соответствующих настроенному правилу.

### 13.8 Команды настройки IP ACL

Ниже описаны команды для настройки параметров списка контроля доступа (ACL) IP. IP ACL гарантируют, что только авторизованные пользователи получают доступ к определенным ресурсам, и блокируют любые попытки необоснованного доступа к сетевым ресурсам.

К IP ACL применяются следующие правила:

- Коммутатор не поддерживает конфигурацию IP ACL для фрагментов IP-пакетов.
- Максимальное количество ACL, которые можно создать, зависит от платформы. Ограничение применяется ко всем ACL, независимо от типа.
- Максимальное количество правил в IP ACL зависит от платформы.

#### *access-list*

Эта команда создает список IP ACL, который идентифицируется номером списка доступа: 1–99 для стандартных списков контроля доступа или 100–199 для расширенных списков ACL.

*Стандартный IP ACL.*

**Формат:** `access-list 1-99 {remark comment} | {[sequence-number]} ]  
{deny | permit} {every | srcip srcmask | host srcip}  
[time-range time-range-name] [log] [assign-queue queue-id] [{mirror | redirect} unit/slot/port] [rate-limit rate burst-size]`

**Режим ввода команд:** глобальная конфигурация

*Расширенный IP ACL.*

**Формат:** `access-list 100-199 {remark comment} | {[sequence-number]}  
[rule 1-1023] {deny | permit} {every | {eigrp | gre | icmp  
| igmp | ip | ipinip | ospf | pim | tcp | udp | 0-255} {srcip  
srcmask|any|host srcip}[range {portkey|startport}  
{portkey|endport}`

```
{eq|neq|lt|gt} {portkey|0-65535}{dstip dstmask|any|host
dstip} [{range
{portkey|startport} {portkey|endport} | {eq | neq | lt | gt}
{portkey | 0-65535} ] [flag [+fin | -fin] [+syn | -syn] [+rst
| -rst] [+psh | -psh] [+ack | -ack] [+urg |
-urg] [established]] [icmp-type icmp-type [icmp-code icmp-
code] | icmp-message icmp- message] [igmp-type igmp-type]
[fragments] [precedence precedence | tos tos [ tosmask]
| dscp dscp]] [time-range time-range-name] [log] [assign-
queue queue-id] [{mirror
| redirect} unit/slot/port] [rate-limit rate burst-size]
```

Режим ввода команд: глобальная конфигурация



**Расширенный IPv4 ACL доступа имеет следующие ограничения для исходящих списков контроля доступа:**

- Совпадение по диапазону портов не поддерживается;
- команда ограничения скорости не поддерживается.

Параметр	Описание
<i>remark comment</i>	Используйте ключевое слово <i>remark</i> , чтобы добавить комментарий (замечание) к стандартным или расширенным IP ACL. Примечания упрощают просмотр и понимание ACL. Длина замечания не может превышать 100 символов. Замечание может содержать символы в диапазоне A-Z, a-z, 0-9, а также специальные символы: пробел, дефис, подчеркивание. Для стандартных и расширенных ACL можно добавлять по одному замечанию на правило. Удалять разрешается только замечания, не связанные с правилами. Связанные с правилами замечания удаляются только вместе с правилами.
<i>sequence-number</i>	<p>Определяет порядковый номер правила ACL. Порядковый номер получает каждое правило. Порядковый номер задается пользователем или генерируется устройством.</p> <p>Если порядковый номер для правила не указан, используется порядковый номер на 10 больше, чем последний порядковый номер в ACL, и правило помещается в конец списка. Если это первое правило в данном ACL, ему присваивается порядковый номер 10. Если расчетный порядковый номер превышает максимальное значение номера последовательности, создание правила ACL заканчивается ошибкой.</p> <p>Не разрешается создавать правило, если оно дублирует уже существующее. Правило не может быть настроено с порядковым номером, который уже используется для другого правила.</p> <p>Например, если пользователь добавляет новое правило ACL без указания порядкового номера, оно помещается в нижнюю часть списка. Изменив порядковый номер, пользователь может перемещать правило ACL в другое положение.</p>
<i>1–99</i> или <i>100–199</i>	В диапазоне 1–99 задаются номера для стандартных IP ACL. В диапазоне 100–199 задаются номера для расширенных IP ACL.
<i>[rule 1-1023]</i>	Указывает правило IP ACL.
<i>{deny   permit}</i>	<p>Указывает, выполняется или запрещается действие в результате применения правила IP ACL.</p> <p><b>Примечание.</b> В правилах запрета можно настроить параметры <i>assign-queue</i>, <i>redirect</i> и <i>mirror</i> attributes, но они не будут иметь действия.</p>
<i>every</i>	Совпадает каждый пакет.
<i>{eigrp   gre   icmp   igmp   ip   ipinip   ospf   pim   tcp   udp   0-255}</i>	Указывает протокол, который должен соответствовать правилу расширенного IP ACL.

<p><i>srcip srcmask</i>   any   host <i>scrip</i></p>	<p>Указывает IP-адрес источника и маску подсети для соответствия состояния правила IP ACL.</p> <p>Указание any подразумевает указания <i>srcip</i> как 0.0.0.0 и <i>srcmask</i> как 255.255.255.255.</p> <p>Указание host A.B.C.D подразумевает <i>srcip</i> как "A.B.C.D" и <i>srcmask</i> как "0.0.0.0".</p>
<p>{{range{portkey startport}{portkey endport}}{eq neq lt gt} {portkey   0-65535}}</p>	<p><b>Примечание.</b> Эта опция доступна только с протоколами TCP или UDP. Определяет условия соответствия для порта источника layer 4 в правиле IP ACL. Вы можете использовать номер порта, который находится в пределах от 0–65535, или указать параметр <i>portkey</i>, который может быть одним из следующих ключевых слов.</p> <ul style="list-style-type: none"> <li>• Для TCP: <i>bgp, domain, echo, ftp, ftp-data, http, smtp, telnet, www, pop2, pop3</i>.</li> <li>• Для UDP: <i>domain, echo, ntp, rip, snmp, tftp, time</i> и <i>who</i>.</li> </ul> <p>Для протоколов TCP и UDP каждое из этих ключевых слов транслируется в эквивалент номера порта, который используется в качестве начала и конца диапазона портов.</p> <p>Если указан <i>range</i>, правило IP ACL соответствует, только если номер порта layer 4 находится в пределах указанного диапазона. Параметры <i>startport</i> и <i>endport</i> определяют первый и последний порты, которые являются частью диапазона портов. Они имеют значение от 0 до 65535. Конечный порт должен иметь значение равное или больше, чем исходный порт. Исходный порт и все порты между ними будут частью диапазона портов layer 4.</p> <p>Когда <i>eq</i> задан, правило IP ACL соответствует, только если номер порта layer 4 равен указанному номеру или ключу порта.</p> <p>Когда <i>lt</i> задан, правило IP ACL соответствует, если номер порта layer 4 меньше указанного номера или ключа порта. Это эквивалентно заданию диапазона от 0 до &lt;указанный номер порта - 1&gt;.</p> <p>При указании <i>gt</i> правило IP ACL соответствует, если номер порта layer 4 больше, чем указанный номер или ключ порта. Это эквивалентно заданию диапазона &lt;указанный номер порта + 1&gt; до 65535.</p> <p>При указании <i>neq</i> правило IP ACL соответствует, только если номер порта layer 4 не равно номеру или ключу порта.</p> <p>Два правила добавляются с диапазоном от 0 до &lt;указанного номера порта - 1&gt; и одно с диапазоном &lt;&lt; указанный номер порта _ + 1 до 65535&gt;&gt;</p> <p><b>Примечание.</b> Номер порта совпадения применяется только к нефрагментированным пакетам или первым фрагментам.</p>
<p><i>dstip dstmask</i>   any   host <i>dstip</i></p>	<p>Указывает IP-адрес назначения и маску подсети для соответствия состояния правила IP ACL.</p> <p>Указание any подразумевает указания <i>dstip</i> как 0.0.0.0 и <i>dstmask</i> как 255.255.255.255.</p> <p>Указание хоста A.B.C.D подразумевает <i>dstip</i> как A.B.C.D и <i>dstmask</i> как 0.0.0.0.</p>
<p>[precedence <i>precedence</i>   tos <i>tos</i> [tosmask]   dscp <i>dscp</i>]</p>	<p>Определяет TOS для правила IP ACL в зависимости от соотношения приоритета или DSCP-значений с использованием параметров <i>dscp, precedence, tos/tosmask</i>.</p> <p><b>Примечание.</b> Параметр <i>tosmask</i> является необязательным.</p>
<p>flag [+fin   -fin] [+syn   -syn] [+rst   -rst] [+psh   -psh] [+ack   -ack] [+urg   -urg] [established]</p>	<p><b>Примечание.</b> Эта опция доступна только в случае, если используется протокол TCP. Указывает, что правило IP ACL использует соответствие по TCP-флагам.</p> <p>Когда + &lt;tcpflagname&gt; указан, совпадение имеет место, если указанный флаг &lt;tcpflagname&gt; устанавливается в TCP-заголовке.</p> <p>Когда - &lt;tcpflagname&gt; указывается, совпадение имеет место, если указанный флаг &lt;tcpflagname&gt; не установлен в TCP-заголовке.</p> <p>Если указано ключевое слово <i>established</i>, совпадение происходит, если указанные RST- или ACK-биты установлены в TCP-заголовке. В системе устанавливаются два правила, если указан этот параметр.</p>

<p><b>[icmp-type icmp-type [icmp-code icmp-code]   icmp-message icmp-message]</b></p>	<p><b>Примечание.</b> Эта опция доступна только в случае, если используется протокол ICMP.</p> <p>Указывает условие соответствия для пакетов ICMP.</p> <p>При указании <i>icmp-type</i> правило IP ACL совпадает с указанным типом ICMP-сообщения, значением от 0 до 255.</p> <p>При указании <i>icmp-code</i> правило IP ACL совпадает с указанным кодом ICMP-сообщения, значением от 0 до 255.</p> <p>Указание <i>icmp-message</i> означает, что указаны параметры <i>icmp-type</i> и <i>icmp-code</i>. Поддерживаются следующие ICMP-сообщения: <i>echo</i>, <i>echo-reply</i>, <i>host-redirect</i>, <i>mobile-redirect</i>, <i>net-redirect</i>, <i>net-unreachable</i>, <i>redirect</i>, <i>packet-too-big</i>, <i>port-unreachable</i>, <i>source-quench</i>, <i>router-solicitation</i>, <i>router-advertisement</i>, <i>time-exceeded</i>, <i>ttl-exceeded</i> и <i>unreachable</i>.</p>
<p><b>igmp-type igmp-type</b></p>	<p><b>Примечание.</b> Эта опция доступна только в случае, если используется протокол IGMP.</p> <p>При указании <i>igmp-type</i> правило IP ACL проверяет совпадение с указанным типом ICMP-сообщения, значением от 0 до 255.</p>
<p><b>fragments</b></p>	<p>Указывает, что правило IP ACL совпадает с фрагментированными IP-пакетами.</p>
<p><b>[log]</b></p>	<p>Указывает, что это правило должно быть записано в журнал.</p>
<p><b>[time-range time-range-name]</b></p>	<p>Позволяет применять ограничение времени на правило ACL, как это определено параметром <i>time-range-name</i>.</p> <p>Если временного диапазона с указанным именем не существует и ACL, содержащий это правило, применяется к интерфейсу или к VLAN, правило ACL применяется немедленно. Если временной диапазон с указанным именем существует и ACL, содержащий это правило, применяется к интерфейсу или к VLAN, правило ACL применяется, если временной диапазон с указанным именем становится активным. Правило ACL становится неактивным, если временной диапазон с указанным именем становится неактивным.</p>
<p><b>[assign-queue queue-id]</b></p>	<p>Определяет связанную очередь, т. е. идентификатор очереди, к которой пакеты, соответствующие этому правилу, назначаются.</p>
<p><b>[{mirror   redirect} unit/slot/port]</b></p>	<p>Указывается <i>mirror</i>- или <i>redirect</i>-интерфейс <i>unit/slot/port</i> к которому пакеты, соответствующие этому правилу, копируются или пересылаются соответственно.</p>
<p><b>[rate-limit rate burst-size]</b></p>	<p>Определяет допустимую скорость передачи в соответствии с заданной скоростью в Кбит/с и с пиковым размером буфера в килобайтах.</p>

### *no access-list*

Эта команда удаляет IP ACL, который определен с помощью параметра *accesslistnumber*. Диапазон *accesslistnumber*: 1–99 для стандартных списков доступа и 100–199 для расширенных списков доступа.

**Формат:** `no access-list accesslistnumber [rule 1-1023]`

**Режим ввода команд:** глобальная конфигурация

### *ip access-list*

Эта команда создает расширенный IP ACL, идентифицируемый параметром *name* и состоящий из полей классификации, определенных для IP-заголовка IPv4. Параметр *name* представляет собой буквенно-цифровую строку длиной от 1 до 31 символа с учетом регистра и однозначно идентифицирует IP ACL.

Если IP ACL с таким именем уже существует, эта команда входит в режим конфигурирования IPv4 Access-List, чтобы обновить существующий IP ACL.



При успешном выполнении команды режим CLI сменяется на конфигурирование IPv4 Access-List.

**Формат:** `ip access-list name`  
**Режим ввода команд:** глобальная конфигурация

*no ip access-list*

Эта команда удаляет IP ACL, идентифицируемый по имени системы.

**Формат:** `no ip access-list name`  
**Режим ввода команд:** глобальная конфигурация

### ***ip access-list rename***

Эта команда изменяет имя списка IP ACL. Параметр *name* является именем существующего IP ACL. Параметр *newname* представляет собой буквенно-цифровую строку длиной от 1 до 31 символа с учетом регистра и однозначно идентифицирует IP ACL.

Команда не будет выполнена, если IP ACL с именем *newname* уже существует.

**Формат:** `ip access-list rename name newname`  
**Режим ввода команд:** глобальная конфигурация

### ***ip access-list resequence***

Используйте эту команду, чтобы изменить порядковые номера записей для указанного IP ACL с заданным значением шага, начиная с указанного порядкового номера. Команда используется для редактирования последовательности правил ACL и изменяет порядок, в котором применяются записи. Эта команда не сохраняется в конфигурации запуска и не отображается в текущей конфигурации.



Если созданный командой порядковый номер превышает максимальный порядковый номер, создание правила ACL не удастся, выводится информационное сообщение.

**Значение по умолчанию:** 10  
**Формат:** `ip access-list resequence {name| id } starting-sequence-number increment`  
**Режим ввода команд:** глобальная конфигурация

<i>Параметр</i>	<i>Описание</i>
<b>starting-sequence-number</b>	Начальный порядковый номер. Диапазон — 1–2147483647. Значение по умолчанию: 10.
<b>increment</b>	Шаг увеличения. Диапазон — 1–2147483647. Значение по умолчанию: 10.

### ***{deny | permit} (IP ACL)***

Данная команда создает новое правило для текущего IP ACL. Правило может либо запретить, либо разрешить трафик в соответствии с указанными полями классификации. Как минимум, ключевое слово *every* или протокол, адрес источника и значение адреса назначения должны быть

указаны. Поля источника и назначения IP-адреса могут быть определены с помощью ключевого слова *any*, указанного для любого значения в этой области. Остальные параметры команды являются необязательными, но наиболее часто используемые параметры отображаются в том же относительном порядке, как показано в формате команды.

**Формат:**

```
[sequence-number] {deny | permit} {every | {{eigrp | gre |
icmp | igmp | ip | ipinip| ospf | pim | tcp | udp | 0 -255}
{srcip srcmask | any | host srcip} [{range {portkey|
startport} {portkey | endport} | {eq | neq | lt | gt}
{portkey | 0-65535} ] {dstip dstmask | any | host dstip}
[{range {portkey | startport} {portkey | endport} | {eq| neq
| lt | gt} {portkey | 0-65535} ] [flag [+fin | -fin] [+syn |
-syn] [+rst | - rst] [+psh | -psh] [+ack | -ack] [+urg | -
urg] [established]] [icmp-type icmp-type [icmp-code icmp-
code] | icmp-message icmp-message] [igmp-type igmp-type]
[fragments] [precedence precedence | tos tos [ tosmask] |
dscp dscp]| [ttl eq 0-255]]} [time-range time-range-name]
[log] [assign-queue queue-id] [{mirror | redirect}
unit/slot/port] [rate-limit rate burst-size]
```

**Режим ввода команд:** конфигурирование IPv4 Access-list



**Явно выраженное IP-правило deny all всегда останавливает действие ACL.**



Параметр *mirror* позволяет трафику быть скопированным в *unit/slot/port*, а параметр *redirect* позволяет трафику быть переадресованным на указанный *unit/slot/port*. Параметры *assign-queue* и *redirect* действительны только для правил *permit*.



Для IPv4 действуют следующие ограничения исходящих списков контроля доступа:

- Совпадение по диапазону портов не поддерживается.
- Команда *rate-limit*.

Параметр	Описание
<b>sequence-number</b>	<i>Sequence-number</i> определяет порядковый номер для правила ACL. Порядковый номер указывается пользователем или генерируется устройством. Если порядковый номер для правила не указан, используется порядковый номер на 10 больше, чем последний порядковый номер в ACL, и правило помещается в конец списка. Если это первое правило в данном ACL, ему присваивается порядковый номер 10. Если расчетный порядковый номер превышает максимальное значение номера последовательности, создание правила ACL заканчивается ошибкой. Правило не может быть создано, если оно дублирует уже существующее. Правило не может быть настроено с порядковым номером, который уже используется для другого правила. Например, если пользователь добавляет новое правило ACL без указания порядкового номера, оно помещается в конец списка. Изменив порядковый номер, пользователь может перемещать правило ACL в другое положение.

<code>{deny   permit}</code>	Указывает, выполняется или запрещается действие в результате применения правила IP ACL к трафику.
<code>every</code>	Совпадает каждый пакет.
<code>{eigrp   gre   icmp   igmp   ip   ipinip   ospf   pim   tcp   udp   0-255}</code>	Указывает протокол, который должен соответствовать правилу IP ACL.
<code>srcip srcmask   any   host srcip</code>	<p>Указывает IP-адрес источника и маску подсети для соответствия состоянию правилу ACL.</p> <p>Указание <code>any</code> подразумевает значение для <code>srcip</code> 0.0.0.0 и для <code>srcmask</code> — 255.255.255.255.</p> <p>Указание <code>host A.B.C.D</code> подразумевает <code>srcip</code> как A.B.C.D и <code>srcmask</code> как 0.0.0.0.</p>
<code>[[range {portkey   startport} {portkey   endport}   {eq   neq   lt   gt} {portkey   0-65535}]</code>	<p><b>Примечание.</b> Эта опция доступна только с протоколами TCP или UDP.</p> <p>Определяет условия соответствия для порта layer 4 в правиле IP ACL. Можно использовать номер порта, который находится в пределах от 0–65535, или указать параметр <code>portkey</code>, который может быть одним из следующих ключевых слов.</p> <ul style="list-style-type: none"> <li>• Для TCP: <code>bgp</code>, <code>domain</code>, <code>echo</code>, <code>ftp</code>, <code>ftp-data</code>, <code>http</code>, <code>smtp</code>, <code>telnet</code>, <code>www</code>, <code>pop2</code>, <code>pop3</code>.</li> <li>• Для UDP: <code>domain</code>, <code>echo</code>, <code>ntp</code>, <code>rip</code>, <code>snmp</code>, <code>tftp</code>, <code>time</code> и <code>who</code>.</li> </ul> <p>Каждое из ключевых слов переводится в эквивалентный номер порта.</p> <p>Если указан <code>range</code>, правило IP ACL может определить соответствие, только если номер порта layer 4 находится в пределах указанного диапазона. Параметры <code>startport</code> и <code>endport</code> определяют первый и последний порты, которые являются частью диапазона портов. Они имеют значение от 0 до 65535. Конечный порт должен иметь значение равное или превышающее исходный порт. Исходный порт и все порты между ними будут частью диапазона портов layer 4.</p> <p>Когда <code>eq</code> задан, правило IP ACL соответствует, только если номер порта layer 4 равен указанному номеру или ключу порта.</p> <p>Когда <code>lt</code> задан, IP ACL правило соответствует, если номер порта layer 4 меньше указанного номера или ключа порта. Это эквивалентно заданию диапазона от 0 до &lt;указанный номер порта - 1&gt;.</p> <p>При указании <code>gt</code> правило IP ACL соответствует, если номер порта layer 4 больше, чем указанный номер или ключ порта. Это эквивалентно заданию диапазона &lt;указанный номер порта + 1&gt; до 65535.</p> <p>При указании <code>neq</code> правило IP ACL соответствует, только если номер порта layer 4 не равно указанному номеру или ключу порта. Два правила добавляются с диапазоном от 0 до &lt;указанный номер порта - 1&gt; и одно с диапазоном &lt;&lt; указанный номер порта _ + 1 до 65535&gt;&gt;.</p> <p><b>Примечание.</b> Номер порта совпадения применяется только к нефрагментированным пакетам или первым фрагментам.</p>
<code>dstip dstmask   any   host dstip</code>	<p>Указывает IP-адрес назначения и маску подсети для соответствия состоянию правилу IP ACL.</p> <p>Указание <code>any</code> подразумевает указания <code>dstip</code> как 0.0.0.0 и <code>dstmask</code> как 255.255.255.255.</p> <p>Указание хоста A.B.C.D подразумевает <code>dstip</code>, как A.B.C.D и <code>dstmask</code> как 0.0.0.0.</p>



<p><b>[precedence <i>precedence</i>   tos <i>tos</i> [<i>tosmask</i>]   dscp <i>dscp</i>]</b></p>	<p>Определяет TOS для правила IP ACL в зависимости от соотношения приоритета или DSCP значений с использованием параметров <i>dscp</i>, <i>precedence</i>, <i>tos/tosmask</i>. Параметр <i>tosmask</i> является необязательным.</p>
<p><b>flag [+fin   -fin] [+syn   -syn] [+rst   -rst] [+psh   -psh] [+ack   -ack] [+urg   -urg] [established]</b></p>	<p>Указывает, что правило IP ACL использует соответствие по TCP-флагам. Когда +&lt;tcpflagname&gt; указан, совпадение имеет место, если указанный флаг &lt;tcpflagname&gt; установлен в TCP-заголовке. Когда -&lt;tcpflagname&gt; указан, совпадение имеет место, если указанный флаг &lt;tcpflagname&gt; НЕ установлен в TCP-заголовке. Если указано ключевое слово <i>established</i>, совпадение происходит, если указанные RST- или ACK-биты устанавливаются в TCP-заголовке. В системе устанавливаются два правила, если указан этот параметр. Эта опция доступна только в случае, если используется протокол TCP.</p>
<p><b>[icmp-type <i>icmp-type</i> [icmp-code <i>icmp-code</i>]   icmp-message <i>icmp-message</i>]</b></p>	<p><b>Примечание.</b> Эта опция доступна только в случае, если используется протокол ICMP. Указывает условие соответствия для пакетов ICMP. При указании <i>icmp-type</i> правило IP ACL совпадает с указанным типом ICMP-сообщения, числом от 0 до 255. При указании <i>icmp-code</i> правило IP ACL совпадает с указанным кодом ICMP-сообщения, числом от 0 до 255. Указание <i>icmp-message</i> означает, что указаны параметры <i>icmp-type</i> и <i>icmp-code</i>. Следующие ICMP-сообщения поддерживаются: <i>echo</i>, <i>echo-reply</i>, <i>host-redirect</i>, <i>mobile-redirect</i>, <i>net-redirect</i>, <i>net-unreachable</i>, <i>redirect</i>, <i>packet-too-big</i>, <i>port-unreachable</i>, <i>source-quench</i>, <i>router-solicitation</i>, <i>router-advertisement</i>, <i>time-exceeded</i>, <i>ttl-exceeded</i> и <i>unreachable</i>. Сообщение ICMP декодируется в соответствующий тип ICMP и ICMP-кода в пределах этого типа ICMP.</p>
<p><b>igmp-type <i>igmp-type</i></b></p>	<p><b>Примечание.</b> Эта опция доступна только в случае, если используется протокол IGMP. При указании <i>igmp-type</i> правило IP ACL проверяет совпадение с указанным типом ICMP-сообщения, числом от 0 до 255.</p>
<p><b>fragments</b></p>	<p>Указывает, что правило IP ACL совпадает с фрагментированными пакетами IP.</p>
<p><b>ttl eq</b></p>	<p>Указывает, что правило IP ACL совпадает с пакетами с указанным значением Time To Live (TTL).</p>
<p><b>log</b></p>	<p>Указывает, что это правило должно быть записано в журнал.</p>
<p><b>time-range <i>time-range-name</i></b></p>	<p>Позволяет применять ограничение времени к правилу ACL, как это определено параметром <i>time-range-name</i>. Если временной диапазон с указанным именем не существует и ACL, содержащий это правило ACL, применяется к интерфейсу или привязан к VLAN, правило ACL применяется немедленно. Если временной диапазон с указанным именем существует и ACL, содержащий это правило ACL, применяется к интерфейсу или привязан к VLAN, правило ACL применяется, если временной диапазон с указанным именем существует.</p>

	ным именем становится активным. Правило ACL удаляется, если временной диапазон с указанным именем становится неактивным.
<b>assign-queue <i>queue-id</i></b>	Определяет связанную очередь, т. е. идентификатор очереди, к которой пакеты, соответствующие этому правилу, назначаются.
<b>{mirror   redirect} <i>unit/slot/ port</i></b>	Определяет mirror или redirect интерфейс unit/slot/port, к которому пакеты, соответствующие этому правилу, копируются или пересылаются соответственно.
<b>rate-limit <i>rate burst-size</i></b>	Определяет допустимую скорость передачи данных в соответствии с заданной скоростью в Кбит/с и с пиковым размером буфера в килобайтах.

### *no sequence-number*

Используйте эту команду для удаления правила ACL с указанным порядковым номером из ACL.

**Формат:** *no sequence-number*

**Режим ввода команд:** конфигурирование IPv4 Access-list

### *ip access-group*

Эта команда либо закрепляет определенный IP ACL, идентифицируемый по параметру *accesslistnumber* или *name*, к интерфейсу (включая интерфейсы маршрутизации VLAN), диапазону интерфейсов или всем интерфейсам — или связывает его с VLAN ID в заданном направлении. Параметр *name* — это имя Access Control List.

Необязательный порядковый номер может быть указан, чтобы указать порядок этого IP ACL по отношению к другим IP ACL, уже назначенным этому интерфейсу и направлению. Меньшее значение указывает на более высокий приоритет. Если порядковый номер уже используется для этого интерфейса и направления, указанный IP ACL заменяет используемый в настоящее время IP ACL. Если порядковый номер для этой команды не определен, будет использоваться порядковый номер, который на единицу больше, чем самый высокий порядковый номер для этого интерфейса и направления.

Дополнительный параметр *control-plane* задается, чтобы применить ACL на порту CPU. Пакеты управления IPv4, такие как RADIUS и TACACS+, также отбрасываются из-за подразумеваемого присутствия правила **deny all** в конце списка. Для того, чтобы это изменить, требуется добавить разрешающие правила, которые позволят передавать IPv4-пакеты управления.



**Ключевое слово *control-plane* доступно только в режиме глобальной конфигурации.**

**Значение по умолчанию:** отсутствует

**Формат:** `ip access-group {accesslistnumber|name} {{control-plane|in|out}}|vlan vlan-id {in|out}} [sequence 1-4294967295]`

**Режим ввода команд:** конфигурирование интерфейса  
глобальная конфигурация

<i>Параметр</i>	<i>Описание</i>
<b>accesslistnumber</b>	Определяет конкретный IP ACL. Диапазон составляет от 1 до 199.

<b>sequence</b>	Необязательный порядковый номер, который указывает порядок этого списка доступа IP по отношению к другим спискам IP-доступа, уже присвоенных этому интерфейсу и направлению. Диапазон составляет от 1 до 4294967295.
<b>vlan-id</b>	Идентификатор VLAN, связанный с определенным IP ACL в заданном направлении. (Доступно только в режиме глобально конфигурации)
<b>name</b>	Имя списка контроля доступа.

### *no ip access-group*

Эта команда удаляет заданный IP ACL из интерфейса.

**Значение по умолчанию:** отсутствует

**Формат:** `no ip access-group {accesslistnumber|name} {{control-plane|in|out}|vlan vlan-id{in|out}}`

**Режим ввода команд:** конфигурирование интерфейса  
глобальная конфигурация

### *acl-trapflags*

Данная команда включает отправку ACL-трапов.

**Значение по умолчанию:** выключено

**Формат:** `acl-trapflags`

**Режим ввода команд:** глобальная конфигурация

### *no acl-trapflags*

Эта команда выключает режим ACL-трапа.

**Формат:** `no acl-trapflags`

**Режим ввода команд:** глобальная конфигурация

### *show ip access-lists*

Используйте эту команду, чтобы просмотреть сводную информацию обо всех IP ACL, настроенных на коммутаторе. Для просмотра подробной информации о конкретном списке доступа, укажите номер ACL или имя, которое используется для идентификации IP ACL. Отображается информация committed rate, committed burst size и ACL rule hit count, соответствующая настроенному правилу внутри ACL. При достижении максимального значения счетчик начинает дальнейший отсчет с нуля. Существует специальный счетчик для каждого правила ACL. Счетчики ACL не взаимодействуют с PBR-счетчиками.

Для ACL с несколькими правилами, когда совпадение происходит в каком-либо одном конкретном правиле, увеличиваются только счетчики, связанные с этим правилом.

Для счетчиков ACL, если не настроено правило RATE-LIMIT, значение счетчика является количеством переадресованных/отброшенных пакетов. (К примеру, если на интерфейс получено 100 пакетов, значение счетчика увеличится на 100).

Если правило ACL настроено с RATE LIMIT, значение счетчика будет отражать количество пакетов попадающих под правило, независимо от ограничения скорости. Если входящая скорость

передачи трафика превышает установленный предел, счетчики все равно будут расти (несмотря на то, что они отбрасываются при превышении установленных ограничений, поскольку критерий соответствия выполняется). Счетчики ACL не взаимодействуют с политиками DiffServ.

**Формат:** `show ip access-lists [accesslistnumber | name]`

**Режим ввода команд:** привилегированный

<i>Термин</i>	<i>Значение</i>
ACL ID/Name	Определяет указанный номер или имя ACL.
Rules	Определяет количество правил, настроенных для ACL.
Direction	Показывает, применяется ли ACL к входящему или исходящему трафику на интерфейсе.
Interface(s)	Определяет интерфейс(ы), к которым применяется список управления доступом (привязки ACL к интерфейсам).
VLAN(s)	Определяет сети VLAN, к которым применяются ACL (привязки ACL к VLAN).

Если вы указываете номер IP ACL или имя, отображается следующая информация.



**Вывод команды может меняться в зависимости от критериев соответствия, настроенных в рамках правил в ACL.**

<i>Термин</i>	<i>Значение</i>
Rule Number	Идентификатор номера для каждого правила, которое определяется для IP ACL.
Action	Действие, связанное с каждым правилом. Возможные значения: Permit или Deny.
Match All	Указывает, применяется ли этот список доступа к каждому пакету. Возможные значения: True или False.
Protocol	Протокол фильтрации.
ICMP Type	<b>Примечание.</b> Это отображается только в том случае, если используется протокол ICMP. Тип ICMP-сообщения для этого правила.
Starting Source L4 port	Начальный порт источника Layer 4.
Ending Source L4 port	Конечный порт источника Layer 4.
Starting Destination L4 port	Исходный порт назначения Layer 4.
Ending Destination L4 port	Конечный порт назначения Layer 4.
ICMP Code	<b>Примечание.</b> Это отображается только в том случае, если используется протокол ICMP. Код ICMP-сообщения для этого правила.
Committed Rate	Гарантированная скорость, определяется атрибутом rate-limit.
Committed Burst Size	Пиковый размер буфера, определяется атрибутом rate-limit.
Source IP Address	IP-адрес источника для этого правила.
Source IP Mask	IP-маска назначения для этого правила.
Source L4 Port Keyword	Порт источника для этого правила.
Destination IP Address	IP-адрес назначения для этого правила.
Destination IP Mask	IP-маска назначения для этого правила.
Destination L4 Port Keyword	Порт назначения для этого правила.
IP DSCP	Значение, указанное для IP DSCP.

<b>IP Precedence</b>	Значение, указанное IP Precedence.
<b>IP TOS</b>	Значение, указанное для IP TOS.
<b>Fragments</b>	Указывает, включено ли правило IP ACL для совпадения с фрагментированными IP-пакетами.
<b>TTL Field Value</b>	Значение, указанное для TTL.
<b>Log</b>	Показывает, включено ли ведение журнала для правила.
<b>Assign Queue</b>	Идентификатор очереди, с которой связаны пакеты, соответствующие этому правилу.
<b>Mirror Interface</b>	Unit/slot/port, к которому копируются пакеты, соответствующие этому правилу.
<b>Redirect Interface</b>	Unit/slot/port, к которому пересылаются пакеты, соответствующие этому правилу.
<b>Time Range Name</b>	Отображает имя временного диапазона, если правило IP ACL ссылается на диапазон времени.
<b>Rule Status</b>	Статус правила IP ACL (Active/Inactive).
<b>ACL Hit Count</b>	Счетчик выполнения правила ACL для пакетов, соответствующих настроенному правилу ACL внутри ACL.

### **show access-lists**

Эта команда отображает информацию списков IP ACL, IPv6 ACL и MAC ACL для назначенного интерфейса и направления. Вместо параметра *unit/slot/port* можно использовать *lag lag-intf-num* как альтернативный вариант определения LAG-интерфейса. Параметр *lag lag-intf-num* можно использовать для определения конкретного LAG-интерфейса, при этом значение *lag-intf-num* должно указывать номер порта LAG. Используйте ключевое слово **control-plane**, чтобы отобразить списки ACL, применяемые на порте CPU.

**Формат:** `show access-lists interface {unit/slot/port in|out | control-plane}`

**Режим ввода команд:** привилегированный

<b>Термин</b>	<b>Значение</b>
<b>ACL Type</b>	Тип списка доступа (IP, IPv6, или MAC).
<b>ACL ID</b>	Имя списка доступа для списка доступа MAC или IPv6 или числовой идентификатор для IP ACL.
<b>Sequence Number</b>	Порядковый номер ACL по отношению к другим ACL, уже назначенным этому интерфейсу и направлению. Меньшее значение указывает на более высокий приоритет.
<b>in out</b>	<ul style="list-style-type: none"> <li>in — отображает информацию ACL для конкретного интерфейса во входящем направлении.</li> <li>out — отображает информацию ACL для конкретного интерфейса в исходящем направлении.</li> </ul>

### **show access-lists vlan**

Эта команда отображает информацию ACL для конкретной VLAN ID. Параметр *vlan-id* является идентификатором VLAN. Параметр {in | out} определяет направление для просмотра информации VLAN ACL.

**Формат:** `show access-lists vlan vlan-id in|out`

**Режим ввода команд:** привилегированный

<b>Термин</b>	<b>Значение</b>
---------------	-----------------

<b>ACL Type</b>	Тип списка доступа (IP, IPv6, или MAC).
<b>ACL ID</b>	Имя списка доступа MAC, IP или IPv6 или числовой идентификатор для IP ACL.
<b>Sequence Number</b>	Порядковый номер ACL по отношению к другим ACL, уже назначенным этому интерфейсу и направлению. Меньшее значение указывает на более высокий приоритет.

### 13.9 Команды настройки IPv6 ACL

В этой части описаны команды, используемые для настройки параметров IPv6 ACL. IPv6 ACL гарантируют, что только авторизованные пользователи получают доступ к определенным ресурсам, и блокируют любые попытки необоснованного доступа к сетевым ресурсам.

К IPv6 ACL применяются следующие правила.

- Максимальное количество создаваемых списков контроля доступа — 100, независимо от типа.
- Система поддерживает только кадры типа Ethernet II.
- Максимальное количество правил на IPv6 ACL зависит от платформы.

#### *IPv6 access-list*

Эта команда создает IPv6 ACL, идентифицируемый параметром *name* и состоящий из полей классификации, определенных для IP-заголовка IPv6-кадра. Параметр *name* представляет собой буквенно-цифровую строку длиной от 1 до 31 символа с учетом регистра и однозначно идентифицирует IPv6 ACL. Если IPv6 ACL с таким именем уже существует, эта команда входит в режим конфигурирования IPv6 Access-List, чтобы обновить существующий IPv6 ACL.



При успешном выполнении команды режим CLI сменяется на конфигурирование IPv6 Access-List.

**Формат:** IPv6 access-list *name*

**Режим ввода команд:** глобальная конфигурация

#### *no IPv6 access-list*

Эта команда удаляет IPv6 ACL, идентифицируемый параметром *name*, из системы.

**Формат:** no IPv6 access-list *name*

**Режим ввода команд:** глобальная конфигурация

#### *IPv6 access-list rename*

Эта команда изменяет имя на IPv6 ACL. Параметр *name* является именем существующего IPv6 ACL. Параметр *newname* является чувствительным к регистру буквенно-цифровой строки от 1 до 31 символа, однозначно идентифицирующим список доступа IPv6.

Команда не будет выполнена, если IPv6 ACL с именем *newname* уже существует.

**Формат:** IPv6 access-list rename *name newname*

**Режим ввода команд:** глобальная конфигурация

### **IPv6 access-list resequence**

Используйте эту команду, чтобы изменить нумерацию порядкового номера правил для указанного списка доступа IPv6 с заданным значением приращения, начиная с определенного порядкового номера. Команда используется для редактирования последовательности правил ACL и изменяет порядок, в котором применяются записи. Эта команда не сохраняется в конфигурации запуска и не отображается в текущей конфигурации.



Если созданный командой порядковый номер превышает максимальный порядковый номер, создание правила ACL не удается, выводится информационное сообщение.

**Значение по умолчанию:** 10

**Формат:** IPv6 access-list resequence {*name* | *id* } *starting-sequence-number increment*

**Режим ввода команд:** глобальная конфигурация

<i>Параметр</i>	<i>Описание</i>
<b>starting-sequence-number</b>	Начальный порядковый номер. Диапазон — 1–2147483647. Значение по умолчанию: 10.
<b>increment</b>	Шаг увеличения. Диапазон — 1–2147483647. Значение по умолчанию: 10.

### **{deny | permit} (IPv6)**

Эта команда создает новое правило для текущего IPv6 ACL. Правило может либо запретить, либо разрешить трафик в соответствии с указанными полями классификации. Как минимум, ключевое слово *every* или протокол, адрес источника и адреса назначения должны быть указаны. Поля IPv6-адреса источника и назначения могут быть определены с помощью ключевого слова *any*, указанного для любого значения в этой области. Остальные параметры команды являются необязательными, но наиболее часто используемые параметры отображаются в том же относительном порядке, как показано в формате команды.

**Формат:** {deny | permit} {every | {{icmpv6 | IPv6 | tcp | udp | 0-255} {source-IPv6-prefix/ prefix-length | any | host source-IPv6-address} [{range {portkey | startport} {portkey | endport} | {eq | neq | lt | gt} {portkey | 0-65535} ] {destination-IPv6-prefix/ prefix-length | any | host destination-IPv6-address} [{range {portkey | startport} {portkey | endport} | {eq | neq | lt | gt} {portkey | 0-65535}]} [flag [+fin | -fin] [+syn | -syn] [+rst | -rst] [+psh | -psh] [+ack | -ack] [+urg | -urg] [established]] [flow-label value] [icmp-type icmp-type [icmp-code icmp-code] | icmp-message icmp-message] [routing] [fragments] [sequence sequence-number] [dscp dscp]}} [log] [assign-queue queue-id] [{mirror | redirect} unit/slot/port] [rate-limit rate burst-size]

**Режим ввода команд:** конфигурирование IPv6 Access-list



## Явно выраженное IPv6-правило deny all всегда останавливает действие ACL.

Параметр	Описание
{deny   permit}	Указывает, выполняется или запрещается правило IP ACL для соответствующего трафика.
every	Соотносит каждый пакет.
{protocolkey   number}	Задаёт протокол, который должен соответствовать правилу IP ACL. icmpv6, IPv6, tcp, and udp.
source-IPv6-prefix/prefix-length   any   host source-IPv6-address	Задаёт IP-адрес источника и маску сети источника, который должен соответствовать правилу IP ACL. Указание any подразумевает указания «::/0»
[{range {portkey   startport} {portkey   endport}   {eq   neq   lt   gt} {portkey   0-65535}]	<p><b>Примечание.</b> Эта опция доступна только с протоколами TCP или UDP.</p> <p>Определяет условия соответствия порта источника 4-го уровня для правила IP ACL. Вы можете использовать номер порта, который находится в пределах от 0–65535, или указать портключ, который может быть одним из следующих ключевых слов:</p> <ul style="list-style-type: none"> <li>Для TCP: <i>bgp, domain, echo, ftp, ftp-data, http, smtp, telnet, www, pop2, pop3</i></li> <li>Для UDP: <i>domain, echo, ntp, rip, snmp, tftp, time, who.</i></li> </ul> <p>Каждое из ключевых слов переводится в эквивалентный номер порта.</p> <p>Если указан диапазон, правило IP ACL соответствует, только если номер порта уровня 4 находится в пределах указанного диапазона портов. Параметры <i>startport</i> и <i>endport</i> определяют первый и последний порты, которые являются частью диапазона портов. Они имеют значение от 0 до 65535. Конечный порт должен иметь значение равное или больше, чем начальный порт.</p> <p>Когда <i>eq</i> задан, то правило IPv6 ACL соответствует только если номер порта уровня 4 равен указанному номеру порта или портключу.</p> <p>Когда <i>lt</i> указан, IPv6 ACL-правило соответствует, если номер порта уровня 4 меньше указанного номера порта или портключу. Это эквивалентно заданию диапазона от 0 до &lt;указанный номер порта - 1&gt;.</p> <p>При указании <i>gt</i>, правило IPv6 ACL соответствует, если номер порта уровня 4 больше, чем указанный номер порта или портключу. Это эквивалентно заданию диапазона &lt;указанный номер порта + 1&gt; до 65535.</p> <p>При указании <i>neq</i>, IPv6 правило ACL соответствует только если номер порта уровня 4 не равен указанному номеру порта или портключу.</p> <p>Два правила добавляются с диапазоном от 0 до &lt;указанный номера порта - 1&gt; и один с диапазоном &lt;&lt; указанный номер порта + 1 до 65535&gt;&gt;</p>



<p><i>destination-IPv6-prefix/prefix-length   any   host destination-IPv6-address</i></p>	<p>Указывает IP-адрес назначения и маску подсети для соответствия состояния правила IP ACL.</p> <p>Указание <i>any</i> подразумевает значение «<i>::/0</i>».</p> <p>Указание <i>host destination-IPv6-address</i> подразумевает совпадение с указанным IPv6-адресом.</p> <p>Аргумент <i>destination-IPv6-address</i> должен указываться в формате RFC 2373, т. е. в шестнадцатеричном формате с использованием 16-битных значений между двоеточиями.</p>
<p><i>sequence sequence-number</i></p>	<p>Определяет порядковый номер правила ACL. Порядковый номер получает каждое правило. Порядковый номер указывается пользователем или генерируется устройством.</p> <p>Если порядковый номер для правила не указан, используется порядковый номер на 10 больше, чем последний порядковый номер в ACL, и правило помещается в конец списка. Если это первое правило в данном ACL, ему присваивается порядковый номер 10. Если расчетный порядковый номер превышает максимальное значение номера последовательности, создание правила ACL заканчивается ошибкой. Правило не может быть создано, если оно дублирует уже существующее, и правило не может быть сконфигурировано с порядковым номером, который уже используется для другого правила.</p> <p>Например, если пользователь добавляет новое правило ACL к ACL без указания номера последовательности, оно помещается в нижней части списка. Изменив номер последовательности, пользователь может перемещать правило ACL в другое положение в ACL.</p>
<p><i>[dscp dscp]</i></p>	<p>Задаёт значение DSCP, которое должно соответствовать правилу IPv6.</p>
<p><i>flag [+fin   -fin] [+syn   -syn] [+rst   -rst] [+psh   -psh] [+ack   -ack] [+urg   -urg] [established]</i></p>	<p><b>Примечание.</b> Эта опция доступна только в случае, если правило настраивается для протокола TCP</p> <p>Когда <i>+&lt;tcpflagname&gt;</i> указан, совпадение имеет место, если указанный флаг <i>&lt;tcpflagname&gt;</i> установлен в TCP-заголовке.</p> <p>Когда <i>-&lt;tcpflagname&gt;</i> указан, совпадение имеет место, если указанный флаг <i>&lt;tcpflagname&gt;</i> не установлен в TCP-заголовке.</p> <p>Если указано ключевое слово <i>established</i>, совпадение происходит, если указанные RST или ACK-биты установлены в заголовке TCP. В системе устанавливается два правила.</p>

<p><b>[icmp-type <i>icmp-type</i> [icmp-code <i>icmp-code</i>]   icmp- message <i>icmp-message</i>]</b></p>	<p><b>Примечание.</b> Эта опция доступна только в случае, если правило настраивается для протокола ICMPv6.</p> <p>Указывает условие соответствия для пакетов ICMP.</p> <p>При указании <i>icmp-type</i> правило IPv6 ACL задаёт допустимый тип ICMPv6-сообщения, значением от 0 до 255.</p> <p>При указании <i>icmp-code</i> правило IPv6 ACL задаёт допустимый код ICMPv6-сообщения, значением от 0 до 255</p> <p>Указание <i>icmp-message</i> означает, что указаны параметры <i>icmp-type</i> и <i>icmp-code</i>.</p> <p>Поддерживаются следующие ICMP-сообщения: <i>destination-unreachable, echo-reply, echo-request, header, hop-limit, mld-query, mld-reduction, mld-report, nd-na, nd-ns, next-header, no-admin, no-route, packet-too-big, port-unreachable, router-solicitation, router-advertisement, router-renumbering, time-exceeded, and unreachable</i>.</p>
<p><b>Fragments</b></p>	<p>Указывает, что правило IPv6 ACL совпадает с фрагментированными пакетами IPv6 (пакеты, в которых поле заголовка установлено как 44).</p>
<p><b>Routing</b></p>	<p>Указывает, что правило IPv6 ACL совпадает с IPv6-пакетами, в которых есть заголовки расширенной маршрутизации (следующее поле заголовка установлено как 43).</p>
<p><b>Log</b></p>	<p>Указывает, что это правило должно быть записано в журнал.</p>
<p><b>time-range <i>time-range-name</i></b></p>	<p>Позволяет применять ограничение времени к правилу ACL, как это определено параметром <i>time-range-name</i>. Если временной диапазон с указанным именем не существует и ACL, содержащий это правило, применяется к интерфейсу или к VLAN, правило ACL применяется немедленно. Если временной диапазон с указанным именем существует и ACL, содержащий это правило, применяется к интерфейсу или к VLAN, правило ACL применяется, если временной диапазон с указанным именем становится активным. Правило ACL игнорируется, если временной диапазон с указанным именем становится неактивным.</p>
<p><b>assign-queue <i>queue-id</i></b></p>	<p>Определяет связанную очередь, т. е. идентификатор очереди, к которой пакеты, соответствующие этому правилу, назначаются.</p>
<p><b>{mirror   redirect} <i>unit/slot/port</i></b></p>	<p>Определяет <i>mirror</i> или <i>redirect</i>-интерфейс <i>unit/slot/port</i>, к которому пакеты, соответствующие этому правилу, копируются или пересылаются соответственно.</p>
<p><b>rate-limit <i>rate burst-size</i></b></p>	<p>Определяет допустимую скорость передачи в соответствии с заданной скоростью в Кбит/с и с пиковым размером буфера в килобайтах.</p>
<p><b>rate-limit <i>rate burst-size</i></b></p>	<p>Определяет допустимую скорость передачи в соответствии с заданной скоростью в Кбит/с и с пиковым размером буфера в килобайтах.</p>

### *no sequence-number*

Используйте эту команду для удаления правила ACL с указанным порядковым номером из ACL.

**Формат:** `no sequence-number`  
**Режим ввода команд:** конфигурирование IPv6 Access-list

### **IPv6 traffic-filter**

Эта команда либо закрепляет определенный IPv6 ACL, идентифицируемый по параметру *name*, к интерфейсу или набору интерфейсов, либо связывает его с VLAN ID в заданном направлении. Параметр *name* должен быть именем существующего IPv6 ACL.

Необязательный порядковый номер может быть указан, чтобы указать порядок этого IPv6 ACL по отношению к другим IPv6 ACL, уже назначенным этому интерфейсу и направлению. Меньшее значение указывает на более высокий приоритет. Если порядковый номер уже используется для этого интерфейса и направления, расширенный IPv6 ACL заменяет список, использующий этот порядковый номер. Если порядковый номер для этой команды не определен, будет использоваться порядковый номер, который на единицу больше, чем самый высокий порядковый номер для этого интерфейса и направления.

Эта команда, выполненная в режиме конфигурирования интерфейса, действует только на один интерфейс, в то время как в режиме глобальной конфигурации применяется для всех интерфейсов. Ключевое слово *vlan* действует только в режиме глобальной конфигурации.

Опция *control-plane* задается, чтобы применить ACL на порте CPU. Пакеты управления IPv6, такие как IGMPv6, также отбрасываются из-за подразумеваемого присутствия правила *deny all* в конце списка. Для того, чтобы это изменить, требуется добавить разрешающие правила, которые позволят передавать IPv6-пакеты управления.



**Ключевое слово *control-plane* доступно только в режиме глобальной конфигурации.**

**Формат:** `IPv6 traffic-filter name {{control-plane | in|out}|vlan vlan-id {in|out}} [sequence 1-4294967295]`  
**Режим ввода команд:** глобальная конфигурация  
 конфигурирование интерфейса

### *no IPv6 traffic-filter*

Эта команда удаляет IPv6 ACL, идентифицируемый по параметру *name* из интерфейса (ов), в заданном направлении.

**Формат:** `no IPv6 traffic-filter <name{{control-plane | in | out} | vlan <vlan-id> {in|out}}`  
**Режим ввода команд:** глобальная конфигурация  
 конфигурирование интерфейса

## show IPv6 access-lists

Эта команда отображает краткую информацию из всех списков доступа IPv6. Используйте параметр *name* для списка контроля доступа для отображения подробной информации о конкретном IPv6 ACL.

Эта команда отображает информацию об атрибутах icmp-type, icmp-code, fragments, routing, tcp flags, а также диапазоны портов L4 для источника и цели. Он отображает пакеты committed rate, committed burst size и ACL rule hit count, соответствующие настроенному правилу внутри ACL. При достижении максимального значения счетчик начинает дальнейший отсчет с нуля. Существует специальный счетчик для каждого правила ACL. Счетчики ACL не взаимодействуют с PBR-счетчиками.

Для ACL с несколькими правилами, когда совпадение происходит в каком-либо одном конкретном правиле, увеличиваются только счетчики, связанные с этим правилом.

Для счетчиков ACL, если не настроено правило RATE-LIMIT, значение счетчика является количеством переадресованных/отброшенных пакетов. (К примеру, если на интерфейс получено 100 пакетов, значение счетчика увеличится на 100).

Если правило ACL настроено с RATE LIMIT, значение счетчика будет отражать количество пакетов попадающих под правило, независимо от ограничения скорости. Если входящая скорость передачи трафика превышает установленный предел, счетчики все равно будут расти (несмотря на то, что они отбрасываются при превышении установленных ограничений, поскольку критерий соответствия выполняется). Счетчики ACL не взаимодействуют с политиками DiffServ.

**Формат:** `show IPv6 access-lists [name]`

**Режим ввода команд:** привилегированный



**Вывод команды изменяется в зависимости от критериев соответствия, настроенных в рамках правил в ACL.**

<i>Термин</i>	<i>Значение</i>
<b>Rule Number</b>	Идентификатор номера для каждого правила, которое определяется для IPv6 ACL.
<b>Action</b>	Действие, связанное с каждым правилом. Возможные значения: Permit или Deny.
<b>Match All</b>	Указывает, применяется ли этот список доступа к каждому пакету. Возможные значения: True или False.
<b>Protocol</b>	Протокол фильтрации.
<b>Committed Rate</b>	Гарантированная скорость, определяется атрибутом <i>rate limit</i> .
<b>Committed Burst Size</b>	Указанный размер буфера, определяется атрибутом <i>rate limit</i> .
<b>Source IP Address</b>	IP-адрес источника для этого правила.
<b>Source L4 Port Keyword</b>	L4-порт источника для этого правила.
<b>Destination IP Address</b>	IP-адрес назначения для этого правила.
<b>Destination L4 Port Keyword</b>	L4-порт назначения для этого правила.
<b>IP DSCP</b>	Значение, указанное для IP DSCP.
<b>Flow Label</b>	Значение, указанное для IPv6 Flow Label.
<b>Log</b>	Показывает, включено ли ведение журнала для пра-

	вила.
<b>Assign Queue</b>	Идентификатор очереди, с которой связаны пакеты, соответствующие этому правилу.
<b>Mirror Interface</b>	<i>unit/slot/port</i> , к которому пакеты, соответствующие этому правилу, копируются.
<b>Redirect Interface</b>	<i>unit/slot/port</i> , к которому пакеты, соответствующие этому правилу, пересылаются.
<b>Time Range Name</b>	Отображает имя временного диапазона, если правило IP ACL ссылается на диапазон времени.
<b>Rule Status</b>	Статус правила IPv6 ACL (Активный/Неактивный)
<b>ACL Hit Count</b>	Счетчик выполнения правила ACL для пакетов, соответствующих настроенному правилу ACL внутри ACL.

### 13.10 Команды управления функцией Management Access Control and Administration List

В целях обеспечения безопасности функций управления коммутатора администратор может настроить список ACL для задач управления. Функция Management Access Control and Administration List (MACAL) используется для обеспечения контроля удаленного управления коммутатором через сеть TCP/IP только с известных и надежных устройств.

MACAL может быть применена только к стандартным портам, к сервисному порту эта функция не применима.

#### ***management access-list***

Используйте эту команду для создания списка MACAL и входа в режим конфигурирования ACL, где требуется определить запрещенные или разрешенные условия доступа с помощью команд `deny` и `permit`. Если никакие критерии соответствия не определены, значение по умолчанию — `deny`. Если вы повторно вводите условия для ACL, новые правила будут добавлены в конец списка. Значение *name* может быть длиной до 32 символов.

**Формат:** `management access-list name`

**Режим ввода команд:** глобальная конфигурация

#### ***no management access-list***

Данная команда удаляет MACAL, идентифицируемый параметром *name*, из системы.

**Формат:** `no management access-list name`

**Режим ввода команд:** глобальная конфигурация

#### ***{deny | permit} (Management ACAL)***

Эта команда создает новое правило для текущего списка MACAL. Правило может либо запретить, либо разрешить трафик в соответствии с указанными полями классификации. Правила с параметрами `ethernet`, `vlan` и `port-channel` будут действовать только если IP-адрес определяется на соответствующем интерфейсе. Каждое правило должно иметь уникальный приоритет.

**Формат:** `{deny | permit} [ethernet interface-number | vlan vlan-id | port-channel number] [service service] [priority priority-value]`

```
{deny | permit} ip-source ip-address [mask mask | prefix-length] [ethernet interface-number | vlan vlan-id | port-channel number] [service service] [priority priority-value]
```

**Режим ввода команд:** конфигурирование MACAL

<i>Параметр</i>	<i>Описание</i>
<b>ethernet</b>	Номер порта Ethernet.
<b>ip-source</b>	IP-адрес источника
<b>port-channel</b>	Номер агрегированного интерфейса.
<b>priority</b>	Приоритет правила.
<b>service</b>	Состояние типа сервиса, которое может выражаться одним из следующих ключевых слов: <ul style="list-style-type: none"> <li>• java</li> <li>• tftp</li> <li>• telnet</li> <li>• ssh</li> <li>• http</li> <li>• https</li> <li>• snmp</li> <li>• snmp</li> <li>• snmp</li> <li>• any</li> </ul>
<b>vlan</b>	Номер VLAN.
<b>mask</b>	Сетевая маска IP-адреса источника (0–32).
<b>prefix-length</b>	Число битов, которые составляют префикс IP-адреса источника. Перед длиной префикса ставится косая черта (/).

### ***management access-class***

Используйте эту команду, чтобы выбрать активный список контроля доступа. Активный список MACAL не может быть обновлен или удален. Ключевое слово `console-only` указывает, что устройство может управляться только с консоли.

**Формат:** `management access-class {console-only | name}`

**Режим ввода команд:** глобальная конфигурация

### ***no management access-class***

Эта команда отключает ограничения управления.

**Формат:** `no management access-class`

**Режим ввода команд:** глобальная конфигурация

### ***show management access-list***

Данная команда отображает списки MACAL.

**Формат:** `show management access-list [name]`

**Режим ввода команд:** привилегированный

### ***show management access-class***

Эта команда отображает информацию об активном списке MACAL.

**Формат:** `show management access-class [name]`

**Режим ввода команд:** привилегированный

### 13.11 Команды настройки временного диапазона для ACL с ограничением по времени

ACL с ограничением по времени позволяют одному или нескольким правилам внутри ACL работать в зависимости от текущего времени. Каждое правило ACL, за исключением неявного *deny all*, может быть сконфигурировано на активное выполнение только в течение определенного периода времени. Команды временного диапазона позволяют указать определенное время дня и недели для того, чтобы реализовать ACL с ограничением по времени. Временной диапазон идентифицируется по имени. После этого на него можно ссылаться в рамках правил ACL.

#### *time-range*

Используйте эту команду, чтобы создать временной диапазон, определяемый параметром *name*, состоящим из одной абсолютной записи времени и/или одной или нескольких периодических записей времени. Параметр *name* представляет собой буквенно-цифровую строку длиной от 1 до 31 символа с учетом регистра и однозначно идентифицирует временной диапазон. Буквенно-цифровая строка определяется как состоящая только из буквенных символов, цифровых, тире, подчеркивания или символов пробела.

Если временной диапазон с этим именем уже существует, команда входит в режим конфигурирования временного диапазона, чтобы обновить соответствующую запись.



**Если вы успешно выполнили эту команду, то режим CLI изменяется в режим Time-Range Config.**

**Формат:** `time-range name`

**Режим ввода команд:** глобальная конфигурация

#### *no time-range*

Эта команда удаляет тайм-диапазон, идентифицируемый по параметру *name*.

**Формат:** `no time-range name`

**Режим ввода команд:** глобальная конфигурация

#### *absolute*

Используйте эту команду, чтобы добавить абсолютное время записи во временной диапазон. Только одна абсолютная запись времени допускается за временной диапазон. Параметр *time* основывается на текущей конфигурации часового пояса.

Параметры [start time date] указывают дату и время, при котором конфигурация, которая ссылается на временной диапазон, начинает выполнять действие. Время выражается в 24-часовом формате в виде чч:мм. Например, 8:00 это 8:00 утра и 20:00 это 8:00 после полудня. Дата выражается в формате день месяц год. Если время начала и дата не указаны, то инструкция конфигурации отменяется немедленно.

Параметры [end time date] указывают дату и время, при котором конфигурация, которая ссылается на временной диапазон, больше не действует. Если нет конца времени и дата не указана, то инструкция конфигурации действует в течении неопределенного срока.

**Формат:** `absolute [start time date] [end time date]`

**Режим ввода команд:** конфигурирование временного диапазона

### *no absolute*

Эта команда удаляет запись абсолютного времени во временном диапазоне.

**Формат:** `no absolute`

**Режим ввода команд:** конфигурирование временного диапазона

### *periodic*

Используйте эту команду, чтобы добавить периодическую запись времени во временной диапазон. Параметр *time* базируется на настроенном в настоящее время часовом поясе.

Аргумент *days-of-the-week* определяет стартовый день, с которого связанная конфигурация вступает в силу и день окончания, с которого конфигурация больше не действует. В качестве значения аргумента принимается любой один день или сочетание дней: понедельник, вторник, среда, четверг, пятница, суббота, воскресенье. Другие возможные значения:

- `daily` — с понедельника по воскресенье;
- `weekdays` — с понедельника по пятницу;
- `weekend` — суббота и воскресенье.

Первый аргумент *time* является стартовым значением чч:мм, когда конфигурация вступает в силу. Второй представляет собой время окончания в формате чч:мм, с которых конфигурация больше не действует.

чч:мм выражаются в 24-часовом формате. Например, 8:00 это 8:00 утра и 20:00 это 8:00 после полудня.

**Формат:** `periodic days-of-the-week time to time`

**Режим ввода команд:** конфигурирование временного диапазона

### *no periodic*

Эта команда удаляет периодическую запись времени из временного диапазона.

**Формат:** `no periodic days-of-the-week time to time`

**Режим ввода команд:** конфигурирование временного диапазона



## ***show time-range***

Используйте эту команду, чтобы отобразить временной диапазон и все абсолютные/периодические записи времени, которые определены для временного диапазона. Используйте параметр *name*, чтобы идентифицировать конкретный временной диапазон для отображения. Если *name* не указан, отображаются все временные диапазоны, определенные в системе.

**Формат:** `show time-range [name]`

**Режим ввода команд:** привилегированный

Информация, содержащаяся в следующих строках таблицы, отображается, если не указано имя временного диапазона.

<b>Термин</b>	<b>Значение</b>
<b>Admin Mode</b>	Административный режим временного диапазона на коммутаторе.
<b>Current number of all Time Ranges</b>	Количество временных диапазонов, настроенное в системе на данный момент.
<b>Maximum number of all Time Ranges</b>	Максимальное количество временных диапазонов, которые могут быть настроены в системе.
<b>Time Range Name</b>	Имя временного диапазона.
<b>Status</b>	Состояние временного диапазона (активный/неактивный).
<b>Periodic Entry count</b>	Количество периодических записей, настроенных для временного диапазона.
<b>Absolute Entry</b>	Указывает, была ли для временного диапазона настроена (существует ли) абсолютная запись.

## **13.12 Команды Auto-Voice over IP**

В этом разделе описаны команды, используемые для настройки функции Auto-Voice over IP (VoIP). Функция Auto-VoIP явно соответствует VoIP-потокам в коммутаторах Ethernet и обеспечивает им более высокий класс обслуживания, чем для обычного трафика. При включении функции Auto-VoIP на интерфейсе интерфейс сканирует входящий трафик для следующих протоколов управления вызовами:

- Session Initiation Protocol (SIP)
- H.323
- Skinny Client Control Protocol (SCCP)

Когда протокол управления вызовами определен, коммутатор назначает трафик соответствующей сессии в CoS-очередь самого высокого уровня, которая используется для трафика, чувствительного к скорости.

### ***auto-voip***

Используйте эту команду, чтобы настроить режим Auto-VoIP. Поддерживаются режимы protocol-based и oui-based. Auto-VoIP на основе протокола устанавливает приоритет голосовых данных информации на основе layer 4, используемого для голосовой сессии. Auto-VoIP на основе OUI отдает приоритет трафику, основанного на известном OUI телефона.

Когда оба режима включены, подключенный OUI телефона является одним из настроенных OUI, и приоритет для голосовых данных назначается с помощью OUI Auto VoIP, в противном случае приоритет для голосовых данных устанавливается на основе протокола Auto VoIP.

Если Auto VoIP на порту выключен, активные сессии удаляются.

**Значение по умолчанию:** на основе oui  
**Формат:** auto-voip [protocol-based | oui-based]  
**Режим ввода команд:** глобальная конфигурация  
конфигурирование интерфейса

### *no auto-voip*

Используйте **no**-форму команды, чтобы установить режим по умолчанию.

**Формат:** auto-voip [protocol-based | oui-based]  
**Режим ввода команд:** глобальная конфигурация  
конфигурирование интерфейса

### *auto-voip oui*

Используйте эту команду, чтобы настроить OUI для Auto VoIP. Трафик соответствующий настроенному OUI получит наивысший приоритет по отношению к другому трафику. Параметр *oui-prefix* является уникальным OUI, который идентифицирует производителя устройства или поставщика. OUI определяется в трех значениях октета (каждый октет представлен в виде двух шестнадцатеричных цифр), разделенных двоеточием. Параметр *string* представляет собой описание OUI, которое идентифицирует связанного производителя или поставщика.

**Значение по умолчанию:** Список известных OUI присутствует.  
**Формат:** auto-voip oui *oui-prefix* *oui-desc* *string*  
**Режим ввода команд:** глобальная конфигурация

### *no auto-voip oui*

Используйте **no**-форму команды, чтобы удалить настроенный OUI-префикс.

**Формат:** no auto-voip oui *oui-prefix*  
**Режим ввода команд:** глобальная конфигурация

### *auto-voip oui-based priority*

Используйте эту команду для настройки глобального приоритета VoIP на основе OUI. Если OUI телефона соответствует одному из настроенных OUI, то приоритет трафика с телефона меняется на приоритет OUI, настраиваемый с помощью этой команды. Параметр *priority-value* 802.1p используется для трафика, который соответствует значению в известном списке OUI.

**Значение по умолчанию:** максимальный приоритет (7)  
**Формат:** auto-voip oui-based priority *priority-value*  
**Режим ввода команд:** глобальная конфигурация

### *no auto-voip oui-based priority*

Используйте **no**-форму команды, чтобы вернуть глобальный приоритет VoIP в значение по умолчанию.

**Формат:** `no auto-voip oui oui-prefix`  
**Режим ввода команд:** глобальная конфигурация  
 конфигурирование интерфейса

### *auto-voip protocol-based*

Используйте эту команду для настройки приоритета или класса трафика Auto VoIP на основе протокола. Если приоритет для замечаний настроен, голосовые данные в этой сессии отмечаются приоритетом с помощью данной команды.

Значение *remark priority* является приоритетом 802.1p, используемым для маркирования трафика VoIP. Если интерфейс определяет протокол управления вызовами, устройство помечает указанным значением приоритета 802.1p голосовой трафик, для гарантированного наивысшего приоритета по всему сетевому пути.

Значение *traffic-class tc* является классом трафика (CoS). Если интерфейс определяет протокол управления вызовами, устройство связывает голосовой трафик с соответствующим CoS. Очередь CoS, связанная с указанным классом трафика, должна быть настроена с соответствующим распределением полосы пропускания для передачи приоритетного трафика VoIP.



**Требуется включить тегирование для портов с автоматическим VoIP, чтобы отличать голосовые данные на выходе.**

**Значение по умолчанию:** Traffic Class 7  
**Формат:** `auto-voip protocol-based {remark remark-priority | traffic-class tc}`  
**Режим ввода команд:** глобальная конфигурация  
 конфигурирование интерфейса

### *no auto-voip protocol-based*

Используйте эту команду для сброса автоматически назначаемого приоритета или класса трафика VoIP в значение по умолчанию.

**Формат:** `no auto-voip protocol-based {remark remark-priority | traffic-class tc}`  
**Режим ввода команд:** глобальная конфигурация  
 конфигурирование интерфейса

### *auto-voip vlan*

Используйте эту команду, чтобы настроить глобальный Auto VoIP VLAN ID. Режим VLAN зависит от режима Auto VoIP. Auto-VoIP VLAN является VLAN, используемой для разделения VoIP-

трафика от другого не голосового трафика. Трафик VoIP, который соответствует значению в известном списке OUI, получает назначение в VoIP VLAN.

**Значение по умолчанию:** отсутствует  
**Формат:** auto-voip vlan *vlan-id*  
**Режим ввода команд:** глобальная конфигурация

### *no auto-voip vlan*

Используйте **no**-форму команды для сброса Auto-VoIP VLAN ID в значение по умолчанию.

**Формат:** no auto-voip vlan  
**Режим ввода команд:** глобальная конфигурация

### *show auto-voip*

Используйте эту команду, чтобы отобразить параметры VoIP на интерфейсе или интерфейсе коммутатора.

**Формат:** show auto-voip {protocol-based|oui-based} interface {unit/slot/port|all}  
**Режим ввода команд:** привилегированный

<i>Поле</i>	<i>Описание</i>
<b>VoIP VLAN ID</b>	Глобальный VoIP VLAN ID.
<b>Prioritization Type</b>	Тип приоритетов, используемого голосового трафика.
<b>Class Value</b>	<ul style="list-style-type: none"> <li>Если <b>Prioritization Type</b> сконфигурирован как traffic-class, это значение равно значению очереди.</li> <li>Если <b>Prioritization Type</b> сконфигурирован как remark, это значение является приоритетом 802.1p, используемым для маркировки голосового трафика.</li> </ul>
<b>Priority</b>	Приоритет 802.1p. Это поле действительно для OUI Auto VoIP.
<b>AutoVoIP Mode</b>	Состояние Auto VoIP на интерфейсе.

### *show auto-voip oui-table*

Используйте эту команду для отображения информации о OUI-таблице VoIP.

**Формат:** show auto-voip oui-table  
**Режим ввода команд:** привилегированный

<i>Параметр</i>	<i>Описание</i>
<b>OUI</b>	OUI MAC-адреса источника.
<b>Status</b>	По умолчанию или настроенный.
<b>OUI Description</b>	Описание OUI.

### 13.13 Команды оптимизации iSCSI

В этом разделе описаны команды, используемые для мониторинга iSCSI-сессий и приоритизации пакетов iSCSI. Оптимизация iSCSI обеспечивает QoS-обработку трафика между инициатором и целевой системой iSCSI. Это достигается за счет мониторинга трафика для обнаружения пакетов, используемых iSCSI-станциями для создания iSCSI-сессий и соединений. Данные такого обмена используются для создания правил классификации. Пакеты в потоке будут поставлены в очередь и запланированы на выходе на порт назначения на основе этих правил.

#### *iscsi aging time*

Эта команда устанавливает *aging time* для сессий iSCSI. Схема поведения при смене *aging time* следующая.

- Если *aging time* увеличивается, текущие сессии будут приостановлены в соответствии с новым значением.
- Если *aging time* уменьшается, любые сессии, которые были в таблице в течение времени, превышающего новые настройки, будут немедленно удалены. Все остальные сессии будут продолжать существовать в зависимости от нового значения *aging time*.

**Значение по умолчанию:** 10 минут  
**Формат:** `iscsi aging time time`  
**Режим ввода команд:** глобальная конфигурация

Параметр	Описание
<code>time</code>	Количество минут сессии, в течение которых она должна быть неактивна для удаления. Диапазон: 1–43 200.

#### *no iscsi aging time*

Используйте по-форму команды для сброса значения *aging time* в значение по умолчанию.

**Формат:** `no iscsi aging time`  
**Режим ввода команд:** глобальная конфигурация

#### *iscsi cos*

Эта команда устанавливает профиль качества обслуживания, который будет применен к потокам iSCSI. Потоки iSCSI назначены по умолчанию на наивысший VPT/DSCP, отображенный на самой высокой доступной очереди. Необходимо также позаботиться о настройке соответствующих параметров класса обслуживания для очереди.

Настройка VPT/DSCP устанавливает профиль QoS, который определяет очередь выхода. Настройка планирования очередей коммутатора по умолчанию для исходящего трафика является Weighted Round Robin (WRR).

Вы можете осуществить настройки QoS с помощью настройки соответствующих портов для работы в других режимах планирования и управления очередью через настройки CoS. CoS может

включать в себя строгий приоритет очереди, используемой для iSCSI-трафика. Недостатком строгого планирования приоритетов является то, что при определенных обстоятельствах (при большом количестве трафика с высоким приоритетом) другие, более низкие приоритеты трафика могут пострадать. В WRR очередь, к которой поток назначается, может быть настроена для получения необходимого процента пропускной способности.

**Формат:** `iscsi cos {vpt vpt | dscp dscp} [remark]`

**Режим ввода команд:** глобальная конфигурация

<i>Параметр</i>	<i>Описание</i>
<b>vpt/dscp</b>	VLAN Priority Tag или DSCP для назначения пакетов iSCSI-сессии.
<b>remark</b>	Маркирует кадры iSCSI с настроенным VPT/DSCP на выходе из коммутатора.

### *no iscsi cos*

Используйте по-форму команды, чтобы вернуться к значению по умолчанию.

**Формат:** `no iscsi cos`

**Режим ввода команд:** глобальная конфигурация

### *iscsi enable*

Эта команда глобально включает определение iSCSI.

**Значение по умолчанию:** выключено

**Формат:** `iscsi enable`

**Режим ввода команд:** глобальная конфигурация

### *no iscsi enable*

Эта команда отключает определение iSCSI. При использовании команды `no iscsi enable`, iSCSI-ресурсы будут освобождены.

**Формат:** `no iscsi enable`

**Режим ввода команд:** глобальная конфигурация

### *iscsi target port*

Эта команда настраивает целевой порт iSCSI и при необходимости IP-адрес целевой системы и имя IQN. При работе с частными портами iSCSI (не портами 3260/860, назначенными IANA), рекомендуется также указать целевой IP-адрес, чтобы коммутатор отслеживал только кадры со значением TCP-порта из числа заданных и с IP-адресом назначения, совпадающим с целевым адресом. Таким образом, процессор не будет ошибочно загружен для неисполнения iSCSI-потоков (если случайно другие приложения также решили использовать эти незарезервированные порты).

Когда порт уже определен и не привязан к IP-адресу и вы хотите привязать его к IP-адресу, вы должны сначала удалить его, используя по-форму этой команды, а затем добавить его снова, на этот раз вместе с соответствующим IP-адресом.

Целевые имена отображаются только при использовании команды **show iscsi**. Эти имена не используются для сопоставления с информацией о iSCSI-сессии.

Максимум 16 портов TCP могут быть настроены либо привязаны к IP или нет.

**Значение по умолчанию:** Хорошо известные iSCSI-порты 3260 и 860 настроены по умолчанию, но могут быть удалены, как и любая другая настроенная в ручную.

**Формат:** `iscsi target port tcp-port-1 [tcp-port-2...tcp-port-16] [address ip-address] [name targetname]`

**Режим ввода команд:** глобальная конфигурация

Параметр	Описание
<b>tcp-port-n</b>	Номер порта TCP или список номеров портов TCP, на котором целевой iSCSI прослушивает запросы. До 16 портов TCP могут быть определены в системе в одной команде или с помощью нескольких команд.
<b>ip-address</b>	IP-адрес целевого устройства. Когда ни одна из форм этой команды не используется и TCP-порт, который будет удален, привязан к определенному IP-адресу, поле адреса должно присутствовать.
<b>targetname</b>	iSCSI-имя целевого устройства. Имя может быть статически сконфигурировано. Тем не менее, оно может быть получено из iSNS или из ответа SendTargets. Инициатор должен представить и собственное iSCSI-имя, и iSCSI-имя целевого устройства, к которому он хочет подключиться, в первом запросе авторизации новой сессии или соединения.

### *no iscsi target port*

Используйте по-форму команды, чтобы удалить целевой порт iSCSI, адрес и имя.

### *show iscsi*

Эта команда отображает параметры iSCSI.

**Формат:** `show iscsi`

**Режим ввода команд:** привилегированный

### *show iscsi sessions*

Эта команда отображает сессии iSCSI.

**Значение по умолчанию:** если не указано, сеансы отображаются в режиме short (не подробно).

**Формат:** `show iscsi sessions [detailed]`

**Режим ввода команд:** привилегированный

## 14 СИСТЕМНЫЕ СООБЩЕНИЯ

В данном разделе описаны основные сообщения системного журнала и причины их появления. Сообщениям в журнале нельзя назначать какие-либо действия. При диагностировании проблемы проверьте сообщения в журнале событий, что, в совокупности со знанием конфигурации системы и особенностей данной проблемы, поможет определить главную причину возникновения проблемы. Последние зарегистрированные сообщения отображаются в первую очередь.



В данном разделе перечислены не все сообщения системного журнала.

### 14.1 База

#### Системные сообщения BSP

Компонент	Сообщение	Причина
BSP	Event(0хaaaaaaa)	Перезагрузка коммутатора.
BSP	Starting code...	Инициализация BSP завершена, начало работы ПО.

#### Системные сообщения NIM

Компонент	Сообщение	Причина
NIM	NIM: L7_ATTACH out of order for interface unit x slot x port x	Некорректно создан интерфейс.
NIM	NIM: Failed to find interface at unit x slot x port x for event(x)	Отсутствует маппинг между USP и номером интерфейса.
NIM	NIM: L7_DETACH out of order for interface unit x slot x port x	Некорректно создан интерфейс.
NIM	NIM: L7_DELETE out of order for interface unit x slot x port x	Некорректно создан интерфейс.
NIM	NIM: event(x),intf(x),component(x), in wrong phase	Событие NIM произошло в неверную фазу конфигурации (вероятно, фазу 1,2 или WMU).
NIM	NIM: Failed to notify users of interface change	Событие не было распространено по системе.
NIM	NIM: failed to send message to NIM message Queue	Очередь сообщений NIM заполнена или не существует.
NIM	NIM: Failed to notify the components of L7_CREATE event	Интерфейс не создан.
NIM	NIM: Attempted event (x), on USP x.x.x before phase 3	Компонент инициировал событие интерфейса во время неверной фазы инициализации.
NIM	NIM: incorrect phase for operation	Вызов API сделан во время неверной фазы инициализации.
NIM	NIM: Component(x) failed on event(x) for interface	Компонент вернул неверную индикацию для события интерфейса.



<b>NIM</b>	NIM: Timeout event(x), interface remainingMask = xxxx	Компонент не ответил NIM до истечения времени.
------------	---	--

### Системное сообщение SIM

<i>Компонент</i>	<i>Сообщение</i>	<i>Причина</i>
<b>SIM</b>	IP address conflict on service port/network port for IP address x.x.x.x. Conflicting host MAC address is xx:xx:xx:xx:xx:xx	Конфликт адресов в сети LAN (IP-адрес служебного/сетевого порта).

### Системные сообщения System

<i>Компонент</i>	<i>Сообщение</i>	<i>Причина</i>
<b>SYSTEM</b>	Configuration file system.cfg size is 0 (zero) bytes	Файл конфигурации не может быть прочитан. На системе отсутствует или стерта конфигурация.
<b>SYSTEM</b>	could not separate SYSAPI_CONFIG_FILENAME	Файл конфигурации не может быть прочитан. На системе отсутствует или стерта конфигурация.
<b>SYSTEM</b>	Building defaults for file <i>file name</i> version <i>version num</i>	Конфигурация для заданной опции или файла отсутствует или не может быть прочитана. Будут использованы значения по умолчанию. Имя и версия файла указаны.
<b>SYSTEM</b>	File <i>filename</i> : same version ( <i>version num</i> ) but the sizes ( <i>version size</i> – <i>expected version size</i> ) differ	Загруженный файл конфигурации отличается по размеру номера версии от ожидаемого. Требуется перевести файл конфигурации на номер версии, соответствующей данному образу кода. Сообщение может появиться после обновления образа кода до более новой версии продукта.
<b>SYSTEM</b>	Migrating config file <i>filename</i> from version <i>version num</i> to <i>version num</i>	Идентифицированный файл конфигурации был переведен с предыдущего номера версии. Заданы как старая, так и новая версии. Сообщение может появиться после обновления образа кода до более новой версии продукта.
<b>SYSTEM</b>	Building Defaults	Конфигурация для заданной опции отсутствует или не может быть прочитана. Будут использованы настройки по умолчанию.
<b>SYSTEM</b>	sysapiCfgFileGet failed size = <i>expected size of file</i> version = <i>expected version</i>	Конфигурация для заданной опции отсутствует или не может быть прочитана. За данным сообщением, как правило, следует сообщение, что будут использованы настройки конфигурации по умолчанию.

## 14.2 Утилиты

### Системные сообщения менеджера трапов (Trap Mgr)

<i>Компонент</i>	<i>Сообщение</i>	<i>Причина</i>
<b>Trap Mgr</b>	Link Up/Down: unit/slot/port	Изменено состояние канала связи на интерфейсе.

### Системные сообщения фильтрации DHCP (DHCP Filtering)

<i>Компонент</i>	<i>Сообщение</i>	<i>Причина</i>
<b>DHCP Filtering</b>	Unable to create r/w lock for DHCP Fil-	Невозможно создать семафор для структу-

	tering	ры конфигурации фильтрации dhcp.
<b>DHCP Filtering</b>	Failed to register with nv Store	Невозможно зарегистрировать функции сохранения и восстановления для сохранения конфигурации.
<b>DHCP Filtering</b>	Failed to register with NIM	Невозможно зарегистрироваться в NIM для функций обратного вызова интерфейса.
<b>DHCP Filtering</b>	Error on call to sysapiCfgFileWrite file	Ошибка при попытке сохранения конфигурации.

### Системные сообщения NVStore

<i>Компонент</i>	<i>Сообщение</i>	<i>Причина</i>
<b>NVStore</b>	Building defaults for file XXX	Файл конфигурации компонента отсутствует или контрольная сумма файла неверна, используется файл конфигурации по умолчанию.
<b>NVStore</b>	Error on call to osapiFsWrite routine on file XXX	Файл не может быть открыт или устройство ввода-вывода операционной системы вернуло ошибку при попытке записи в файл.
<b>NVStore</b>	Error on call to osapiFsWrite routine on file XXX	Рассчитанная контрольная сумма файла конфигурации компонента в файловой системе не совпадает с контрольной суммой в памяти.
<b>NVStore</b>	Migrating config file XXX from version Y to Z	Обнаружено несовпадение версии файла конфигурации, начат переход файла конфигурации.

### Системные сообщения RADIUS

<i>Компонент</i>	<i>Сообщение</i>	<i>Причина</i>
<b>RADIUS</b>	RADIUS: Invalid data length - xxx	Клиентом RADIUS получено недействительное сообщение с сервера.
<b>RADIUS</b>	RADIUS: Failed to send the request	Проблема соединения с сервером RADIUS.
<b>RADIUS</b>	RADIUS: Failed to send all of the request	Проблема во время обмена данными с сервером RADIUS.
<b>RADIUS</b>	RADIUS: Could not get the Task Sync semaphore!	Проблема выделения ресурсов клиент-сервиса RADIUS.
<b>RADIUS</b>	RADIUS: Buffer is too small for response processing	Клиент RADIUS превысил лимит ресурсов при создании ответа.
<b>RADIUS</b>	RADIUS: Could not allocate accounting requestInfo	Проблема выделения ресурсов клиент-сервиса RADIUS.
<b>RADIUS</b>	RADIUS: Could not allocate requestInfo	Проблема выделения ресурсов клиент-сервиса RADIUS.
<b>RADIUS</b>	RADIUS: osapiSocketRecvFrom returned error	Ошибка при попытке прочесть данные с сервера RADIUS.
<b>RADIUS</b>	RADIUS: Accounting-Response failed to validate, id = xxx	Клиентом RADIUS получено недействительное сообщение с сервера.
<b>RADIUS</b>	RADIUS: User (xxx) needs to respond for challenge	Получен непредвиденный вызов для сконфигурированного пользователя.
<b>RADIUS</b>	RADIUS: Could not allocate a buffer for the packet	Проблема выделения ресурсов клиент-сервиса RADIUS.
<b>RADIUS</b>	RADIUS: Access-Challenge failed to validate, id = xxx	Клиентом RADIUS получено недействительное сообщение с сервера.

<b>RADIUS</b>	RADIUS: Failed to validate Message-Authenticator, id = xxx	Клиентом RADIUS получено недействительное сообщение с сервера.
<b>RADIUS</b>	RADIUS: Access-Accept failed to validate, id = xxx	Клиентом RADIUS получено недействительное сообщение с сервера.
<b>RADIUS</b>	RADIUS: Invalid packet length – xxx	Клиентом RADIUS получено недействительное сообщение с сервера.
<b>RADIUS</b>	RADIUS: Response is missing Message-Authenticator, id = xxx	Клиентом RADIUS получено недействительное сообщение с сервера.
<b>RADIUS</b>	RADIUS: Server address doesn't match configured server	Клиентом RADIUS получен ответ с не сконфигурированного сервера.

### Системные сообщения TACACS+

<i>Компонент</i>	<i>Сообщение</i>	<i>Причина</i>
<b>TACACS+</b>	TACACS+: authentication error, no server to contact	Требуется запрос TACACS+, но нет сконфигурированных серверов.
<b>TACACS+</b>	TACACS+: connection failed to server x.x.x.x	Не получено ответа на запрос TACACS+, отправленный на сервер x.x.x.x.
<b>TACACS+</b>	TACACS+: no key configured to encrypt packet for server x.x.x.x	Не сконфигурирован ключ для заданного сервера.
<b>TACACS+</b>	TACACS+: received invalid packet type from server	Тип полученного пакета не поддерживается.
<b>TACACS+</b>	TACACS+: invalid major version in received packet	Несоответствие старшей версии.
<b>TACACS+</b>	TACACS+: invalid minor version in received packet	Несоответствие младшей версии.

### Системное сообщение LLDP

<i>Компонент</i>	<i>Сообщение</i>	<i>Причина</i>
<b>LLDP</b>	lldpTask(): invalid message type:xx.xxxxxx:xx	Получен неподдерживаемый пакет LLDP.

### Системное сообщение SNMP

<i>Компонент</i>	<i>Сообщение</i>	<i>Причина</i>
<b>SNTP</b>	SNTP: system clock synchronized on %s UTC	Протокол SNTP успешно синхронизирован со временем модуля сервера.

### Системные сообщения клиента DHCPv6

<i>Компонент</i>	<i>Сообщение</i>	<i>Причина</i>
<b>DHCP6 Client</b>	ip6Map dhcp add failed.	Сбой обновления IP-адреса, арендованного DHCP, для IP6Map.
<b>DHCP6 Client</b>	osapiNetAddrV6Add failed on interface xxx	Сбой обновления IP-адреса, арендованного DHCP, для IP-стека (IP Stack) ядра.
<b>DHCP6 Client</b>	Failed to add DNS Server xxx to DNS Client	Сбой обновления адреса сервера DNS6 Server, сообщенного сервером DHCPv6 Server клиенту DNS6 Client.
<b>DHCP6 Client</b>	Failed to add Domain name xxx to DNS Client	Сбой обновления информации об имени домена DNS6 Domain, предоставленной сервером DHCPv6 Server клиенту DNS6

	Client.
--	---------

#### Системные сообщения клиента DHCPv4

Компонент	Сообщение	Причина
DHCP4 Client	Unsupported subOption (xxx) in Vendor Specific Option in received DHCP pkt	Получено сообщение DHCP-сервера с неподдерживаемой опцией производителя (Vendor Option).
DHCP4 Client	Failed to acquire an IP address on xxx; DHCP Server did not respond	Сбой аренды DHCP-клиентом IP-адреса, полученного с DHCP-сервера.
DHCP4 Client	DNS name server entry add failed	Сбой обновления информации по серверу имени домена DNS, полученной клиентом DNS от сервера DHCP
DHCP4 Client	DNS domain name list entry addition failed	Сбой обновления информации о списке имен доменов DNS, полученной клиентом DNS от сервера DHCP.
DHCP4 Client	Interface xxx Link State is Down. Connect the port and try again.	При конфигурации сетевого протокола с DHCP отсутствуют активные каналы связи в управляющей VLAN.

### 14.3 Управление

#### Системное сообщение SNMP

Компонент	Сообщение	Причина
SNMP	EDB Callback: Unit Join: x	К стеку присоединено новое устройство.

#### Системные сообщения EmWeb

Компонент	Сообщение	Причина
EmWeb	EMWEB (Telnet): Max number of Telnet login sessions exceeded	Попытка установить соединение через telnet при достигнутом максимуме активных сессий telnet.
EmWeb	EMWEB (SSH): Max number of SSH login sessions exceeded	Попытка установить соединение через SSH при достигнутом максимуме активных сессий SSH.
EmWeb	Handle table overflow	Соединение невозможно, все доступные дескрипторы соединений EmWeb уже используются.
EmWeb	ConnectionType EmWeb socket accept() failed: errno	Сокет не подходит заданному типу соединения.
EmWeb	ewsNetHTTPReceive failure in NetReceiveLoop() - closing connection	Сбой получения сокета.
EmWeb	EmWeb: connection allocation failed	Сбой выделения памяти для нового соединения.
EmWeb	EMWEB TransmitPending: EWOULDBLOCK error sending data	Ошибка сокета при отправлении данных.
EmWeb	ewaNetHTTPEnd: internal error - handle not in Handle table	Недопустимый индекс-дескриптор EmWeb.
EmWeb	ewsNetHTTPReceive:recvBufCnt exceeds MAX_QUEUED_RECV_BUFS!	Достигнут лимит буфера приема. Неверный запрос или DoS-атака.
EmWeb	EmWeb accept: XXXX	Сбой функции доступа для нового соединения SSH. XXXX – информация об ошибке.

### Системные сообщения CLI\_UTIL

<i>Компонент</i>	<i>Сообщение</i>	<i>Причина</i>
CLI_UTIL	Telnet Send Failed errno = 0x%x	Не удалось отправить текстовую строку клиенту telnet.
CLI_UTIL	osapiFsDir failed	Не удалось получить информацию о каталоге из каталога тома.

### Системные сообщения WEB

<i>Компонент</i>	<i>Сообщение</i>	<i>Причина</i>
Web	Max clients exceeded	Превышено максимальное количество соединений java-клиентов с коммутатором.
Web	Error on send to sockfd XXXX, closing connection	Не удалось отправить данные java-клиентам через данный сокет.
Web	# (XXXX) Form Submission Failed. No Action Taken.	Не удалось представить форму, действий не предпринято. XXXX – имя файла.
Web	ewaFormServe_file_download() - WEB Unknown return code from tftp download result	Неизвестная ошибка при загрузке файла с web-интерфейса через протокол TFTP.
Web	ewaFormServe_file_upload() - Unknown return code from tftp upload result	Неизвестная ошибка при выгрузке файла с web-интерфейса через протокол TFTP.
Web	Web UI Screen with unspecified access attempted to be brought up	Не удалось получить дескриптор авторизации приложения для EmWeb/Server в ewAuthRegister(). Заданная web-страница будет выведена в режиме «только для чтения».

### Системные сообщения CLI\_WEB\_MGR

<i>Компонент</i>	<i>Сообщение</i>	<i>Причина</i>
CLI_WEB_MGR	File size is greater than 2K	Размер файла баннера превышает 2 килобайта.
CLI_WEB_MGR	No. of rows greater than allowed maximum of XXXX	Количество строк превышает допустимый максимум.

### Системные сообщения SSHD

<i>Компонент</i>	<i>Сообщение</i>	<i>Причина</i>
SSHD	SSHD: Unable to create the global (data) semaphore	Не удалось создать семафор для защиты глобальных данных.
SSHD	SSHD: Msg Queue is full, event = XXXX	Не удалось отправить сообщение события XXXX в очередь сообщений SSHD, очередь сообщений заполнена.
SSHD	SSHD: Unknown UI event in message, event = XXXX	Не удалось скоординировать сообщение UI с подходящей функцией SSHD, событие XXXX недопустимо.
SSHD	sshdApiCnfgrCommand: Failed calling sshdIssueCmd	Не удалось отправить сообщение в очередь сообщений SSHD.

### Системные сообщения SSLT

<i>Компонент</i>	<i>Сообщение</i>	<i>Причина</i>
SSLT	SSLT: Exceeded maximum, ssltConnectionTask	Превышен максимум разрешенных соединений SSLT.
SSLT	SSLT: Error creating Secure server socket6	Не удалось создать сокет защищенного

		сервера для IPv6.
SSLT	SSLT: Can't connect to unsecure server at XXXX, result = YYYY, errno = ZZZZ	Не удалось открыть соединения с незащищенным сервером. XXXX – адрес сокета незащищенного сервера. YYYY – результат, возвращенный при попытке соединения. ZZZZ – код ошибки.
SSLT	SSLT: Msg Queue is full, event = XXXX	Не удалось отправить полученное сообщение в очередь сообщений SSLT, очередь заполнена. XXXX – событие.
SSLT	SSLT: Unknown UI event in message, event = XXXX	Не удалось скоординировать сообщение пользовательского интерфейса (UI) с подходящей функцией SSLT, событие XXXX недопустимо.
SSLT	sslApiCnfrCommand: Failed calling ssltIssueCmd	Не удалось отправить сообщение в очередь сообщений SSLT.
SSLT	SSLT: Error loading certificate from file XXXX	Не удалось загрузить сертификат SSL из файла XXXX.
SSLT	SSLT: Error loading private key from file	Не удалось загрузить приватный ключ для соединения SSL.
SSLT	SSLT: Error setting cipher list (no valid ciphers)	Ошибка настройки списка шифров.
SSLT	SSLT: Could not delete the SSL semaphores	Не удалось удалить SSL семафоры при очистке всех ресурсов семафоров OpenSSL Locking.

#### Системные сообщения User\_Manager

<i>Компонент</i>	<i>Сообщение</i>	<i>Причина</i>
User_Manager	User Login Failed for XXXX	Не удалось аутентифицировать пользователя при авторизации. XXXX – имя пользователя.
User_Manager	Access level for user XXXX could not be determined. Setting to Level 1	Недопустимый уровень доступа для пользователя. Установлен на уровень 1. XXXX – имя пользователя.
User_Manager	Could not migrate config file XXXX from version YYYY to ZZZZ. Using defaults	Не удалось перевести файл конфигурации. XXXX – имя файла конфигурации. YYYY – номер старой версии, ZZZZ – номер новой версии.

## 14.4 Коммутация

#### Системные сообщения защищенных портов (Protected Ports)

<i>Компонент</i>	<i>Сообщение</i>	<i>Причина</i>
Protected Ports	Protected Port: failed to save configuration	Невозможно сохранить конфигурацию защищенного порта.
Protected Ports	protectedPortCnfrInitPhase1Process: Unable to create r/w lock for protected Port	Сбой protectedPortCnfrRWLock
Protected Ports	protectedPortCnfrInitPhase2Process: Unable to register for VLAN change callback	Сбой nimRegisterIntfChange для VLAN.
Protected Ports	Cannot add interface xxx to group yyy	Невозможно добавить интерфейс в заданную группу.
Protected Ports	unable to set protected port group	Сбой вызова DTL на добавление маски интерфейса на уровне драйвера.

<b>Protected Ports</b>	Cannot delete interface xxx from group yyy	Сбой вызова DTL на удаление интерфейса из группы.
<b>Protected Ports</b>	Cannot update group YYY after deleting interface XXX	Сбой обновления группы после удаления интерфейса.
<b>Protected Ports</b>	Received an interface change callback while not ready to receive it	Обратный вызов об изменении интерфейса получен до готовности компонента защищенного порта принять его.

### Системные сообщения сетей VLAN IP-подсети (IP subnet VLANs)

<i>Компонент</i>	<i>Сообщение</i>	<i>Причина</i>
<b>IP subnet VLANs</b>	ERROR vlanIpSubnetSubnetValid:Invalid subnet	CLI вернул недопустимую пару подсети и сетевой маски.
<b>IP subnet VLANs</b>	IP Subnet Vlan: failed to save configuration	Не удалось сохранить конфигурацию vlan подсети.
<b>IP subnet VLANs</b>	vlanIpSubnetCnfrgrInitPhase1Process: Unable to create r/w lock for vlanIpSubnet	Сбой создания блокировки чтения-записи.
<b>IP subnet VLANs</b>	vlanIpSubnetCnfrgrInitPhase2Process: Unable to register for VLAN change callback	Невозможно зарегистрировать данный компонент в уведомлениях об изменении vlan.
<b>IP subnet VLANs</b>	vlanIpSubnetCnfrgrFiniPhase1Process: could not delete avl semaphore	Сбой удаления семафора данного компонента.
<b>IP subnet VLANs</b>	vlanIpSubnetDtlVlanCreate: Failed	Вызову DTL не удалось добавить запись в таблицу.
<b>IP subnet VLANs</b>	vlanIpSubnetSubnetDeleteApply: Failed	DTL не удалось удалить запись из таблицы.
<b>IP subnet VLANs</b>	vlanIpSubnetVlanChangeCallback: Failed to add an Entry	DTL не удалось добавить запись для события уведомления о добавлении vlan.
<b>IP subnet VLANs</b>	vlanIpSubnetVlanChangeCallback: Failed to delete an Entry	DTL не удалось удалить запись для события уведомления об удалении vlan.

### Системные сообщения сетей VLAN с MAC-адресацией (MAC based VLANs)

<i>Компонент</i>	<i>Сообщение</i>	<i>Причина</i>
<b>MAC based VLANs</b>	MAC VLANs: Failed to save configuration	Не удалось сохранить конфигурацию vlan с MAC-адресацией.
<b>MAC based VLANs</b>	vlanMacCnfrgrInitPhase1Process: Unable to create r/w lock for vlanMac	Сбой создания блокировки чтения-записи.
<b>MAC based VLANs</b>	Unable to register for VLAN change callback	Невозможно зарегистрировать данный компонент в уведомлениях об изменении vlan.
<b>MAC based VLANs</b>	vlanMacCnfrgrFiniPhase1Process: could not delete avl semaphore	Сбой удаления семафора данного компонента.
<b>MAC based VLANs</b>	vlanMacAddApply: Failed to add an entry	DTL не удалось добавить запись в таблицу.
<b>MAC based VLANs</b>	vlanMacDeleteApply: Unable to delete an Entry	DTL не удалось удалить запись из таблицы.
<b>MAC based VLANs</b>	vlanMacVlanChangeCallback: Failed to add an entry	DTL не удалось добавить запись для события уведомления о добавлении vlan.
<b>MAC based VLANs</b>	vlanMacVlanChangeCallback: Failed to delete an entry	DTL не удалось удалить запись для события уведомления об удалении vlan.

### Системные сообщения 802.1X

Компонент	Сообщение	Причина
802.1X	<i>function</i> : Failed calling dot1xIssueCmd	Очередь сообщений 802.1X переполнена.
802.1X	<i>function</i> : EAP message not received from server	Сервер RADIUS не отправил требуемое сообщение EAP.
802.1X	<i>function</i> : Out of System buffers	802.1X не может обработать/передать сообщение, недостаток внутренних буферов.
802.1X	<i>function</i> : could not set state to <i>authorized/unauthorized</i> , intf xxx	Сбой вызова DTL при определении состояния авторизации порта.
802.1X	dot1xApplyConfigData: Unable to <i>enable/disable</i> dot1x in driver	Сбой DTL при включении/отключении 802.1X.
802.1X	dot1xSendRespToServer: dot1xRadiusAccessRequestSend failed	Сбой отправки сообщения на сервер RADIUS.
802.1X	dot1xRadiusAcceptProcess: error calling radiusAccountingStart, ifIndex = xxx	Не удалось отправить начало учета на сервер RADIUS.
802.1X	<i>function</i> : failed sending terminate cause, intf xxx	Не удалось отправить окончание учета на сервер RADIUS.

### Системные сообщения IGMP Snooping

Компонент	Сообщение	Причина
IGMP Snooping	<i>function</i> : osapiMessageSend failed	Очередь сообщений IGMP Snooping переполнена.
IGMP Snooping	Failed to set global igmp snooping mode to xxx	Не удалось установить режим глобального IGMP-отслеживания (IGMP Snooping), очередь сообщений переполнена.
IGMP Snooping	Failed to set igmp snooping mode xxx for interface yyy	Не удалось установить режим IGMP Snooping для интерфейса, очередь сообщений переполнена.
IGMP Snooping	Failed to set igmp mrouter mode xxx for interface yyy	Не удалось установить режим многоадресного ретранслятора интерфейса, очередь сообщений IGMP-отслеживания переполнена.
IGMP Snooping	Failed to set igmp snooping mode xxx for vlan yyy	Не удалось установить режим VLAN IGM Snooping , очередь сообщений переполнена.
IGMP Snooping	Failed to set igmp mrouter mode%d for interface xxx on Vlan yyy	Не удалось установить режим многоадресного ретранслятора VLAN, очередь сообщений IGMP-отслеживания переполнена.
IGMP Snooping	snoopCnfrgInitPhase1Process: Error allocating small buffers	Невозможно выделить буферы для IGMP-пакетов малого размера.
IGMP Snooping	snoopCnfrgInitPhase1Process: Error allocating large buffers	Невозможно выделить буферы для IGMP-пакетов большого размера.

### Системные сообщения GARP/GVRP/GMRP

Компонент	Сообщение	Причина
GARP/GVRP/GMRP	garpSpanState, garpIfStateChange, GarpIssueCmd, garpDot1sChangeCallBack, garpApiCnfrgCommand, garpLeaveAllTimerCallback, garpTimerCallback: QUEUE SEND FAILURE:	Очередь garpQueue переполнена сообщениями (номера внутренних интерфейсов, типы сообщений и др.).
GARP/GVRP/GMRP	GarpSendPDU: QUEUE SEND FAILURE	Очередь garpPduQueue переполнена сообщениями (GPDU, номера внутренних интерфейсов, vlan id, дескрипторы



		буферов и др.).
<b>GARP/GVRP/GMRP</b>	garpMapIntflsConfigurable, gmrpMapIntflsConfigurable: Error accessing GARP/GMRP config data for interface %d in garpMapIntflsConfigurable.	Отсутствует конфигурация по умолчанию для данного интерфейса. Вероятно, создан новый интерфейс, не имеющий предварительной конфигурации.
<b>GARP/GVRP/GMRP</b>	garpTraceMsgQueueUsage: garpQueue usage has exceeded fifty/eighty/ninety percent	Отслеживание состояния очереди сообщений, определение нагрузки на GARP.
<b>GARP/GVRP/GMRP</b>	gid_destroy_port: Error Removing port %d registration for vlan-mac %d - %02X:%02X:%02X:%02X:%02X:%02X	Несовпадение gmd (базы данных GMRP) и MFDB.
<b>GARP/GVRP/GMRP</b>	gmd_create_entry: GMRP failure adding MFDB entry: vlan %d and address %s	Таблица MFDB переполнена.

### Системные сообщения 802.3ad

<i>Компонент</i>	<i>Сообщение</i>	<i>Причина</i>
<b>802.3ad</b>	dot3adReceiveMachine: received default event %x	LAG PDU получен с задержкой, приемное устройство RX игнорирует данный LAGPDU.
<b>802.3ad</b>	dot3adNimEventCompletionCallback, dot3adNimEventCreateCompletionCallback: DOT3AD: notification failed for event(%d), intf(%d), reason(%d)	Событие, отправленное на NIM, не было успешно завершено.

### Системное сообщение FDB

<i>Компонент</i>	<i>Сообщение</i>	<i>Причина</i>
<b>FDB</b>	fdbSetAddressAgingTimeOut: Failure setting fid %d address aging timeout to %d	Невозможно установить лимит жизни на уровне аппаратного обеспечения.

### Системное сообщение тега Double VLAN

<i>Компонент</i>	<i>Сообщение</i>	<i>Причина</i>
<b>Double VLAN Tag</b>	dvlantagIntflsConfigurable: Error accessing dvlantag config data for interface %d	Отсутствует конфигурация по умолчанию для данного интерфейса. Вероятно, создан новый интерфейс, не имеющий предварительной конфигурации.

### Системное сообщение инициализации IPv6 (IPv6 Provisioning)

<i>Компонент</i>	<i>Сообщение</i>	<i>Причина</i>
<b>IPv6 Provisioning</b>	ipv6ProvIntflsConfigurable: Error accessing IPv6 Provisioning config data for interface %d	Отсутствует конфигурация по умолчанию для данного интерфейса. Вероятно, создан новый интерфейс, не имеющий предварительной конфигурации.

### Системные сообщения MFDB

<i>Компонент</i>	<i>Сообщение</i>	<i>Причина</i>
<b>MFDB</b>	mfdbTreeEntryUpdate: entry does not exist	Попытка обновить несуществующую запись.

## Системные сообщения 802.1Q

Компонент	Сообщение	Причина
802.1Q	dot1qIssueCmd: Unable to send message %d to dot1qMsgQueue for vlan %d - %d msgs in queue	Очередь dot1qMsgQueue переполнена.
802.1Q	dot1qVlanCreateProcess: Attempt to create a vlan with an invalid vlan id %d ; VLAN %d not in range	Использован зарезервированный идентификатор vlan.
802.1Q	dot1qMapIntflsConfigurable: Error accessing DOT1Q config data for interface %d in dot1qMapIntflsConfigurable.	Отсутствует конфигурация по умолчанию для данного интерфейса. Вероятно, создан новый интерфейс, не имеющий предварительной конфигурации.
802.1Q	dot1qVlanDeleteProcess: Deleting the default VLAN	Очистка Vlan и конфигурации.
802.1Q	dot1qVlanMemberSetModify, dot1qVlanTaggedMemberSetModify: Dynamic entry %d can only be modified after it is converted to static	Если информация о данной сети vlan получена через GVRP, управление членством в ней недоступно.
802.1Q	dtl failure when adding ports to vlan id %d - portMask = %s	Не удалось добавить порты в запись VLAN на уровне аппаратного обеспечения.
802.1Q	dtl failure when deleting ports from vlan id %d - portMask = %s	Не удалось удалить порты в запись VLAN на уровне аппаратного обеспечения.
802.1Q	dtl failure when adding ports to tagged list for vlan id %d - portMask = %s	Не удалось добавить порт в список с теговой организацией на уровне аппаратного обеспечения.
802.1Q	dtl failure when deleting ports from tagged list for vlan id %d - portMask = %s"	Не удалось удалить порт из списка с теговой организацией на уровне аппаратного обеспечения.
802.1Q	dot1qTask: unsuccessful return code on receive from dot1qMsgQueue: %08x"	Не удалось получить сообщение dot1q от очереди сообщений dot1q.
802.1Q	Unable to apply VLAN creation request for VLAN ID %d, Database reached MAX VLAN count!	Не удалось создать идентификатор VLAN, база данных VLAN переполнена.
802.1Q	Attempt to create a vlan (%d) that already exists	Создание уже существующего динамического идентификатора VLAN.
802.1Q	DTL call to create VLAN %d failed with rc %d"	Не удалось создать идентификатор сети VLAN на уровне аппаратного обеспечения.
802.1Q	Problem unrolling data for VLAN %d	Не удалось удалить VLAN из базы данных после сбоя создания VLAN на уровне аппаратного обеспечения
802.1Q	Vlan %d does not exist	Не удалось удалить запись VLAN.
802.1Q	Vlan %d requestor type %d does not exist	Не удалось удалить динамический идентификатор сети VLAN, недопустимый запросчик.
802.1Q	Can not delete the VLAN, Some unknown component has taken the ownership!	Не удалось удалить сеть, ресурс используется неизвестным компонентом.
802.1Q	Not valid permission to delete the VLAN %d requestor %d	Не удалось удалить идентификатор VLAN, несовпадение запросчика и состояния записи VLAN.
802.1Q	VLAN Delete Call failed in driver for vlan %d	Не удалось удалить VLAN с аппаратного обеспечения.
802.1Q	Problem deleting data for VLAN %d	Не удалось удалить идентификатор VLAN из базы данных VLAN.
802.1Q	Dynamic entry %d can only be modified after it is converted to static	Не удалось изменить фильтр групп VLAN.

802.1Q	Cannot find vlan %d to convert it to static	Не удалось сконвертировать динамическую сеть VLAN в статичную VLAN. Отсутствует VLAN.
802.1Q	Only Dynamically created VLANs can be converted	Ошибка при попытке конвертации статически созданной VLAN в статичную.
802.1Q	Cannot modify tagging of interface %s to non existence vlan %d"	Ошибка при попытке данного интерфейса установить теги для всех сетей VLAN в маске vlan.
802.1Q	Error in updating data for VLAN %d in VLAN database	Не удалось добавить запись VLAN в базу данных VLAN
802.1Q	DTL call to create VLAN %d failed with rc %d	Не удалось создать запись VLAN на уровне аппаратного обеспечения.
802.1Q	Not valid permission to delete the VLAN %d	Не удалось удалить статичный VLAN ID. Недопустимый запрос.
802.1Q	Attempt to set access vlan with an invalid vlan id %d	Недопустимый идентификатор VLAN.
802.1Q	Attempt to set access vlan with (%d) that does not exist	Отсутствует идентификатор VLAN.
802.1Q	VLAN create currently underway for VLAN ID %d	Попытка создания VLAN, уже находящейся в процессе создания.
802.1Q	VLAN ID %d is already exists as static VLAN	Попытка создания уже существующей статичной VLAN.
802.1Q	Cannot put a message on dot1q msg Queue, Returns:%d	Не удалось отправить сообщение Dot1q в очередь сообщений Dot1q.
802.1Q	Invalid dot1q Interface: %s	Не удалось добавить VLAN к элементу порта.
802.1Q	Cannot set membership for user interface %s on management vlan %d	Не удалось добавить VLAN к элементу порта
802.1Q	Incorrect tagmode for vlan tagging. tagmode: %d Interface: %s	Неверный режим тегирования VLAN.
802.1Q	Cannot set tagging for interface %d on non existent VLAN %d"	Отсутствует идентификатор VLAN.
802.1Q	Cannot set tagging for interface %d which is not a member of VLAN %d	Сбой в настройке конфигурации тегирования для интерфейса в диапазоне VLAN
802.1Q	VLAN create currently underway for VLAN ID %d"	Попытка создания идентификатора VLAN, уже находящегося в процессе создания
802.1Q	VLAN ID %d already exists	Попытка создания уже существующей VLAN.
802.1Q	Failed to delete, Default VLAN %d cannot be deleted	Попытка удаления VLAN по умолчанию.
802.1Q	Failed to delete, VLAN ID %d is not a static VLAN	Попытка удаления динамической VLAN из CLI.
802.1Q	Requestor %d attempted to release internal VLAN %d: owned by %d	-

### Системные сообщения 802.1S

Компонент	Сообщение	Причина
802.1S	dot1sIssueCmd: Dot1s Msg Queue is full!!!!Event: %u, on interface: %u, for instance: %u	Очередь сообщений переполнена.

### Системные сообщения 802.1S

Компонент	Сообщение	Причина
802.1S	dot1sStateMachineRxVpdu(): Rcvd BPDU	Невозможно обработать BPDU в текущих

	Discarded	условиях (запрещен порт или не завершена обработка предыдущего BPDU на том же интерфейсе.
802.1S	dot1sBpduTransmit(): could not get a buffer	Превышение ресурса системных буферов.

### Системное сообщение блокировки портов по MAC-адресам (Port Mac Locking)

Компонент	Сообщение	Причина
Port Mac Locking	pmlMapIntflsConfigurable: Error accessing PML config data for interface %d in pmlMapIntflsConfigurable.	Отсутствует конфигурация по умолчанию для данного интерфейса. Вероятно, создан новый интерфейс, не имеющий предварительной конфигурации.

### Системные сообщения сетей VLAN на основе протоколов (Protocol-based VLANs)

Компонент	Сообщение	Причина
Protocol based VLANs	pbVlanCnfrInitPhase2Process: Unable to register NIM callback	Сбой при попытке nimRegisterIntfChange зарегистрировать pbVlan для изменений состояния канала связи.
Protocol based VLANs	pbVlanCnfrInitPhase2Process: Unable to register pbVlan callback with VLANs	Сбой при попытке VLANRegisterForChange зарегистрировать обратный вызов pbVlan для изменений VLAN.
Protocol based VLANs	pbVlanCnfrInitPhase2Process: Unable to register pbVlan callback with nvStore	Сбой при попытке nvStoreRegister зарегистрировать функции сохранения и восстановления для сохранения конфигурации.

## 14.5 Качество обслуживания

### Системные сообщения ACL

Компонент	Сообщение	Причина
ACL	Total number of ACL rules (x) exceeds max (y) on intf i	Количество требуемых правил, порождаемых совокупностью всех ACL, применяемых к интерфейсу, превосходит возможности платформы.
ACL	ACL name, rule x: This rule is not being logged	В результате конфигурирования ACL требуется зарегистрировать больше правил, чем позволяет платформа. За исключением регистрации заданное правило выполняется в полном объеме.
ACL	aclLogTask: error logging ACL rule trap for correlator number	Система не может отправить трап SNMP с атрибутом записи для данного правила ACL.
ACL	IP ACL number: Forced truncation of one or more rules during config migration	При обработке сохраненной конфигурации система столкнулась с ACL, содержащим большее количество правил, чем поддерживается текущей версией. Возможная причина: программный код обновлен до версии, поддерживающей меньшее количество процедур, чем предыдущая версия.

### Системное сообщение CoS

Компонент	Сообщение	Причина
COS	cosCnfrInitPhase3Process: Unable to apply saved config -- using factory defaults	Компоненту COS не удалось применить сохраненную конфигурацию, использованы заводские настройки.

## Системные сообщения DiffServ

Компонент	Сообщение	Причина
DiffServ	diffserv.c 165: diffServRestore Failed to reset DiffServ. Recommend resetting device	Не удалось очистить текущую конфигурацию: ошибка очистки текущих настроек. Это может привести к нестабильной работе системы, рекомендуется переустановка.
DiffServ	Policy invalid for service intf: policy name, interface x, direction y	Определение политики DiffServ несопоставимо с возможностями заданного интерфейса. Для получения информации об ограничениях конфигурации ознакомьтесь с примечанием к версии платформы.

## 14.6 Маршрутизация/Маршрутизация IPv6

### Системные сообщения ретрансляции DHCP (DHCP Relay)

Компонент	Сообщение	Причина
DHCP Relay	REQUEST hops field more than config value	Агент DHCP Relay обработал DHCP-запрос со значением поля пересылок (HOPS), превышающим сконфигурированное максимальное значение. Агент не будет отправлять сообщение со значением счетчика пересылок, превышающим 4.
DHCP Relay	Request's seconds field less than the config value	Агент DHCP Relay обработал DHCP-запрос со значением поля секунд (SECS), превышающим сконфигурированный минимум разрешенного времени ожидания.
DHCP Relay	processDhcpPacket: invalid DHCP packet type: %u\n	Агент DHCP Relay обработал недопустимый DHCP-пакет. Такие пакеты отвергаются агентом.

### Системные сообщения OSPFv2

Компонент	Сообщение	Причина
OSPFv2	Best route client deregistration failed for OSPF Redist	OSPFv2 регистрируется в менеджере таблицы маршрутизации IPv4 (RTO) для получения уведомлений об изменениях наилучшего маршрута. Если OSPFv2 пытается сняться с учета более одного раза, происходит сбой второго снятия. Сбой безвреден.
OSPFv2	XX_Call() failure in _checkTimers for thread 0x869bcc0	Таймер OSPFv2 сработал, но очередь сообщений для данного события переполнена. Критическая ошибка.
OSPFv2	Warning: OSPF LSDB is 90% full (22648 LSAs).	OSPFv2 ограничивает количество LSA (Link State Advertisements), хранимых в LSDB (Link State Database). При степени заполнения базы данных свыше 90 или 95 процентов OSPFv2 выводит данное предупреждение. Текущий объем базы данных указан в предупреждении.
OSPFv2	The number of LSAs, 25165, in the OSPF LSDB has exceeded the LSDB memory allocation	Данное сообщение выводится OSPFv2 при заполнении базы данных OSPFv2 LSDB. OSPFv2 повторно запускает LSA маршрутизатора с максимальной метрикой всех неотвеченных каналов связи, чтобы другие маршрутизаторы рассчитали пути в обход перегруженного маршрутизатора.
OSPFv2	Dropping the DD packet because of MTU mismatch	OSPFv2 игнорирует DD-пакеты (Database Description packets) с максимальным размером MTU, превышающим IP MTU на интерфейсе, где был получен DD-пакет.
OSPFv2	LSA Checksum error in LsUpdate, dropping LSID 1.2.3.4 checksum 0x1234.	OSPFv2 игнорирует полученное LSA с неверной контрольной суммой.

### Системные сообщения OSPFv3

Компонент	Сообщение	Причина
OSPFv3	Best route client deregistration failed for OSPFv3 Redist	OSPFv3 регистрируется в менеджере таблицы маршрутизации IPv6 (RTO6) для получения уведомлений об изменениях наилучшего маршрута. Если OSPFv3 пытается сняться с учета более одного раза, происходит сбой второго снятия. Сбой безвреден.
OSPFv3	Warning: OSPF LSDB is 90% full (15292 LSAs)	OSPFv3 ограничивает количество LSA (Link State Advertisements), хранимых в базе LSDB (Link State Database). При степени заполнения базы данных свыше 90 или 95 процентов OSPFv3 выводит данное предупреждение. Текущий объем базы данных указан в предупреждении.
OSPFv3	The number of LSAs, 16992, in the OSPF LSDB has exceeded the LSDB memory allocation.	Данное сообщение выводится OSPFv3 при заполнении базы данных OSPFv3 LSDB. OSPFv3 повторно запускает LSA маршрутизатора с R-битом, указывающим на перегрузку маршрутизатора.
OSPFv3	LSA Checksum error detected for LSID 1.2.3.4 checksum 0x34f5. OSPFv3 Database may be corrupted.	OSPFv3 периодически сверяет контрольную сумму каждого LSA с памятью. При несовпадении OSPFv3 выводит данное сообщение.

### Системные сообщения менеджера таблицы маршрутизации (RTO)

Компонент	Сообщение	Причина
RTO	RTO is no longer full. Routing table contains xxx best routes, xxx total routes, xxx reserved local routes.	Если количество наилучших маршрутов падает ниже полного объема, RTO выводит данное уведомление. Количество неудачных добавлений может содержать указание на количество добавлений маршрутов, неудавшихся из-за того, что таблица была заполнена, но на рост данного показателя могут влиять и другие причины.
RTO	RTO is full. Routing table contains xxx best routes, xxx total routes, xxx reserved local routes. The routing table manager stores a limited number of best routes. The count of total routes includes alternate routes, which are not installed in hardware.	Менеджер таблицы маршрутизации ("RTO") хранит ограниченное количество наилучших маршрутов, основанное на возможностях аппаратного обеспечения. RTO выводит данное предупреждение при заполнении таблицы маршрутизации. Счетчик общего количества маршрутов включает альтернативные маршруты, не прописанные на аппаратном уровне.

### Системные сообщения VRRP

Компонент	Сообщение	Причина
VRRP	VRRP packet of size xxx dropped. Min VRRP packet size is xxx; Max VRRP packet size is xxx.	Лавинообразное распространение VRRP-сообщений в данной сети.
VRRP	VR xxx on interface xxx started as xxx	Виртуальный маршрутизатор запустился как главный (Master) или резервный (Backup).
VRRP	This router is the IP address owner for virtual router xxx on interface xxx. Setting the virtual router priority to xxx.	Обновление принадлежности адреса для заданного VR. Если данному маршрутизатору принадлежит адрес VR, приоритет VR устанавливается на максимум (согласно стандарту RFC 3768). Если адрес более не принадлежит маршрутизатору, приоритет обнуляется.

### Системное сообщение ARP

Компонент	Сообщение	Причина
ARP	IP address conflict on interface xxx for IP address yyy. Conflicting host MAC address is zzz.	Обнаружен конфликт адреса на коммутаторе во время принятия ARP-пакета от другого хоста или маршрутизатора.

### Системное сообщение RIP

Компонент	Сообщение	Причина
RIP	RIP: discard response from xxx via unexpected interface	Ответ RIP получен с исходным адресом, не совпадающим с подсетью исходящего интерфейса.

## 14.7 Многоадресная рассылка

### Системные сообщения IGMP/MLD

Компонент	Сообщение	Причина
IGMP/MLD	MGMD Protocol Heap Memory Init Failed; Family – xxx.	Сбой инициализации динамической памяти MGMD (MGMD Heap memory) для семейства с заданным адресом. Сообщение выводится при попытке запуска MGMD.
IGMP/MLD	MGMD Protocol Heap Memory De-Init Failed; Family – xxx.	Сбой деинициализации динамической памяти MGMD (MGMD Heap memory) для семейства с заданным адресом. Сообщение выводится при попытке отключения MGMD (IGMP/MLD). Последующие попытки запуска/отключения MGMD также вернут ошибку.
IGMP/MLD	MGMD Protocol Initialization Failed; Family – xxx.	Сбой последовательности инициализации протокола MGMD. Может быть вызвано недоступностью ресурсов. Сообщение выводится при попытке запуска MGMD.
IGMP/MLD	MGMD All Routers Address - xxx Set to the DTL Mcast List Failed; Mode – xxx, intf – xxx	Сообщение выводится при попытке запуска MGMD.
IGMP/MLD	MGMD All Routers Address - xxx Add to the DTL Mcast List Failed.	Не удалось добавить MGMD All Routers Address в локальный список многоадресного вещания. Многоадресные MGMD-пакеты не будут приниматься приложением.
IGMP/MLD	MGMD All Routers Address – xxx Delete from the DTL Mcast List Failed	Не удалось удалить MGMD All Routers Address из локального списка многоадресного вещания. Многоадресные MGMD-пакеты по-прежнему будут приниматься приложением, несмотря на то, что MGMD отключен.
IGMP/MLD	MLDv2 GroupAddr-[FF02::16] Enable with Interpeak Stack Failed; rtrIfNum - xxx, intf – xxx.	Не удалось зарегистрировать адрес группы (Group Address) в межпиковом стеке (Interpeak stack). Пакеты MLDv2 не будут приниматься приложением.
IGMP/MLD	MGMD Group Entry Creation Failed; grpAddr - xxx, rtrIfNum – xxx.	Не удалось зарегистрировать заданный групповой адрес (Group Address) на заданном интерфейсе маршрутизатора.
IGMP/MLD	MGMD Socket Creation/Initialization Failed for addrFamily – xxx.	Не удалось создать/инициализировать сокет MGMD (сбой MGMD Socket Creation/options Set). Контрольные MGMD-пакеты не могут быть отправлены интерфейсом.

## Системные сообщения IGMP Proxy

Компонент	Сообщение	Причина
IGMP-Proxy/MLD-Proxy	MGMD-Proxy Protocol Initialization Failed; Family – xxx.	Сбой последовательности инициализации протокола MGMD-Proxy. Может быть вызвано недоступностью ресурсов. Сообщение выводится при попытке запуска протокола MGMD-Proxy.
IGMP-Proxy/MLD-Proxy	MGMD-Proxy Protocol Heap Memory De-Init Failed; Family – xxx.	Сбой деинициализации динамической памяти MGMD-Proxy (MGMD-Proxy Heap memory) для семейства с заданным адресом. Сообщение выводится при попытке отключения MGMD-Proxy. Последующие попытки запуска/отключения MGMD-Proxy также вернут ошибку.
IGMP-Proxy/MLD-Proxy	MGMD Proxy Route Entry Creation Failed; grpAddr - xxx, srcAddr – xxx, rtrIfNum – xxx	Не удалось зарегистрировать запись многоадресной перадресации для заданных адресов источника и группы при использовании MGMD-Proxy.

## Системные сообщения PIM-SM

Компонент	Сообщение	Причина
PIMSM	Non-Zero SPT/Data Threshold Rate – xxx is currently Not Supported on this platform	Попытка сконфигурировать предельное значение кратчайшего пути в режиме PIMSM.
PIMSM	PIMSM Protocol Heap Memory Init Failed; Family – xxx	Сбой инициализации динамической памяти PIMSM (PIMSM Heap memory) для семейства с заданным адресом. Сообщение выводится при попытке запуска PIMSM.
PIMSM	PIMSM Protocol Heap Memory De-Init Failed; Family – xxx	Сбой деинициализации динамической памяти PIMSM (PIMSM Heap memory) для семейства с заданным адресом. Сообщение выводится при попытке отключения PIMSM.
PIMSM	PIMSM Protocol Initialization Failed; Family – xxx.	Сбой последовательности инициализации протокола PIMSM. Может быть вызвано недоступностью ресурсов. Сообщение выводится при попытке запуска PIMSM.
PIMSM	PIMSM Protocol De-Initialization Failed; Family – xxx	Сбой последовательности инициализации PIMSM. Сообщение выводится при попытке запуска PIMSM.
PIMSM	PIMSM SSM Range Table is Full.	Таблица диапазона SSM PIMSM заполнена. Протокол не может согласовать новые регистрации SSM.
PIMSM	PIM All Routers Address – xxx Delete from the DTL Mcast List Failed for intf – xxx	Не удалось удалить PIM All Routers Address из локального списка многоадресного вещания. Многоадресные PIM-пакеты по-прежнему будут приниматься приложением, несмотря на то, что PIM отключен.
PIMSM	PIM All Routers Address - xxx Add to the DTL Mcast List Failed for intf – xxx	Не удалось добавить PIM All Routers Address в локальный список многоадресного вещания. Многоадресные PIM-пакеты не будут приниматься приложением.
PIMSM	Mcast Forwarding Mode Disable Failed for intf – xxx.	Сбой Multicast Forwarding Mode Disable. Многоадресные пакеты принимаются приложением даже с отключенным протоколом.
PIMSM	Mcast Forwarding Mode Enable Failed for intf – xxx.	Сбой Multicast Forwarding Mode Enable. Многоадресные пакеты не принимаются приложением даже с включенным протоколом.
PIMSM	PIMSMv6 Socket Memb'ship Enable Failed for rtrIfNum - xxx.	Сбой создания сокета PIMSMv6 (PIMSMv6 Socket Creation/options Set) для IP-стека ядра. Интерфейс не может принимать контрольные пакеты PIM.
PIMSM	PIMSMv6 Socket Memb'ship Disable	Сбой отключения сокета PIMSMv6 (PIMSMv6 Socket



	Failed for rtrIfNum – xxx.	Creation/options Set) для IP-стека ядра. Данный интерфейс будет принимать контрольные PIM-пакеты даже с отключенным протоколом.
<b>PIMSM</b>	PIMSM (S,G,Rpt) Table Max Limit – xxx Reached; Cannot accommodate any further routes.	Таблица многоадресной маршрутизации PIMSM (S,G,Rpt) переполнена и не может согласовывать новые регистрации.
<b>PIMSM</b>	PIMSM (S,G) Table Max Limit - xxx Reached; Cannot accommodate any further routes.	Таблица многоадресной маршрутизации PIMSM (S,G) переполнена и не может согласовывать новые регистрации.
<b>PIMSM</b>	PIMSM (*,G) Table Max Limit - xxx Reached; Cannot accommodate any further routes	Таблица многоадресной маршрутизации PIMSM (*,G) переполнена и не может согласовывать новые регистрации.

### Системные сообщения PIM-DM

<i>Компонент</i>	<i>Сообщение</i>	<i>Причина</i>
<b>PIMDM</b>	PIMDM Protocol Heap Memory Init Failed; Family – xxx.	Сбой инициализации динамической памяти PIMDM (PIMDM Heap memory) для семейства с заданным адресом. Сообщение выводится при попытке запуска протокола PIMDM.
<b>PIMDM</b>	PIMDM Protocol Heap Memory De-Init Failed; Family –xxx.	Сбой деинициализации динамической памяти PIMDM (PIMDM Heap memory) для семейства с заданным адресом. Сообщение выводится при попытке отключения PIMDM. Последующие попытки запуска или отключения PIMDM также вернут ошибку.
<b>PIMDM</b>	PIMDM Protocol Initialization Failed; Family – xxx.	Сбой последовательности инициализации протокола PIMDM. Может быть вызвано недоступностью ресурсов. Сообщение выводится при попытке запуска протокола PIMDM.
<b>PIMDM</b>	PIMDM Protocol De-Initialization Failed; Family – xxx.	Сбой последовательности инициализации протокола PIMDM. Сообщение выводится при попытке запуска протокола PIMDM.
<b>PIMDM</b>	PIM All Routers Address – xxx Delete from the DTL Mcast List Failed for intf – xxx.	Не удалось удалить PIM All Routers Address из локального списка многоадресного вещания. Многоадресные PIM-пакеты по-прежнему будут приниматься приложением, несмотря на то, что PIM отключен.
<b>PIMDM</b>	PIM All Routers Address - xxx Add to the DTL Mcast List Failed for intf – xxx.	Не удалось добавить PIM All Routers Address в локальный список многоадресного вещания. Многоадресные PIM-пакеты не будут приниматься приложением.
<b>PIMDM</b>	Mcast Forwarding Mode Disable Failed for intf – xxx.	Сбой Multicast Forwarding Mode Disable. Многоадресные пакеты принимаются приложением даже с отключенным протоколом.
<b>PIMDM</b>	Mcast Forwarding Mode Enable Failed for intf – xxx.	Сбой Multicast Forwarding Mode Enable. Многоадресные пакеты не принимаются приложением даже с включенным протоколом.
<b>PIMDM</b>	PIMDMv6 Socket Memb'ship Enable Failed for rtrIfNum - xxx.	Сбой создания сокета PIMDMv6 (PIMDMv6 Socket Creation/options Set) для IP-стека ядра. Интерфейс не может принимать контрольные PIM-пакеты.
<b>PIMDM</b>	PIMDMv6 Socket Memb'ship Disable Failed for rtrIfNum – xxx	Сбой отключения сокета PIMDMv6 (PIMDMv6 Socket Creation/options Disable) для IP-стека ядра. Данный интерфейс будет принимать контрольные пакеты PIM даже с отключенным протоколом.
<b>PIMDM</b>	PIMDM FSM Action Invoke Failed; rtrIfNum - xxx Out of Bounds for Event – xxx.	Не удалось запустить FSM PIMDM (PIMDM FSM Action), недопустимый номер интерфейса маршрутизации. В подобных случаях запустить подпрограмму FSM Action невозможно, что приводит к непредви-

		денной работе системы. Имя заданного события позволяет определить имя FSM.
<b>PIMDM</b>	PIMDM Socket Initialization Failed for addrFamily - xxx.	Сбой создания сокета PIMDM (PIMDM Socket Creation/options Set). Контрольные PIM-пакеты не будут отправляться данным интерфейсом.
<b>PIMDM</b>	PIMDMv6 Socket Memb'ship Enable Failed for rtrIfNum - xxx	Сбой приема сокетом пакетов PIMv6. Данное приложение не будет принимать пакеты PIMv6.
<b>PIMDM</b>	PIMDMv6 Socket Memb'ship Disable Failed for rtrIfNum – xxx.	Сбой отключения сокета PIMDMv6 (PIMDMv6 Socket Creation/options Disable) для IP-стека ядра. Данный интерфейс будет принимать контрольные пакеты PIMv6 даже с отключенным протоколом.
<b>PIMDM</b>	PIMDM MRT Table Max Limit - xxx Reached; Cannot accommodate any further routes.	Таблица многоадресной маршрутизации PIMDM (S,G) переполнена и не может согласовывать новые регистрации.

### Системные сообщения DVMRP

<i>Компонент</i>	<i>Сообщение</i>	<i>Причина</i>
<b>DVMRP</b>	DVMRP Heap memory initialization is Failed for the specified address family.	Сообщение выводится при попытке запуска протокола DVMRP.
<b>DVMRP</b>	DVMRP Heap memory de-initialization is Failed for the specified address family	Сообщение выводится при попытке отключения протокола DVMRP. Последующие попытки запуска/отключения DVMRP также вернут ошибку.
<b>DVMRP</b>	DVMRP protocol initialization sequence Failed	Может быть вызвано недоступностью ресурсов. Сообщение выводится при попытке запуска протокола DVMRP.
<b>DVMRP</b>	DVMRP All Routers Address - xxx Delete from the DTL Mcast List Failed for intf – xxx.	Не удалось удалить DVMRP All Routers Address из локального списка многоадресного вещания. Многоадресные DVMRP-пакеты по-прежнему будут приниматься приложением, несмотря на то, что DVMRP отключен.
<b>DVMRP</b>	Mcast Forwarding Mode Disable Failed for intf – xxx.	Сбой отключения режима многоадресной переадресации (Multicast Forwarding mode Disable) для данного интерфейса маршрутизации.
<b>DVMRP</b>	DVMRP All Routers Address - xxx Add to the DTL Mcast List Failed for intf – xxx.	Не удалось добавить DVMRP All Routers Address в локальный список многоадресного вещания. Многоадресные DVMRP-пакеты не будут приниматься приложением.
<b>DVMRP</b>	Mcast Forwarding Mode Enable Failed for intf – xxx.	Сбой запуска режима многоадресной переадресации (Multicast Forwarding mode Enable) для данного интерфейса маршрутизации. Многоадресные пакеты не передаются интерфейсом.
<b>DVMRP</b>	DVMRP Probe Control message Send Failed on rtrIfNum – xxx.	Сбой отправки контрольного сообщения DVMRP Probe. Вероятно, вызов sendto() данного сокета возвращает ошибку. Сосед DVMRP может потеряться среди соседних DVMRP-маршрутизаторов.
<b>DVMRP</b>	DVMRP Prune Control message Send Failed; rtrIfNum – xxx.	Сосед - %s, Исходный адрес - %s, Групповой адрес - %s. Не удалось отправить контрольное сообщение DVMRP Prune. Вероятно, вызов sendto() данного сокета возвращает ошибку. Нежелательный многоадресный трафик по-прежнему принимается и передается.
<b>DVMRP</b>	DVMRP Probe Control message Send Failed on rtrIfNum –xxx.	Сбой отправки контрольного сообщения DVMRP Probe. Вероятно, вызов sendto() данного сокета возвращает ошибку. Сосед DVMRP может потеряться среди соседних DVMRP-маршрутизаторов.

## 14.8 Стекирование

### Системное сообщение EDB

Компонент	Сообщение	Причина
EDB	EDB Callback: Unit Join: <i>num</i> .	Устройство <i>num</i> присоединилось к стеку.

## 14.9 Технологии

### Сообщения об ошибках

Компонент	Сообщение	Причина
Broadcom	Invalid USP unit = <i>x</i> , slot = <i>x</i> , port = <i>x</i>	Не удалось преобразовать порт во время приема.
Broadcom	In hapiBroadSystemMacAddress call to 'bcm_l2_addr_add' - FAILED : <i>x</i>	Не удалось добавить адрес 2-го уровня (L2) в таблицу MAC-адресов. Причины: хэш-коллизия или переполненная таблица.
Broadcom	Failed installing mirror action - rest of the policy applied successfully	Ранее сконфигурированный тестовый порт не используется в данной политике. В примечании к версии указано, что может быть сконфигурирован только один тестовый порт.
Broadcom	Policy <i>x</i> does not contain rule <i>x</i>	Процедура не была включена в политику из-за превышения количества процедур для данной политики. Также сообщение может выводиться при модификации старой процедуры, не входящей в политику.
Broadcom	ERROR: policy <i>x</i> , tmpPolicy <i>x</i> , size <i>x</i> , data <i>x x x x x x x x</i>	Возможно дублирование хэша, не удалось установить политику.
Broadcom	ACL <i>x</i> not found in internal table	Попытка удаления несуществующего списка ACL.
Broadcom	ACL internal table overflow	Попытка добавить ACL в переполненную таблицу.
Broadcom	In hapiBroadQosCosQueueConfig, Failed to configure minimum bandwidth. Available bandwidth <i>x</i>	Попытка сконфигурировать неподдерживаемую ширину полосы пропускания.
Broadcom	USL: failed to put sync response on queue	Ответ на запрос sync не был поставлен в очередь. Возможно, предыдущий запрос был получен с запаздыванием.
Broadcom	USL: failed to sync ipmc table on unit = <i>x</i>	Сбой передачи или потеря сообщения.
Broadcom	usl_task_ipmc_msg_send(): failed to send with <i>x</i>	Сбой передачи или потеря сообщения.
Broadcom	USL: No available entries in the STG table	Таблица групп STG USL переполнена.
Broadcom	USL: failed to sync stg table on unit = <i>x</i>	Не удалось синхронизировать устройство <i>x</i> : сбой передачи или API на удаленном устройстве. Попытки синхронизации будут продолжены
Broadcom	USL: A Trunk doesn't exist in USL	Попытка модификации отсутствующей магистрали.
Broadcom	USL: A Trunk being created by bcmx already existed in USL	Возможна проблема синхронизации приложения, аппаратного обеспечения и уровня синхронизации.
Broadcom	USL: A Trunk being destroyed doesn't exist in USL	Возможна проблема синхронизации приложения, аппаратного обеспечения и уровня синхронизации.
Broadcom	USL: A Trunk being set doesn't exist in USL	Возможна проблема синхронизации приложения, аппаратного обеспечения и уровня синхронизации.
Broadcom	USL: failed to sync trunk table on unit = <i>x</i>	Не удалось синхронизировать устройство <i>x</i> : сбой передачи или API на удаленном устройстве. Попытки синхронизации будут продолжены.
Broadcom	USL: Mcast entry not found on a join	Возможна проблема синхронизации приложения,

		аппаратного обеспечения и уровня синхронизации.
<b>Broadcom</b>	USL: Mcast entry not found on a leave	Возможна проблема синхронизации приложения, аппаратного обеспечения и уровня синхронизации.
<b>Broadcom</b>	USL: failed to sync dVLAN data on unit = x	Не удалось синхронизировать устройство x: сбой передачи или API на удаленном устройстве. Попытки синхронизации будут продолжены.
<b>Broadcom</b>	USL: failed to sync policy table on unit = x	Не удалось синхронизировать устройство x: сбой передачи или API на удаленном устройстве. Попытки синхронизации будут продолжены.
<b>Broadcom</b>	USL: failed to sync VLAN table on unit = x	Не удалось синхронизировать устройство x: сбой передачи или API на удаленном устройстве. Попытки синхронизации будут продолжены.
<b>Broadcom</b>	Invalid LAG id x	Вероятно, проблема синхронизации драйвера BCM и NAPI.
<b>Broadcom</b>	Invalid uport calculated from the BCM uport bcmx_l2_addr->lport = x	Преобразователь портов (Uport) недопустим для драйвера BCM.
<b>Broadcom</b>	Invalid USP calculated from the BCM uport\nbcmx_l2_addr->lport = x	Невозможно считать USP с события для драйвера BCM.
<b>Broadcom</b>	Unable to insert route R/P	Маршрут R с префиксом P не может быть введен в таблицу маршрутов аппаратного обеспечения. Последует повторная попытка.
<b>Broadcom</b>	Unable to Insert host H	Хост H не может быть введен в таблицу хостов аппаратного обеспечения. Последует повторная попытка.
<b>Broadcom</b>	USL: failed to sync L3 Intf table on unit = x	Не удалось синхронизировать устройство x: сбой передачи или API на удаленном устройстве. Попытки синхронизации будут продолжены.
<b>Broadcom</b>	USL: failed to sync L3 Host table on unit = x	Не удалось синхронизировать устройство x: сбой передачи или API на удаленном устройстве. Попытки синхронизации будут продолжены.
<b>Broadcom</b>	USL: failed to sync L3 Route table on unit = x	Не удалось синхронизировать устройство x: сбой передачи или API на удаленном устройстве. Попытки синхронизации будут продолжены.
<b>Broadcom</b>	USL: failed to sync initiator table on unit = x	Не удалось синхронизировать устройство x: сбой передачи или API на удаленном устройстве. Попытки синхронизации будут продолжены.
<b>Broadcom</b>	USL: failed to sync terminator table on unit = x	Не удалось синхронизировать устройство x: сбой передачи или API на удаленном устройстве. Попытки синхронизации будут продолжены.
<b>Broadcom</b>	USL: failed to sync ip-multicast table on unit = x	Не удалось синхронизировать устройство x: сбой передачи или API на удаленном устройстве. Попытки синхронизации будут продолжены.

## 14.10 Поддержка ОС

### Системное сообщение Linux BSP

Компонент	Сообщение	Причина
Linux BSP	rc = 10	Второе сообщение, регистрируемое при загрузке ОС, сразу после <i>Starting code.... Always (Запуск кода... Без изменений)</i> .

### Системные сообщения OSAPI Linux

Компонент	Сообщение	Причина
OSAPI Linux	osapiNetLinkNeighDump: could not open socket! - or - ipstkNdpFlush:	Невозможно открыть сокет NetLink®. Убедитесь, что "Поддержка ARP-демона"

	could not open socket! – or – osapiNetlinkDumpOpen: unable to bind socket! errno = XX	(CONFIG_ARPD) разрешена для ядра Linux, е- сли не используется двоичная система обраще- ния к ядру.
<b>OSAPI Linux</b>	ipstkNdpFlush: sending delete failed	Сбой команды ядру на удаление точки входа из таблицы соседей (некорректное сообще- ние).
<b>OSAPI Linux</b>	unable to open /proc/net/ipv6/conf/default/hop_limit	Объекты IPv6 MIB прочитаны, но не установ- лена файловая система /proc либо действую- щее ядро не поддерживает IPV6.
<b>OSAPI Linux</b>	osapimRouteEntryAdd, errno XX adding 0xYY to ZZ – or – osapimRouteEntryDelete, errno XX deleting 0xYY from ZZ	Ошибка при добавлении или удалении мар- шрута IPv4 (указан в шестнадцатеричном фор- мате как YY), на данном интерфейсе ZZ с уста- новленной ОС Linux. Код ошибки содержится в errno.h.
<b>OSAPI Linux</b>	l3intfAddRoute: Failed to Add Route – or – l3intfDeleteRoute: Failed to Delete Route	Ошибка при создании или удалении шлюза по умолчанию в/из таблицы маршрутизации ядра (функция osapiRawMRouteAdd()/Delete()).
<b>OSAPI Linux</b>	osapiNetIfConfig: ioctl on XX failed: addr: 0xYY, err: ZZ – or – osapiNetIPSet: ioctl on XX failed: addr: 0x%YY	Сбой при попытке присвоения IP-адреса (в шестнадцатеричном формате как YY) интер- фейсу с установленной ОС Linux, данный ин- терфейс отсутствует. Иногда эта ошибка без- вредна для работы системы (к примеру, по- пытка присвоить адрес 0 во время обработки протоколом DHCP сетевого порта (dtl0) при начальной загрузке до создания тест-порта).
<b>OSAPI Linux</b>	ping: sendto error	Проблема при отправке с пользовательского интерфейса пакета эхо-запроса ICMP при вы- полнении команды ping. Возможно, отсутству- ет маршрут к данной сети
<b>OSAPI Linux</b>	Failed to Create Interface	Недостаточно памяти, идет инициализация системы.
<b>OSAPI Linux</b>	TAP Unable to open XX	Отсутствует файл /dev/tap или, если не ис- пользуется двоичная система обращения к ядру, у ядра отсутствует “Поддержка универ- сального драйвера устройств TUN/TAP” (CONFIG_TUN).
<b>OSAPI Linux</b>	Tap monitor task is spinning on select failures – then – Tap monitor select failed: XX.	Проблема чтения устройства /dev/tap: озна- комьтесь с сообщением ошибки XX для полу- чения дополнительной информации.
<b>OSAPI Linux</b>	Log_Init: log file error - creating new log file	Во флэш-памяти отсутствует файл “event log” во флэш-памяти, либо его контрольная сумма неверна.
<b>OSAPI Linux</b>	Log_Init: Flash (event) log full; erasing	Файл журнала событий был очищен во время загрузки.
<b>OSAPI Linux</b>	Log_Init: Corrupt event log; erasing	В файле журнала событий запись следует за «пустой» записью, сбой организации данных.
<b>OSAPI Linux</b>	Failed to Set Interface IP Address – or – IP Netmask – or – Broadcast Address – or – Flags – or – Hardware Address – or – Failed to Retrieve Interface Flags	Ошибка при добавлении IP- или MAC-адреса протокола VRRP интерфейсу сети Linux.

---

## ТЕХНИЧЕСКАЯ ПОДДЕРЖКА

Для получения технической консультации по вопросам эксплуатации оборудования ТОО «ЭлтексАлатау» Вы можете обратиться в Сервисный центр компании:

050032, Республика Казахстан, г. Алматы, мкр-н. Алатау, ул. Ибрагимова 9

Телефон:

+7(727) 220-76-10, +7 (727) 220-76-07

E-mail: [post@eltexalatau.kz](mailto:post@eltexalatau.kz)

На официальном сайте компании Вы можете найти техническую документацию и программное обеспечение для продукции ТОО «ЭлтексАлатау», обратиться к базе знаний, проконсультироваться у инженеров Сервисного центра на техническом форуме.

Официальный сайт компании: <http://eltexalatau.kz>