

- L2+ switches
- Stacking support
- Multicast support (IGMP Snooping, MVR)
- Advanced security functions (L2-L4 ACL, IP Source Guard, Dynamic ARP Inspection, etc.)

The new generation of MES access switches are managed L2+ switches which have 24 or 48 10/100/1000BASE-T ports with PoE/PoE+ support and 4 10GBASE-R (SFP+)/1000BASE-X (SFP) ports.

The switches are designed to connect end users to large-scale, medium and small enterprise networks and to service provider networks using 1G/10G Ethernet interfaces.

The switches support physical stacking, VLANs and multicast groups, as well as advanced security features.



MES2324P



MES2348P

	MES2324P	MES2348P
<b>Common parameters</b>		
Packet processor	Marvell 98DX3236	Marvel 2x98DX3236
<b>Interfaces</b>		
10/100/1000BASE-T (RJ-45) PoE/PoE+	24	48
10GBASE-R (SFP+)/1000BASE-X (SFP)	4	4
Console port	RS-232/RJ-45	RS-232/RJ-45
<b>Performance</b>		
Bandwidth	128 Gbps	176 Gbps
Buffer memory	12 Mb	24 Mb
MAC table	16K	
VLAN table	4K	
Quality of Service (QoS)	8 egress queues per port	
TCAM	For routing: 1024xIPv4 For traffic processing: 1024x24 B	
Maximum Jumbo frames size	10240 B	
Stacking	Up to 8 units	

## Features and capabilities

### Interfaces functions

- Head-of-line blocking (HOL) prevention
- Back Pressure
- Auto MDI/MDIX
- Jumbo Frames support
- IEEE 802.3X Flow control
- Port Mirroring

### MAC table functions

- Independent learning mode per VLAN
- MAC Multicast Support
- Configurable aging time of MAC addresses per VLAN
- Static MAC Entries

### VLAN functions

- Voice VLAN
- 802.1Q
- Q-in-Q
- Selective Q-in-Q
- GVRP

### L2 Multicast functions

- Multicast profiles
- Static Multicast groups
- IGMP Snooping v1,2,3
- Port/host-based IGMP Snooping Fast Leave
- IGMP authorization via RADIUS
- MLD Snooping v1,2
- IGMP Querier
- MVR

### L2 functions

- STP (Spanning Tree Protocol, IEEE 802.1d)
- RSTP (Rapid Spanning Tree Protocol, IEEE 802.1w)
- MSTP (Multiple Spanning Tree Protocol, IEEE802.1s)
- STP Multiprocess
- Spanning Tree Fast Link option
- EAPS<sup>1</sup>
- STP Root Guard
- BPDU Filtering
- STP BPDU Guard
- Loopback Detection (LBD)
- ERPS (G.8032v2)

### Link Aggregation functions

- Static LAG
- Dynamic LAG (LACP)
- LAG Balancing Algorithm

### IPv6 functions

- IPv6 Host
- Dual-stack

### Service functions

- Virtual Cable Testing (VCT)
- Optical transceiver diagnostics
- Green Ethernet

### Security functions

- DHCP Snooping
- DHCP Option 82
- IP Source Guard
- Dynamic ARP Inspection
- sFlow
- MAC-based authentication, Port Security, Static MAC entries
- Port-based authentication IEEE 802.1x
- Guest VLAN
- DoS attack prevention
- Traffic segmentation
- Protection against non-authorized DHCP servers
- DHCP clients filtering
- BPDU attacks prevention
- NetBIOS/NetBEUI filtering
- PPPoE Intermediate Agent

### ACL (Access Control Lists)

- L2-L3-L4 ACL
- Time-Based ACL
- IPv6 ACL
- ACL based on:
  - Physical port number
  - IEEE 802.1p
  - VLAN ID
  - Ethertype
  - DSCP
  - Protocol type
  - TCP/UDP port number
  - User Defined Bytes

### Quality of Service (QoS) and rate limiting

- QoS statistics
- Shaping, Policing
- IEEE 802.1p Class of Service (CoS)
- Storm Control
- Bandwidth management
- Scheduling algorithms: Strict Priority/Weighted Round Robin (WRR)
- Three marking colors
- ACL-based CoS/DSCP assignment

### OAM/CFM

- 802.3ah Ethernet Link OAM
- Dying Gasp
- 802.1ag Connectivity Fault Management (CFM)<sup>1</sup>
- 802.3ah Unidirectional Link Detection

<sup>1</sup> Not supported in the current firmware version 4.0.6

## Features and capabilities

### Main management functions

- Download and upload of configuration file via TFTP/SCP
- SNMP
- Command Line Interface (CLI)
- Web interface
- Syslog
- SNTP (Simple Network Time Protocol)
- Traceroute
- LLDP (802.1ab) + LLDP MED
- Access control – privilege levels
- Management interface blocking
- Local authentication
- IP addresses filtering for SNMP
- RADIUS and TACACS+ (Terminal Access Controller Access Control System) clients
- SSH server
- SSL
- Macrocommands
- CLI commands logging
- DHCP autoprovision
- DHCP Relay (IPv4 support)
- DHCP Option 12
- DHCP Relay Option 82
- PPPoE Circuit-ID tag
- Flash File System
- Debugging commands
- Rate limit of traffic to CPU
- Password encryption
- Password recovery
- Ping (IPv4/IPv6 support)
- FTP server<sup>1</sup>

### Monitoring functions

- Interface statistics
- RMON/SMON
- CPU utilization monitoring per tasks
- Temperature monitoring
- TCAM utilization monitoring

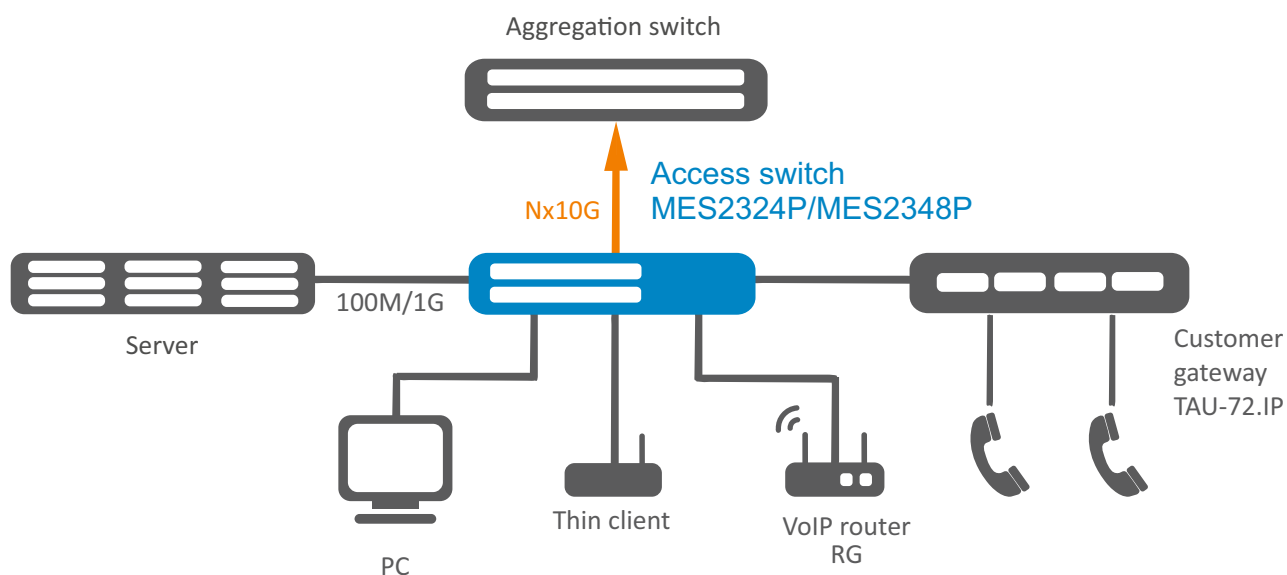
### MIB



- RFC 1065, 1066, 1155, 1156, 2578 MIB Structure
- RFC 1212 Concise MIB Definitions
- RFC 1213 MIB II
- RFC 1215 MIB Traps Convention
- RFC 1493, 4188 Bridge MIB
- RFC 1157, 2571-2576 SNMP MIB
- RFC 1901-1908, 3418, 3636, 1442, 2578 SNMPv2 MIB
- RFC 271,1757, 2819 RMON MIB
- RFC 2465 IPv6 MIB
- RFC 2466 ICMPv6 MIB
- RFC 2737 Entity MIB
- RFC 4293 IPv6 SNMP Mgmt Interface MIB
- Private MIB
- RFC 3289 DIFFSERV MIB
- RFC 2021 RMONv2 MIB
- RFC 1398, 1643, 1650, 2358, 2665, 3635 Ether-like MIB
- RFC 2668 802.3 MAU MIB
- RFC 2674, 4363 802.1p MIB
- RFC 2233, 2863 IF MIB
- RFC 2618 RADIUS Authentication Client MIB
- RFC 4022 MIB для TCP
- RFC 4113 MIB для UDP
- RFC 3298 MIB для Diffserv
- RFC 2620 RADIUS Accounting Client MIB
- RFC 2925 Ping & Traceroute MIB
- RFC 768 UDP
- RFC 791 IP
- RFC 792 ICMPv4
- RFC 2463, 4443 ICMPv6
- RFC 4884 Extended ICMP for Multi-Part messages support
- RFC 793 TCP
- RFC 2474, 3260 DS field in the IPv4 and IPv6 header
- RFC 1321, 2284, 2865, 3580, 3748 Extensible Authentication Protocol (EAP)
- RFC 2571, RFC2572, RFC2573, RFC2574 SNMP
- RFC 826 ARP

<sup>1</sup> Not supported in the current firmware version 4.0.6

	MES2324P	MES2348P
<b>Technical features</b>		
Maximum power consumption	410 W (including PoE)	1600 W (including PoE)
Power supply	220 VAC, 50 Hz	
Operating temperature	from -20 to +50°C	
Storage temperature	from -40 to +70°C	
Operating humidity	80% max.	
Cooling	active cooling	
Form factor	19", 1U	
Dimensions (WxDxH)	440 x 203 x 44	440 x 490 x 44

Application diagram



Name	Description	Image
MES2324P AC	Ethernet switch MES2324P, 24 10/100/1000BASE-T (RJ-45) ports with PoE/PoE+ support, 4 10GBASE-R (SFP+)/1000BASE-X (SFP) ports, L2+, 220 VAC	
MES2348P AC	Ethernet switch MES2348P, 48 10/100/1000BASE-T (RJ-45) ports with PoE/PoE+ support, 4 10GBASE-R(SFP+)/1000BASE-X (SFP) ports, L2+, 220 VAC	

Related products

**EMS-MES-access** Option EMS-MES-access of Eltex.EMS system for management and monitoring of Eltex network elements: 1 network element - access switch

Contact Us

  
+7 (727) 320 18 38

  
info@eltexalatau.kz

  
www.eltexalatau.kz

About EltexAlatau

**EltexAlatau** company is one of the first communication equipment manufacturers in Kazakhstan established in 2012. The main focus of the enterprise is a set of solutions and the opportunity of their seamless connection to the customer's infrastructure.